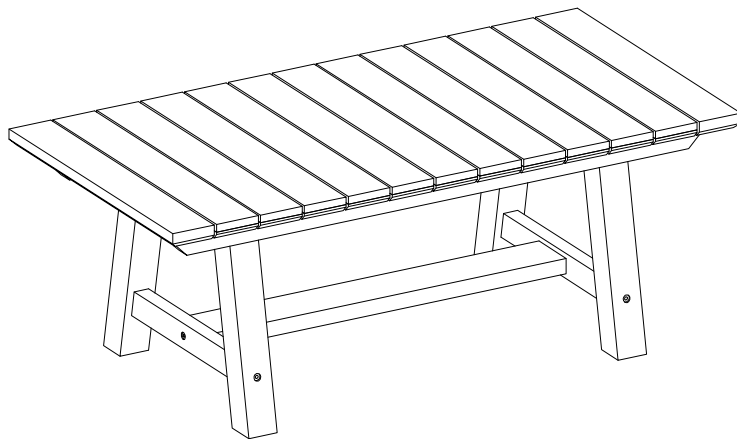


# Instruction Manual

120cm Rectangular Coffee Table, Brushed Light Acacia



# CONTENTS

---

Safety and care advice	<b>1</b>
Components	<b>2</b>
Assembly instructions	<b>4</b>
Copyright	<b>8</b>

---

## ⚠ SAFETY AND CARE ADVICE ⚠

---

### PLEASE READ THESE INSTRUCTIONS CAREFULLY AND KEEP FOR FUTURE REFERENCE

- **Warning:** Please lift with care.
- Check you have all the components and tools listed on pages 2 and 3.
- Remove all fittings from the plastic bags and separate them into their groups.
- Keep children and animals away from the work area, small parts could choke if swallowed.
- Make sure you have enough space to lay out the parts before starting.
- Do not stand or put weight on the product, this could cause damage.
- Assemble the item as close to its final position (in the same room) as possible.
- Assemble on a soft level surface to avoid damaging the unit or your floor (use opened out unit carton).



- We do not recommend the use of power drill/drivers **for inserting screws**, as this could damage the unit. Only use hand screwdrivers.
- Dispose of all packaging carefully and responsibly.

## CARE AND MAINTENANCE

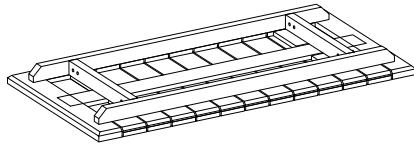
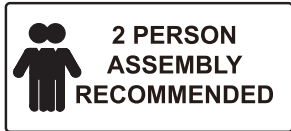
---

- Only clean using a damp cloth and mild detergent, do not use bleach or abrasive cleaners.
- From time to time check that there are no loose screws on this unit.
- This product should not be discarded with household waste. Take to your local authority waste disposal center.

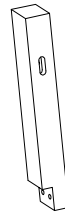
**Note** *If required the next page can be cut out and used as reference throughout the assembly. Keep this page with these instructions for future reference.*

# COMPONENTS

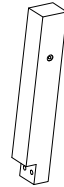
Please check you have all the panels listed below:



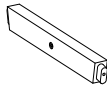
① X1



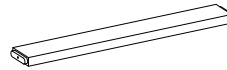
② X2



③ X2



④ X2



⑤ X1

1. Table Top	x 1pc	4. Side Stretcher	x 2pcs
2. Leg 1	x 2pcs	5. Middle Stretcher	x1pc
3. Leg 2	x 2pcs		



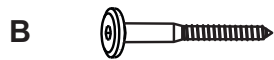
# COMPONENTS

---

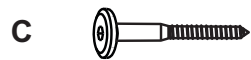
Please check you have all the fittings listed below:



Bolt ( $\Phi 8 \times 55 \text{mm}$ ) x 8 (+2)



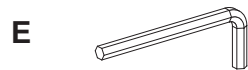
Screw ( $\Phi 7 \times 80 \text{mm}$ ) x 4 (+1)



Screw ( $\Phi 7 \times 60 \text{mm}$ ) x 2 (+1)



Nut ( $\Phi 8 \times 15 \text{mm}$ ) x 8 (+2)



Allen key x 2





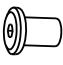

Hole Cover x 6 (+1)

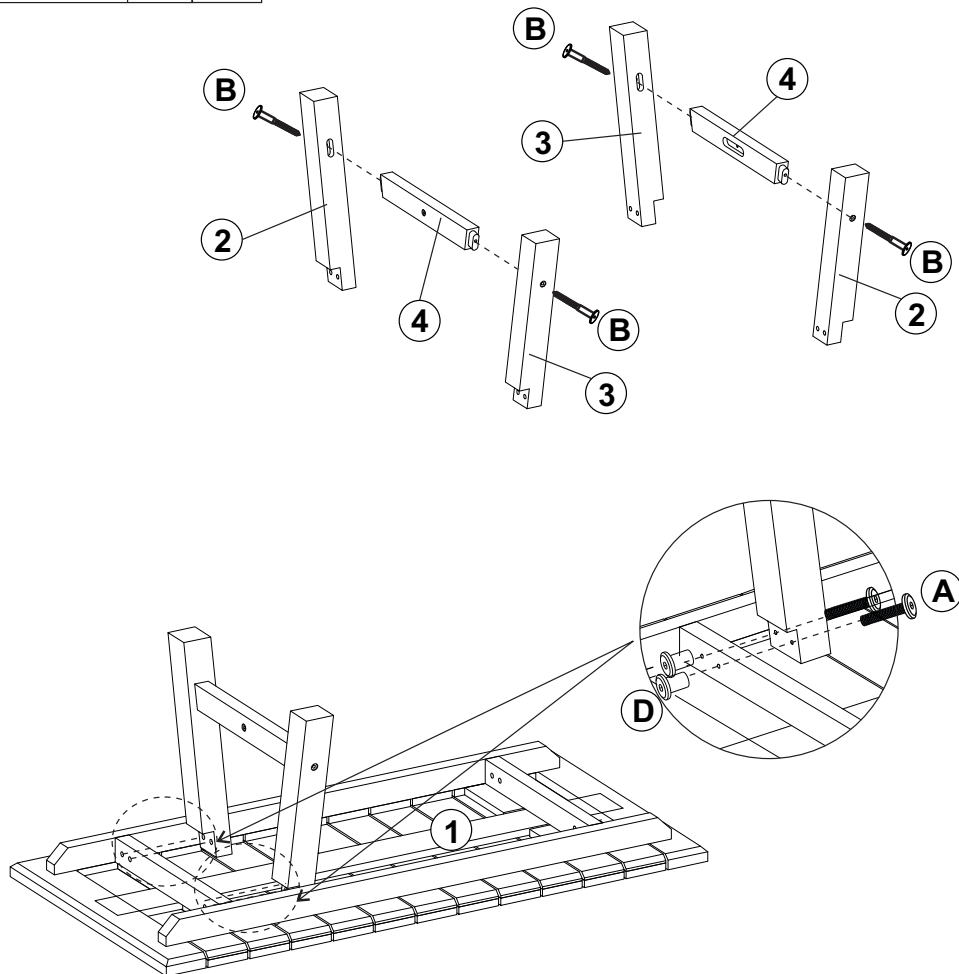


# ASSEMBLY INSTRUCTIONS

---

## Step 1



A		4
B		4
D		4
E		2

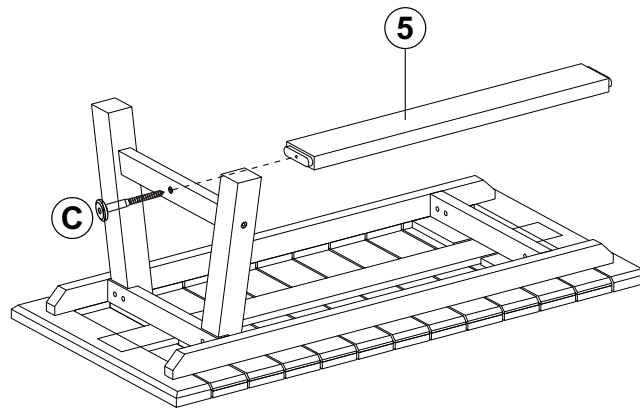


# ASSEMBLY INSTRUCTIONS





---

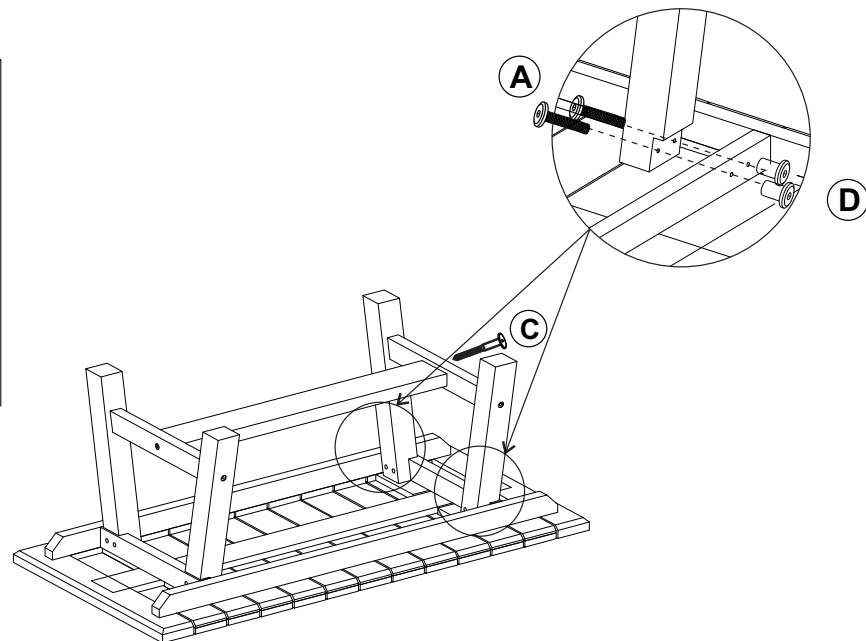
## Step 2

C		1	
E		1	



## Step 3

A		4	
C		1	
D		4	
E		2	




Congratulations! Now you have finished assembling the product.

# ASSEMBLY INSTRUCTIONS

---

## Step 4

F		6	
---	---	---	--

