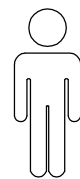
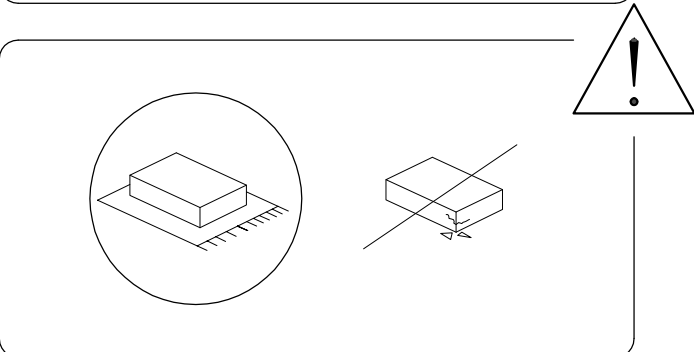
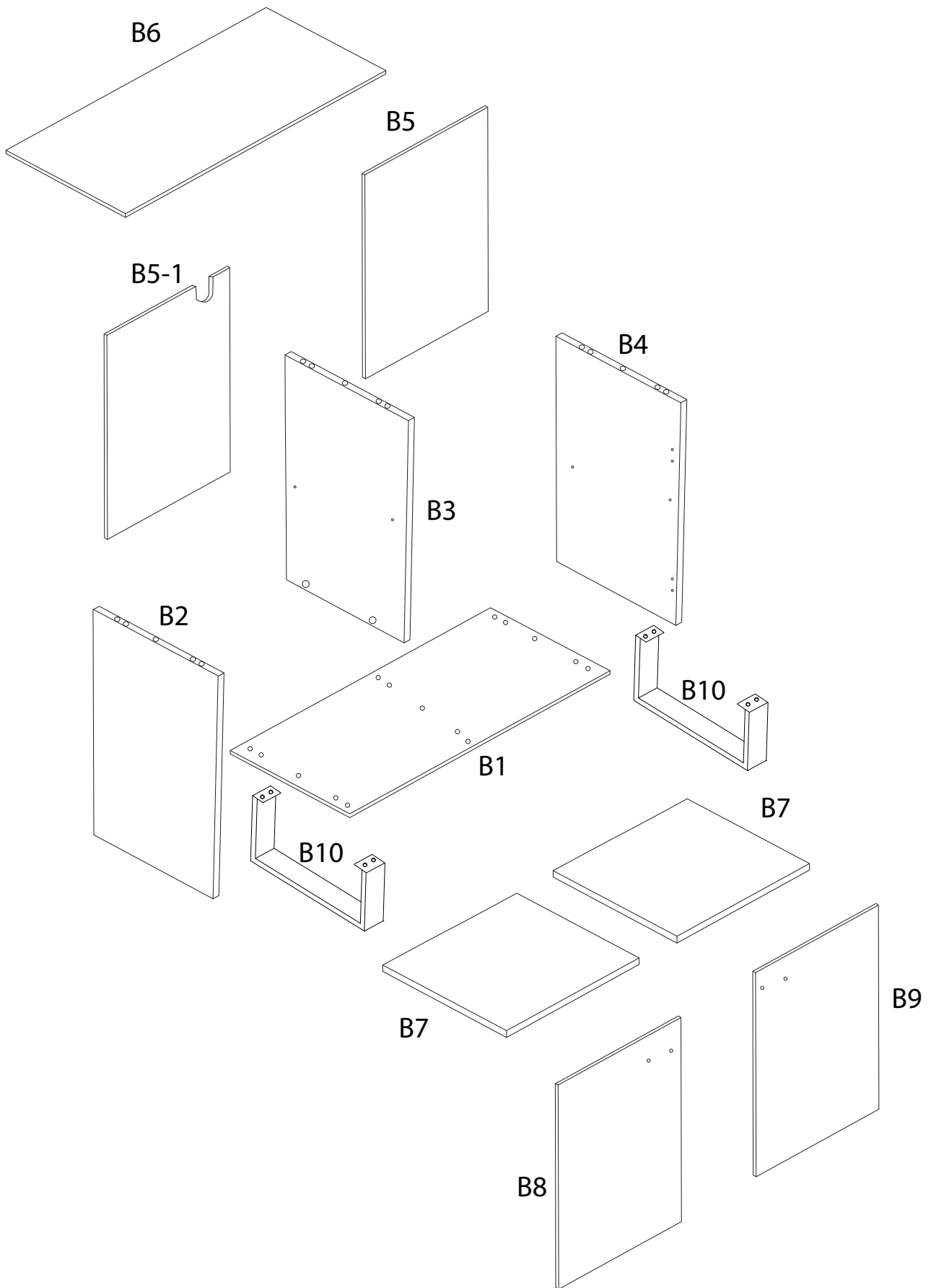


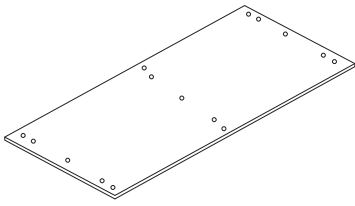
60'



1



B1



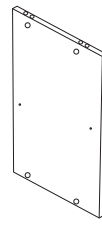
x 1

B2



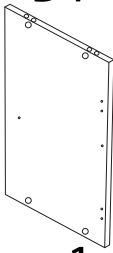
x 1

B3



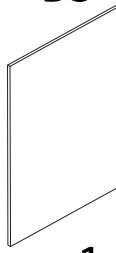
x 1

B4



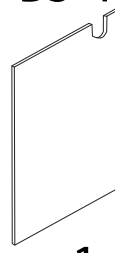
x 1

B5



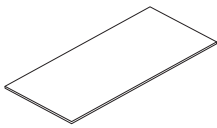
x 1

B5-1



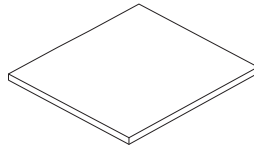
x 1

B6



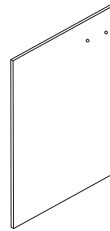
x 1

B7



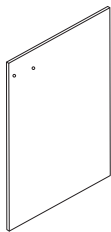
x 2

B8



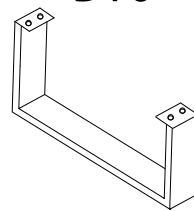
x 1

B9



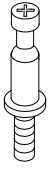
x 1

B10



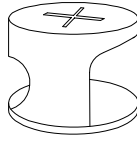
x 2

A



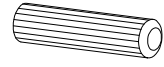
x 6

B



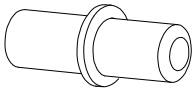
x 6

C



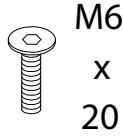
x 12

D



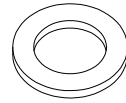
x 8

E



x 9

F



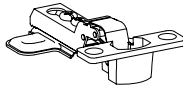
x 9

G



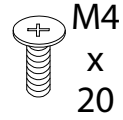
x 1

H



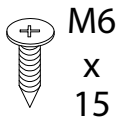
x 4

I



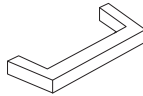
x 4

J



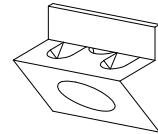
x 32

K



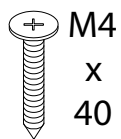
x 2

L



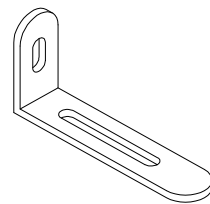
x 8

M



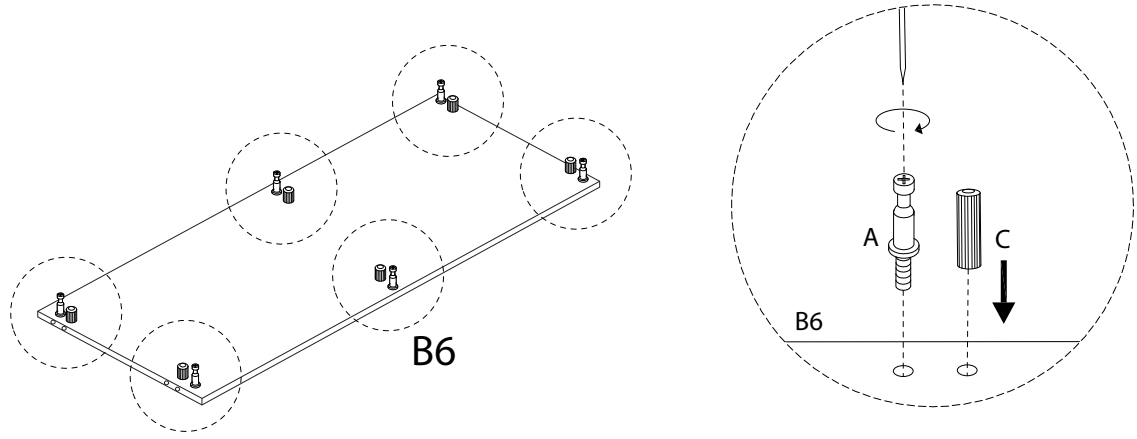
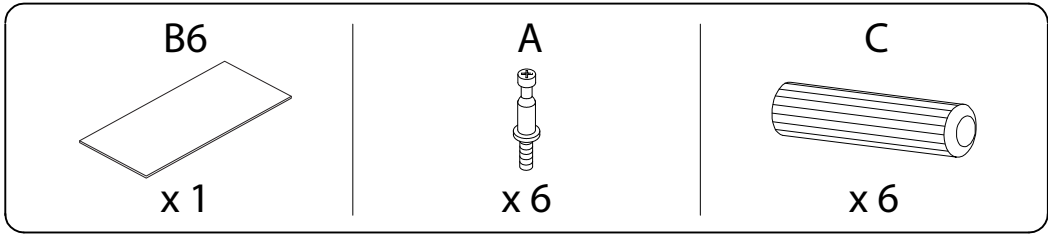
x 9

N

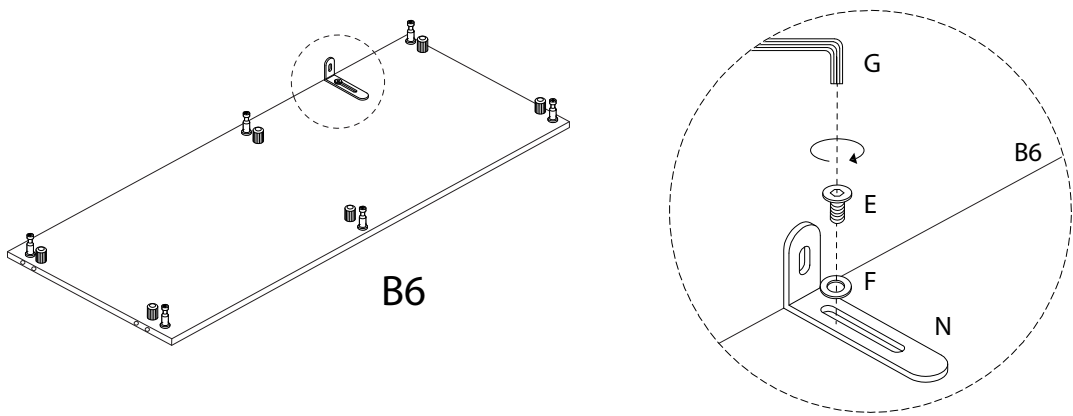
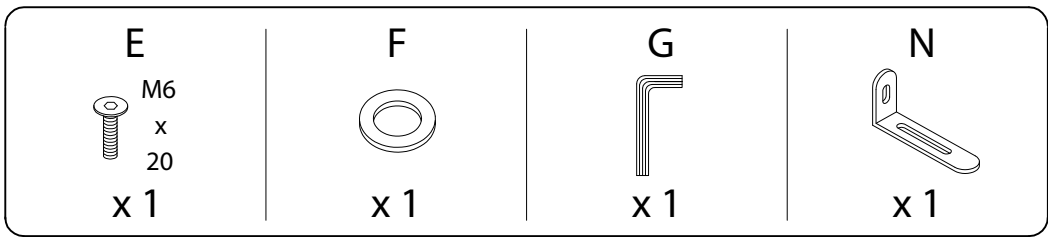


x 1

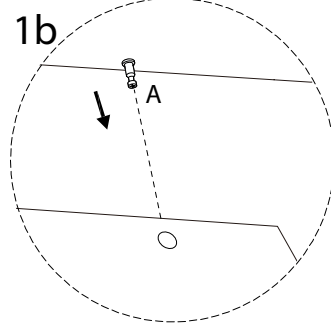
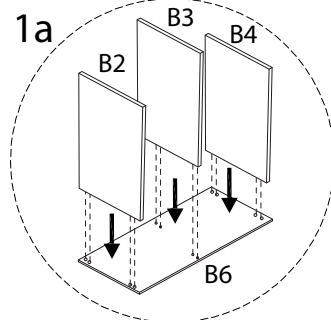
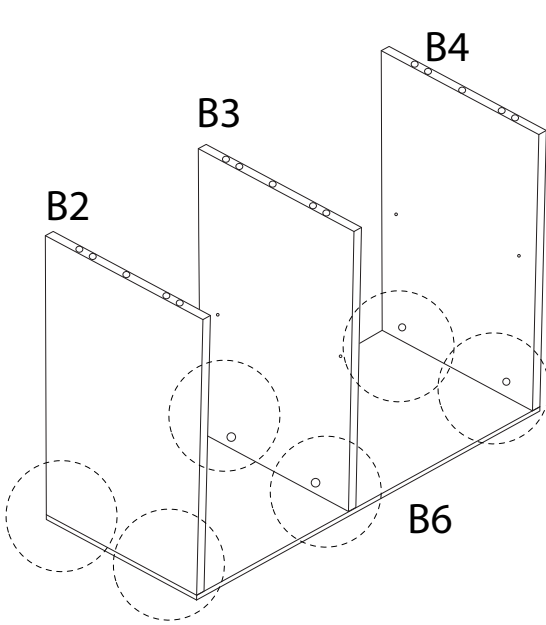
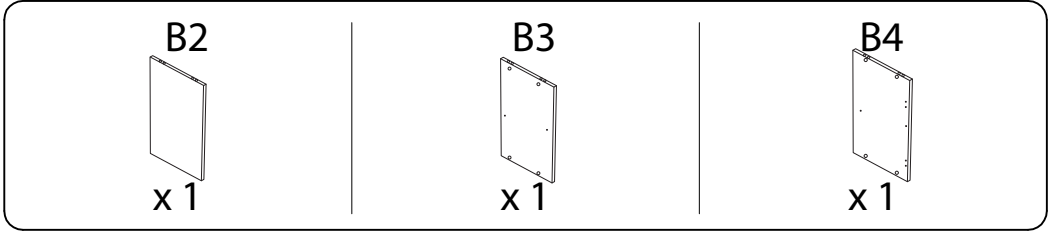
1



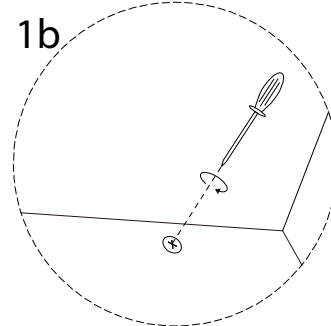
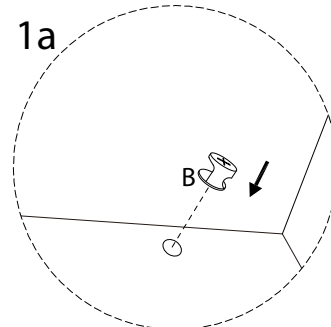
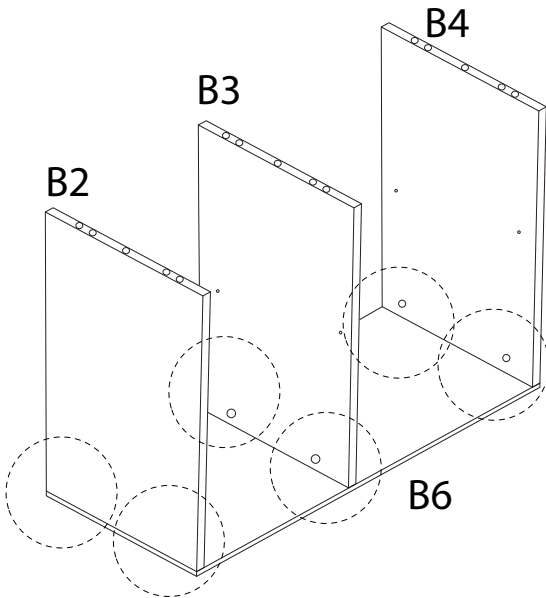
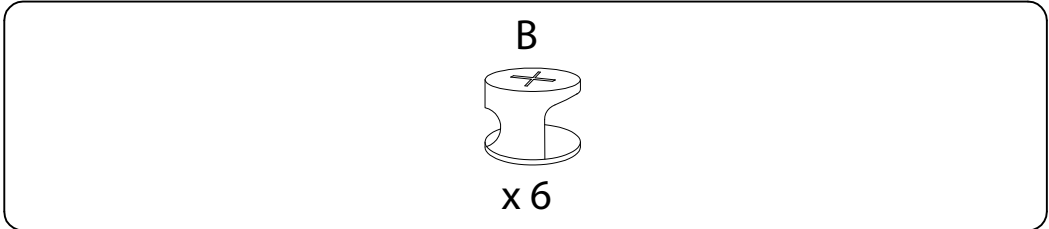
2



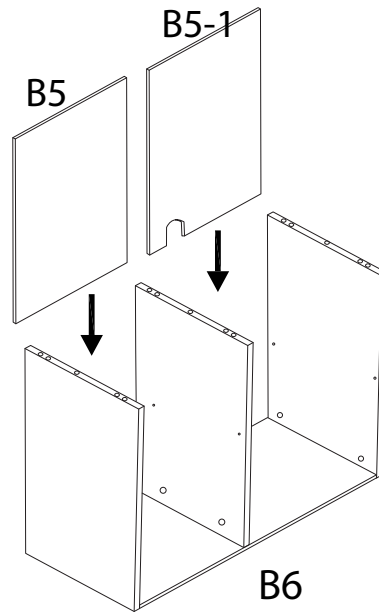
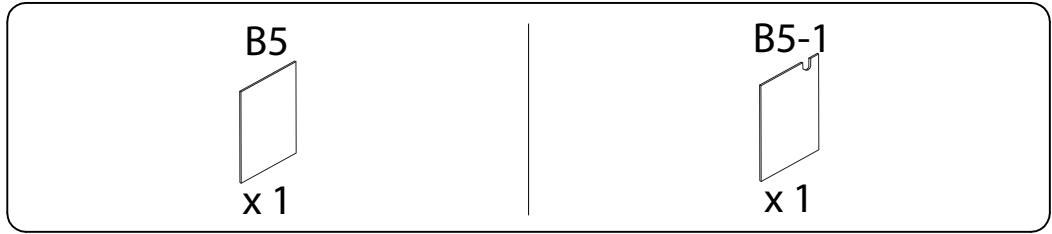
3



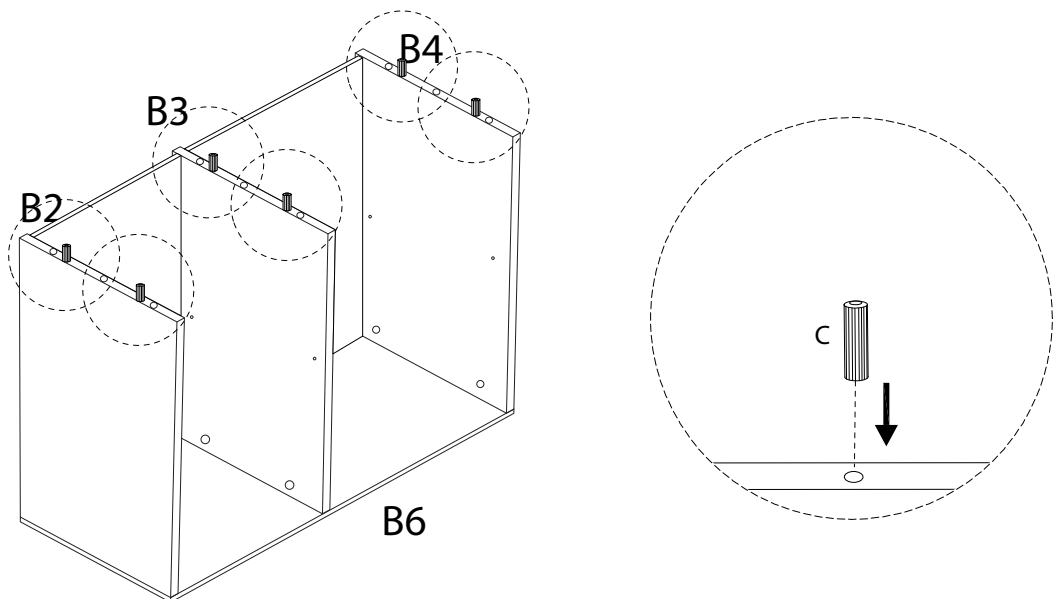
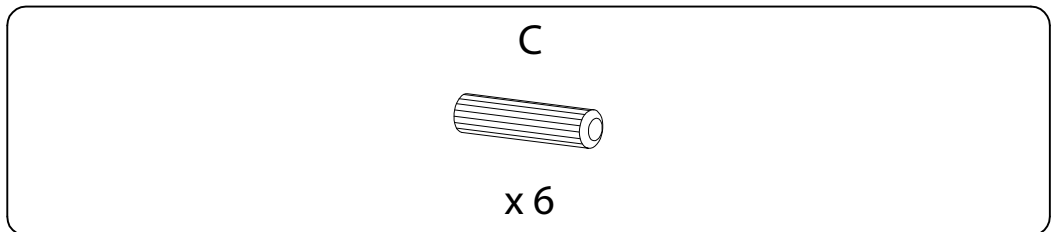
4



5

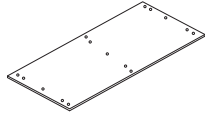


6



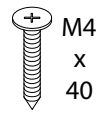
7

B1

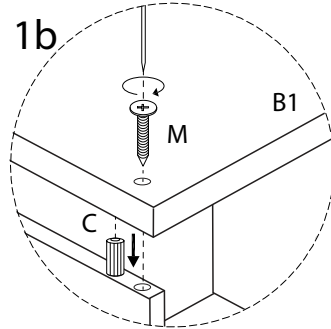
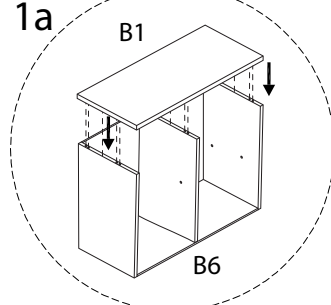
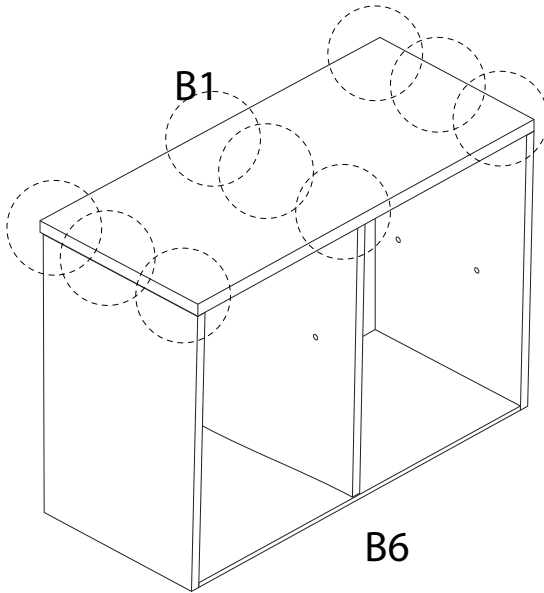


x 1

M

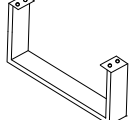


x 9



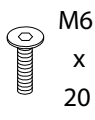
8

B10



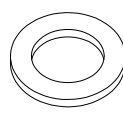
x 2

E



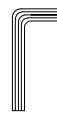
x 8

F

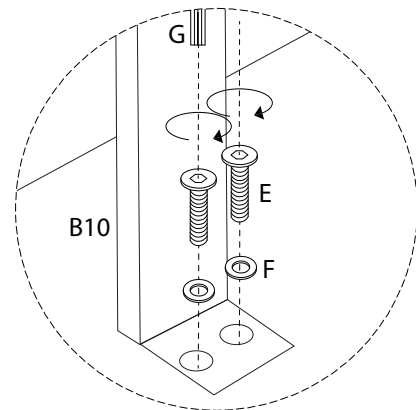
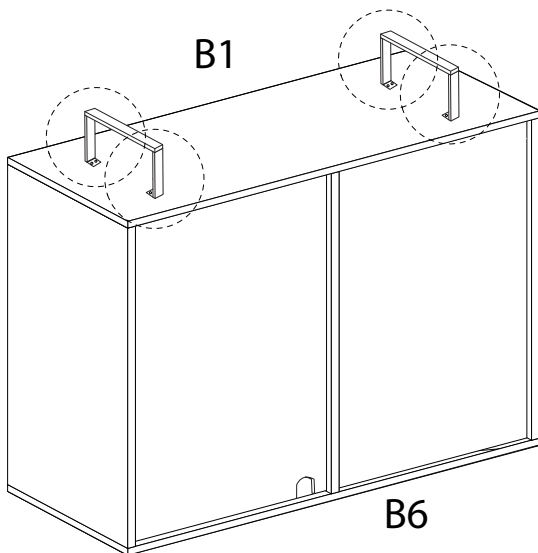


x 8

G

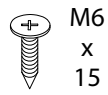


x 1



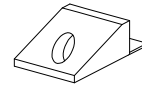
9

J

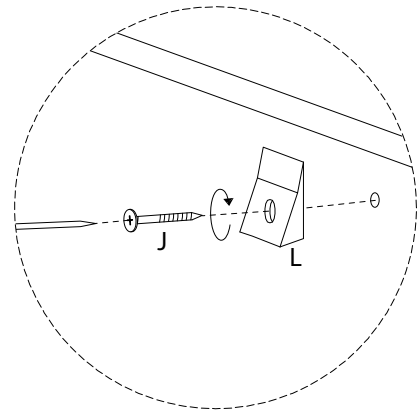
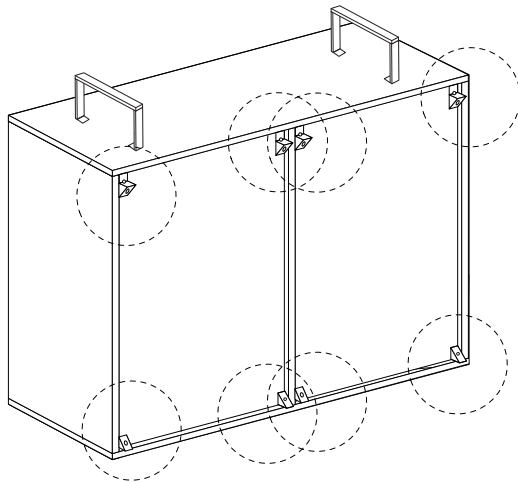


x 8

L

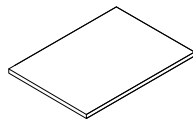


x 8



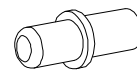
10

B7

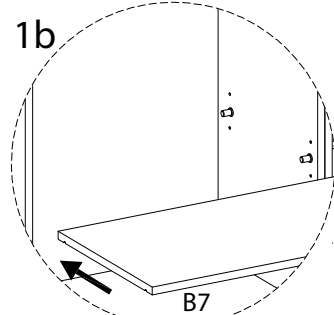
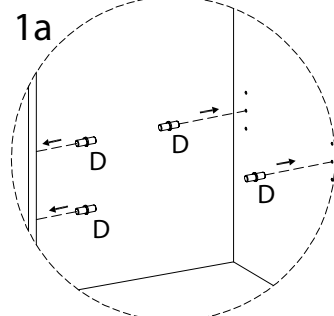
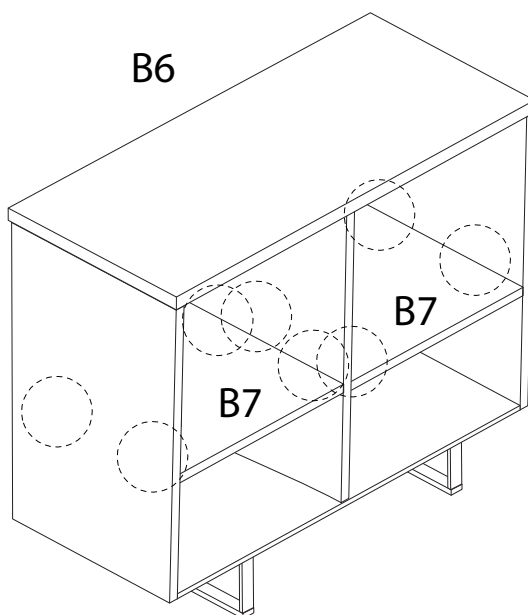


x 2

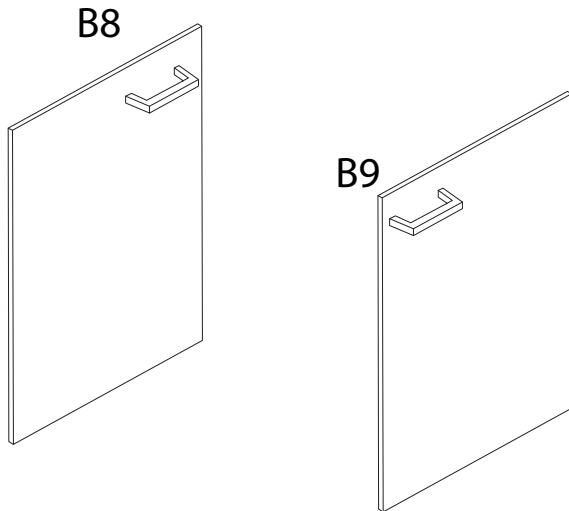
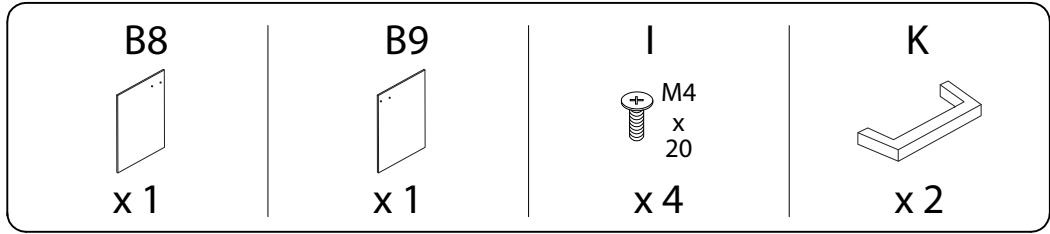
D



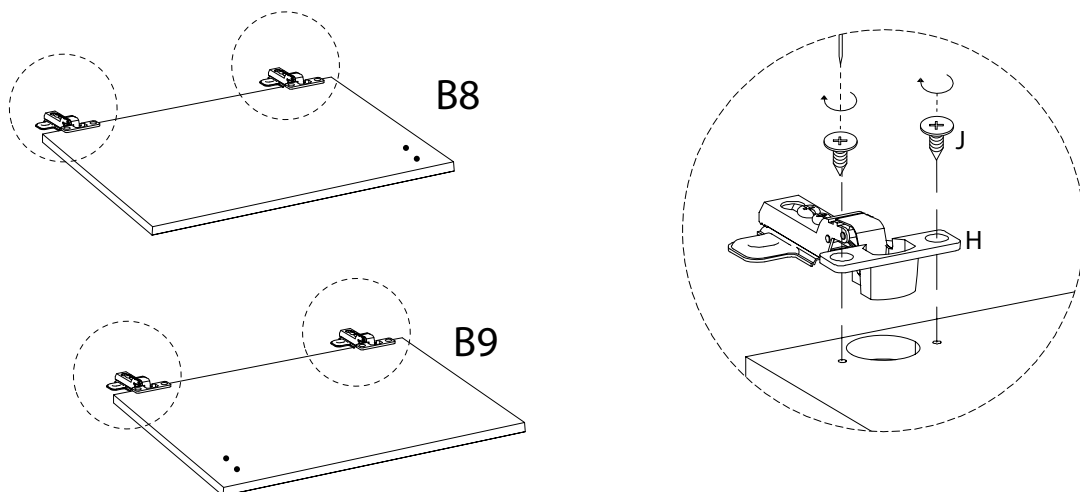
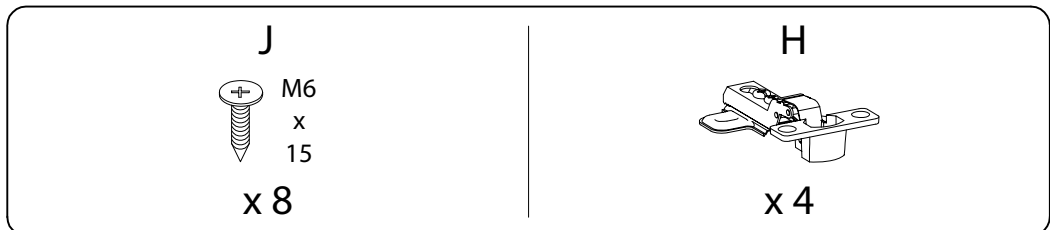
x 8



11

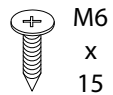


12

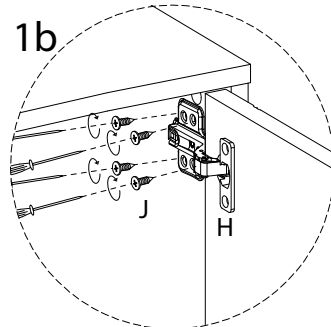
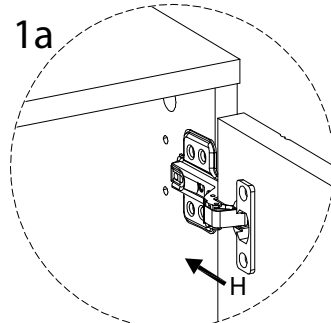
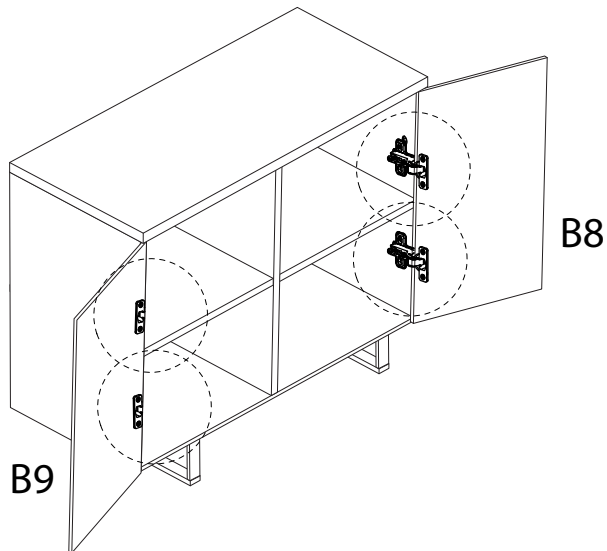


13

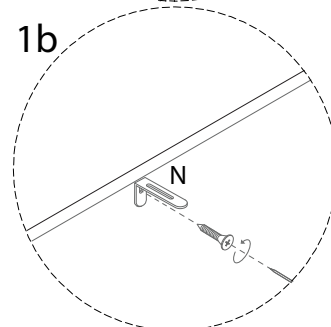
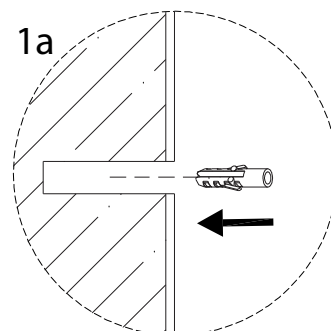
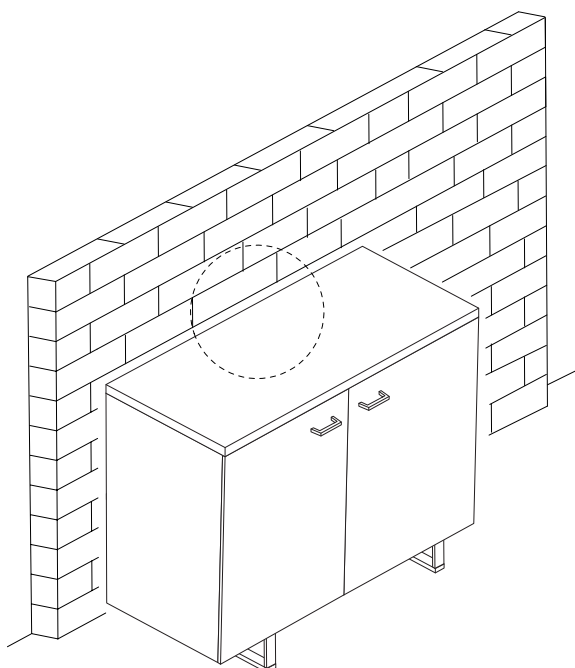
J



x 8



14



!

