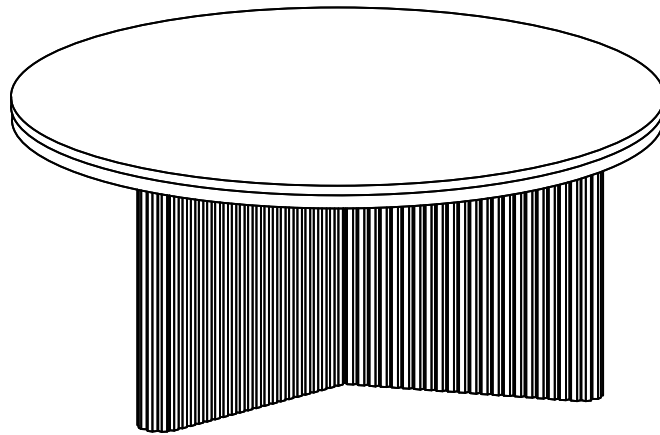


ASSEMBLY INSTRUCTIONS

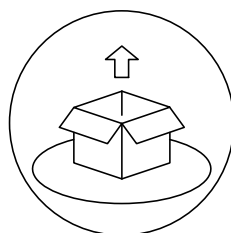


Notice:

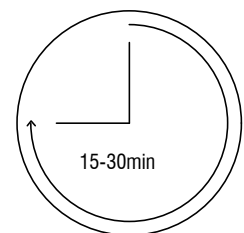
1. Follow these assembly instructions carefully. Ensure all parts and hardware are present before starting.
2. Do not fully tighten any screws during the initial assembly. Tighten them only after all parts are correctly aligned.
3. If you encounter any issues during assembly, please contact our customer service team.
4. Unbox the item from the side labeled "Open", and place it on a soft, protective surface to prevent scratches.



Recommended Assembly:
2 people

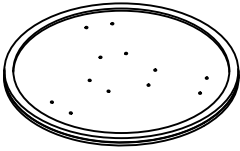
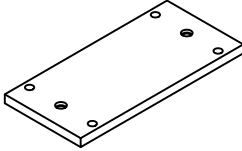
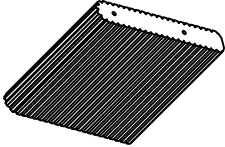
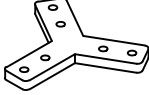


Lay a protective mat
or cloth


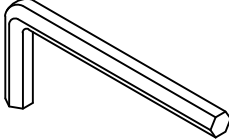

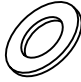


Estimate installation
time

Accessories List

Item no.	Reference Image	Qty	Item no.	Reference Image	Qty
1	 Table Top	1	3	 Plate	3
2	 Standing leg	3	4	 Link block	1

Hardware List

Item no.	Reference Image	Qty	Item no.	Reference Image	Qty
A	1/4"*22  Bolt	24+2	B	 Allen Key	1
	1/4"  Spring Washer	24+2			
	1/4"*12  Flat Washer	24+2			

ASSEMBLY INSTRUCTIONS

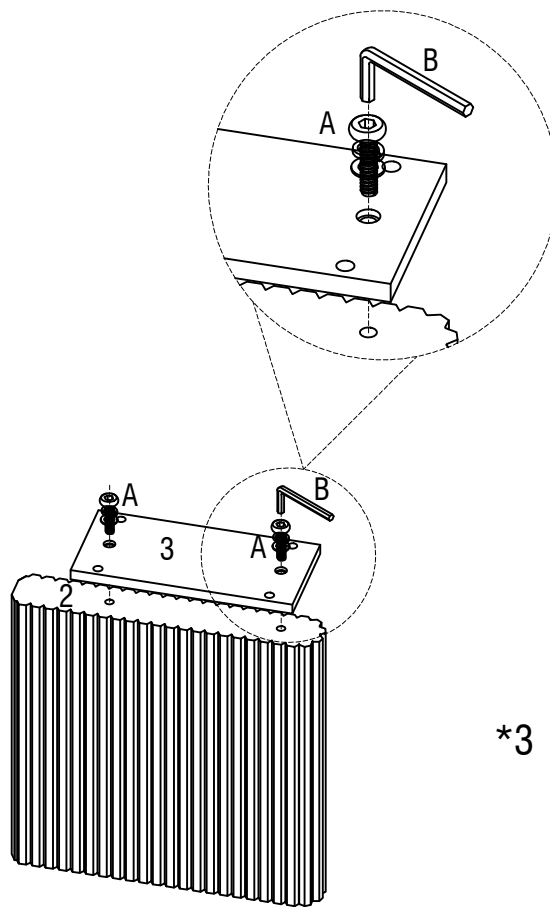
1



A 6 pcs



B



Attach the Plate (3) to the Standing Leg (2) using Bolt (A), Spring Washer, Flat Washer, and the Allen Wrench (B).

ASSEMBLY INSTRUCTIONS

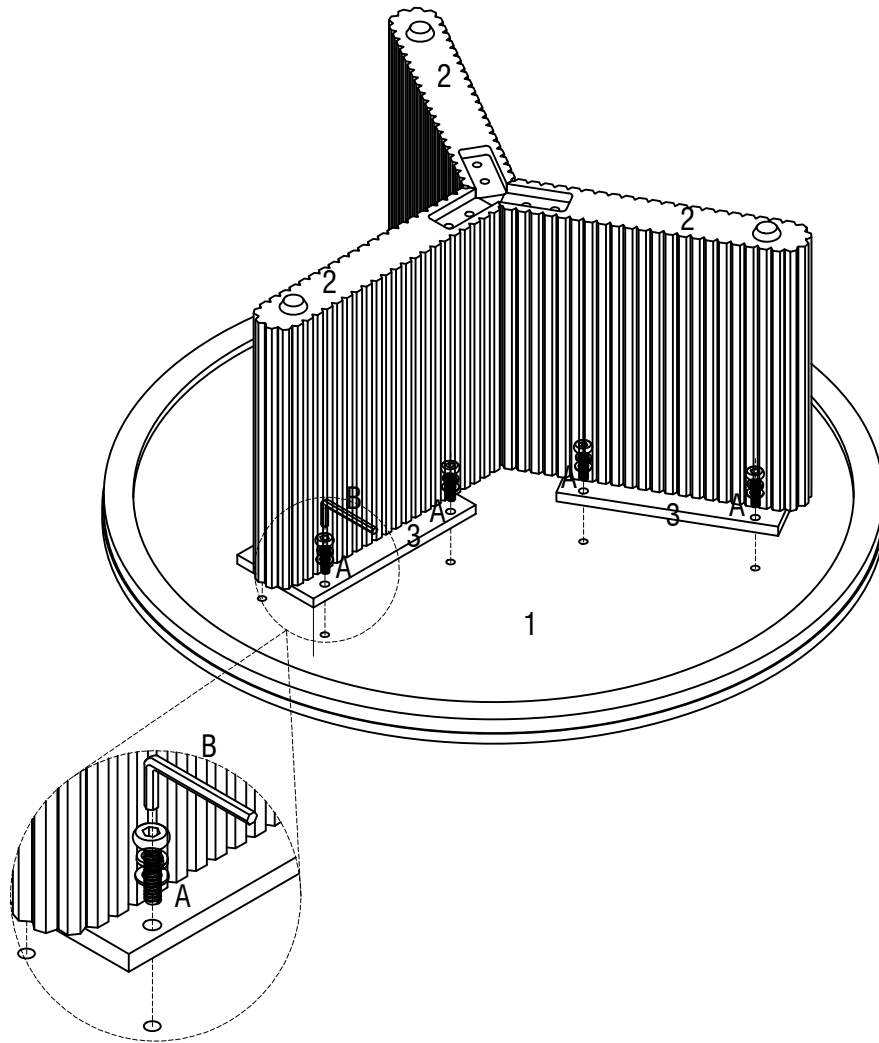
2



A 12 pcs



B



Attach the Plate (3) to the Table Top (1) using Bolt (A), Spring Washer, Flat Washer, and the Allen Wrench (B).
Do not fully tighten the bolts at this stage.

ASSEMBLY INSTRUCTIONS

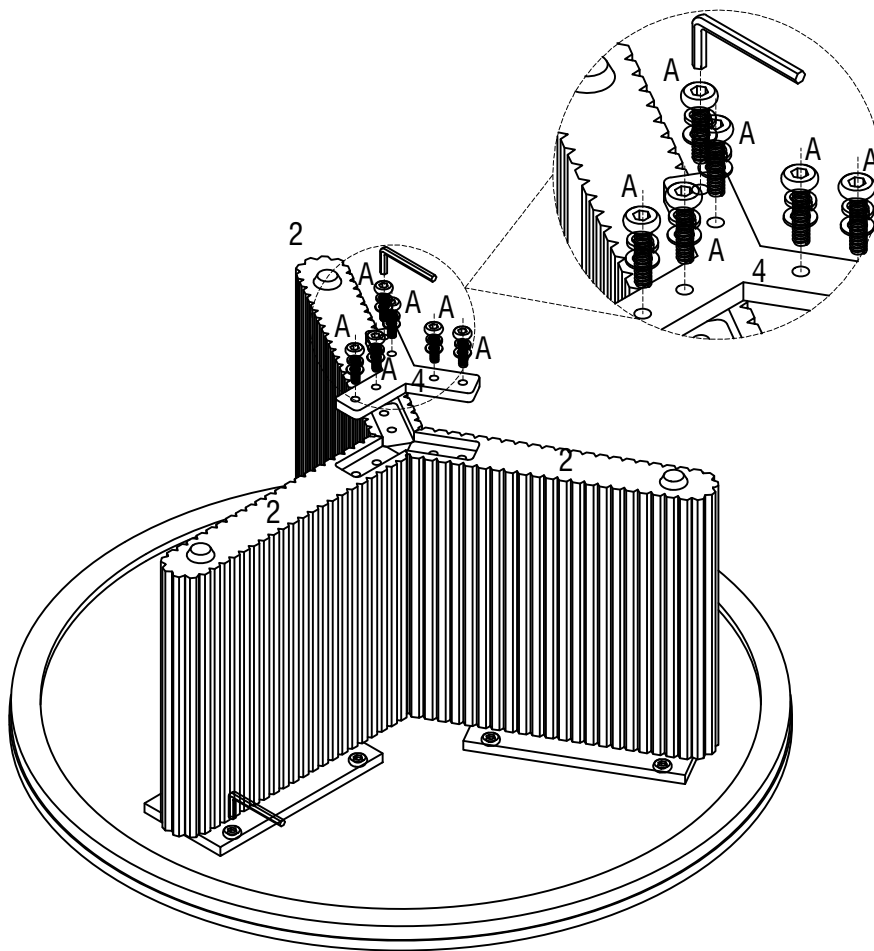
3



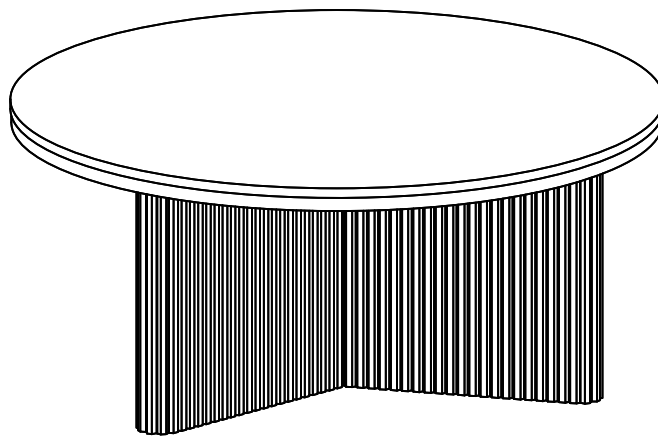
A 6 pcs



B 1 pc



1. Attach the Link Block (4) to the Standing Leg (2) using Bolt (A), Spring Washer, Flat Washer, and the Allen Wrench (B). Do not fully tighten yet.
2. Adjust the positions and gaps of all components, then fully tighten all bolts.



General care and maintenance.

Clean with a damp cloth and mild detergent only. Do not use bleach or abrasive cleaners.

Wipe up spills immediately to prevent staining.

Avoid cleaning products that contain acetone (e.g., nail polish remover), ammonia, or sodium hydroxide (e.g., drain or oven cleaners).

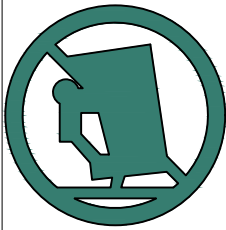
If the product comes into contact with any harsh chemicals, rinse thoroughly with clean water.

Check all screws periodically and re-tighten if necessary.

Dispose of the product responsibly — do not discard with household waste. Contact your local waste disposal center for proper recycling.



WARNING



Never allow children to climb or hang on the table.
Do not place heavy objects on the tabletop, as this
may cause tipping or damage.