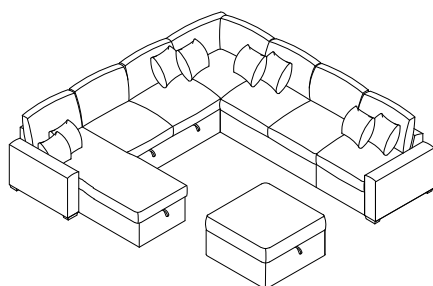


ASSEMBLY INSTRUCTIONS

Armless Convertible 2-Seater with Pull-out Bed and Click Motion Back
 Armless 2-Seater
 Corner Seat
 Armless Chair
 Armless Convertible Storage Chaise with Click Motion Back
 Two Arms
 Storage Ottoman with Casters



Thank you for purchasing this product. Please take time to read and follow the instructions below. Check that you have all parts and hardware before assembly. Parts apparently missing are often found in the packing materials. If you do not have all the parts listed, have your dealer contact us and they be sent to you immediately.

It is recommended to install protective pads under all legs and support to avoid damage or scratches when placing furniture on a wood floor or other hard surface, and to limit Indentation and prevent discoloration if placing on carpet.

Armless Convertible 2-Seater PARTS LISTS

NO.	SKETCH	DESCRIPTION	QTY
A		Seat	1 PC
B		Back Cushion	2 PCS
C		Pillow 20"x20"	1 PC
D		Pillow 18"x18"	1 PC

Armless 2-Seater PARTS LISTS

NO.	SKETCH	DESCRIPTION	QTY
E		Seat	1 PC
F		Backrest	1 PC
B		Back Cushion	2 PCS
C		Pillow 20"x20"	1 PC
D		Pillow 18"x18"	1 PC

Corner Seat PARTS LISTS

NO.	SKETCH	DESCRIPTION	QTY
G		Seat	1 PC
H		Small Back Cushion	1 PC
I		Big Back Cushion	1 PC
C		Pillow 20"x20"	1 PC
D		Pillow 18"x18"	1 PC

Armless Chair PARTS LISTS

NO.	SKETCH	DESCRIPTION	QTY
J		Seat	1 PC
K		Backrest	1 PC
B		Back Cushion	1 PC

Armless Convertible Storage Chaise PARTS LISTS

NO.	SKETCH	DESCRIPTION	QTY
L		Seat	1 PC
B		Back Cushion	1 PC
C		Pillow 20"x20"	1 PC
D		Pillow 18"x18"	1 PC

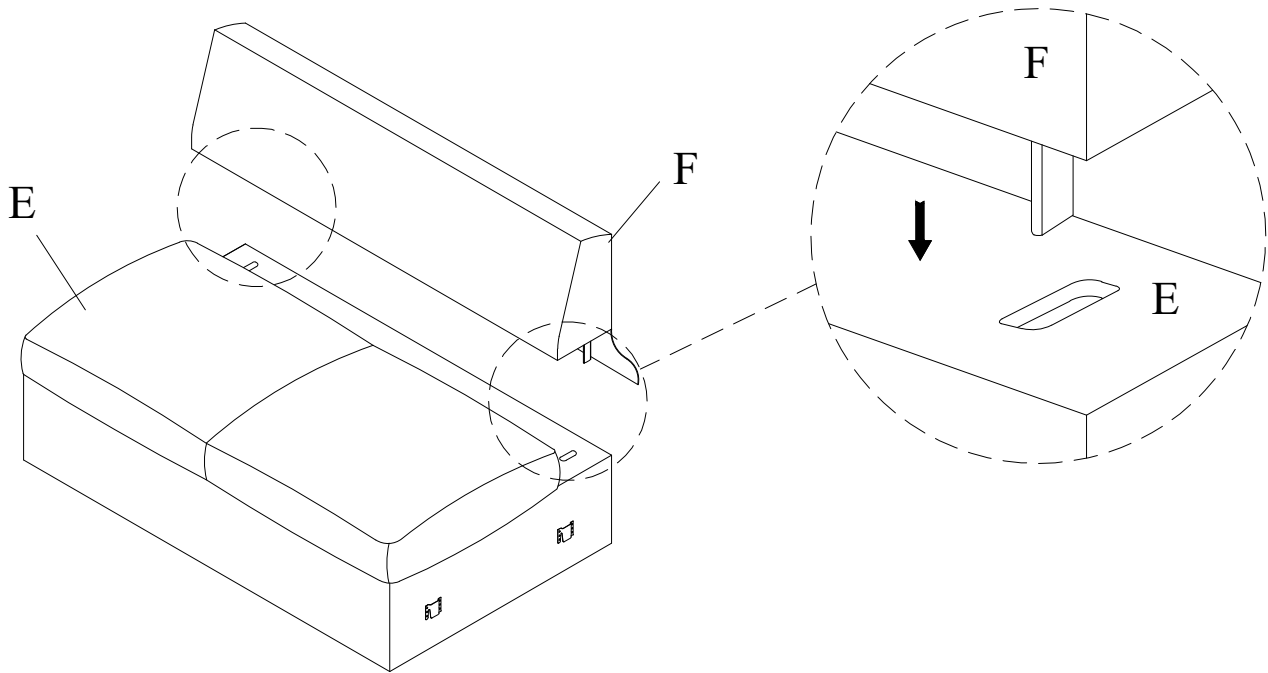
Two Arms PARTS LISTS

NO.	SKETCH	DESCRIPTION	QTY
M		LSF Arm	1 PC
N		RSF Arm	1 PC

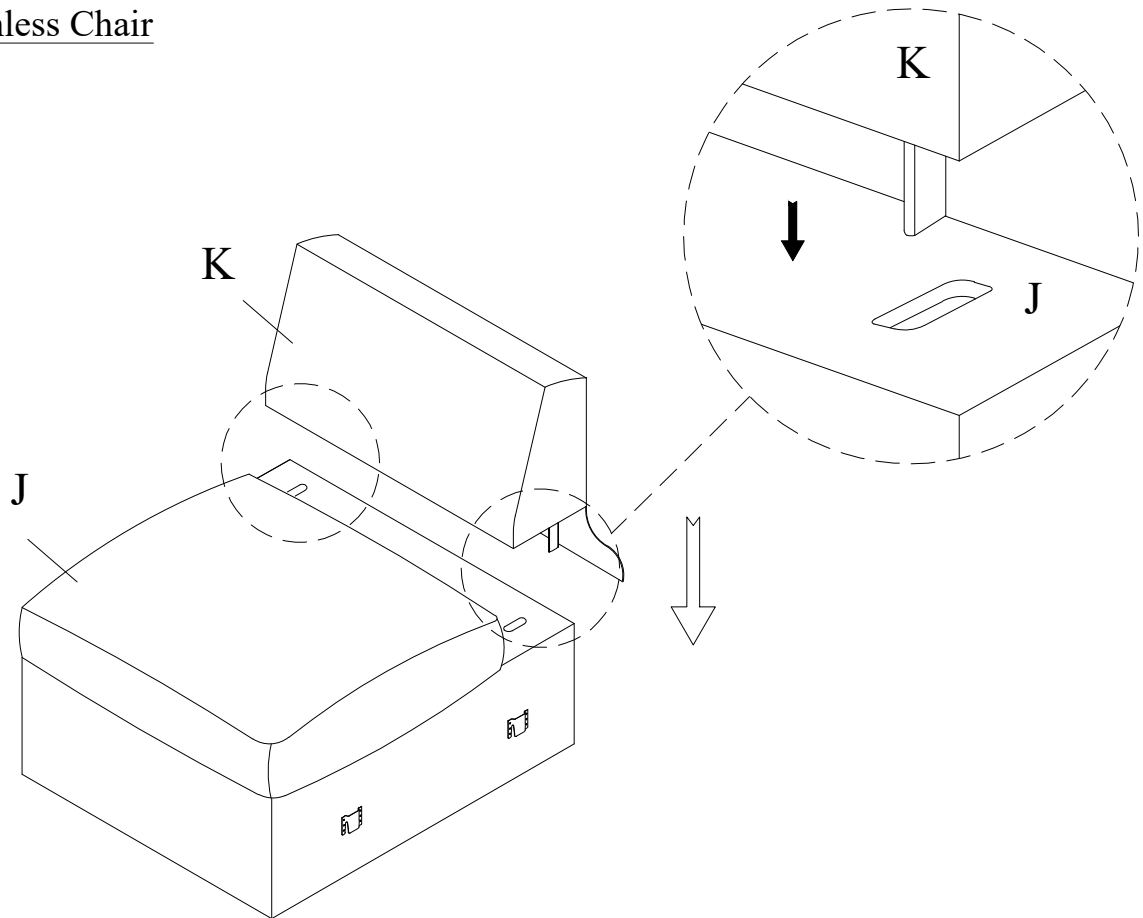
Storage Ottoman LISTS

NO.	SKETCH	DESCRIPTION	QTY
O		Ottoman	1 PC

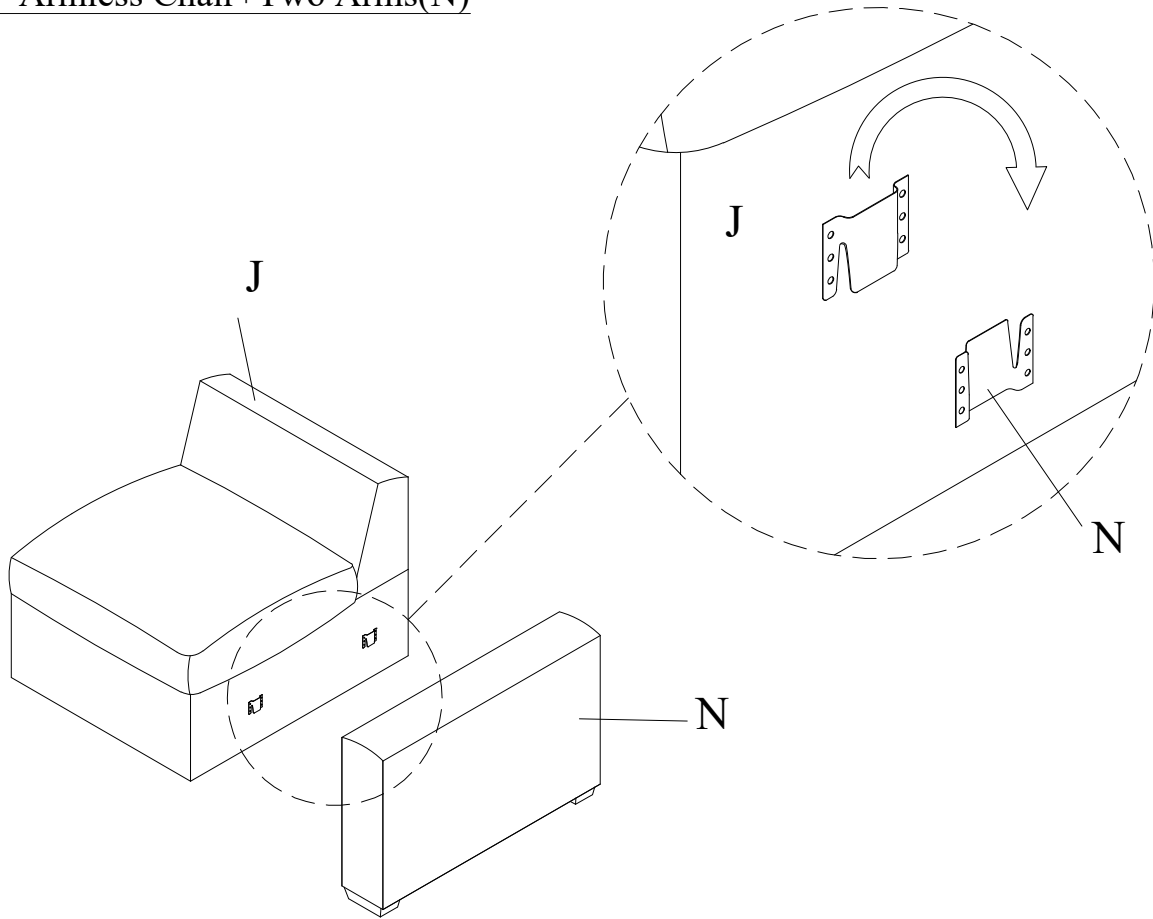
STEP 1: - Armless 2-Seater



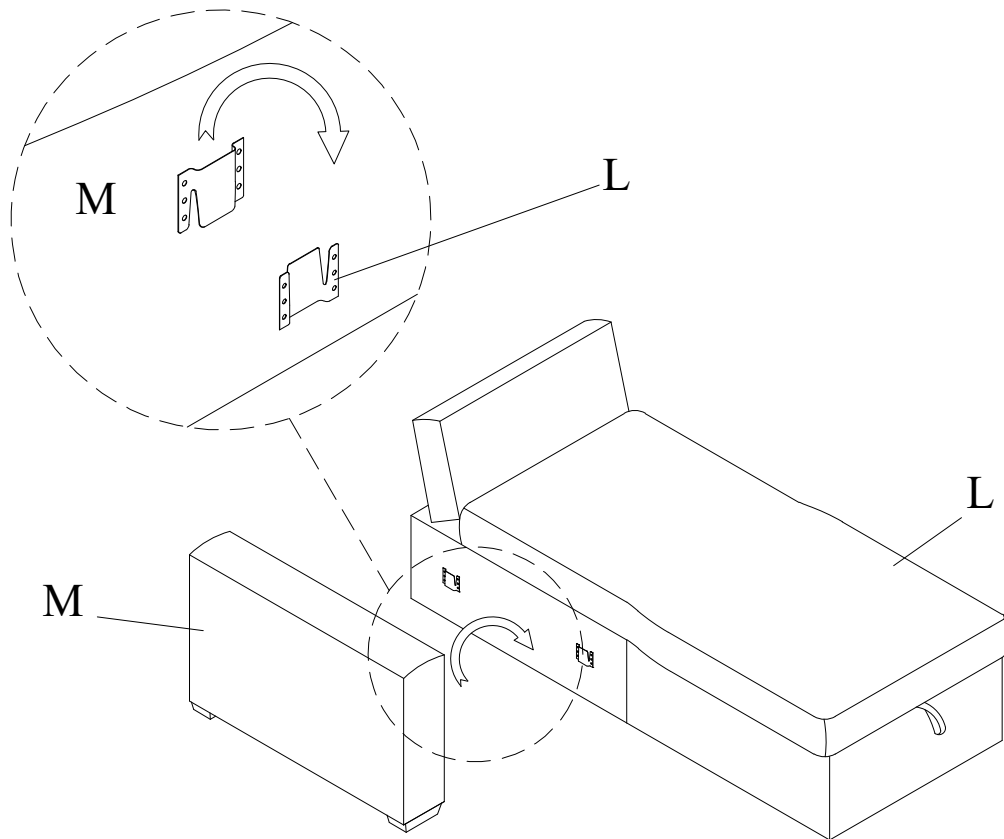
STEP 2: - Armless Chair



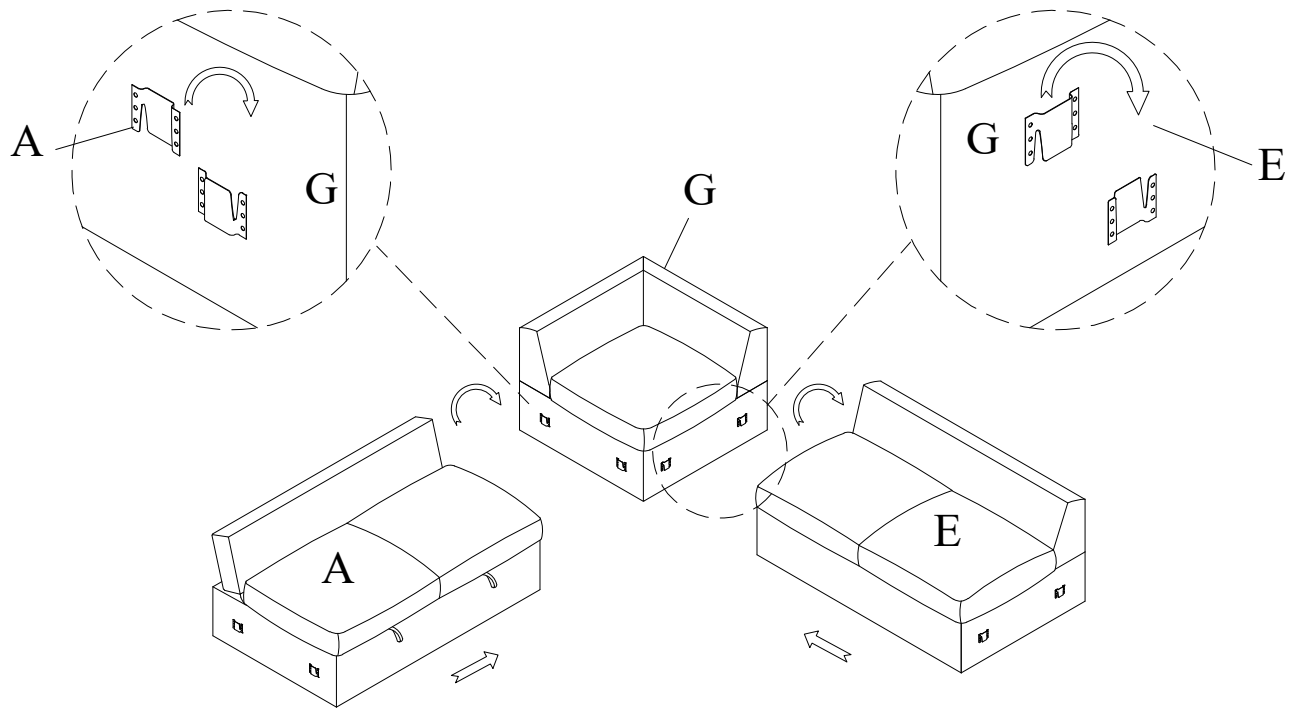
STEP 3: -Armless Chair+Two Arms(N)



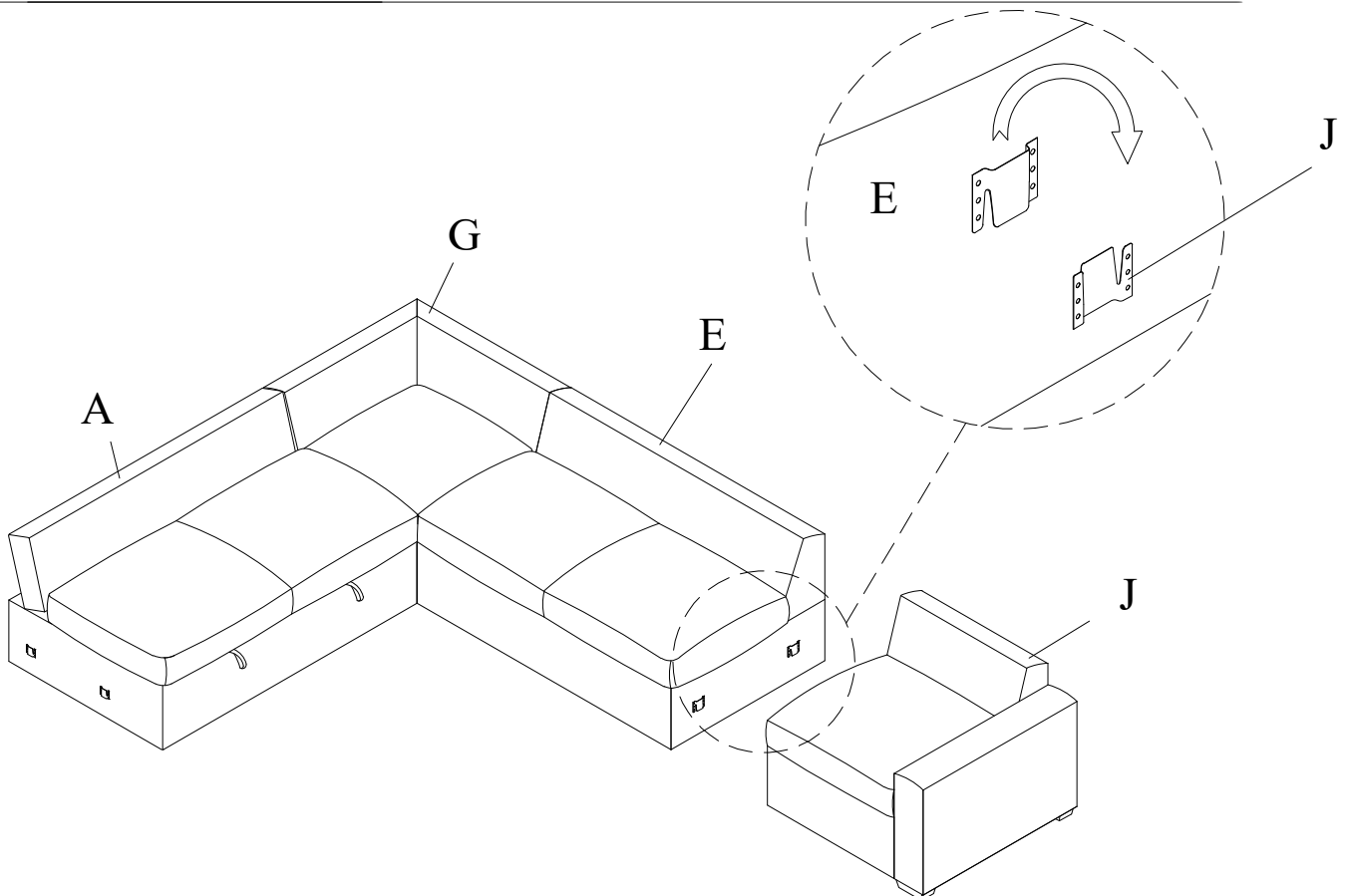
STEP 4: -Armless Convertible Storage Chaise+Two Arms(M)



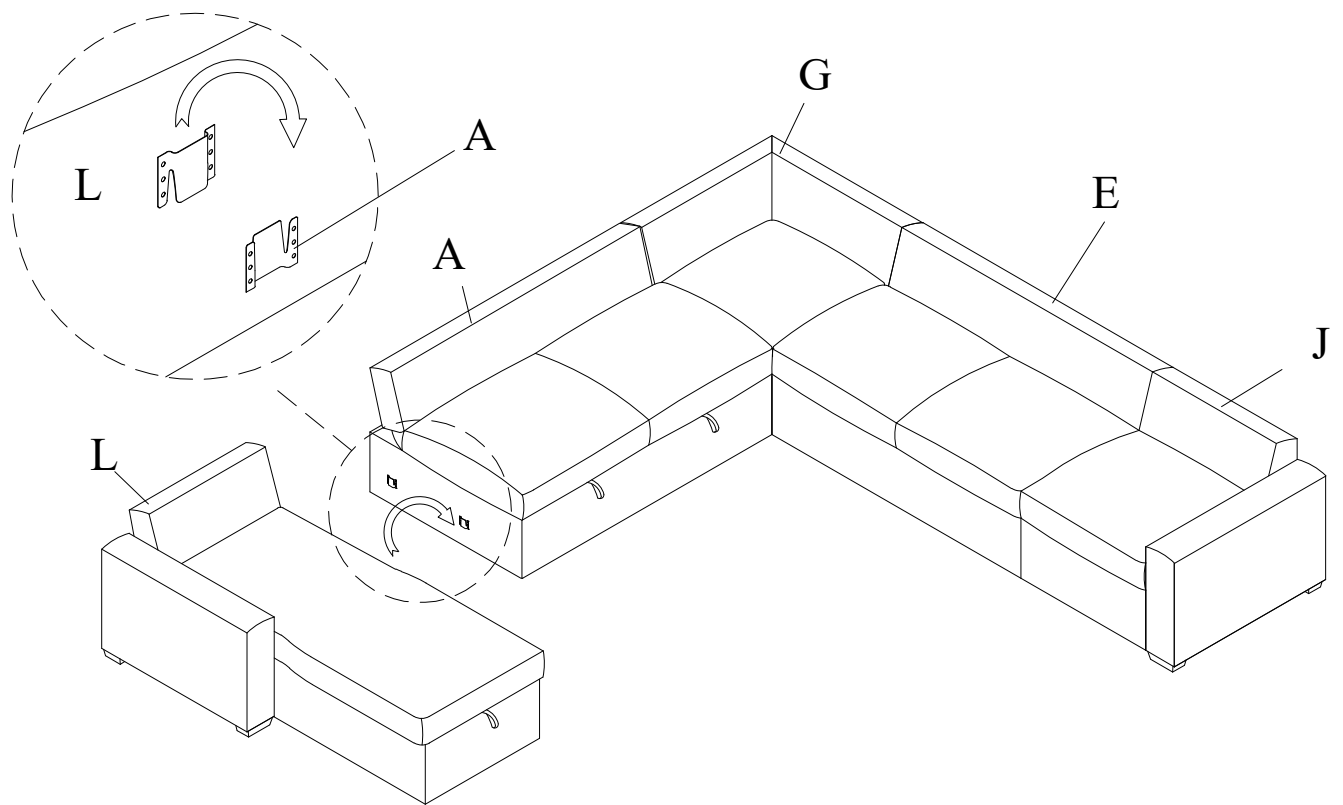
STEP 5: -Armless Convertible 2-Seater+Corner Seat+Armless 2-Seater



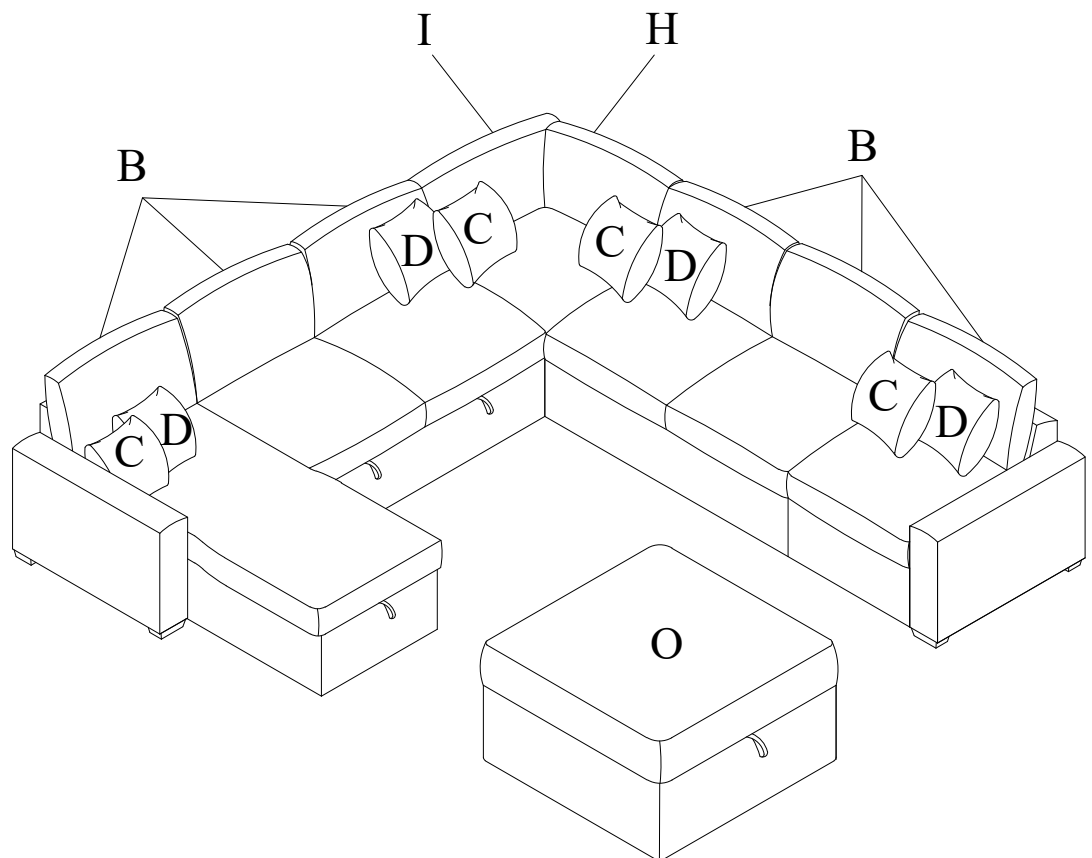
STEP 6: -Armless Convertible 2-Seater+Corner Seat+Armless 2-Seater+Armless Chair



**STEP 7: -Armless Convertible Storage Chaise+Armless Convertible 2-Seater+Corner Seat
+Armless 2-Seater+Armless Chair**



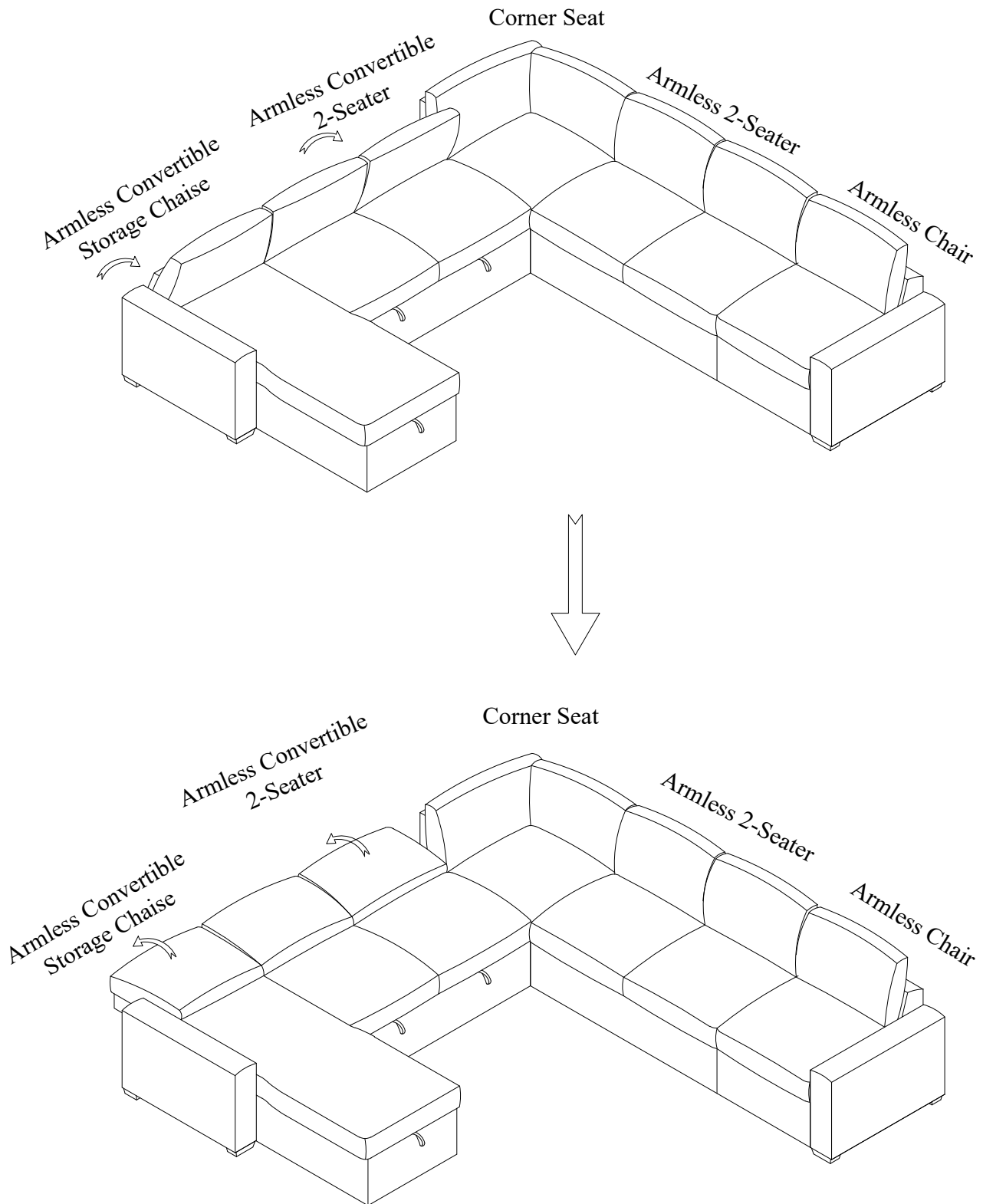
**STEP 8: -Armless Convertible Storage Chaise+Armless Convertible 2-Seater+Corner Seat
+Armless 2-Seater+Armless Chair also the Storage Ottoman**



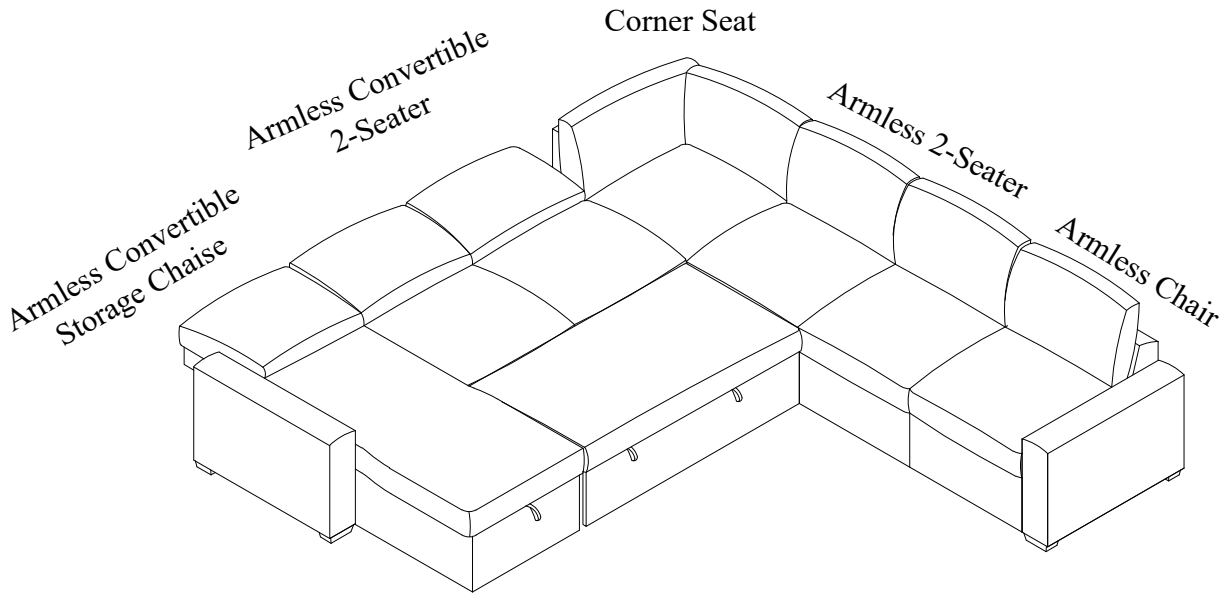
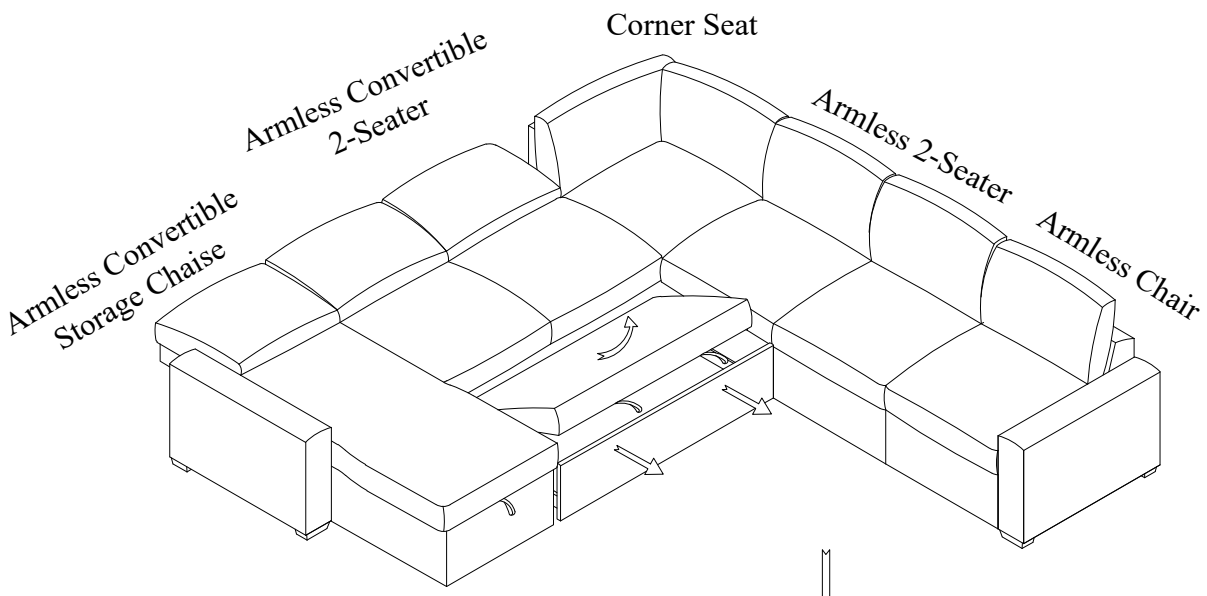
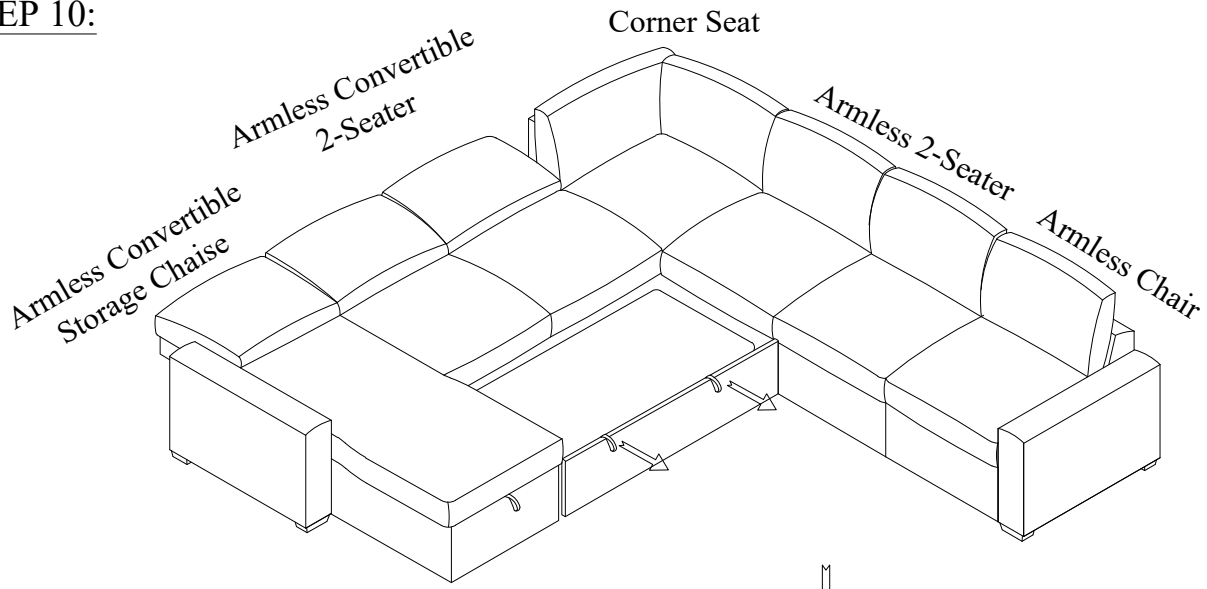
TO CONVERT TO BED

STEP 9:

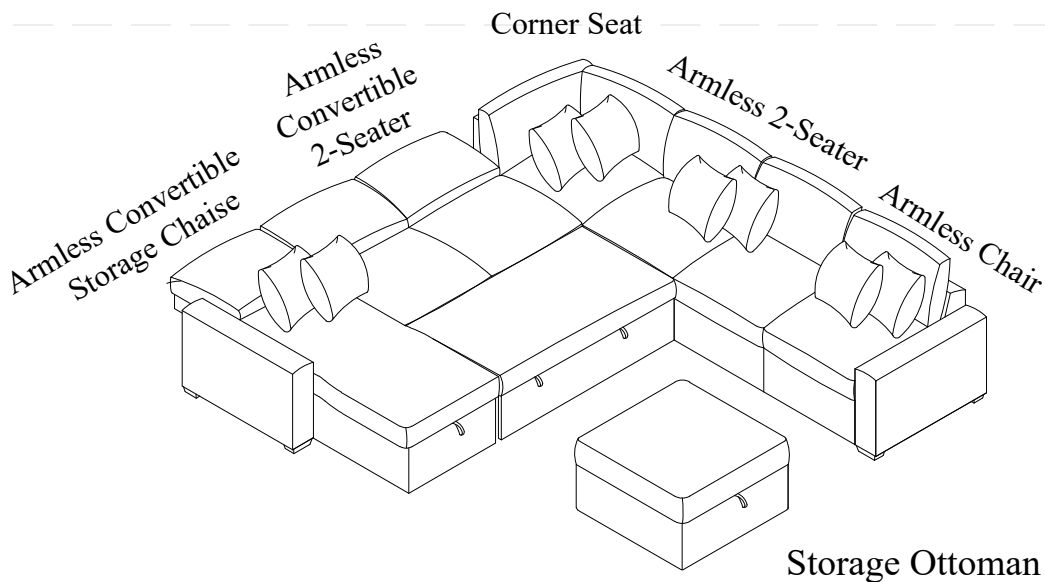
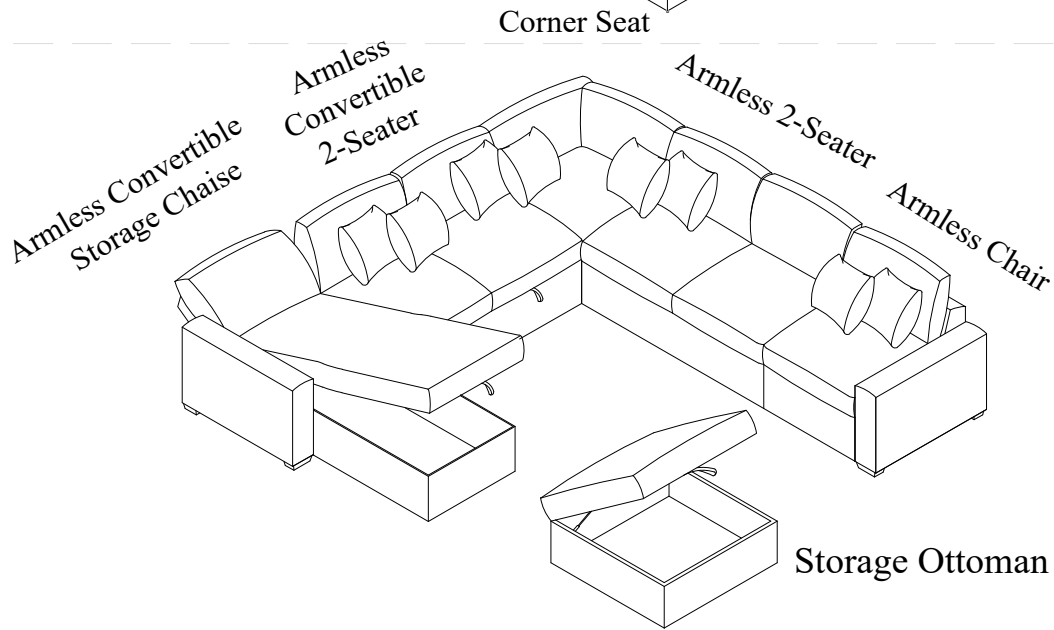
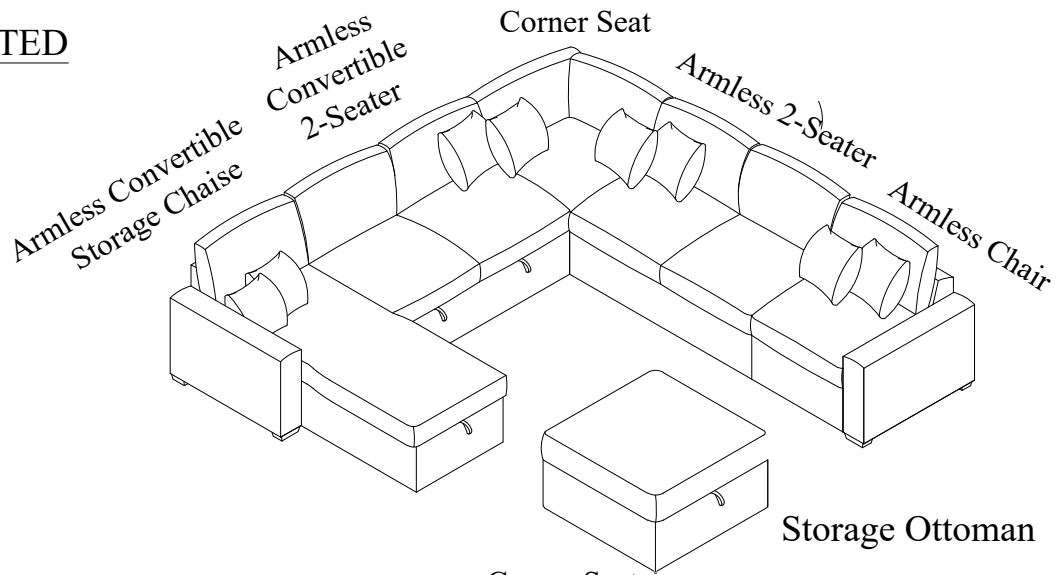
Push the backrest forward to unlock it (you will hear a click sound), this will release the backrest from the upright position. Then push the backrest all the way to the back until completely flat.



STEP 10:




COMPLETED



Care Instruction for Microfiber Textured Fabric Furniture:

In order to maintain the original appearance of your microfiber textured fabric furniture, please follow below simple care procedures:

- Avoid exposing furniture directly to sunlight or heating and air conditioning outlets. Sunlight and or exposure to heating and air conditioning outlets will fade/damage microfiber textured fabric.
- Vacuum or wipe with a soft cloth to remove dust.
- Hardware may loosen over time. Periodically check to make sure all connection are tight, Re-tighten if necessary

 For item use on wooden floor,hard surfaces or carpets,it is recommended to install protective pads under all legs and supports to avoid/prevent from damages/scratches and discoloration.