

ASSEMBLY INSTRUCTIONS



OFFICE CHAIR

ASSEMBLY INSTRUCTIONS

ASSEMBLY TIPS:

- 1.Remove hardware from box and sort by size.
- 2.Please check to see that all hardware and parts are present prior to start of assembly.
- 3.Please follow attached instructions in the same sequence as numbered to assure fast & easy assembly.












WARNING !

- 1.Don't attempt to repair or modify parts that are broken or defective. Please contact the store immediately.
- 2.This product is for home uses only and not intended for commercial establishments.








ASSEMBLY TIME 20 MINUTES

PARTS IDENTIFICATION

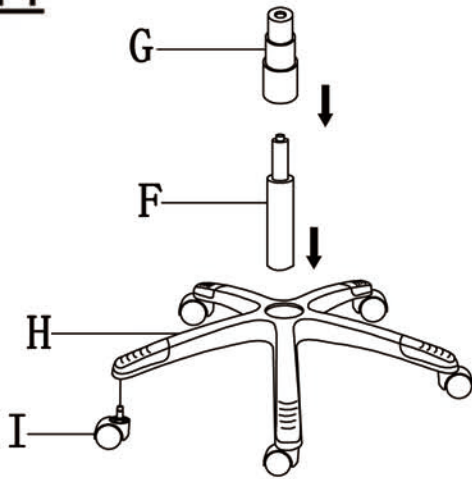
A		BACK	1PC
B		SEAT	1PC
C		RIGHT ARMREST	1PC
D		LEFT ARMREST	1PC
E		MECHANISM	1PC
F		GAS LIFT	1PC
G		GAS LIFT COVER	1PC
H		BASE	1PC
I		CASTER	5PCS

HARDWARE IDENTIFICATION

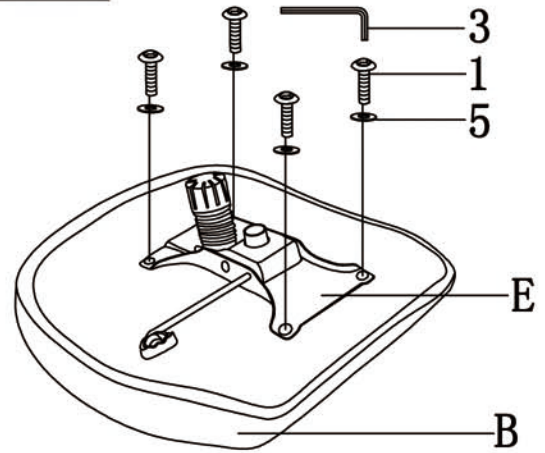
1	LONG BOLT	 M6*20	4PCS
2	SHORT BOLT	 M6*25	8PCS
3	ALLEN WRENCH	 M6	1PC
4	CAP		8PCS
5	WASHER	 M6*18*1.2	4PCS

ASSEMBLY INSTRUCTIONS

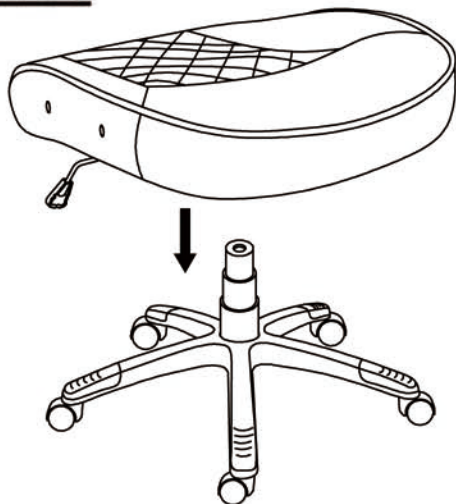
STEP 1



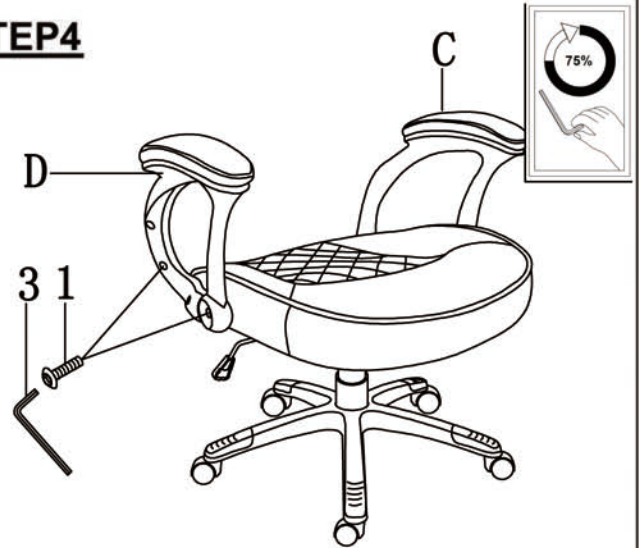
STEP 2



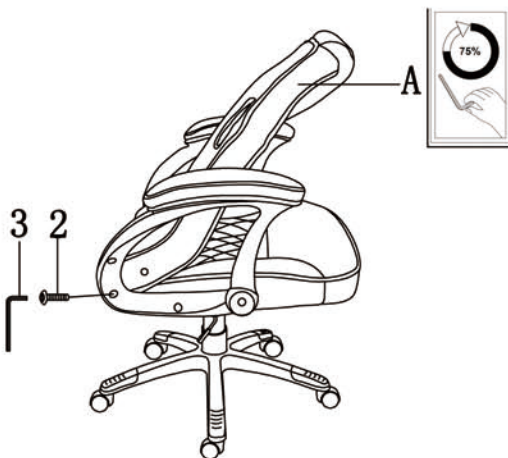
STEP 3



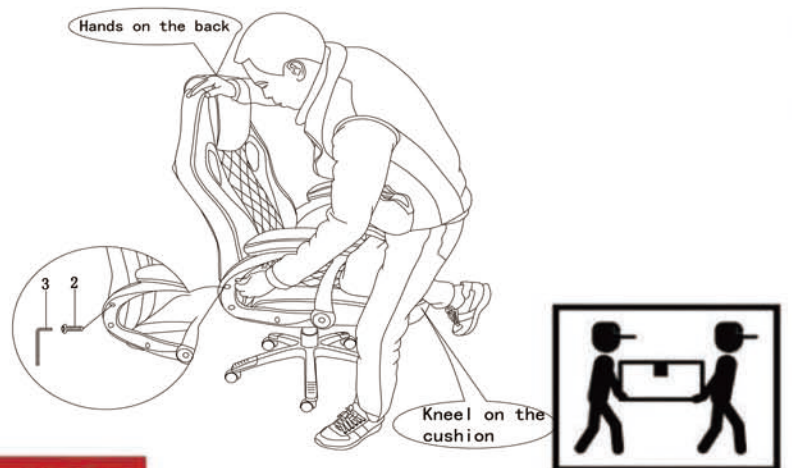
STEP 4



STEP 5



STEP 6



ASSEMBLY INSTRUCTIONS

STEP 7



STEP 8



STEP 9





Note : Dimension tolerance $\pm 5\%$