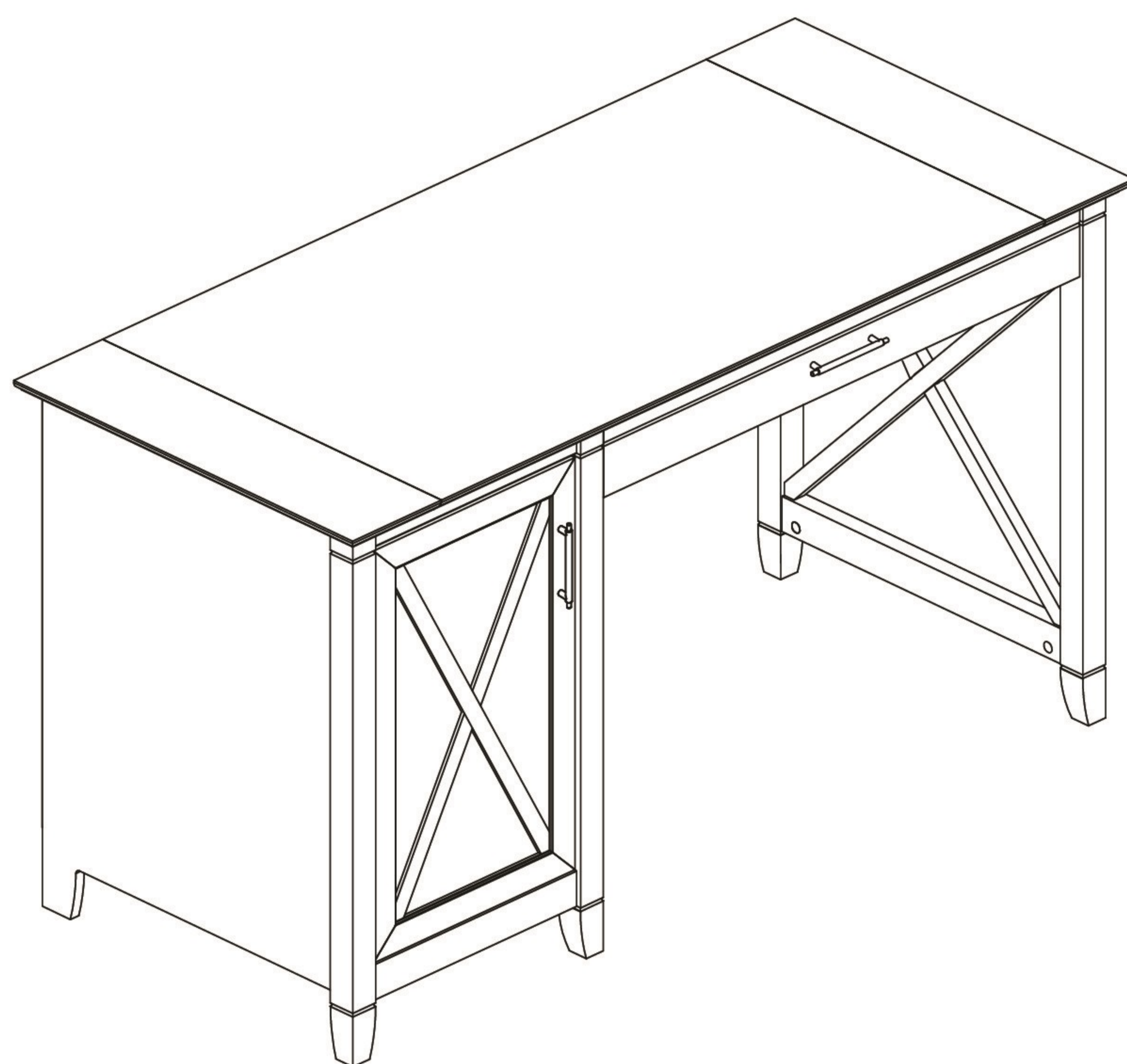
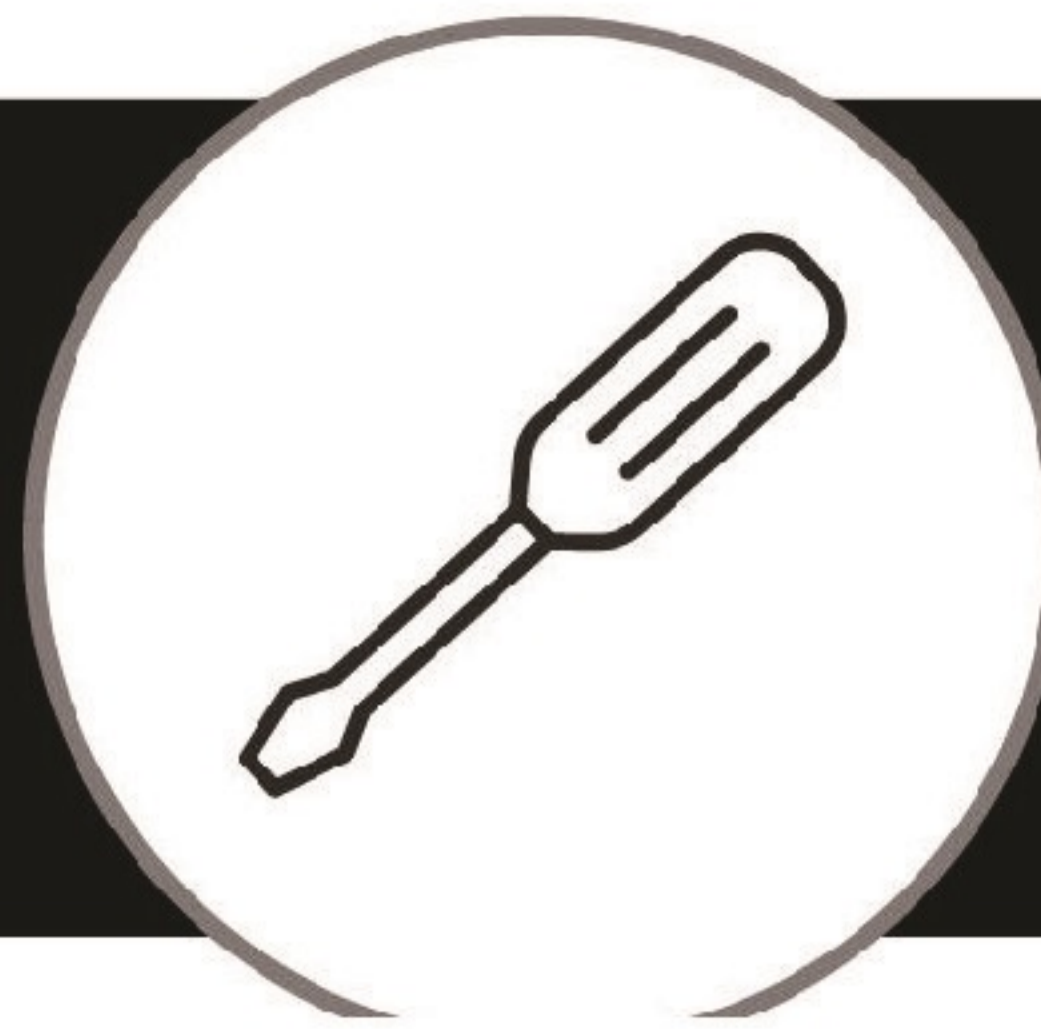


# Assembly Guide



Keep manual for future reference.

## Get Ready to Assemble

### For best results, keep these tips in mind:

- ① We know you want to finish this assembly as quickly as possible, but trust us: you'll have a better experience if you take it one step at a time.
- ② Give yourself some room to work near where you want the fully assembled product.
- ③ If your floor isn't carpeted, assemble this product on the empty carton to avoid scratching.
- ④ Do you have a friend who owes you a favor? Some steps may go a little easier with a second set of hands.

### DOs

- ✔ Use a #2 Phillips head screwdriver (or other handheld tools as indicated)
- ✔ Wear safety glasses at all times during assembly
- ✔ Carefully follow the instructions in this guide and complete all steps in order
- ✔ Give us a call if you're having trouble with a particularly tricky step

### DON'Ts

- ✘ We know power tools are quick and easy, but you shouldn't use them when assembling this product (unless otherwise specified)
- ✘ Never move your furniture with items inside or resting on the surface
- ✘ Do not attempt to use this product before all steps have been completed

# IMPORTANT SAFETY INFORMATION



## PLEASE READ WARNINGS

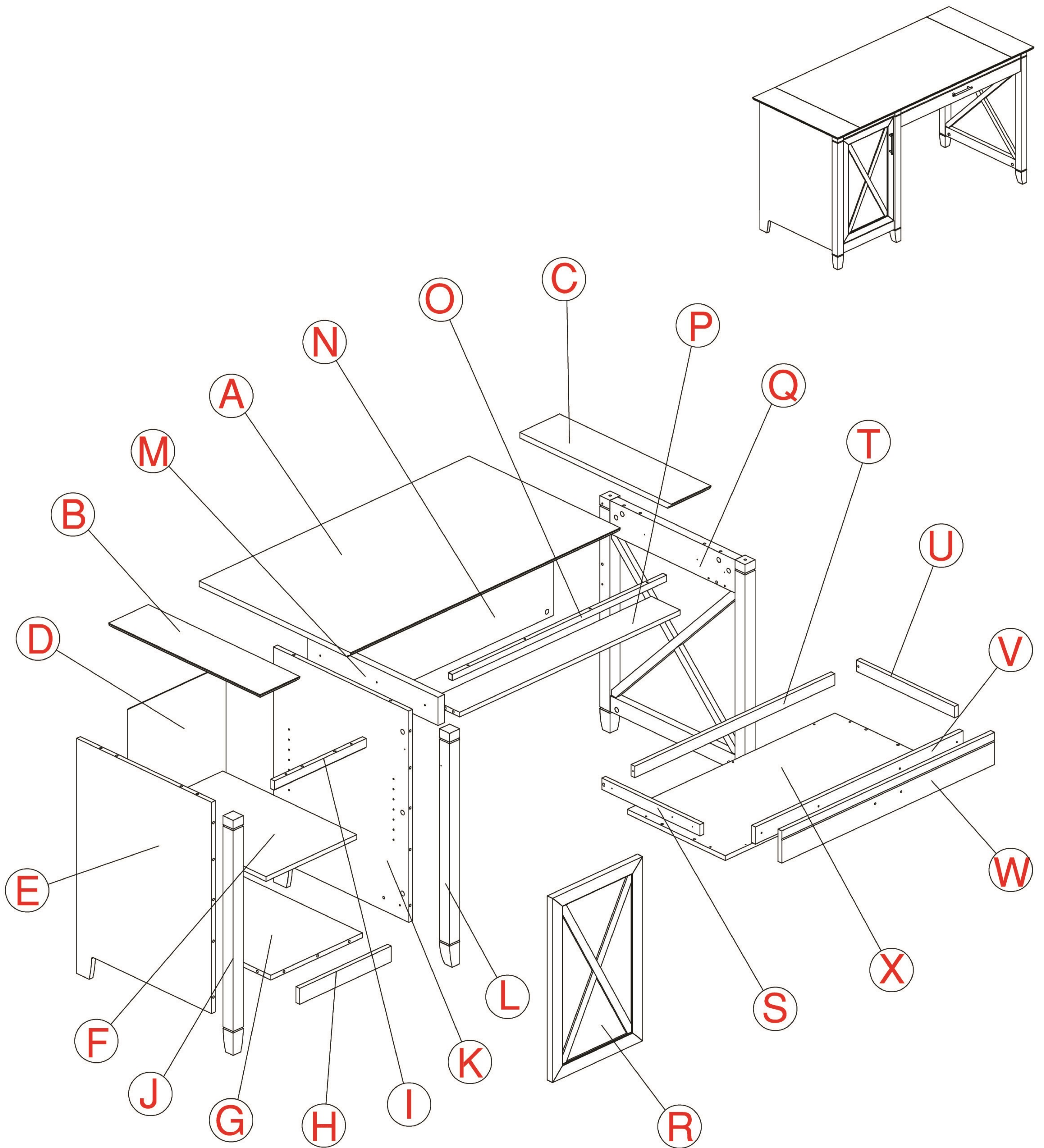
Improper use can cause safety hazards, or damage to your furniture and household items.

Warning	Do	Don't	Why it's important
<b>Serious injury may occur.</b>	<ul style="list-style-type: none"><li>Assemble following all instructions using all indicated parts and hardware provided.</li></ul>	<ul style="list-style-type: none"><li>Do not move unit when loaded.</li><li>Do not load with a television or other heavy equipment.</li><li>Do not exceed the maximum load limits stated in the instructions.</li></ul>	Improper assembly, use or loading can lead to product instability, tip-over or collapse.

Advertencia	Hacer	No	Por qué es importante
<b>Se pueden producir lesiones graves.</b>	<ul style="list-style-type: none"><li>Ensamble siguiendo todas las instrucciones utilizando todas las piezas y ferretería indicados provistos.</li></ul>	<ul style="list-style-type: none"><li>No mueva la unidad cuando esté cargada.</li><li>No cargue con un televisor u otro equipo pesado.</li><li>No exceda los límites máximos de carga establecidos en las instrucciones.</li></ul>	El ensamblaje, uso o carga inadecuados pueden provocar inestabilidad del producto, vuelco o colapso.

Avertissement	Faire	Ne le fais pas	Pourquoi c'est important
<b>Des blessures graves peuvent survenir.</b>	<ul style="list-style-type: none"><li>Assemblez en suivant toutes les instructions en utilisant toutes les pièces et le matériel indiqués fournis.</li></ul>	<ul style="list-style-type: none"><li>Ne déplacez pas l'unité lorsqu'elle est chargée.</li><li>Ne chargez pas avec un téléviseur ou un autre équipement lourd.</li><li>Ne dépassez pas les limites de charge maximale indiquées dans les instructions.</li></ul>	Un assemblage, une utilisation ou un chargement incorrects peuvent entraîner une instabilité du produit, un renversement ou un effondrement.

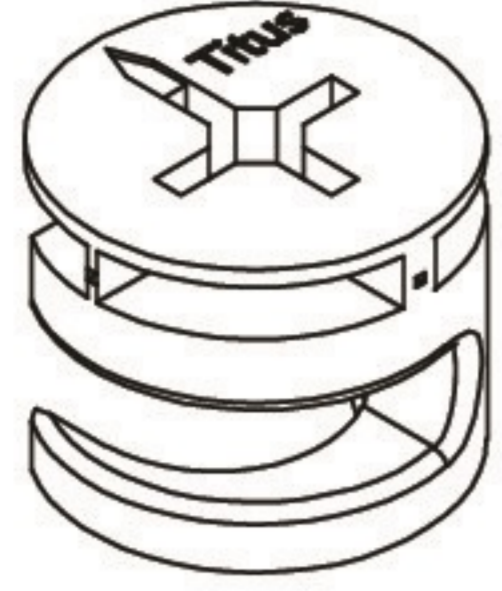
# Get to know your Boards



# Get to know your Fasteners

Fasteners are shown actual size.

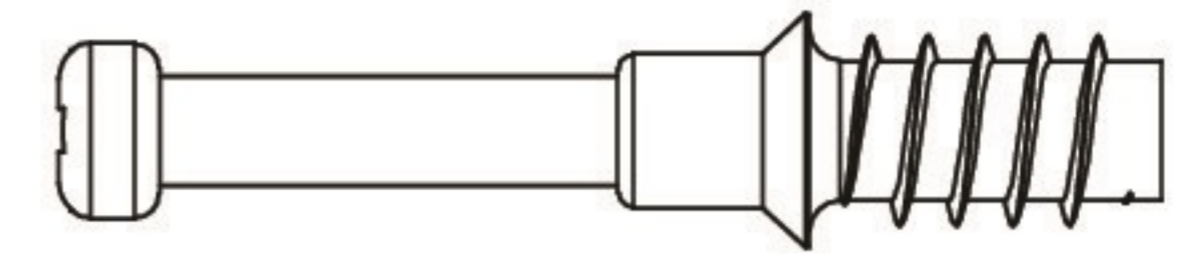
H181468



KD Cam

[ 28 ]

H180604



KD Bolt

[ 28 ]

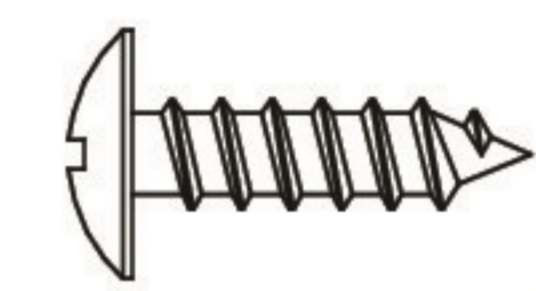
H38169



Wood Dowel  
8 x 30mm

[ 27 ]

H101725



#6 x 1/2"

[ 14 ]

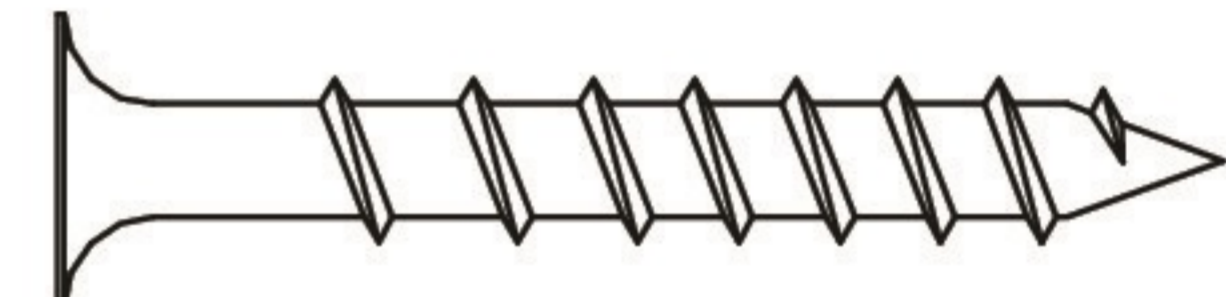
H153242



#8 x 5/8"

[ 8 ]

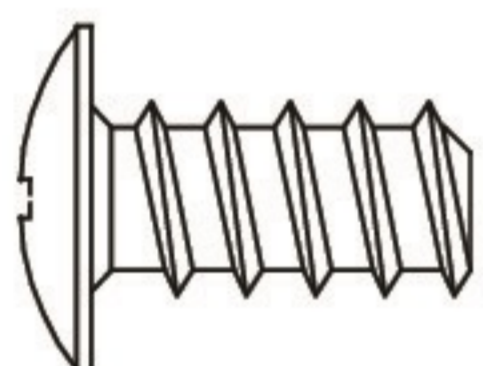
H23198



#10 x 1-1/2"

[ 13 ]

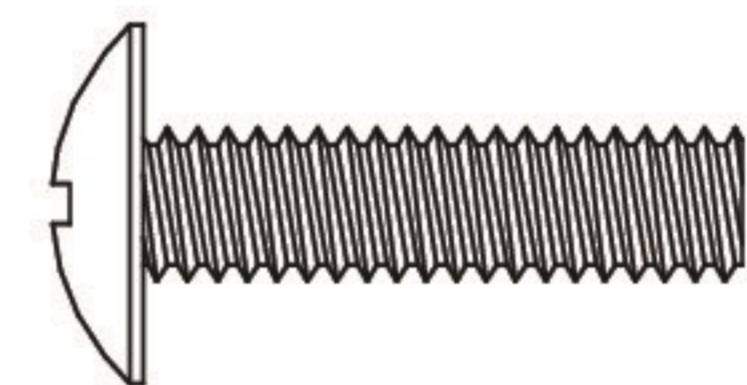
H146988



#12 x 1/2"

[ 2 ]

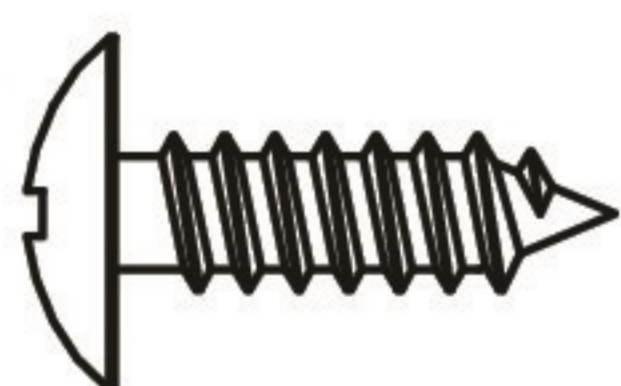
H158933



#8 x 3/4"

[ 4 ]

H23119



#10 x 5/8"

[ 16 ]

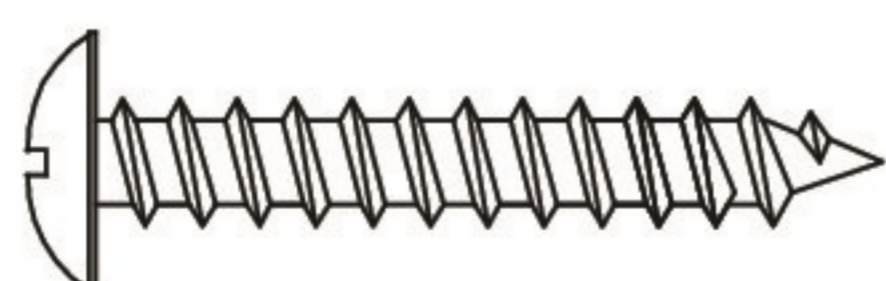
H34174



#3 x 3/4"

[ 18 ]

H24437



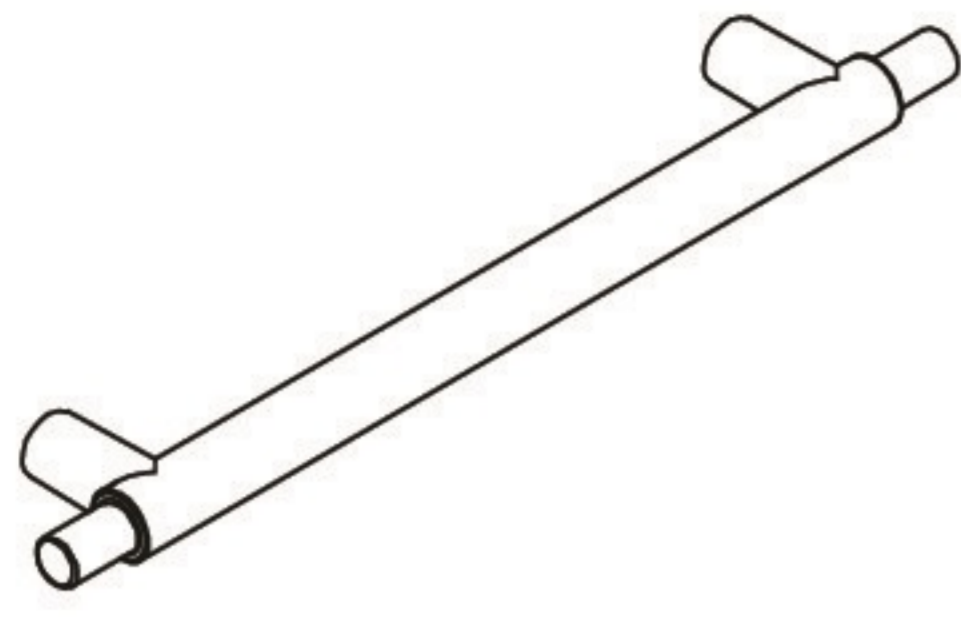
#8 x 1"

[ 7 ]

# Get to know your Hardware

Hardware not to scale.

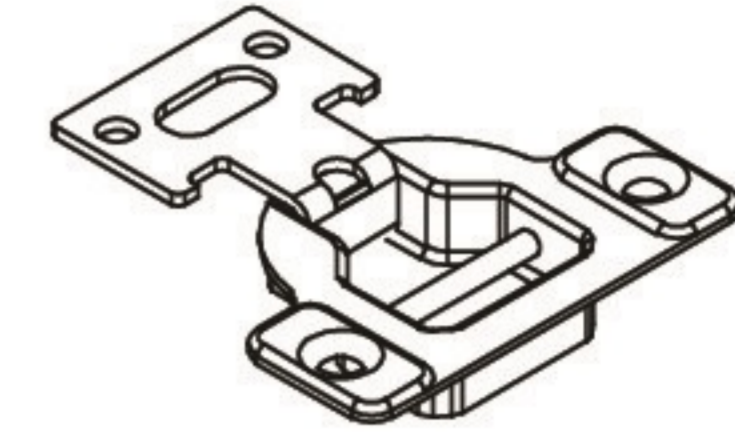
H180971



Handle

[ 2 ]

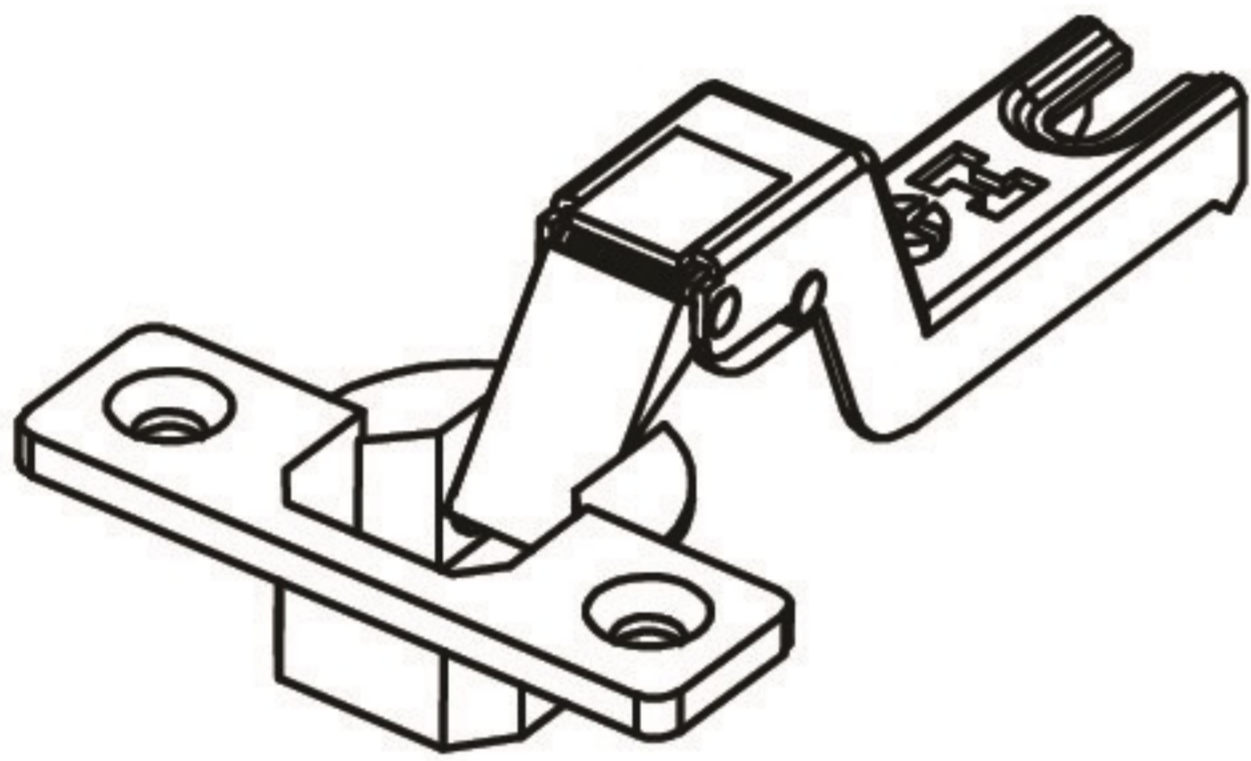
H180675



Hinge

[ 2 ]

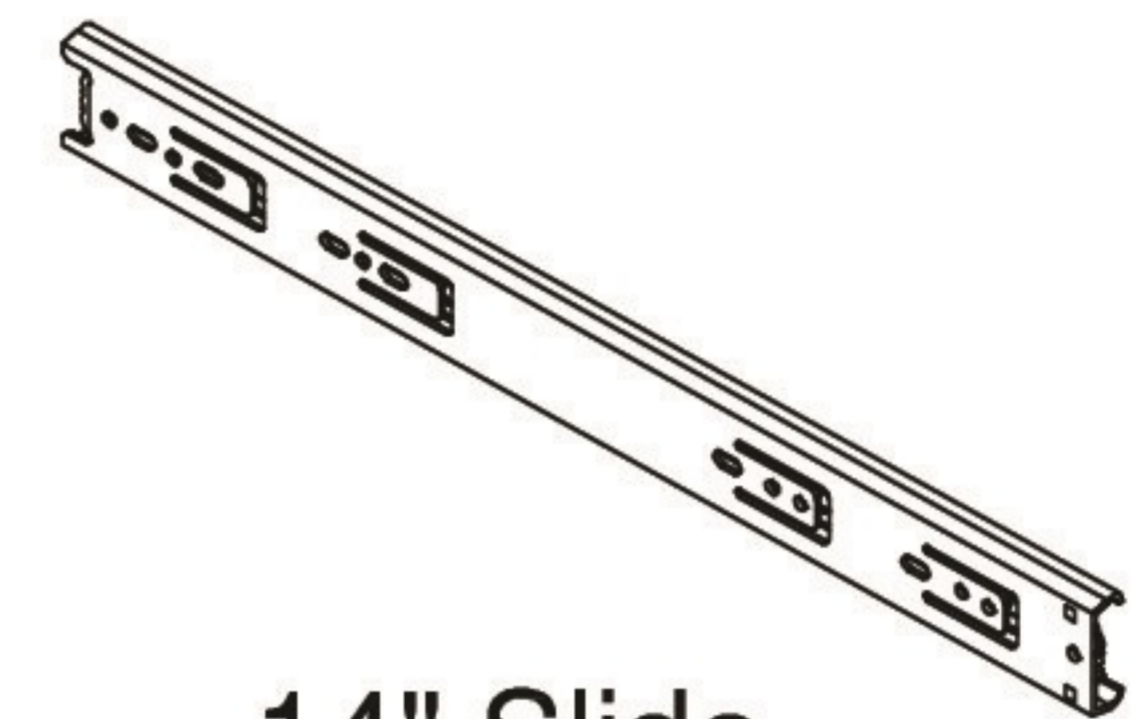
H170611



Hinge Arm

[ 2 ]

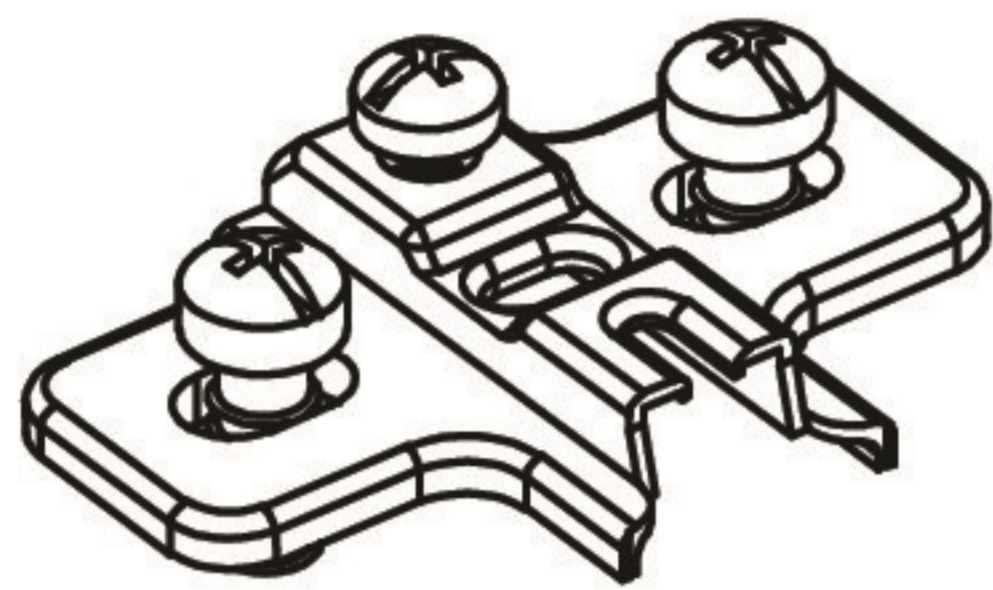
H167910



14" Slide  
350mm

[ 2 ]

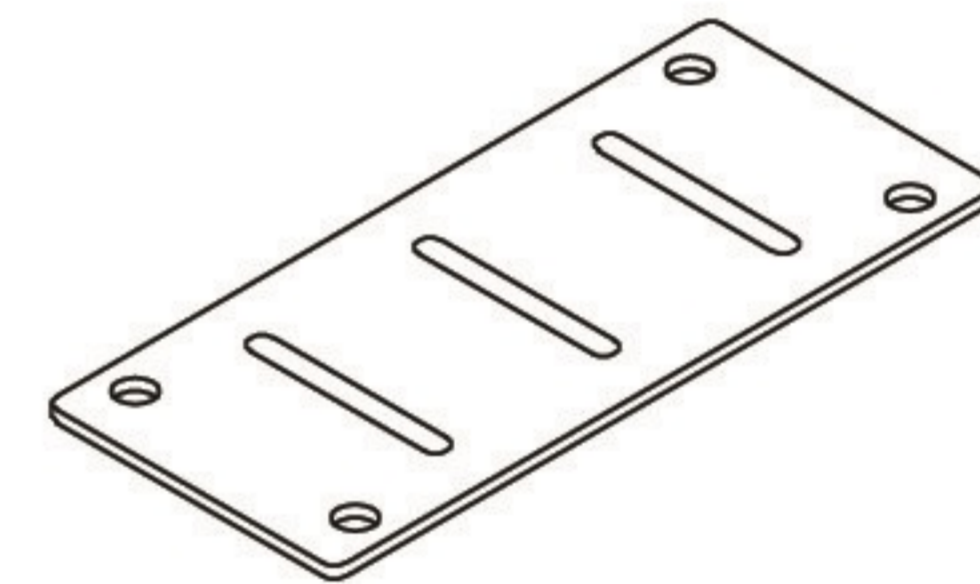
H170612



Mounting Plate

[ 2 ]

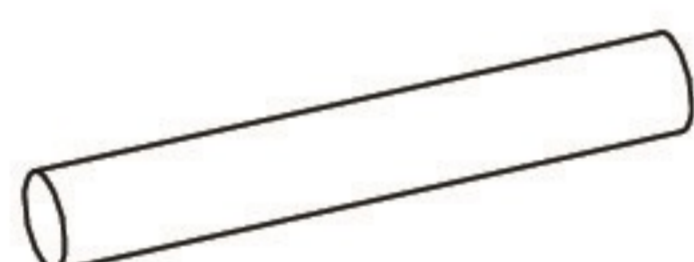
H39922



Strap

[ 4 ]

H23604



Shelf Pin

[ 4 ]

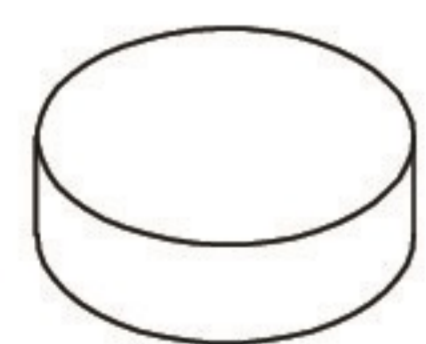
H126396



Shelf Pin Sleeve

[ 4 ]

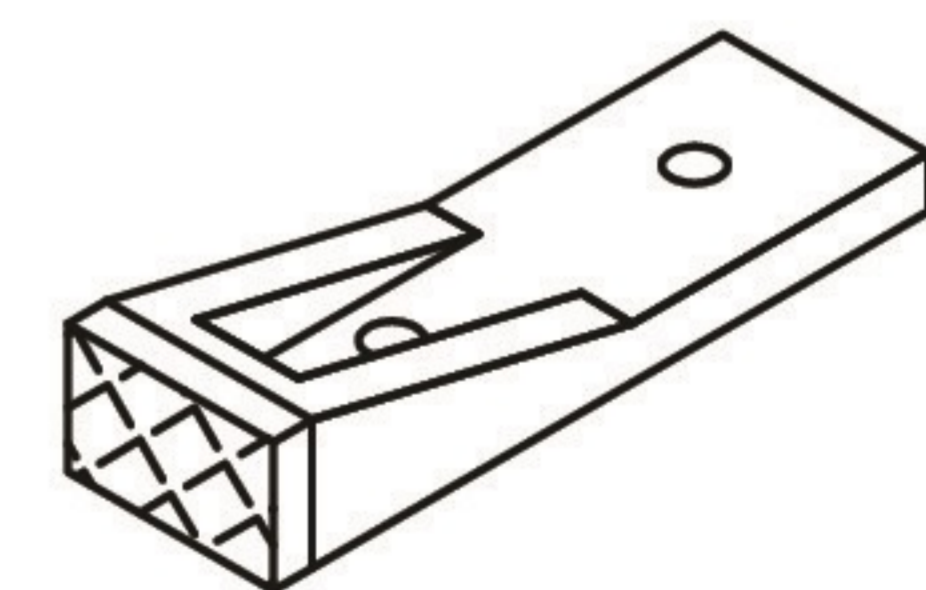
H180671



Bumper

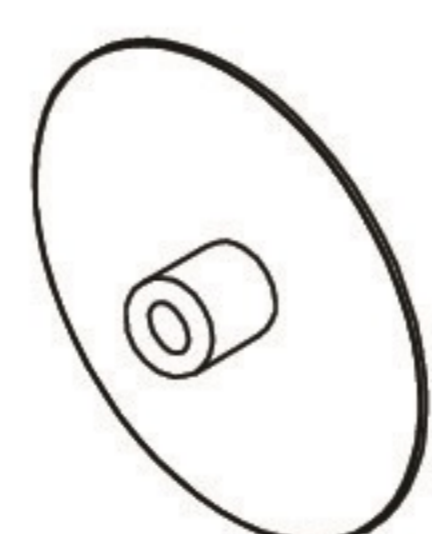
[ 2 ]

H153233



Stopper

[ 1 ]



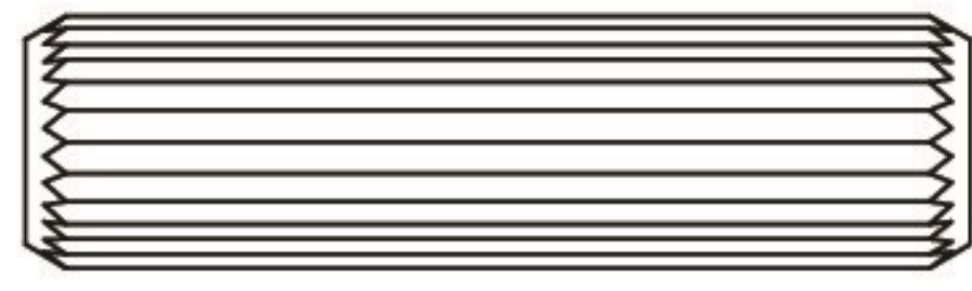
Cover Cap

[ 14 ]

# STEP 1

# Prepare Panel

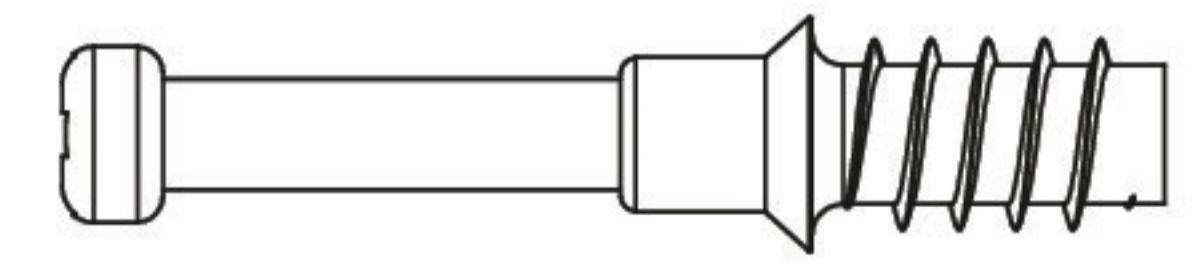
H38169



Wood Dowel  
8 x 30mm

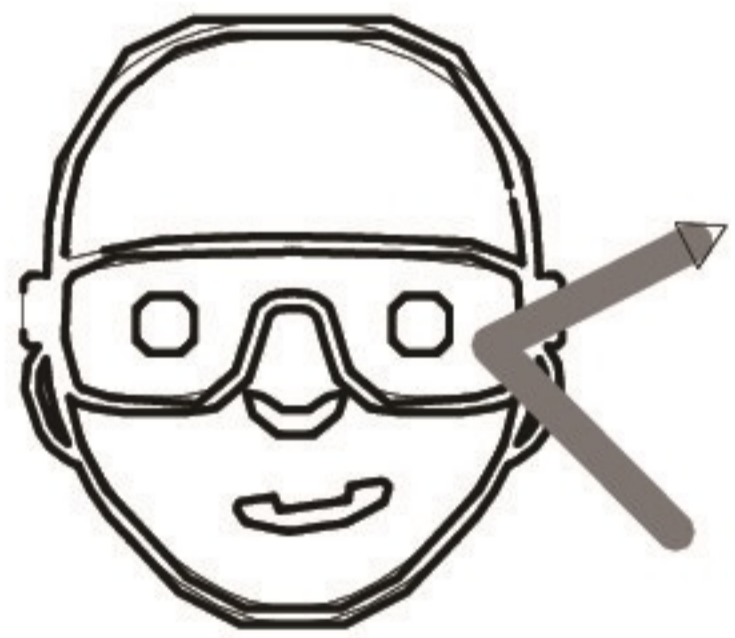
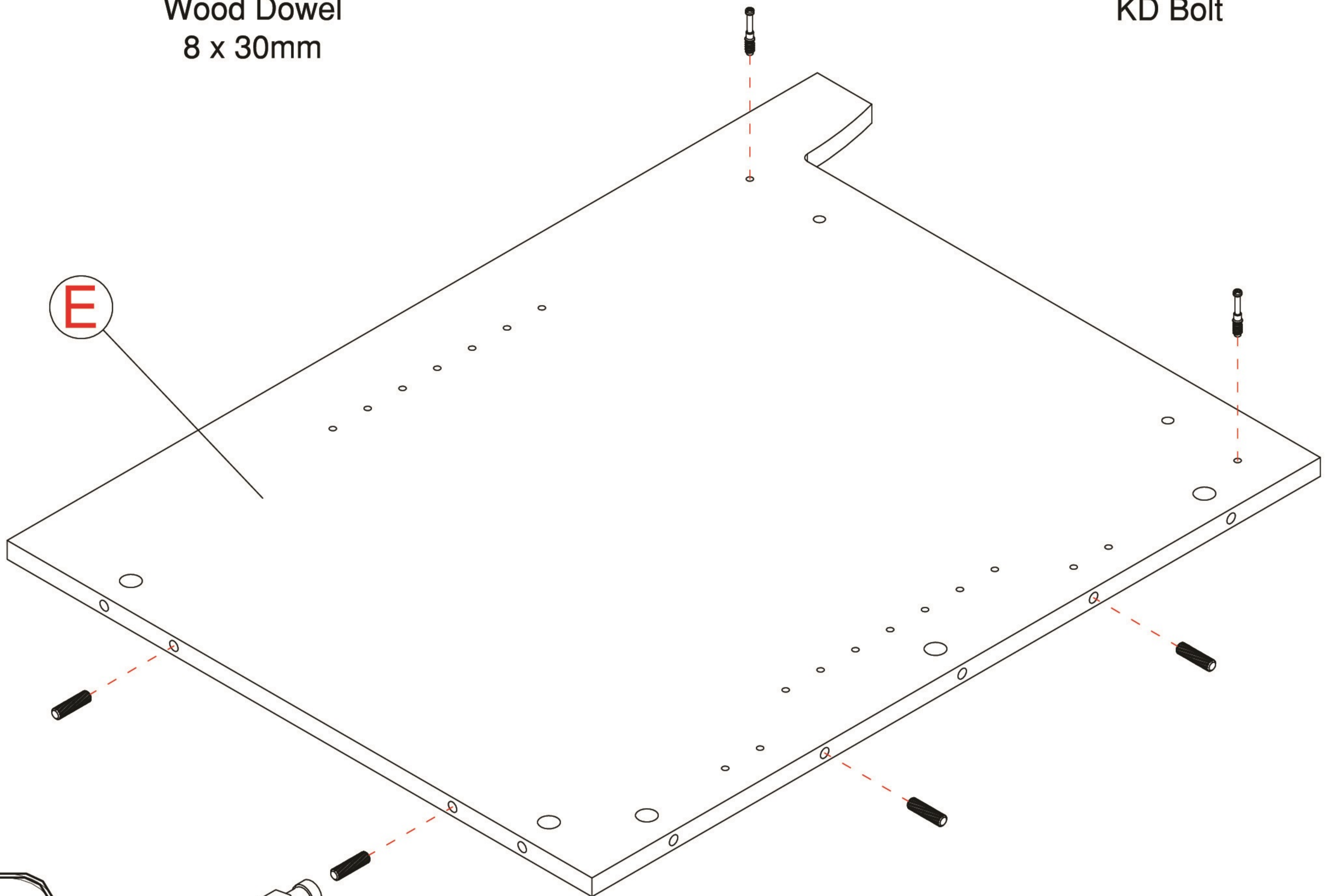
[ 4 ]

H180604

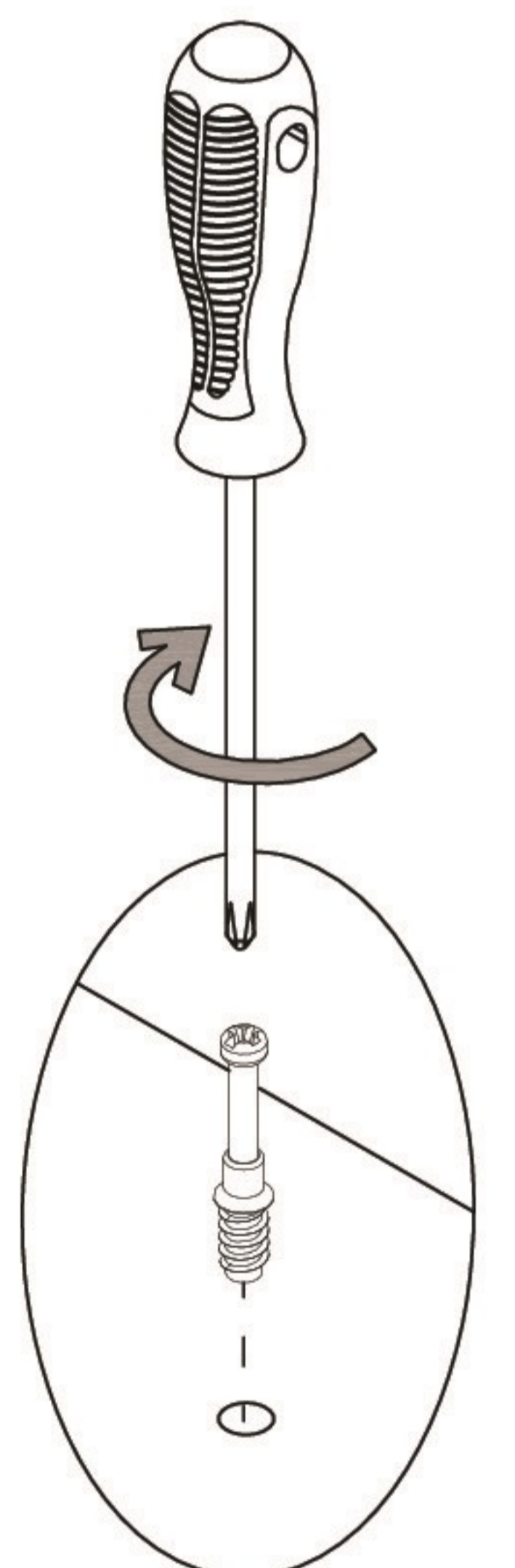
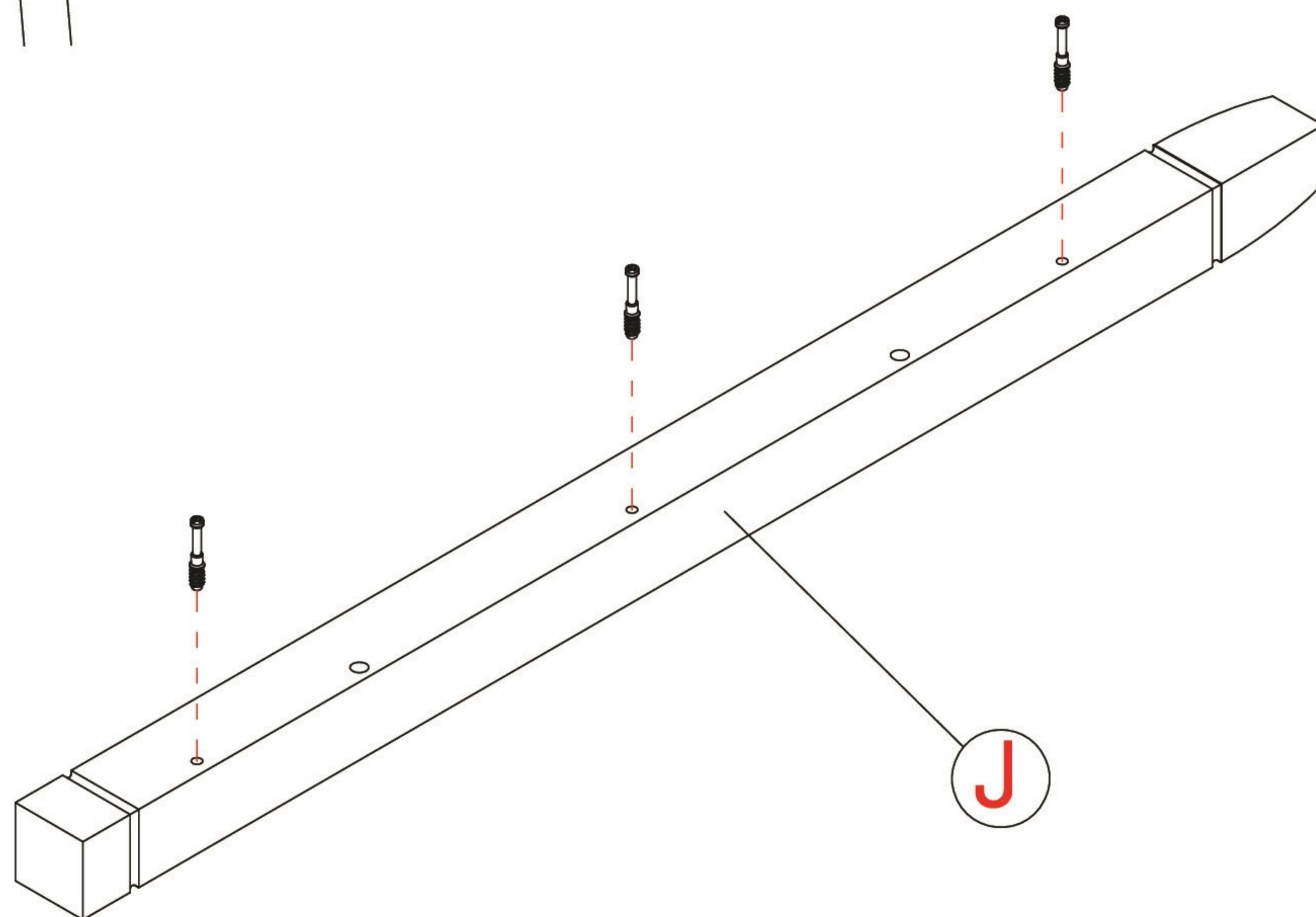
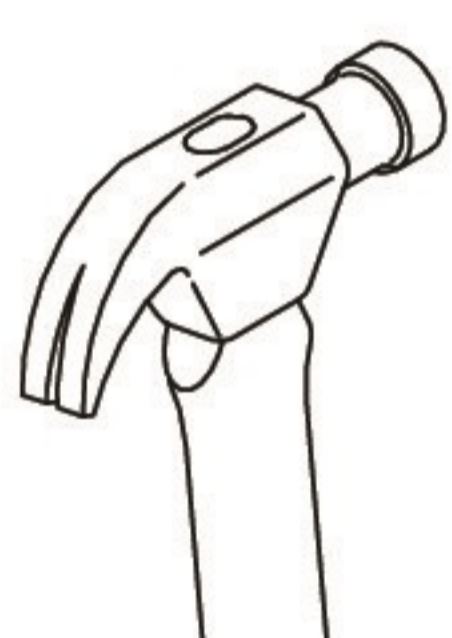


KD Bolt

[ 5 ]

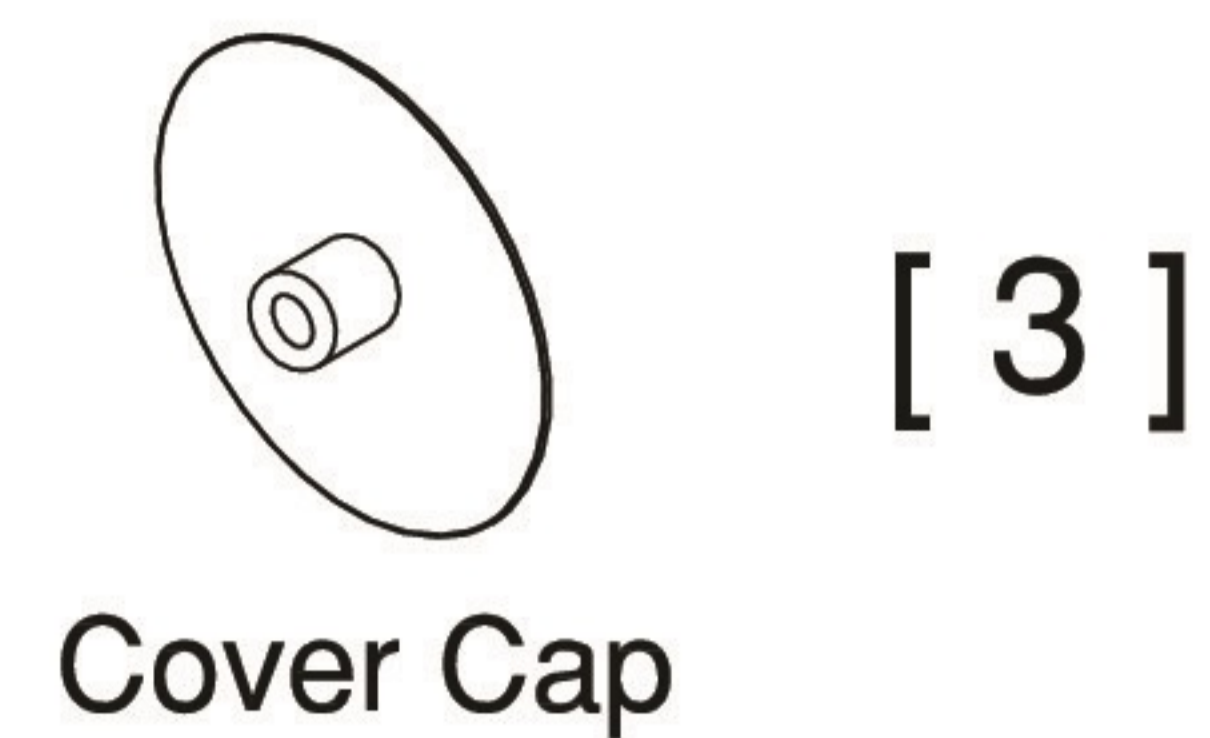
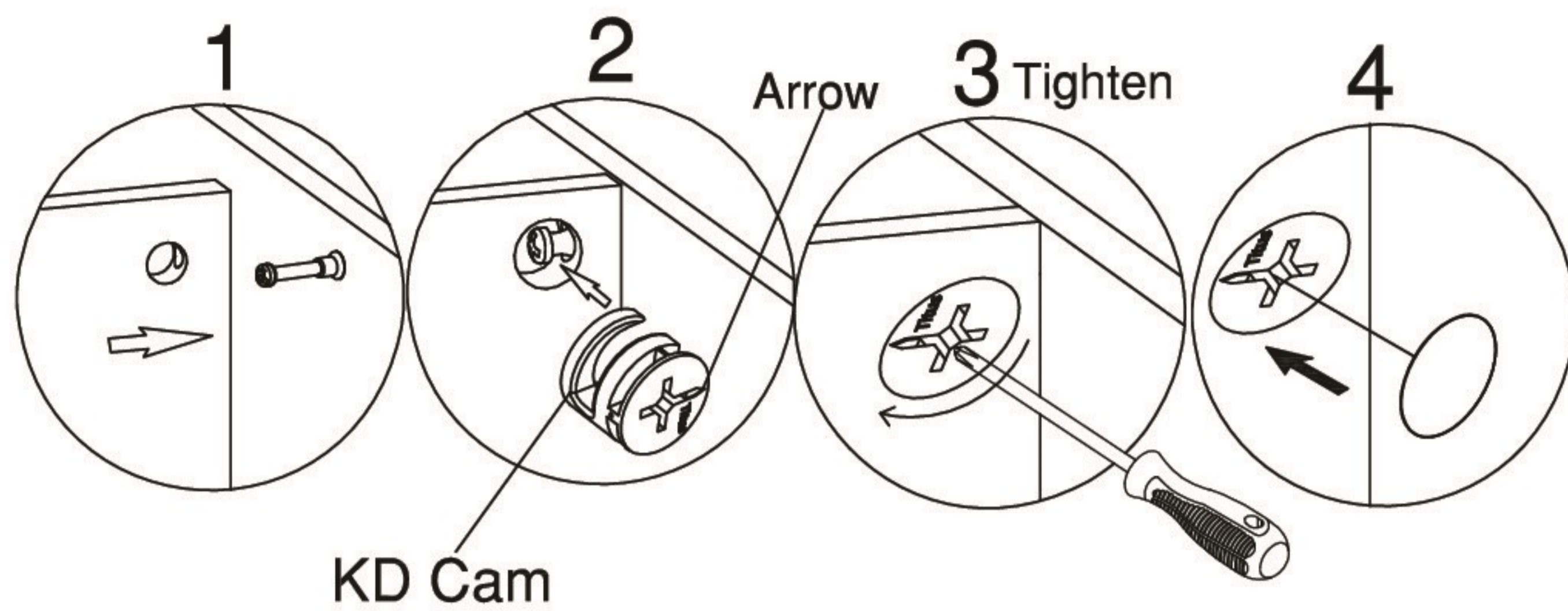


Safety glasses  
Gafas de seguridad  
Lunettes de protection

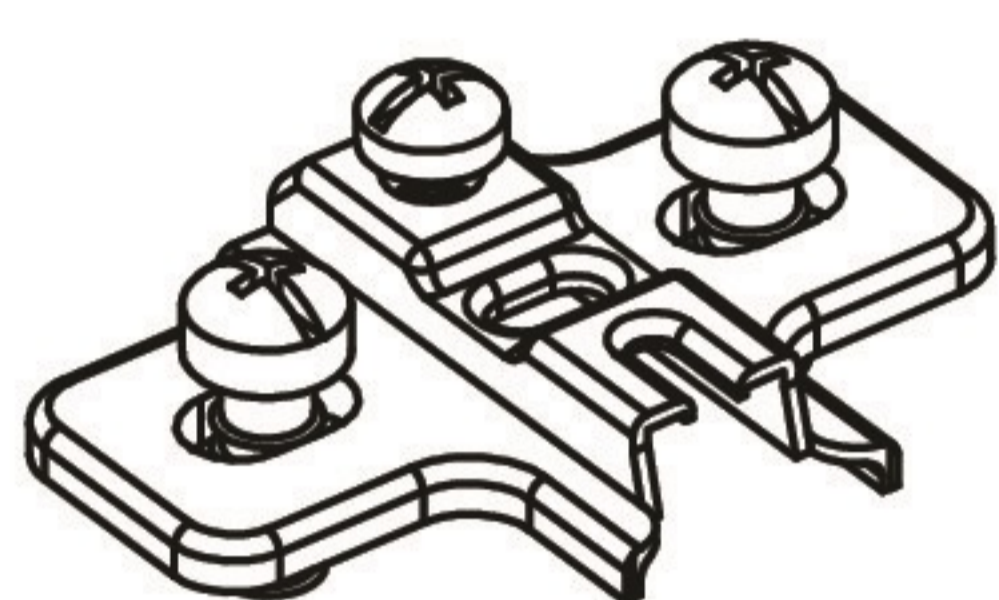


# STEP 2

# Assemble Panel

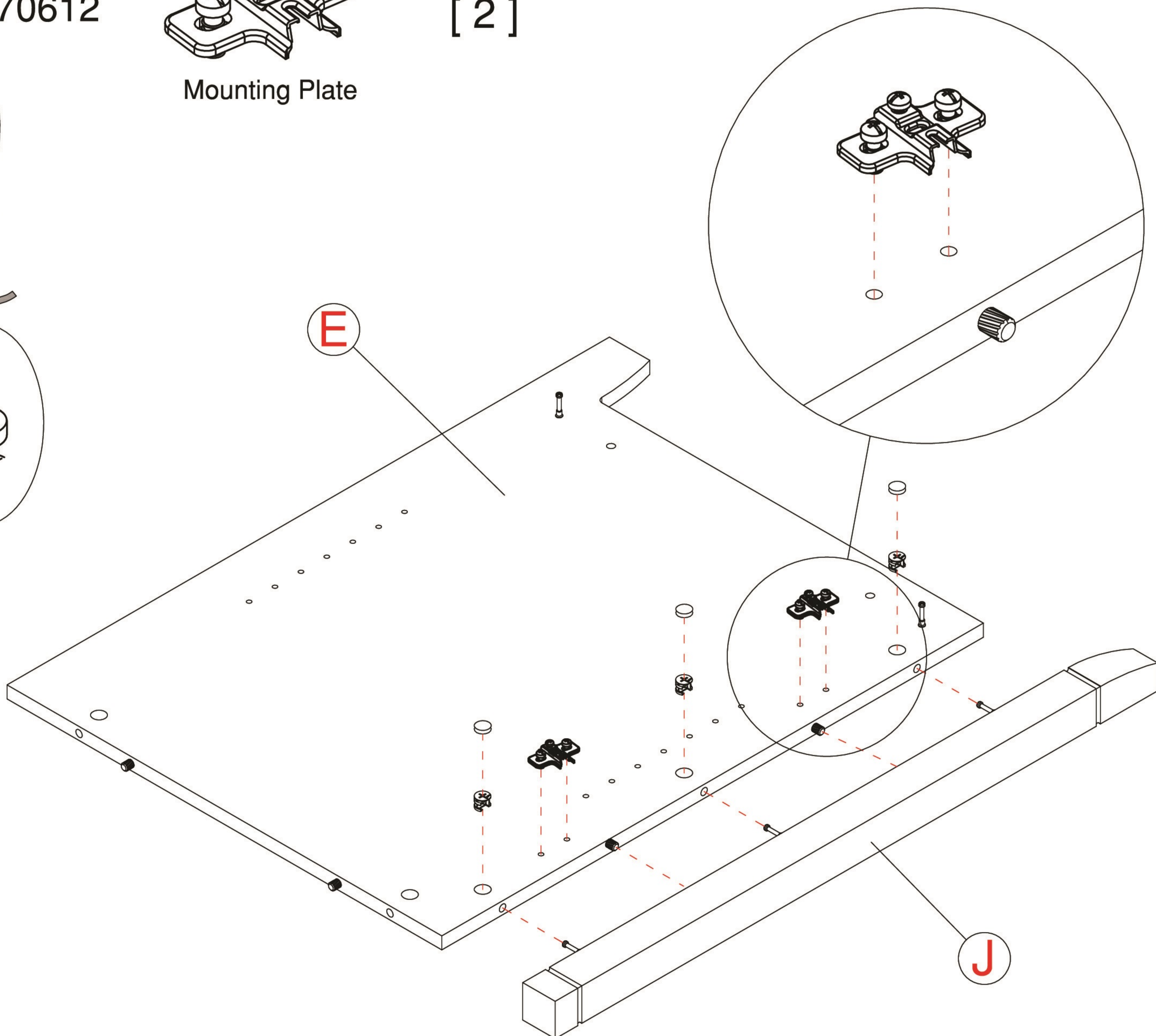
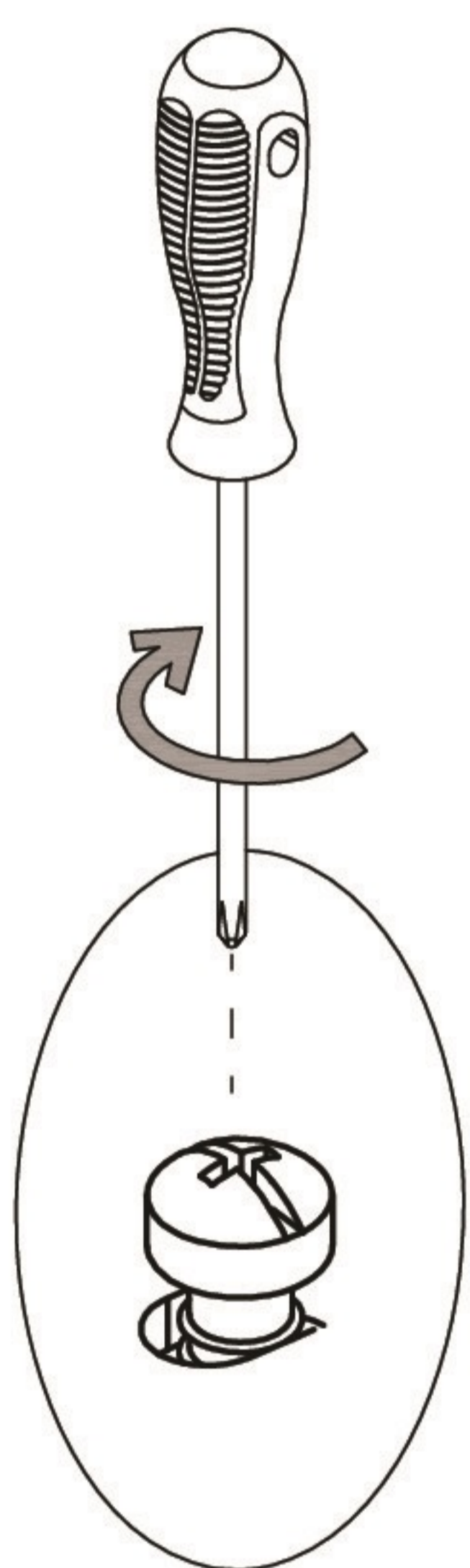


H170612



Mounting Plate

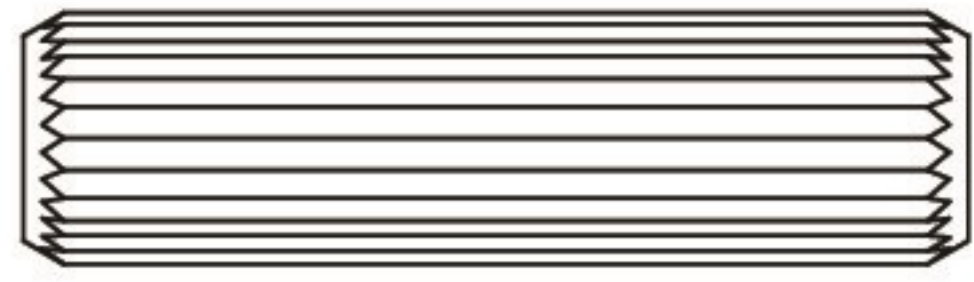
[ 2 ]



# STEP 3

# Prepare Panel

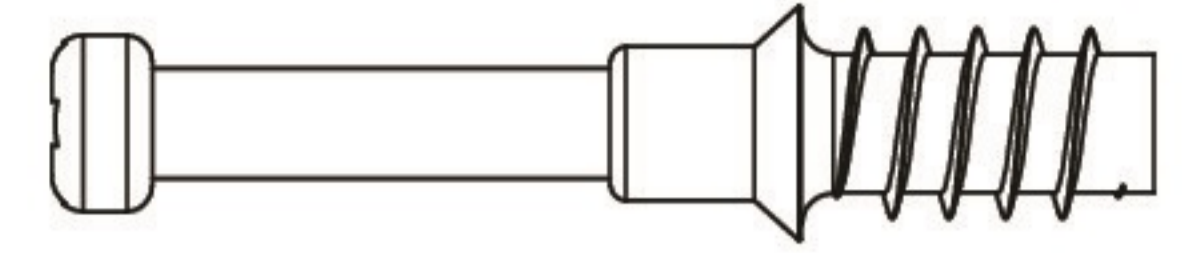
H38169



[ 2 ]

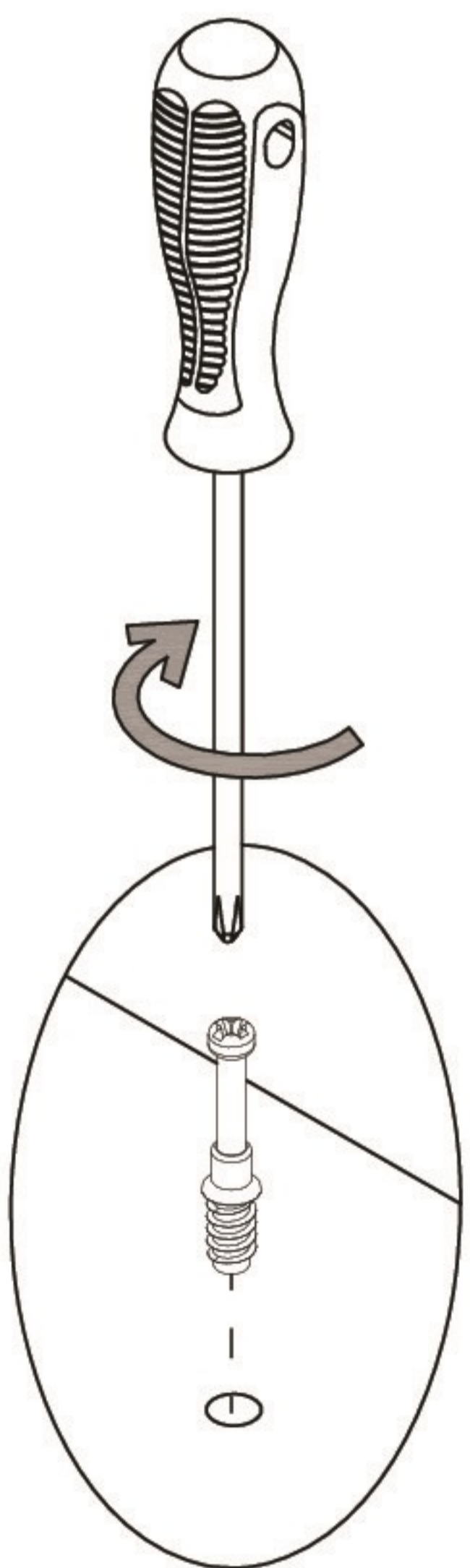
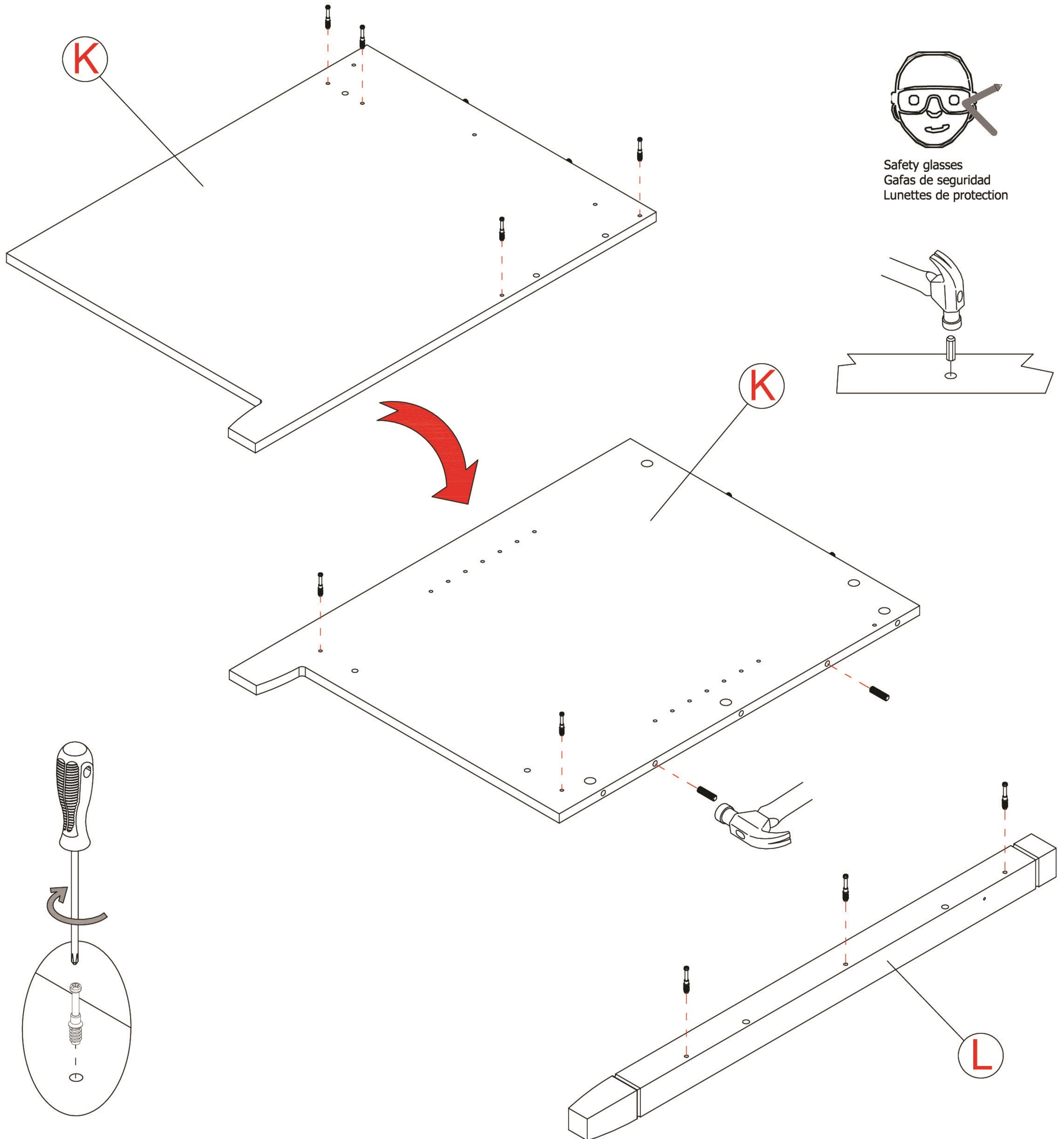
Wood Dowel  
8 x 30mm

H180604



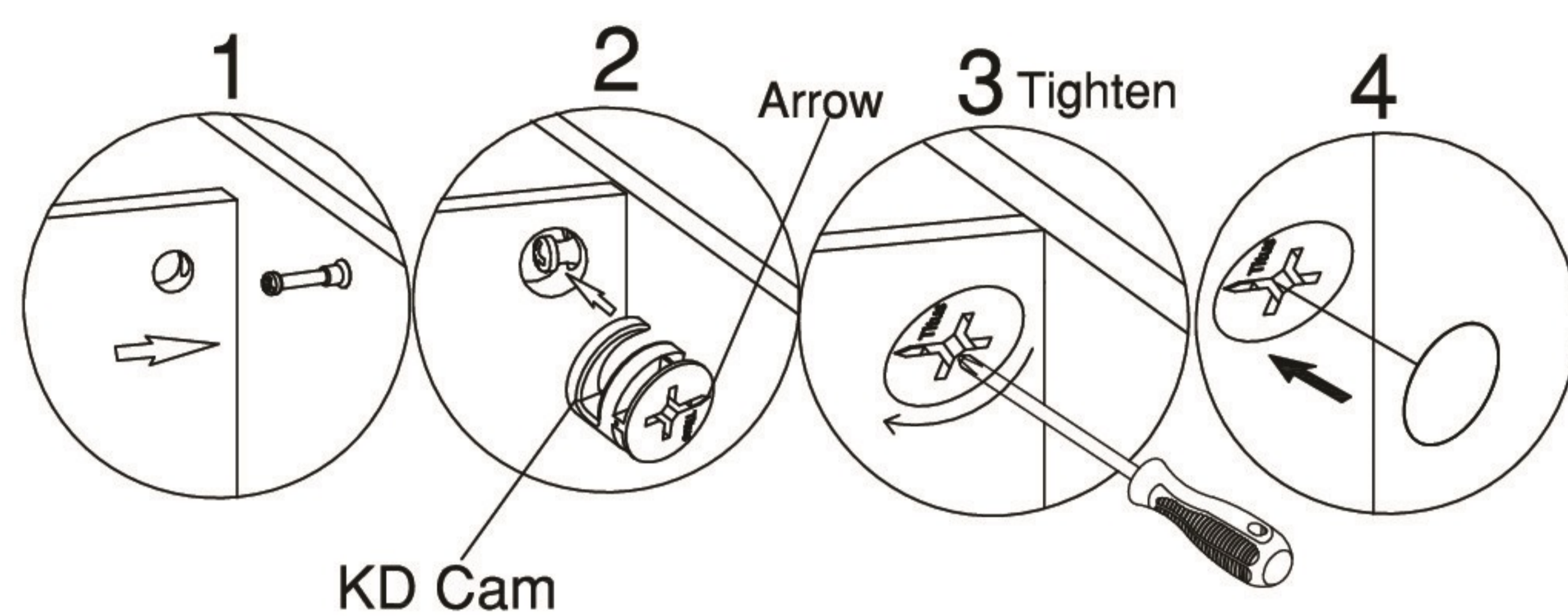
[ 9 ]

KD Bolt



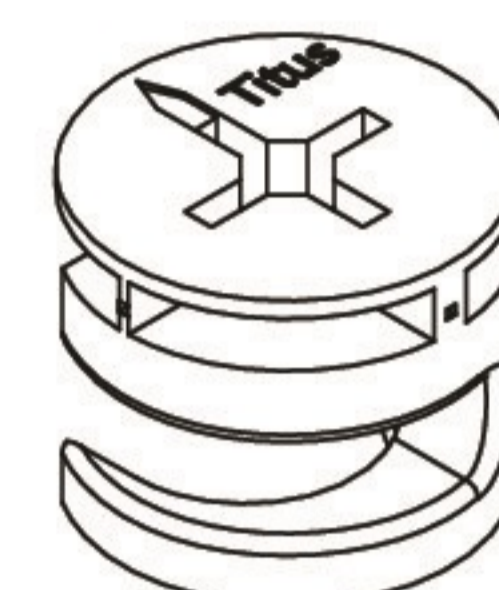
# STEP 4

# Assemble Panel



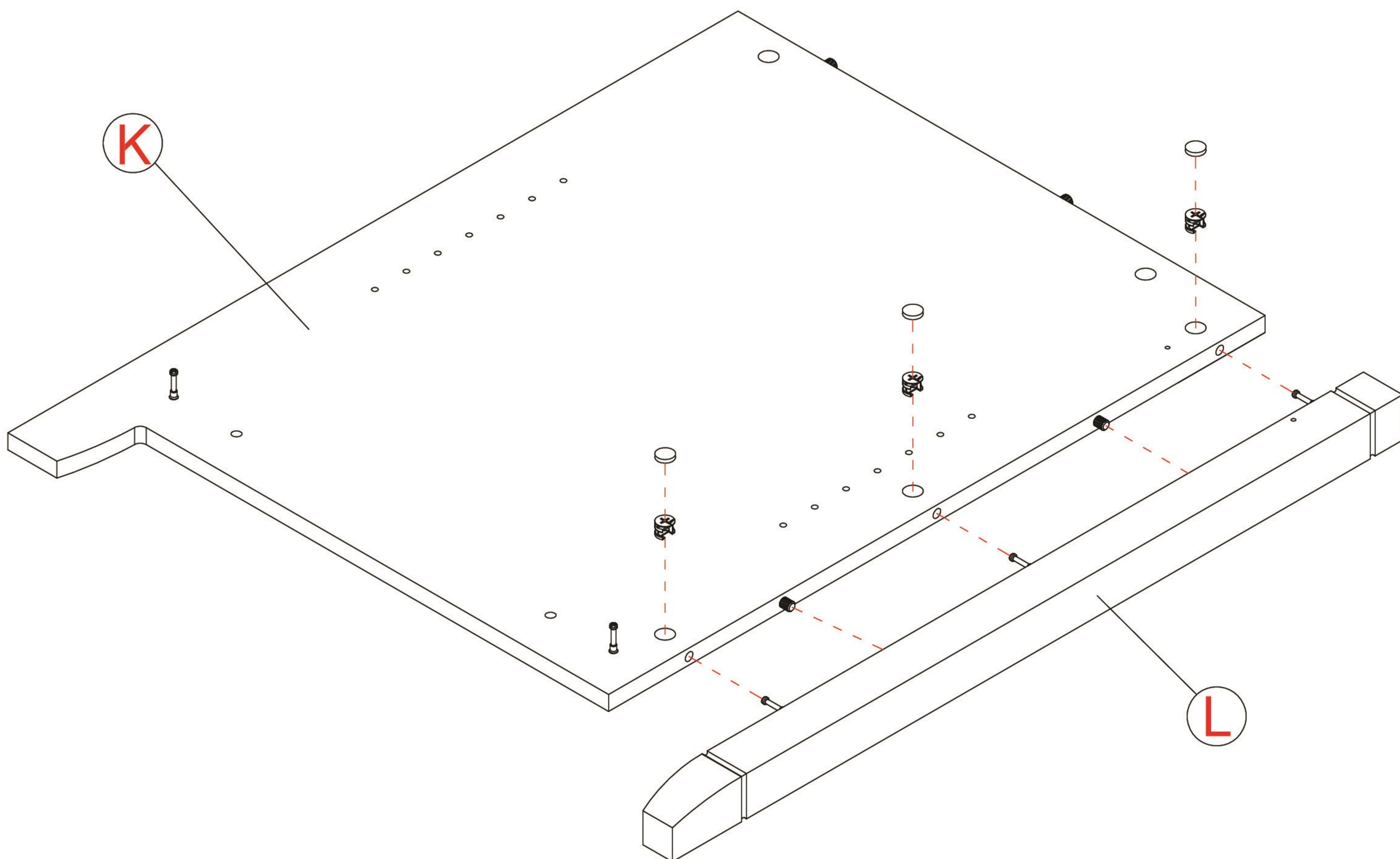
[ 3 ]

H181468



KD Cam

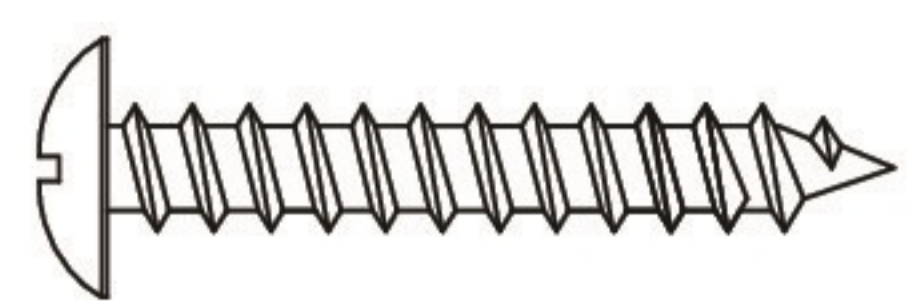
[ 3 ]



# STEP 5

# Prepare Panel

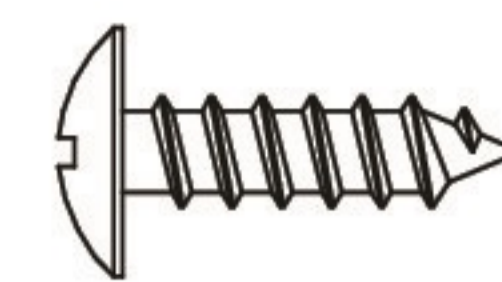
H22437



[ 3 ]

#8 x 1"

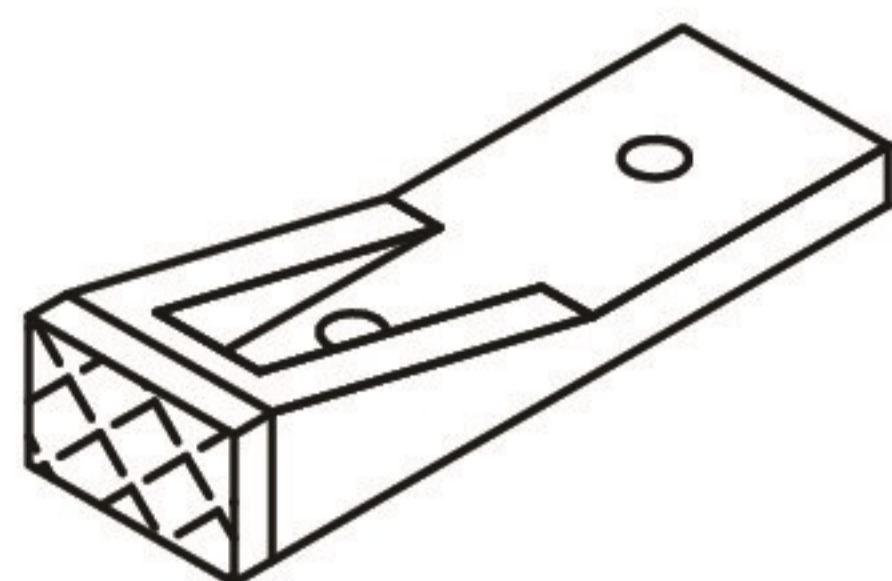
H101725



[ 2 ]

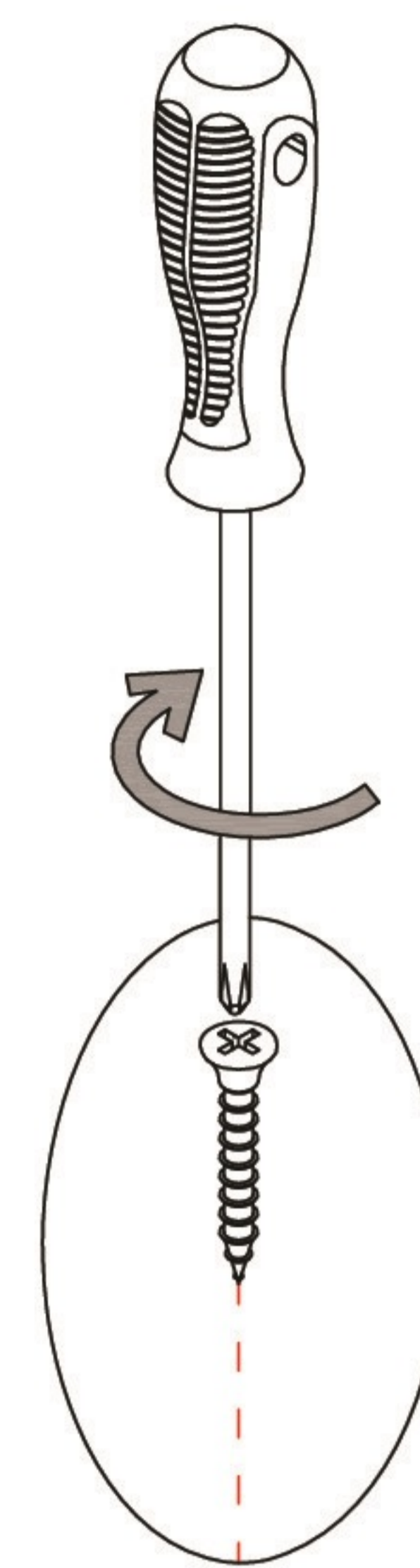
#6 x 1/2"

H153233

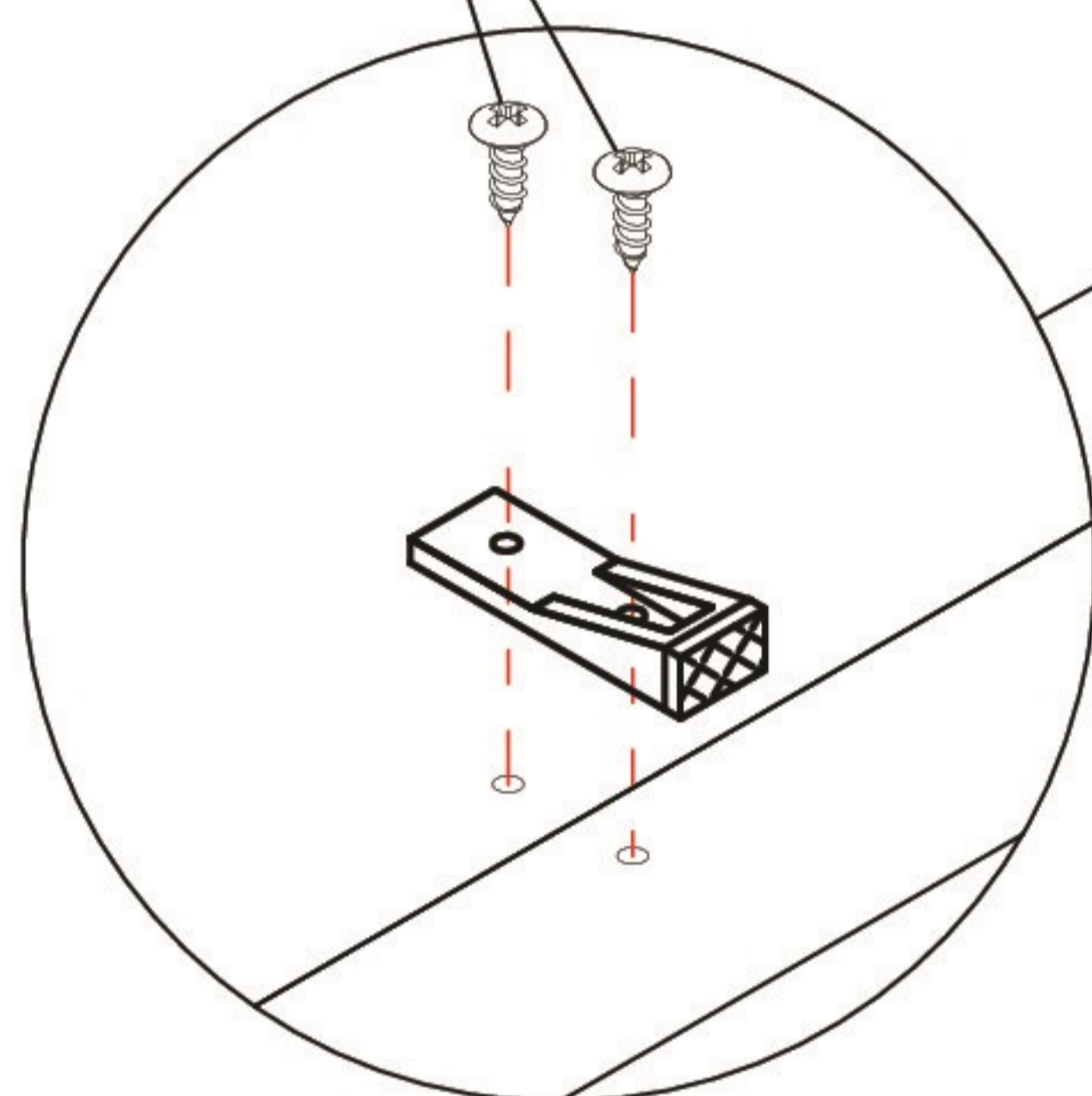


[ 1 ]

Stopper



H101725

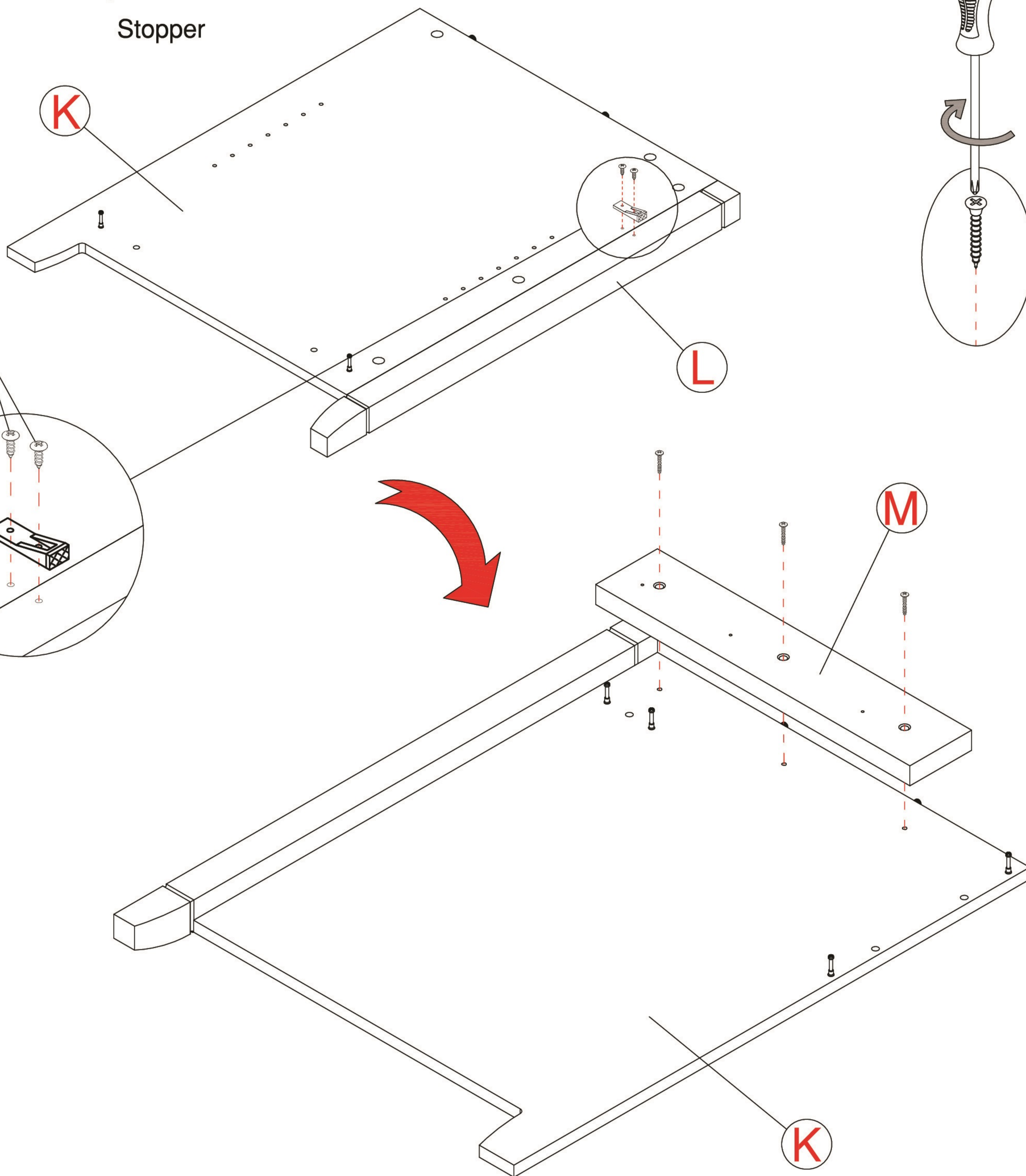
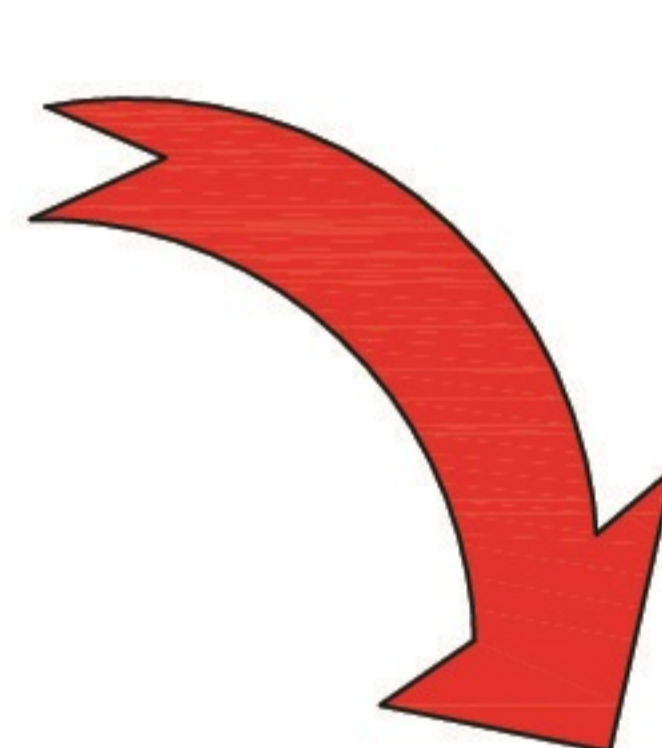


K

L

M

K



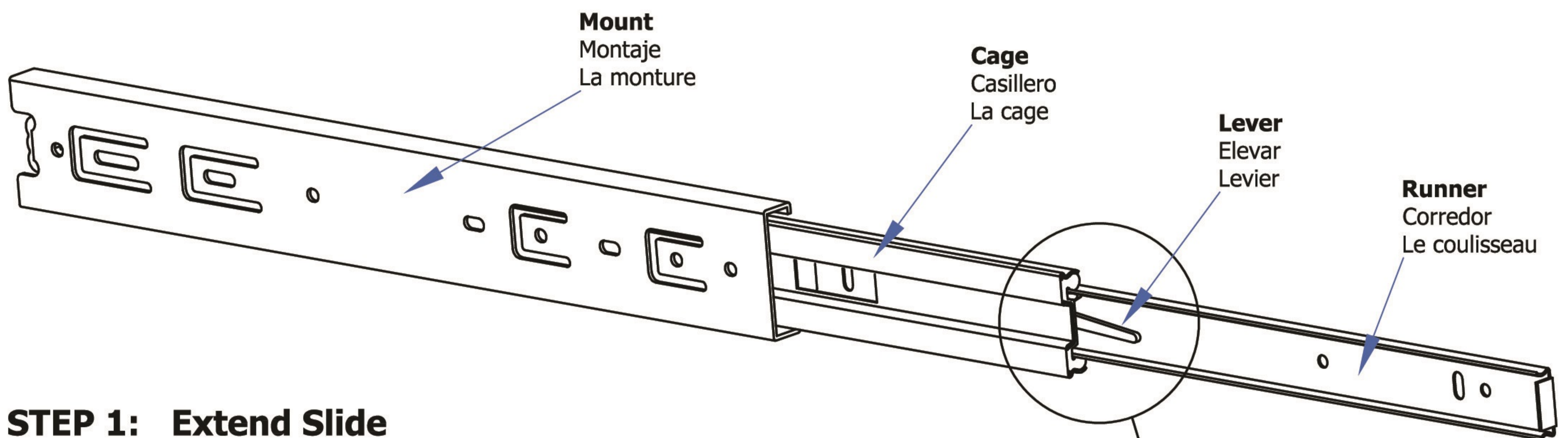
# STEP 6

# Separate Slides

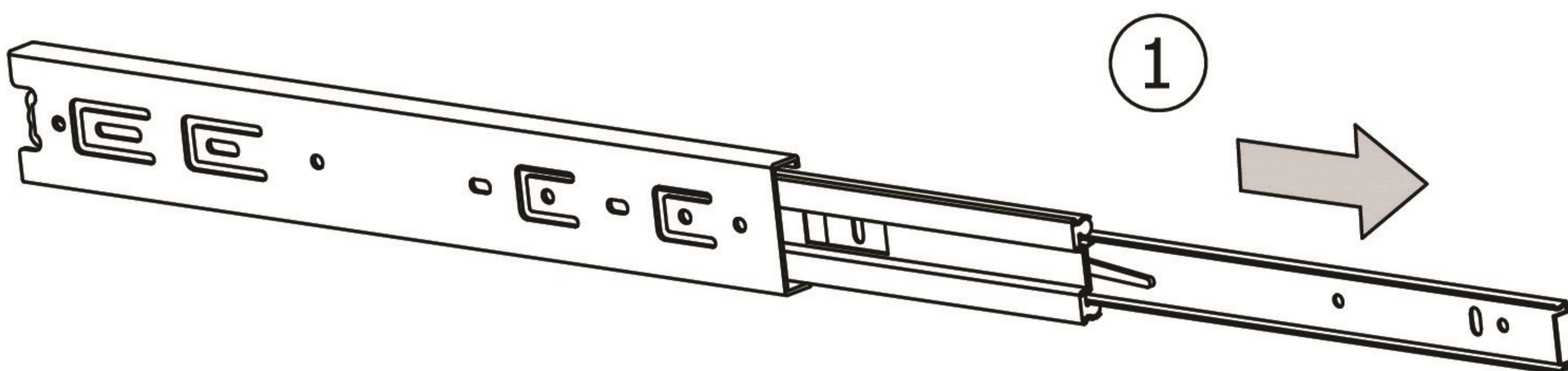
**Slides Must Be Separated Before Assembly.  
After Separated, Set Aside Until Needed for Assembly.**

Las diapositivas deben separarse antes del montaje.  
Después de la separación, déjelo a un lado hasta que sea necesario.

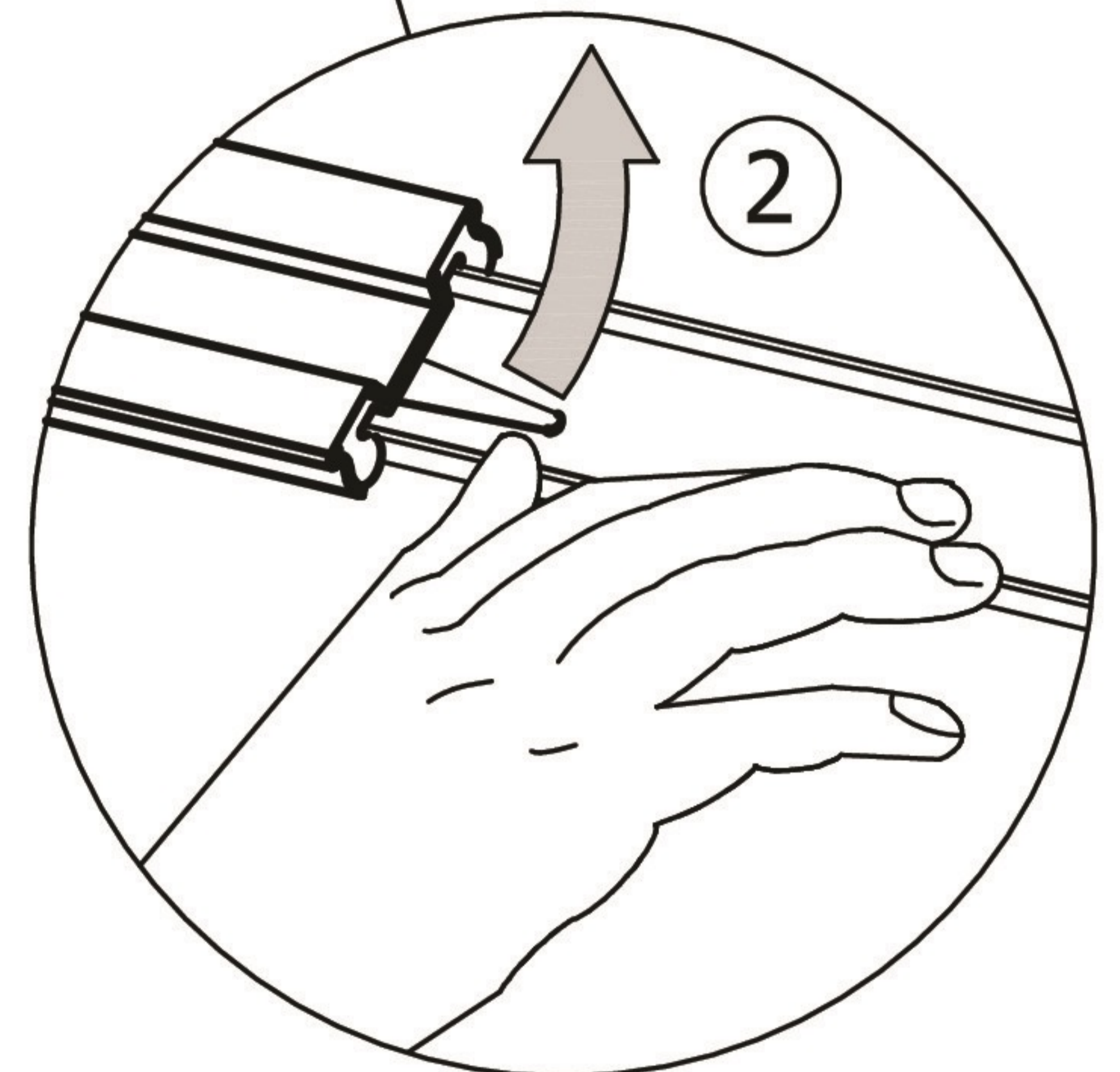
Les glissières doivent être séparées avant l'assemblage.  
Après la séparation, mettez de côté jusqu'au moment de l'assemblage.



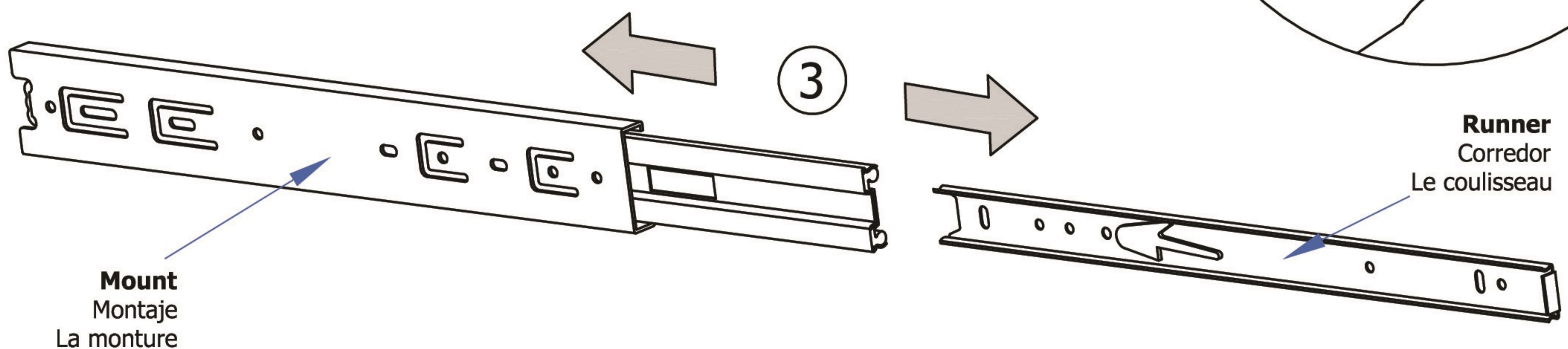
**STEP 1: Extend Slide**  
Extender la diapositiva  
Extendre la diapositive



**STEP 2: Push Lever UP**  
Empujar hacia arriba  
Lever le levier



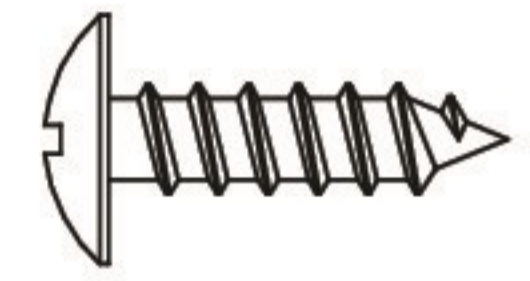
**STEP 3: Remove Runner**  
Quitar el corredor  
Enlever le coureur



# STEP 7

# Install Mount

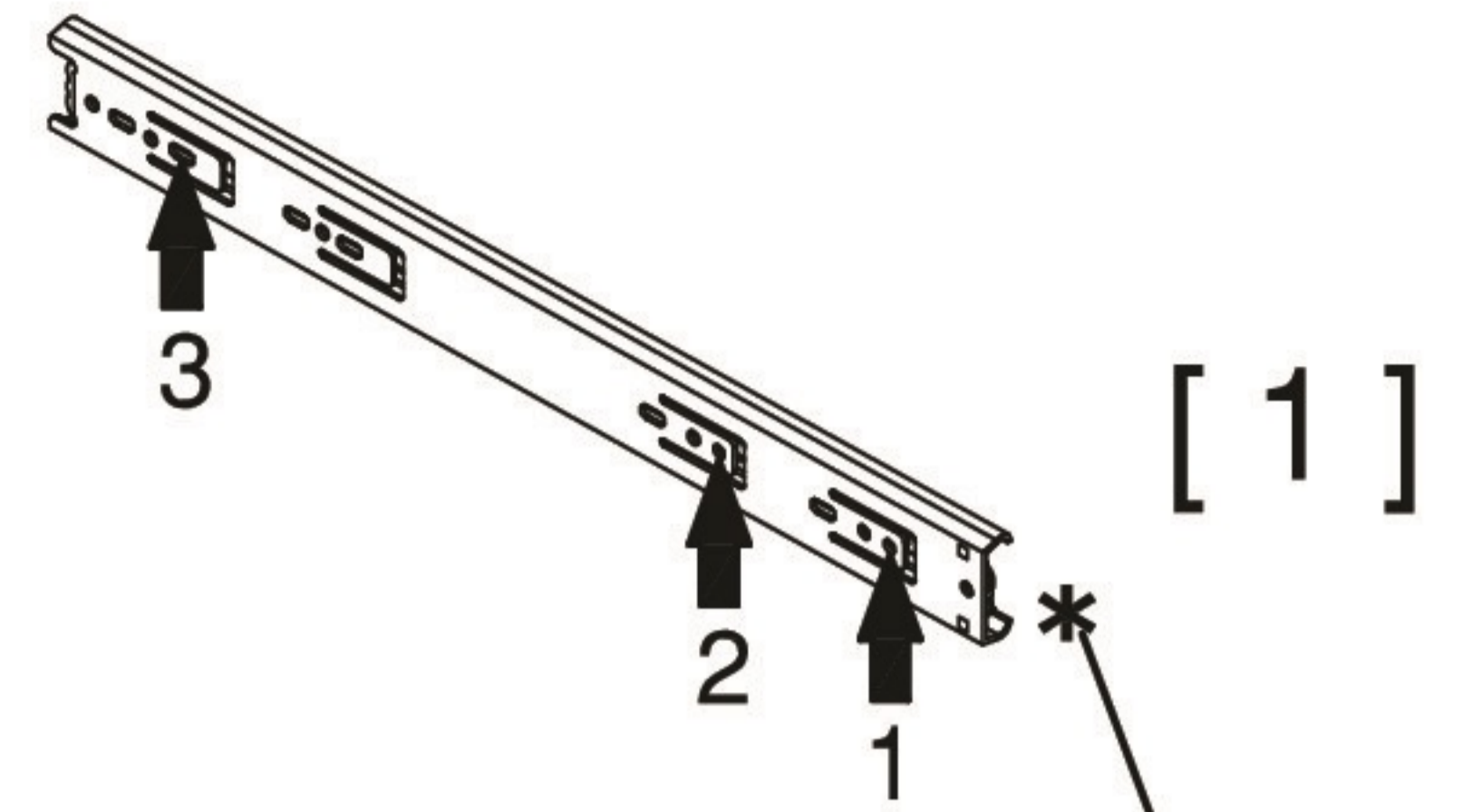
H101725



[ 3 ]

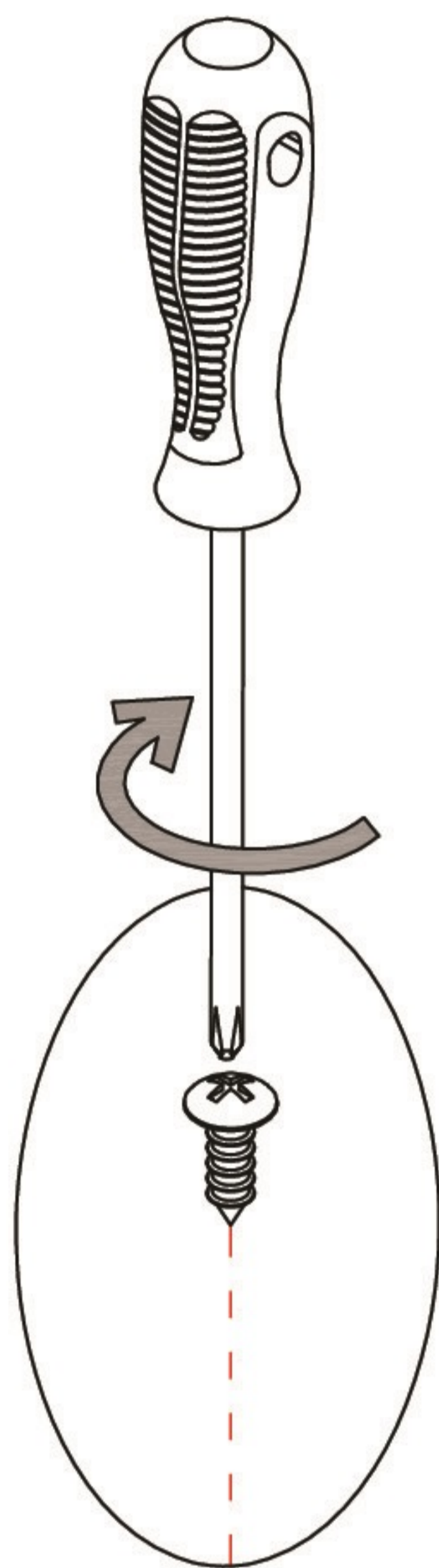
#6 x 1/2"

H167910



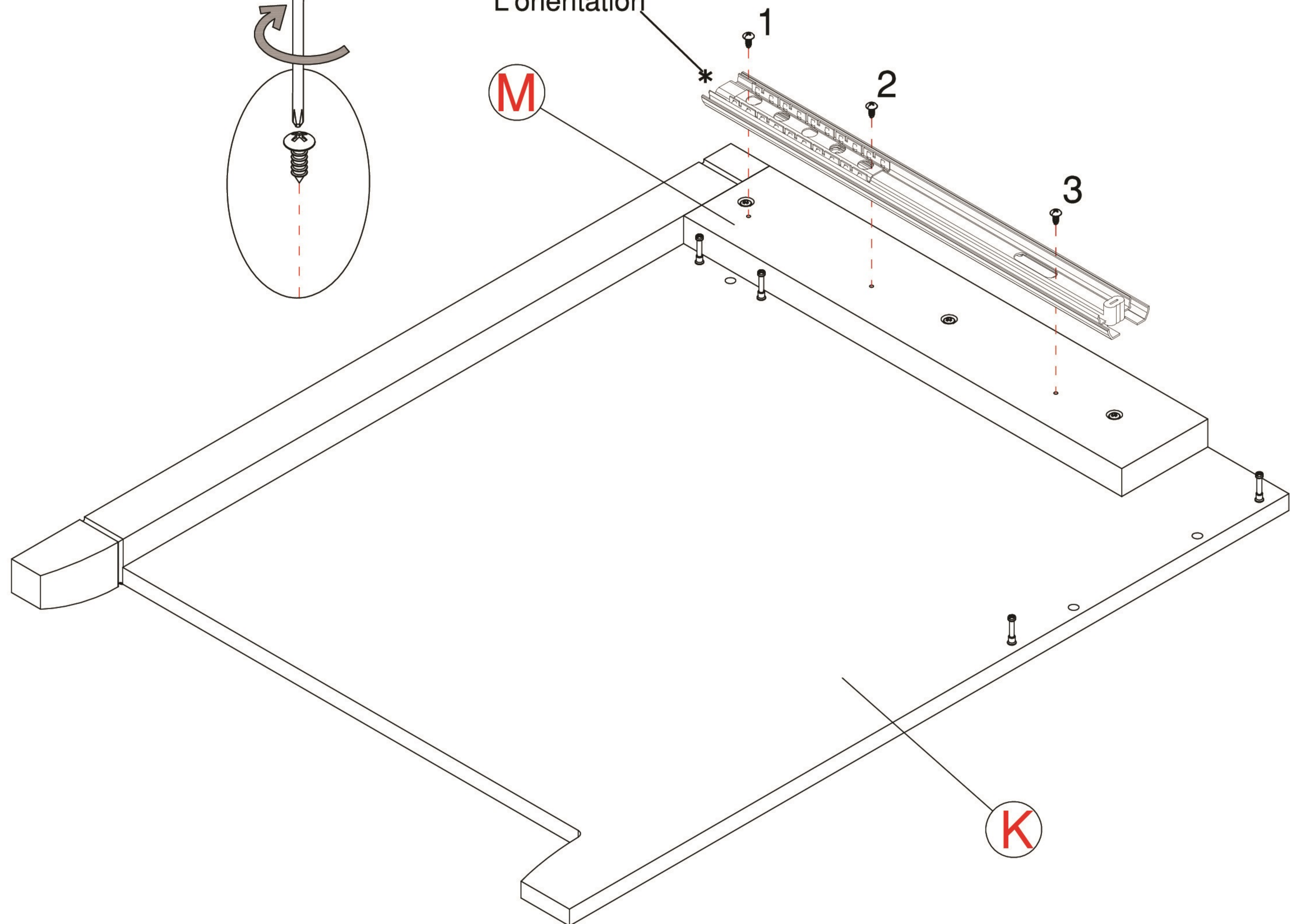
14" Slide Mount  
350mm

Orientation  
Orientación  
L'orientation



Orientation  
Orientación  
L'orientation

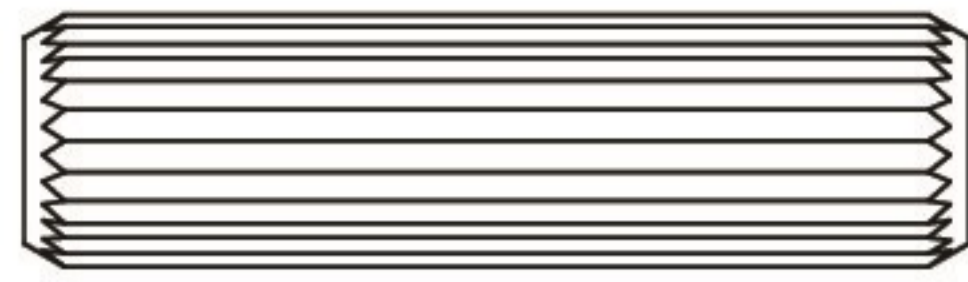
M



# STEP 8

# Prepare Panel

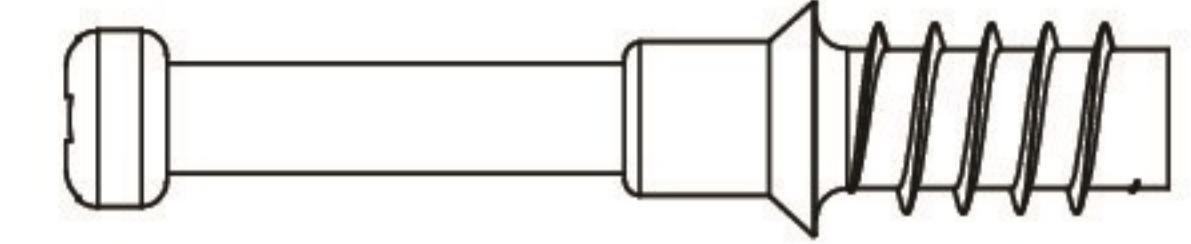
H38169



[ 5 ]

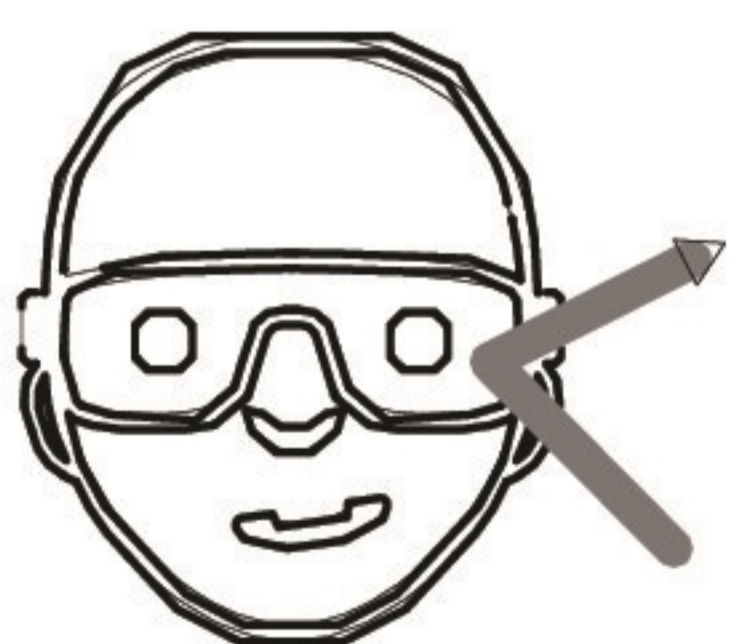
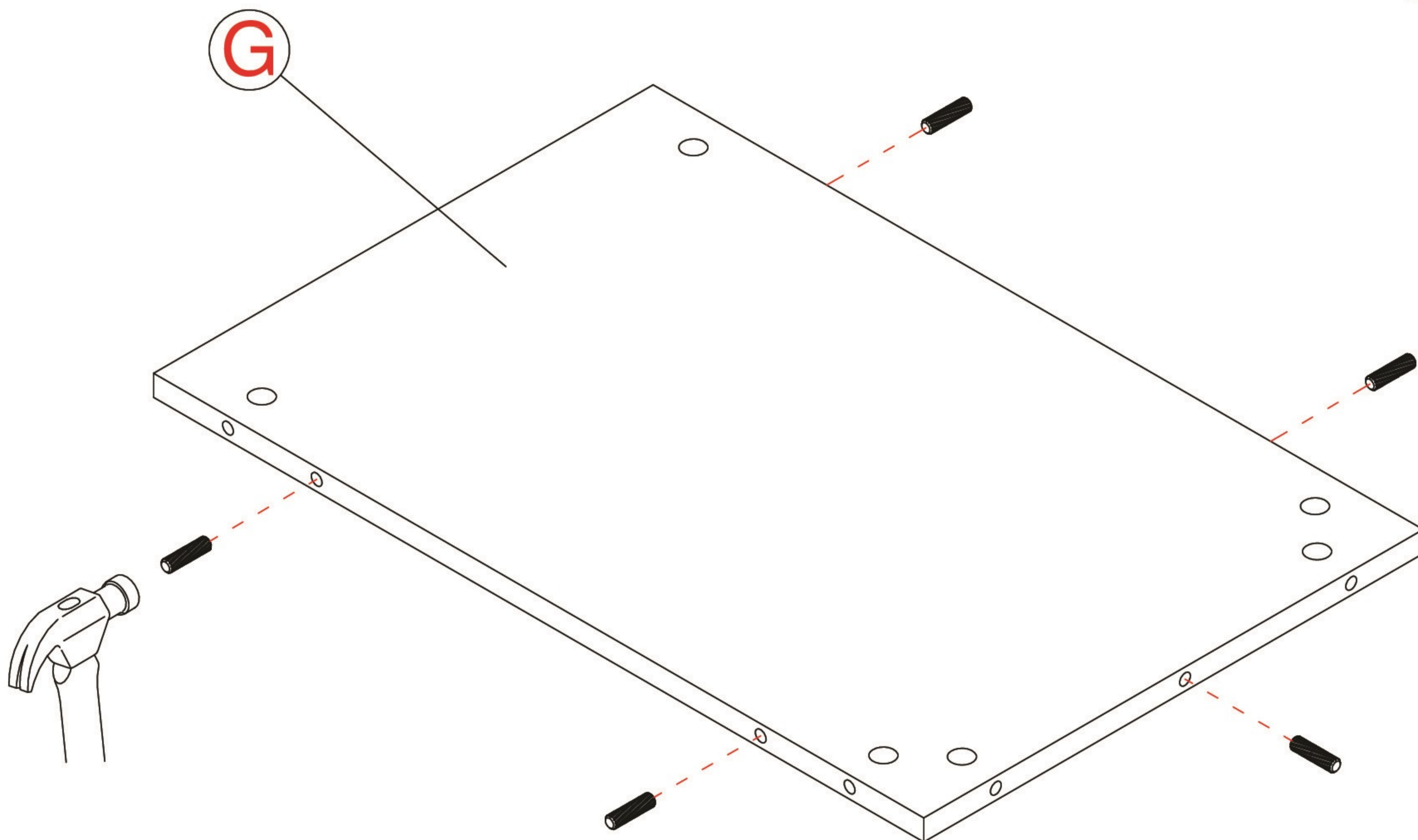
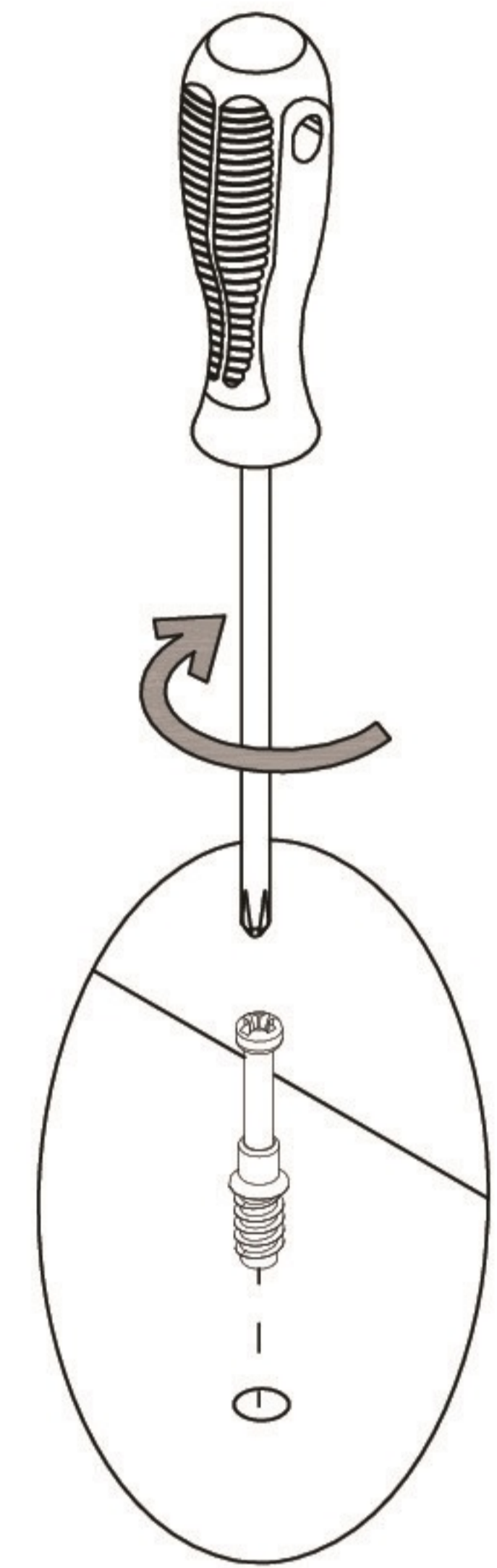
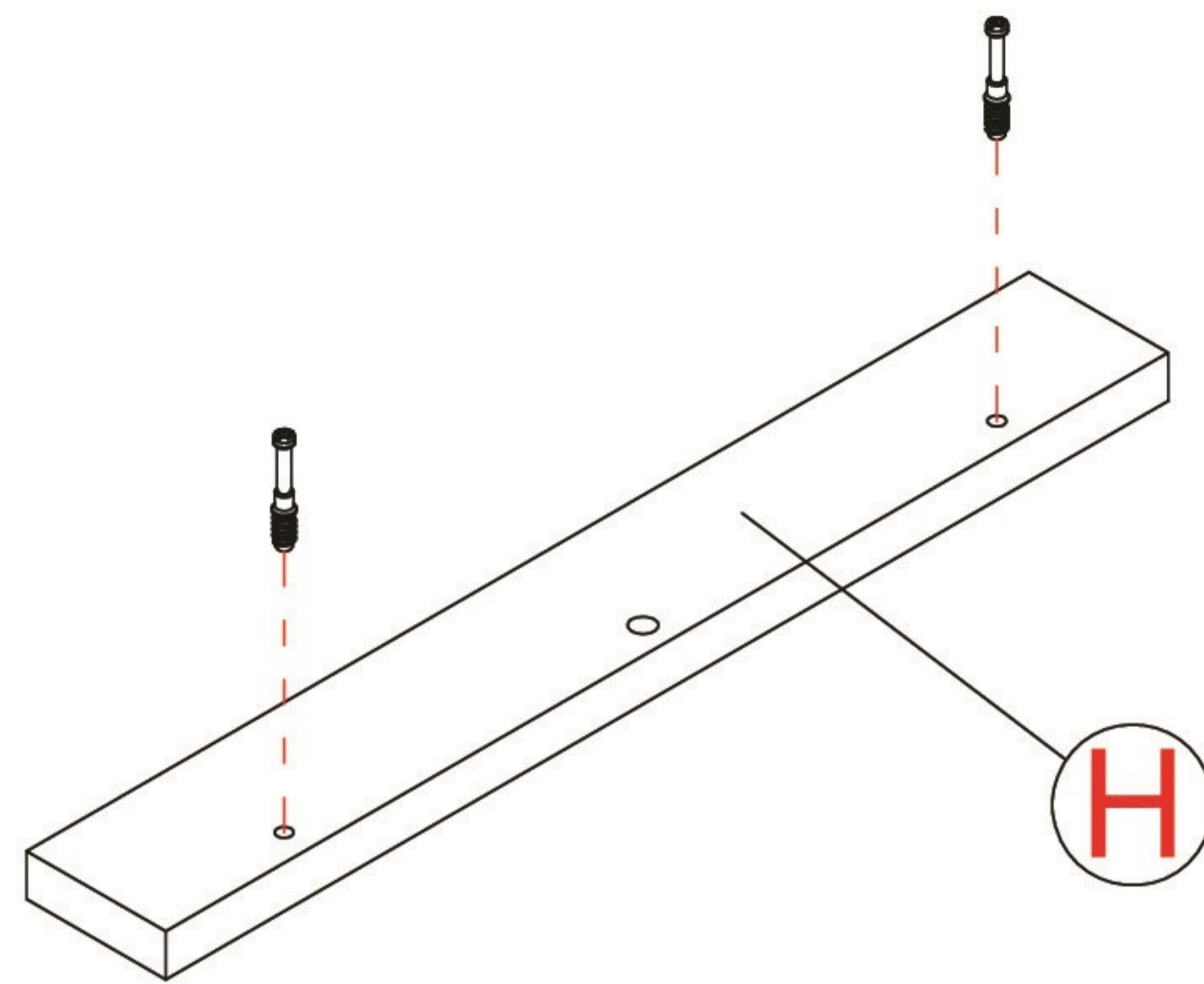
Wood Dowel  
8 x 30mm

H180604



[ 2 ]

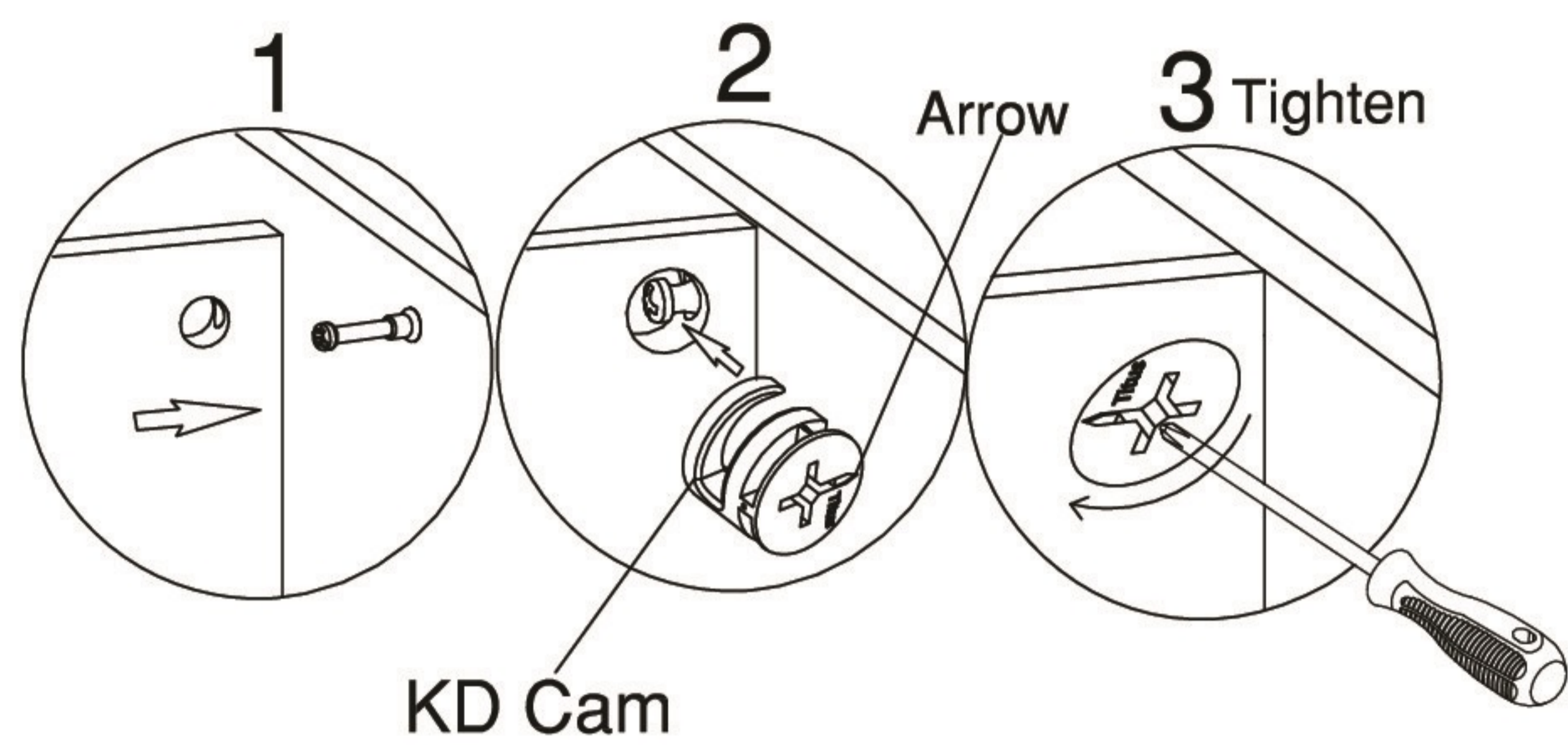
KD Bolt



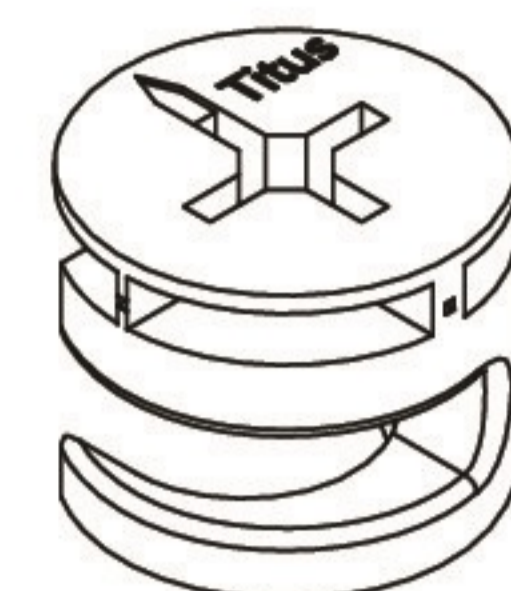
Safety glasses  
Gafas de seguridad  
Lunettes de protection

# STEP 9

# Assemble Panel

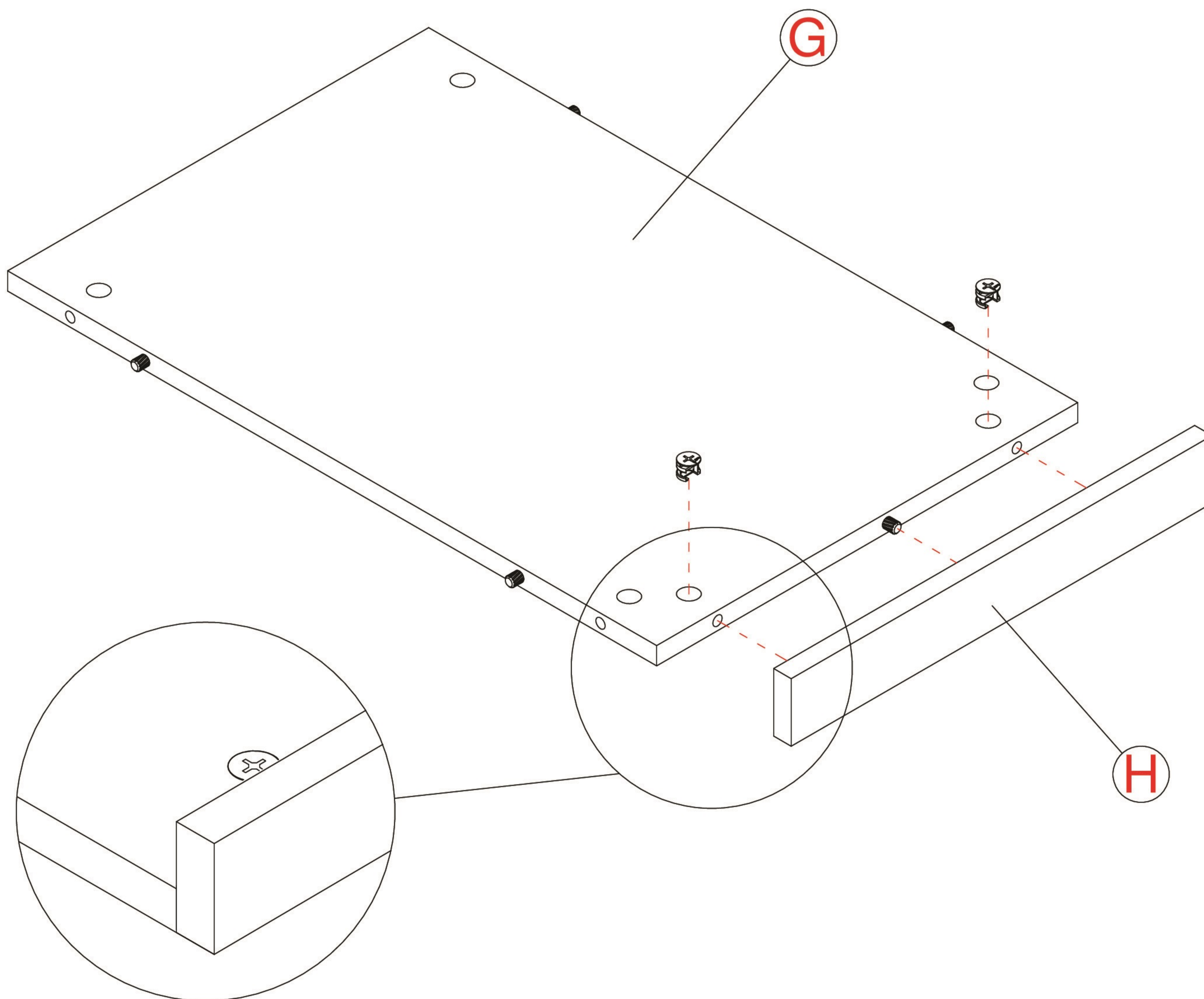


H181468



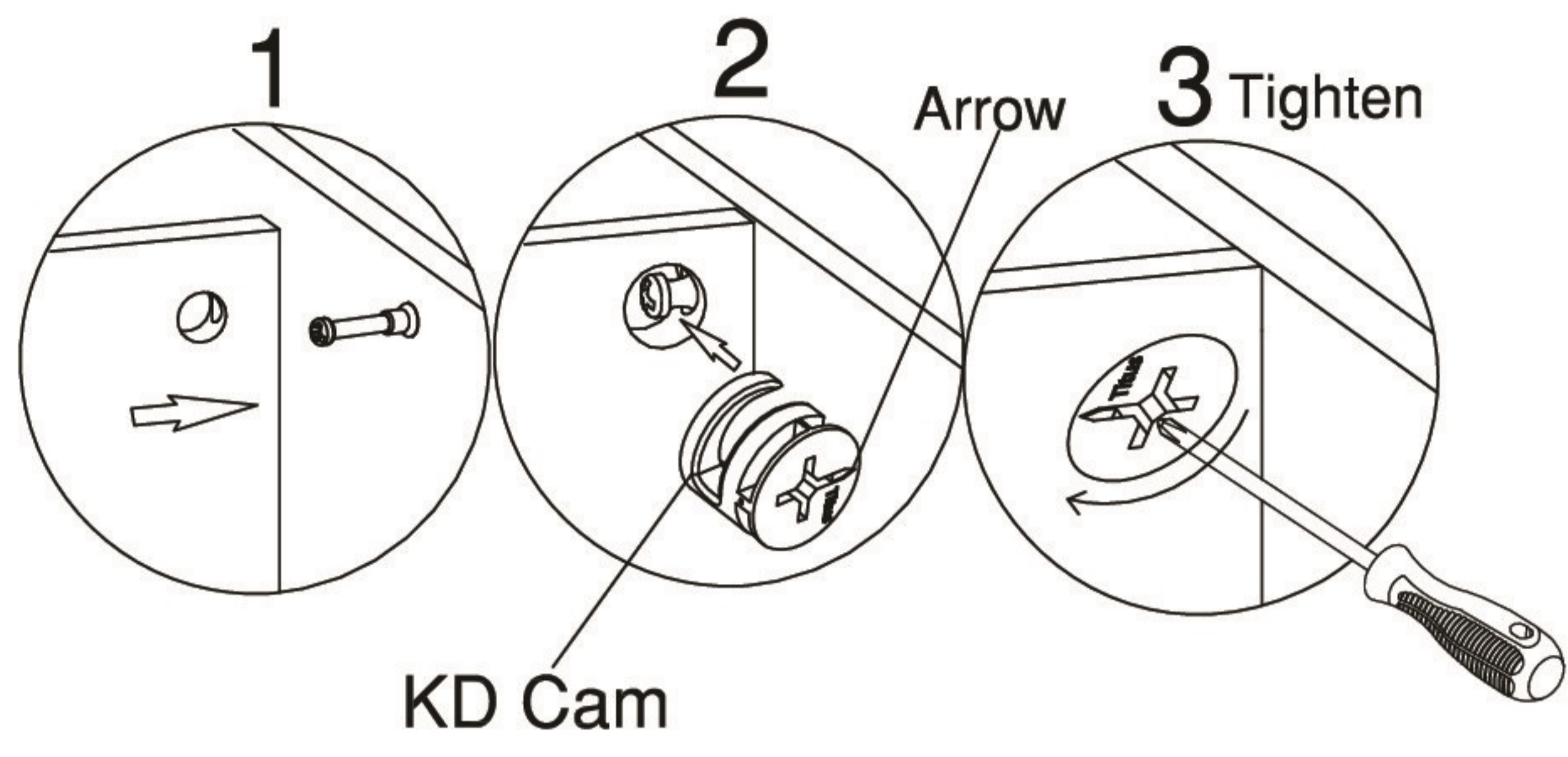
[ 2 ]

KD Cam

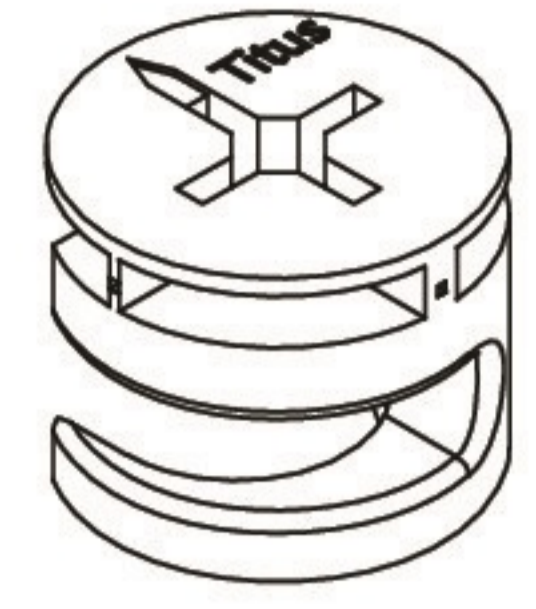


# STEP 10

# Assemble Panel

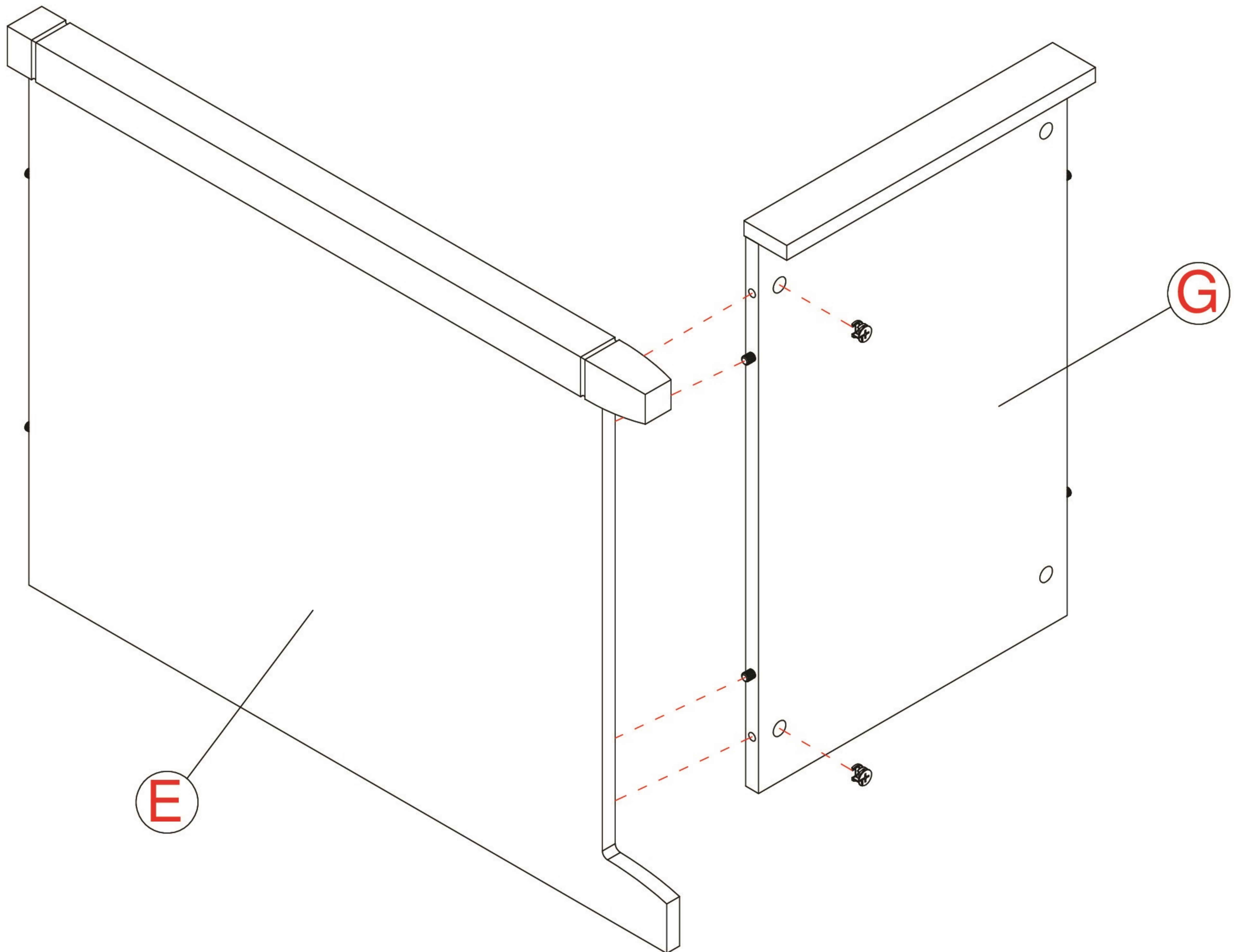
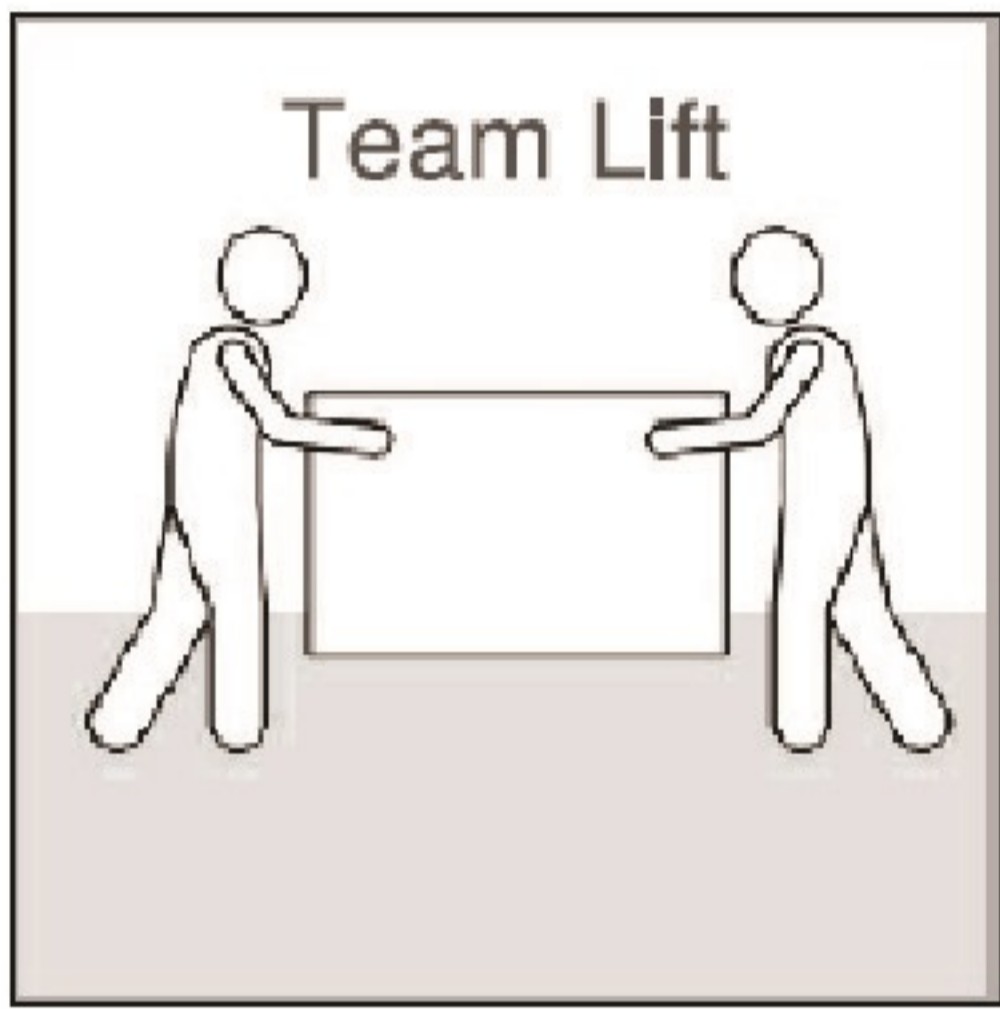


H181468



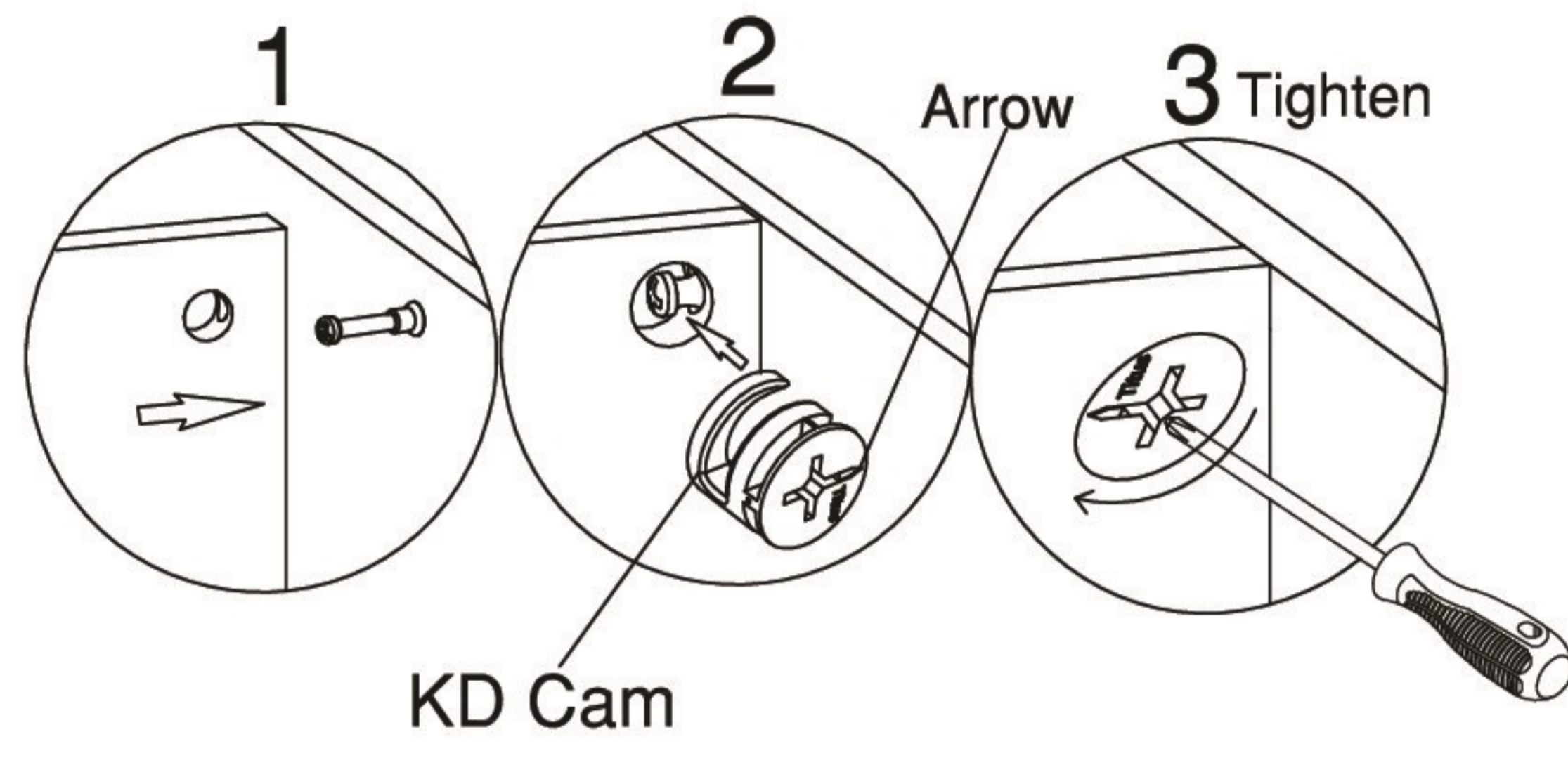
KD Cam

[ 2 ]

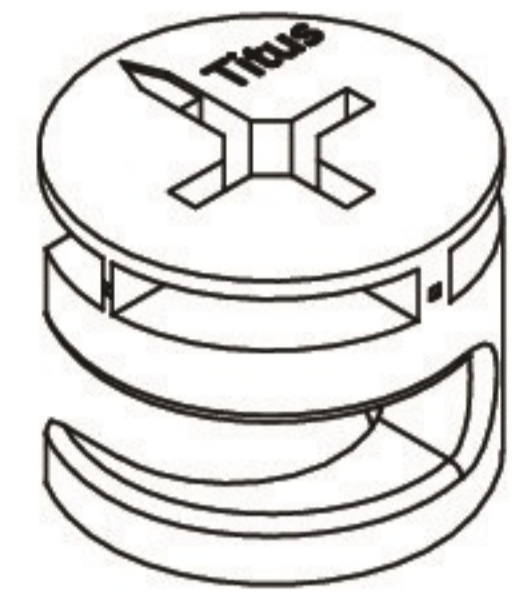


# STEP 11

# Assemble Panel

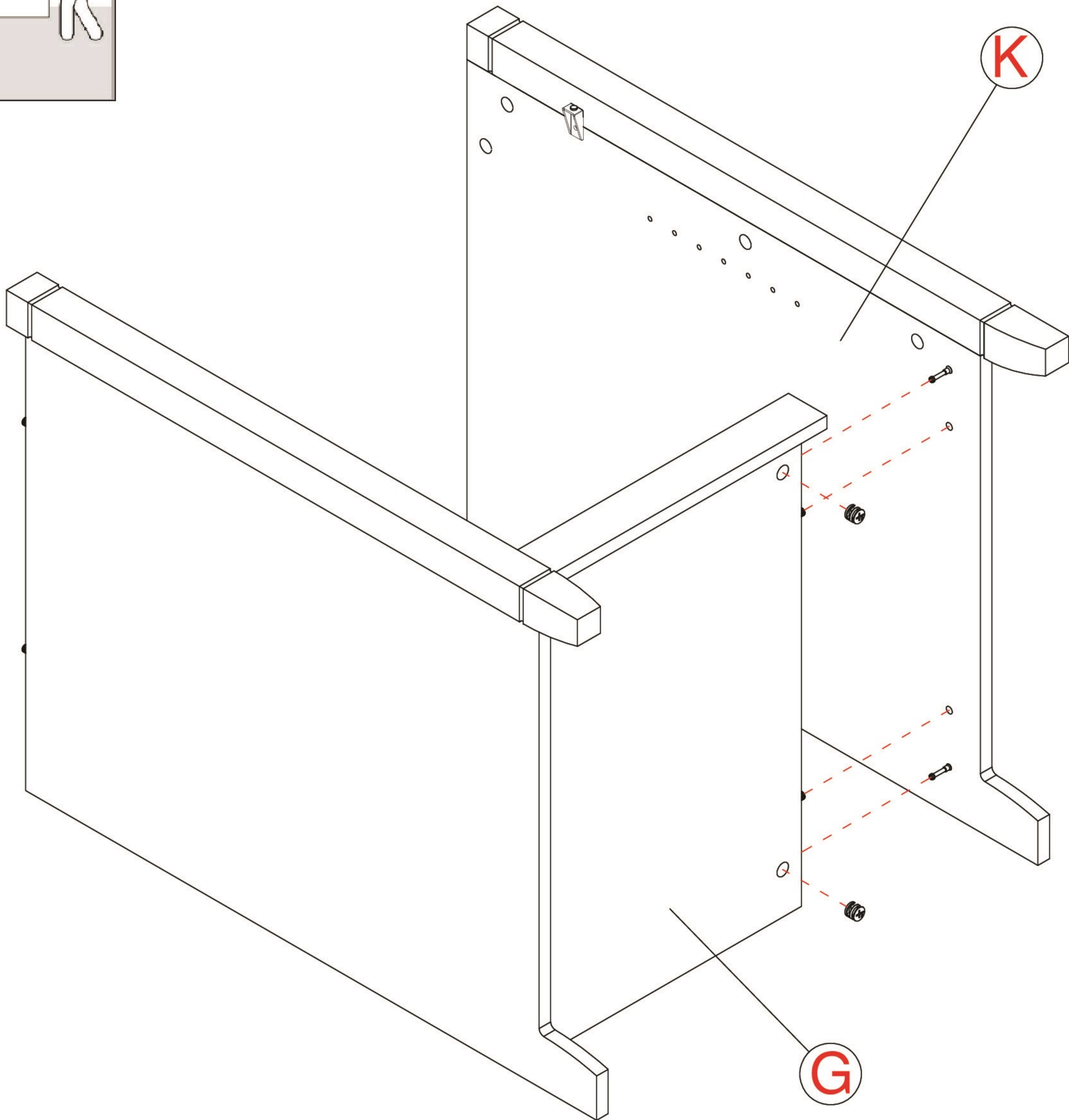
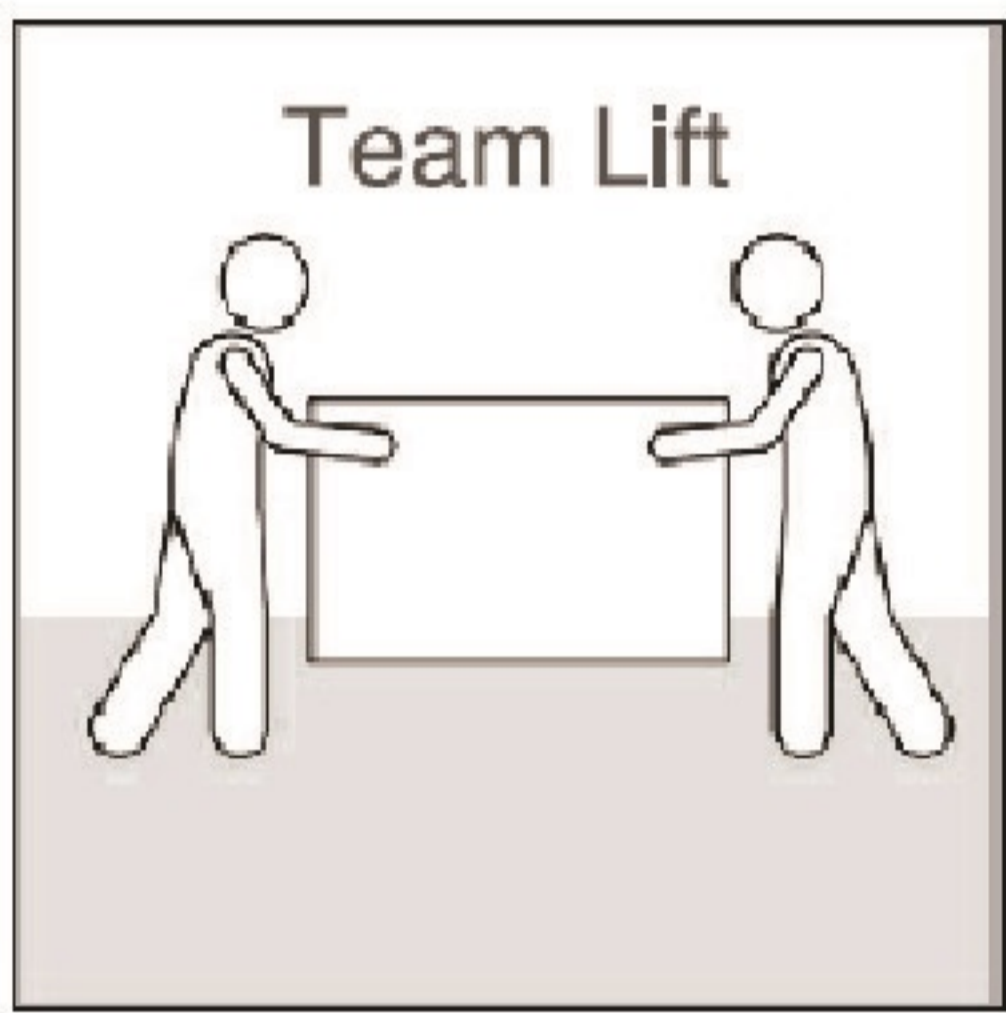


H181468



KD Cam

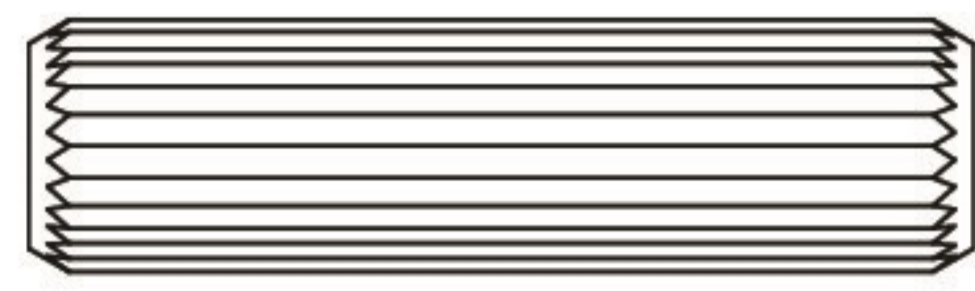
[ 2 ]



# STEP 12

# Prepare Panel

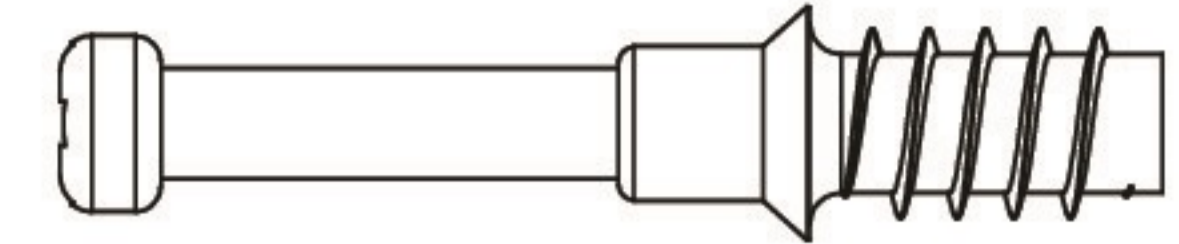
H38169



[ 8 ]

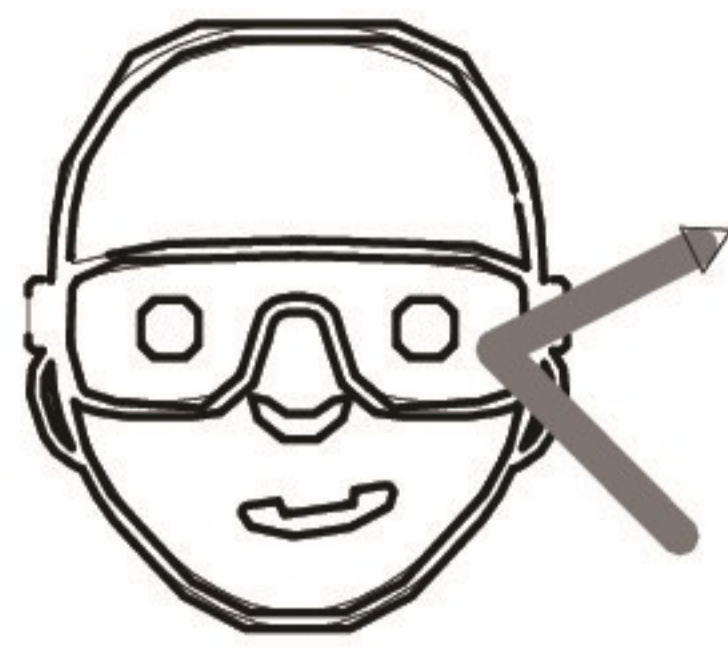
Wood Dowel  
8 x 30mm

H180604

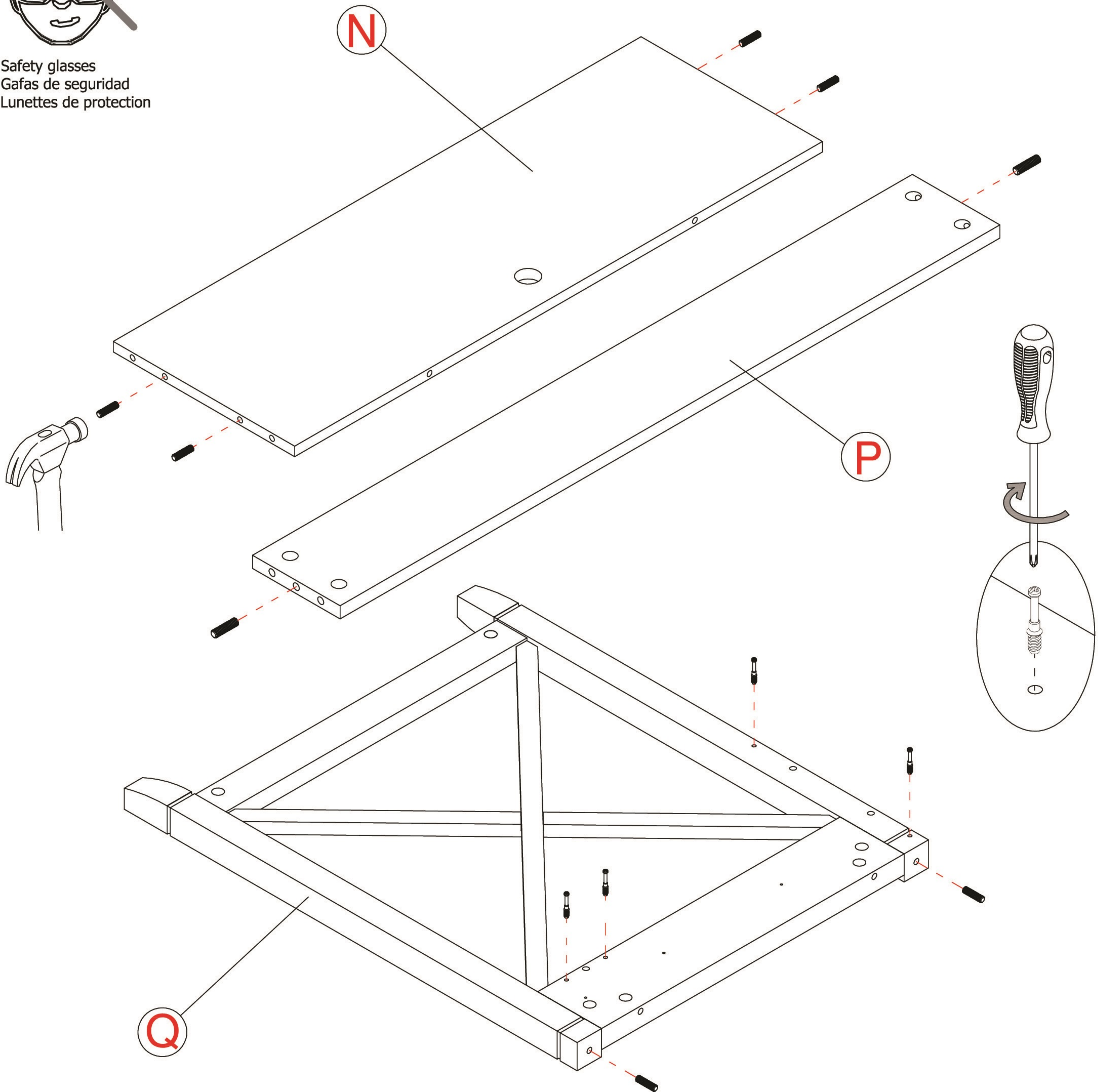


[ 4 ]

KD Bolt



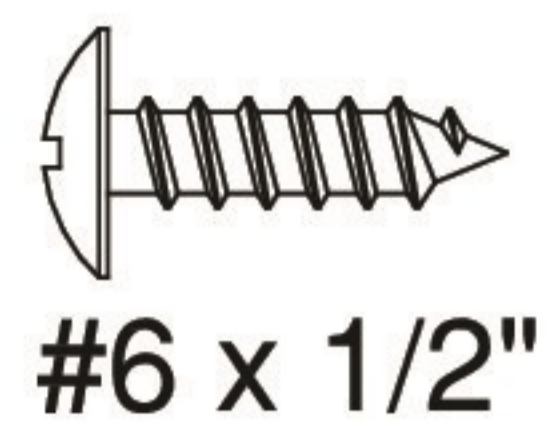
Safety glasses  
Gafas de seguridad  
Lunettes de protection



# STEP 13

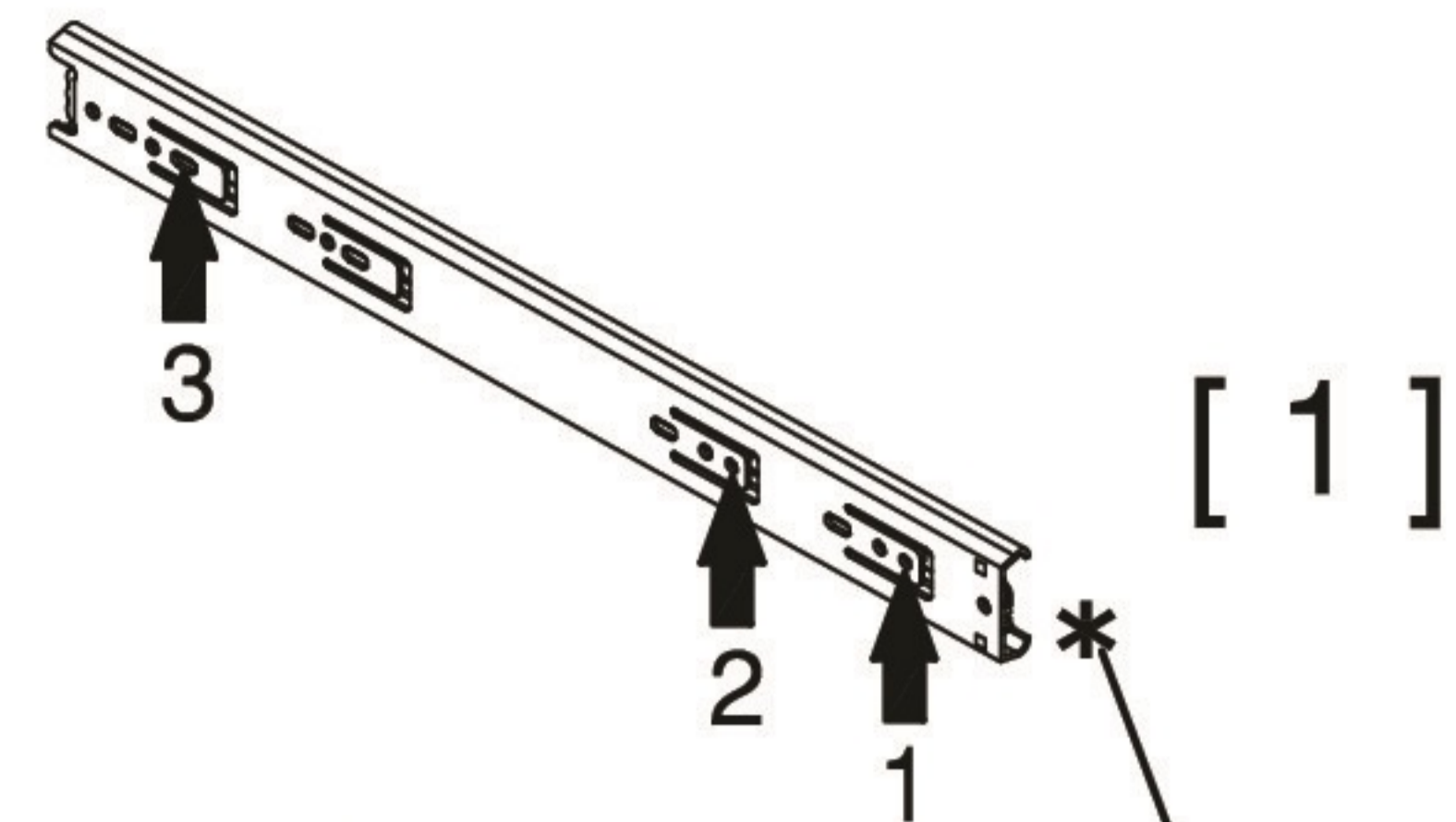
# Install Mount

H101725



[ 3 ]

H167910



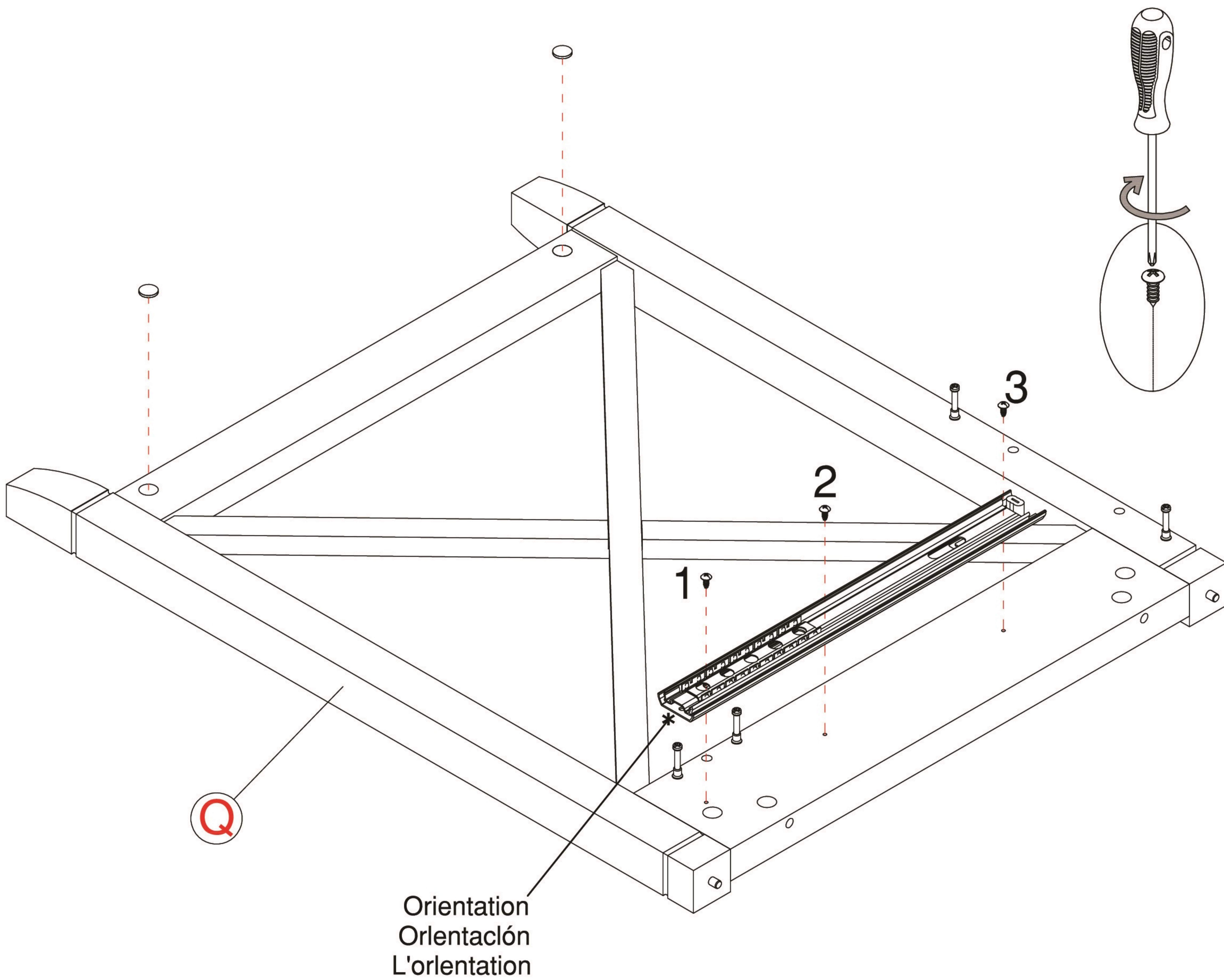
14" Slide Mount  
350mm

Orientation  
Orientación  
L'orientation



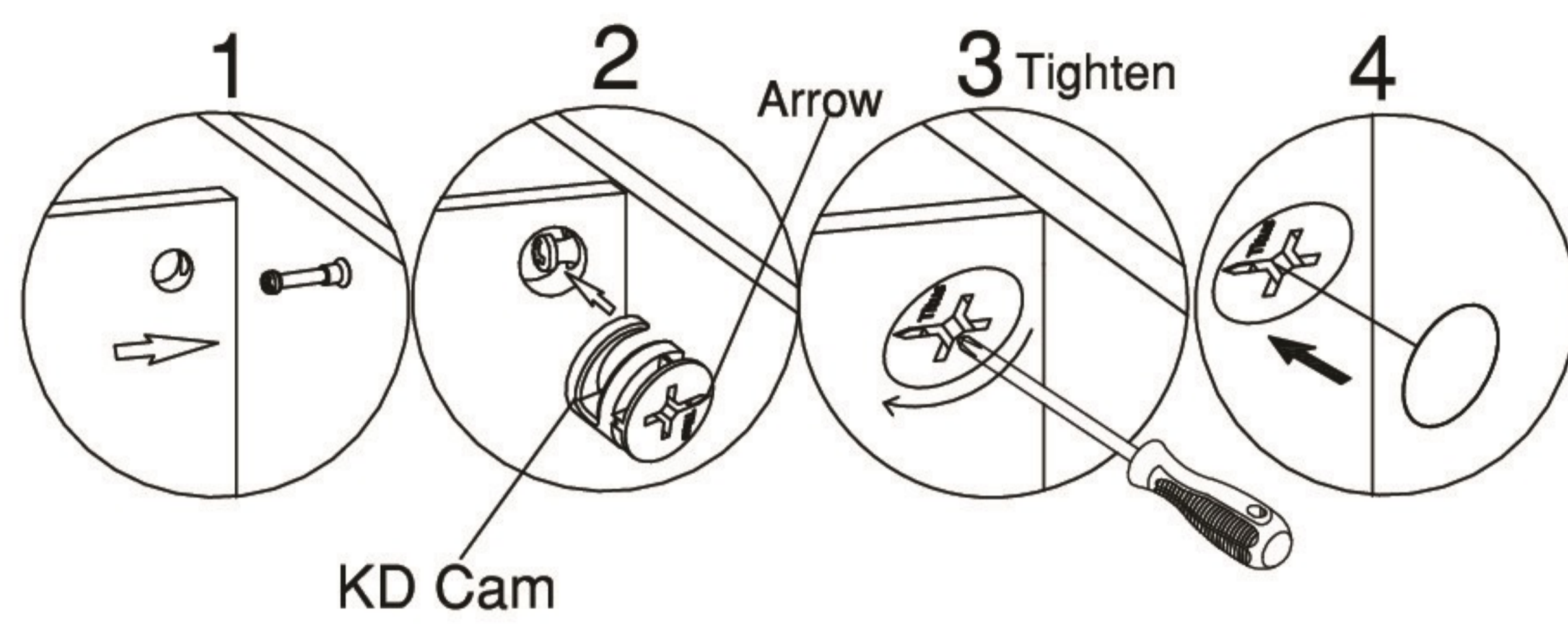
[ 2 ]

Cover Cap

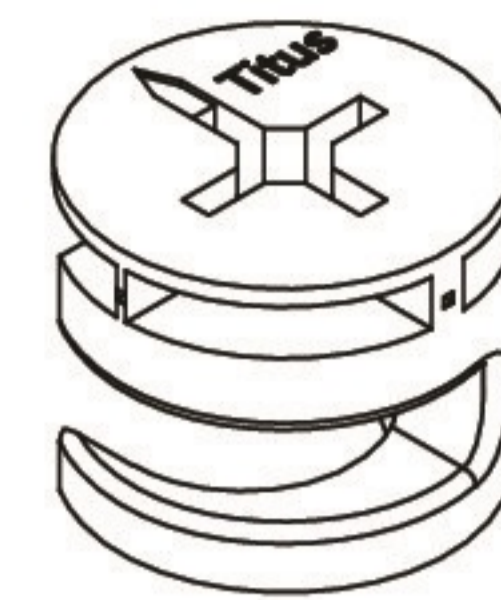


# STEP 14

# Assemble Panel



H181468



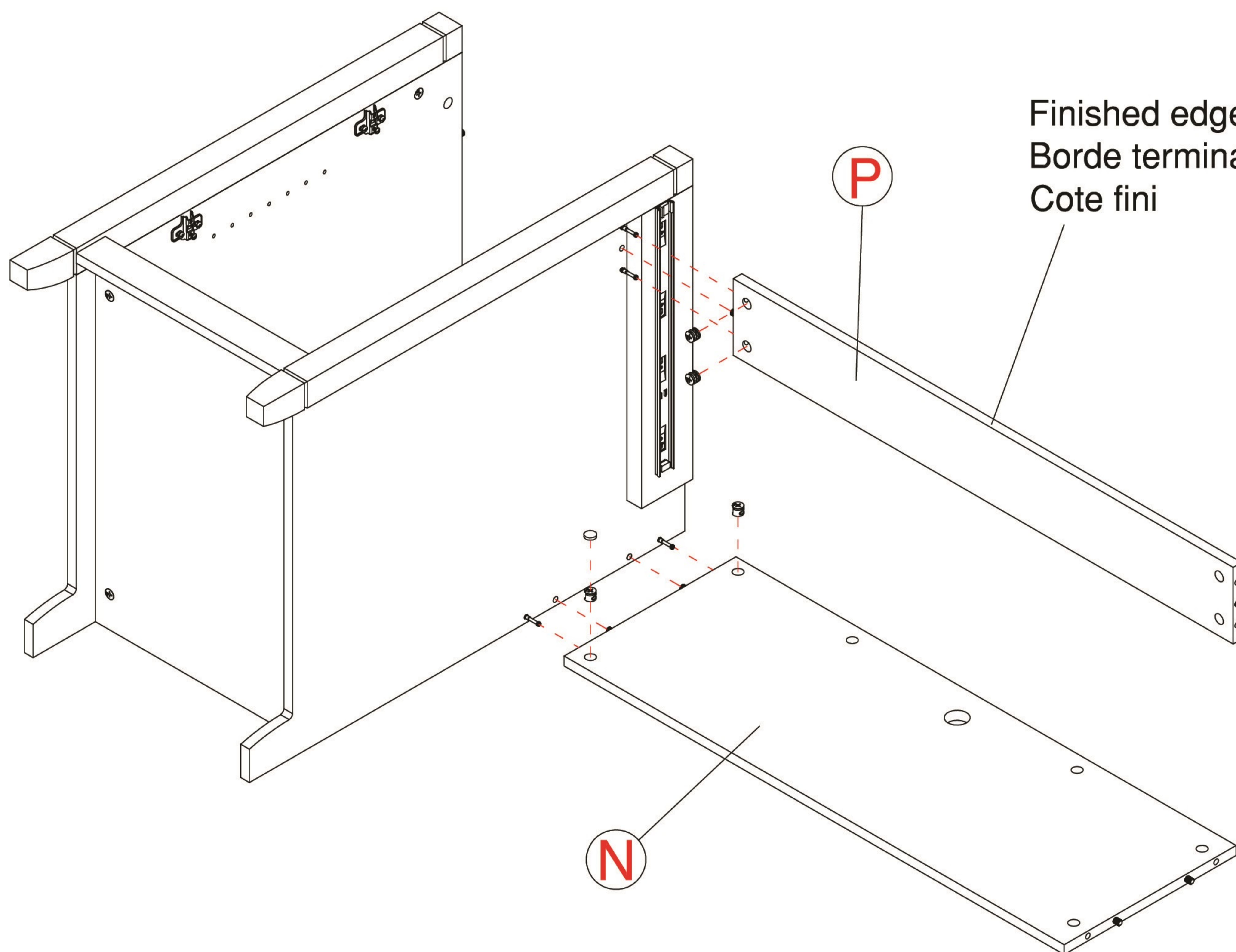
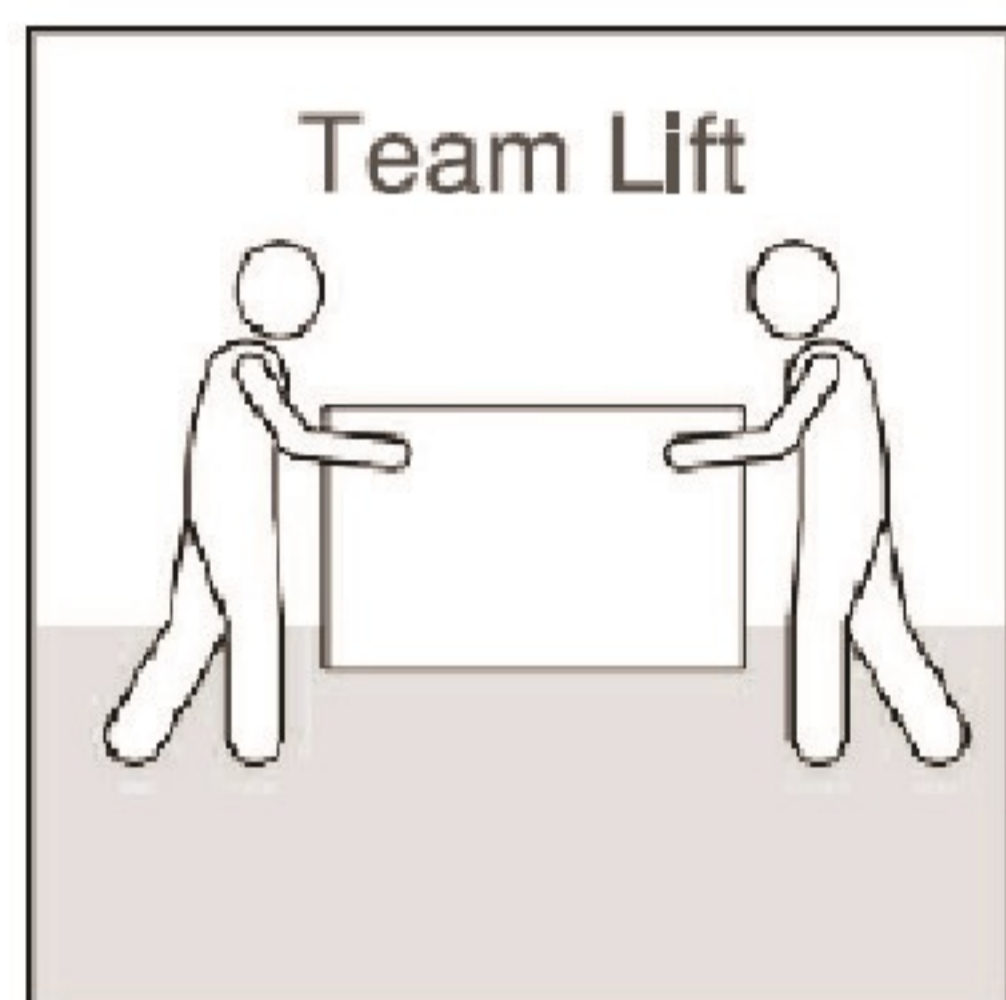
[ 4 ]

KD Cam



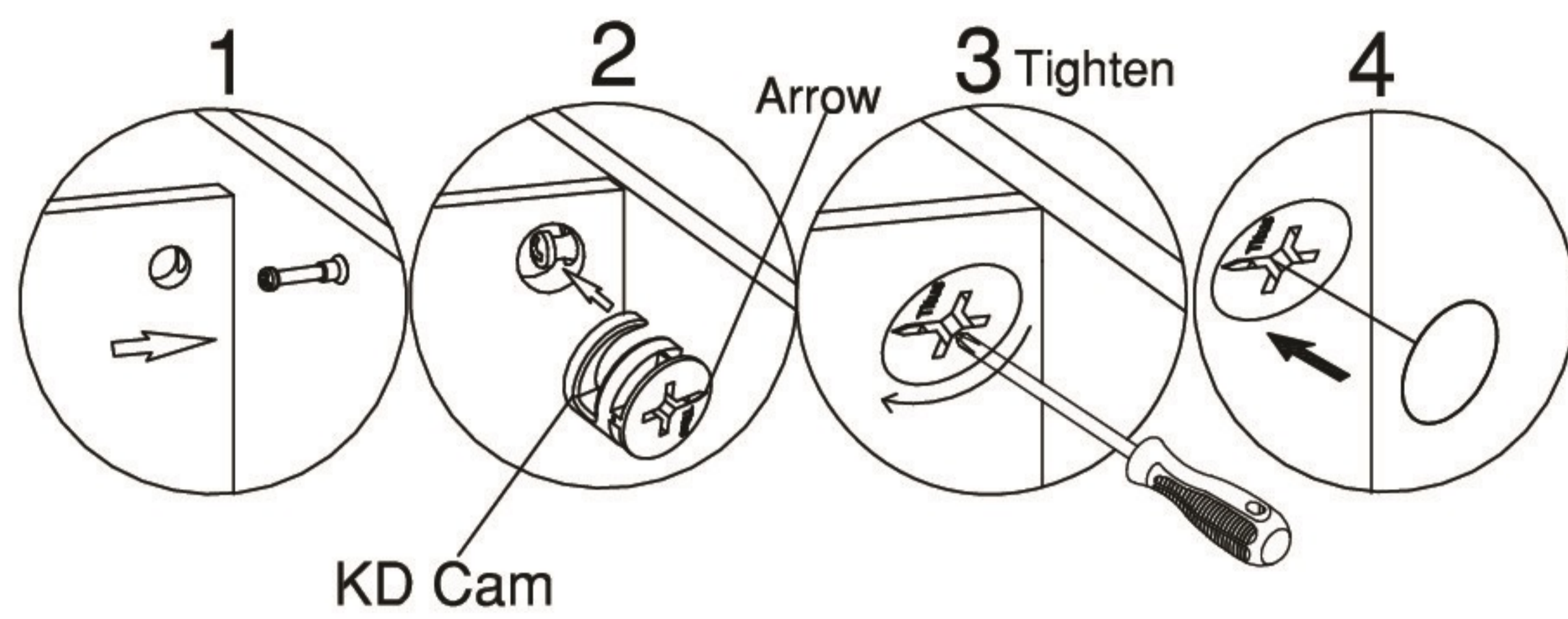
[ 1 ]

Cover Cap

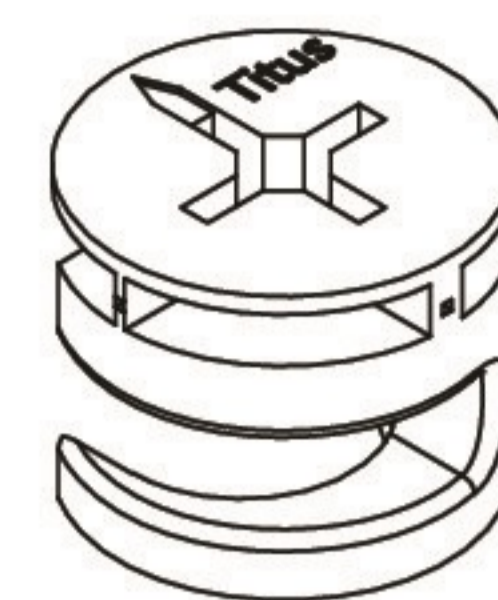


# STEP 15

# Assemble Panel



H181468



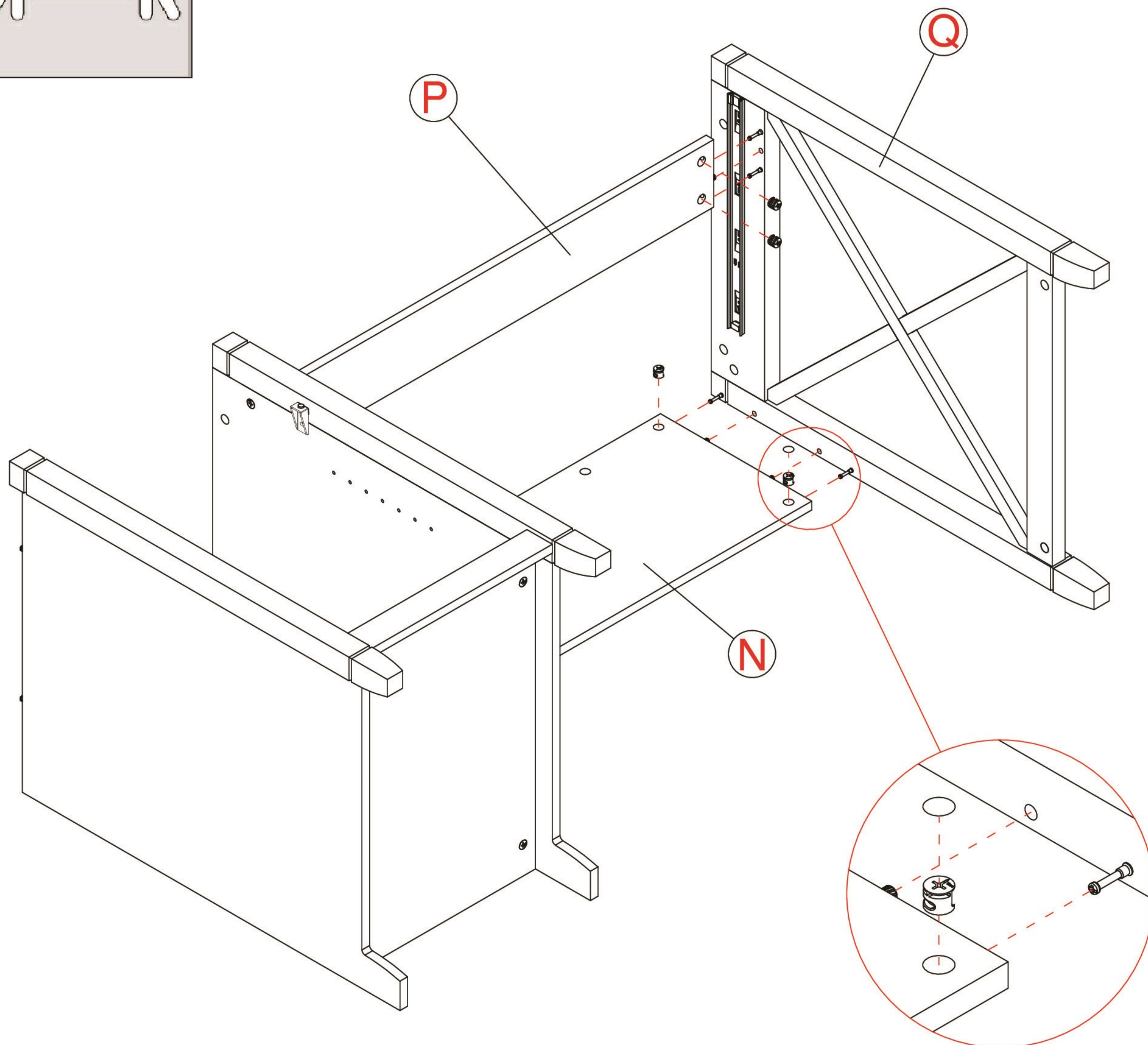
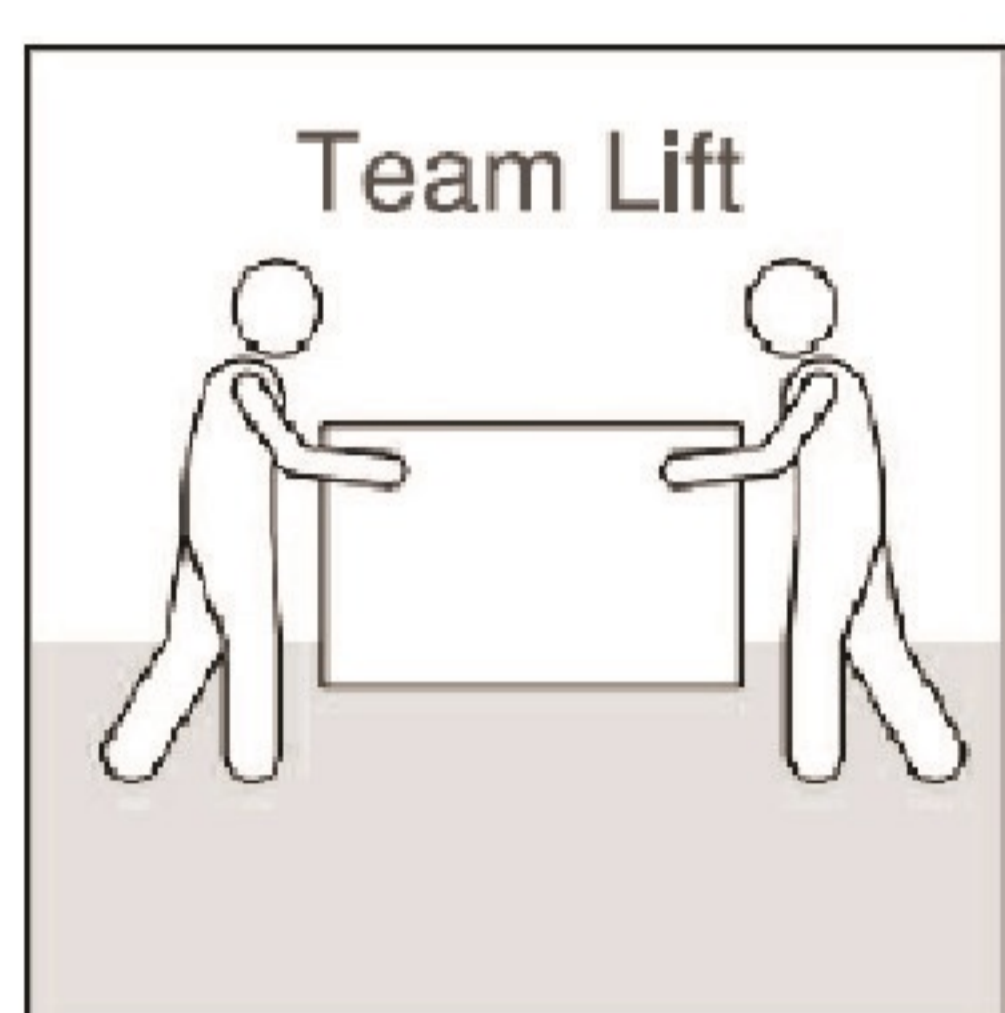
[ 4 ]

KD Cam



[ 1 ]

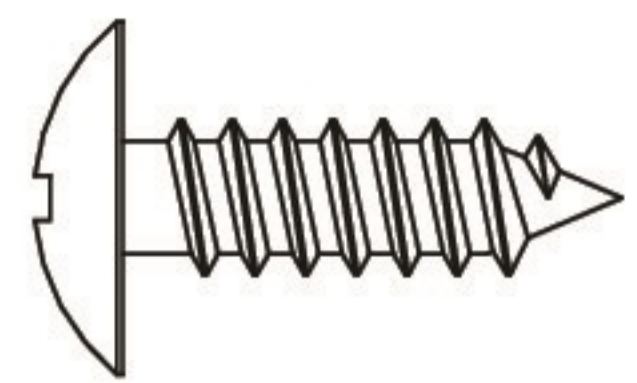
Cover Cap



# STEP 16

# Assemble Panel

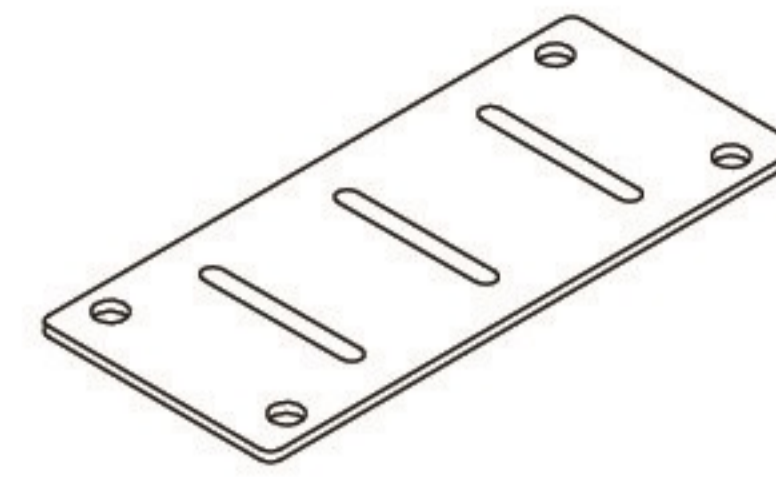
H23119



[ 16 ]

#10 x 5/8"

H39922



[ 4 ]

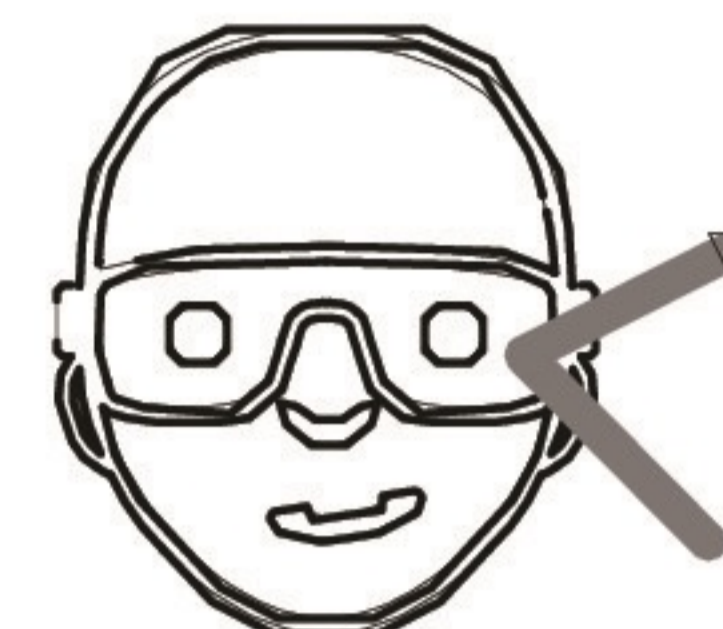
Strap

H38169

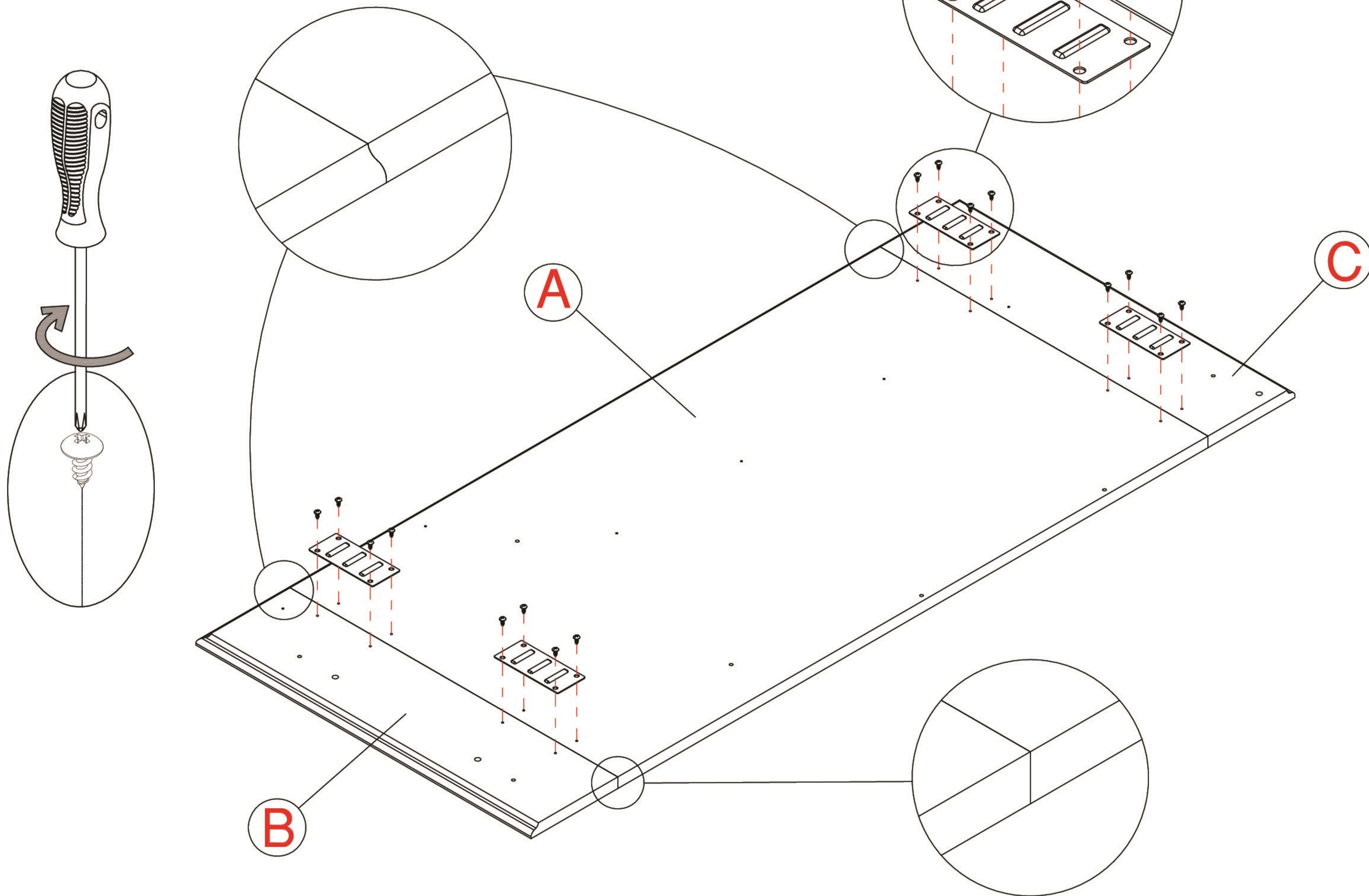
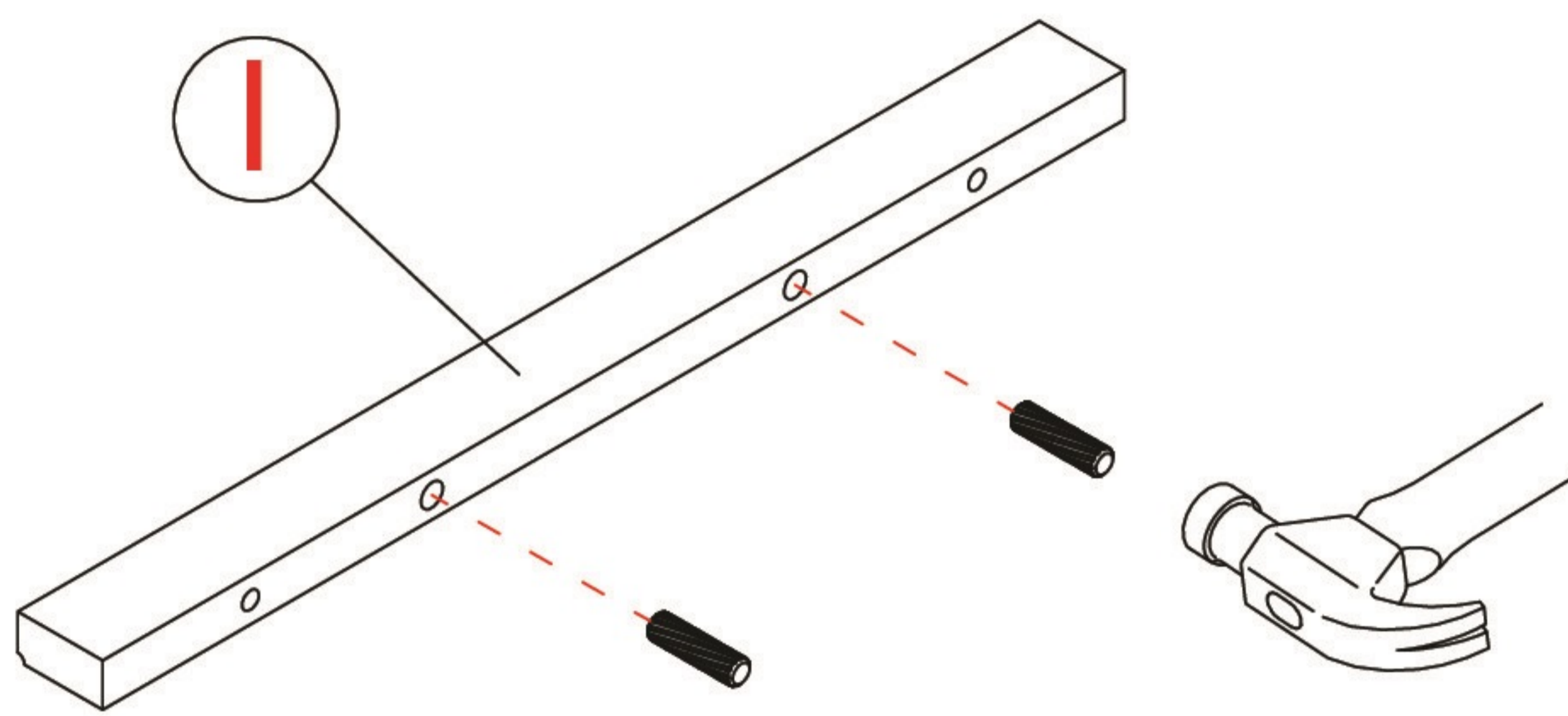


[ 2 ]

Wood Dowel  
8 x 30mm



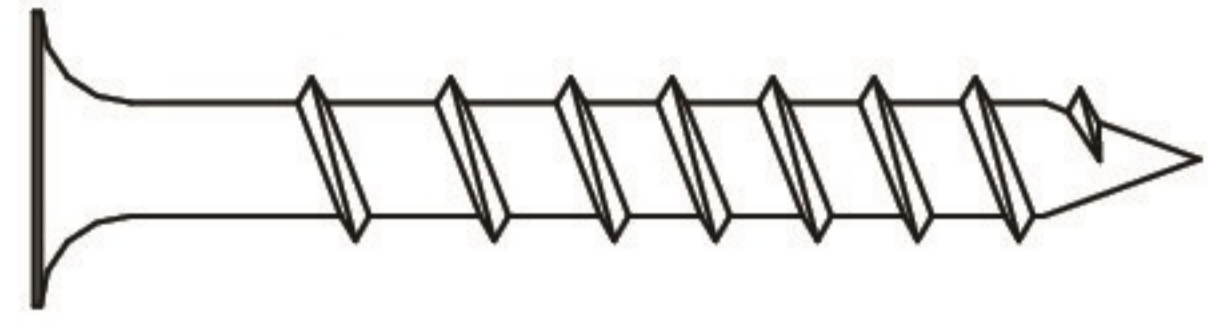
Safety glasses  
Gafas de seguridad  
Lunettes de protection



# STEP 17

# Install Fasteners

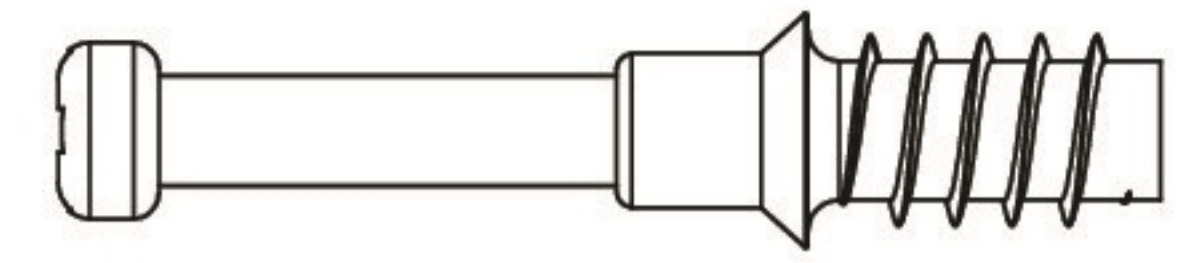
H23198



[ 2 ]

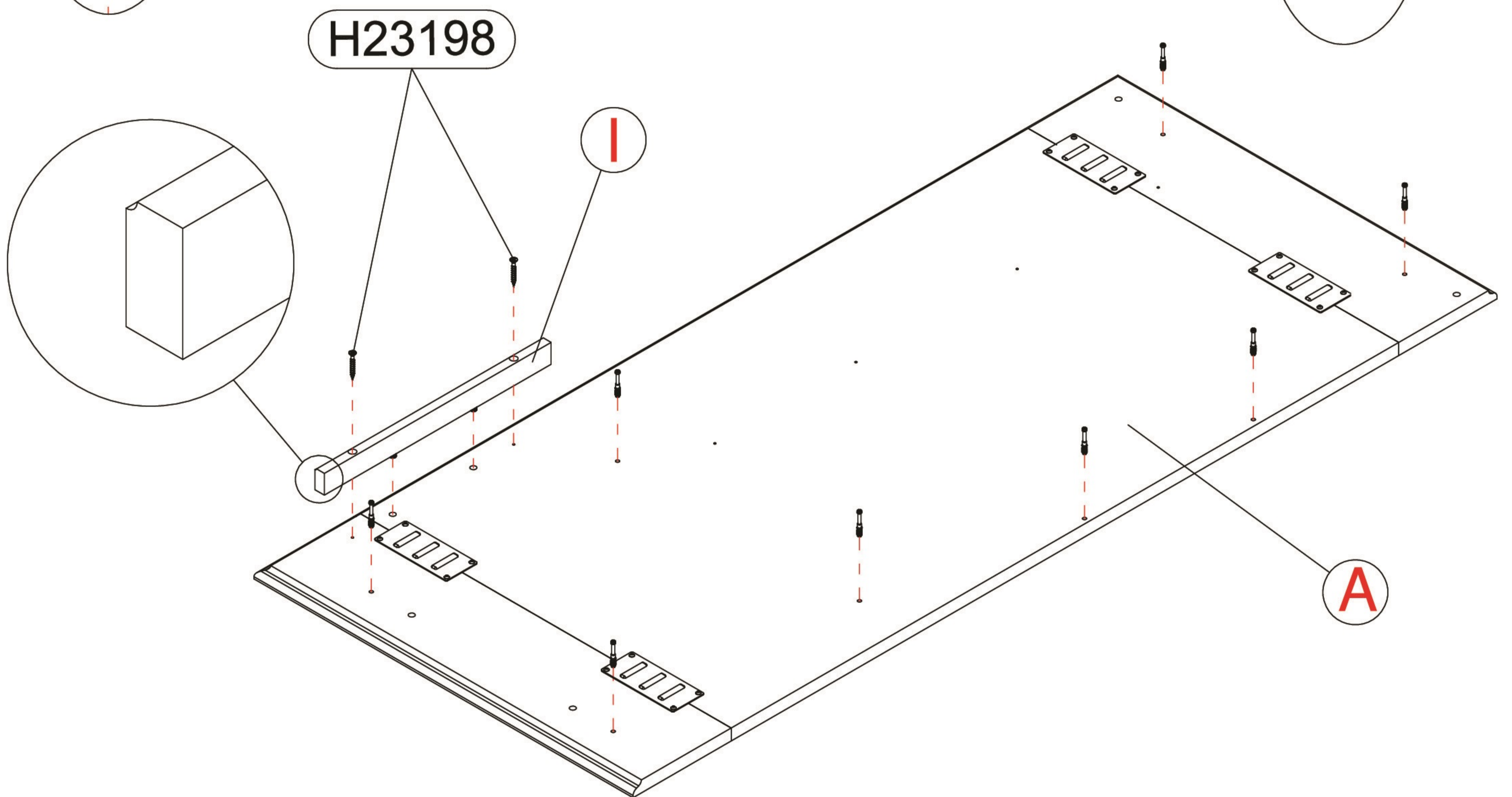
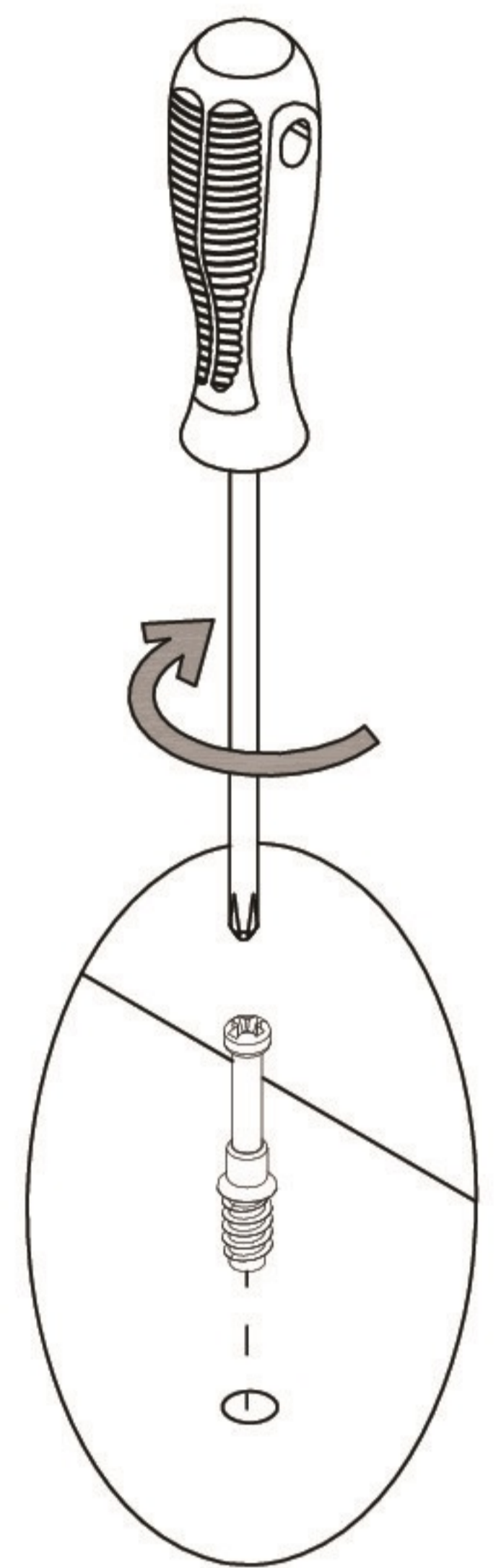
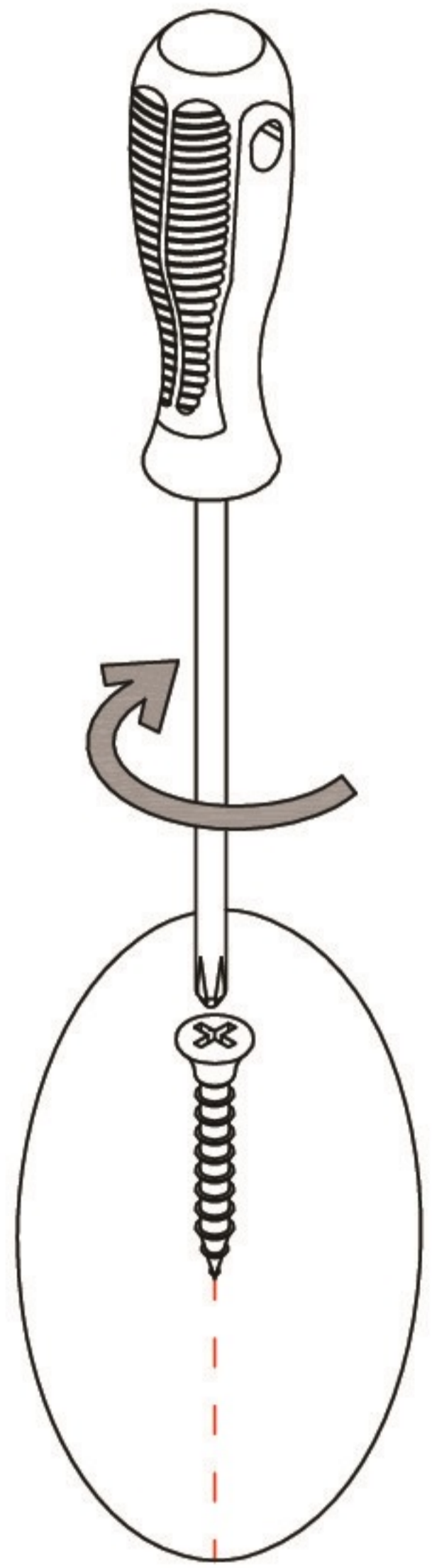
#10 x 1-1/2"

H180604



[ 8 ]

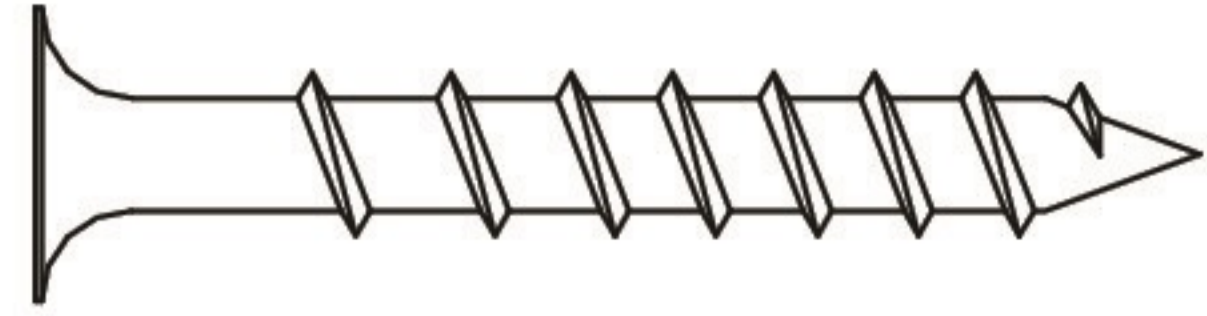
KD Bolt



# STEP 18

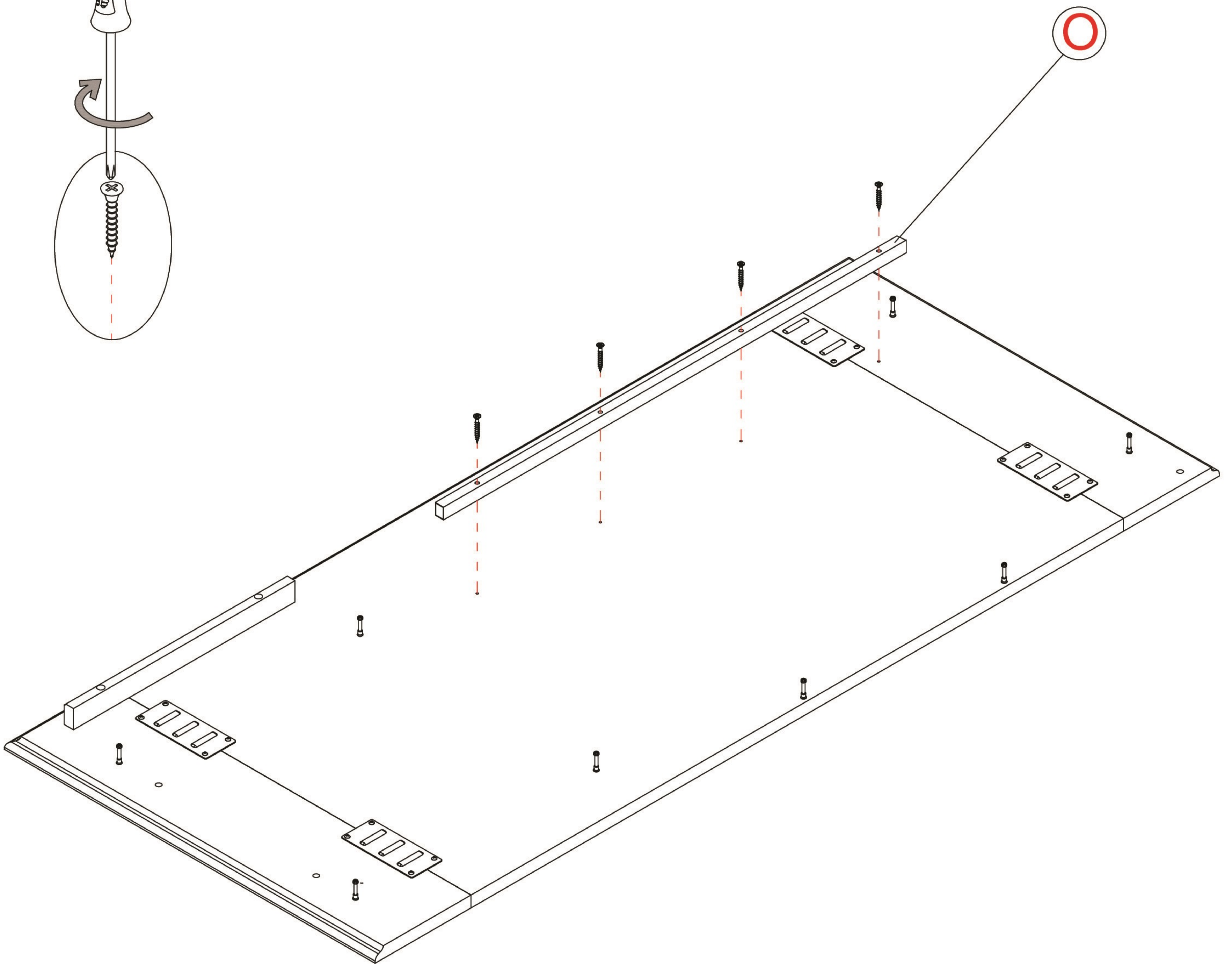
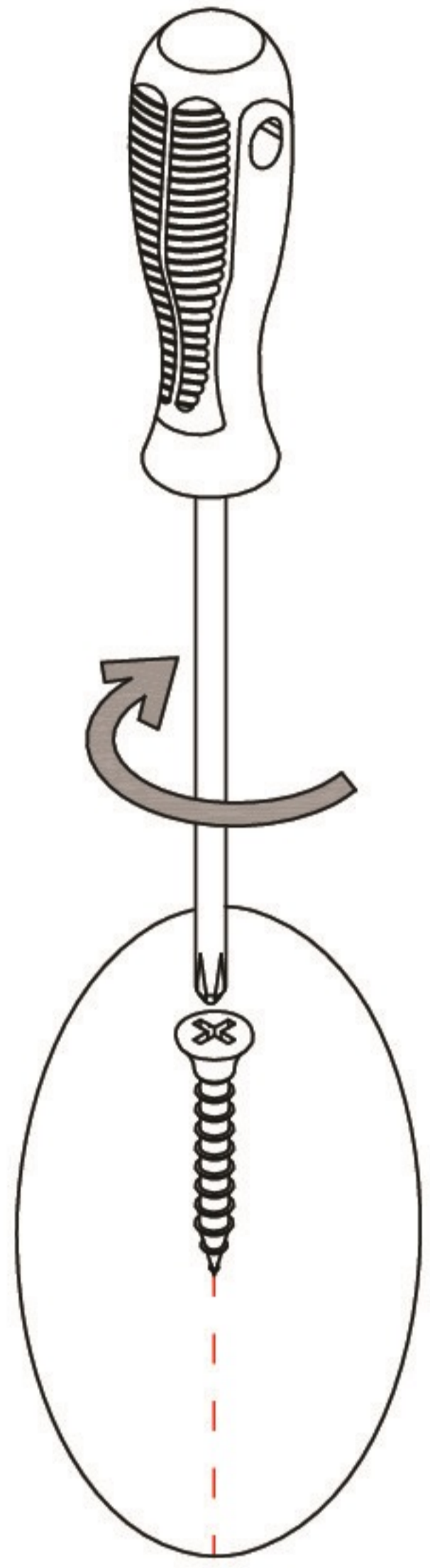
# Install Fasteners

H23198



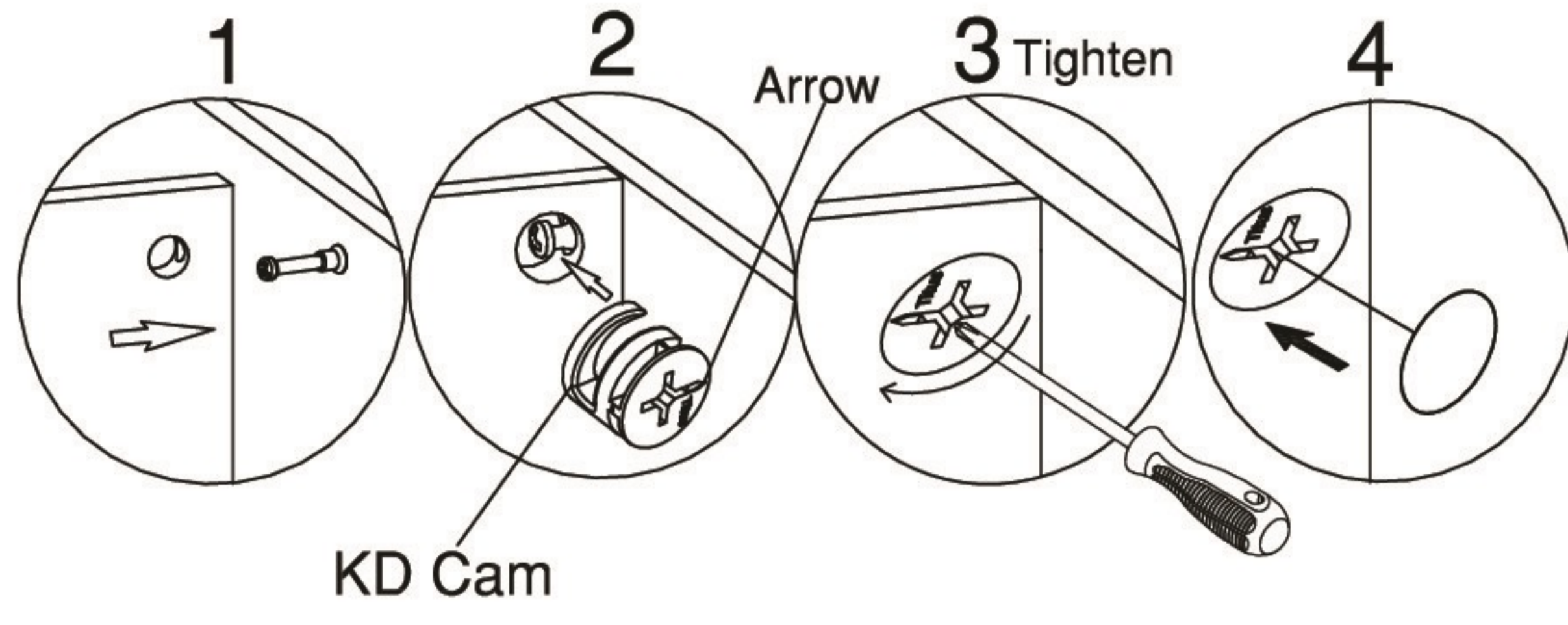
#10 x 1-1/2"

[ 4 ]

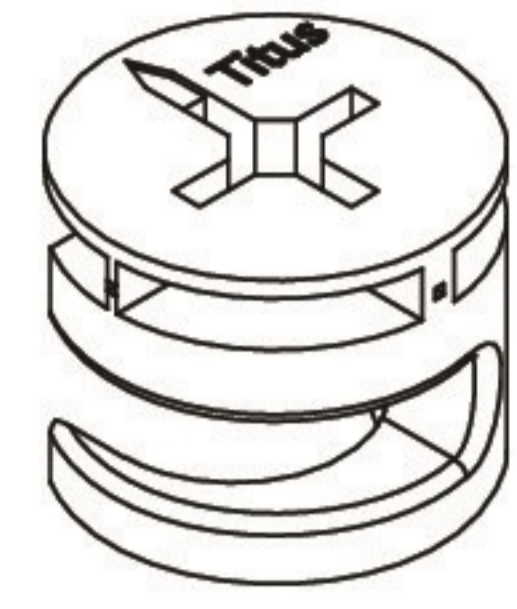


# STEP 19

# Assemble Panel

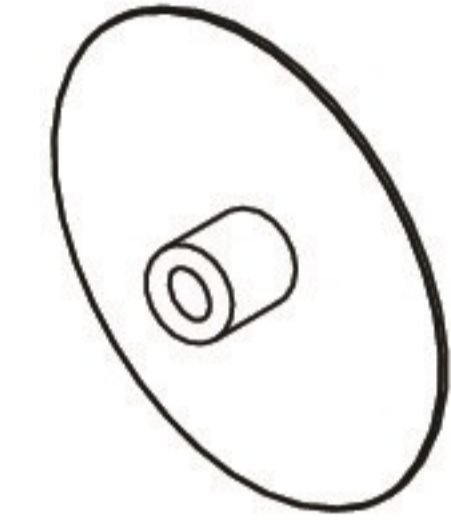


H181468



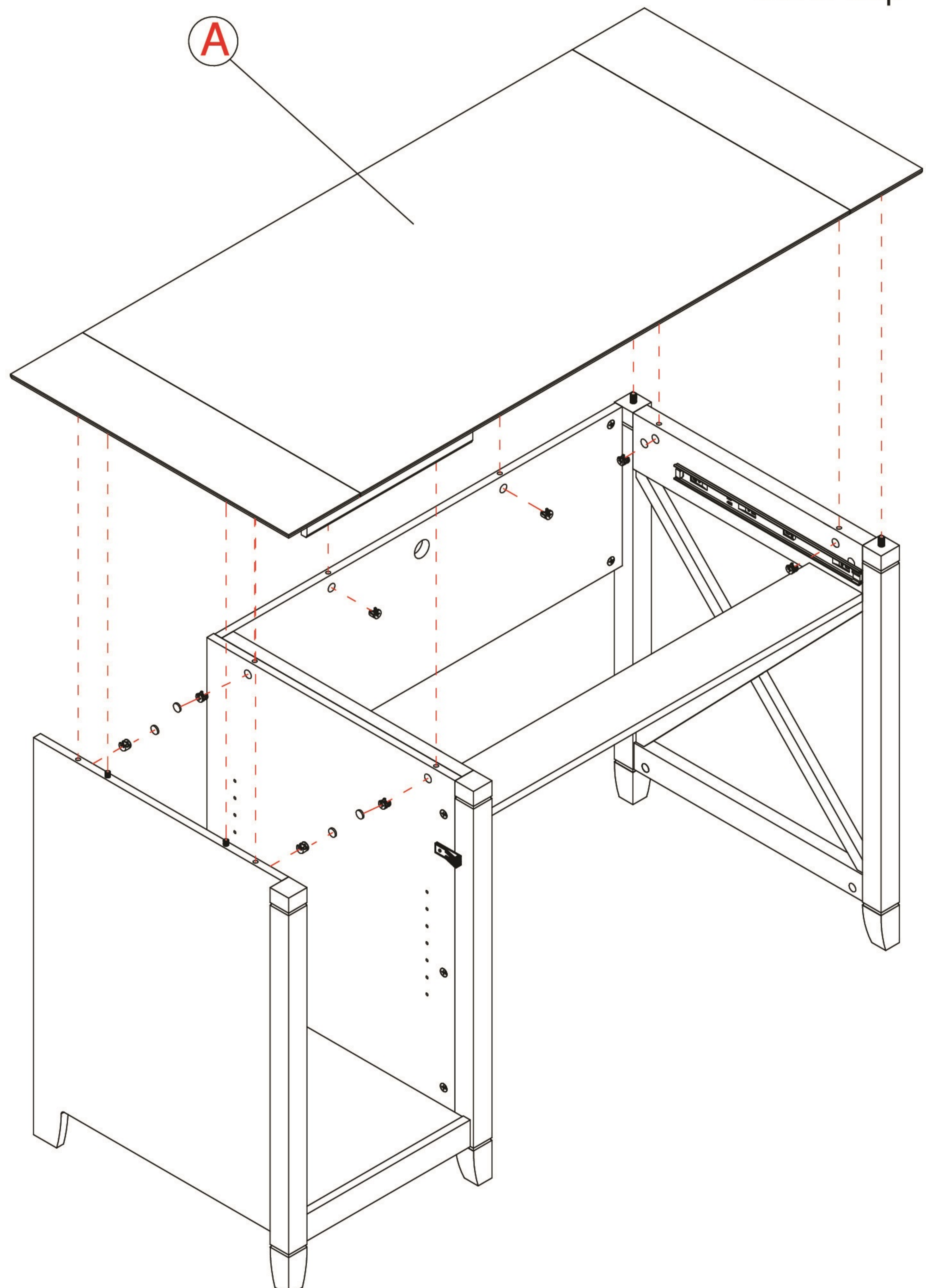
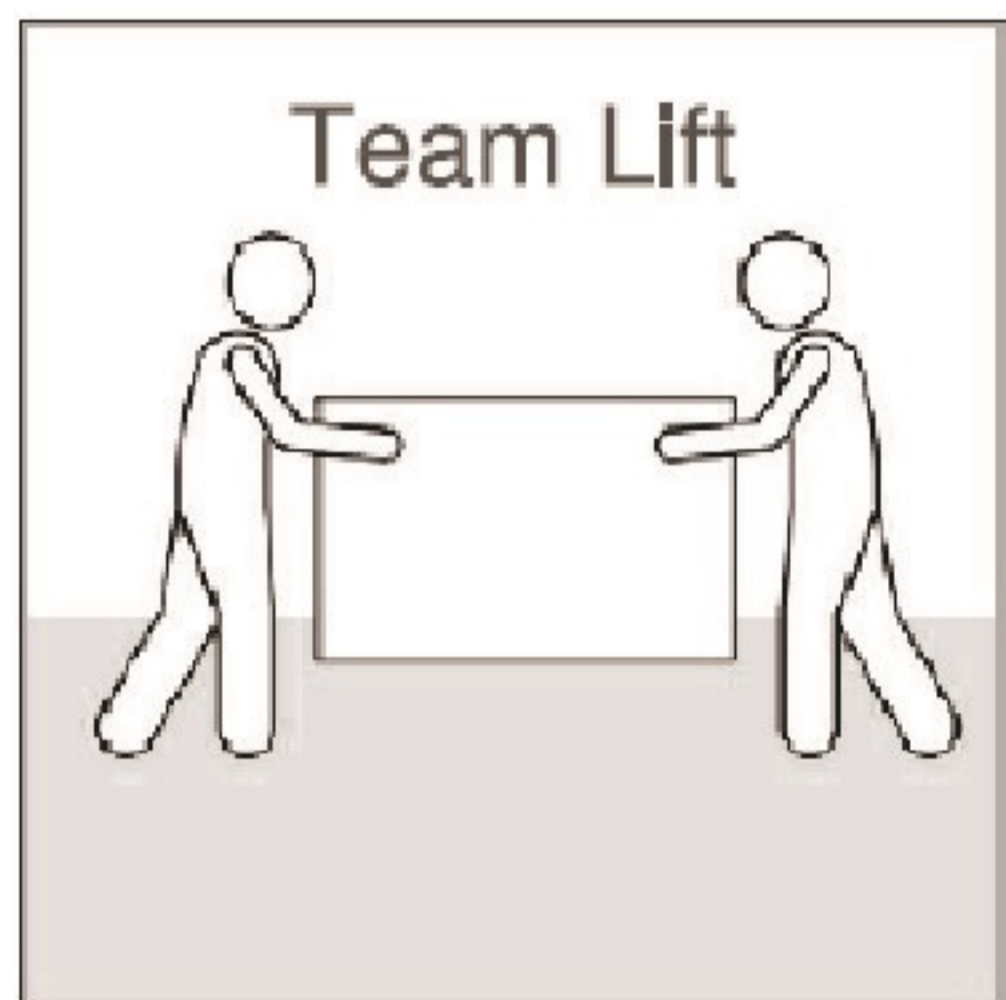
[ 8 ]

KD Cam



[ 4 ]

Cover Cap



# STEP 20

# Assemble Back

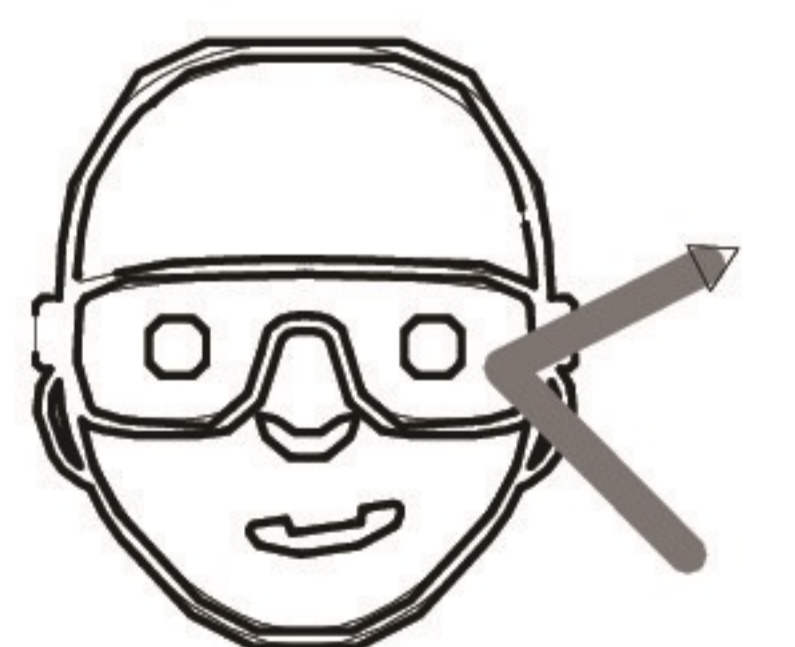
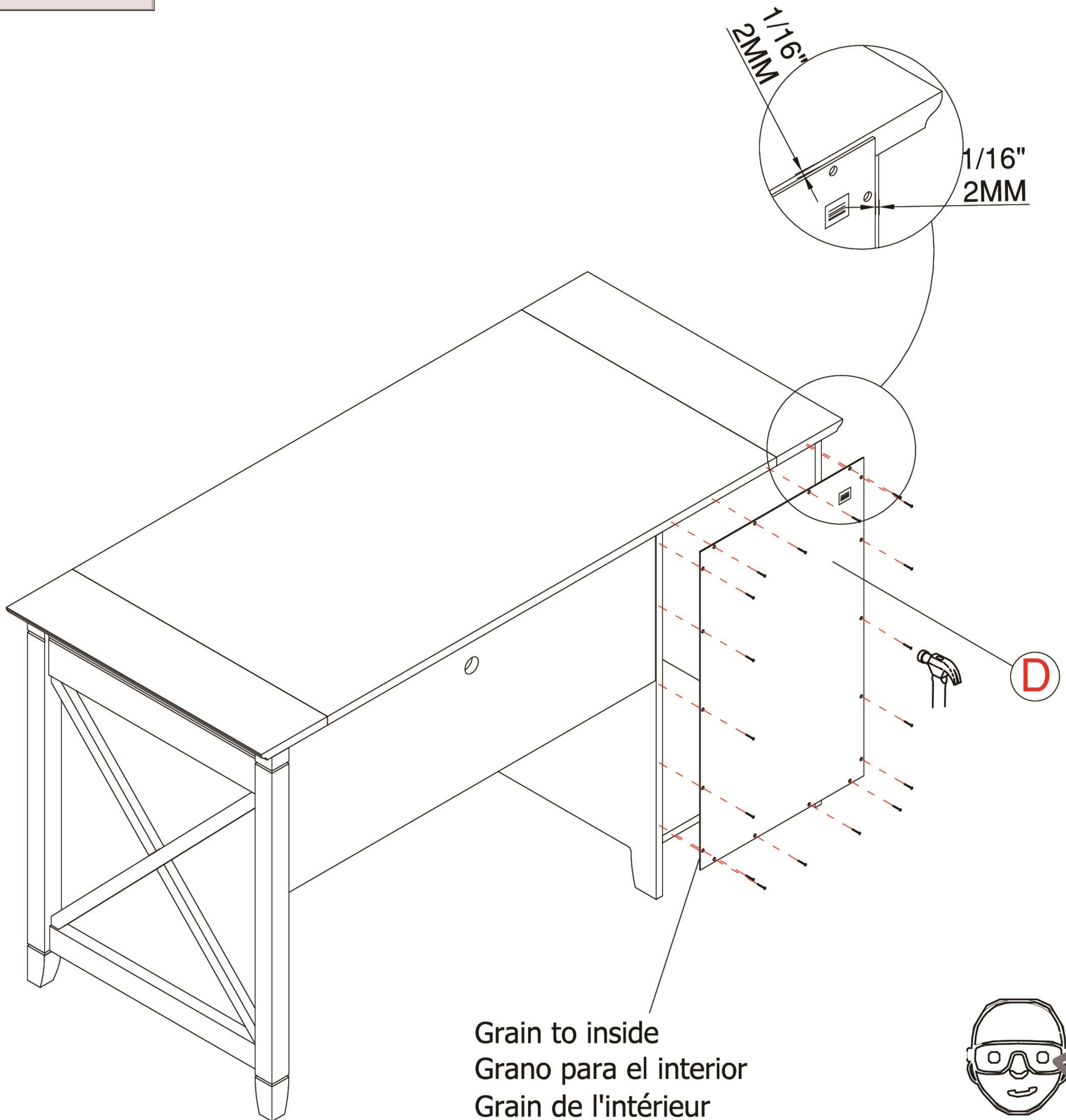


H34174



[ 18 ]

#3x 3/4"

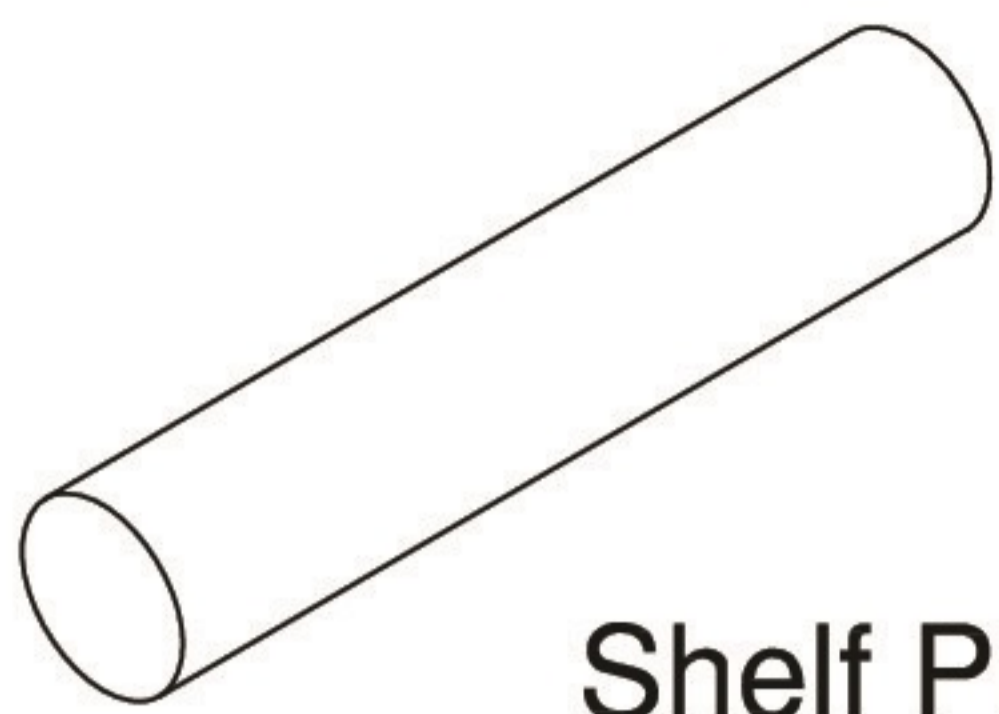


Safety glasses  
Gafas de seguridad  
Lunettes de protection

# STEP 21

# Install Shelf

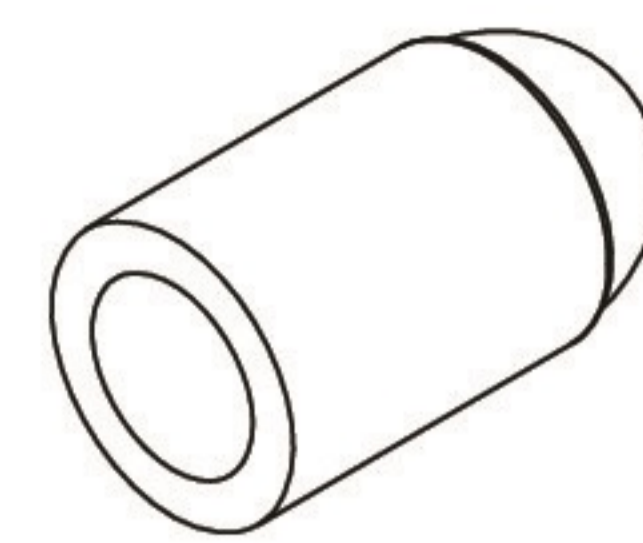
H23604



Shelf Pin

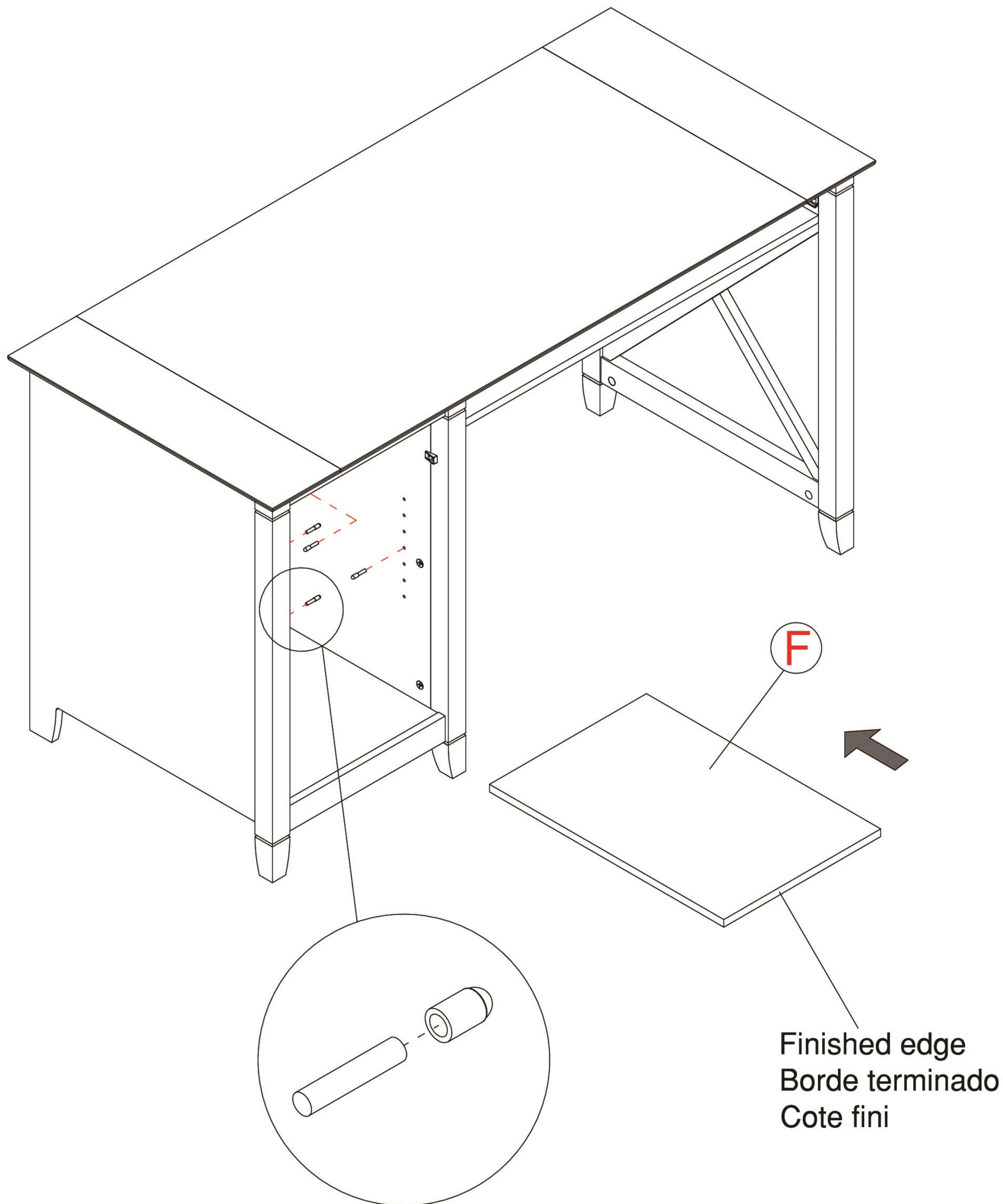
[ 4 ]

H126396



Shelf Pin Sleeve

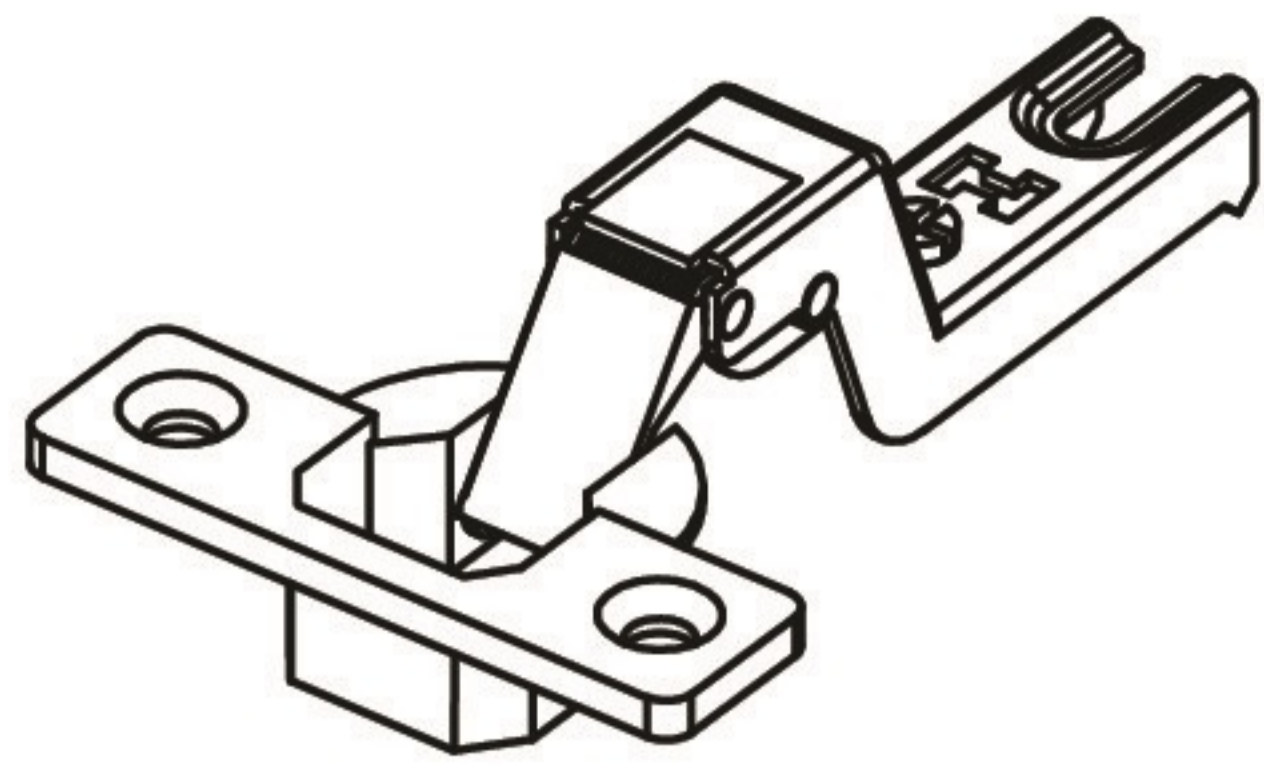
[ 4 ]



# STEP 22

# Prepare Doors

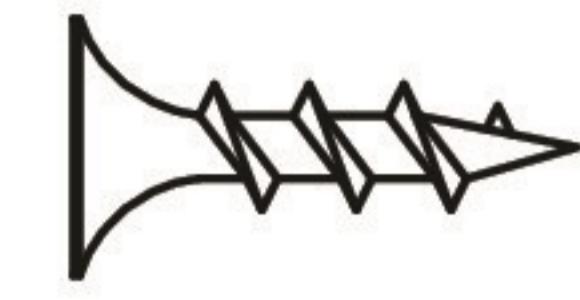
H170611



[ 2 ]

Hinge Arm

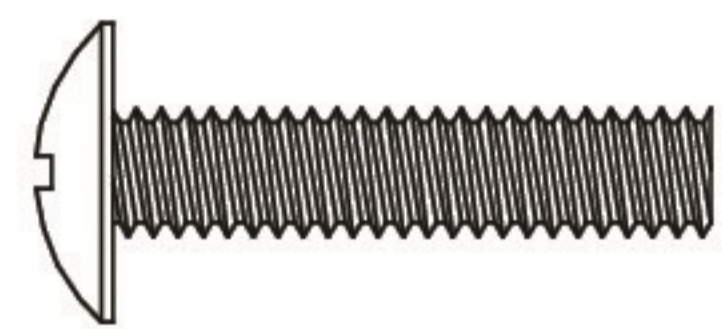
H153242



#8 x 5/8"

[ 4 ]

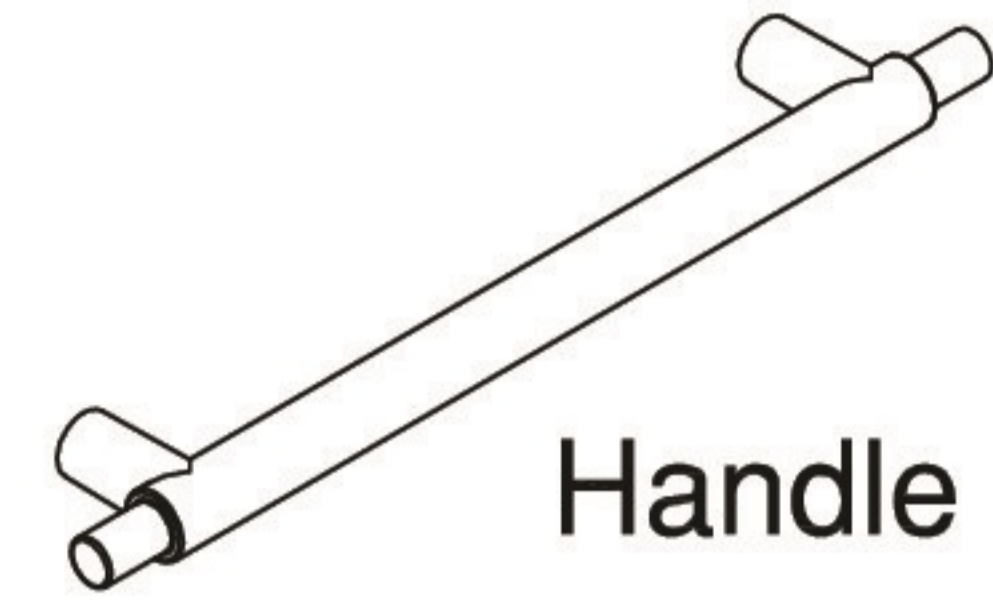
H158933



[ 2 ]

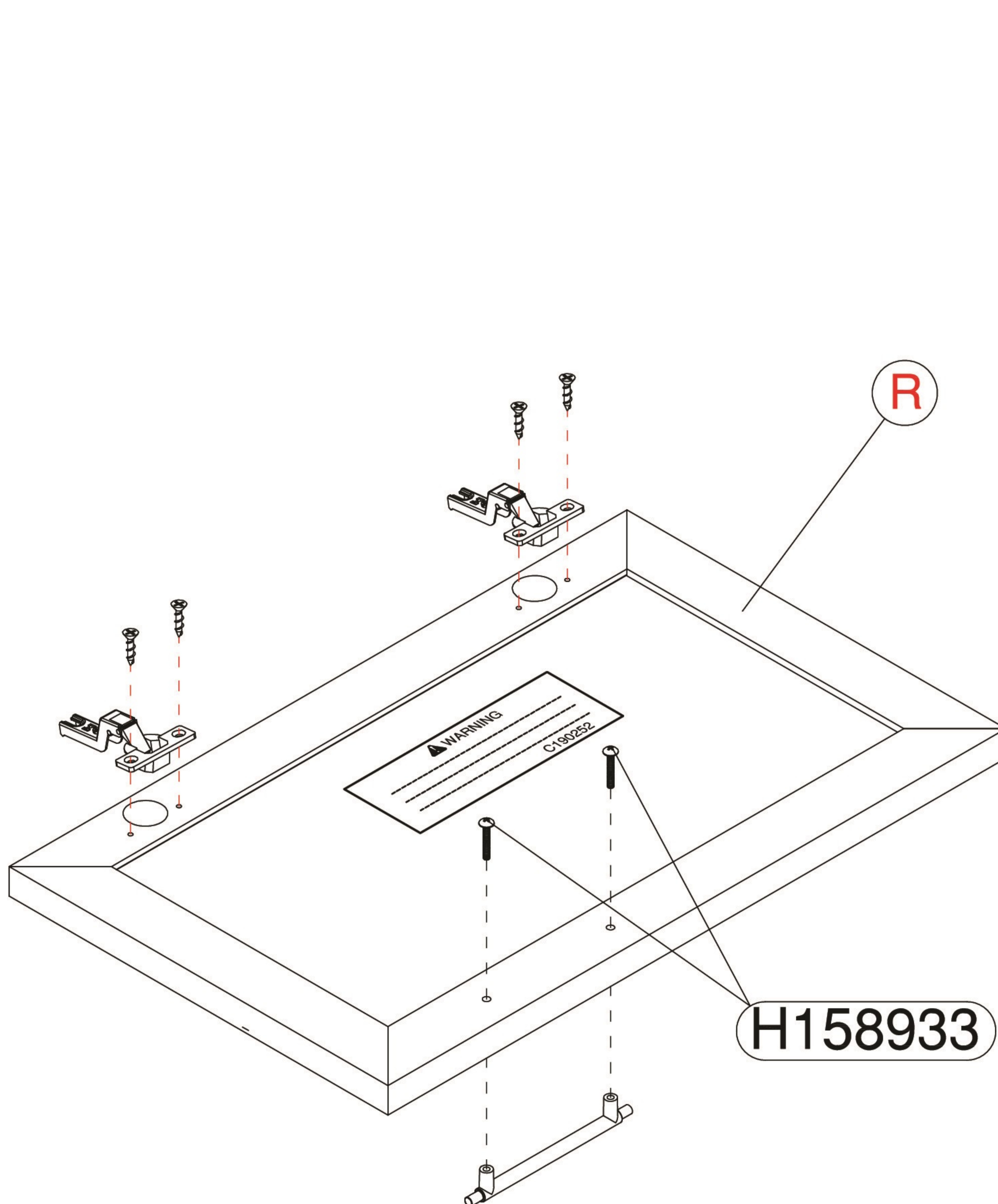
#8 x 3/4"

H180971



Handle

[ 1 ]

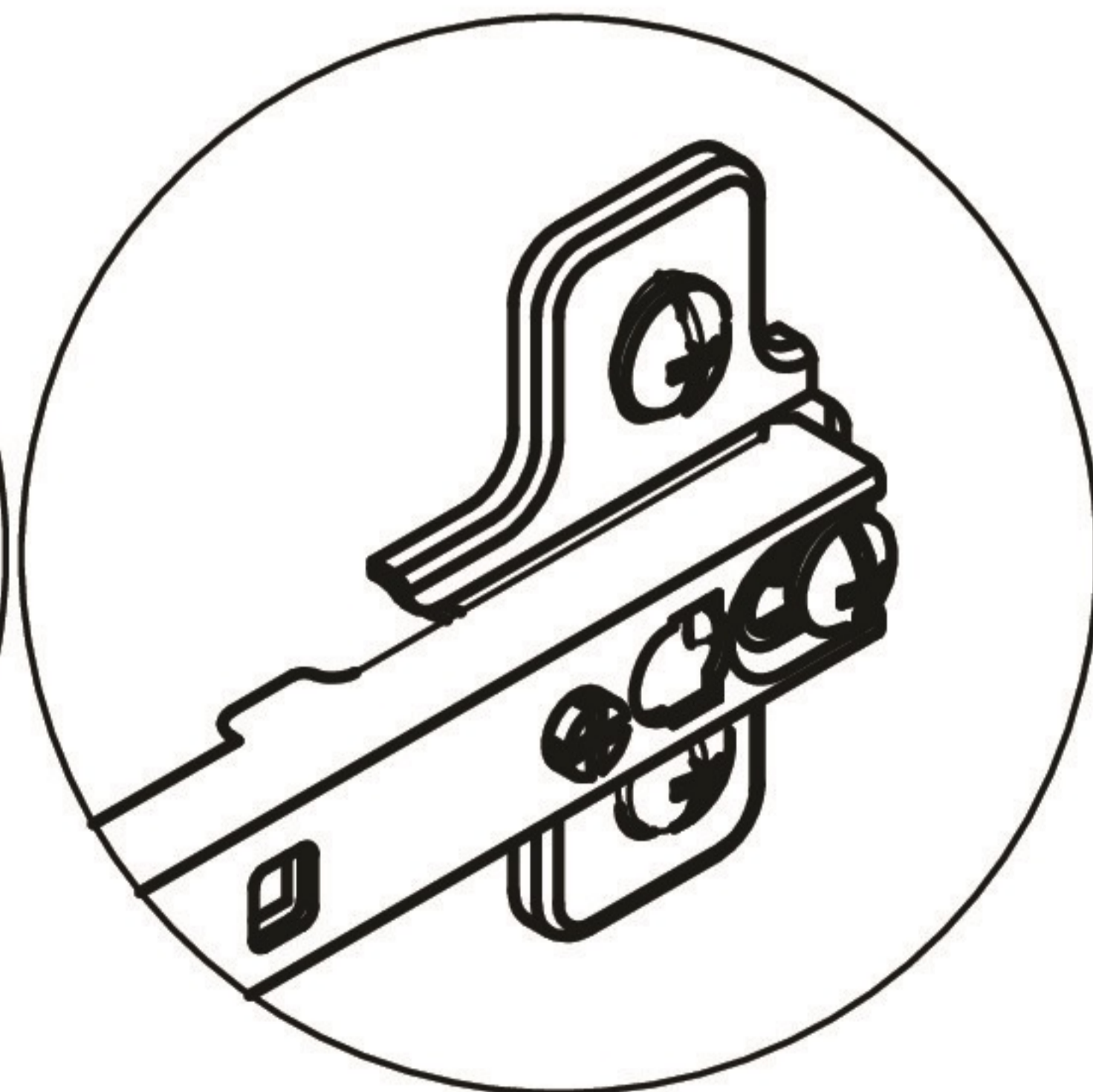
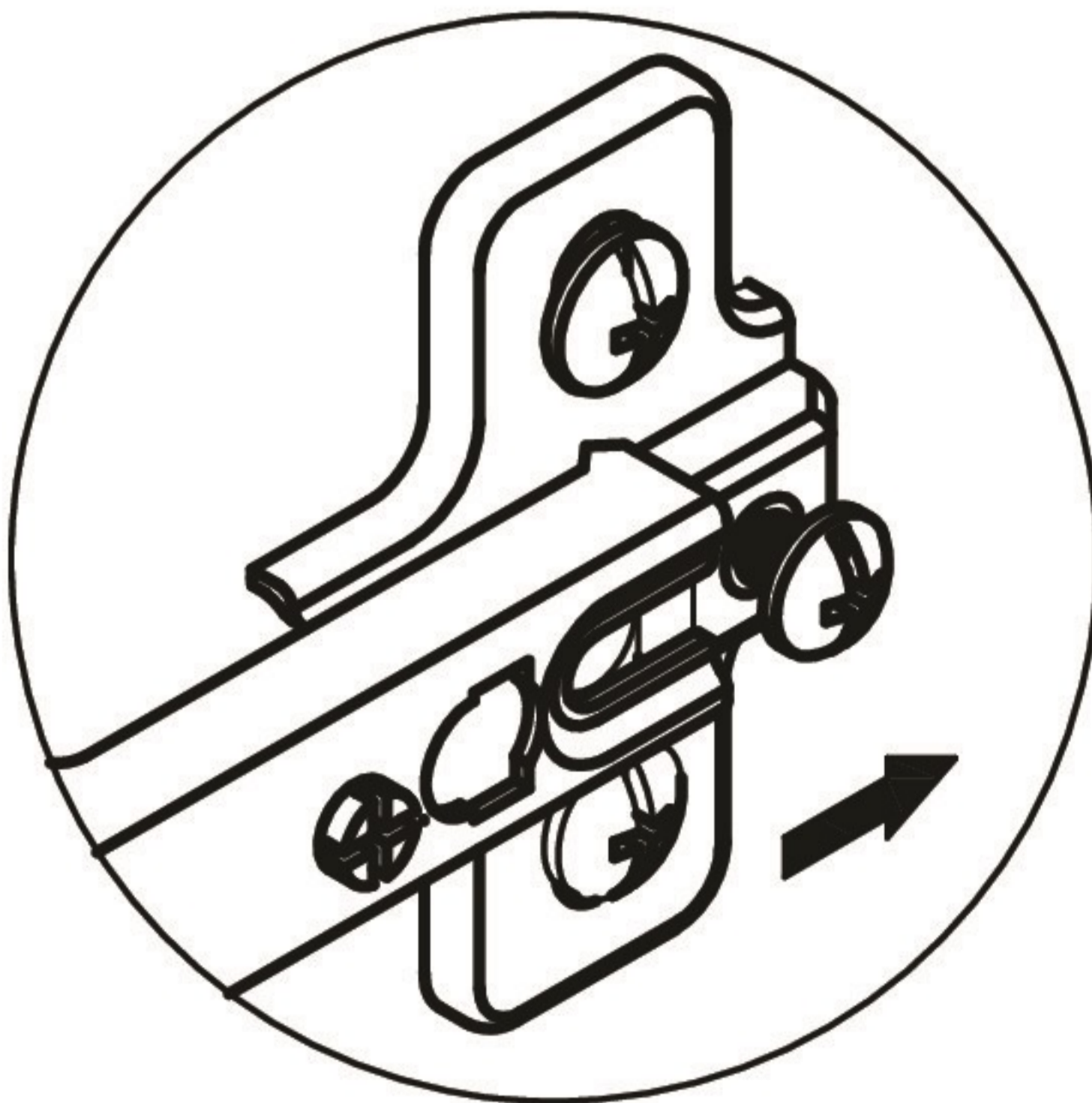
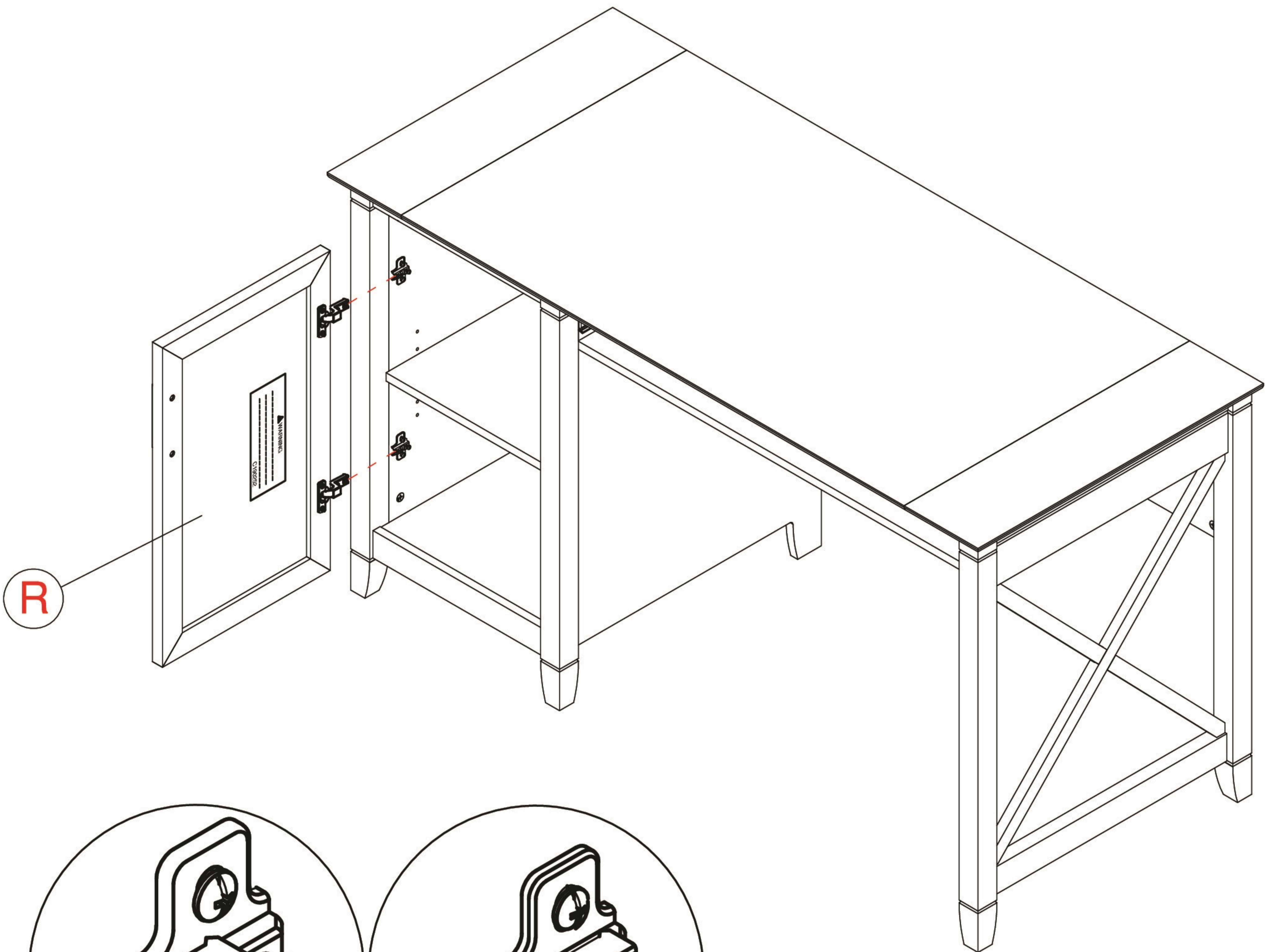
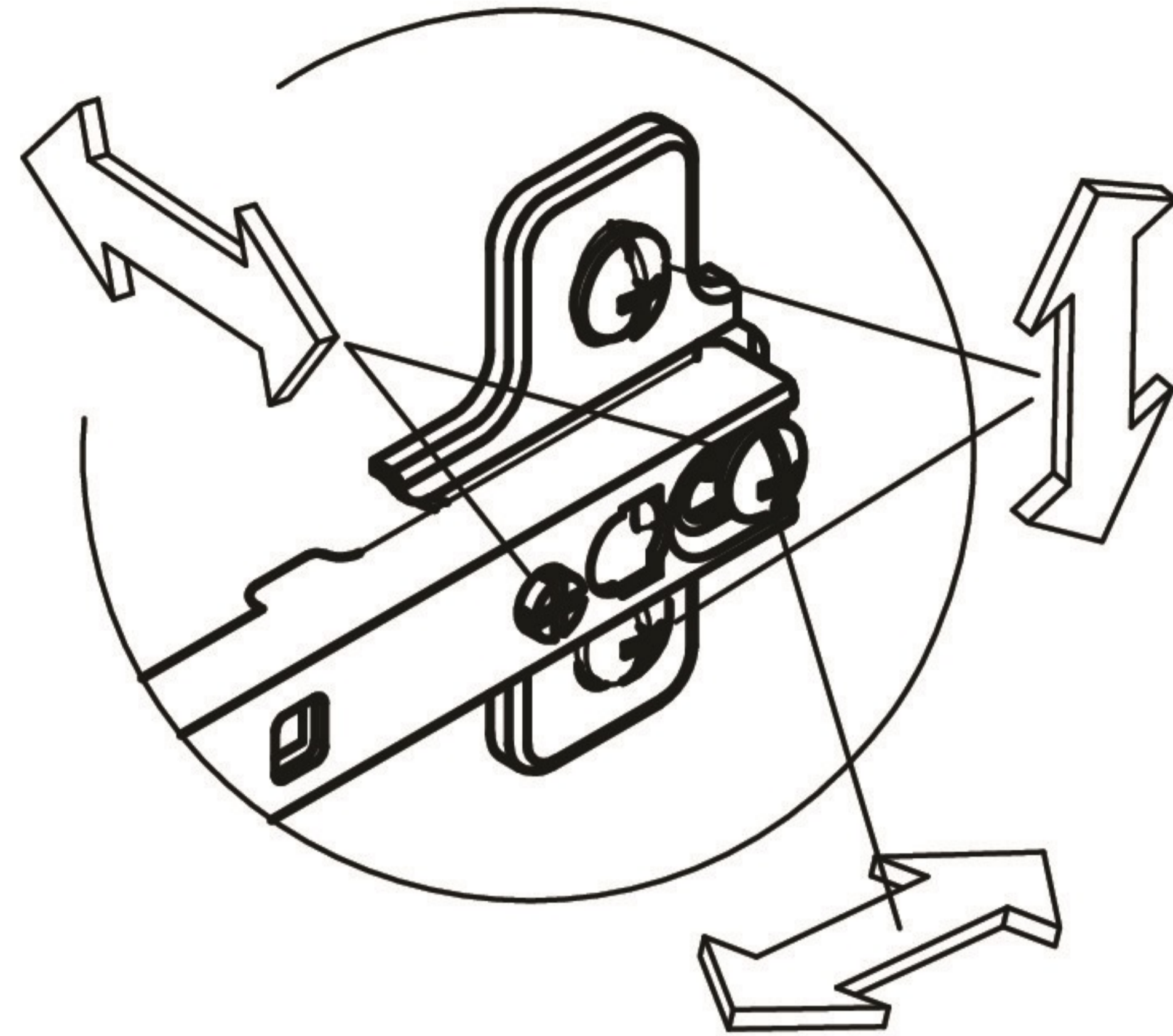


R

H158933

**STEP 23**

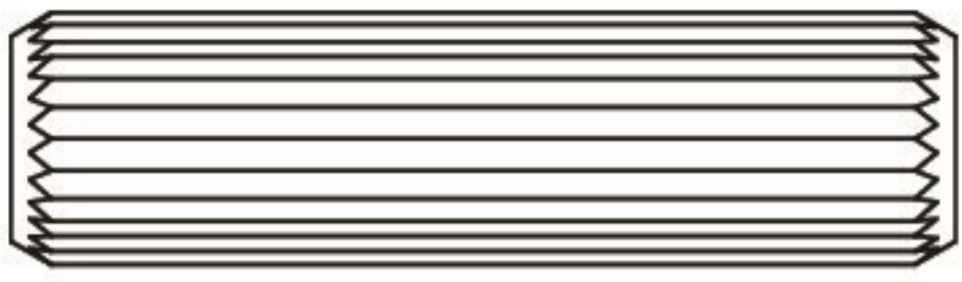
**Assemble and Adjust Door**



# STEP 24

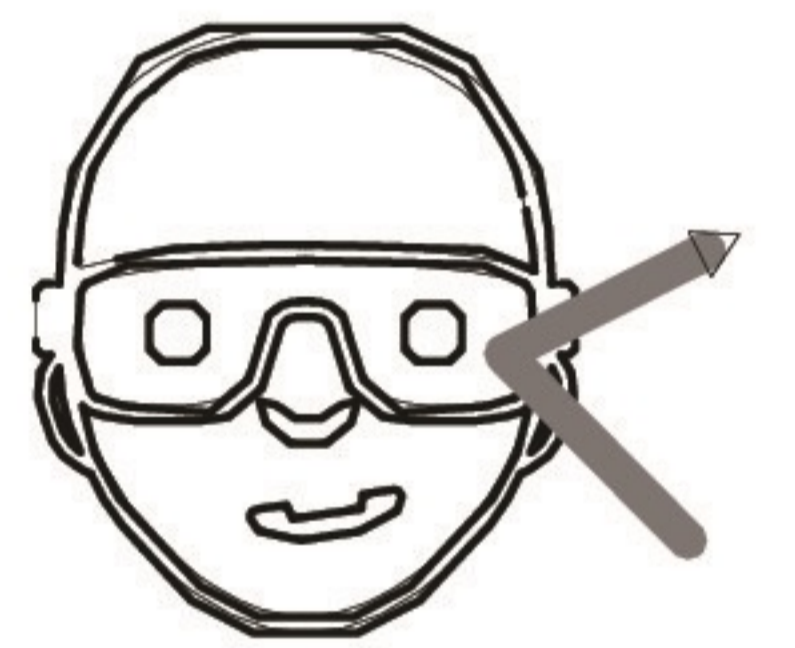
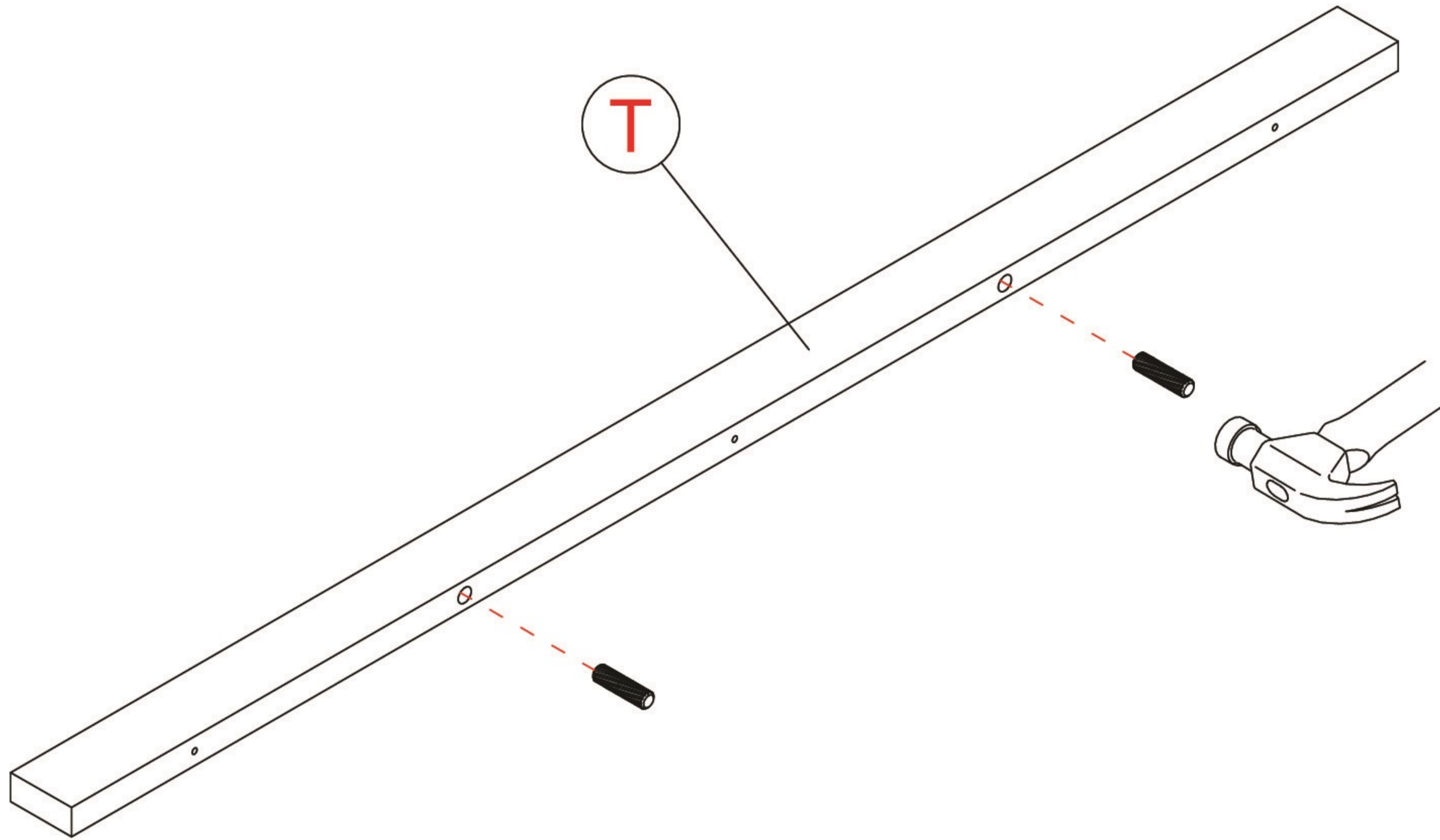
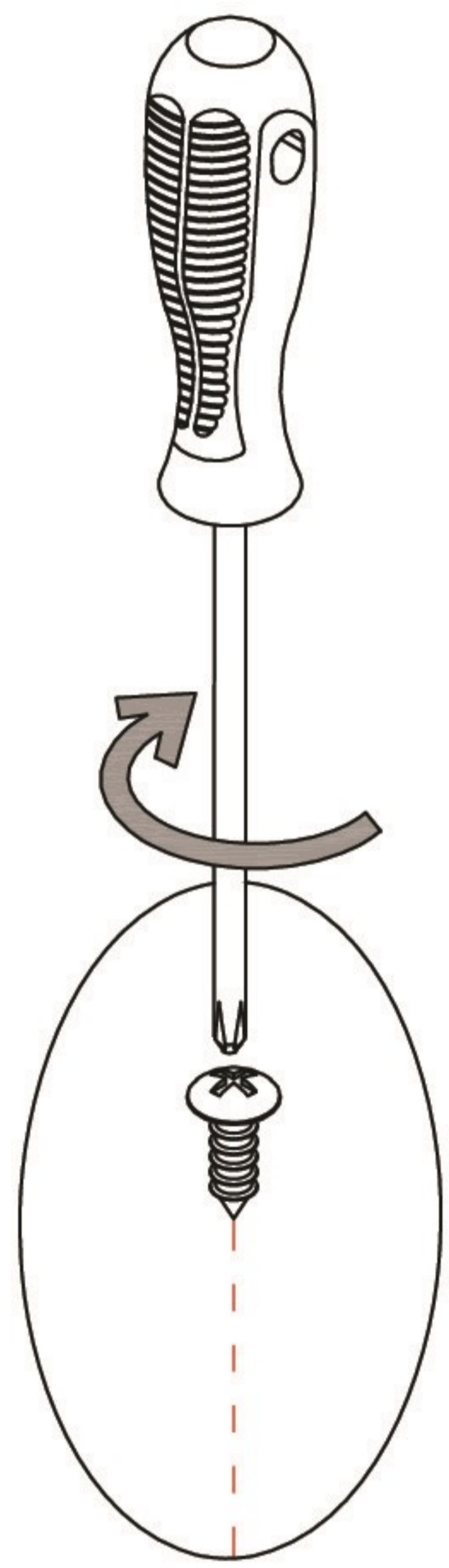
# Install Slide Runners

H101725  [ 6 ]  
#6 x 1/2"

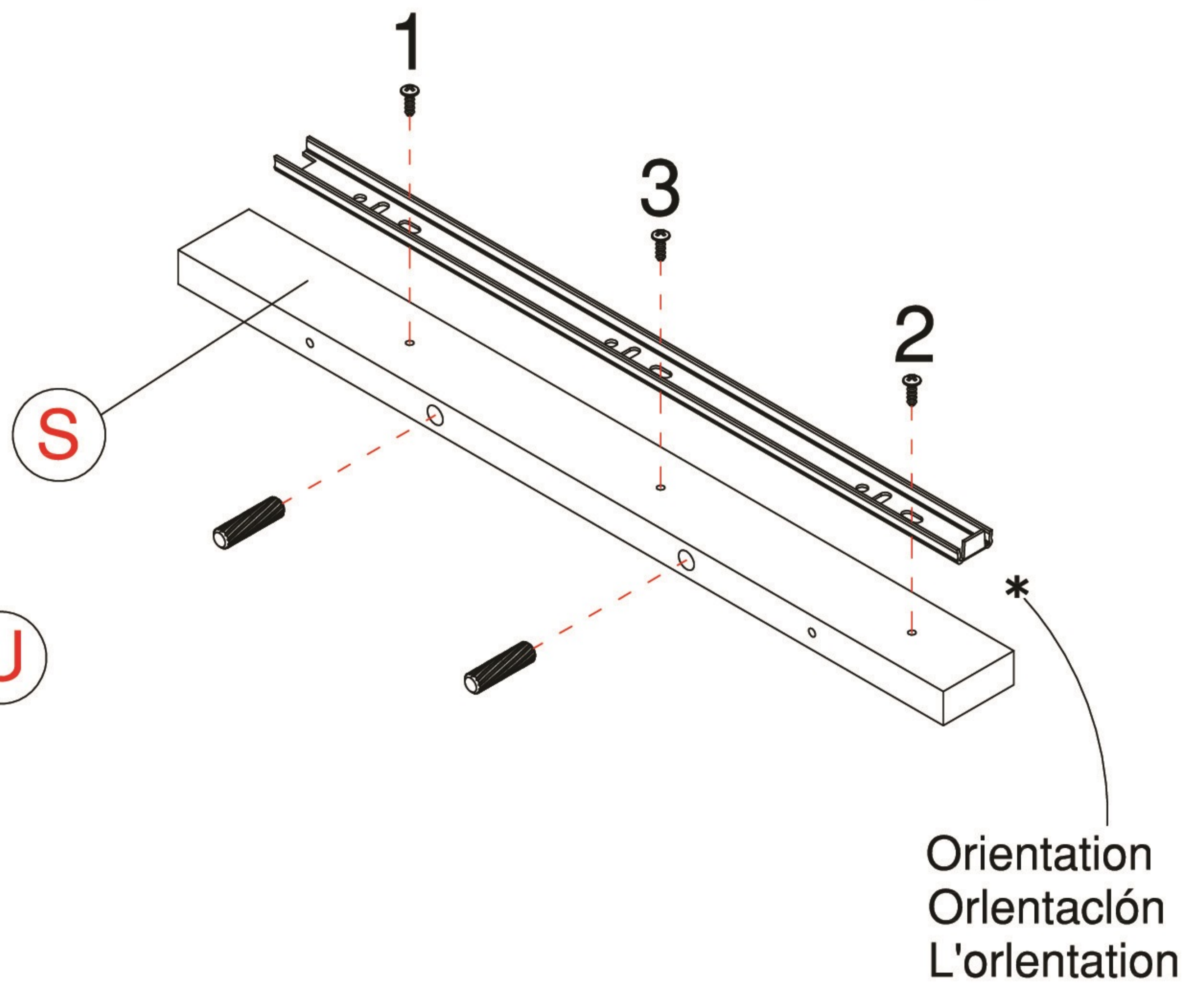
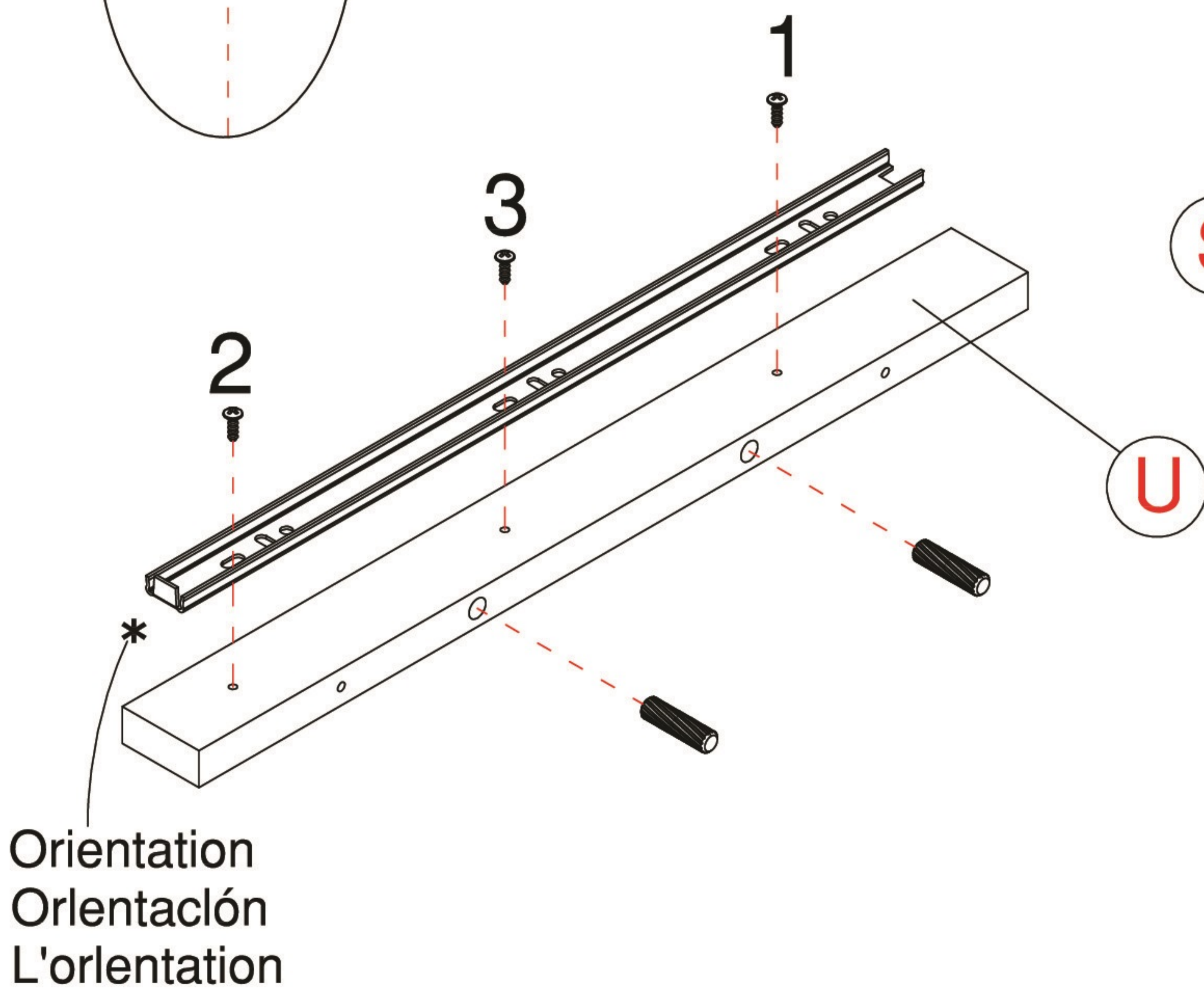
H38169  [ 6 ]  
Wood Dowel  
8 x 30mm

H167910  [ 2 ]  
14" Slide Runner

Orientation  
Orientación  
L'orientation

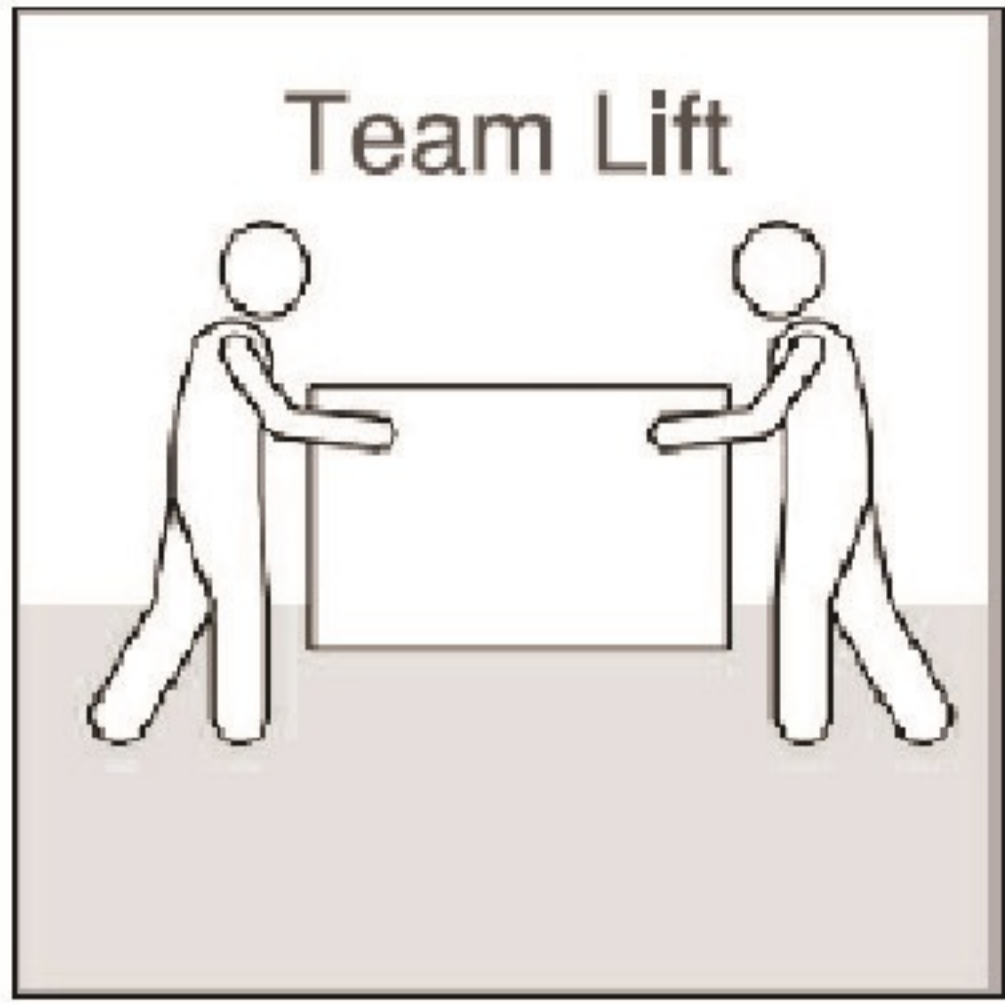


Safety glasses  
Gafas de seguridad  
Lunettes de protection

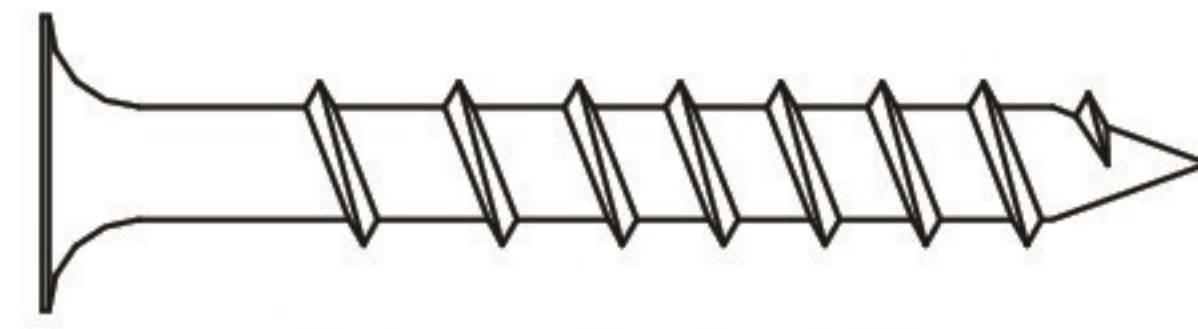


# STEP 25

# Assemble Keyboard Shelf

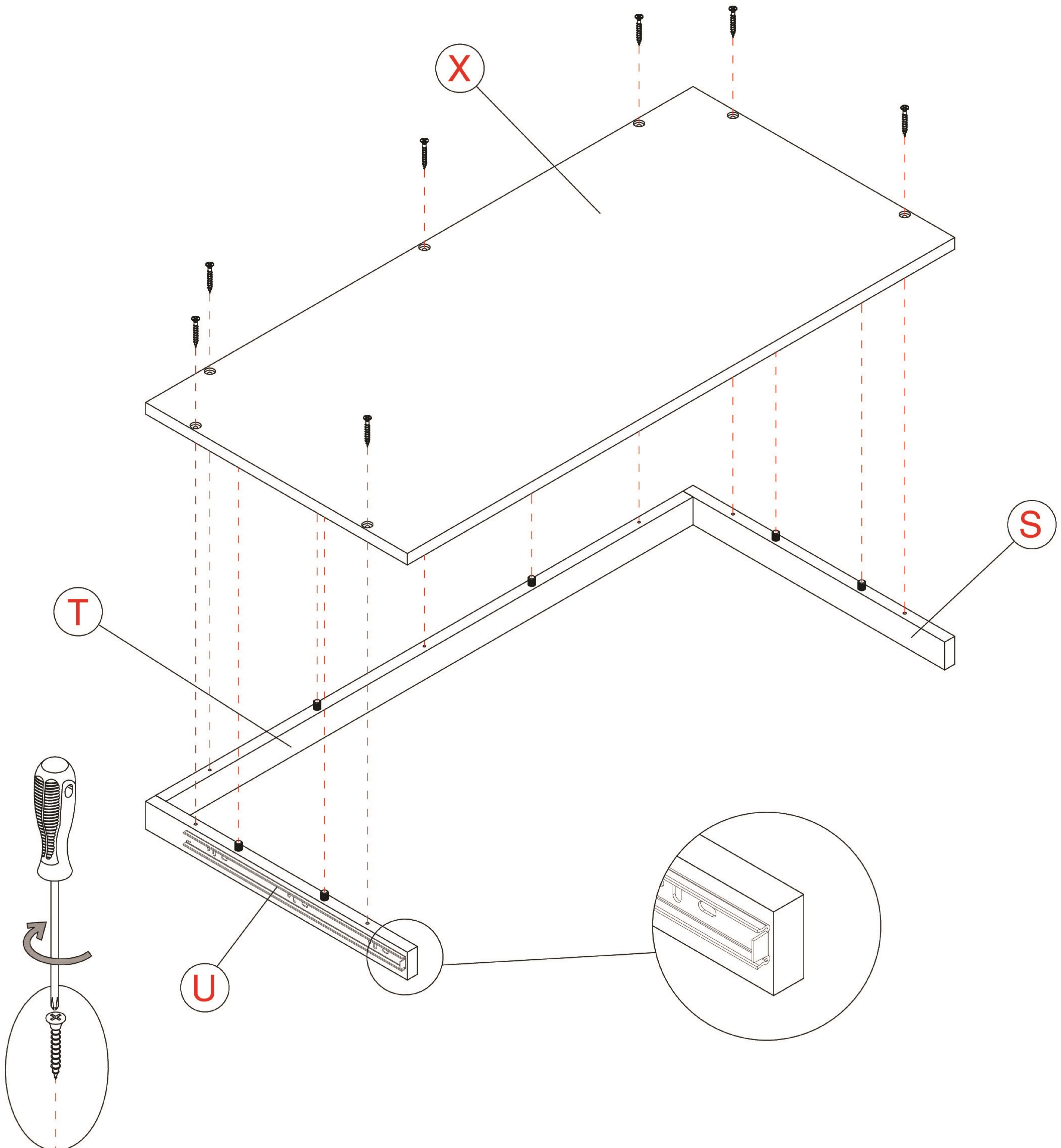


H23198



[ 7 ]

#10 x 1-1/2"



# STEP 26

# Prepare Panel

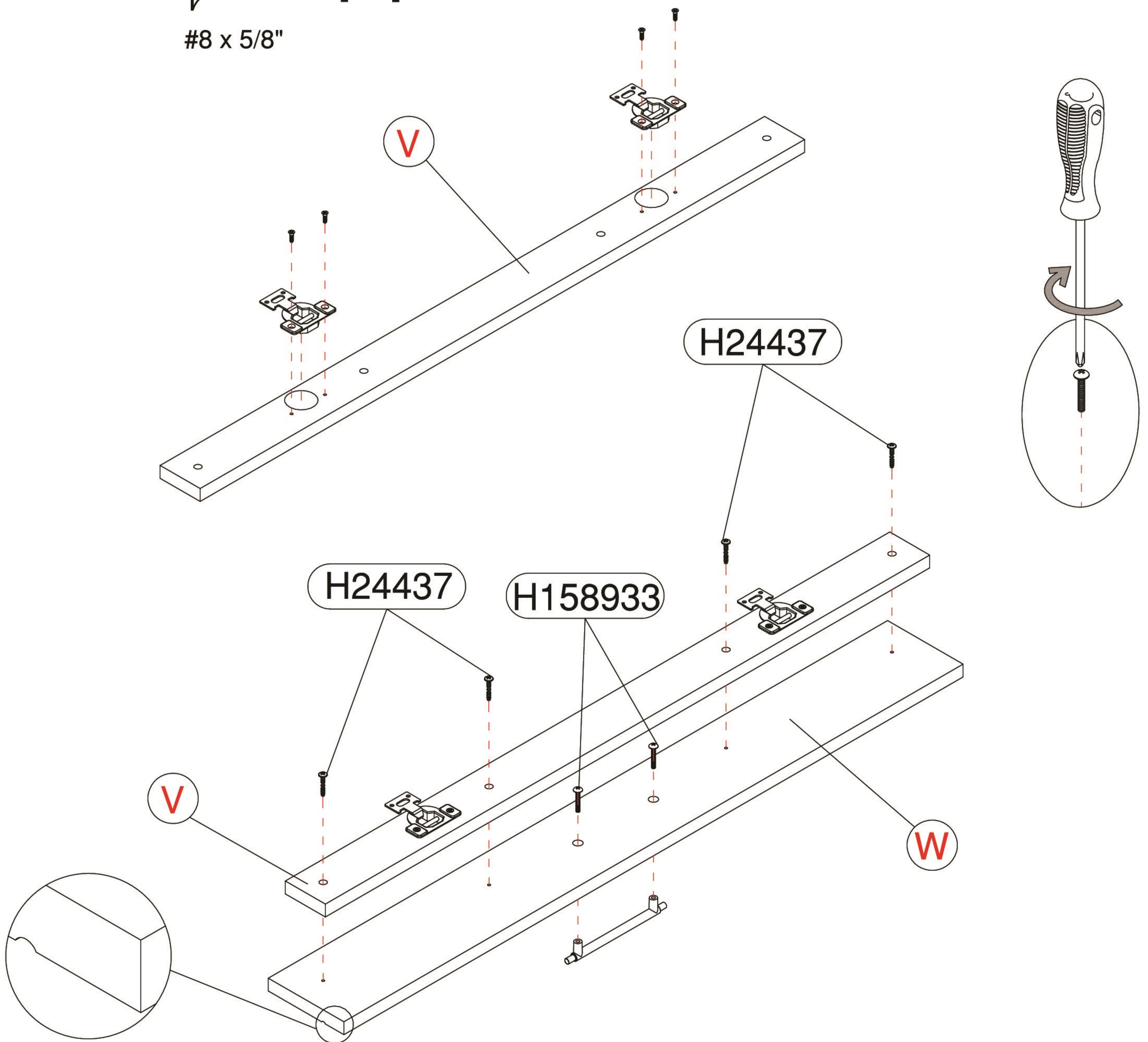
H24437 [ 4 ]  
#8 x 1"

H158933 [ 2 ]  
#8 x 3/4"

H180971 [ 1 ]  
Handle

H180675 [ 2 ]  
Hinge

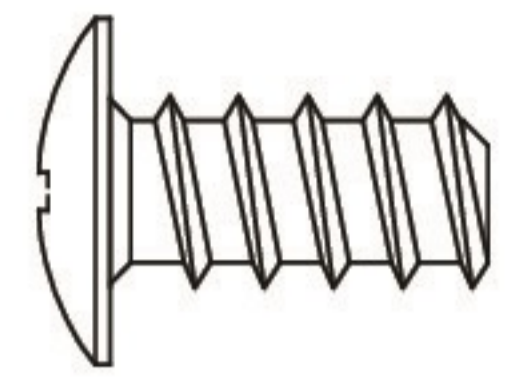
H153242 [ 4 ]  
#8 x 5/8"



# STEP 27

# Assemble Panel

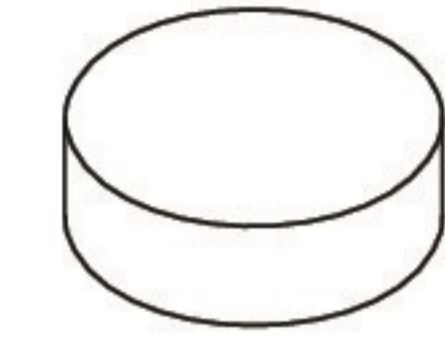
H146988



[ 2 ]

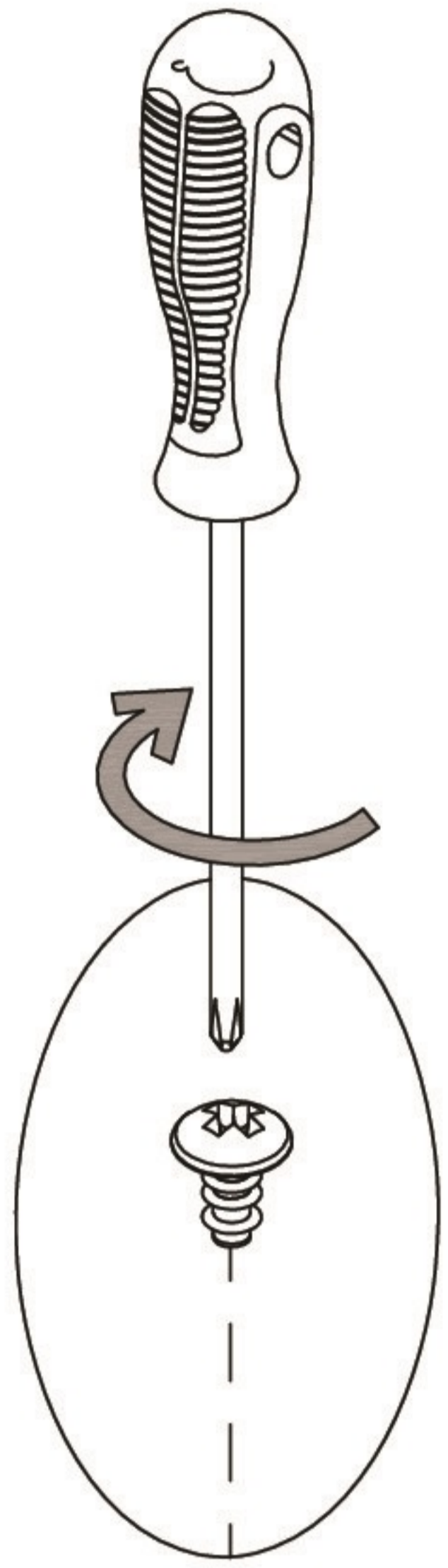
#12 x 1/2"

H180671



[ 2 ]

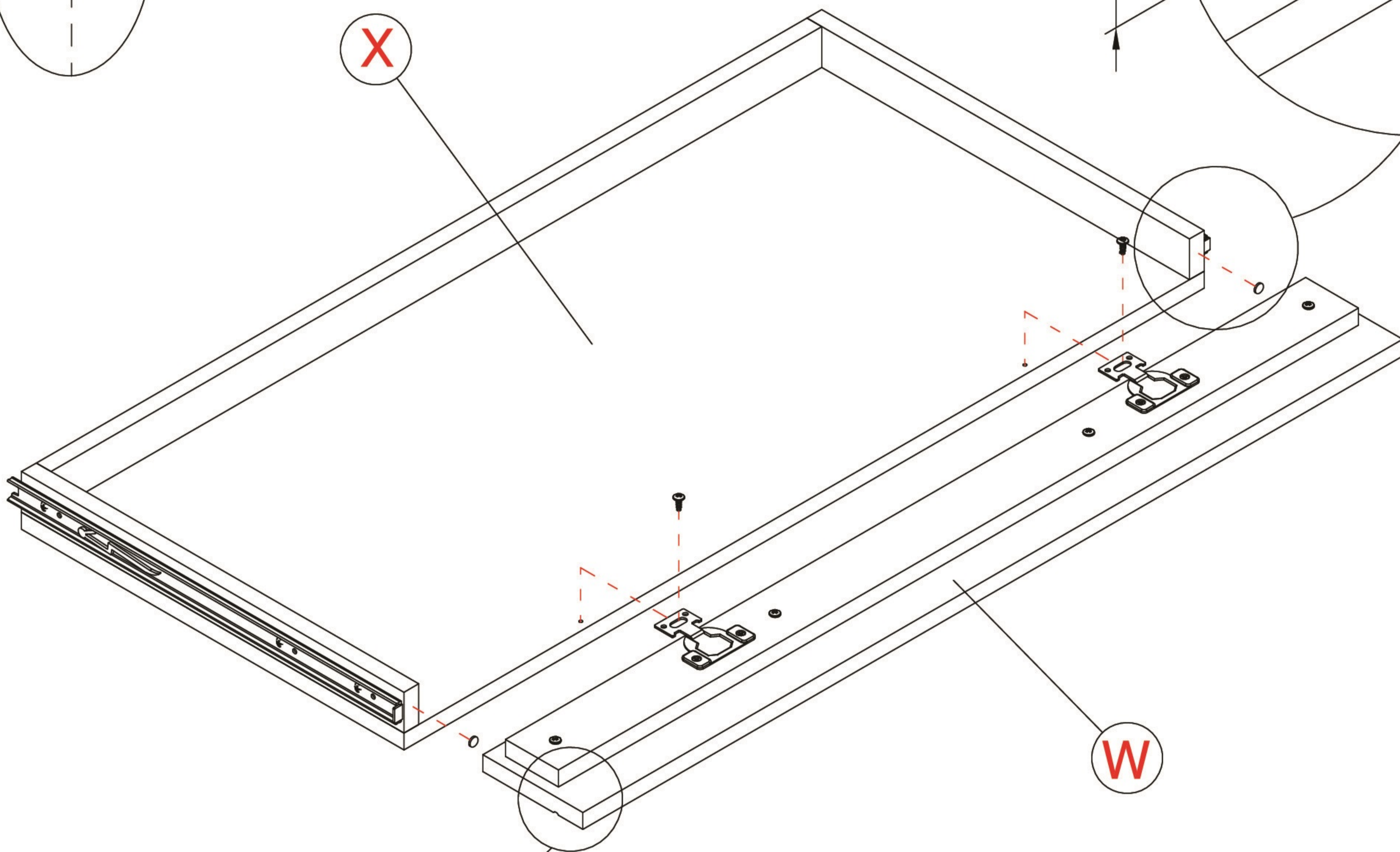
Bumper



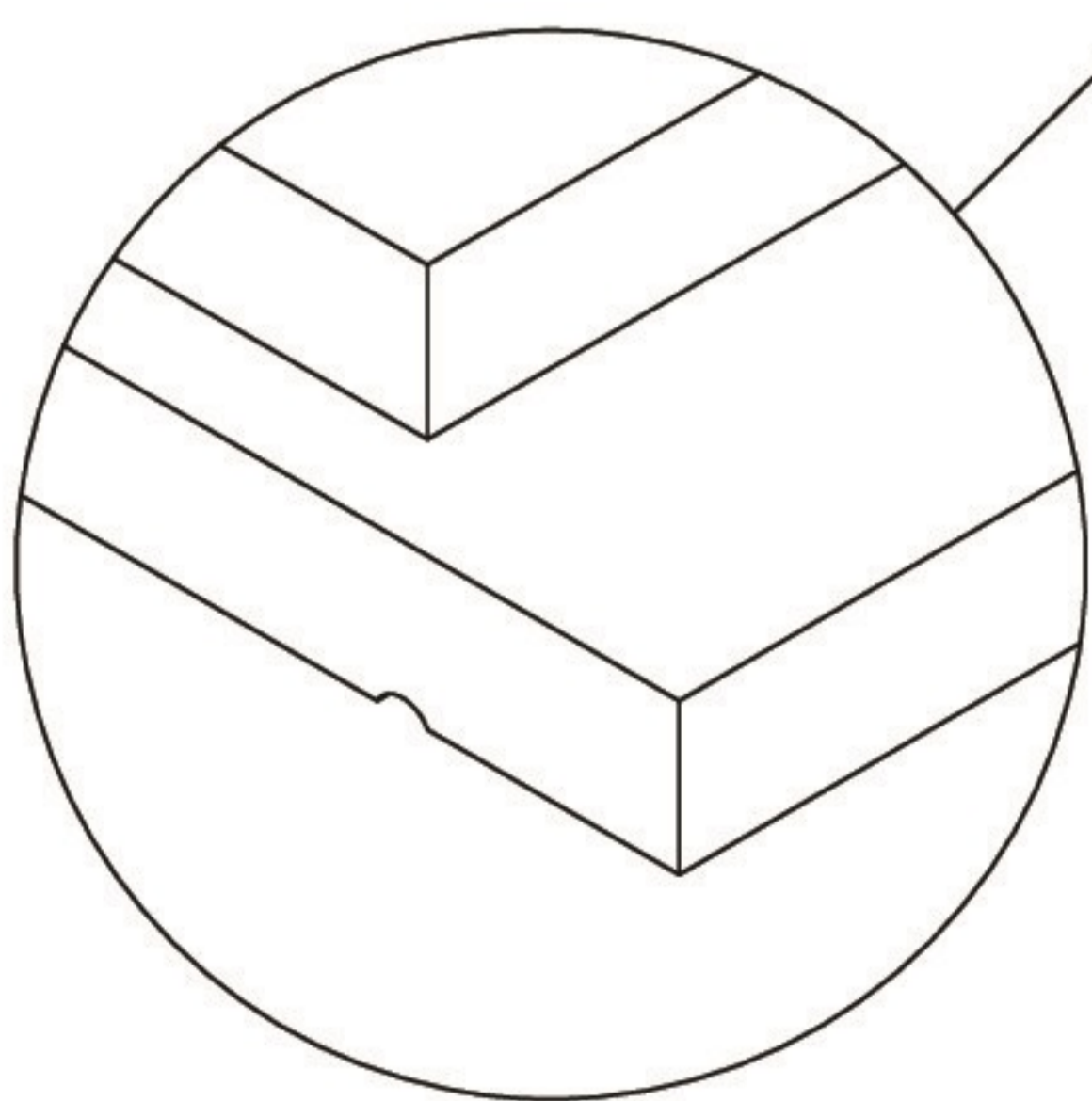
X

3/8"  
10mm

5/16"  
7.5mm

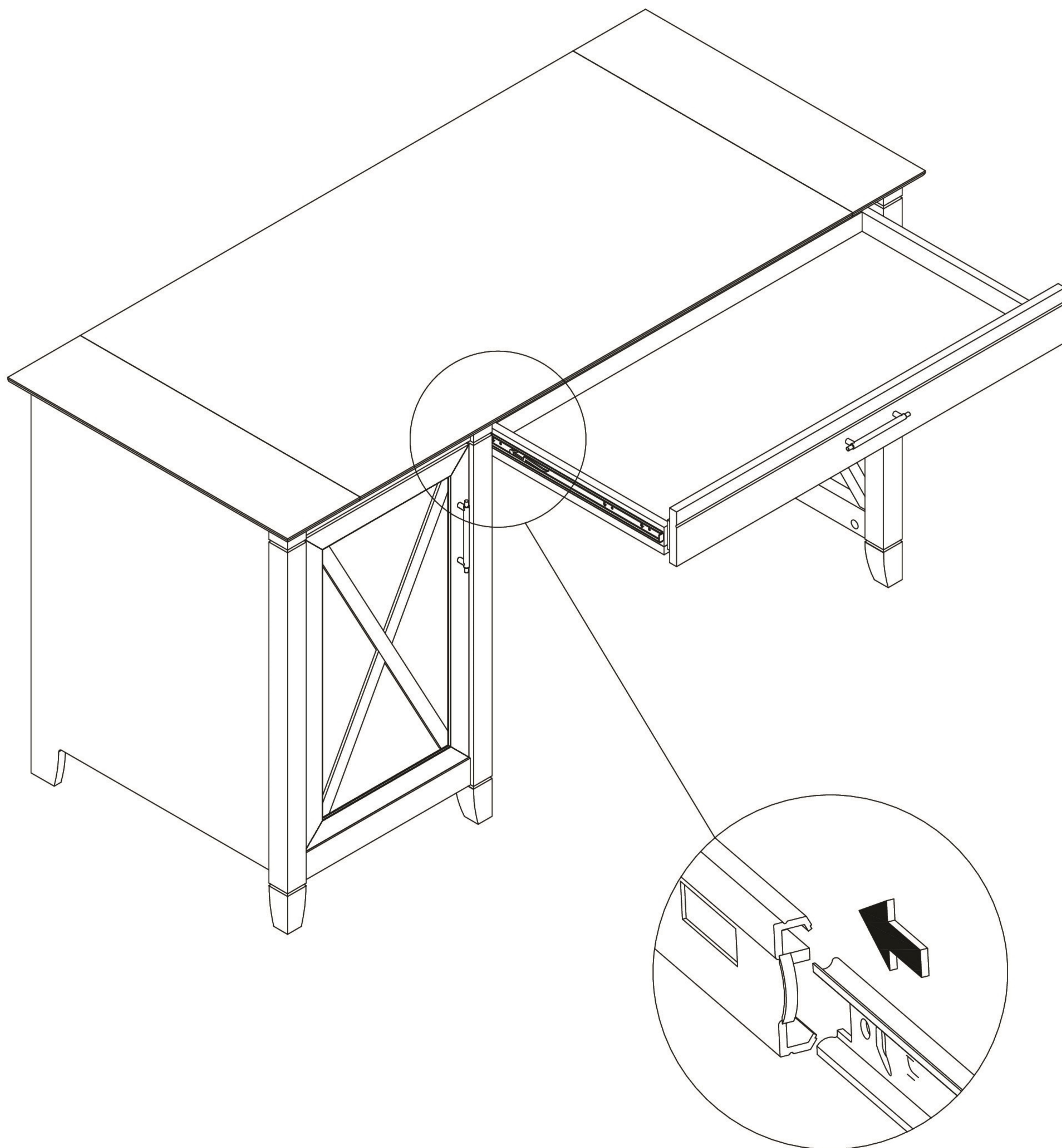


W



# STEP 28

# Insert Drawer



## STEP 29

## Maximum Loading and Cleaning

Gently clean surfaces with a damp sponge eraser.

**MAXIMUM WEIGHT: 200 LBS (90.72 KG)**

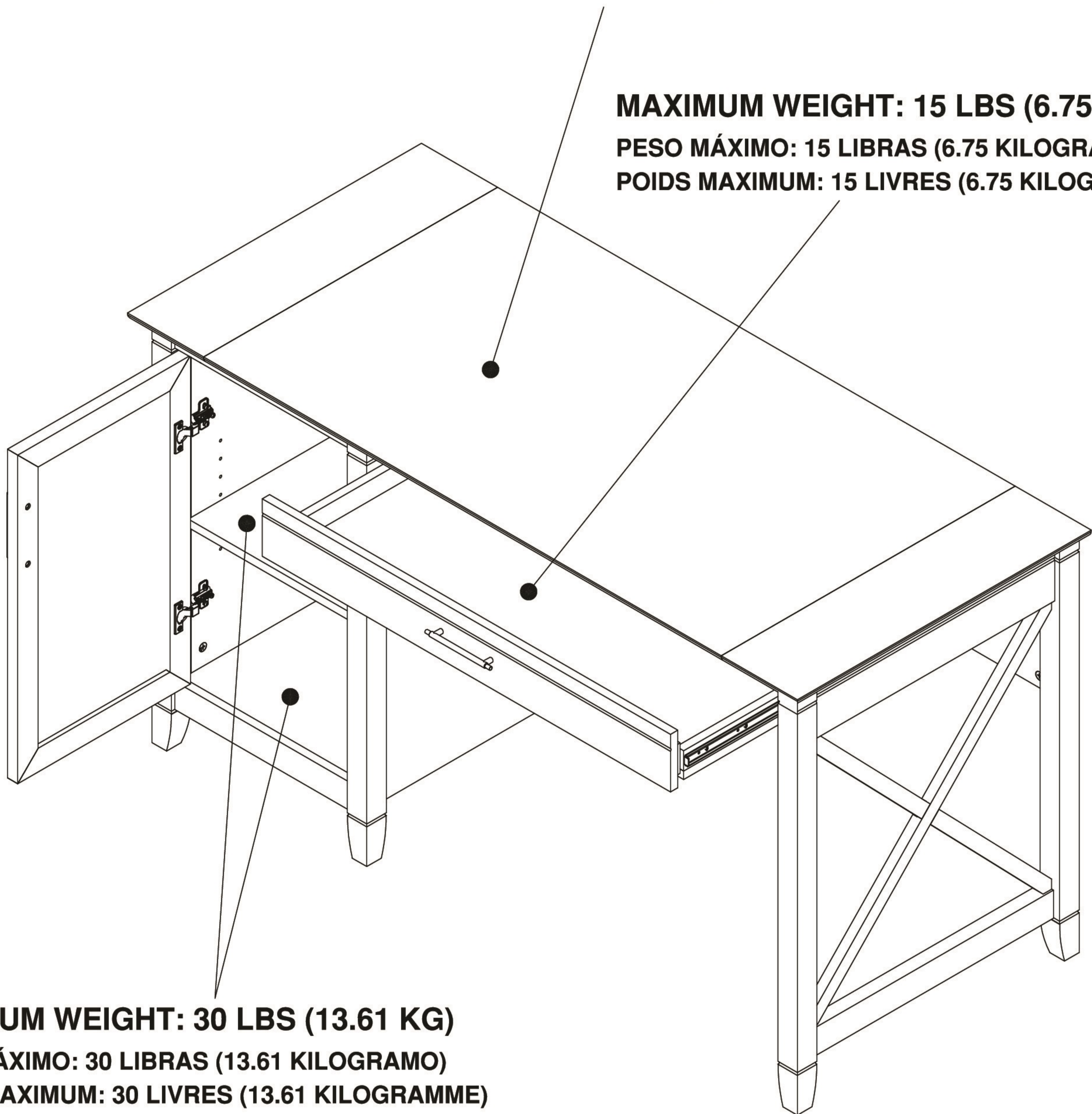
**PESO MÁXIMO: 200 LIBRAS (90.72 KILOGRAMO)**

**POIDS MAXIMUM: 200 LIVRES (90.72 KILOGRAMME)**

**MAXIMUM WEIGHT: 15 LBS (6.75 KG)**

**PESO MÁXIMO: 15 LIBRAS (6.75 KILOGRAMO)**

**POIDS MAXIMUM: 15 LIVRES (6.75 KILOGRAMME)**



**MAXIMUM WEIGHT: 30 LBS (13.61 KG)**

**PESO MÁXIMO: 30 LIBRAS (13.61 KILOGRAMO)**

**POIDS MAXIMUM: 30 LIVRES (13.61 KILOGRAMME)**

Congratulations! You are all done.

**THIS PAGE INTENTIONALLY LEFT BLANK**

**THIS PAGE INTENTIONALLY LEFT BLANK**