

ASSEMBLY INSTRUCTION

Thank you for purchasing this quality product. Be sure to check all packing material carefully for small parts which may have come loose inside the carton during shipment. Separate, identify and count all parts and hardware. Compare with the parts list to be sure all parts are present.

IMPORTANT : PLEASE READ INSTRUCTION BEFORE STARTING THE ASSEMBLY.

"DO NOT TIGHTEN SCREWS UNTIL COMPLETELY ASSEMBLED"

"DO NOT OVERTIGHT ANY HARDWARE"

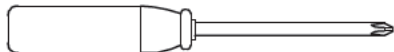
WARNING : SMALL PARTS AND HARDWARE NOT FOR CHILDREN UNDER 3 YEARS. ADULT ASSEMBLY REQUIRED.

TABLE OF CONTENTS

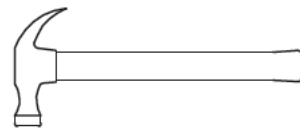
HARDWARES LIST	PAGE 2
PARTS LIST	PAGE 3 - 4
PARTS' LOCATION	PAGE 5
ASSEMBLY STEPS	PAGE 6 - 13
ASSEMBLY COMPLETED	PAGE 14

ASSEMBLY TOOLS REQUIRED

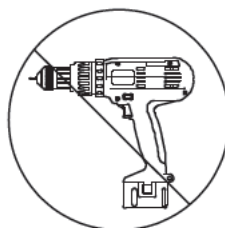
1. Screwdriver (not provide)



2. Hammer (not provide)

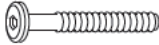



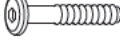
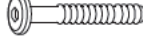










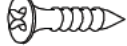
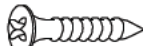


Skip the power trip this time.



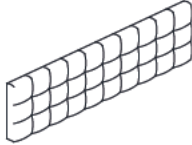
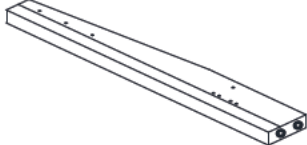
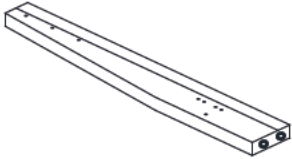
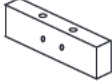
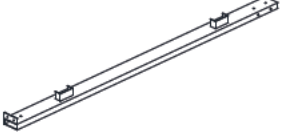
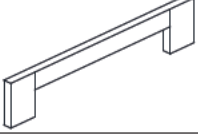

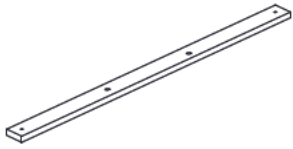

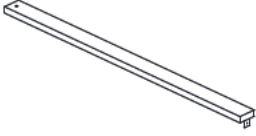
ASSEMBLY INSTRUCTION

HARDWARES LIST

ITEM	DESCRIPTION	DRAWING	QTY
A	JCBC SCREW M8 x 70MM		4 PCS
B	WOOD DOWEL M10 x 30MM		4 PCS
C	JCBC SCREW M6 x 15MM		8 PCS
D	JCBC SCREW M6 x 20MM		16 PCS
E	JCBC SCREW M6 x 35MM		6 PCS
F	JCBC SCREW M6 x 50MM		2 PCS
G	SPRING WASHER M6 x 12MM		8 PCS
H	FLAT WASHER M6 x 19MM		8 PCS
I	SPRING WASHER M8 x 13MM		4 PCS
J	FLAT WASHER M8 x 22MM		4 PCS
K	M4 ALLEN KEY (100MM)		1 PC
L	M5 ALLEN KEY (65MM)		1 PC
M	SUPPORT LEG ADJUSTABLE FEET		6 PCS
N	WOOD DOWEL M6 x 30MM		20 PCS
O	MINIFIX CAM LOCK		10 PCS
P	MINIFIX BOLT		10 PCS
Q	CSK C/B SCREW (M4 x 16MM)		24 PCS
R	CSK C/B SCREW (M4 x 32MM)		2 PCS

ASSEMBLY INSTRUCTION

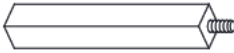
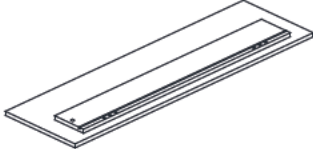
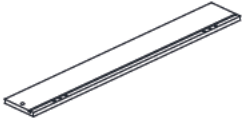


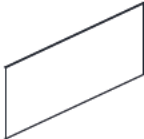


PARTS LIST

ITEM	DESCRIPTION	DRAWING	QTY
1	HEADBOARD		1 PC
2	WING (L)		1 PC
3	WING (R)		1 PC
4	WING SUPPORT		2 PCS
5	SIDE RAIL (L/R)		2 PCS
6	SIDE RAIL (L/R)		2 PCS
7	FOOTBOARD		1 PC
8	SIDE RAIL LEG		2 PCS
9	SLAT WITH NUT		4 PCS
10	CENTRA SUPPORT (SHORT)		2 PCS
11	CENTRA SUPPORT (LONG)		2 PCS

MORE PARTS DETAIL N NEXT PAGE...

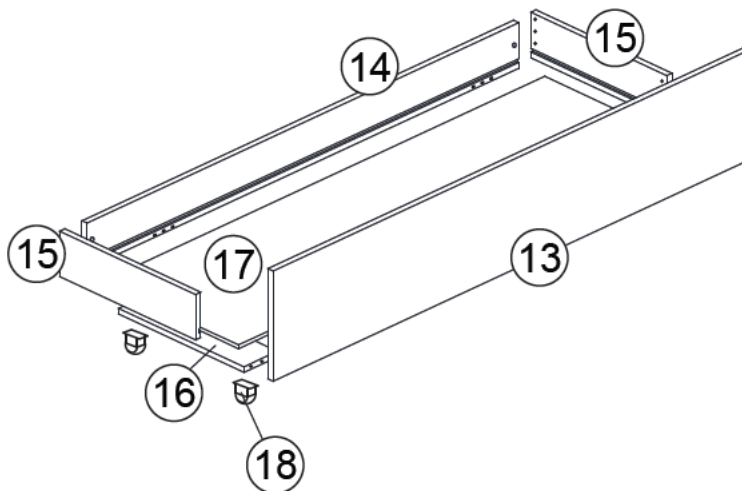
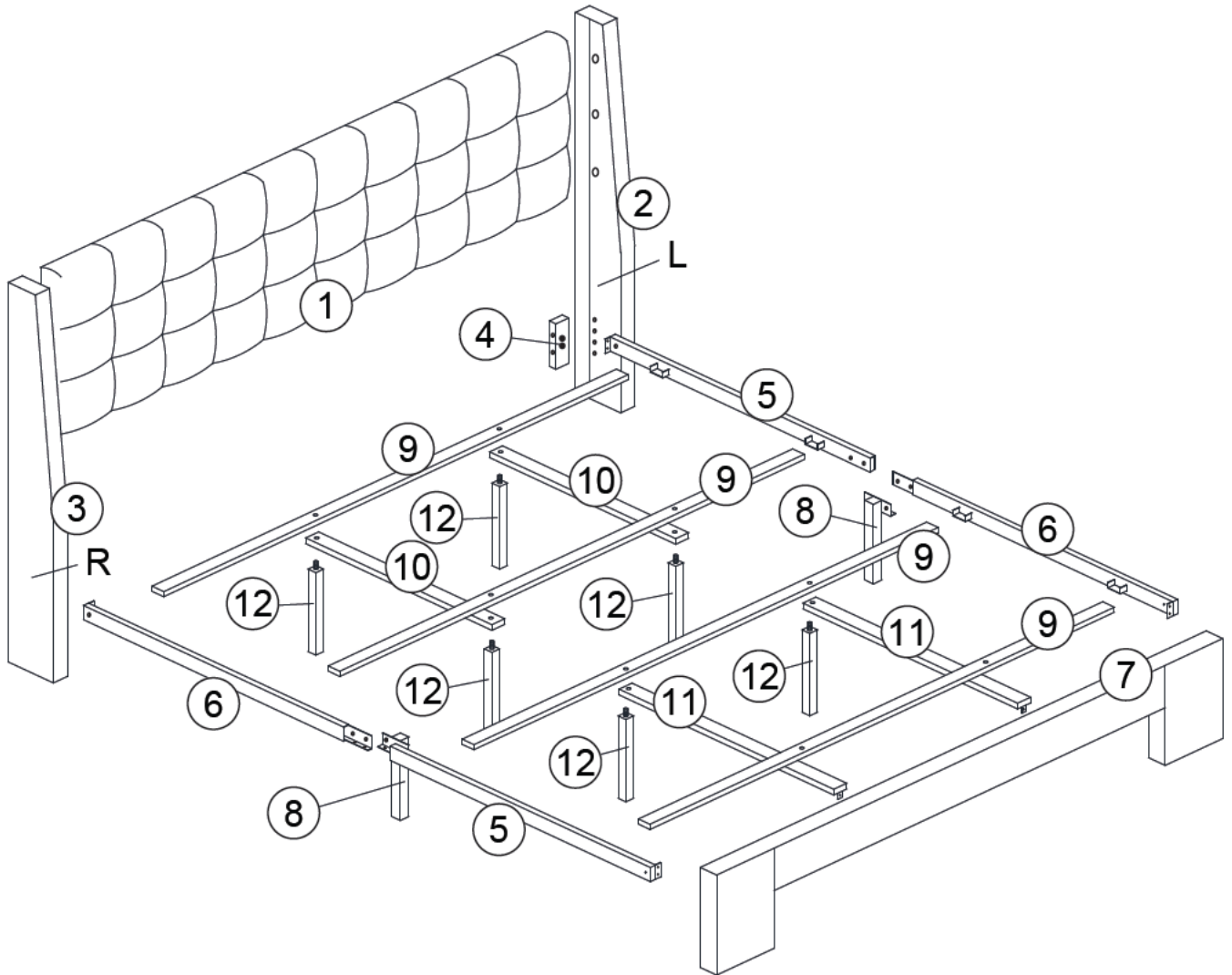
ASSEMBLY INSTRUCTION

PARTS LIST

ITEM	DESCRIPTION	DRAWING	QTY
12	SUPPORT LEG WITH HANGER BOLT		6 PCS
13	DRAWER FRONT PANEL		1 PC
14	DRAWER BACK PANEL		1 PC
15	DRAWER SIDE PANEL		2 PCS
16	DRAWER SUPPORT		3 PCS
17	DRAWER PANEL		1 PC
18	CASTOR		6 PCS
19	SIDE RAIL COVER		2 PCS

ASSEMBLY INSTRUCTION

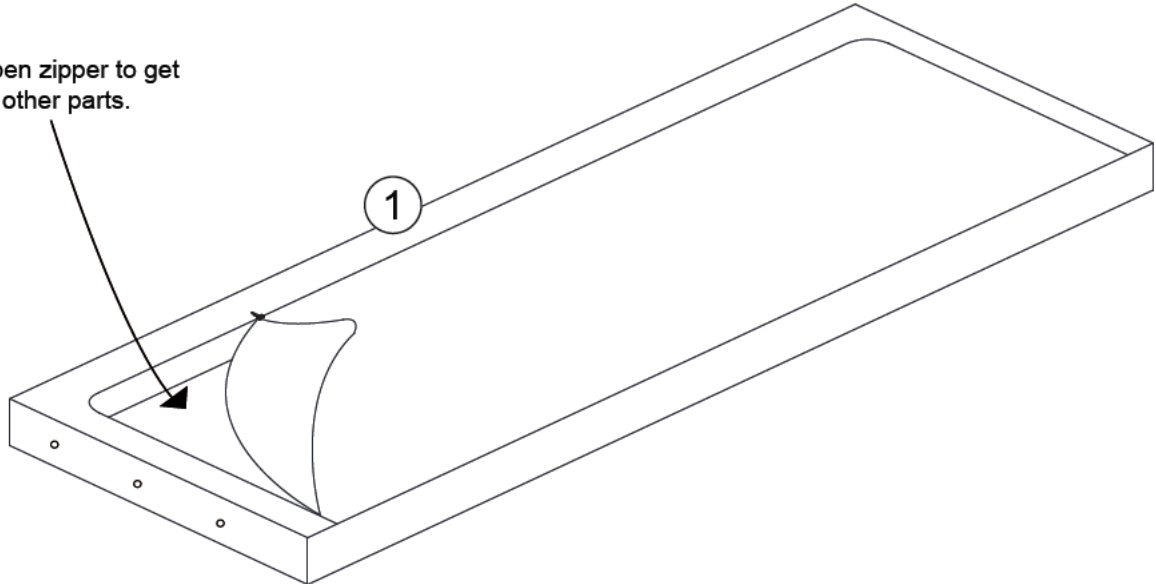
PARTS ' LOCATION



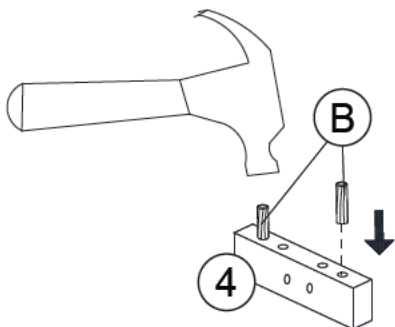
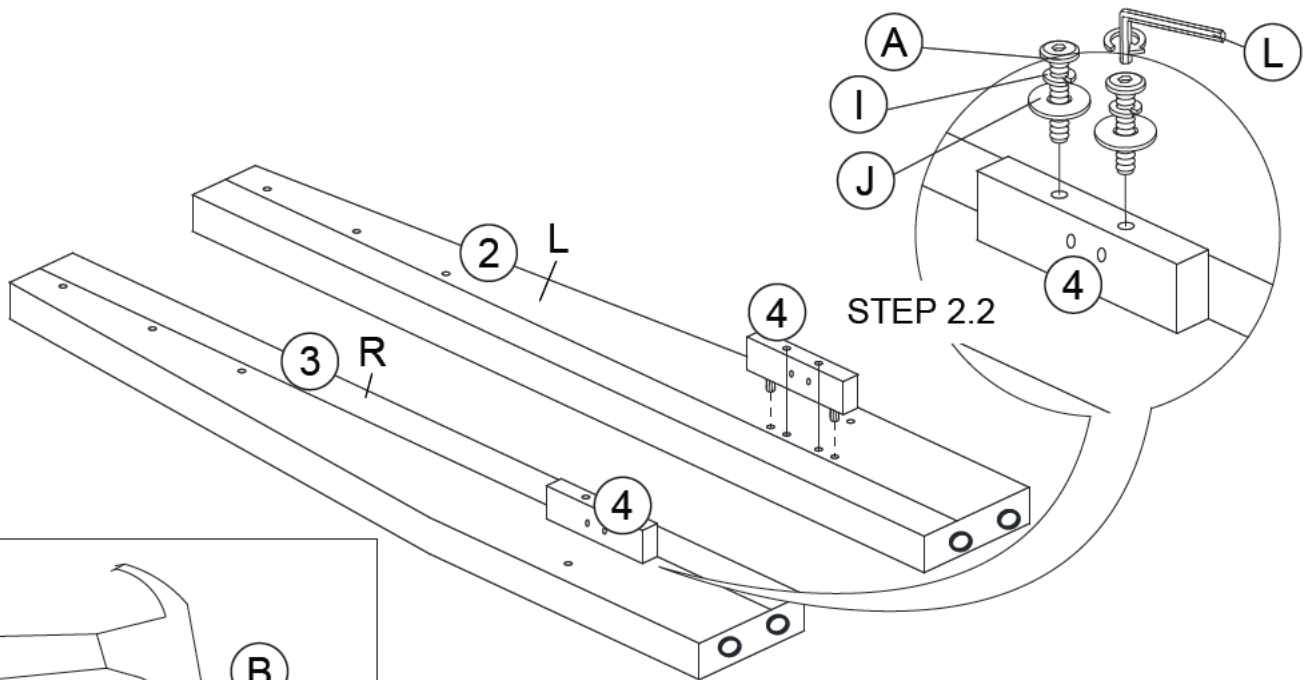
ASSEMBLY INSTRUCTION

STEP 1

Open zipper to get all other parts.



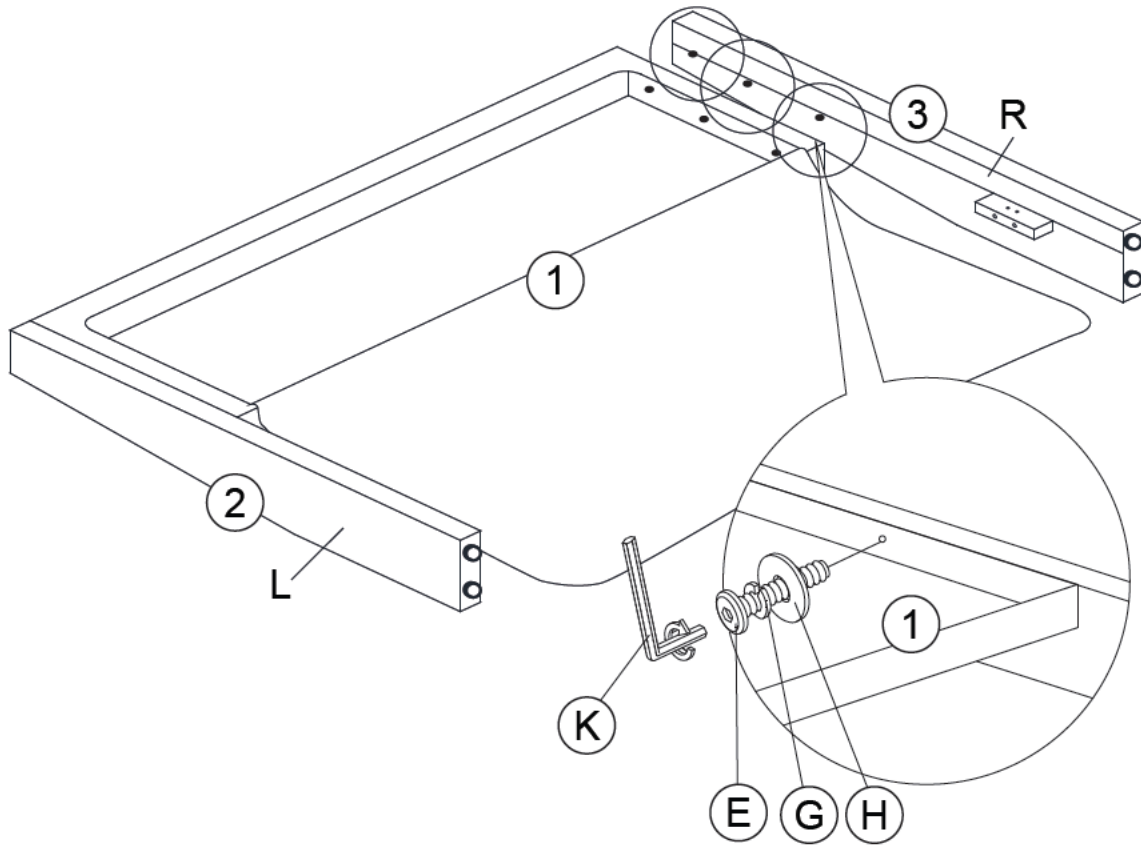
STEP 2



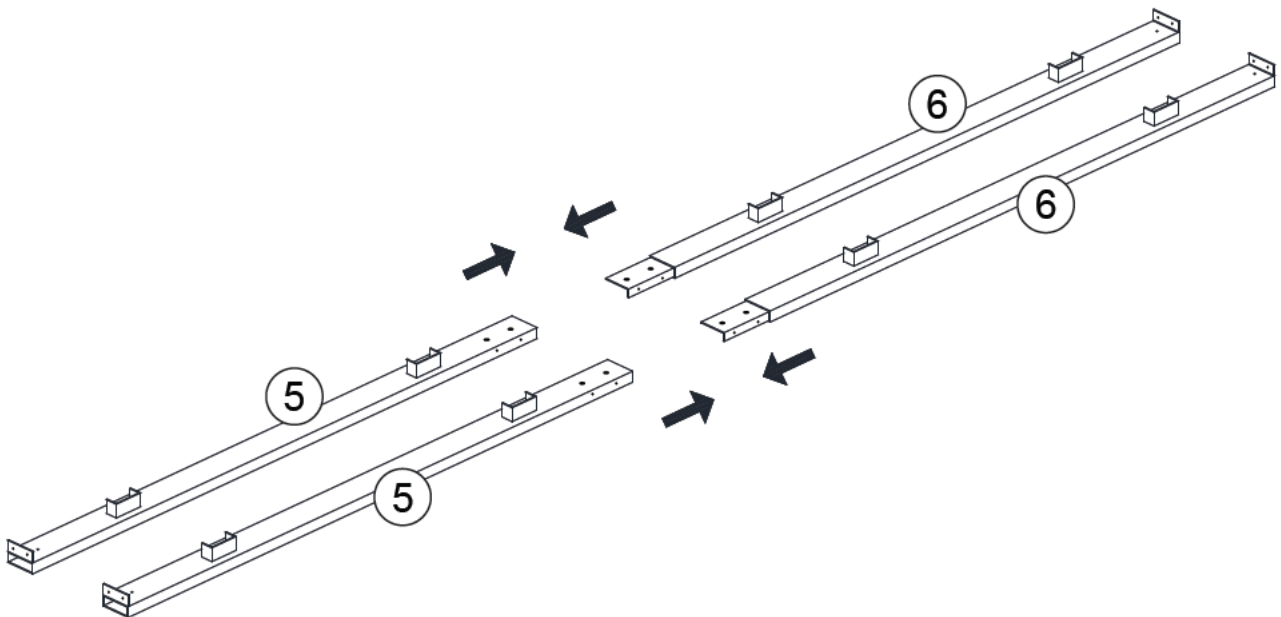
STEP 2.1

ASSEMBLY INSTRUCTION

STEP 3

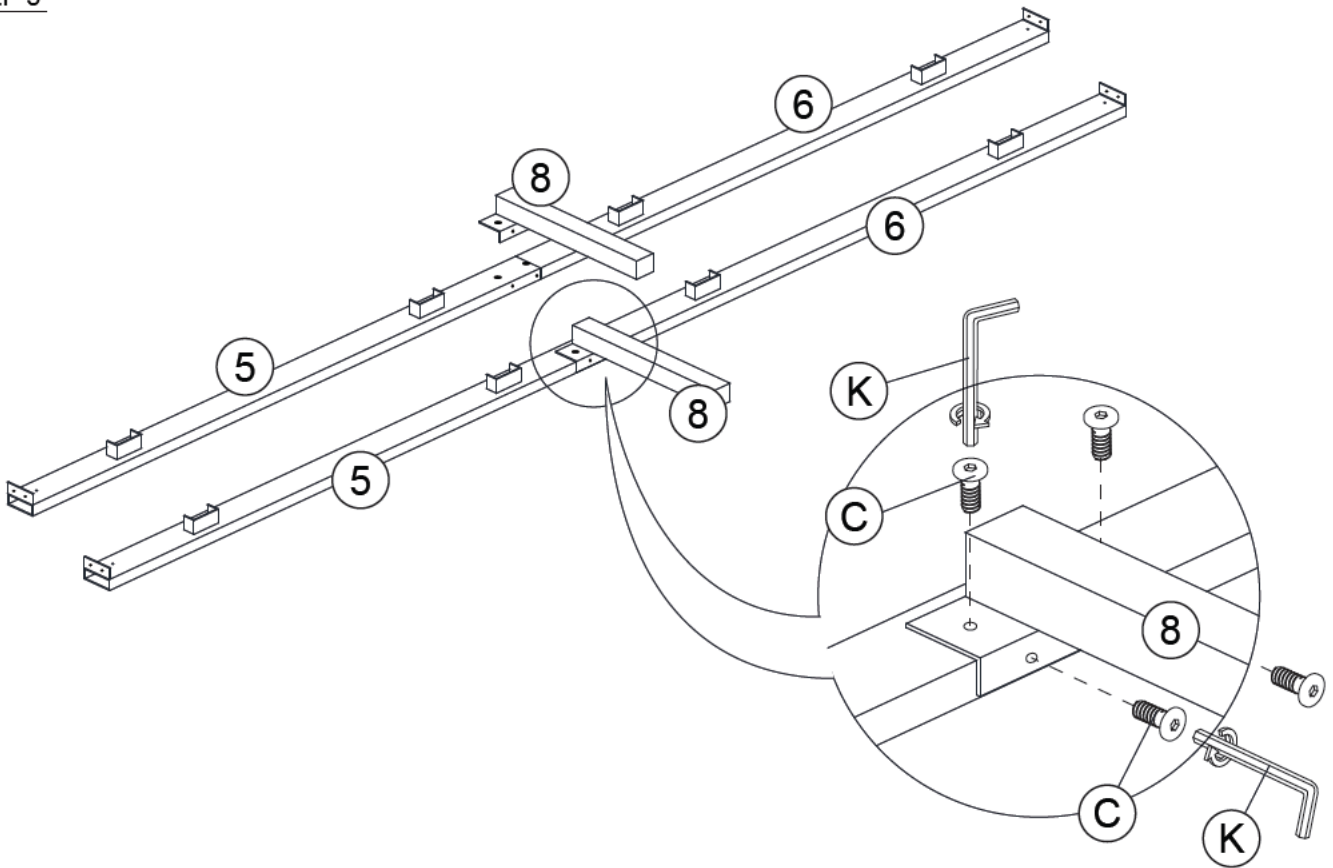


STEP 4

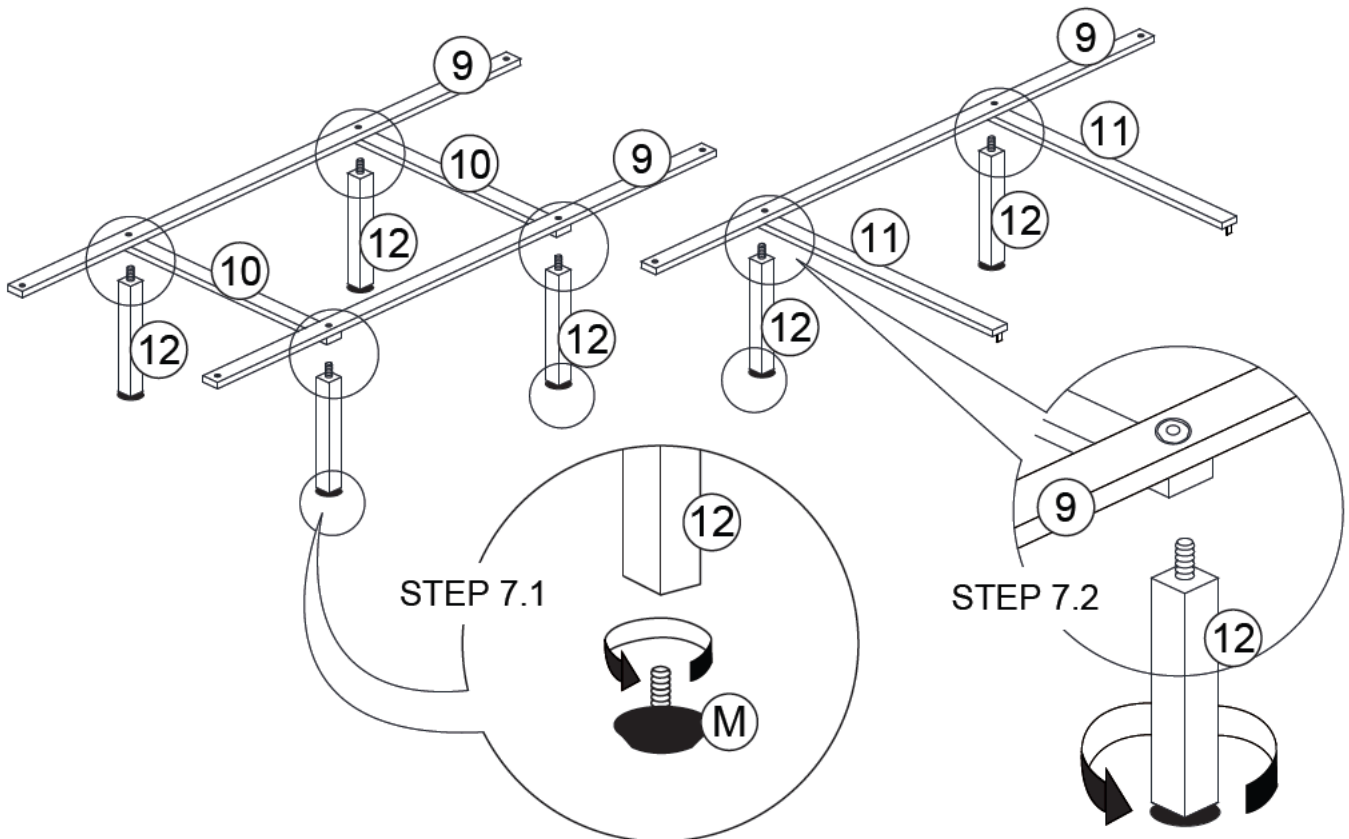


ASSEMBLY INSTRUCTION

STEP 5

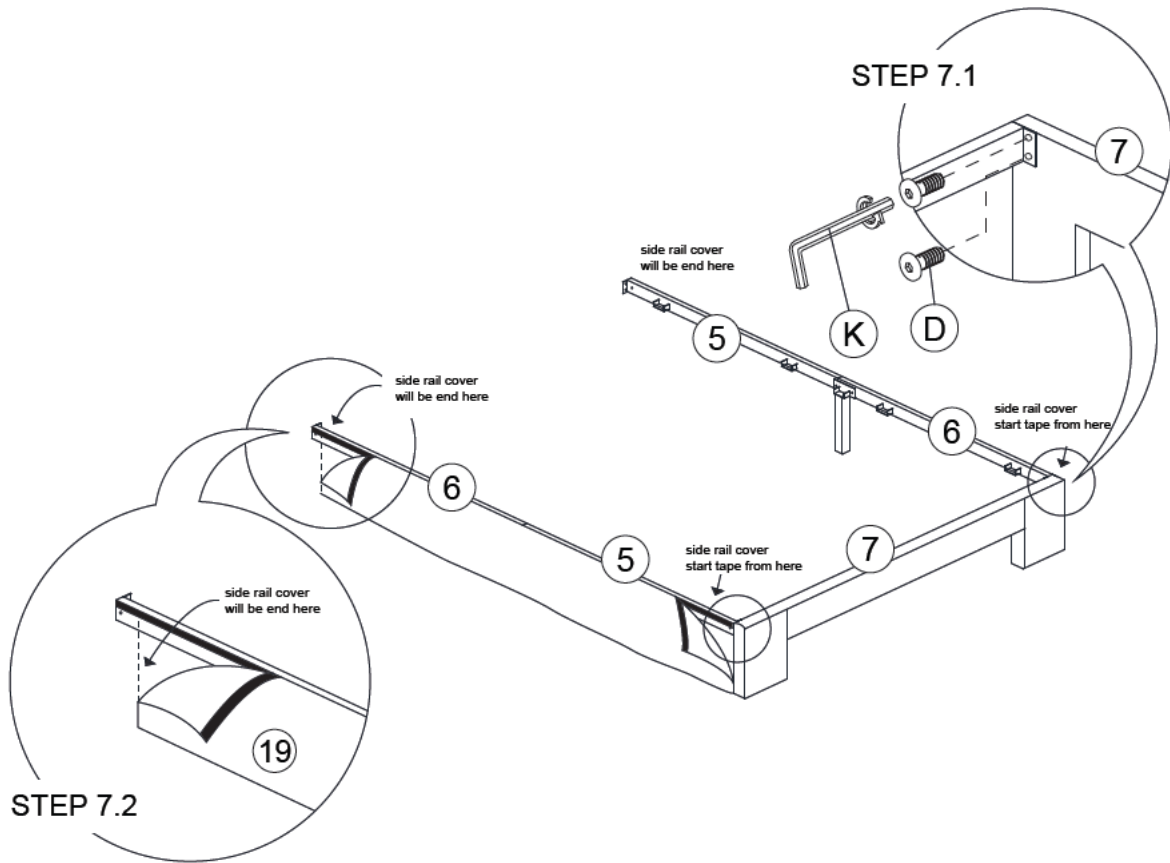


STEP 6

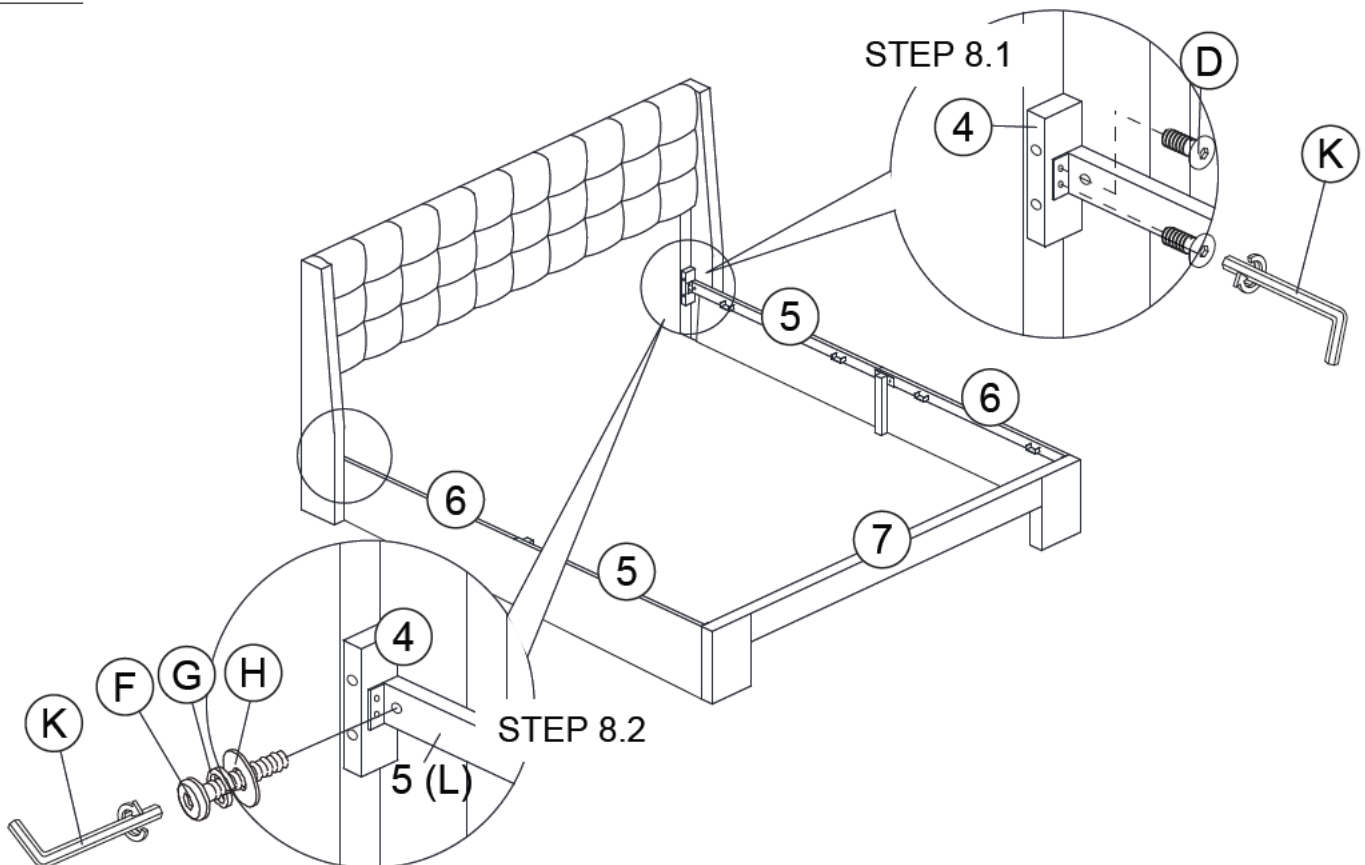


ASSEMBLY INSTRUCTION

STEP 7

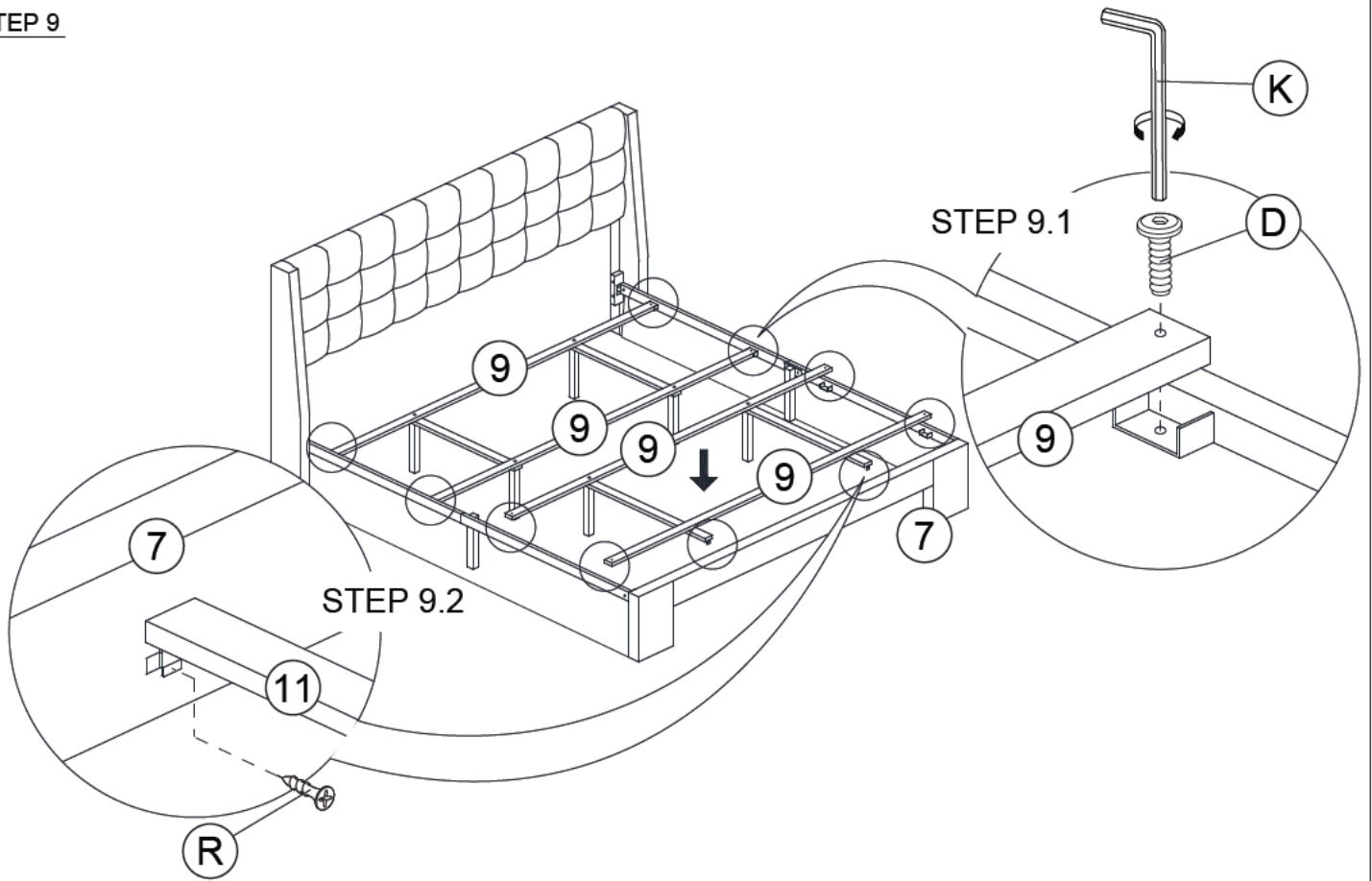


STEP 8

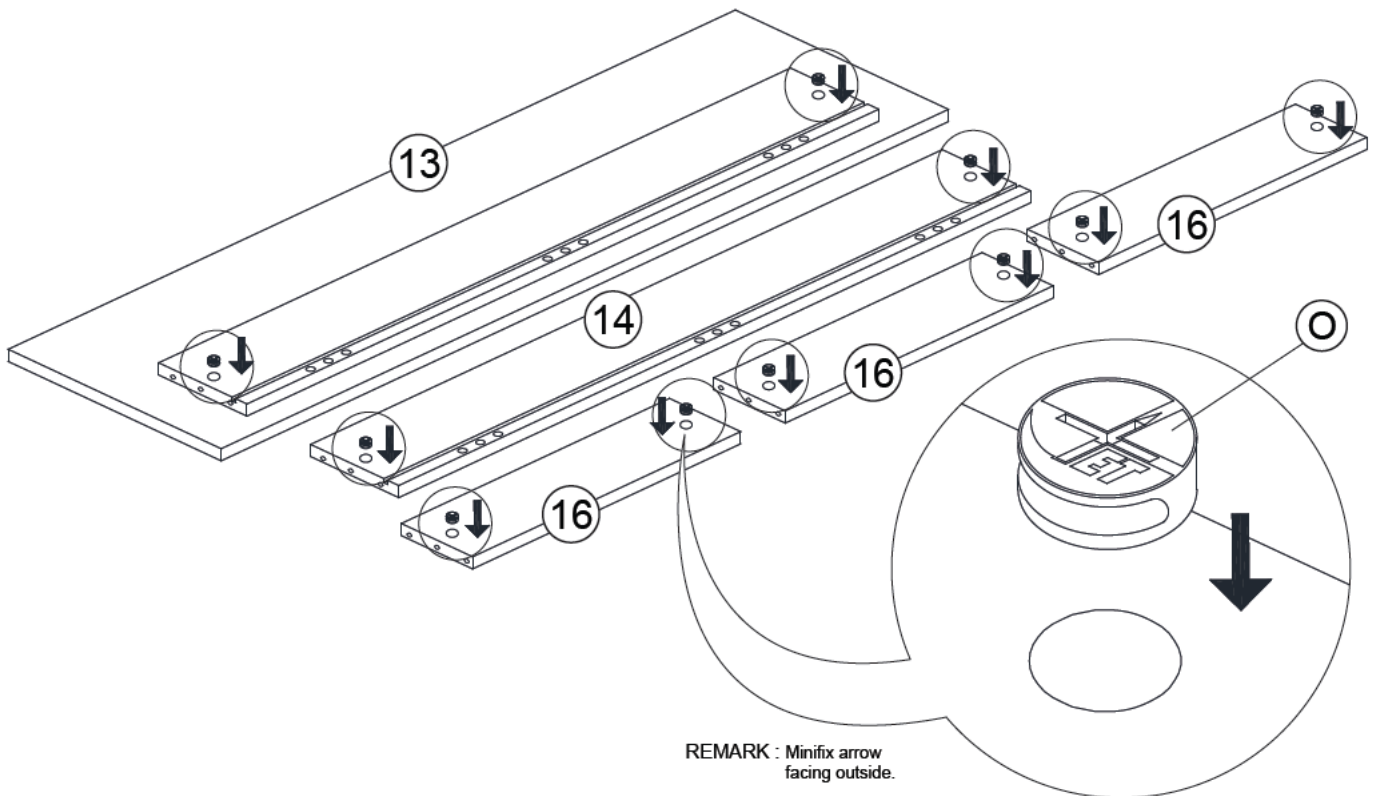


ASSEMBLY INSTRUCTION

STEP 9

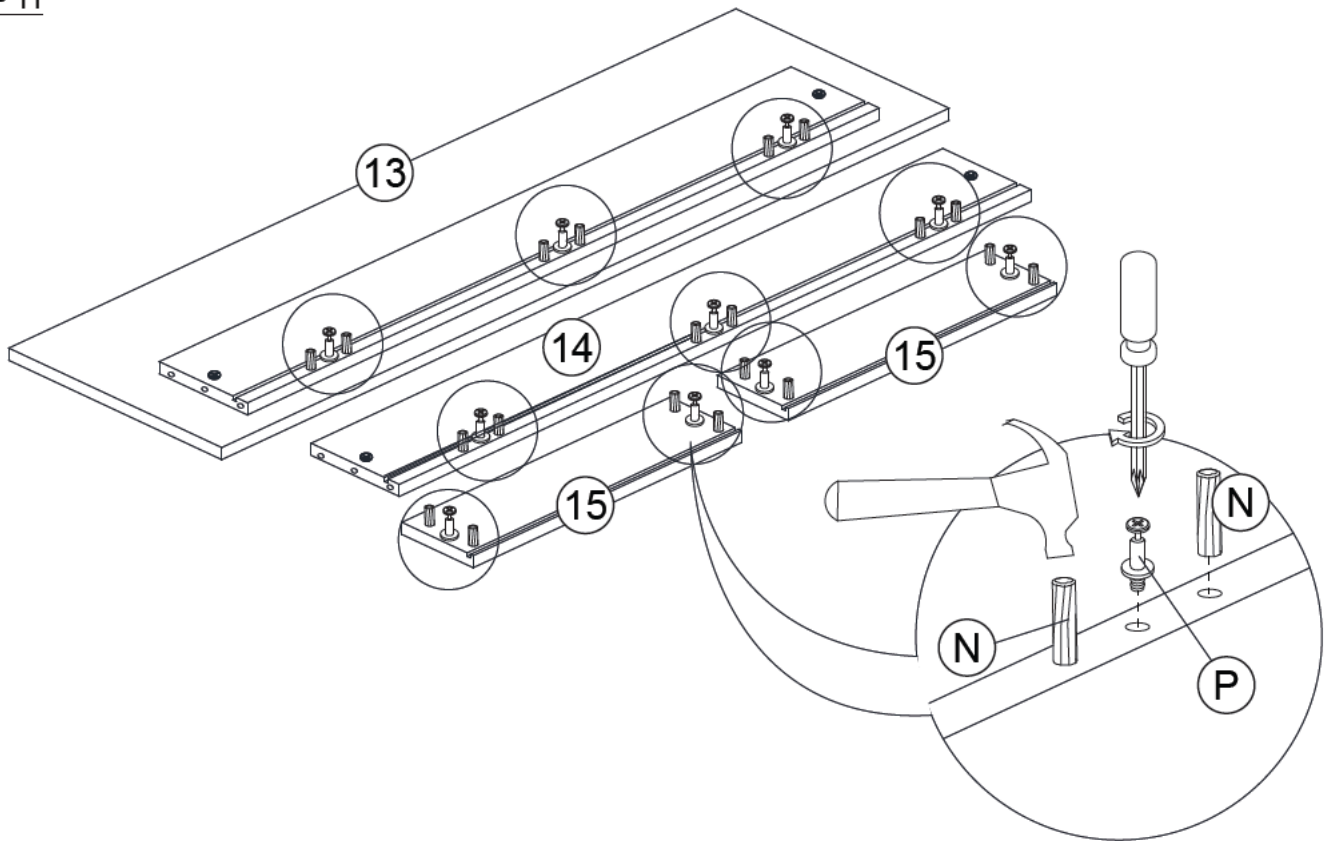


STEP 10

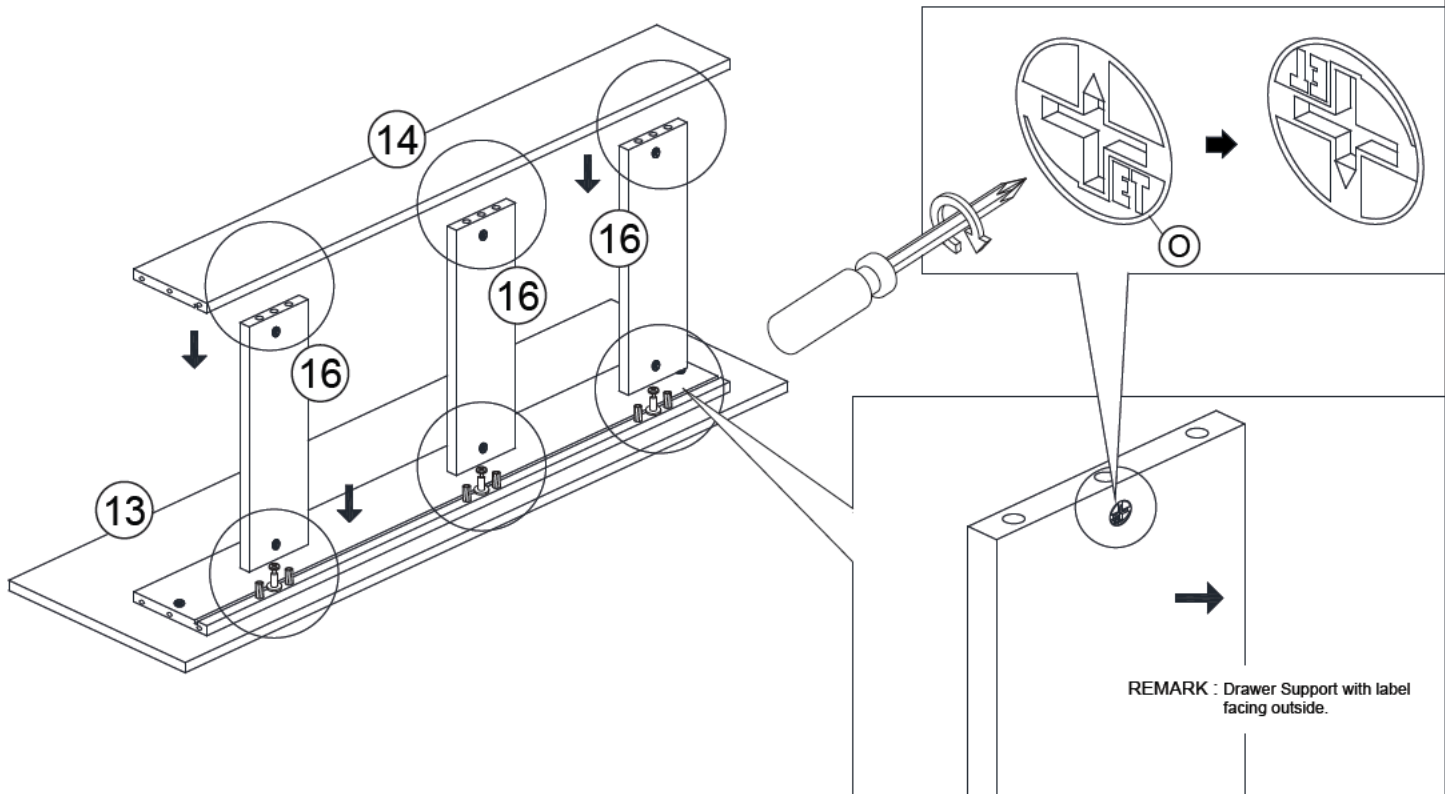


ASSEMBLY INSTRUCTION

STEP 11

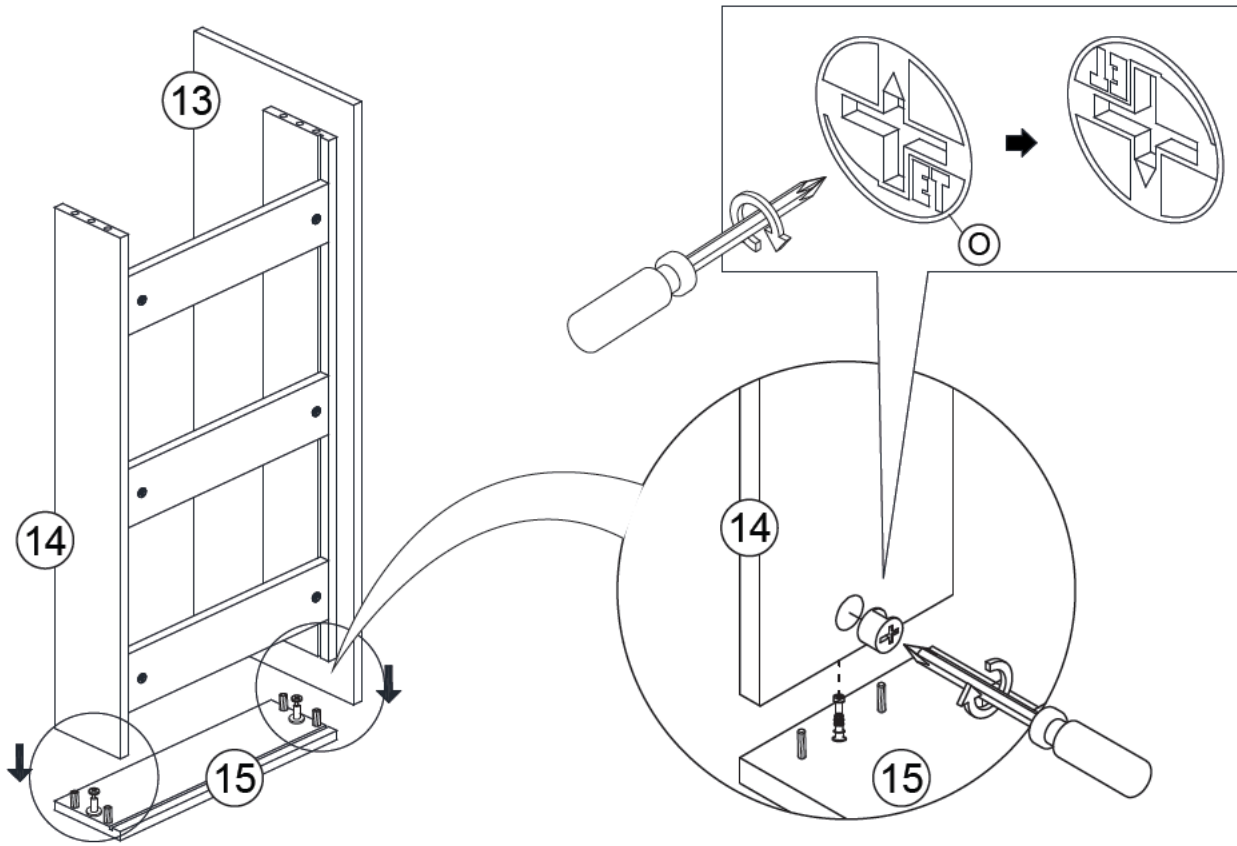


STEP 12

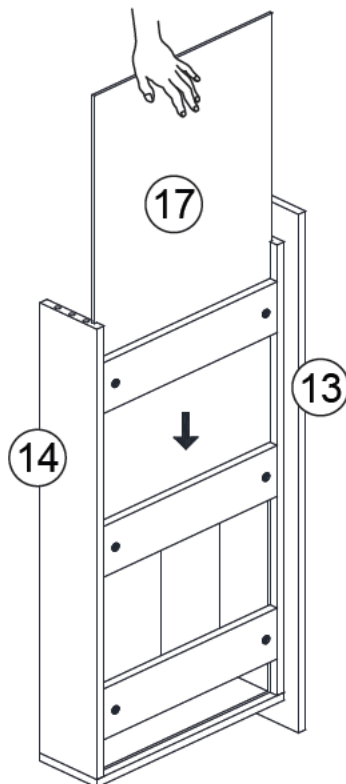


ASSEMBLY INSTRUCTION

STEP 13

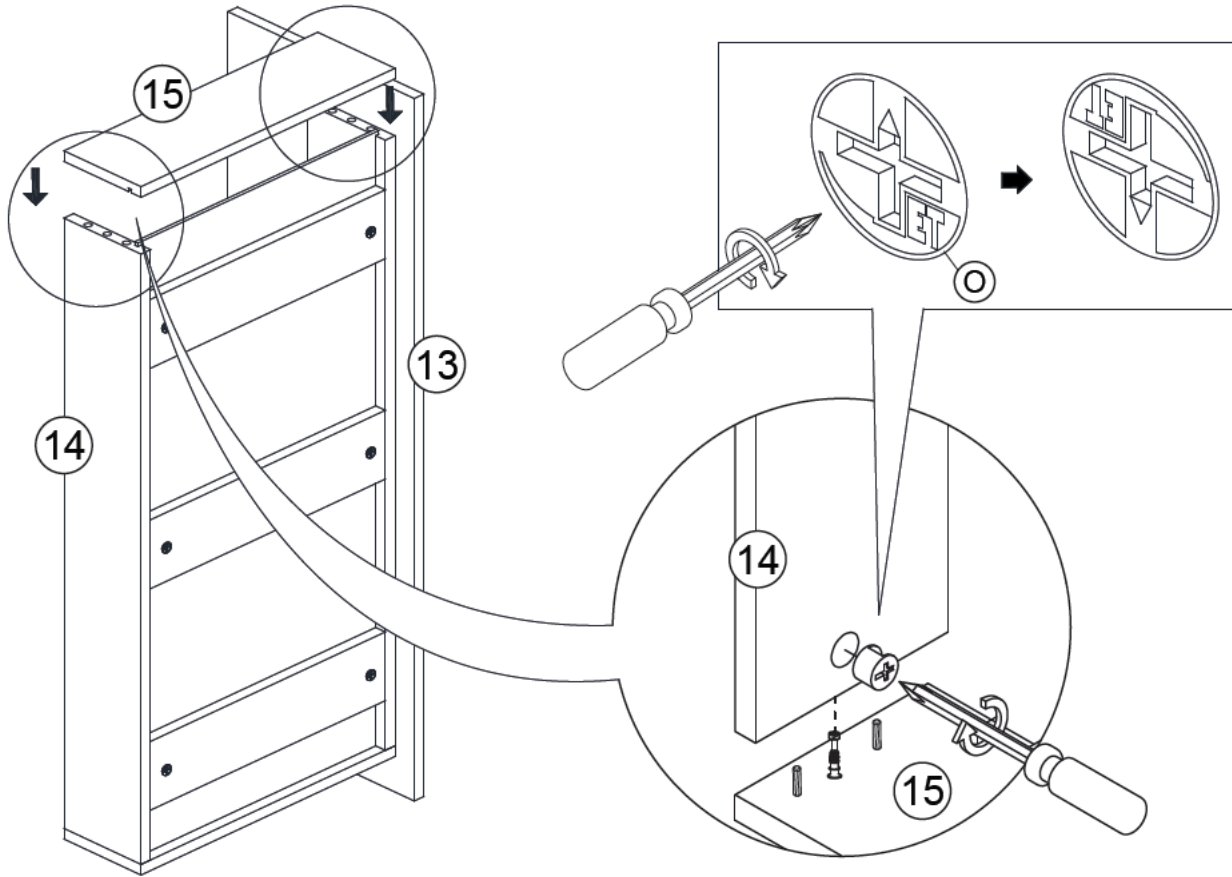


STEP 14

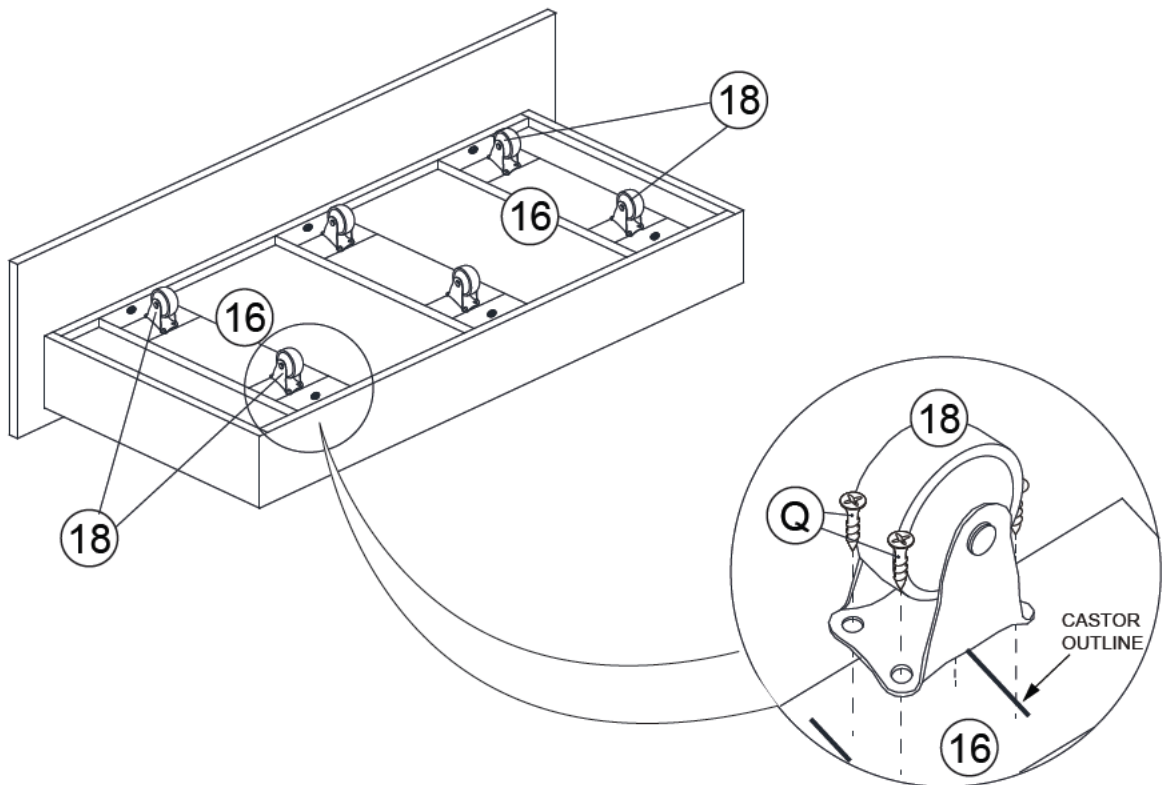


ASSEMBLY INSTRUCTION

STEP 15

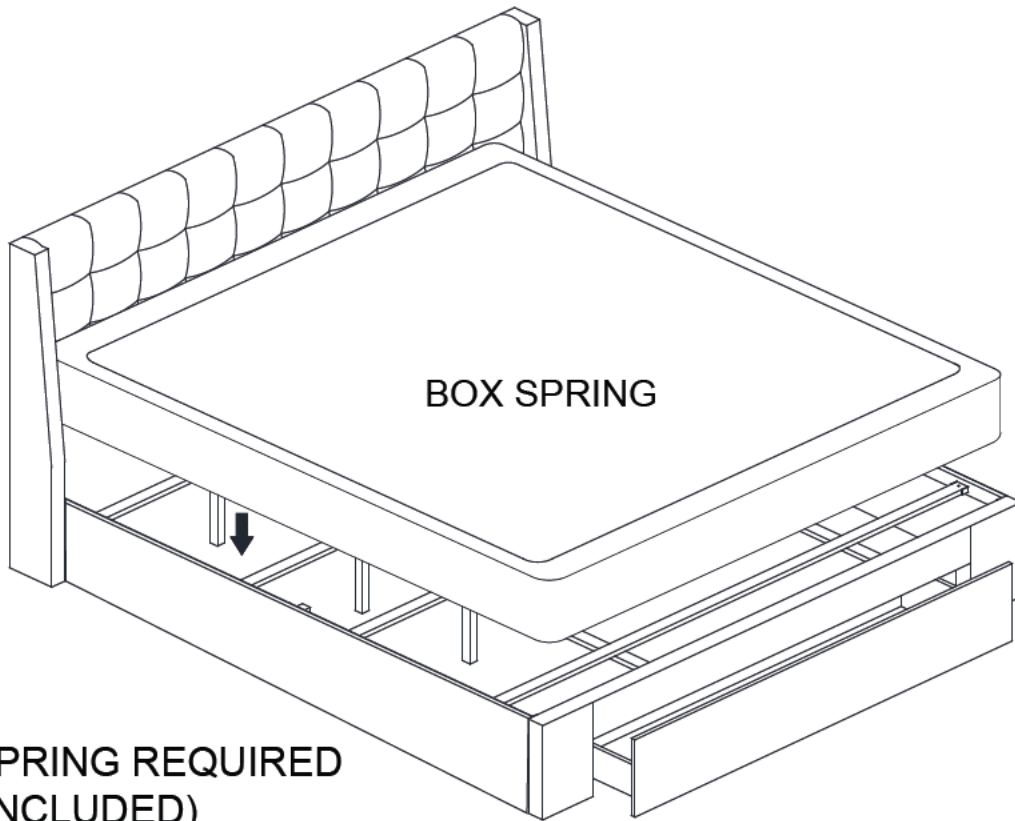


STEP 16



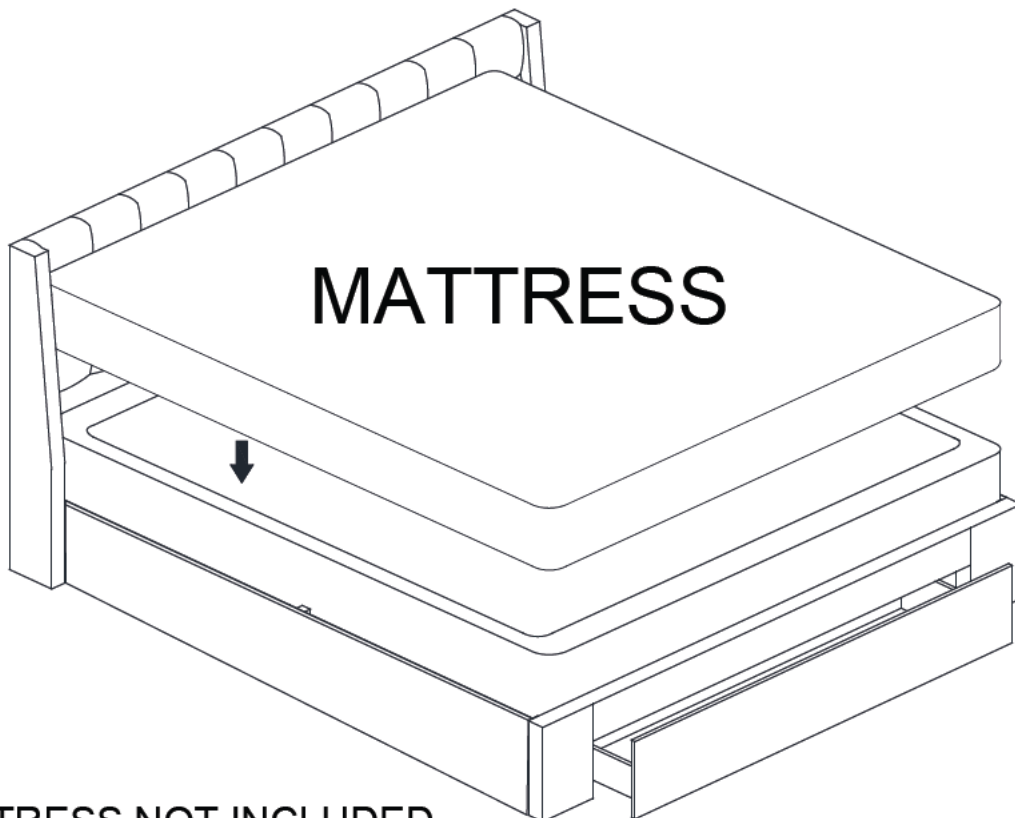
ASSEMBLY INSTRUCTION

STEP 17



**BOX SPRING REQUIRED
(NOT INCLUDED)**

STEP 18



MATTRESS NOT INCLUDED

ASSEMBLY COMPLETED