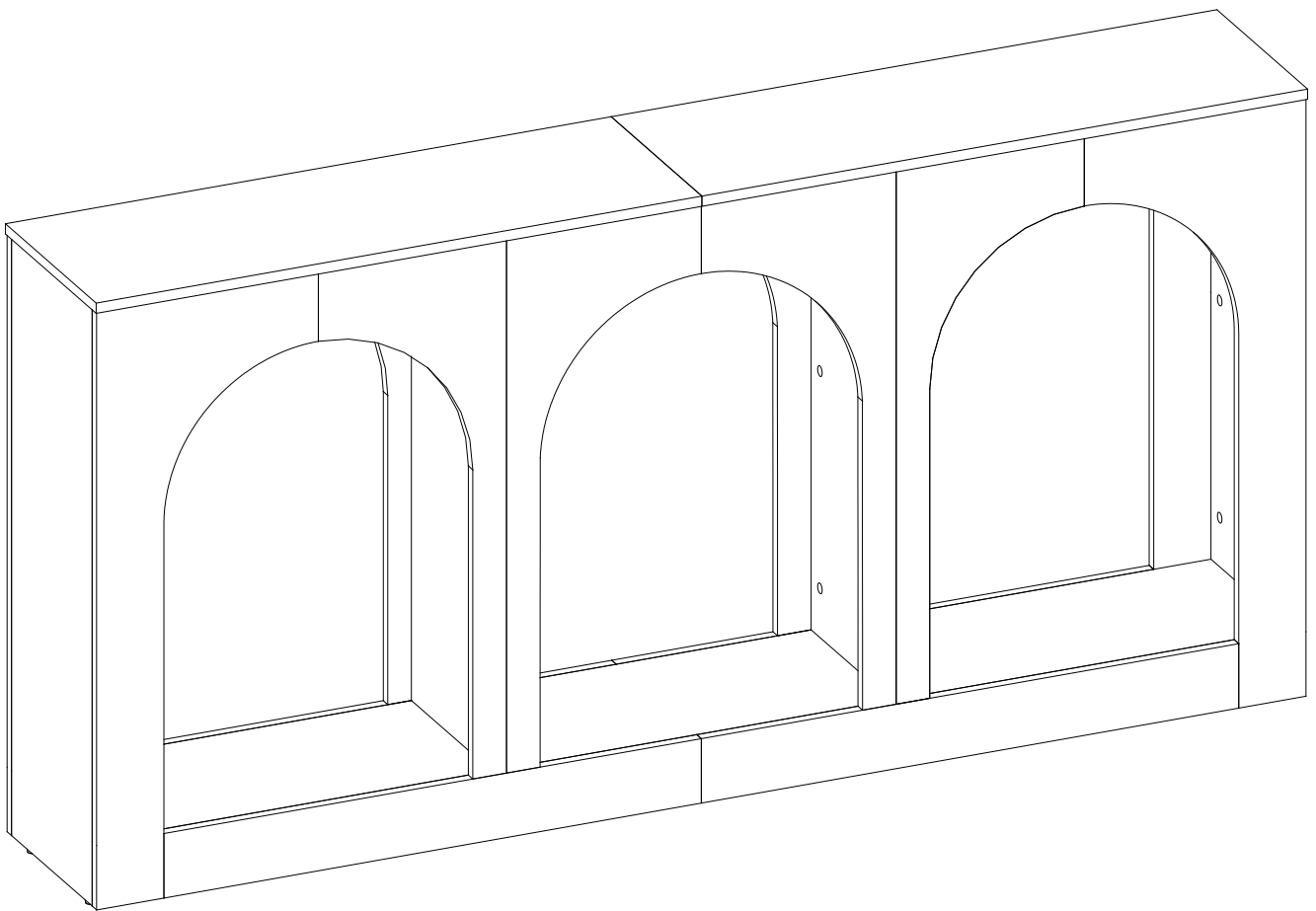


Tribesigns

DESIGNED FOR LIFE

Assembly Instructions



Console Table

Model No.
HOGA-J0357/J0405

 **LITTLE TREE**
Little Tree by Tribesigns

www.tribesigns.com



Contact Us

We're here to help you.




Your satisfaction is our top priority. If you encounter any issues with this product, such as missing or damaged parts, we're here to help. Please retain the original packaging and take photos of the packaging and the product, then contact us as soon as possible.

Warm Tips

1. Carefully read these instructions and keep them for future reference.
2. Check the parts list and confirm everything's there before starting assembly.
3. When assembling, put all parts on a soft, smooth surface like a carpet to avoid scratches.
4. Don't fully tighten screws until all parts are confirmed in place to avoid misalignment.

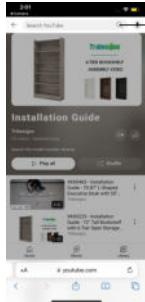
How to Get the Assembly Video

Step 1 Scan the QR code.



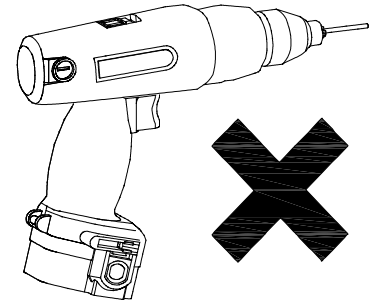
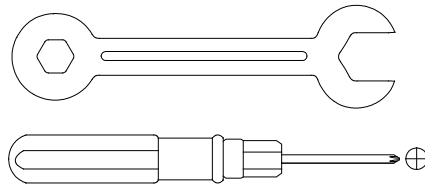
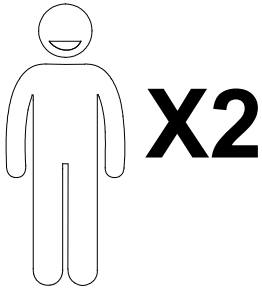
Installation Video

Step 2 Search with the Model No. (on the bottom left corner of the title page)



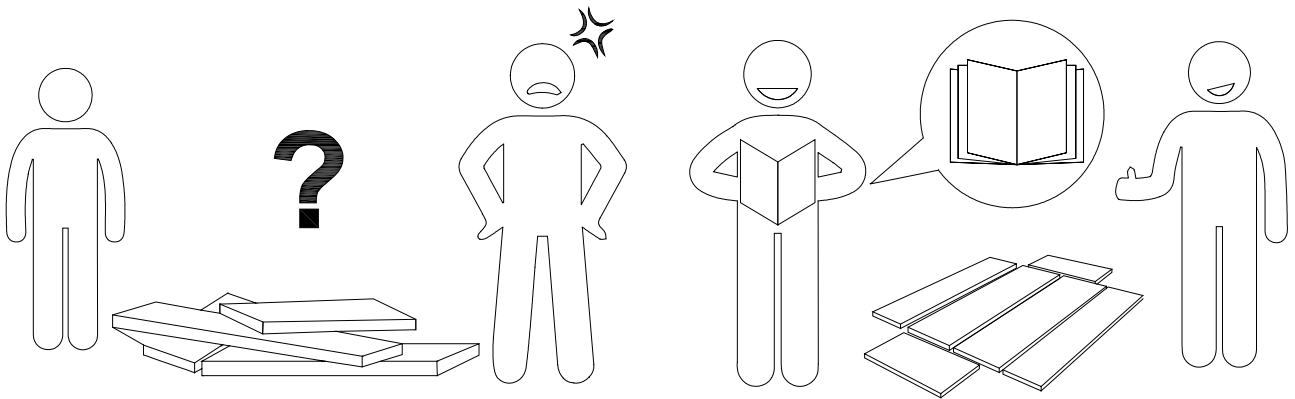
HOGA-J0357

Note: If you can't find the assembly video, please contact us.



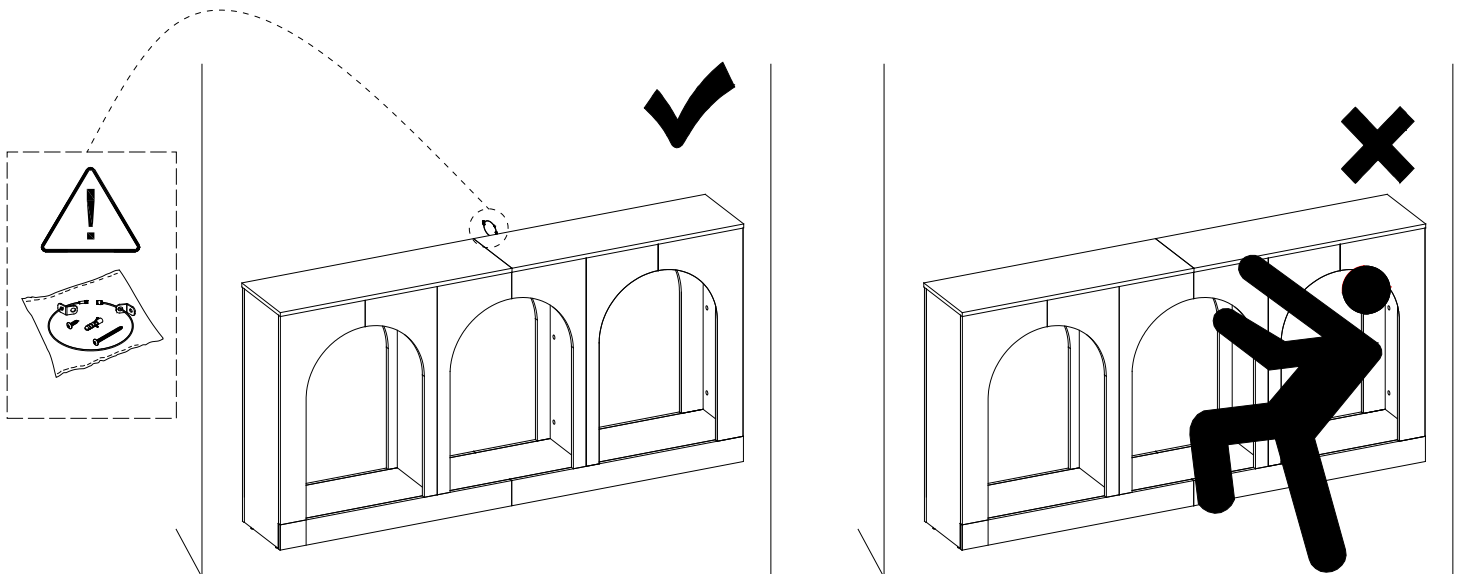
We recommend using hand tools for assembly.

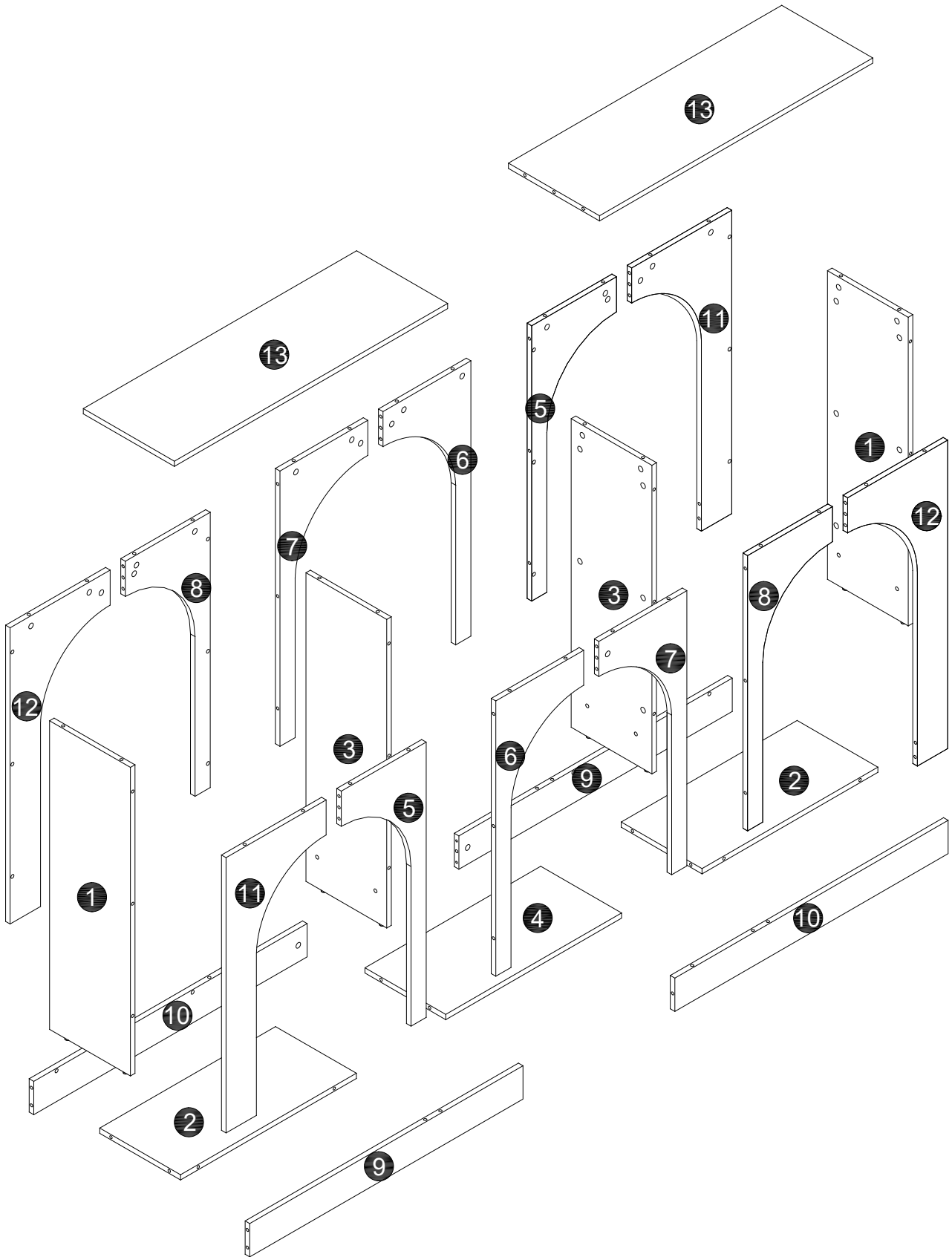
If an electric screwdriver is used, reduce power and torque to avoid damage to the product.



Install the Anti-Tip Straps

Using the anti-tip straps can reduce the risk of tipping over, but can not eliminate it.

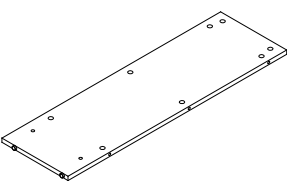
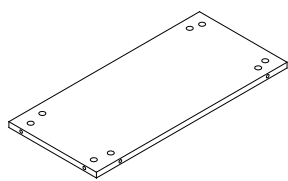
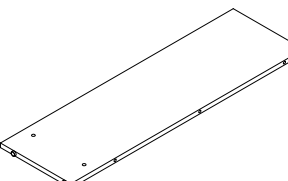
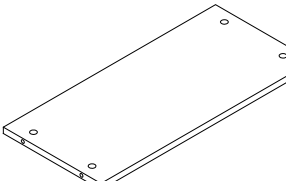
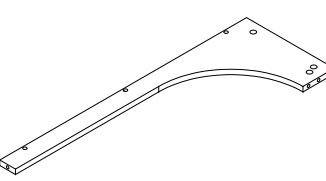
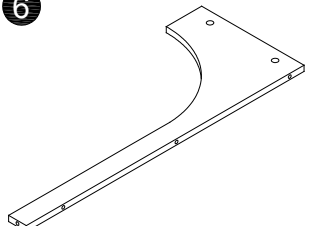
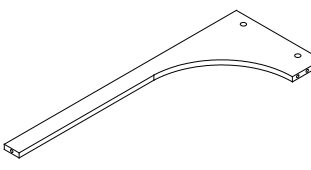
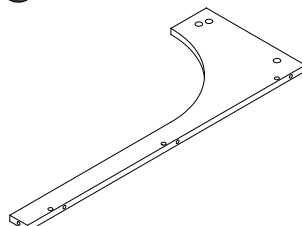
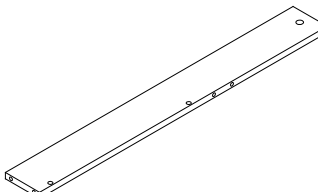
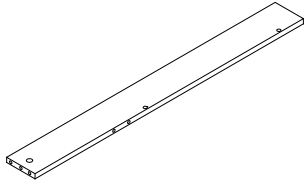
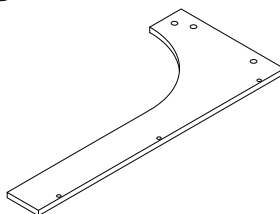
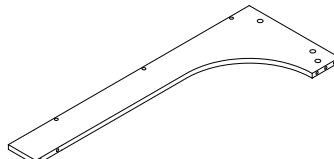
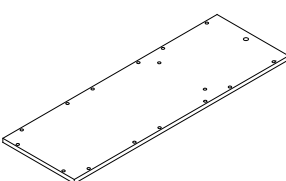




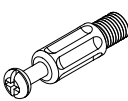
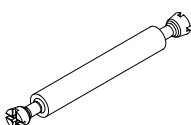

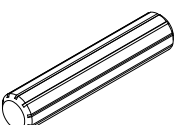
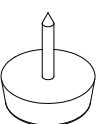
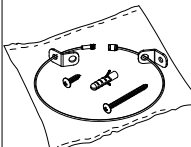
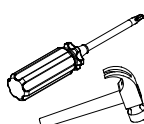
⚠ Caution

Make sure all parts are included. Most board parts are labeled or stamped on the raw edge. Contact us for a free replacement if you encounter any damaged or missing parts.

Parts List

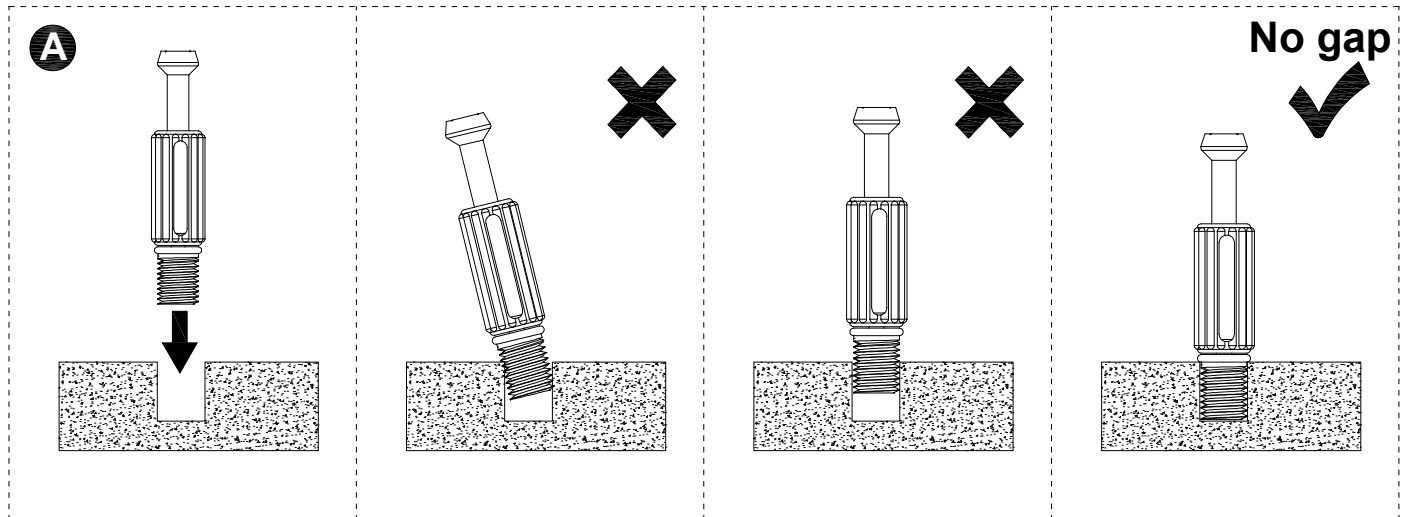
 <p>2 pcs</p>	 <p>2 pcs</p>	 <p>2 pcs</p>	 <p>1 pc</p>
 <p>2 pcs</p>	 <p>2 pcs</p>	 <p>2 pcs</p>	 <p>2 pcs</p>
 <p>2 pcs</p>	 <p>2 pcs</p>	 <p>2 pcs</p>	 <p>2 pcs</p>
 <p>2 pcs</p>			

Hardware List

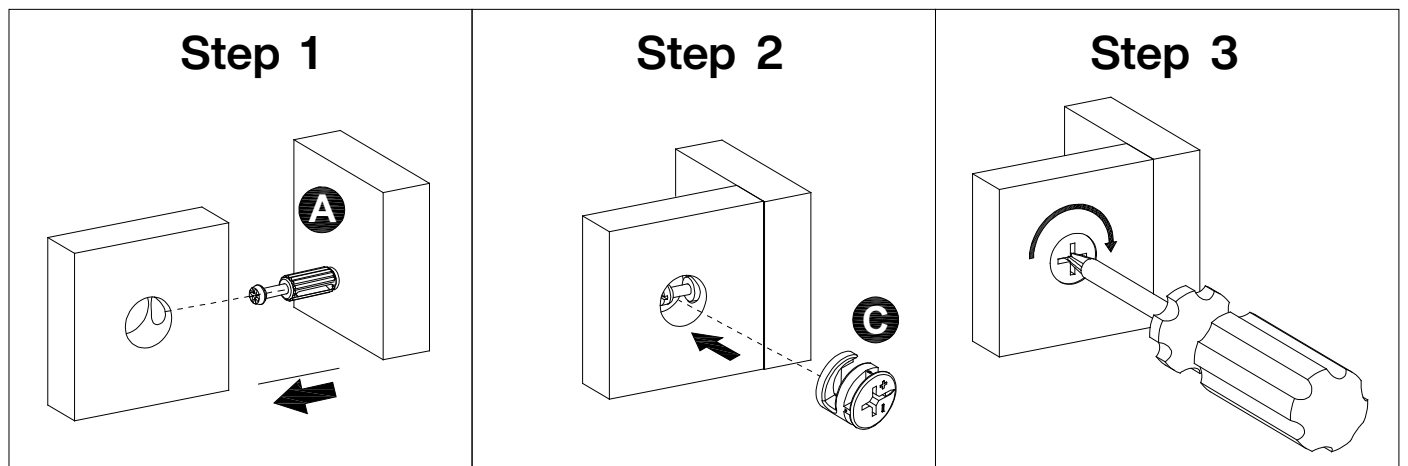
A	B	C	D	E	F	G
 <p>M6x35mm</p>	 <p>M6x64mm</p>	 <p>Ø15x12mm</p>	 <p>Ø8x40mm</p>	 <p>8 pcs</p>	 <p>1 pc</p>	 <p>1 set</p>
76 pcs	9 pcs	94 pcs	46 pcs	8 pcs	1 pc	1 set

Installation of Cams and Pins

Read each step carefully before starting. Each step of instruction should be performed in the correct order. If these steps are not followed in sequence, assembly difficulties may occur.

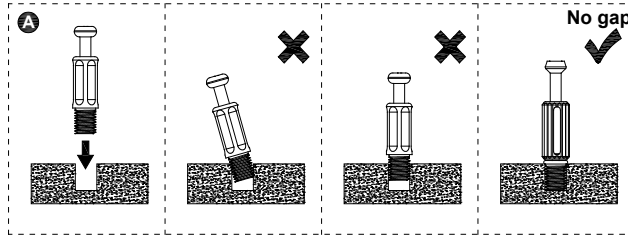


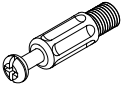
Screw the pin into the hole. Set the cams correctly by aligning the head of the cams with the lock pins. Lock the cam by turning the cam head with a screwdriver until it is tightened. Please do not use an electric screwdriver to assemble the unit.

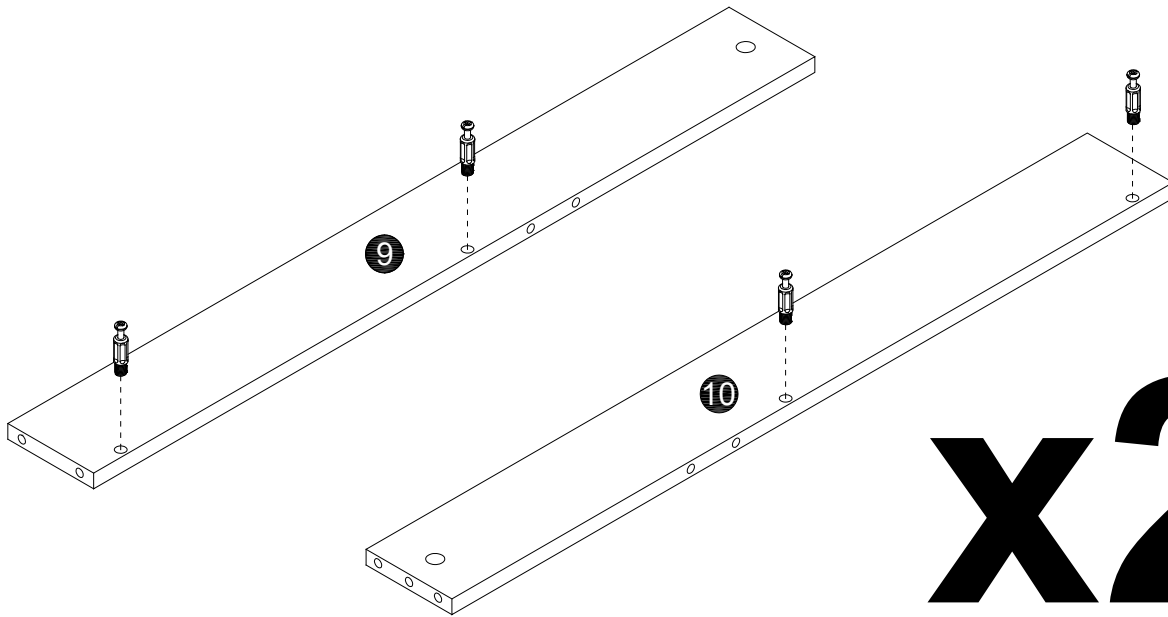




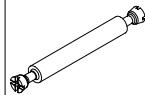
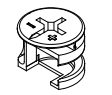
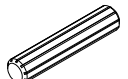
1

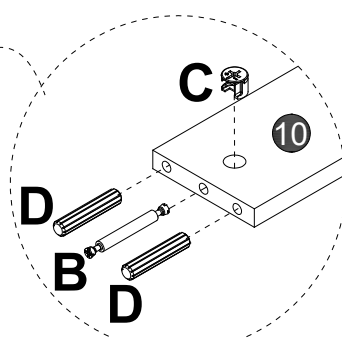
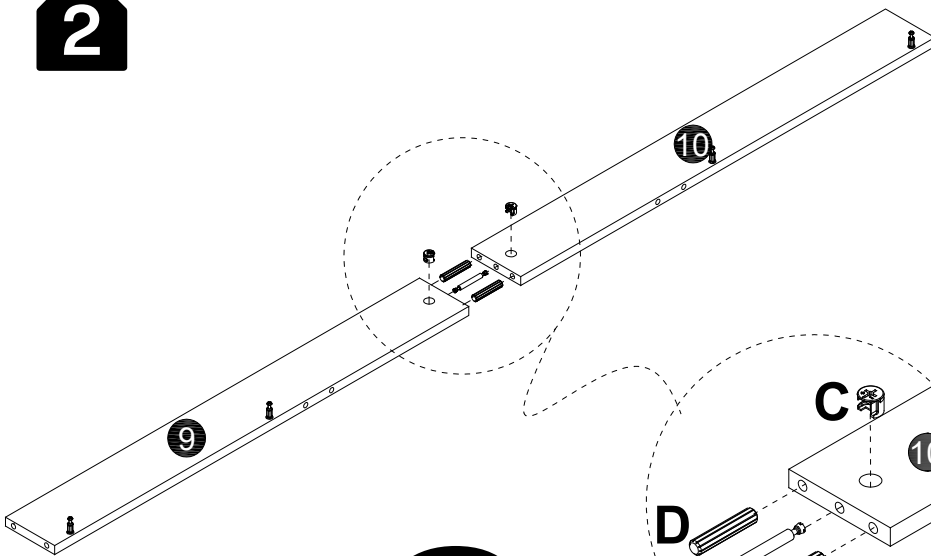


A

M6x35mm
8 pcs

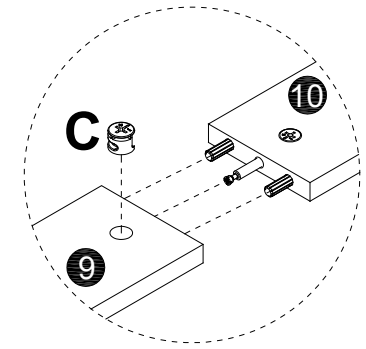


2

B	C	D
		
M6x64mm	Ø15x12mm	Ø8x40mm
2 pcs	4 pcs	4 pcs



Step 1



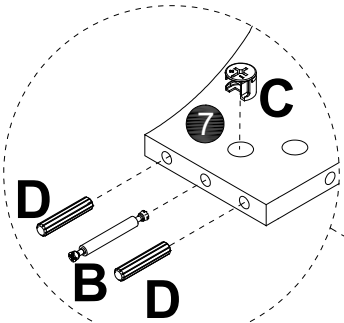
Step 2

1. Align one end of #B#D with the hole in plate#10, then lock #C clockwise.
2. Align the other end of #B#D with the hole in plate#9, then lock #C clockwise.

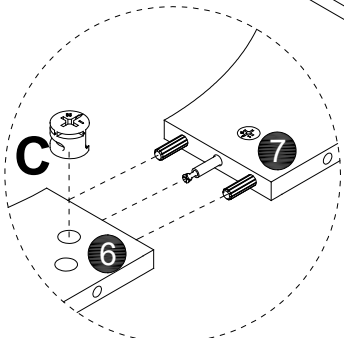


3

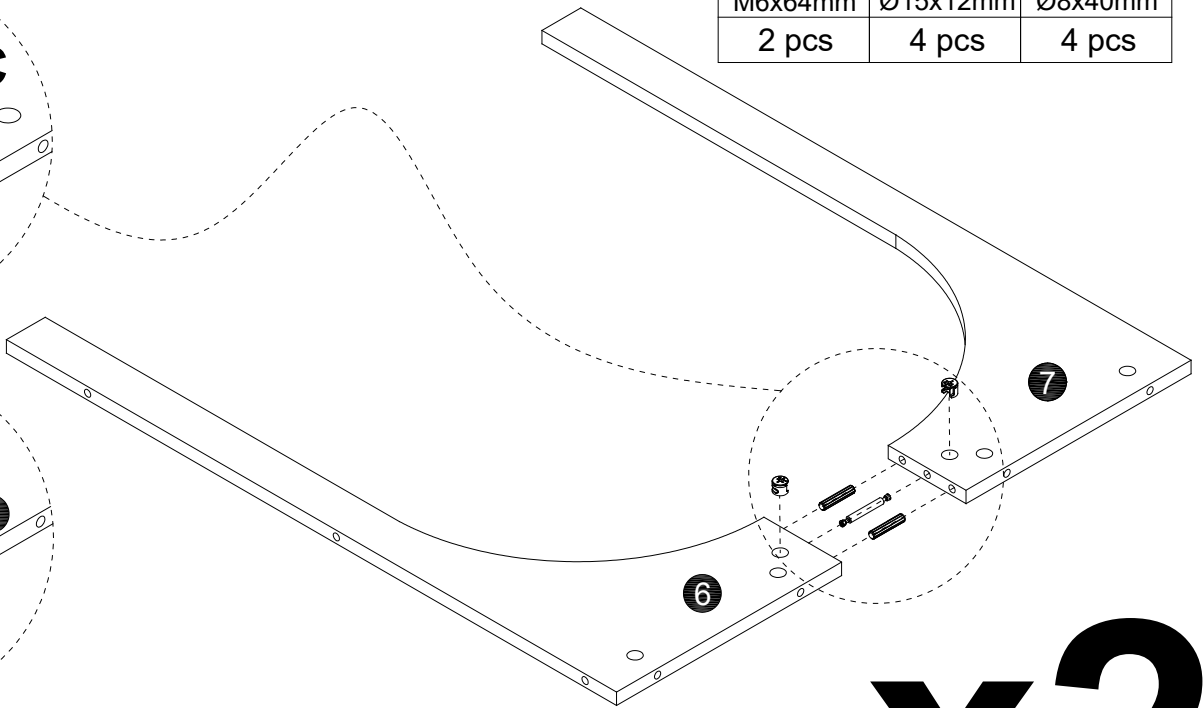
B	C	D
M6x64mm	Ø15x12mm	Ø8x40mm
2 pcs	4 pcs	4 pcs



Step 1



Step 2

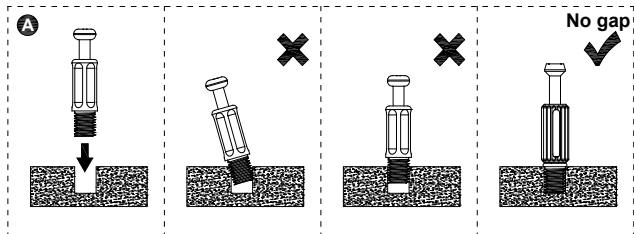
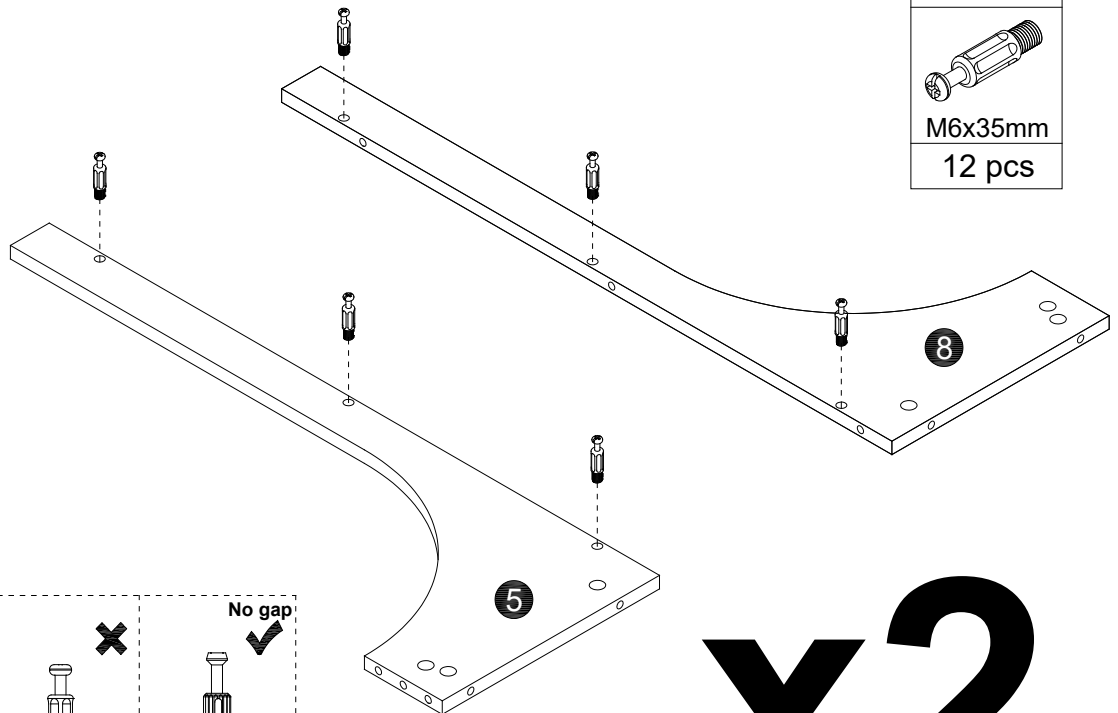


x2

1. Align one end of #B#D with the hole in plate#7, then lock #C clockwise.
2. Align the other end of #B#D with the hole in plate#6, then lock #C clockwise.

4

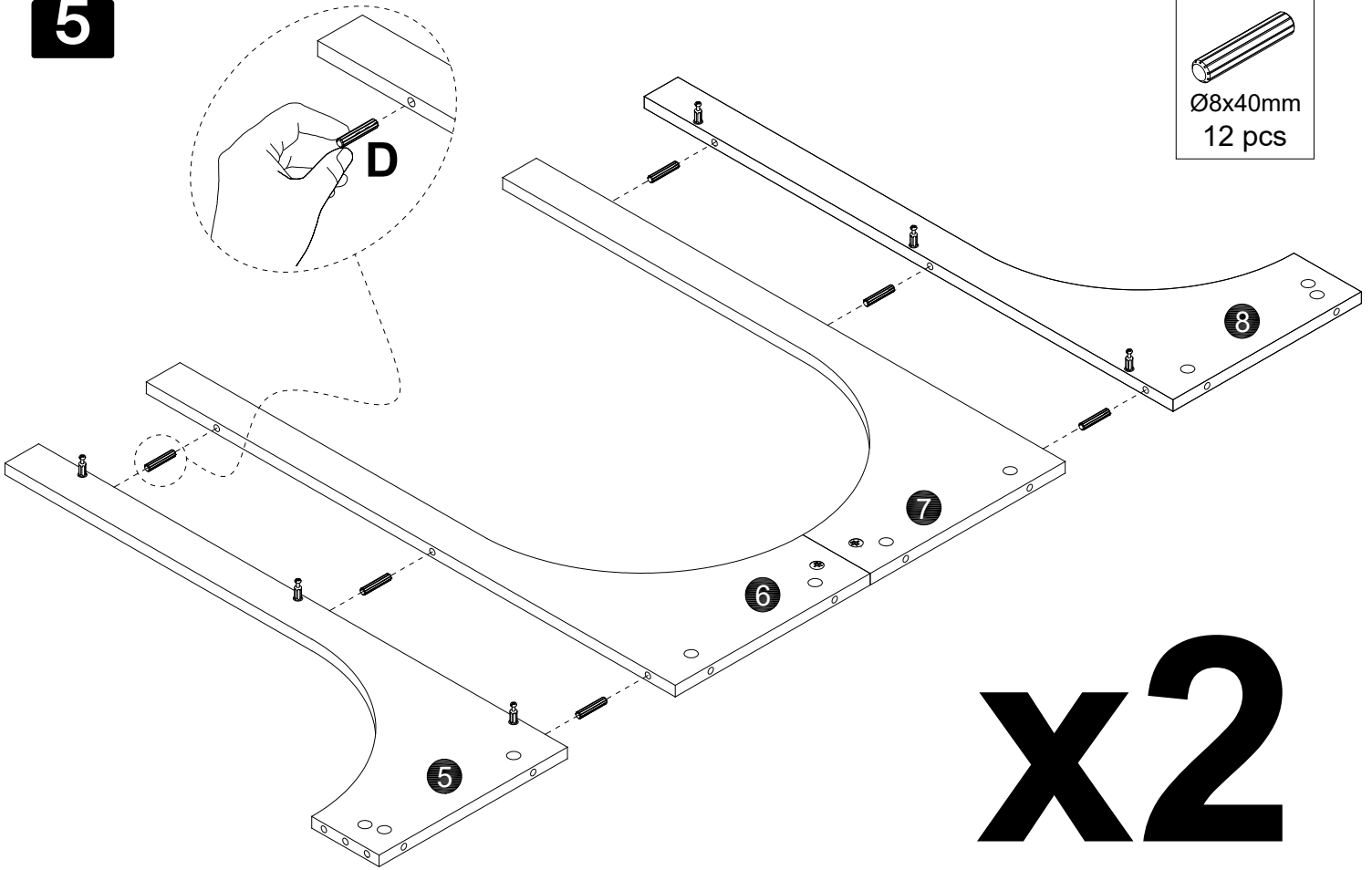
A
M6x35mm
12 pcs



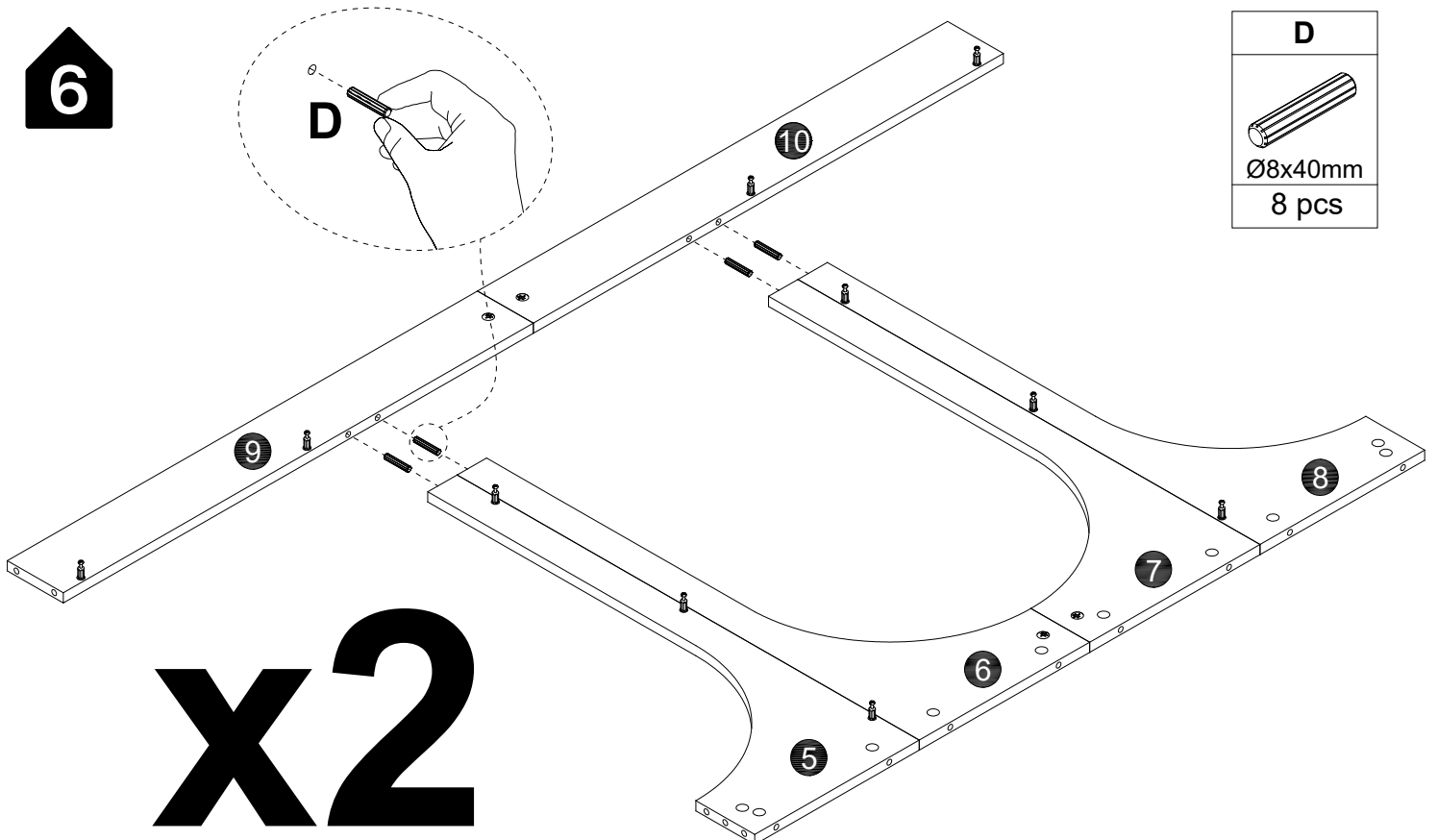
x2



5

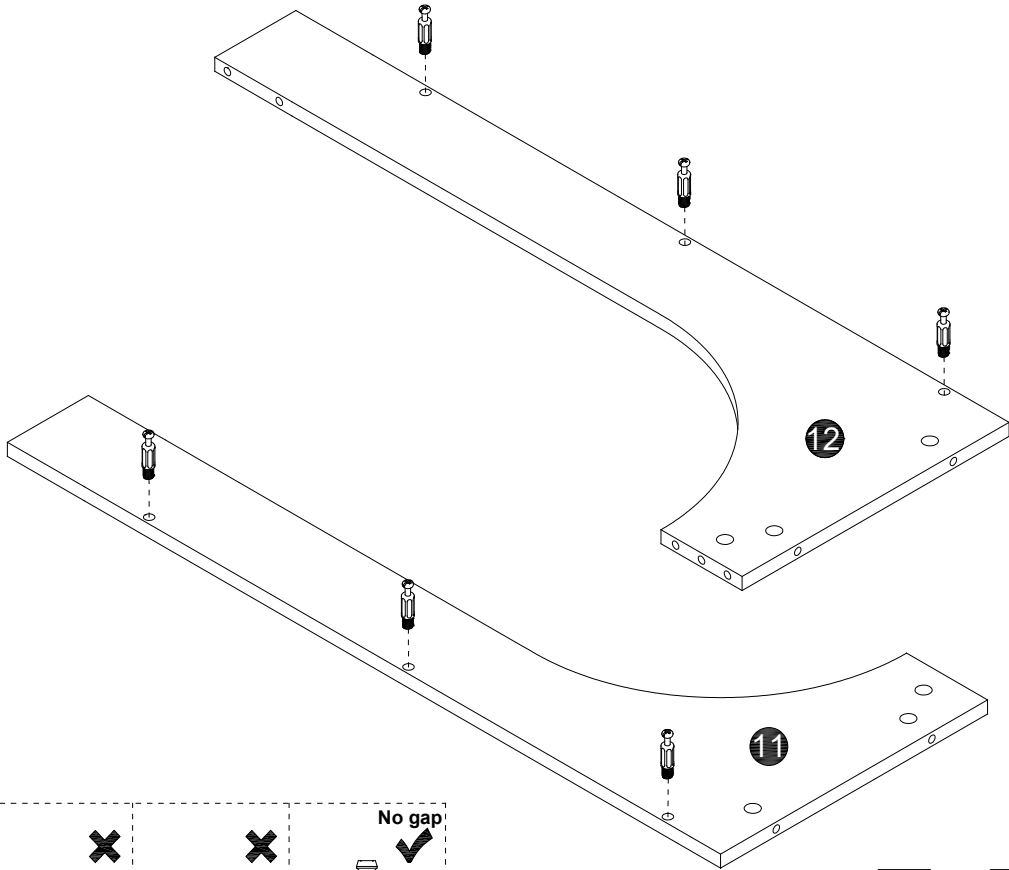


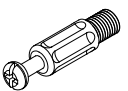
6

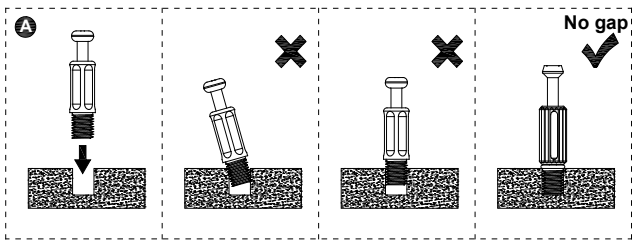




7

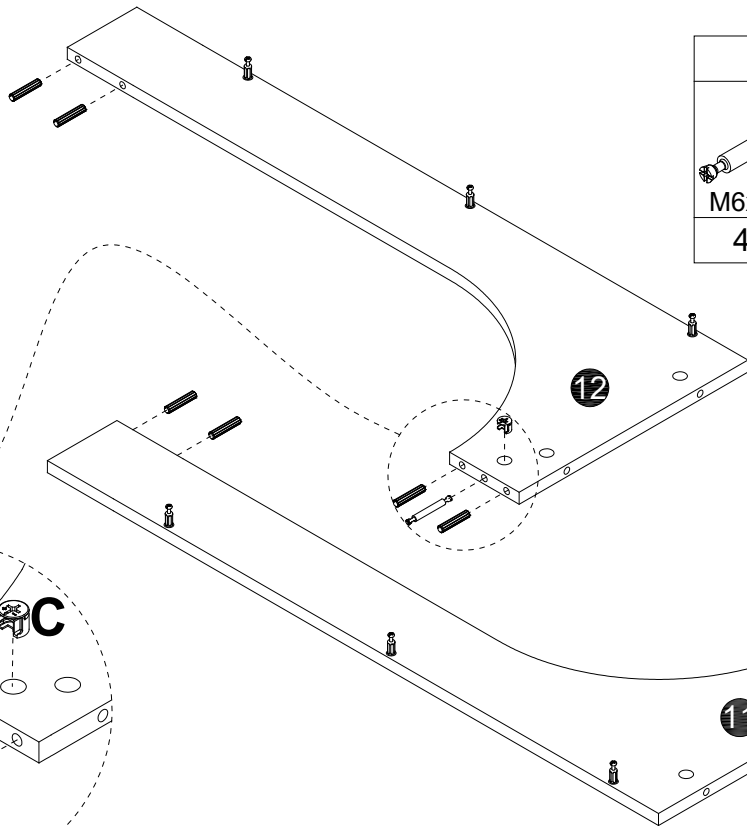


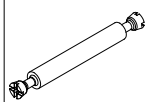
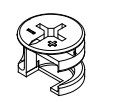
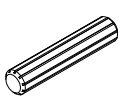
A

M6x35mm
12 pcs



x2

8



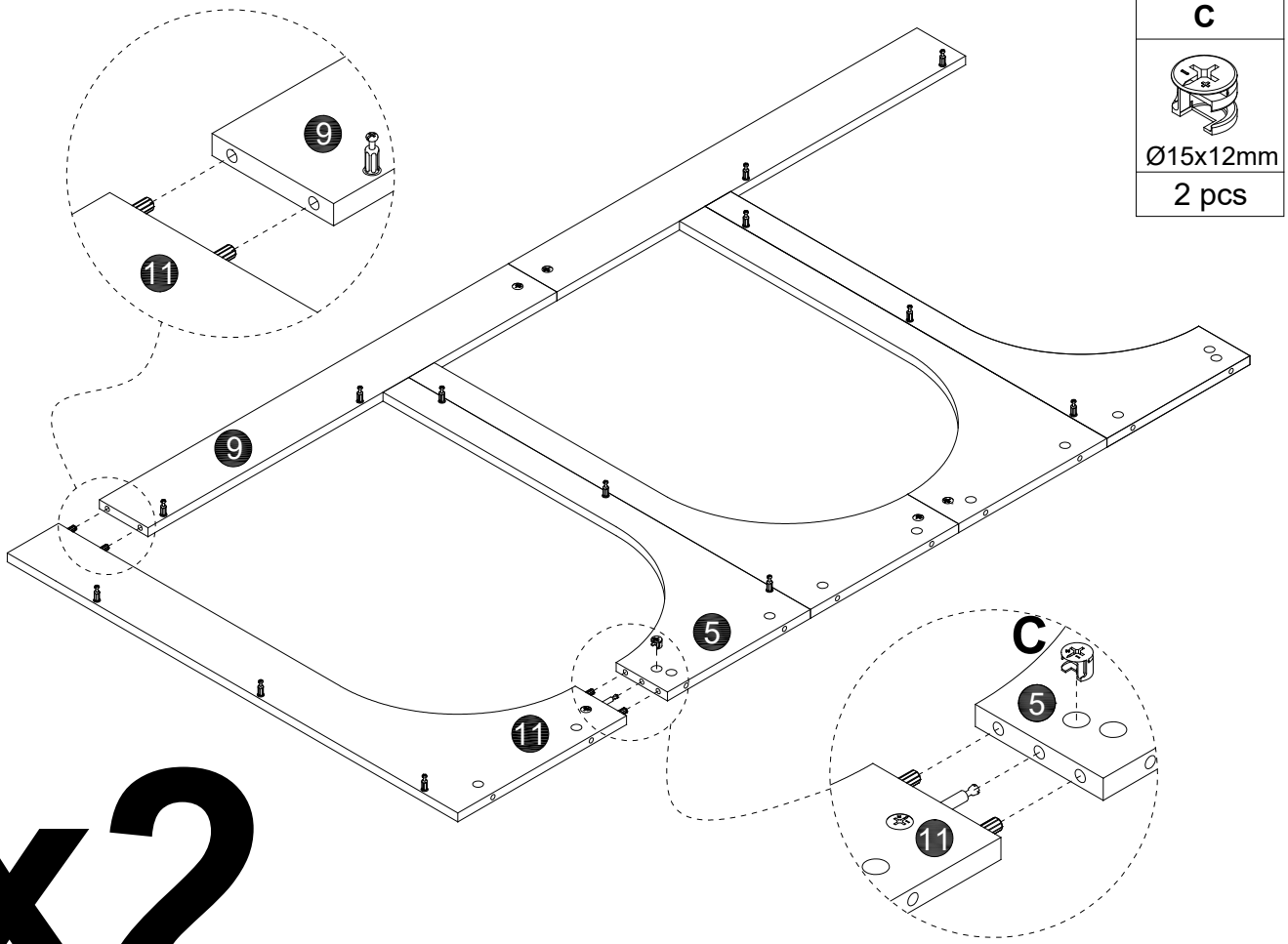
B	C	D
		
M6x64mm	Ø15x12mm	Ø8x40mm
4 pcs	4 pcs	16 pcs

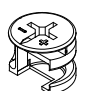
x2

Align one end of #B#D with the hole in plate#11&12, then lock #C clockwise.



9

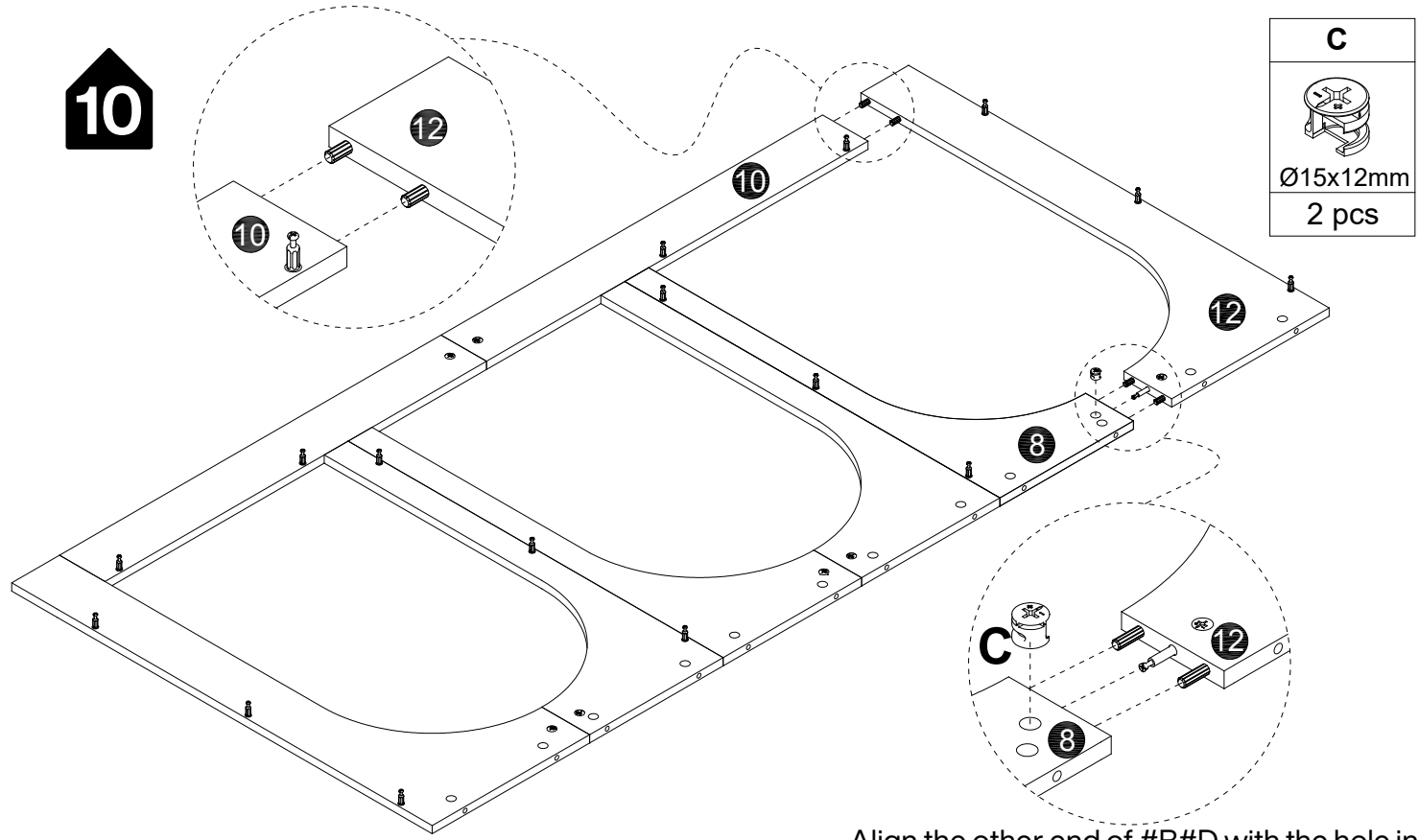


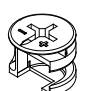
C

Ø15x12mm
2 pcs

x2

Align the other end of #B#D with the hole in plate#5, then lock #C clockwise.

10

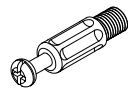



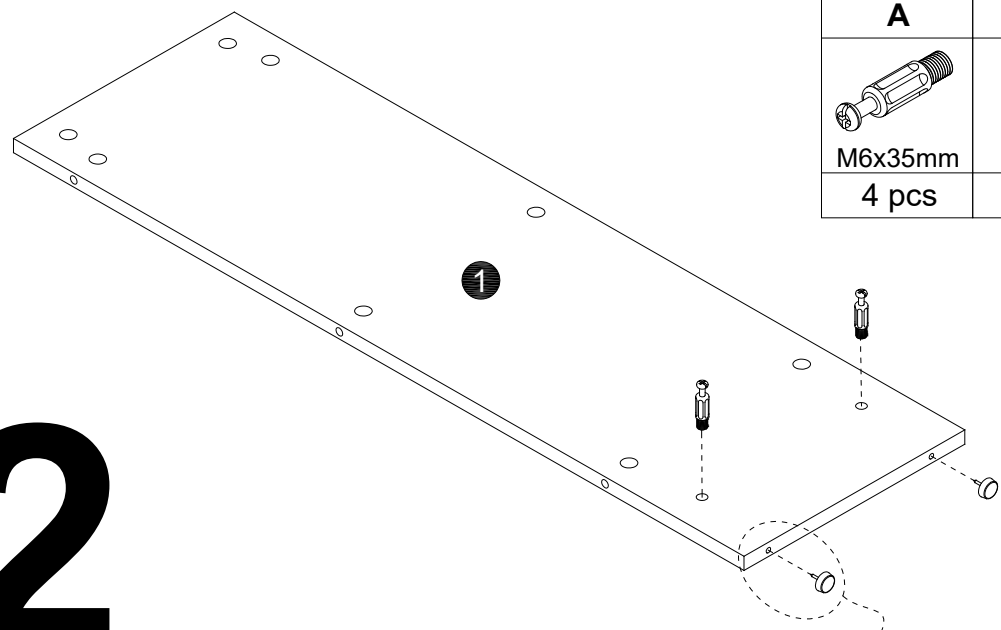
C

Ø15x12mm
2 pcs

Align the other end of #B#D with the hole in plate#8, then lock #C clockwise.

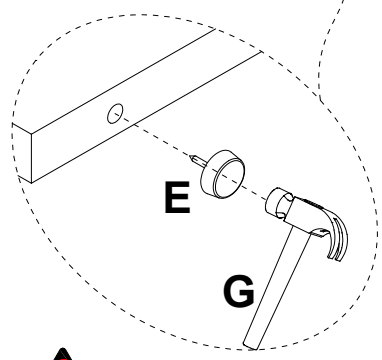
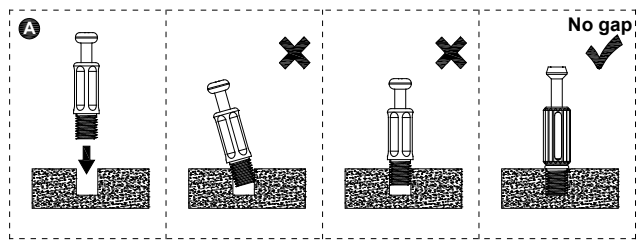



11

A	E
	
M6x35mm	
4 pcs	4 pcs

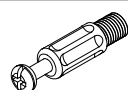



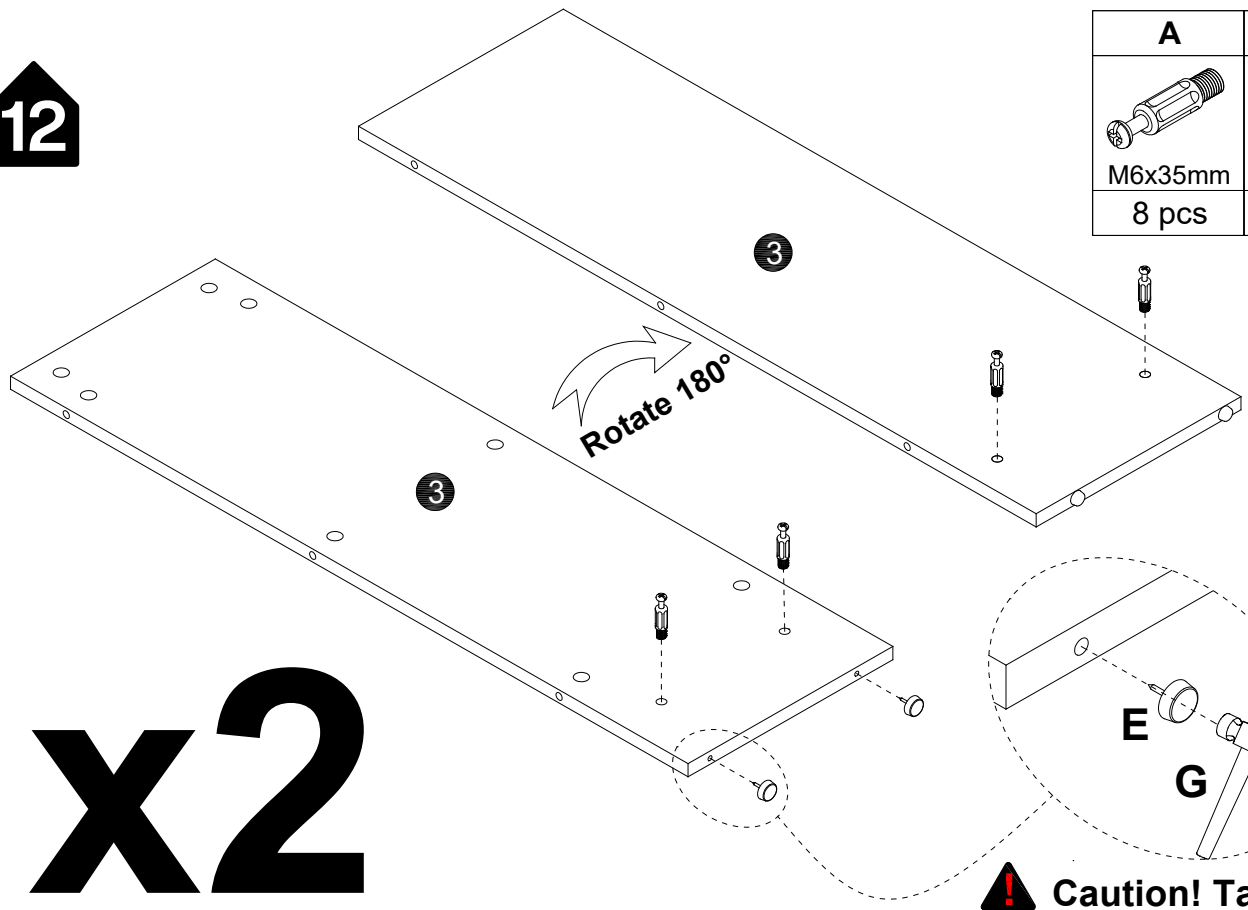
x2



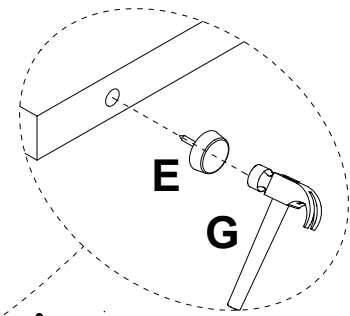
 Caution! Tap lightly


12

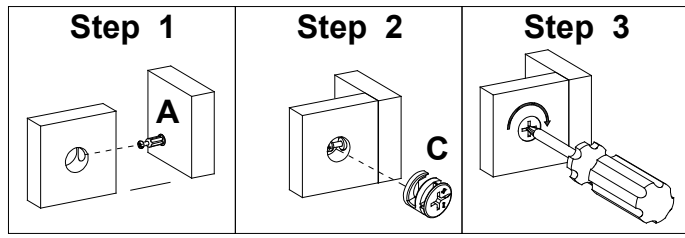
A	E
	
M6x35mm	
8 pcs	4 pcs



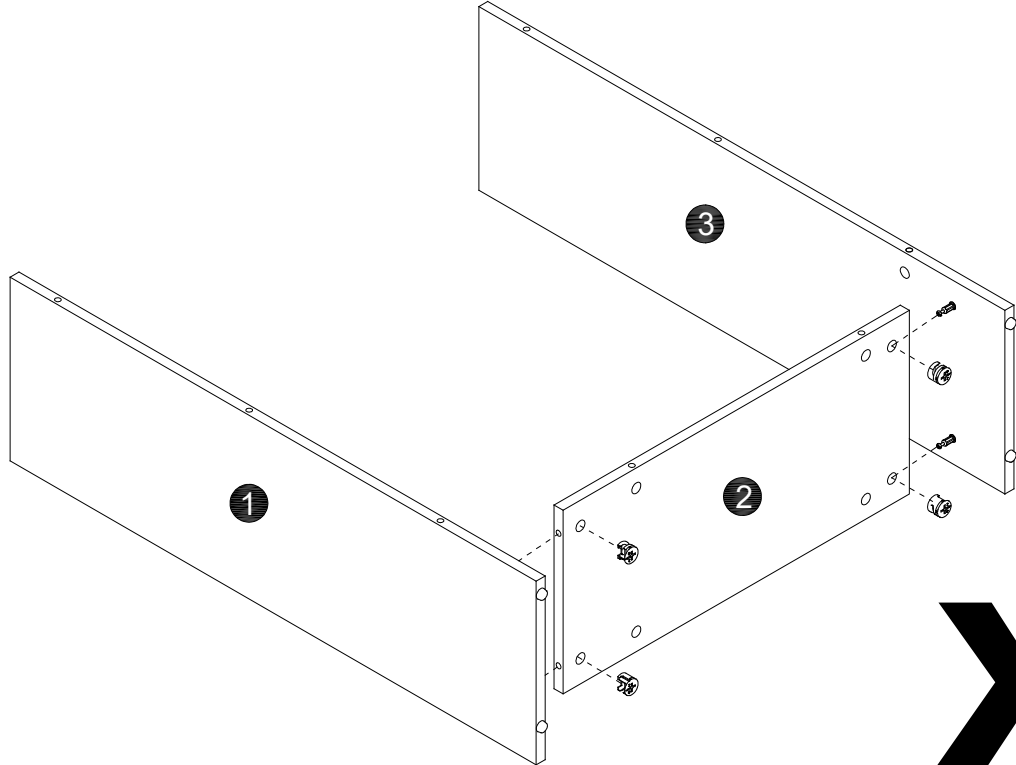
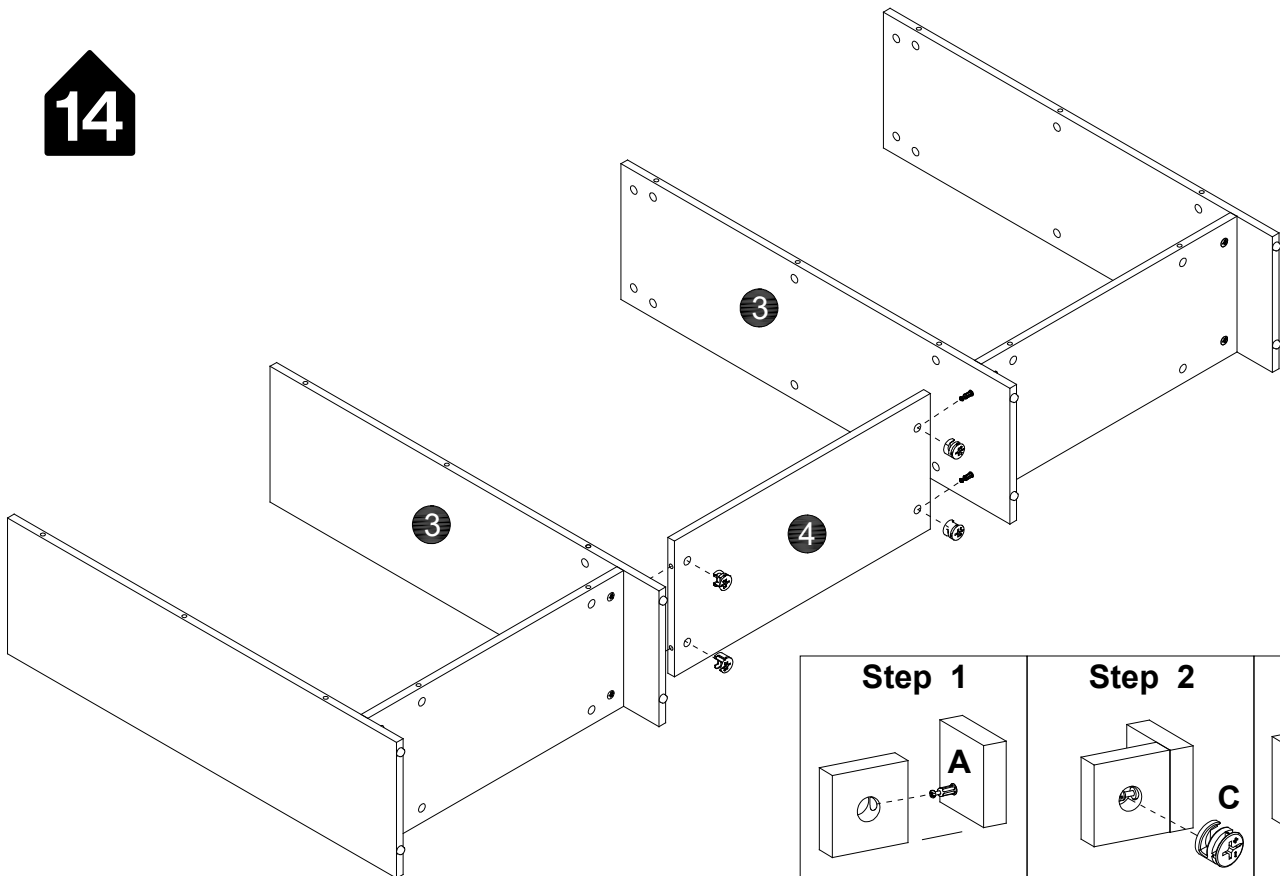
x2



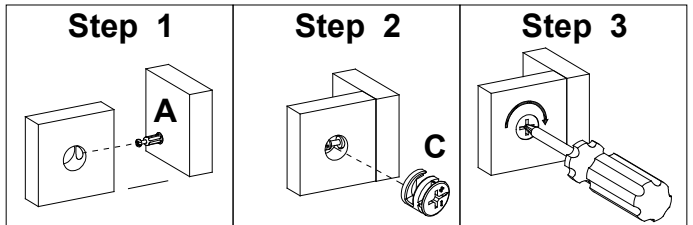
 Caution! Tap lightly

13

C
Ø15x12mm
8 pcs

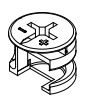
**x2****14**

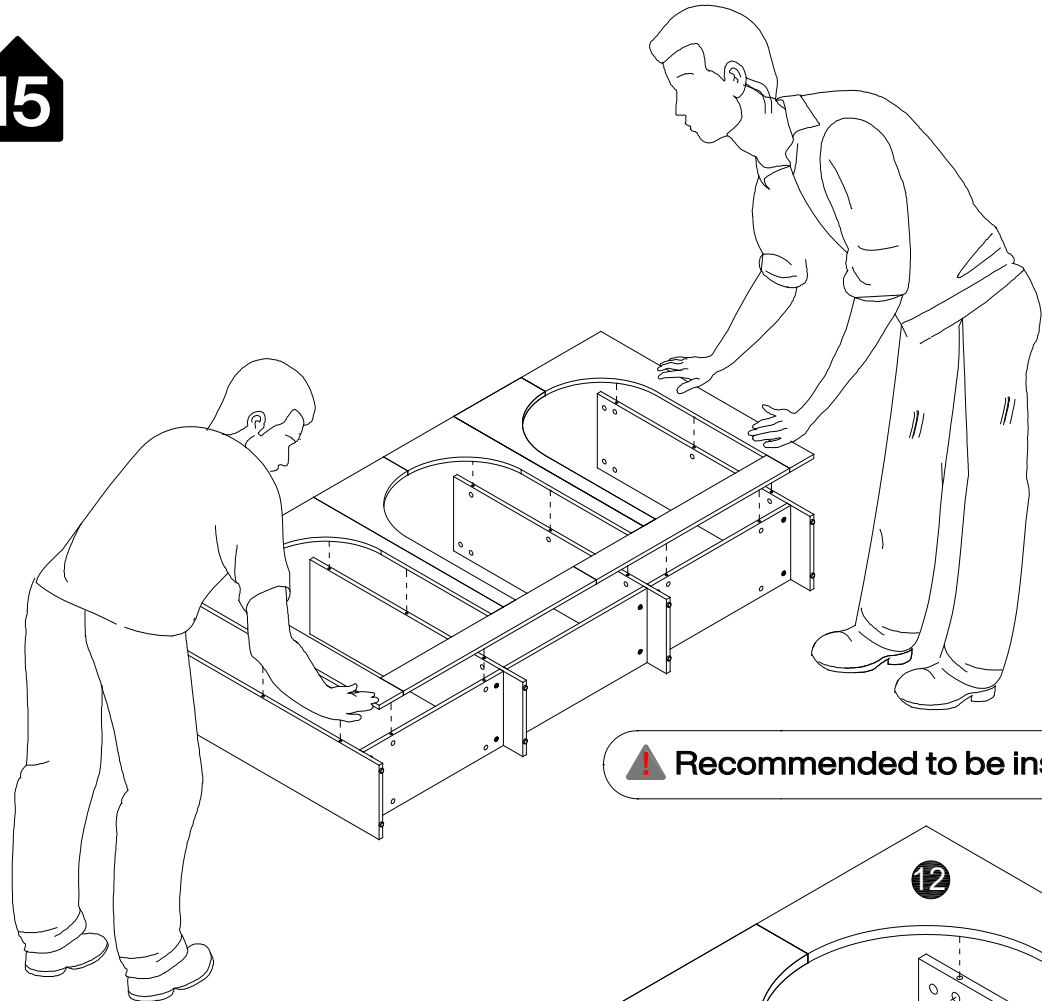
C
Ø15x12mm
4 pcs



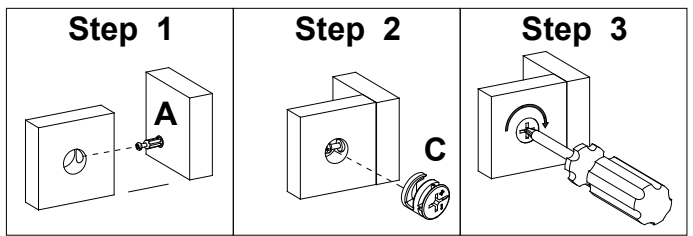
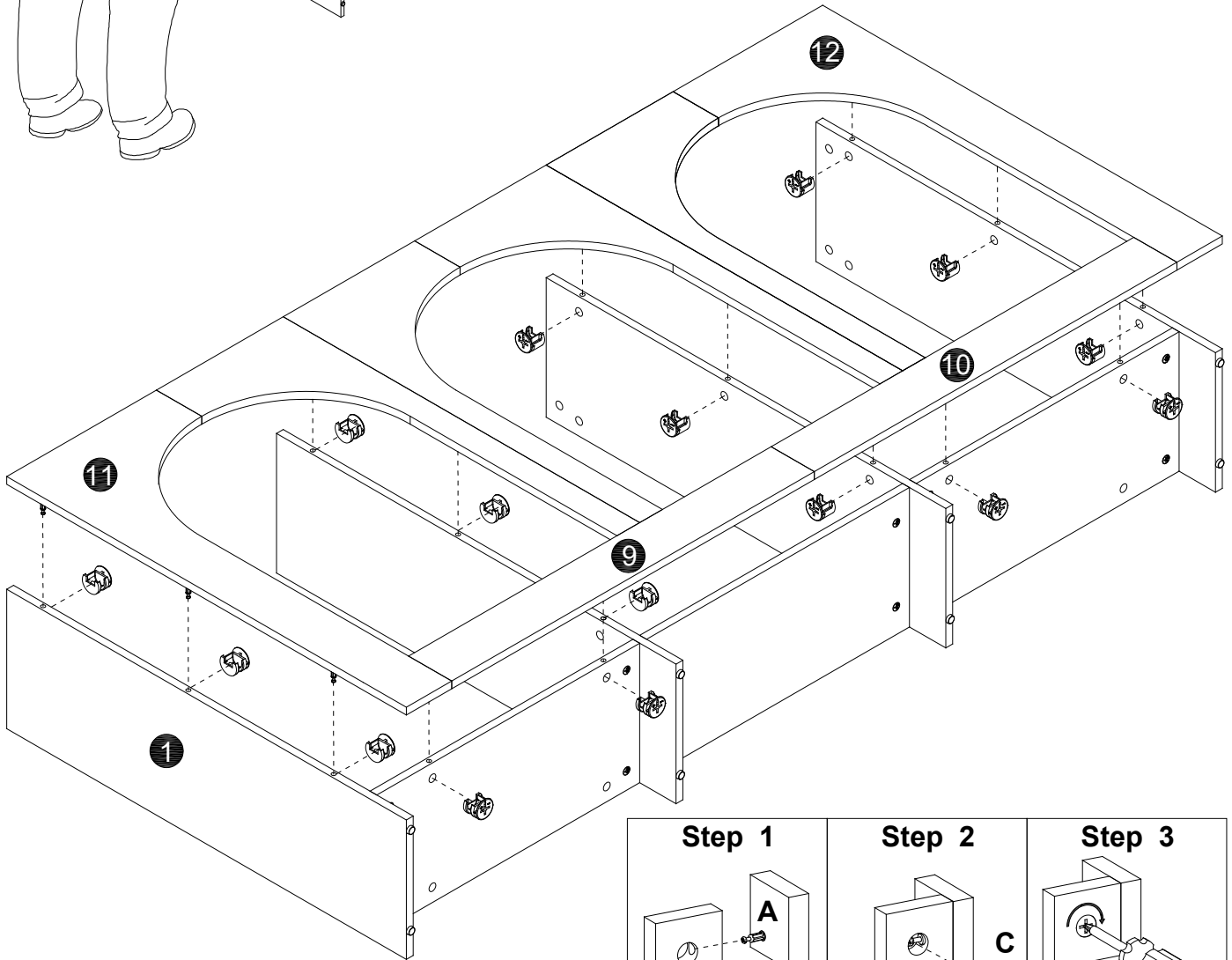


15


C

Ø15x12mm
16 pcs

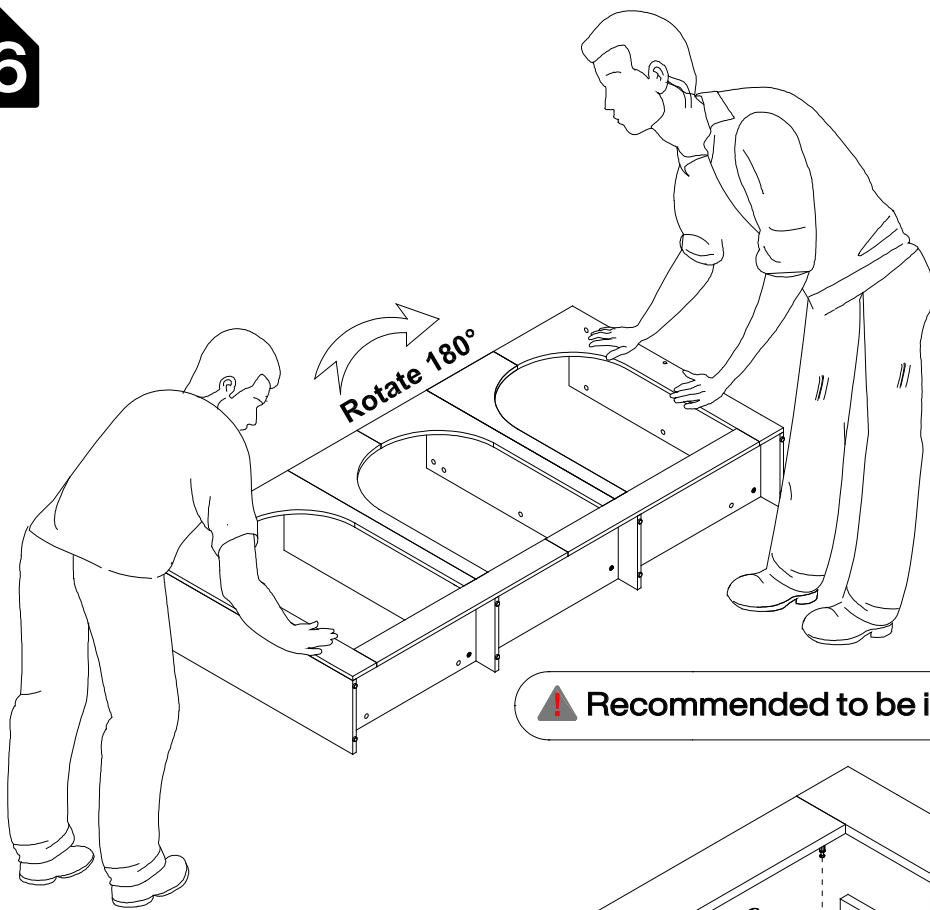


 Recommended to be installed by two adults.

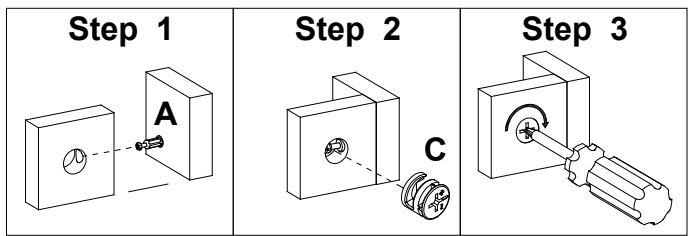
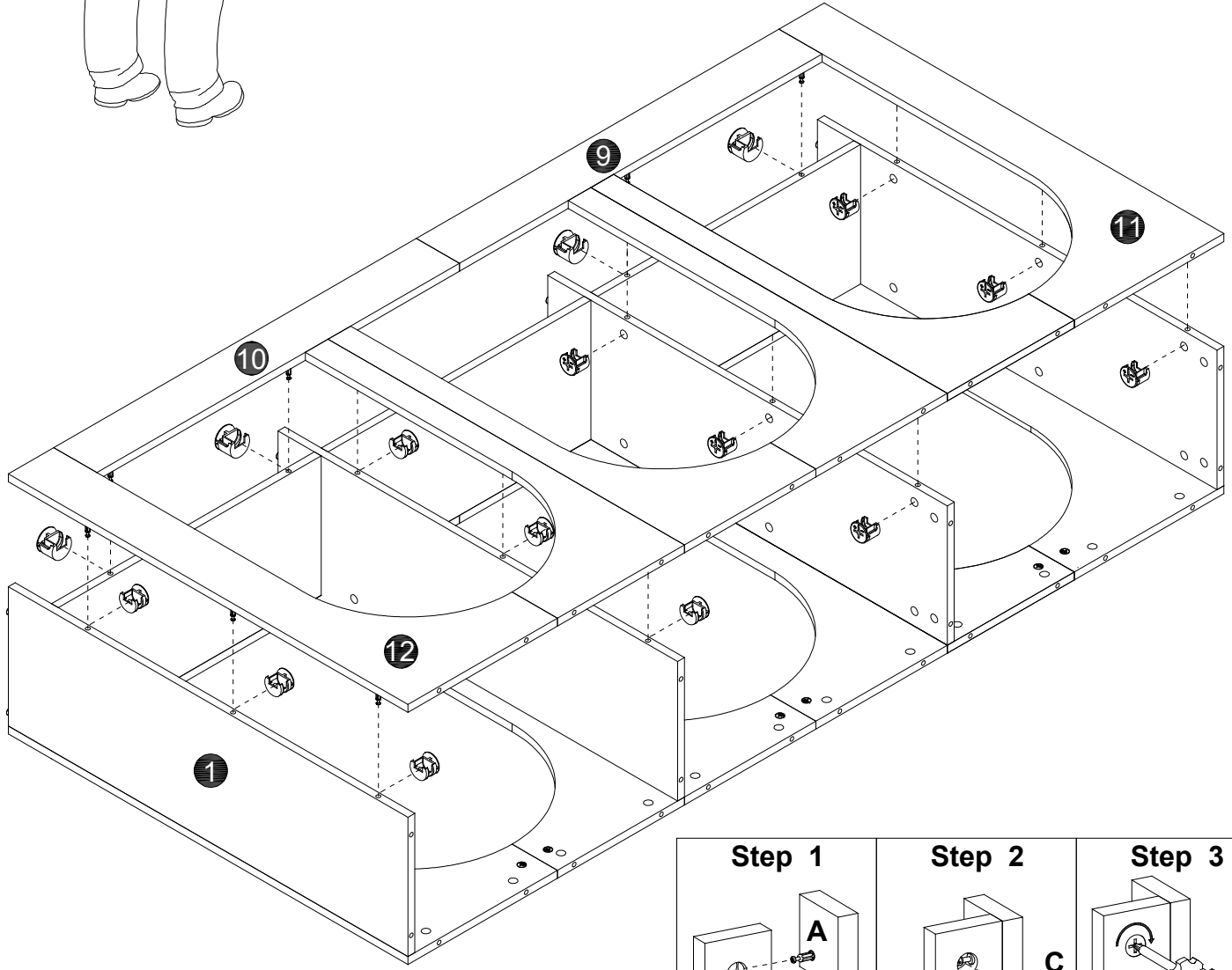


16

C

Ø15x12mm
16 pcs

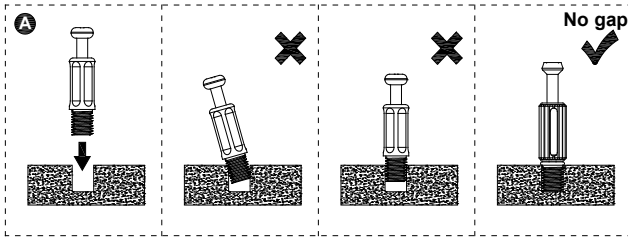


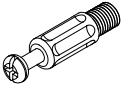
 Recommended to be installed by two adults.

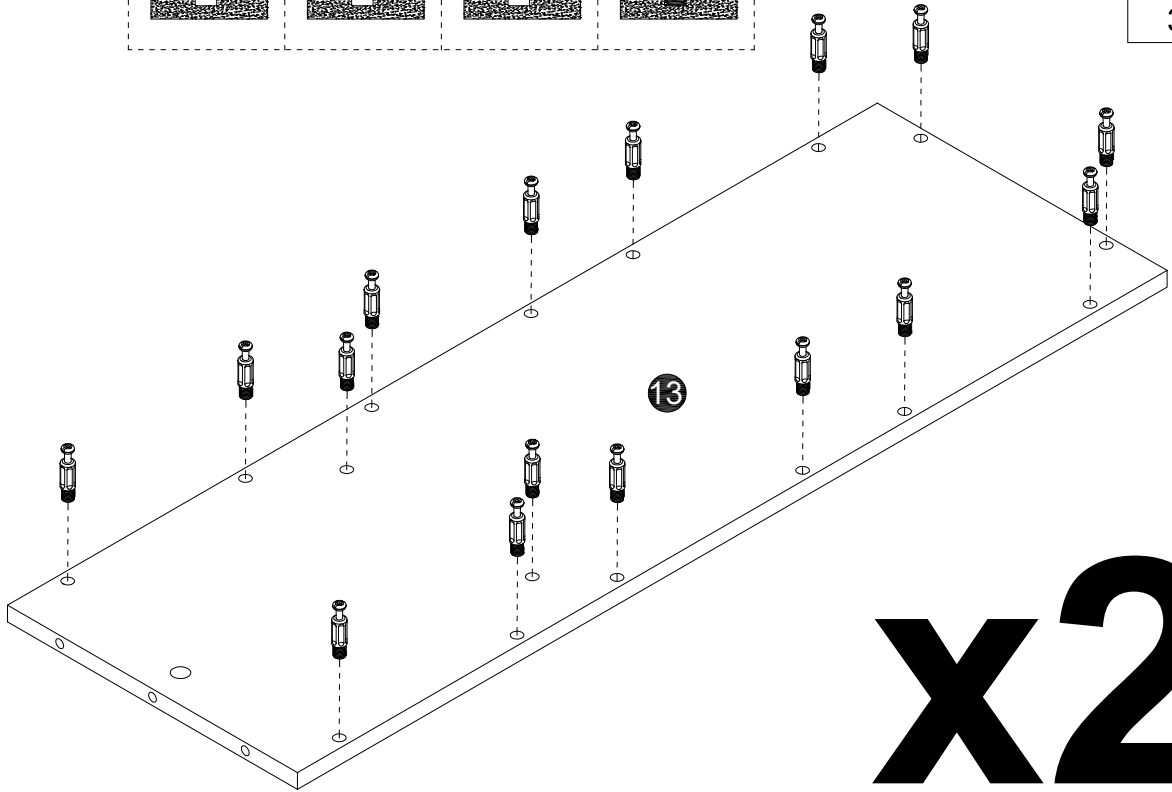




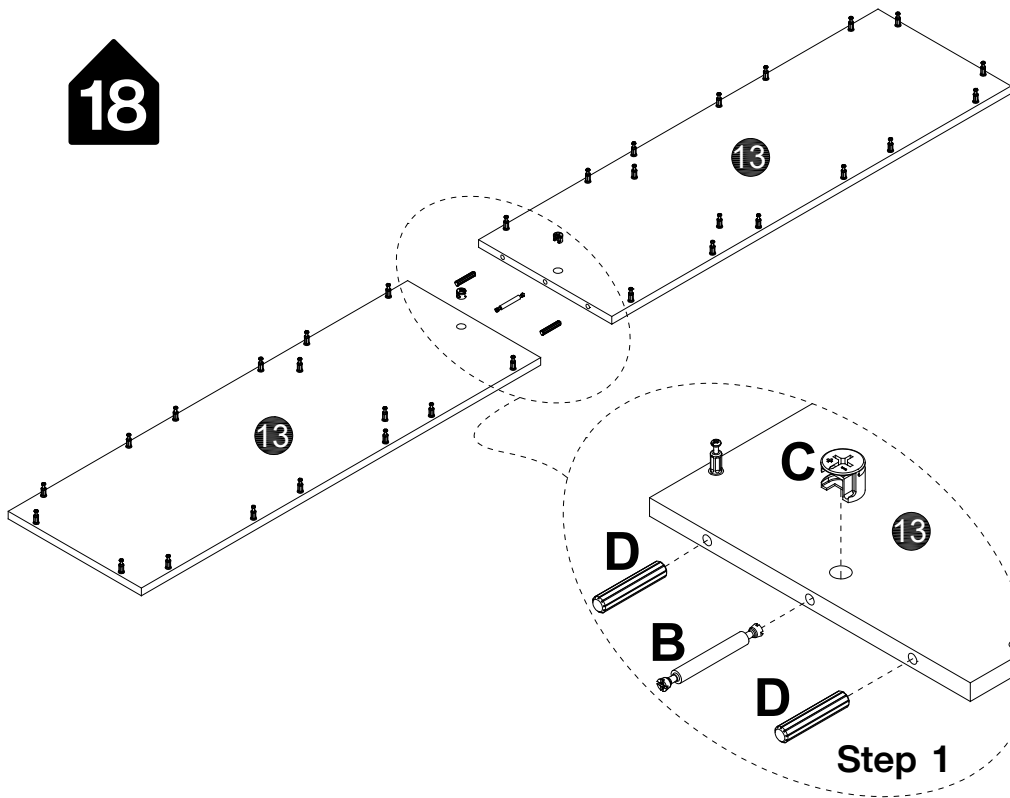
17

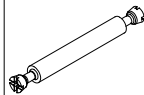
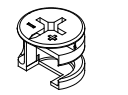



A

M6x35mm
32 pcs



18

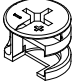


B	C	D
		
M6x64mm	Ø15x12mm	Ø8x40mm
1 pcs	2 pcs	2 pcs

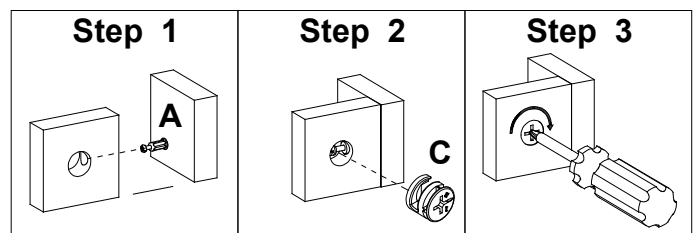
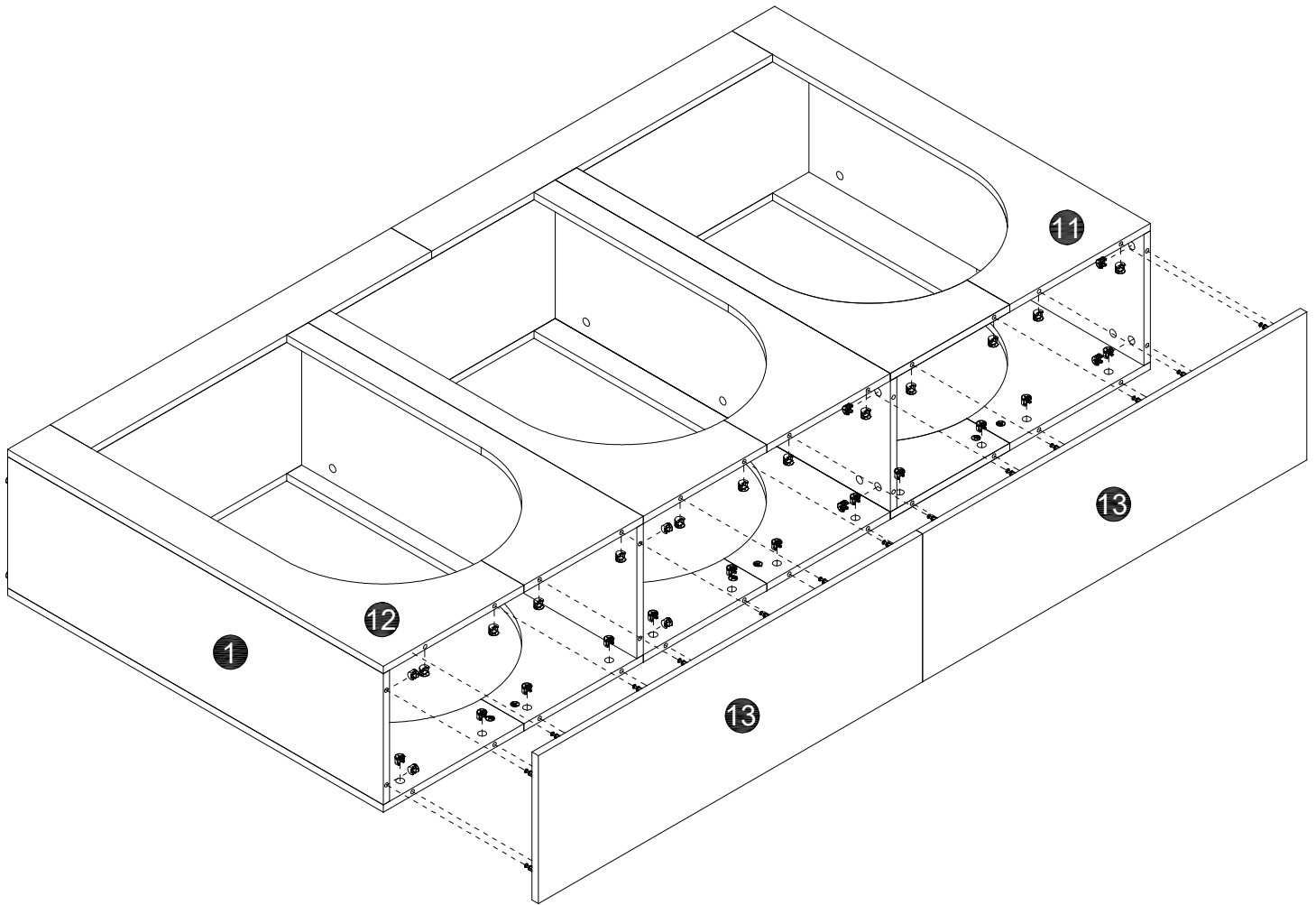
1. Align one end of #B#D with the hole in plate#13,then lock #C clockwise.
2. Align the other end of #B#D with the hole in plate#13,then lock #C clockwise.



19

C

Ø15x12mm
32 pcs

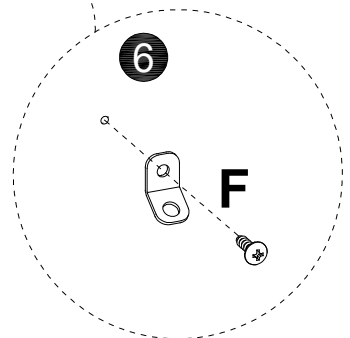
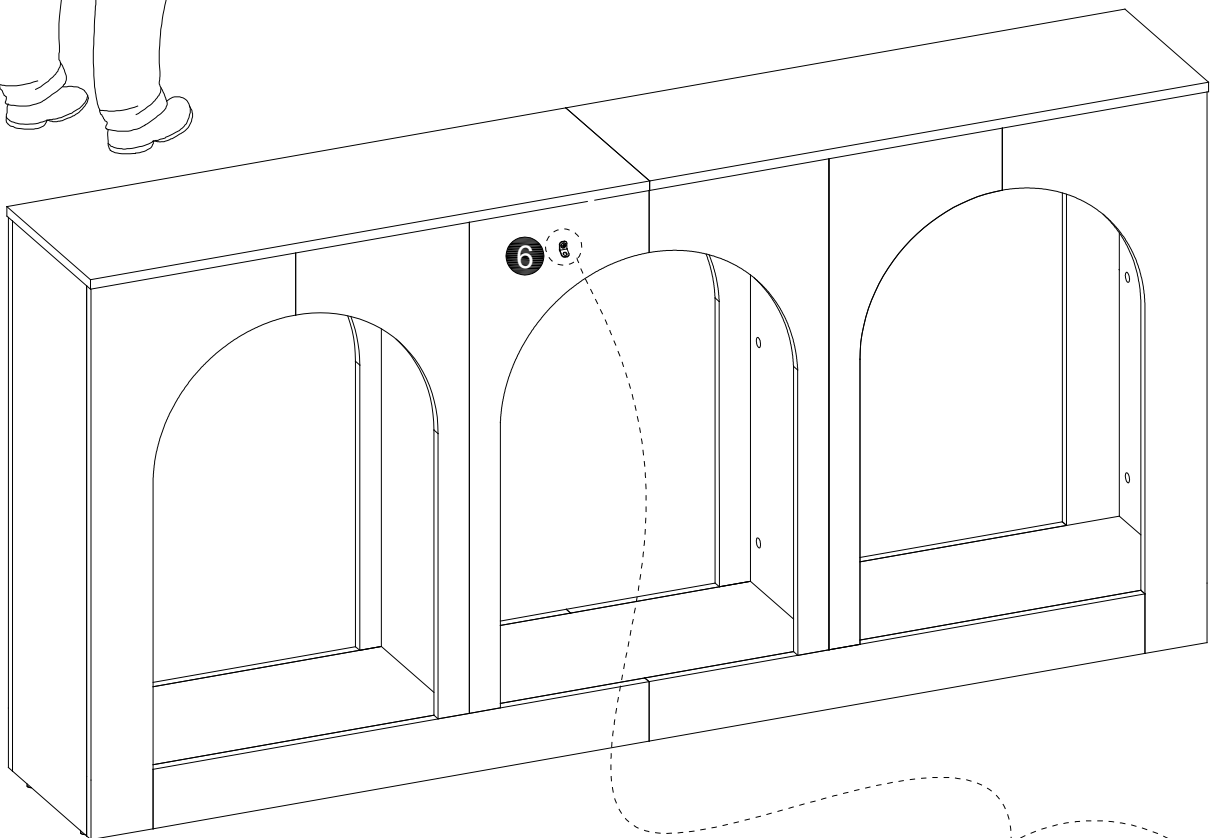
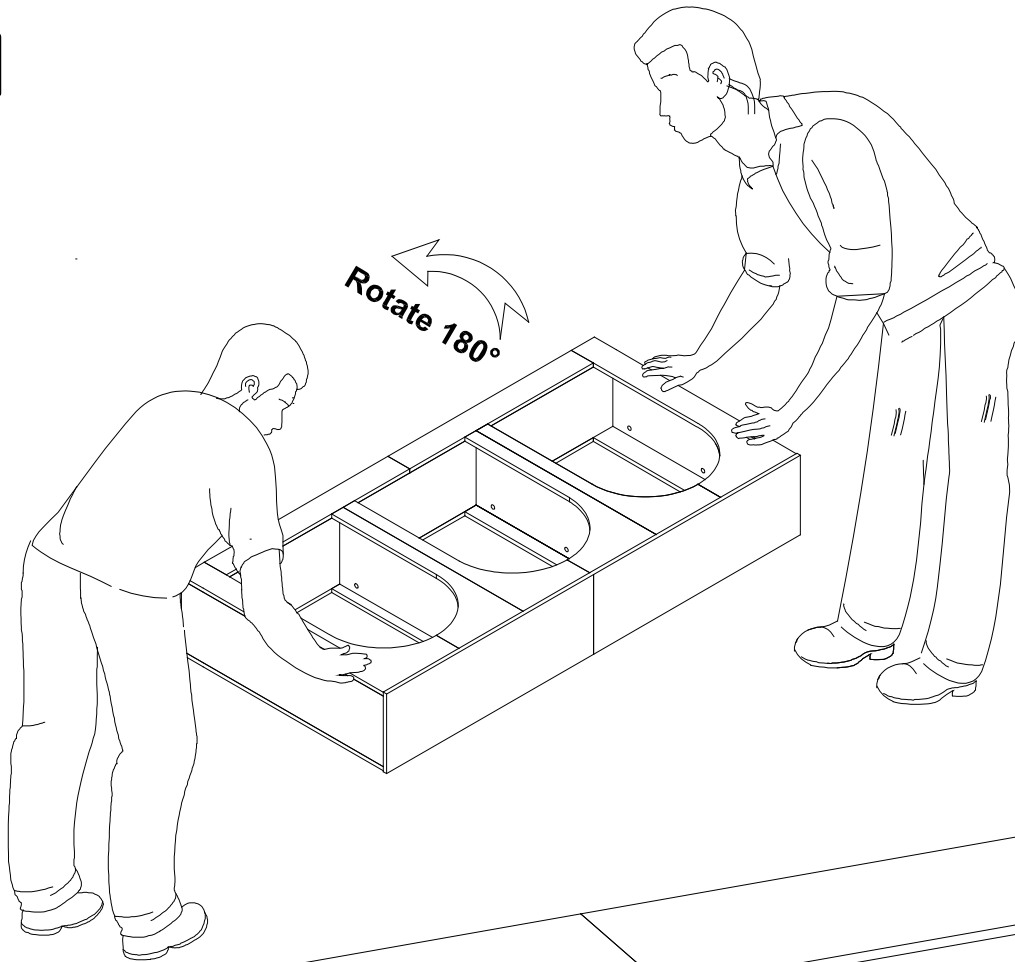
 Recommended to be installed by two adults.





20

F
1 pc

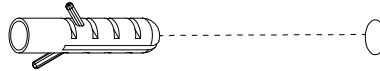




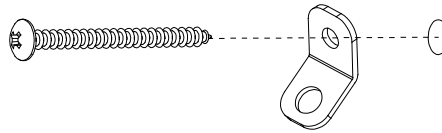
21

Wall

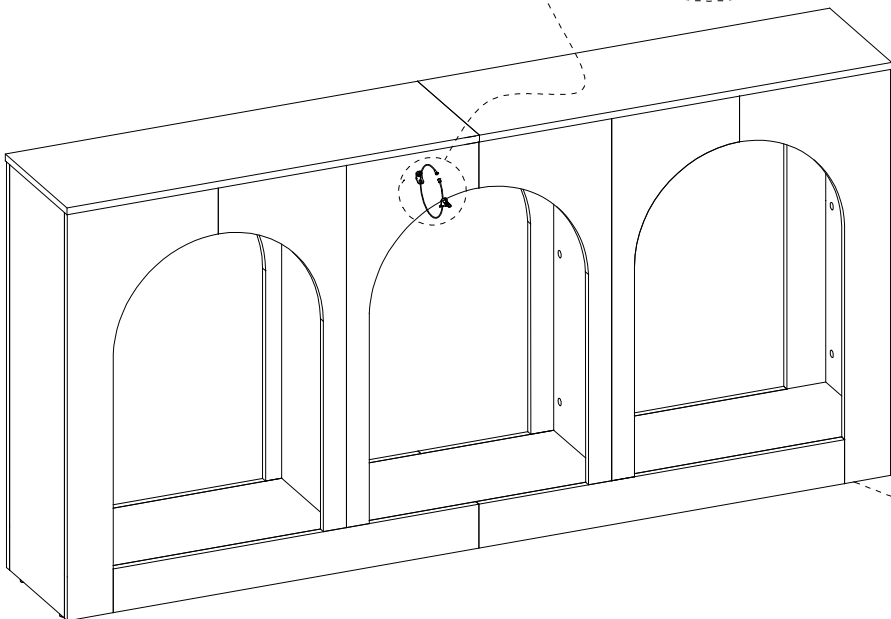
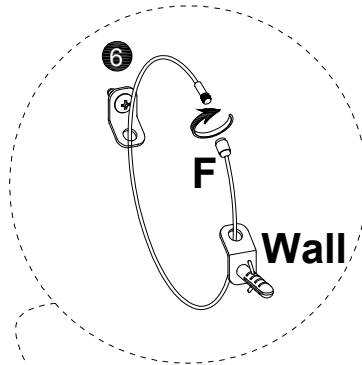
Step1



Step2



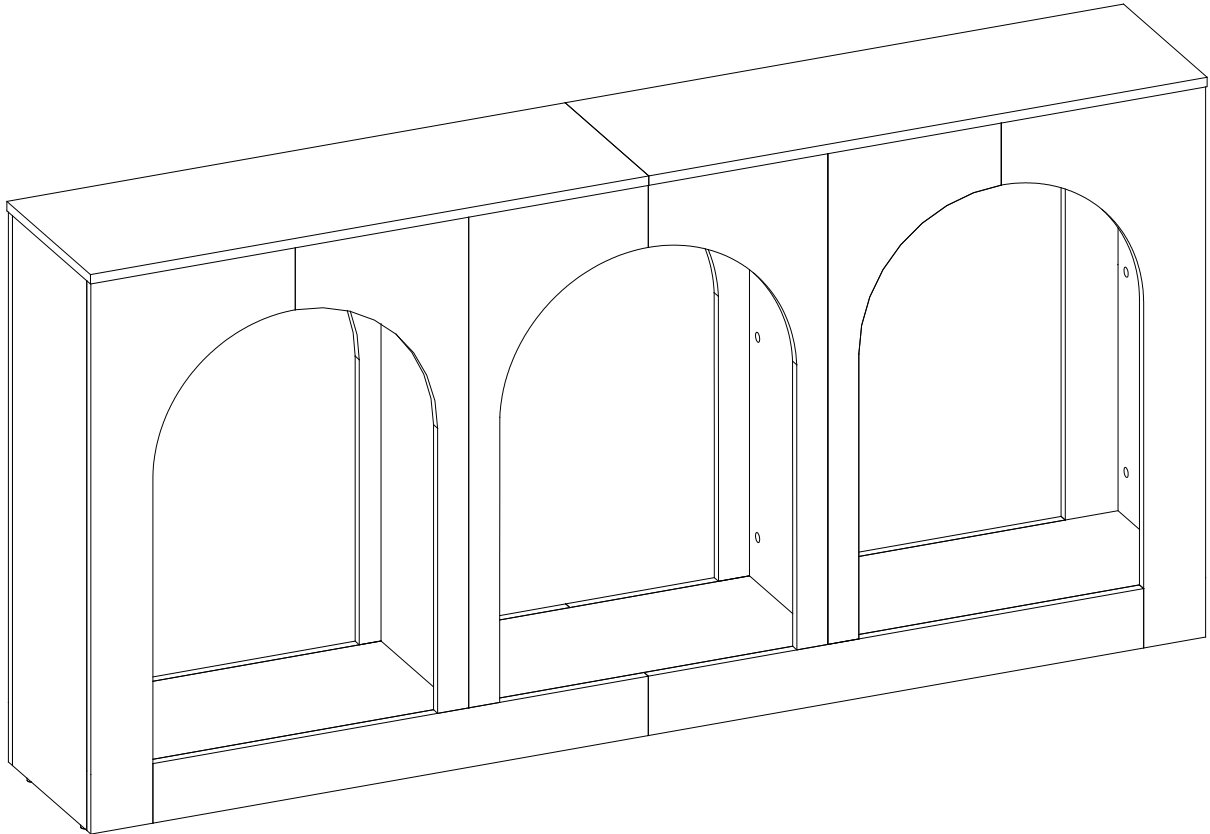
Step3





DESIGNED FOR LIFE

Thank you for your support!



Contact our customer service team



support@tribesigns.com
www.tribesigns.com



1-424-220-6888

7 AM to 8 PM EST,
Monday to Friday

Follow Tribesigns



Facebook



Instagram



Pinterest



Twitter



YouTube



TikTok



WhatsApp