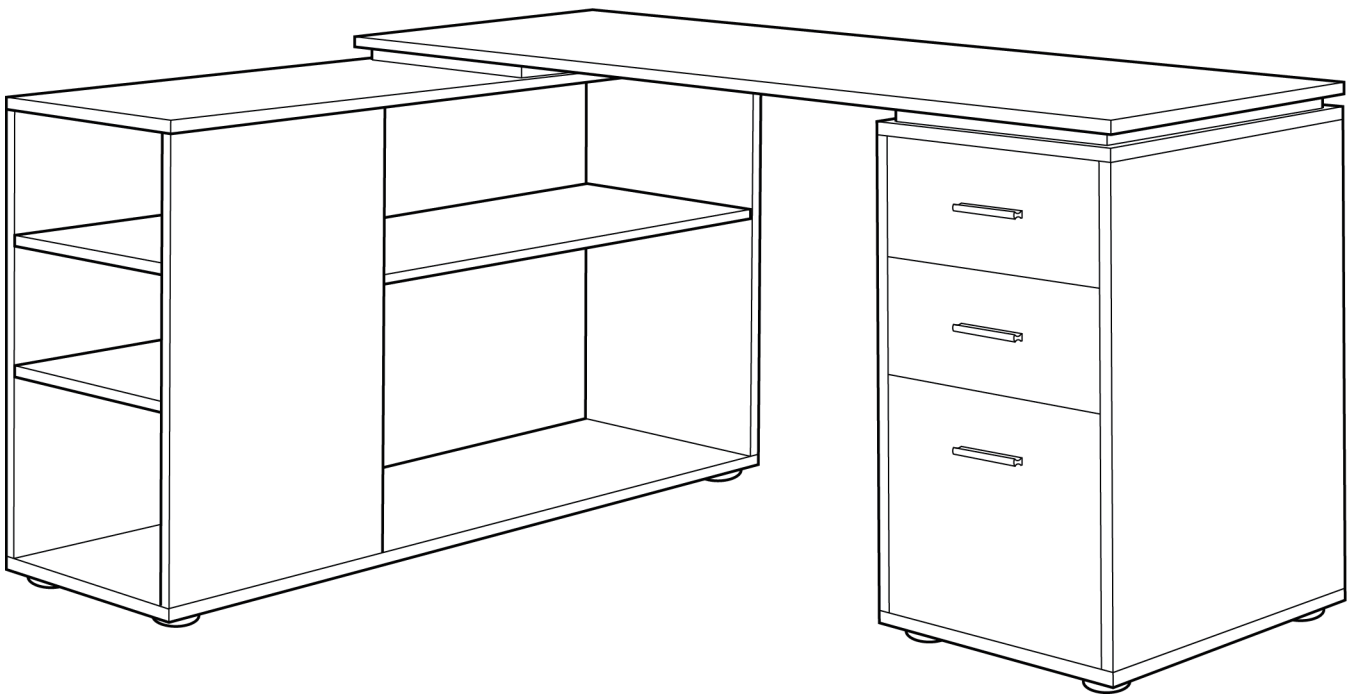


Computer Desk



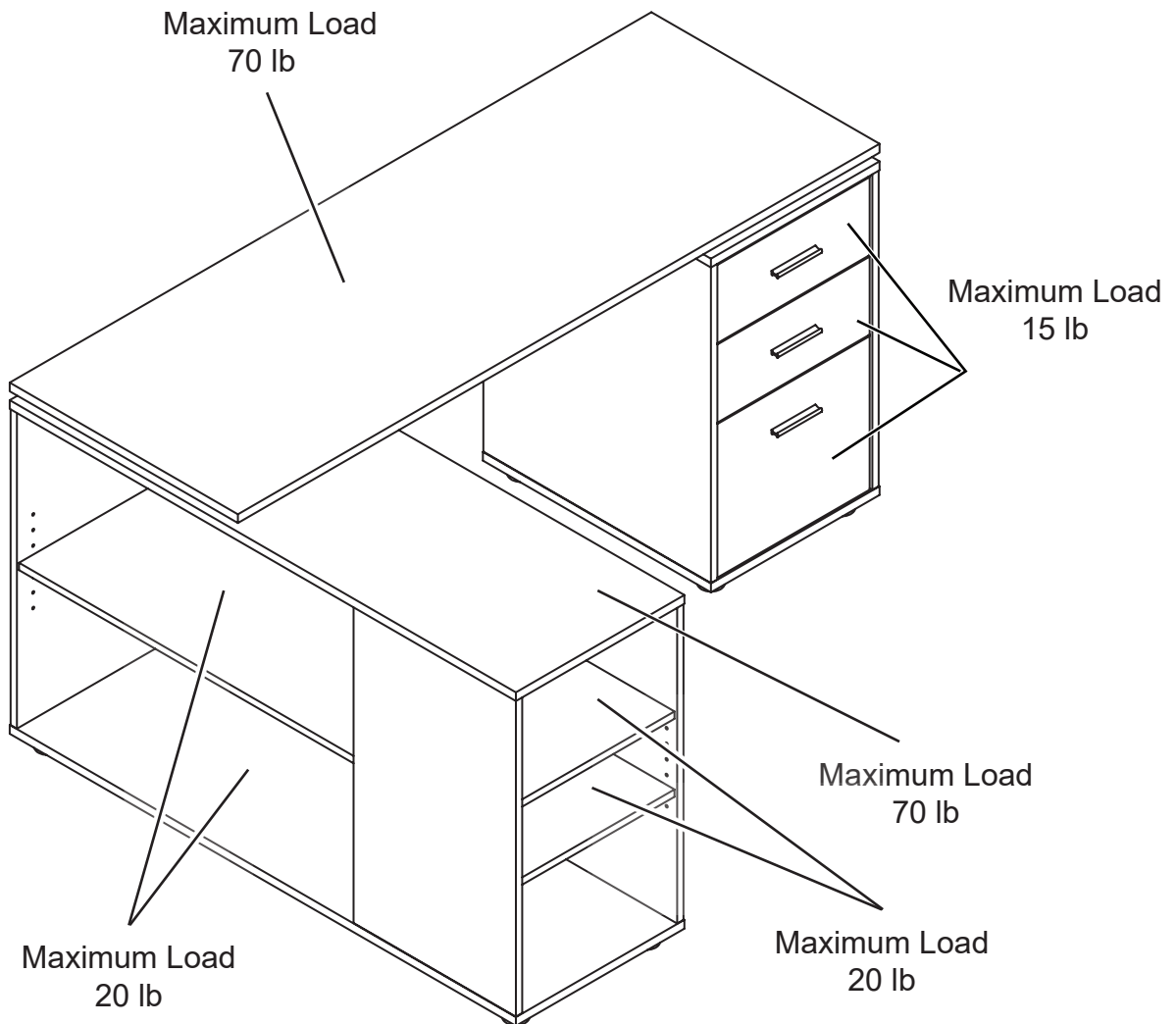


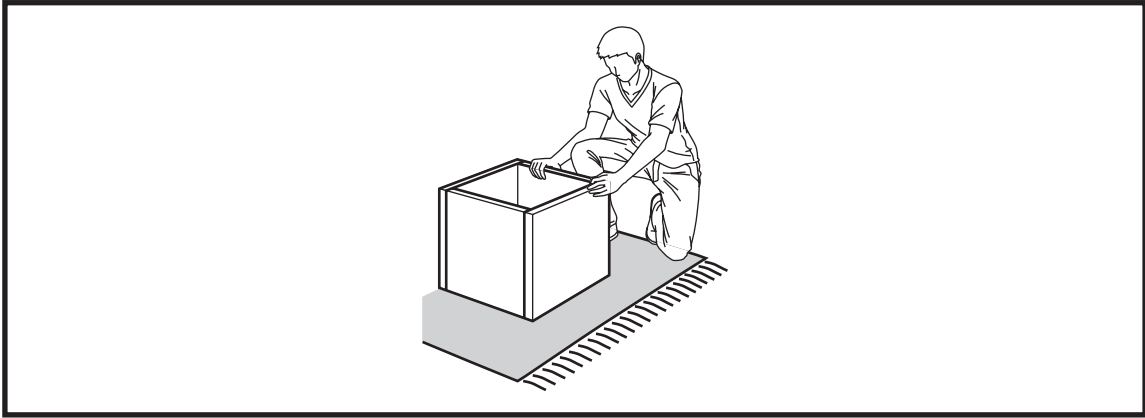
Estimated time for assembly:

90 mins



Weight limitations are as follows:

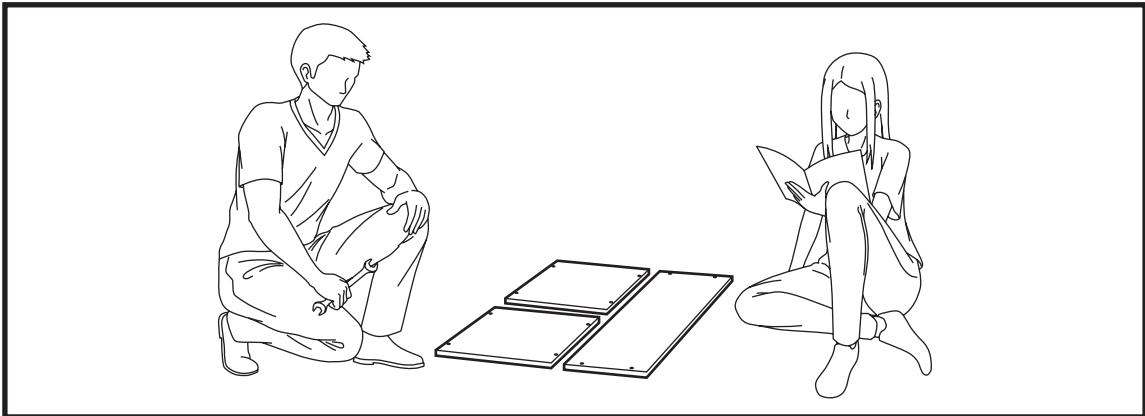




Assemble the furniture on an empty carton, carpet, or rug to prevent scratches or damage.

For safety, please keep pets and children away from the assembly area.

Ensure the product is fully assembled before use. If you are missing any hardware or products, do not use it until you have restored the missing parts.



This furniture requires 2 people for assembly.

Read this instruction manual prior to assembly to familiarize yourself with the various steps.

Lay out all components and hardware separately on a flat surface and make sure that no parts are missing or damaged before assembly. Do not destroy or discard any packaging until you are certain that you have all the necessary parts for assembly.

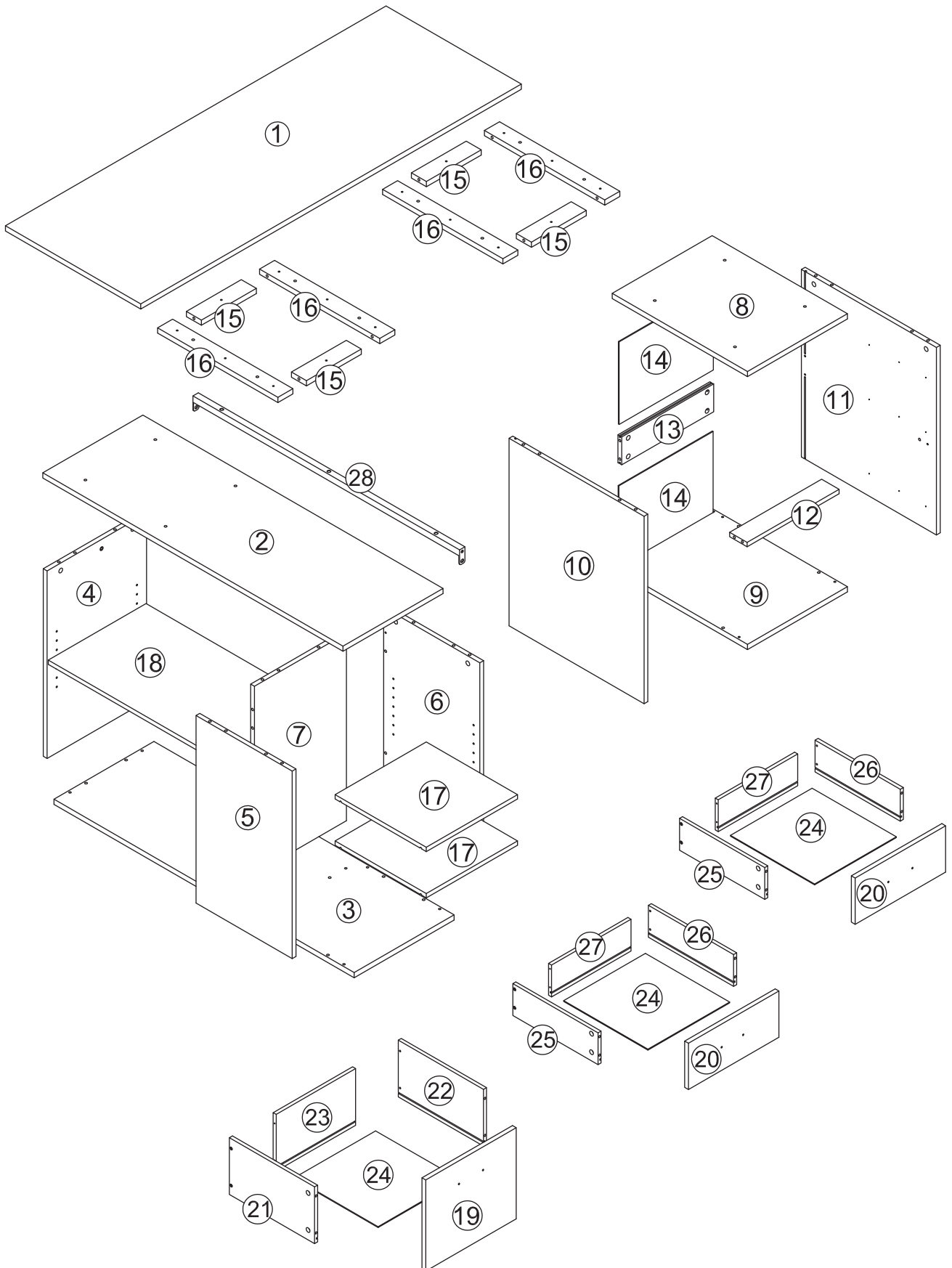
Hand tight all hardware and careful not to over tighten to avoid damaging the product.

CAUTION

There are small components used in the construction of this product. Loose items should be kept away from pets and children to avoid a choking hazard.

Keep all plastic bags and packaging film away from pets and children to avoid suffocation.

PACKAGE CONTENTS



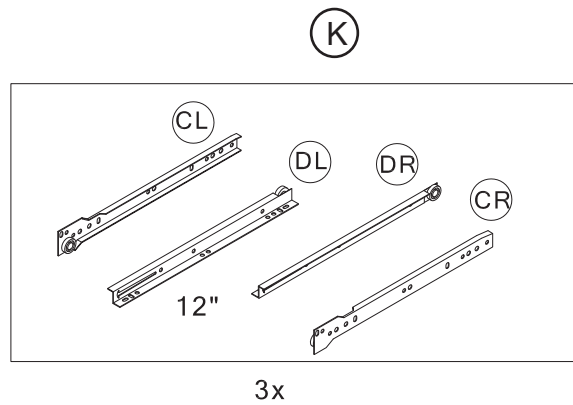
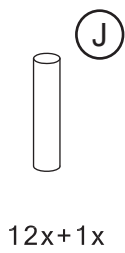
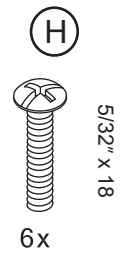
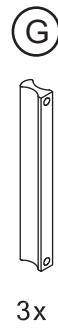
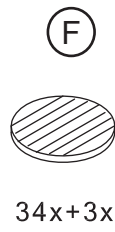
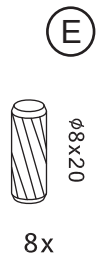
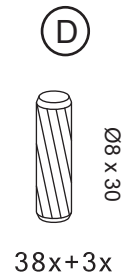
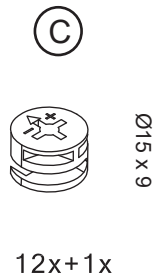
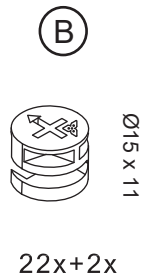
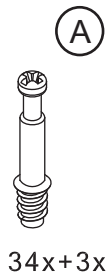
PACKAGE CONTENTS (A)

CODE	DESCRIPTION	QTY
2	Side Shelf Top Panel	1
3	Side Shelf Bottom Panel	1
4	Side Shelf Back Panel	1
5	Side Shelf Left Panel	1
6	Side Shelf Right Panel	1
7	Side Shelf Division Panel	1
8	Drawer Shelf Top Panel	1
9	Drawer Shelf Bottom Panel	1
12	Drawer Shelf Front Divider	1
13	Drawer Shelf Back Divider	1
14	Drawer Shelf Back Panel	2
15	Short Spacer Strip	4
16	Long Spacer Strip	4
17	Small Storage Shelf Panel	2
18	Large Storage Shelf Panel	1
19	Large Drawer Front Panel	1
20	Small Drawer Front Panel	2
21	Large Drawer Left Panel	1
22	Large Drawer Right Panel	1
23	Large Drawer Back Panel	1
24	Drawer Bottom Panel	3
25	Small Drawer Left Panel	2
26	Small Drawer Right Panel	2
27	Small Drawer Back Panel	2
28	Crossbar	1

PACKAGE CONTENTS (B)

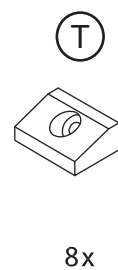
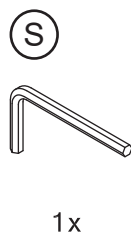
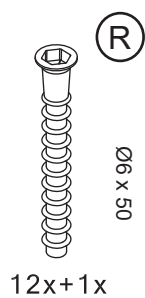
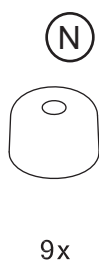
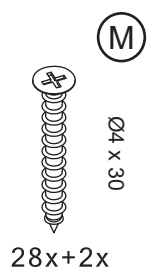
CODE	DESCRIPTION	QTY
1	Table Top Panel	1
10	Drawer Shelf Left Panel	1
11	Drawer Shelf Right Panel	1

PACKAGE CONTENTS



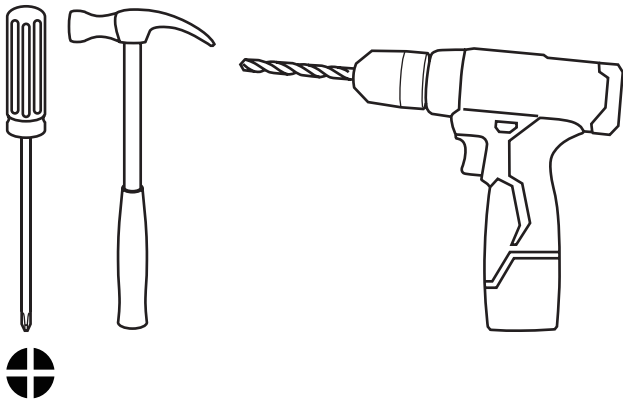
Install all hardware perpendicular to the opening.

PACKAGE CONTENTS



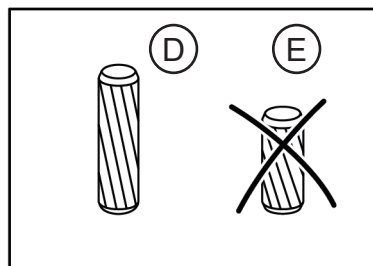
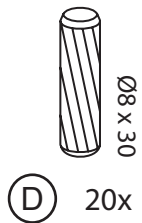
Install all hardware perpendicular to the opening.

Required tools for assembly (Not included)

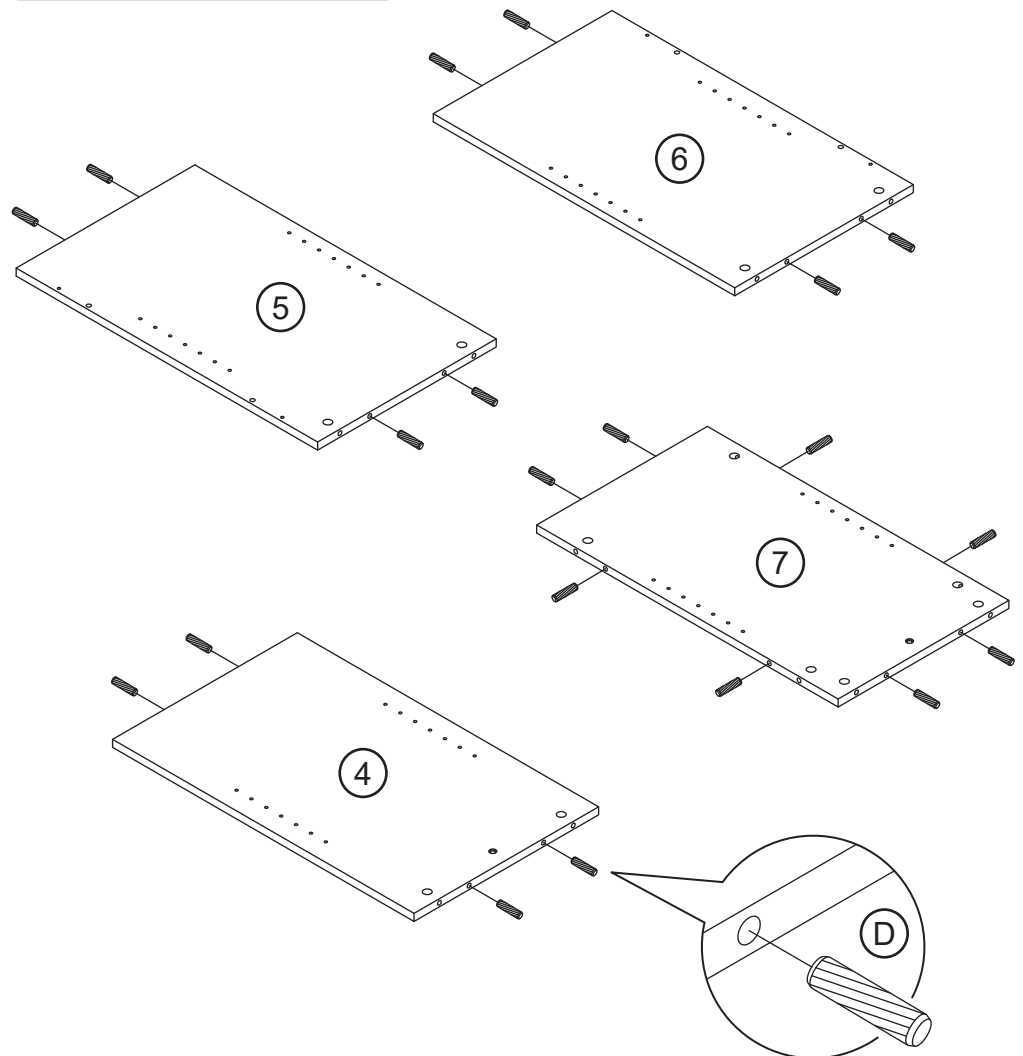


1

Insert wood dowels to the side shelf back panel (4), side shelf side panels (5, 6) and the side shelf division panel (7).

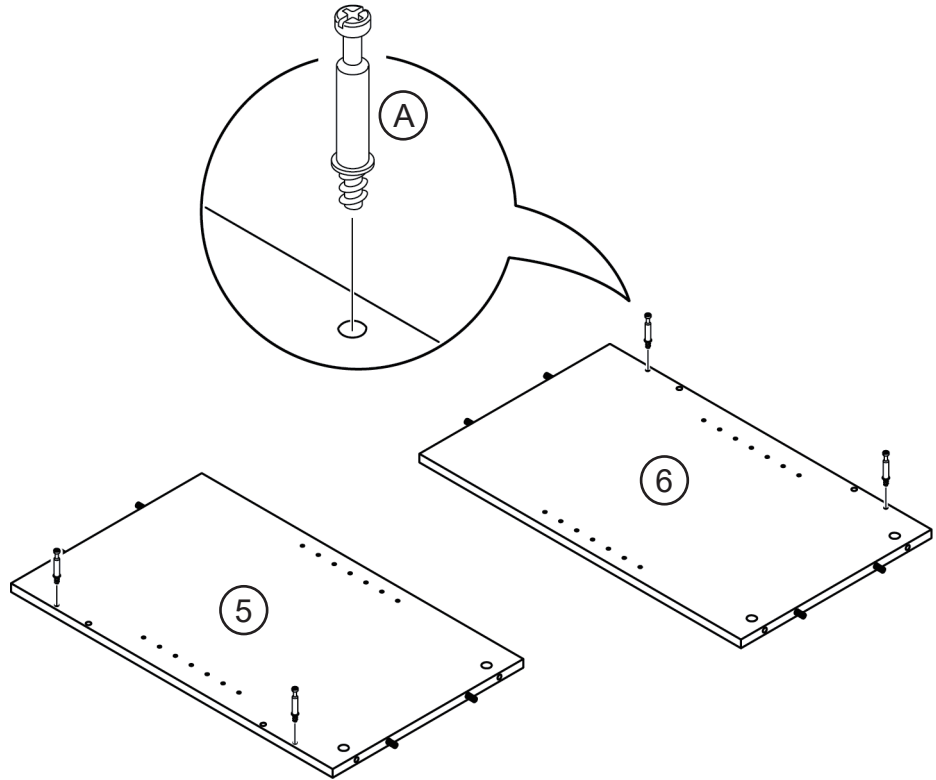
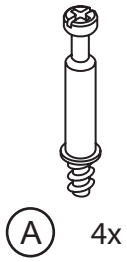


Note: Make sure to use the correct hardware.



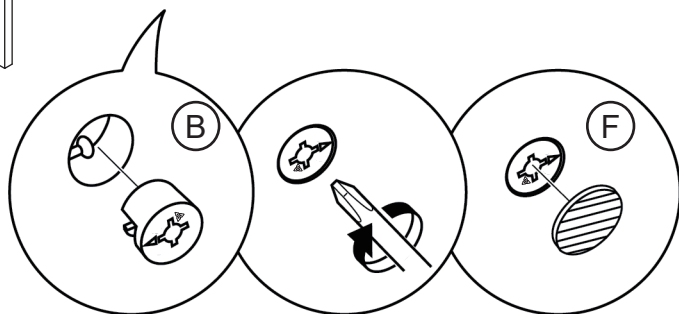
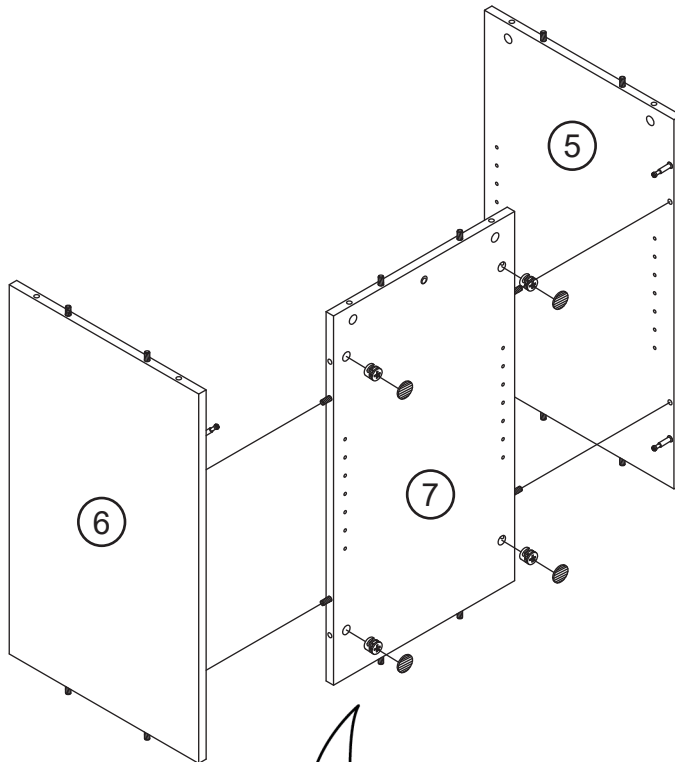
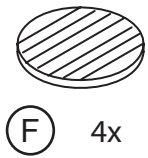
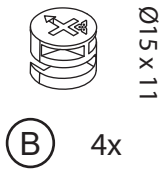
2

Attach cam bolts to the side shelf side panels (5, 6).



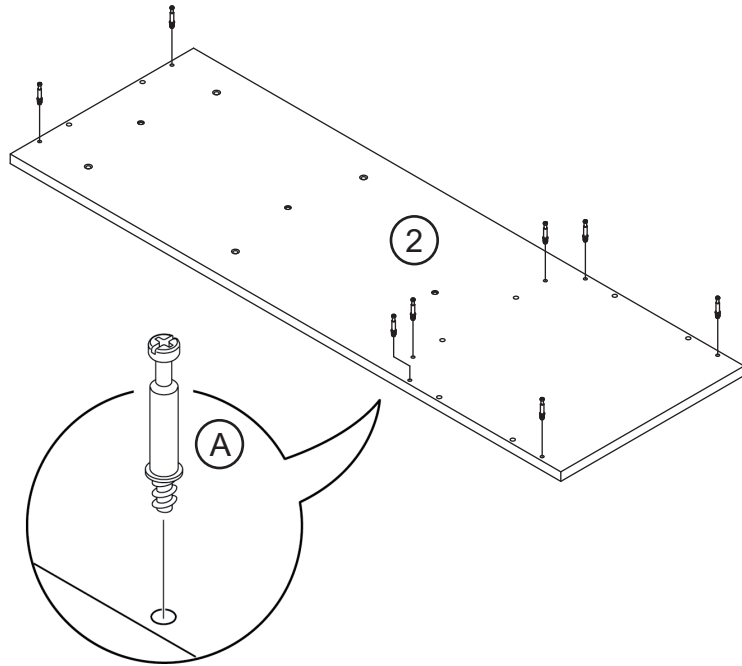
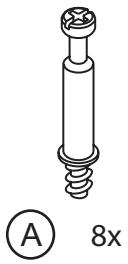
3

Assemble the side shelf division panel (7) between the side shelf side panels (5, 6).



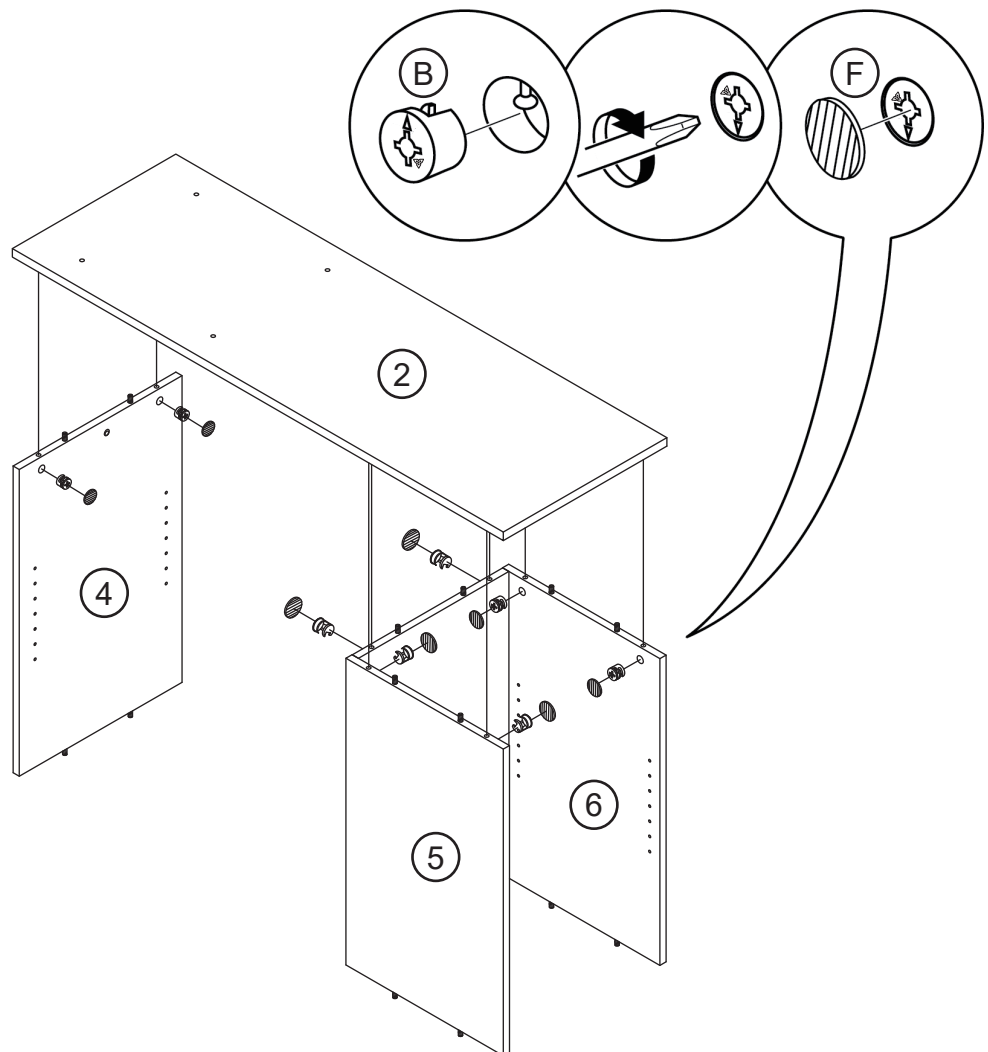
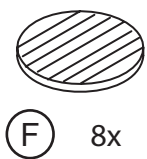
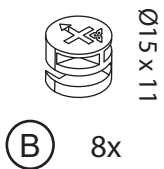
4

Attach cam bolts to the side shelf top panel (2).



5

Assemble the side shelf top panel (2) on top of the side shelf back panel (4) and the side shelf side panels (5, 6).

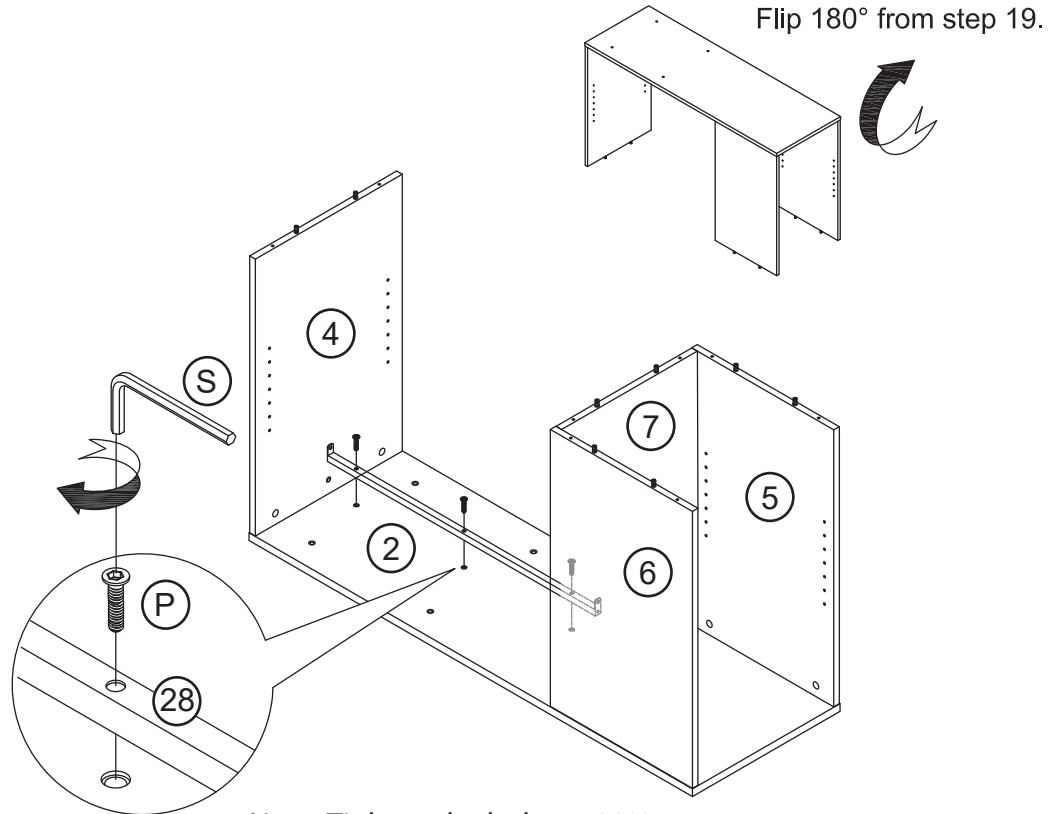


6

Place the side shelf assembly upside down, Attach Crossbar (28) to the side shelf top panel (2).



(P) 3x



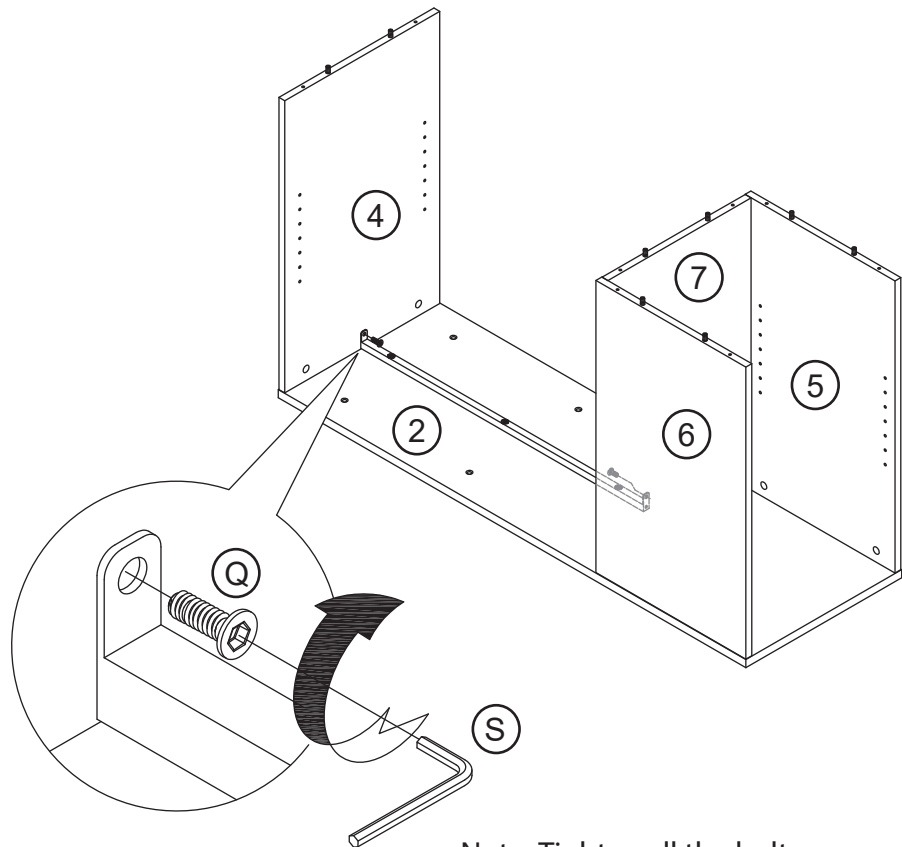
Note: Tighten the bolts to 80%.

7

Attach Crossbar (28) to the side shelf back panel and side shelf division panel (4,7).



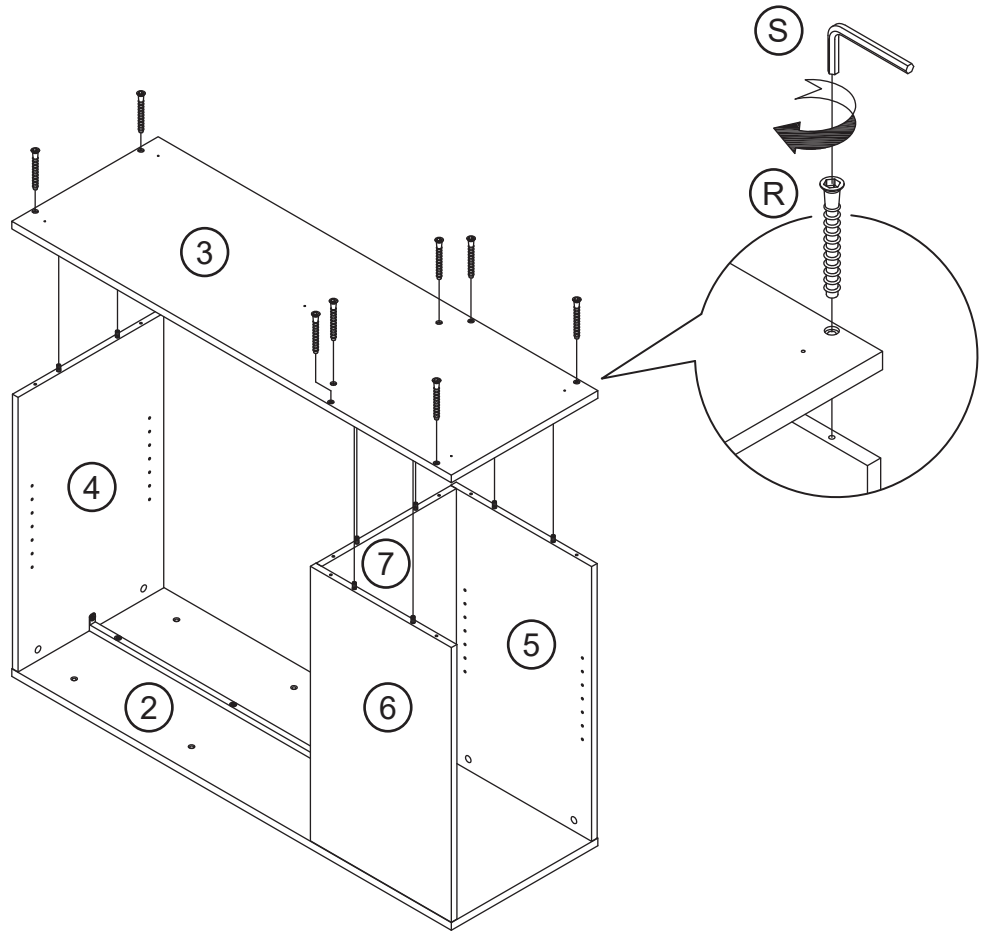
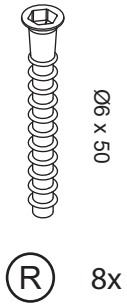
(Q) 2x



Note: Tighten all the bolts.

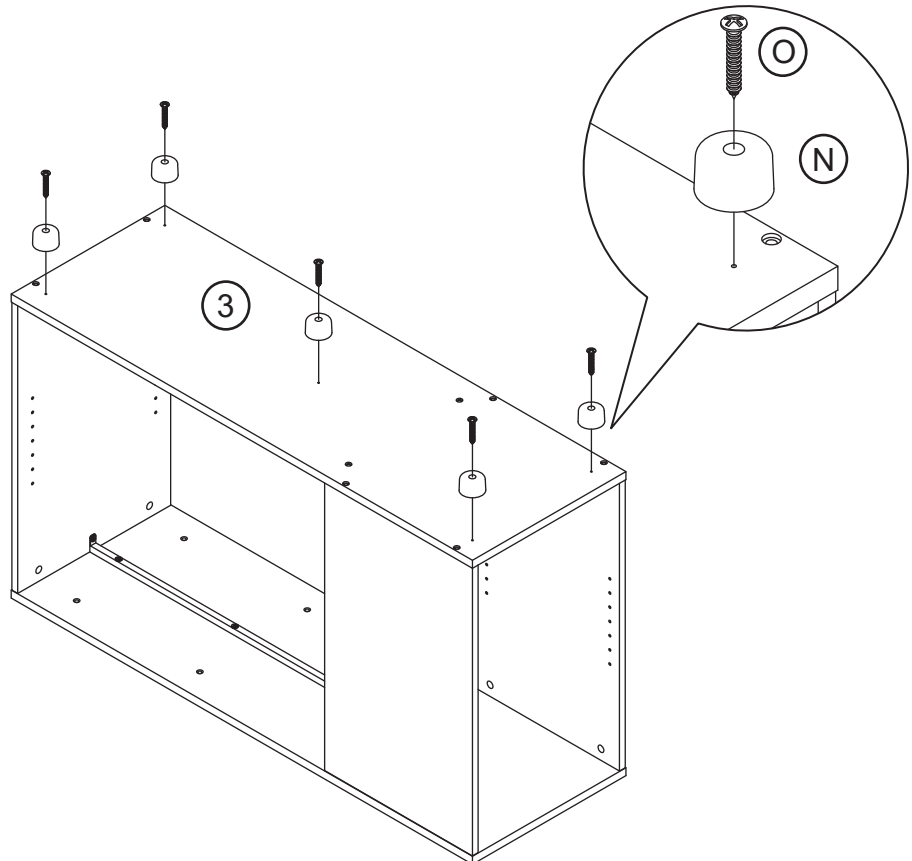
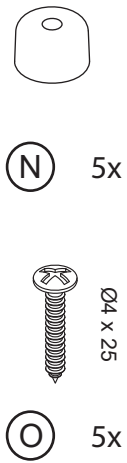
8

Assemble the side shelf bottom panel (3) to the side shelf assembly.



9

Attach legs to the bottom side of the side shelf bottom panel (3).



10

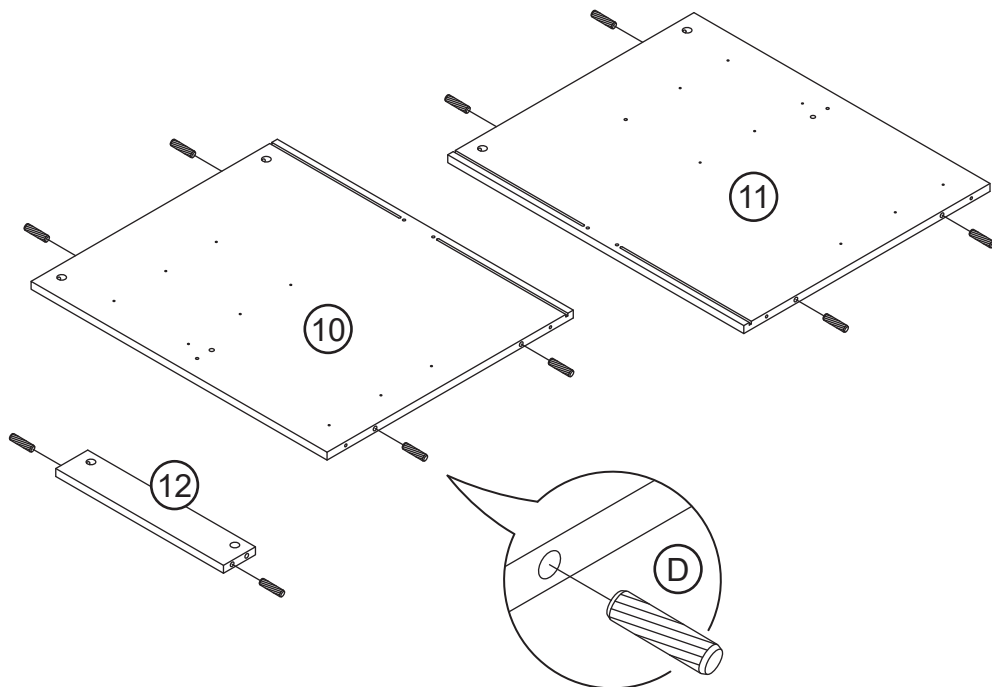
Insert wood dowels to draw shelf panels (10, 11, 12).



Ø8 x 30

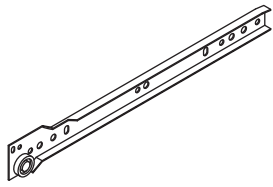
Ⓓ

10x

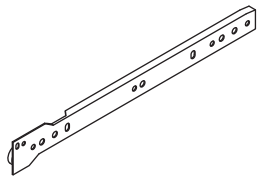


11

Attach drawer slide rails to the drawer shelf left and right panels (10, 11).



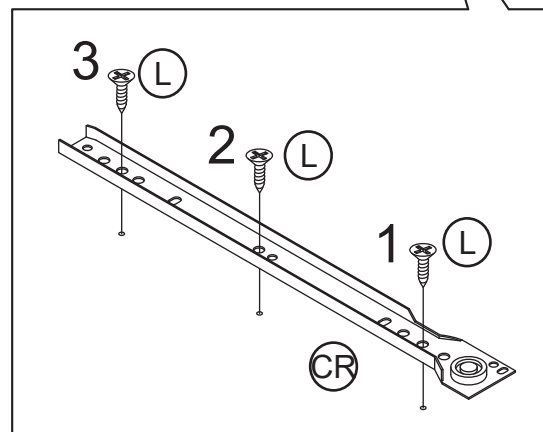
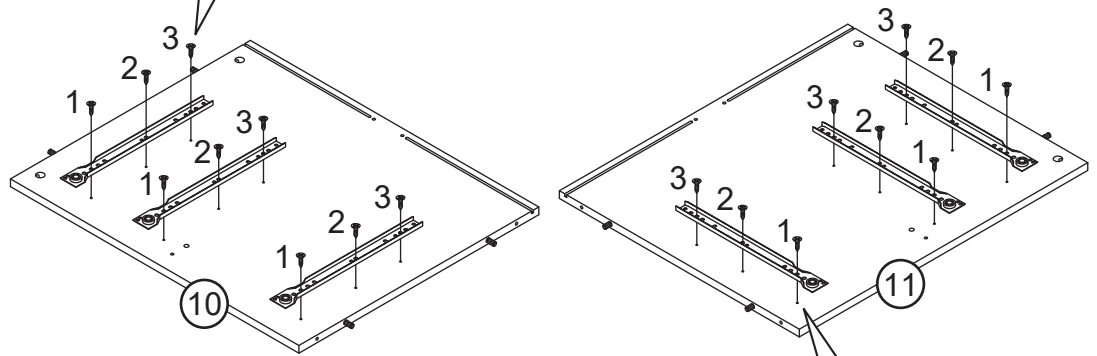
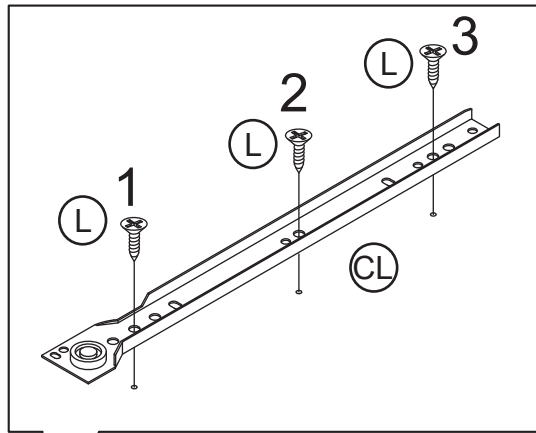
CL 3x



CR 3x



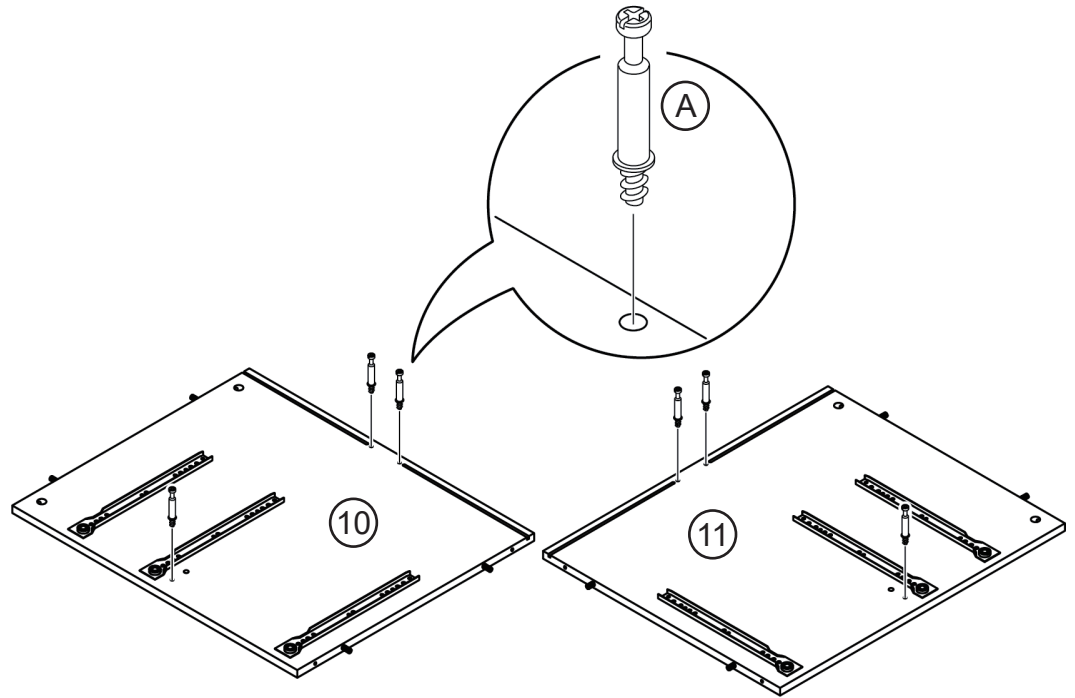
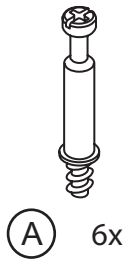
L 18x



Note: Make sure to insert screws in the correct opening.

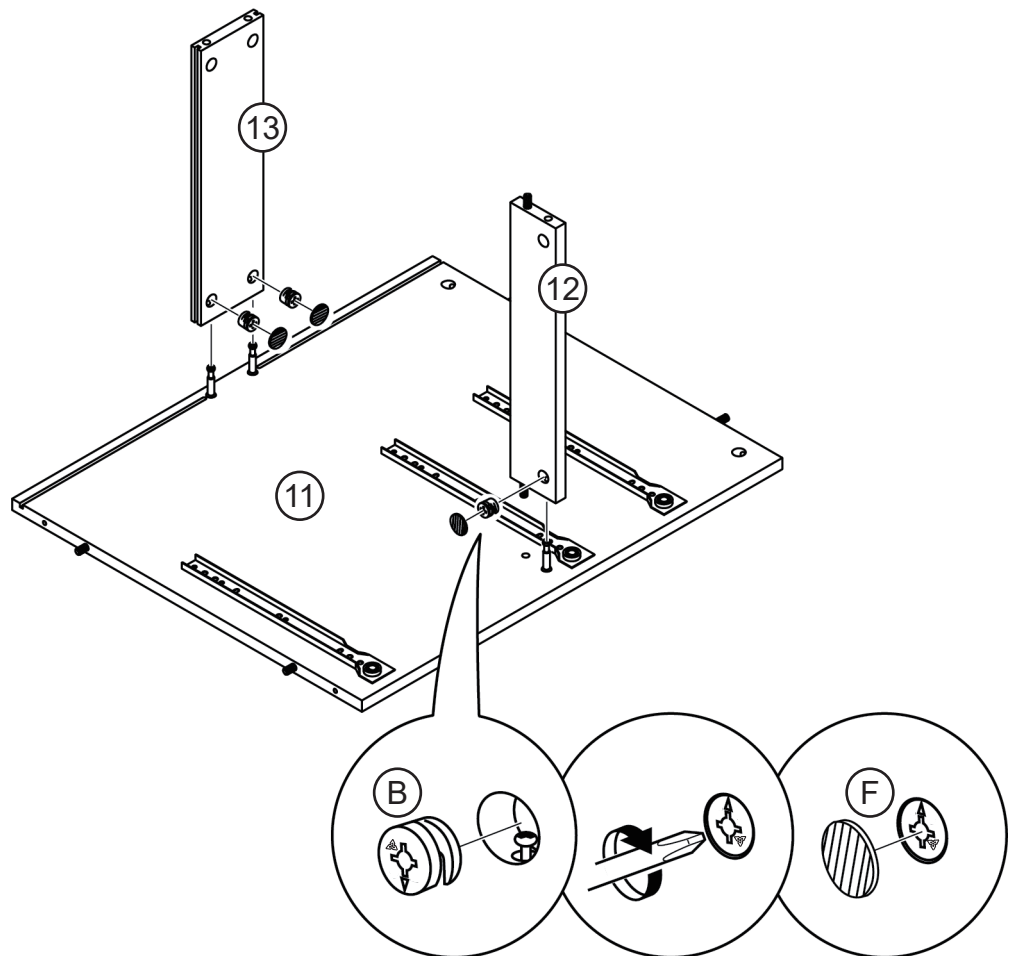
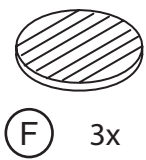
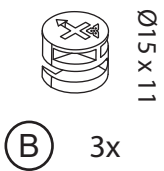
12

Attach cam bolts to the drawer shelf left and right panels (10, 11).



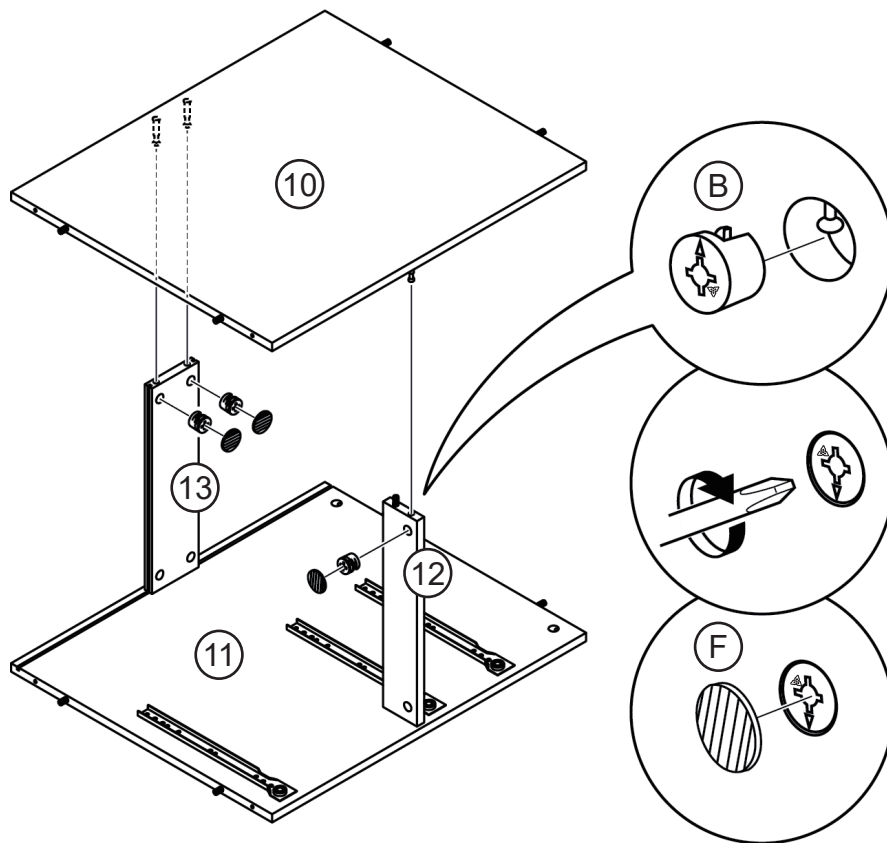
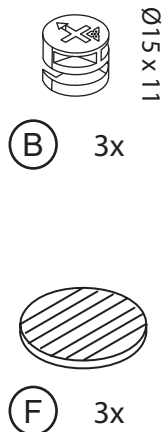
13

Assemble drawer shelf dividers (12, 13) to the drawer shelf right panel (11).



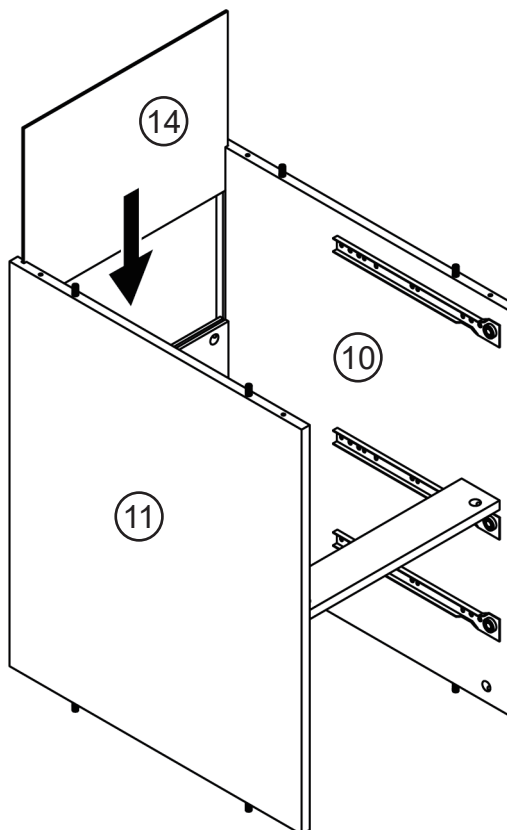
14

Assemble the drawer shelf left panel (10) to the other side of the drawer shelf dividers (12, 13).



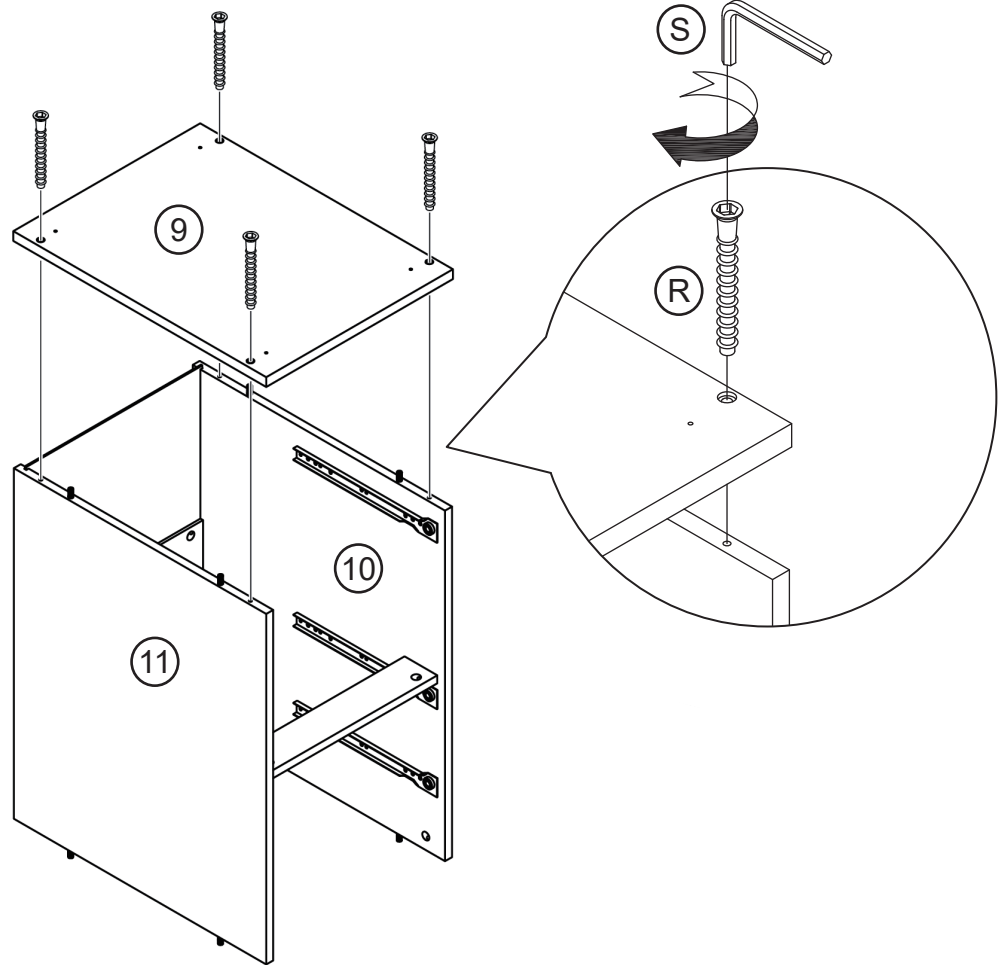
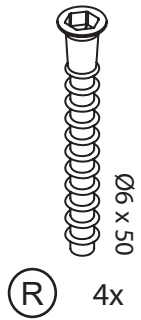
15

Place the drawer shelf assembly upside down, then slide the drawer shelf back panel (14) between the drawer shelf side panels.



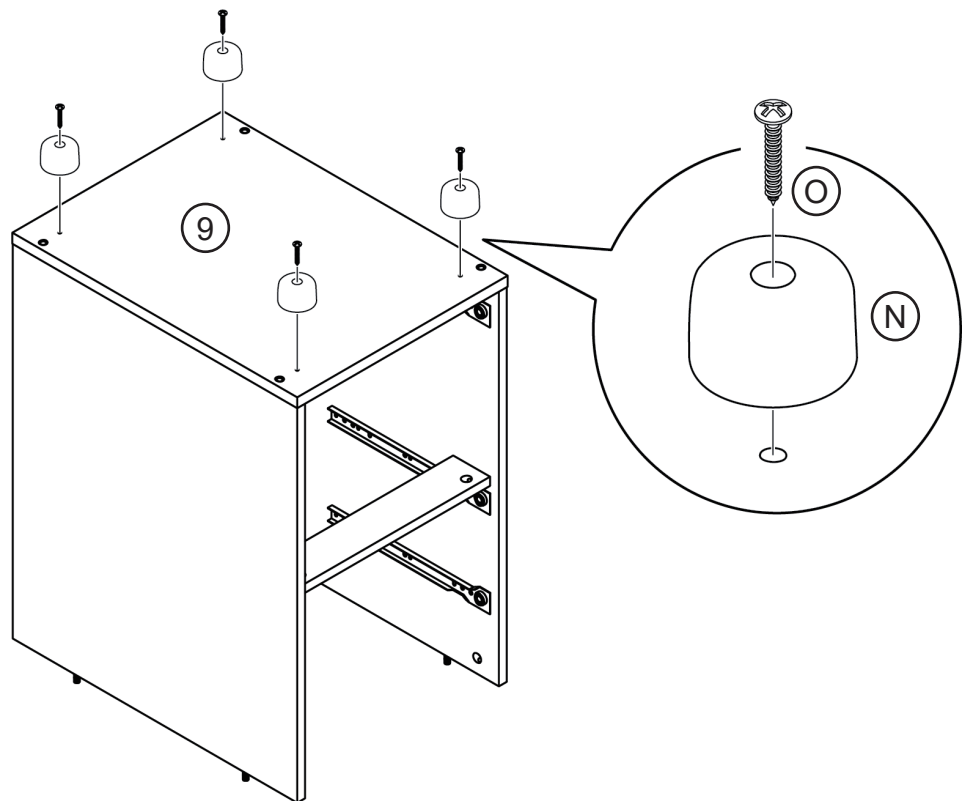
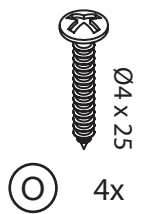
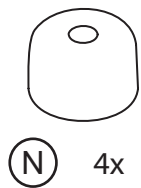
16

Assemble the drawer shelf bottom panel (9) to the drawer shelf assembly.



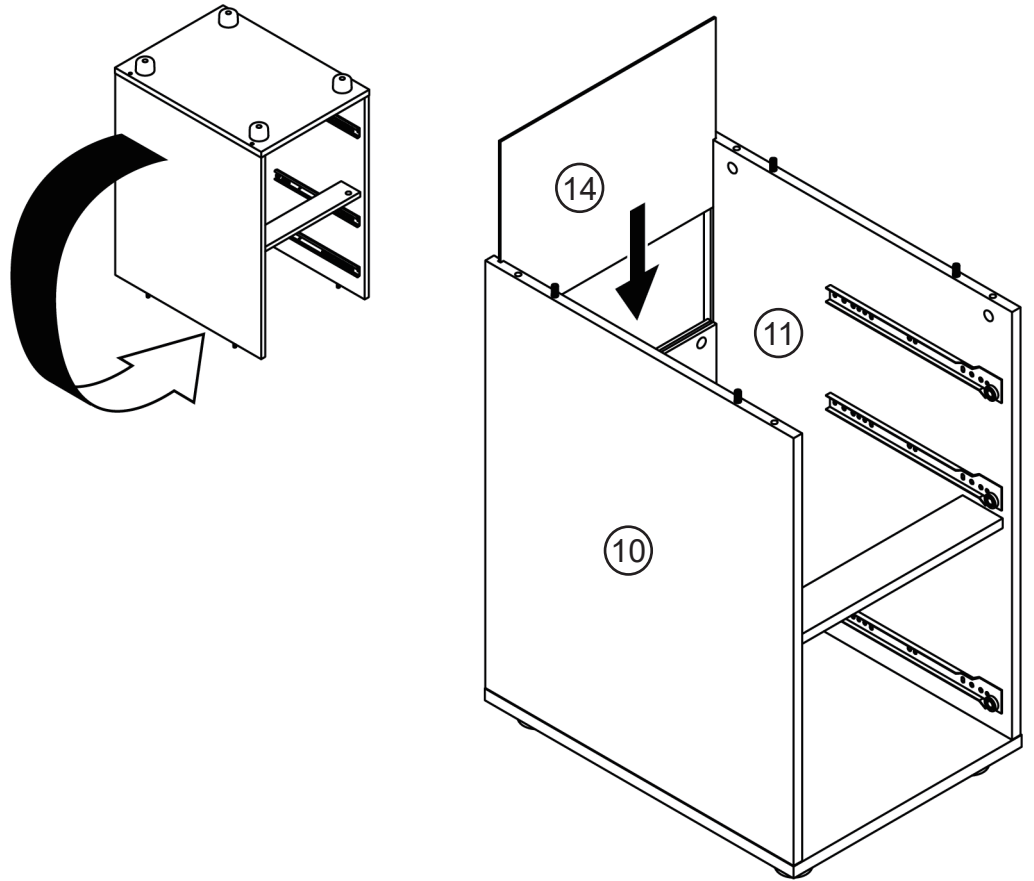
17

Attach legs to the drawer shelf bottom panel (9).



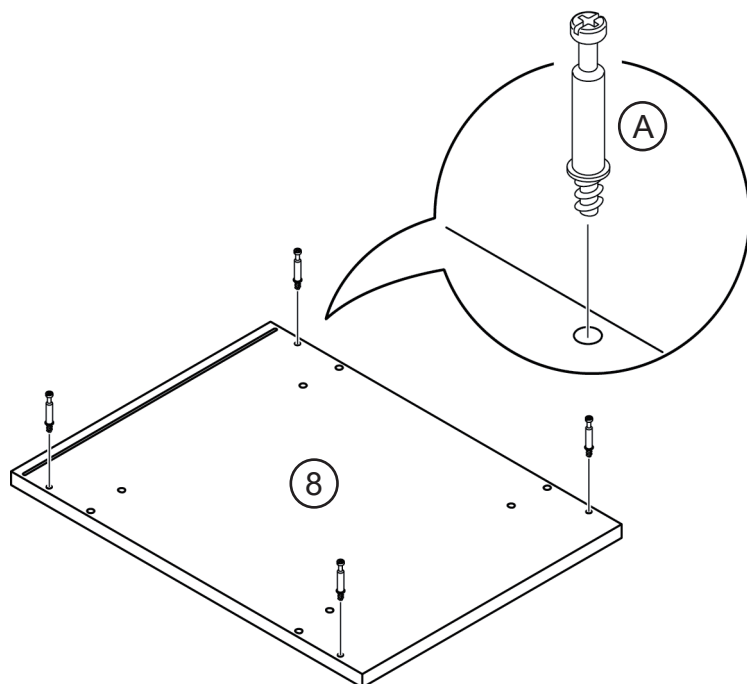
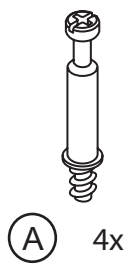
18

Turn the drawer shelf assembly back to its upright position and slide in another drawer shelf back panel (14).



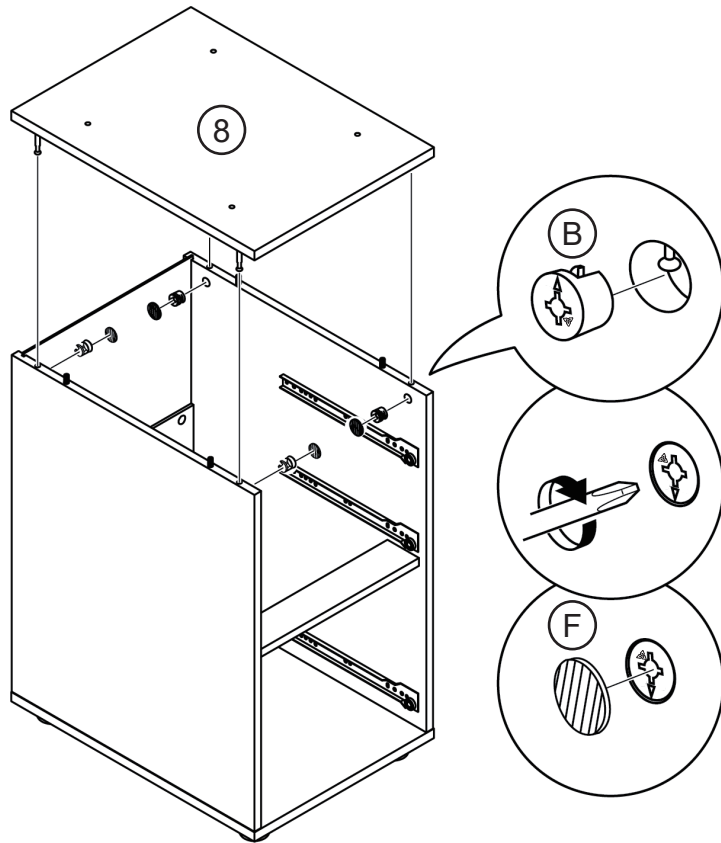
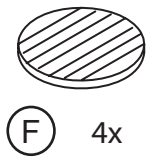
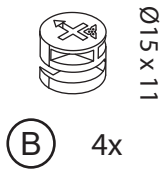
19

Attach cam bolts to the drawer shelf top panel (8).



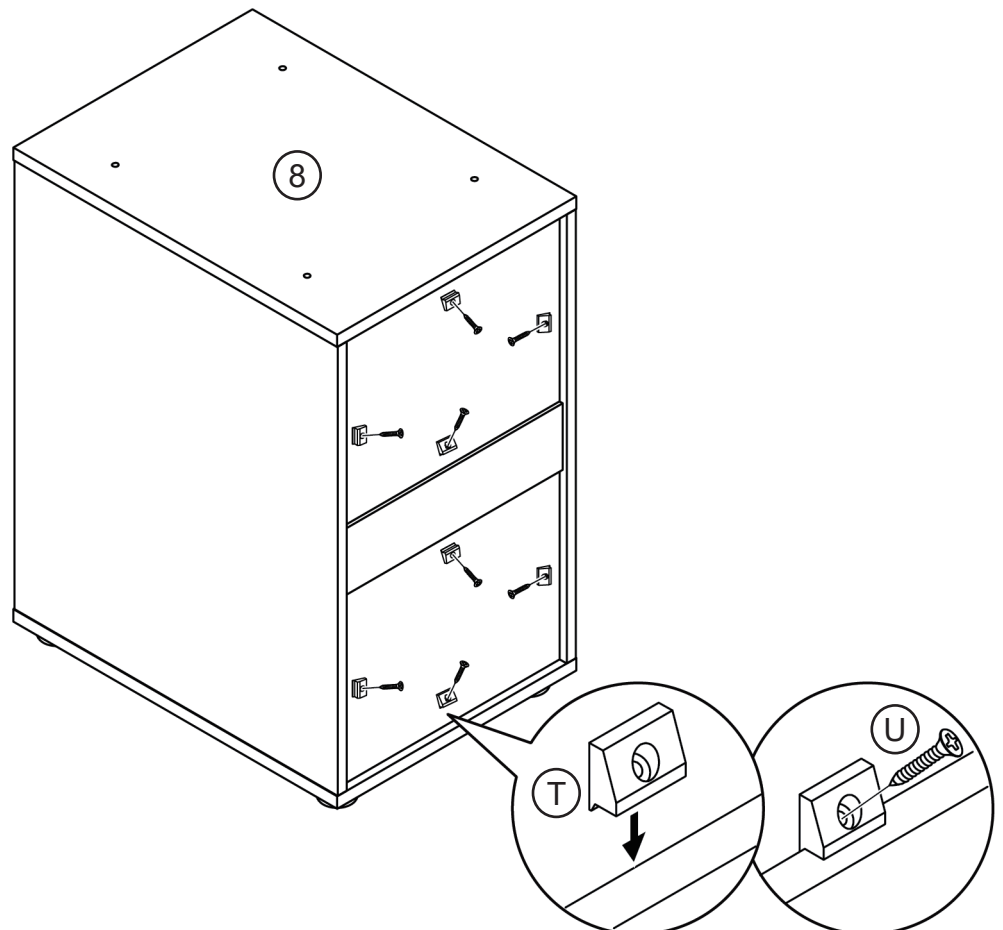
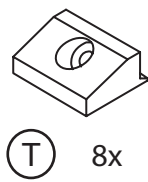
20

Assemble the drawer shelf top panel (8) onto the drawer shelf assembly.



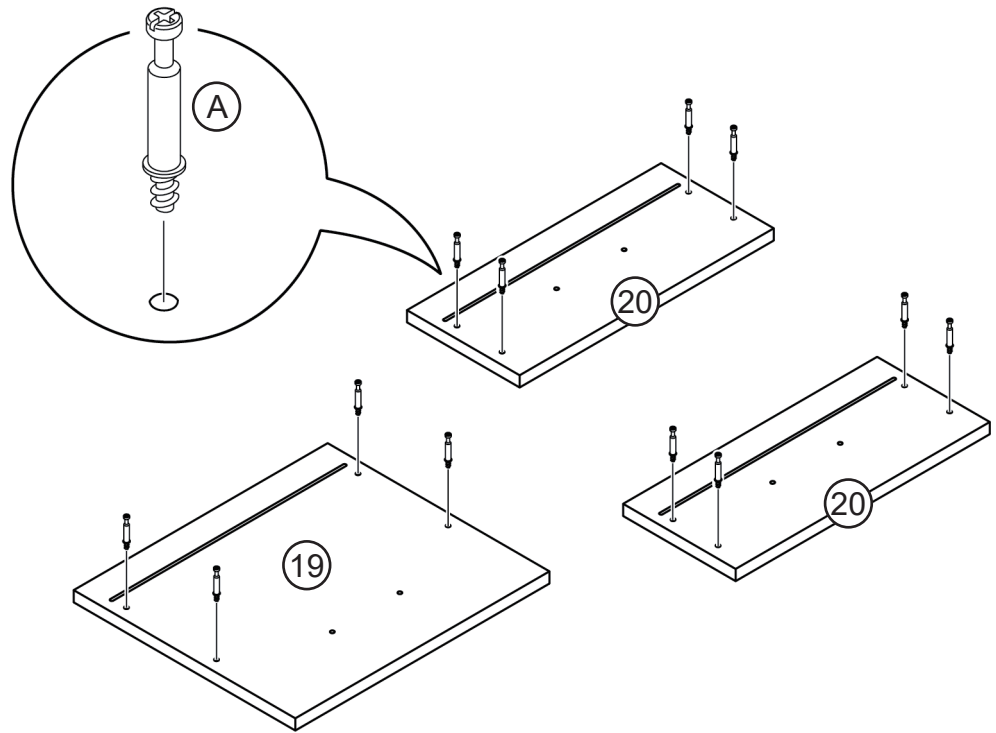
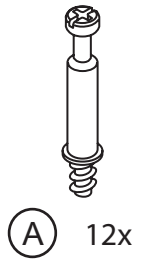
21

Secure the back panels in place.



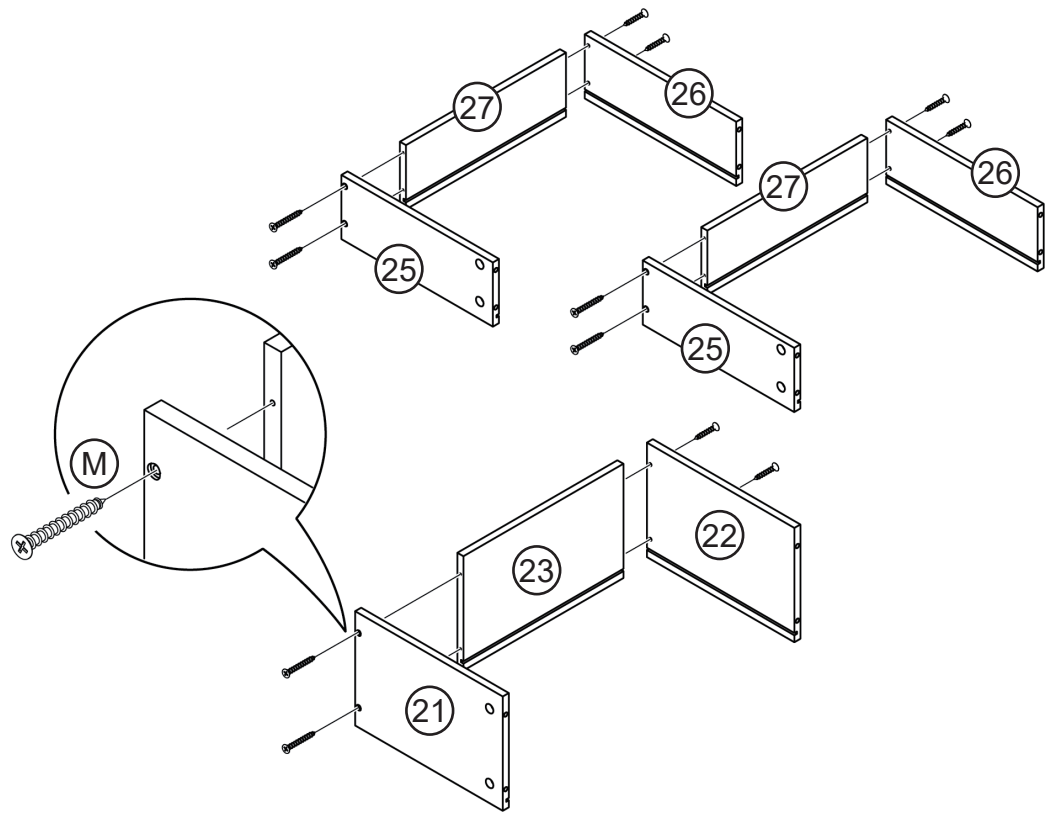
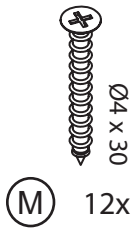
22

Attach cam bolts to the drawer front panels (19, 20).

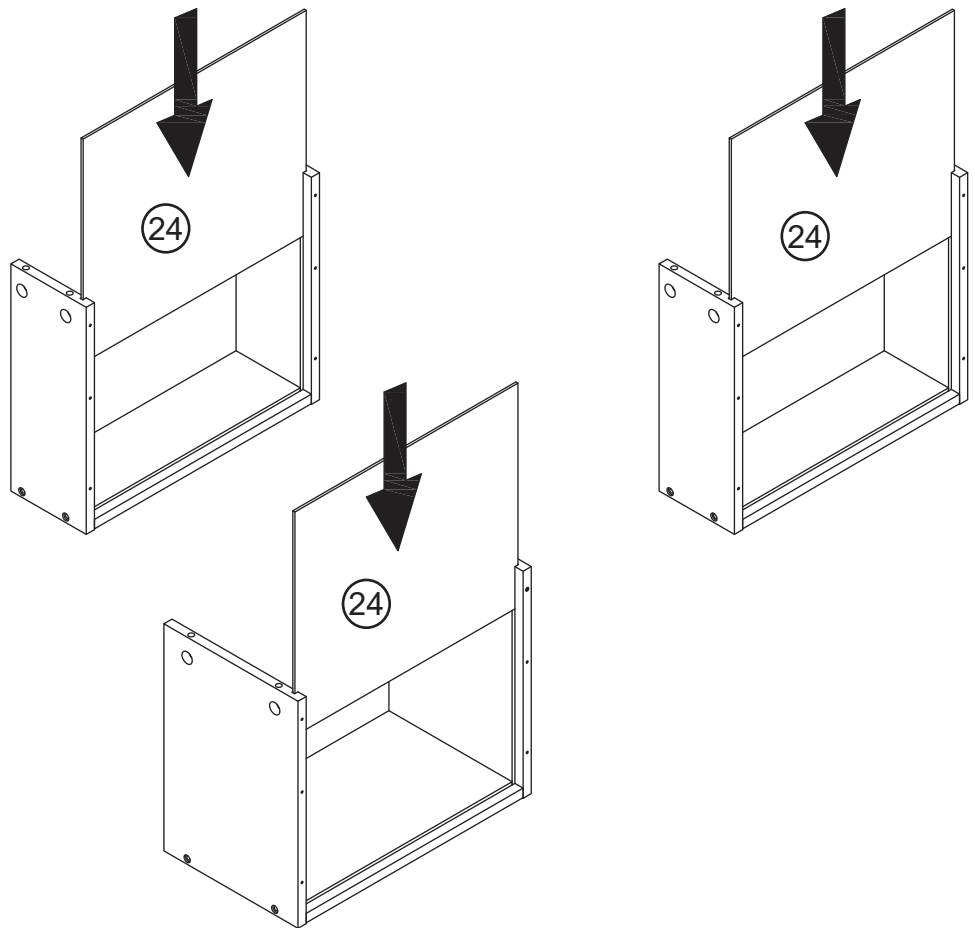


23

Assemble large drawer back panel (23) between the large drawer side panels (21, 22), and the small drawer back panels (27) between the small drawer side panels (25, 26).

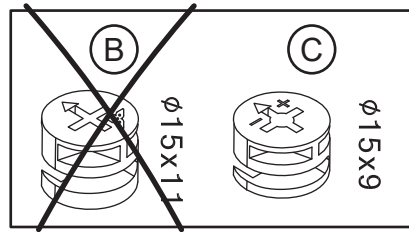
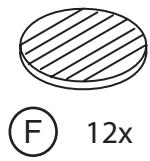
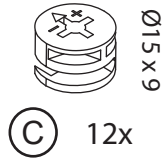


Slide drawer bottom panels (24) to the drawer assemblies.

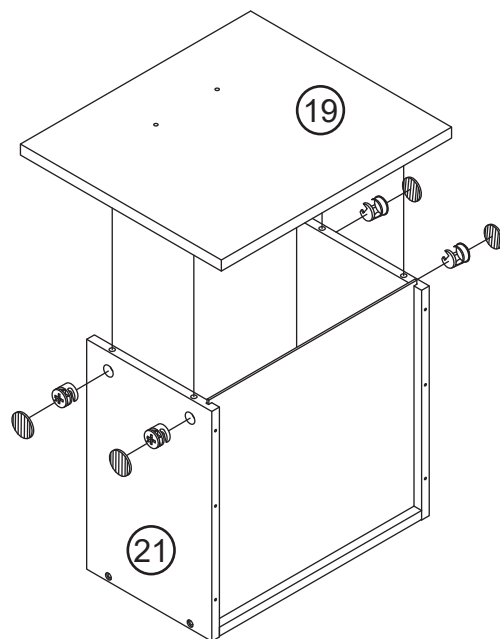
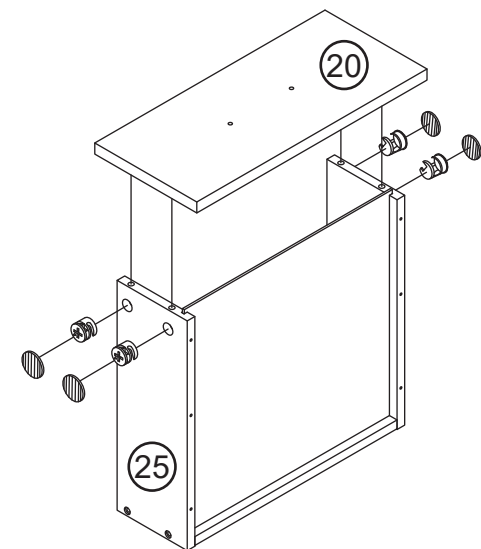
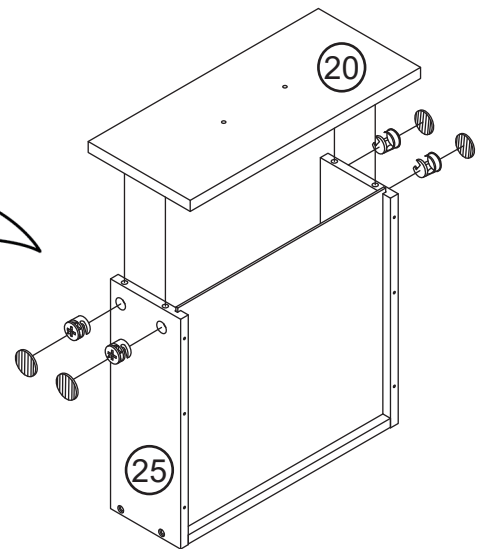
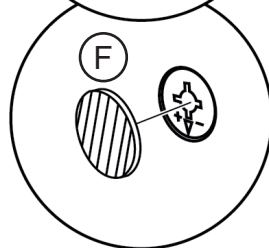
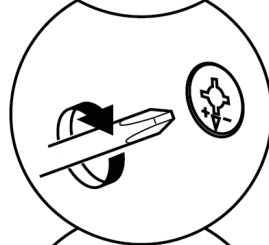
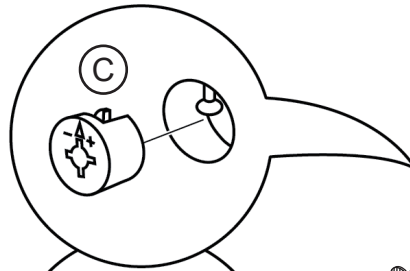


25

Attach large drawer front panel (19) to the large drawer, and then the small drawer front panels (20) to the small drawers.



Note: Make sure to use the correct hardware.

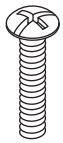


26

Attach drawer handles to the drawer front panels.

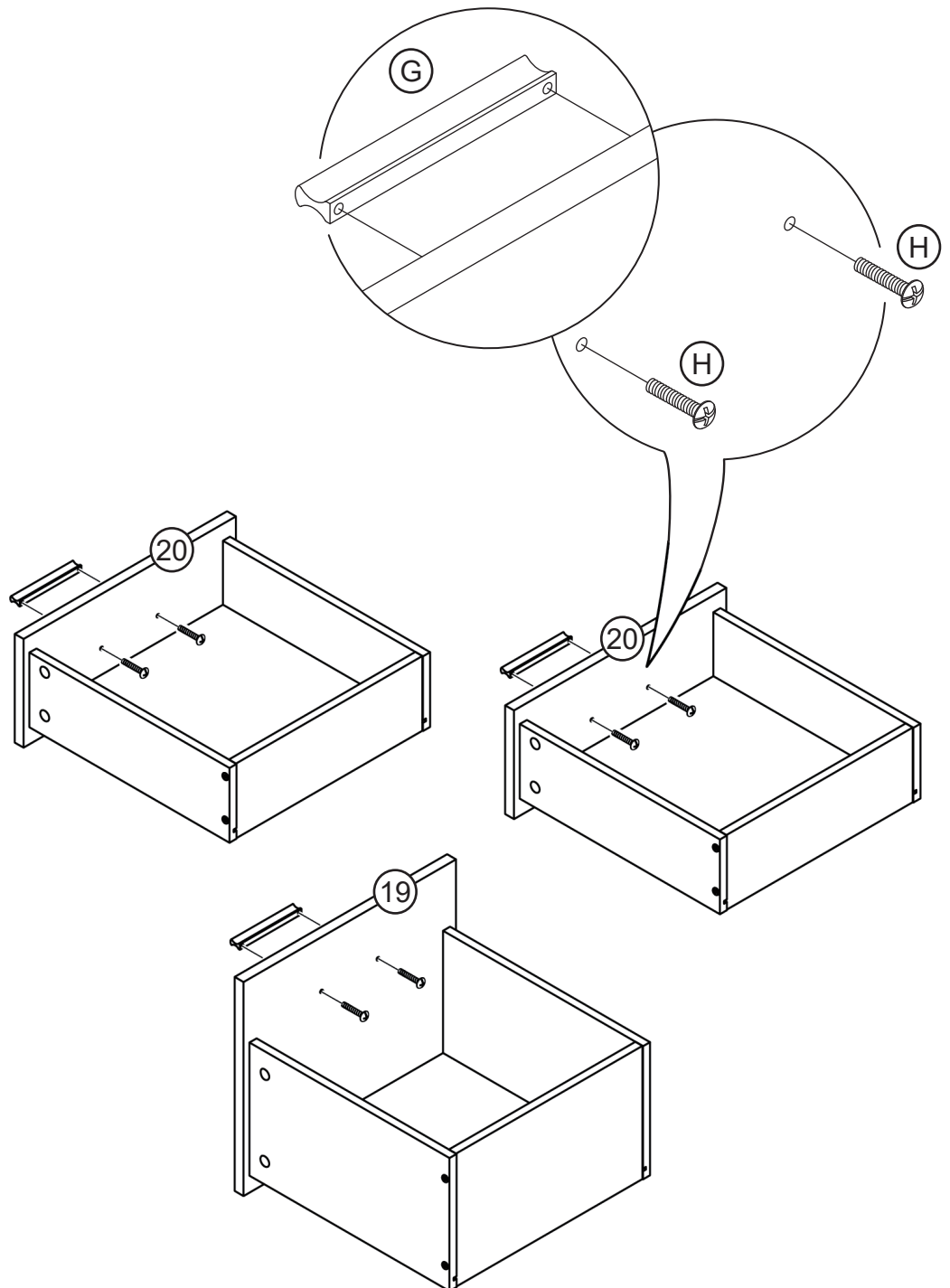


(G) 3x



5/32" x 18

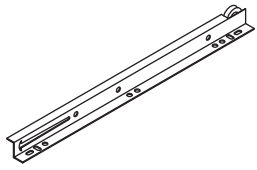
(H) 6x



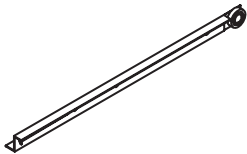
27

Place drawers upside down, and assemble drawer sliders to the drawers.

Note: Make sure to insert screws in the correct opening.



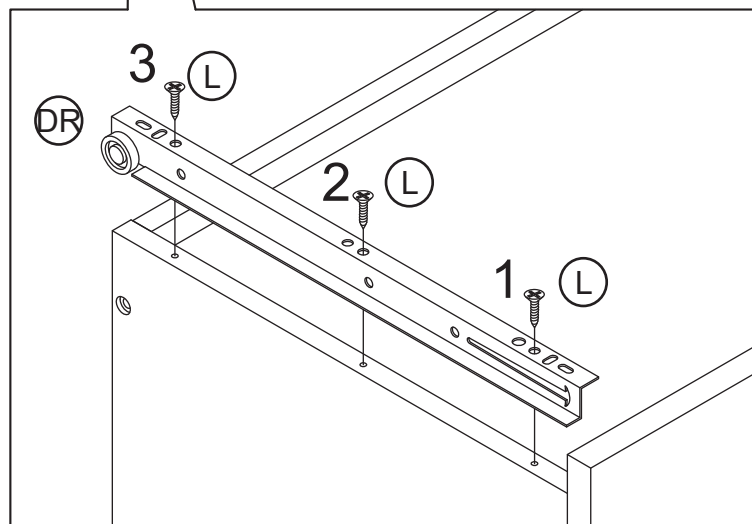
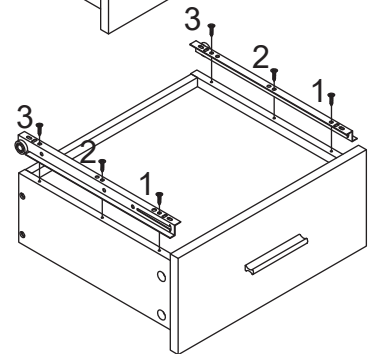
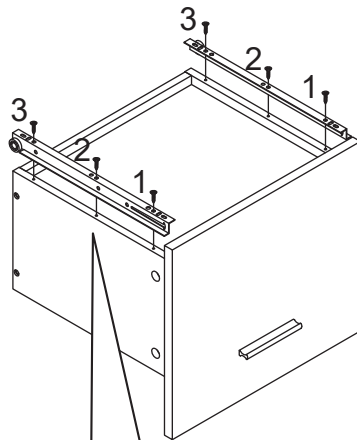
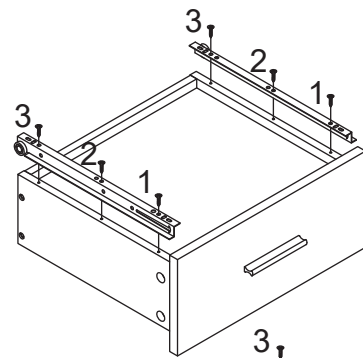
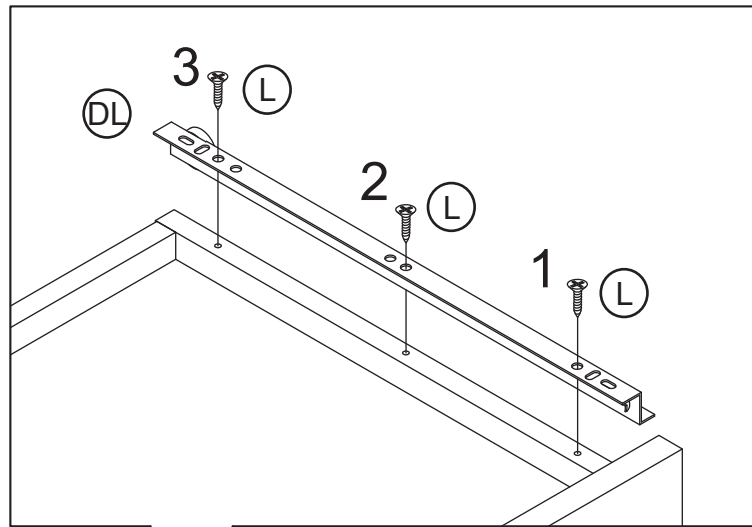
DL 3x



DR 3x

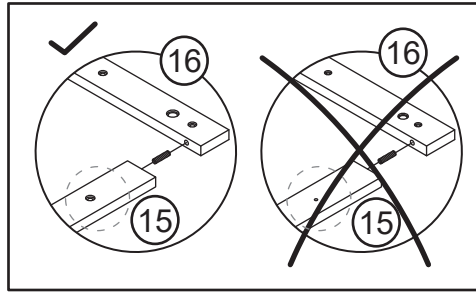
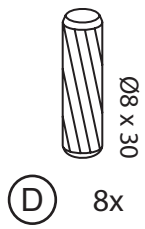


L 18x

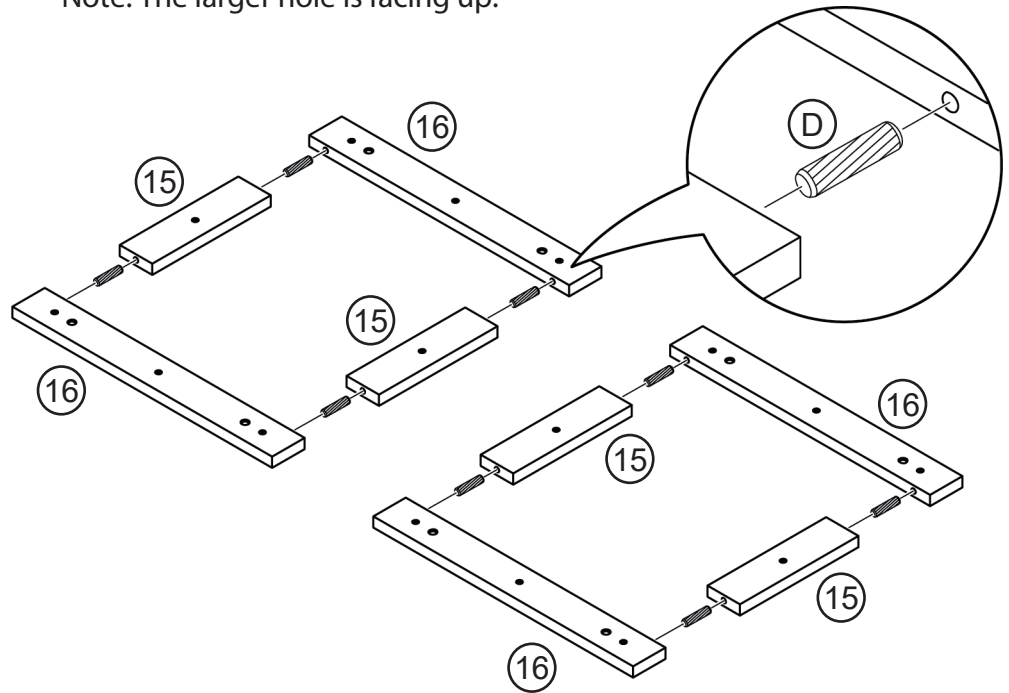


28

Assemble short spacer strips (15) between the long spacer strips (16).

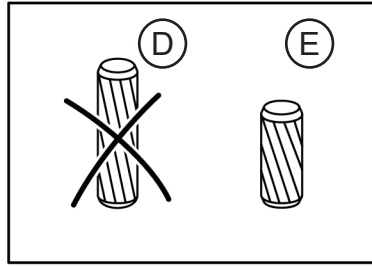
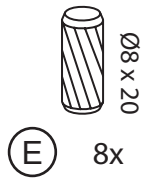


Note: The larger hole is facing up.

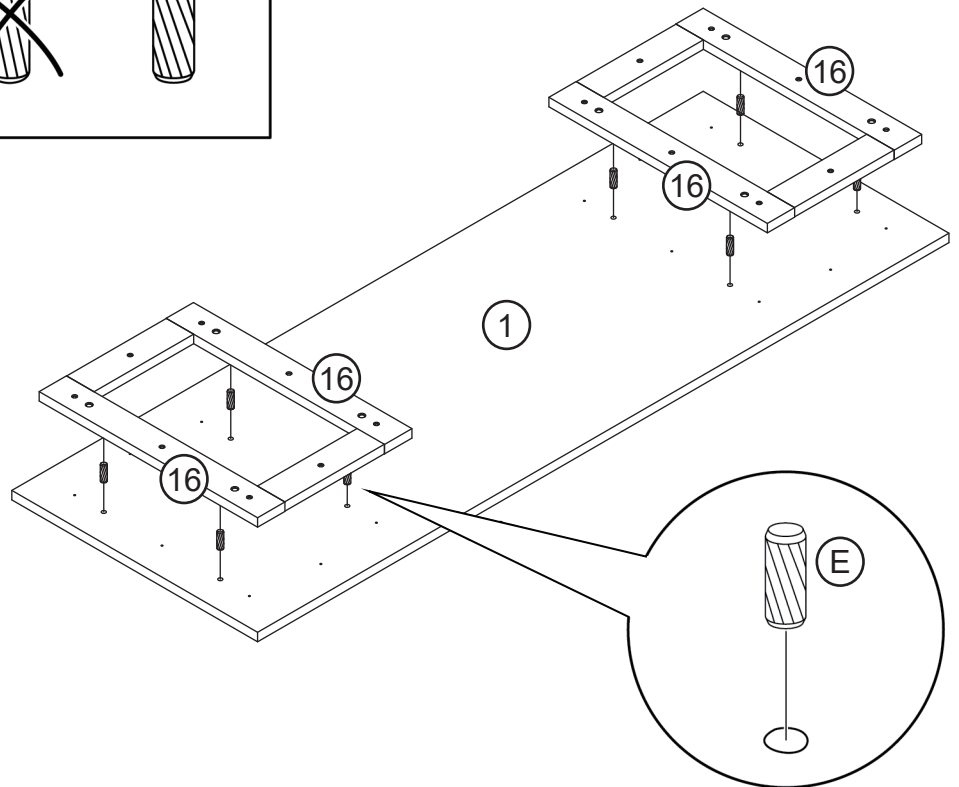


29

Attach the spacers to the table top panel (1).

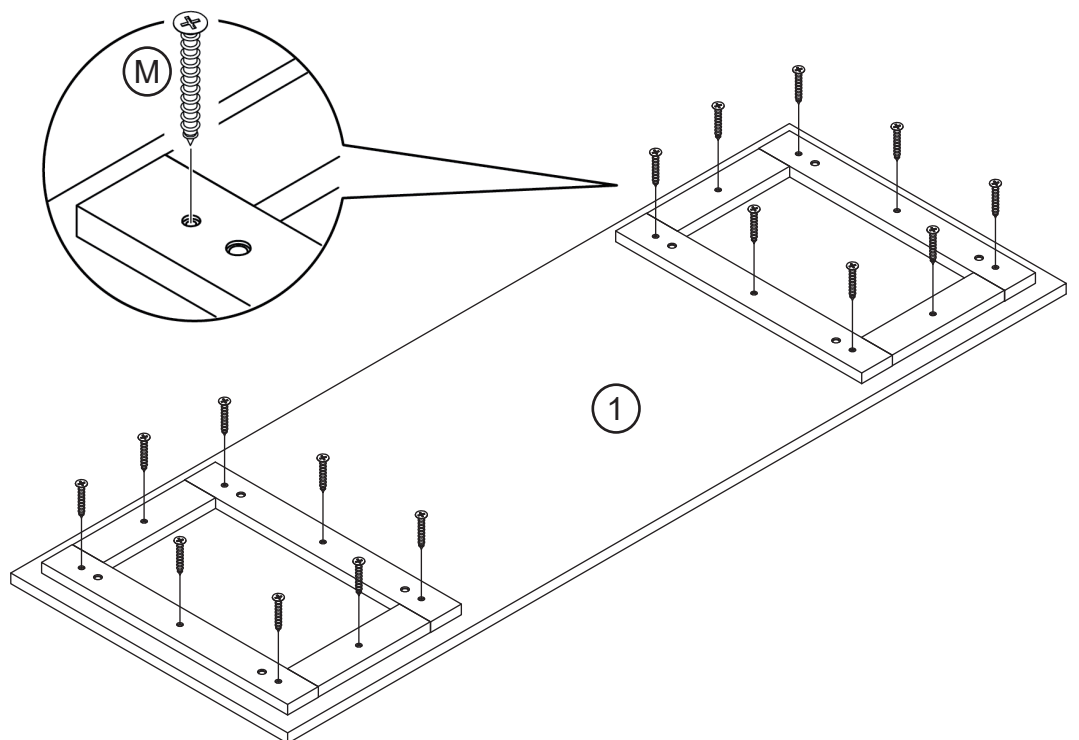
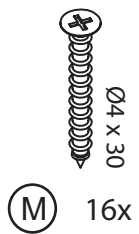


Note: Make sure to use the correct hardware.

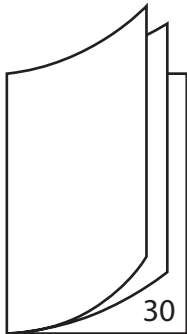
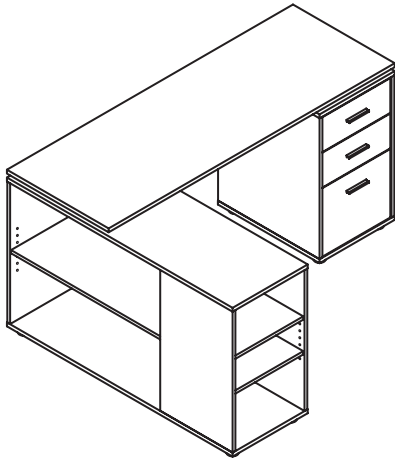


30

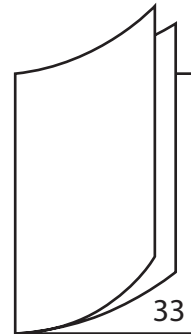
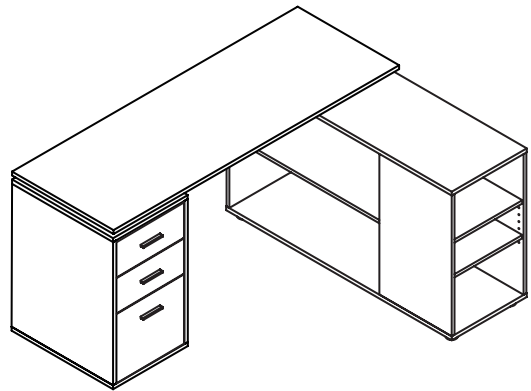
Secure the spacers in place.



Configuration 1



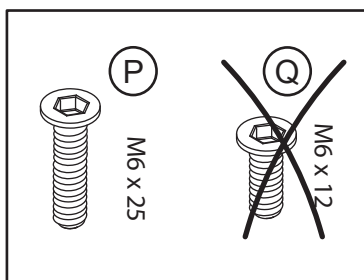
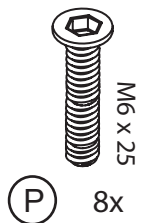
Configuration 2



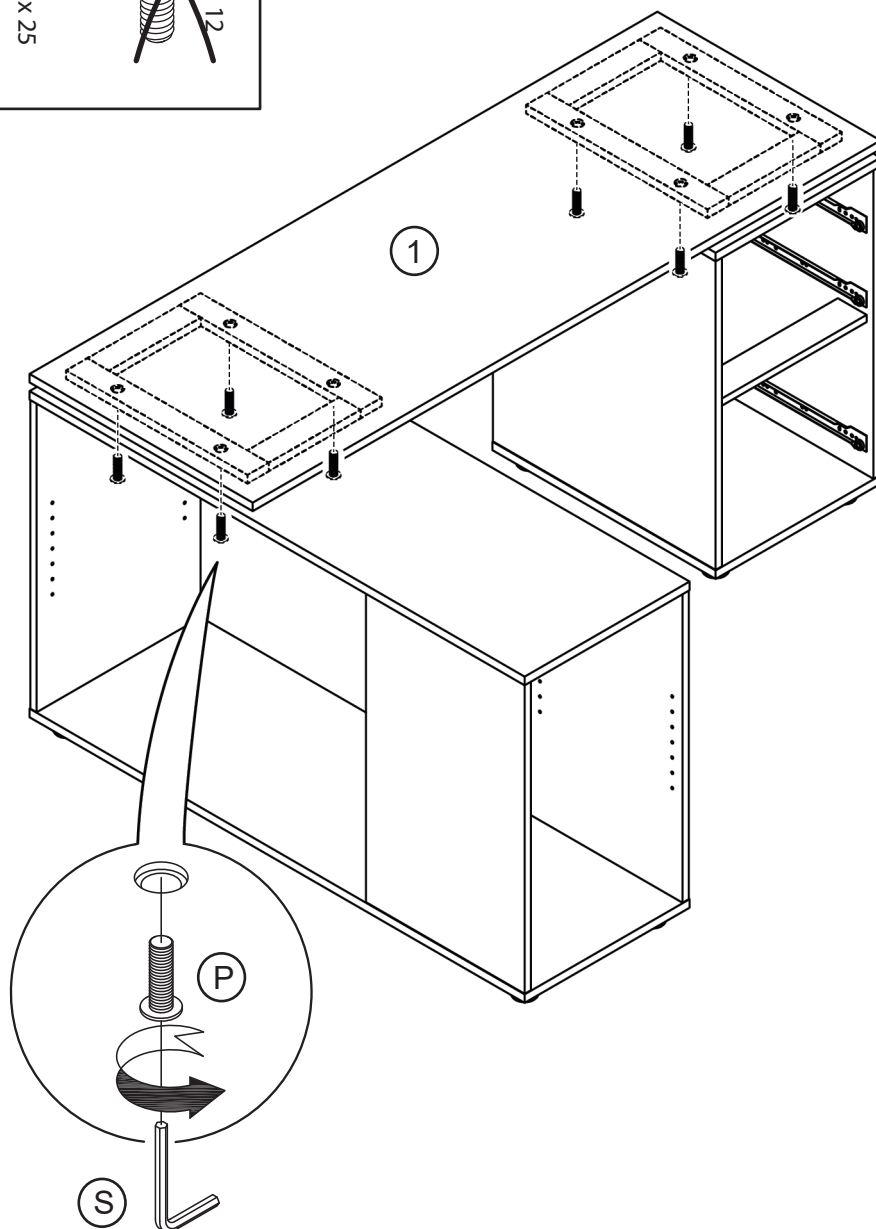
CONFIGURATION 1

31

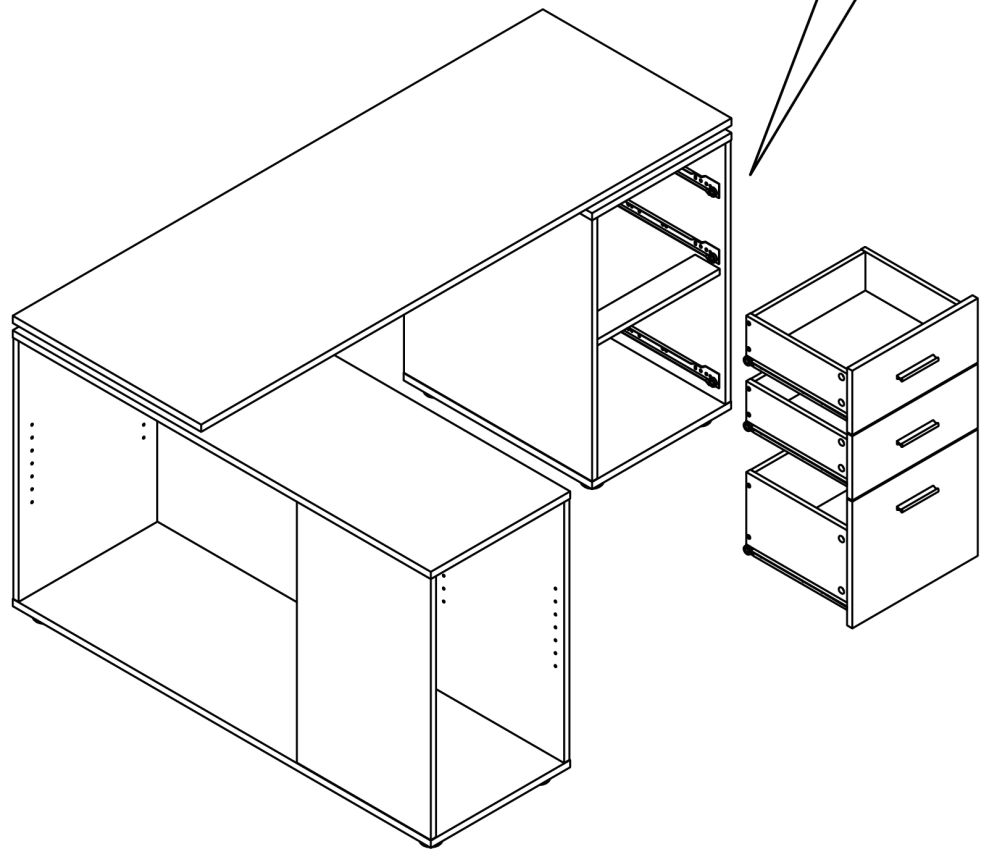
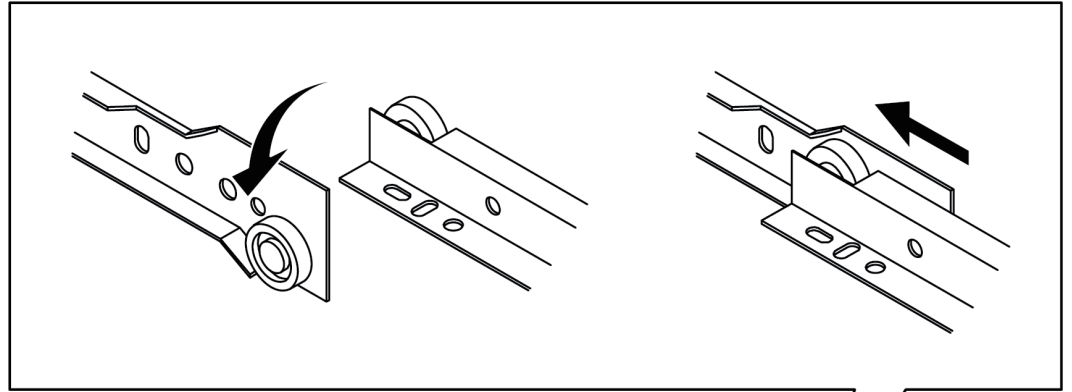
Assemble the table top panel (1) on top of the side shelf and the drawer shelf.



Note: Make sure to use the correct hardware.

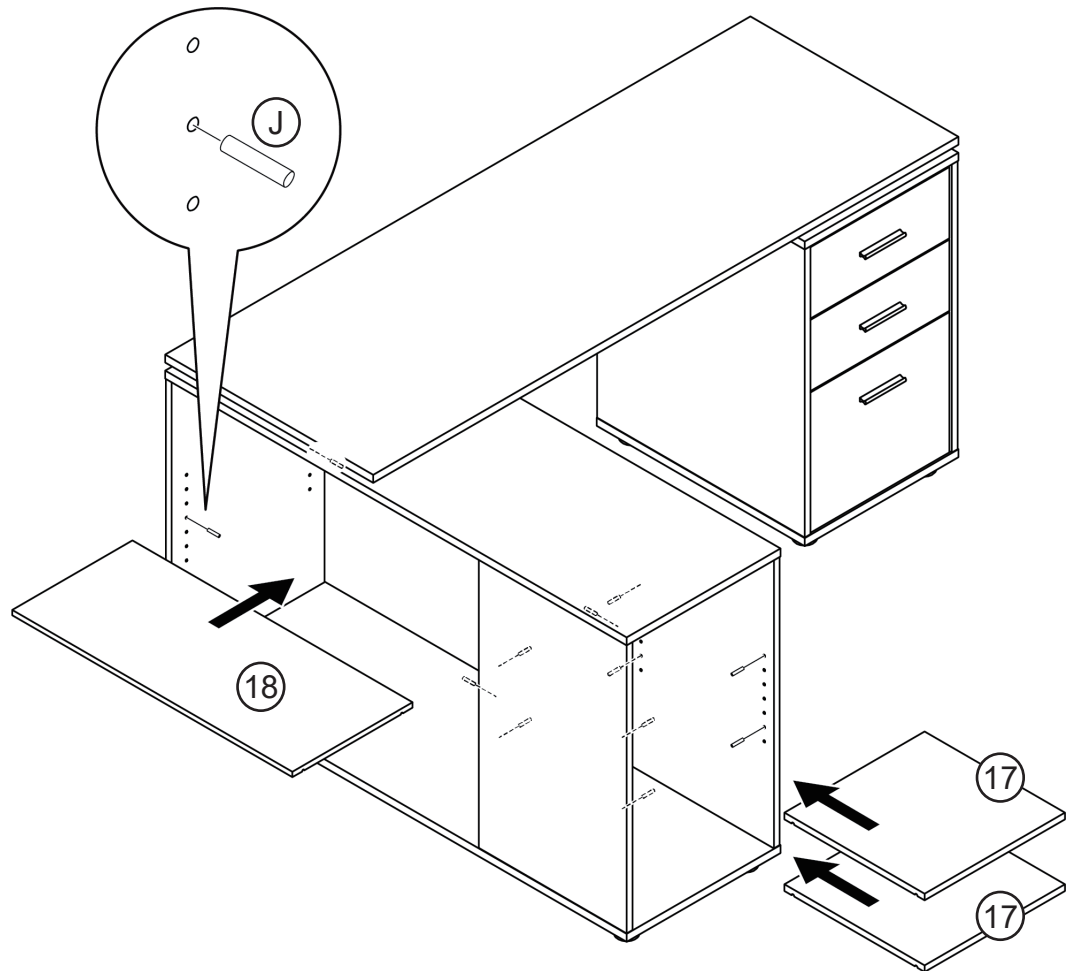
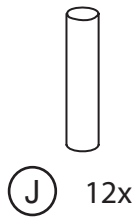


Slide drawers to the slider rails.



33

Insert shelf pegs into the side shelf and put storage shelf panels (17, 18) onto the pegs.

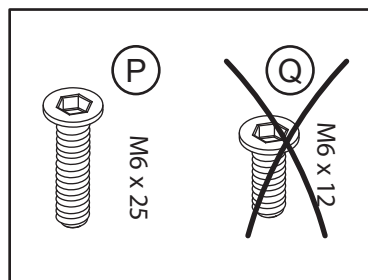
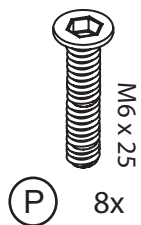


YOU'RE FINISHED!

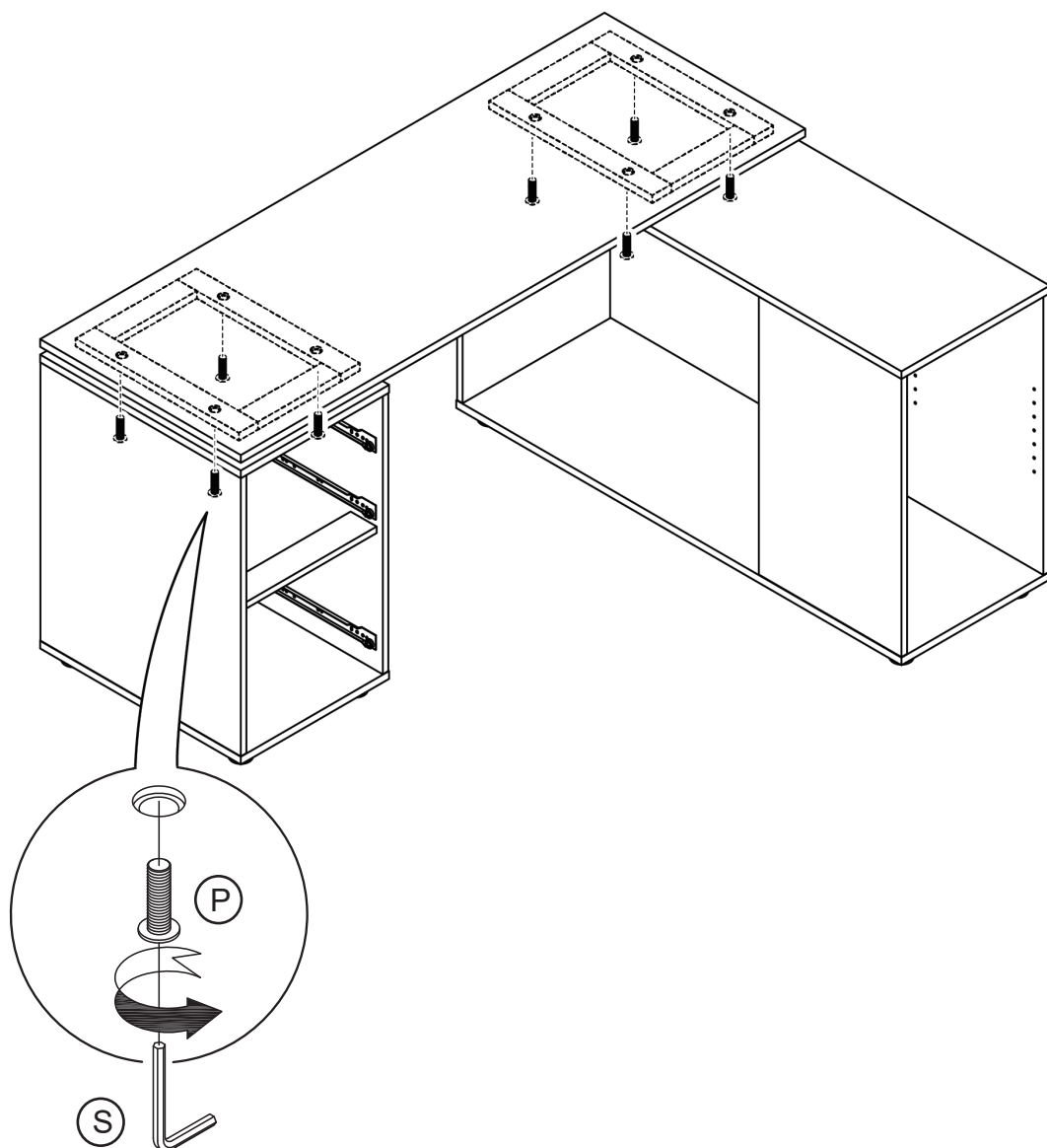
CONFIGURATION 2

31

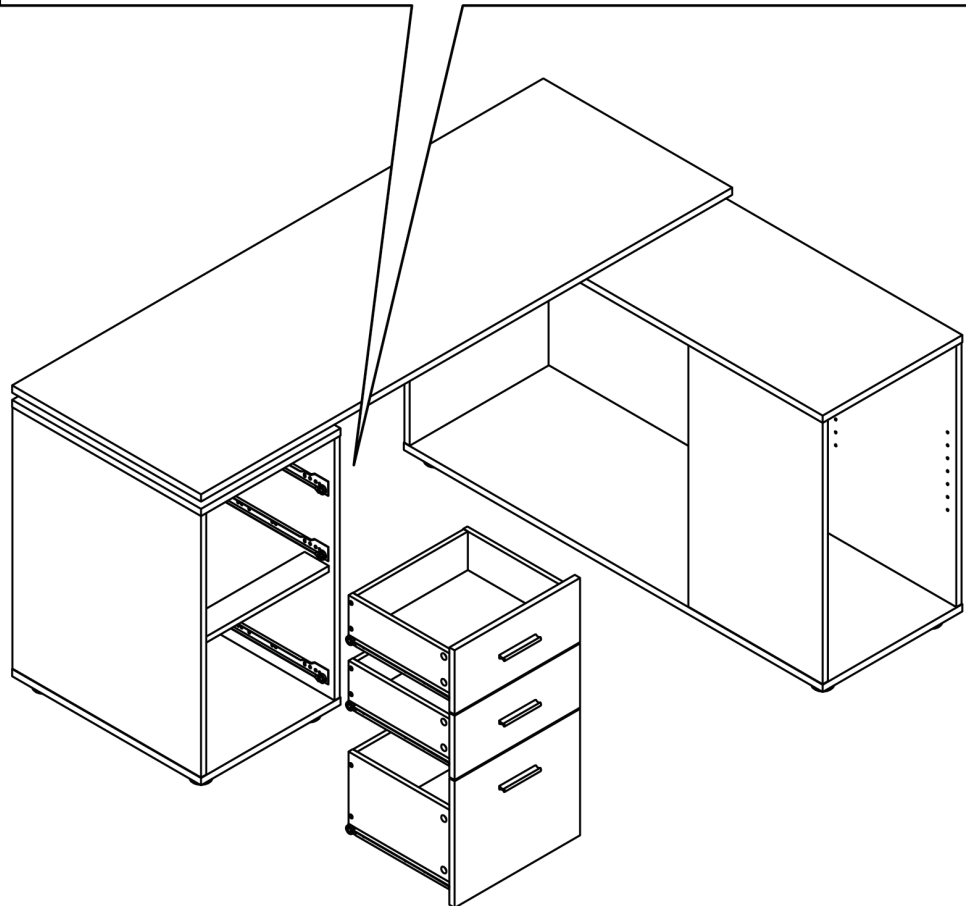
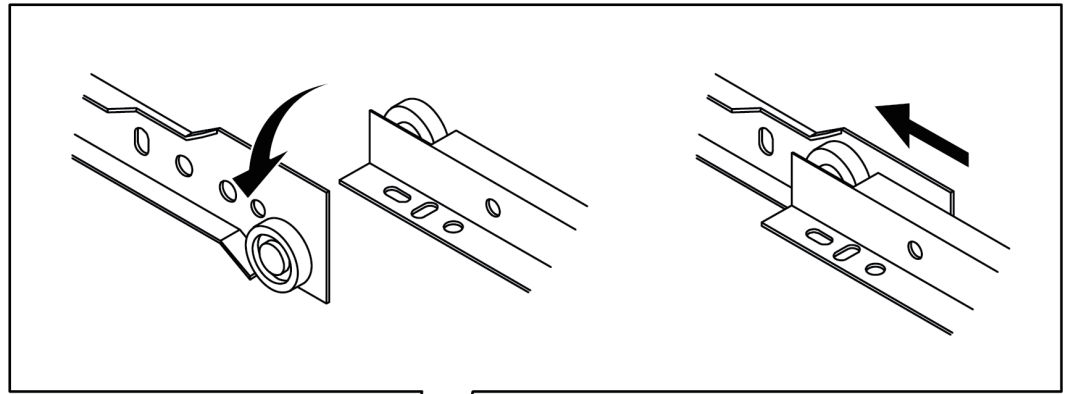
Assemble the table top panel (1) on top of the side shelf and the drawer shelf.



Note: Make sure to use the correct hardware.

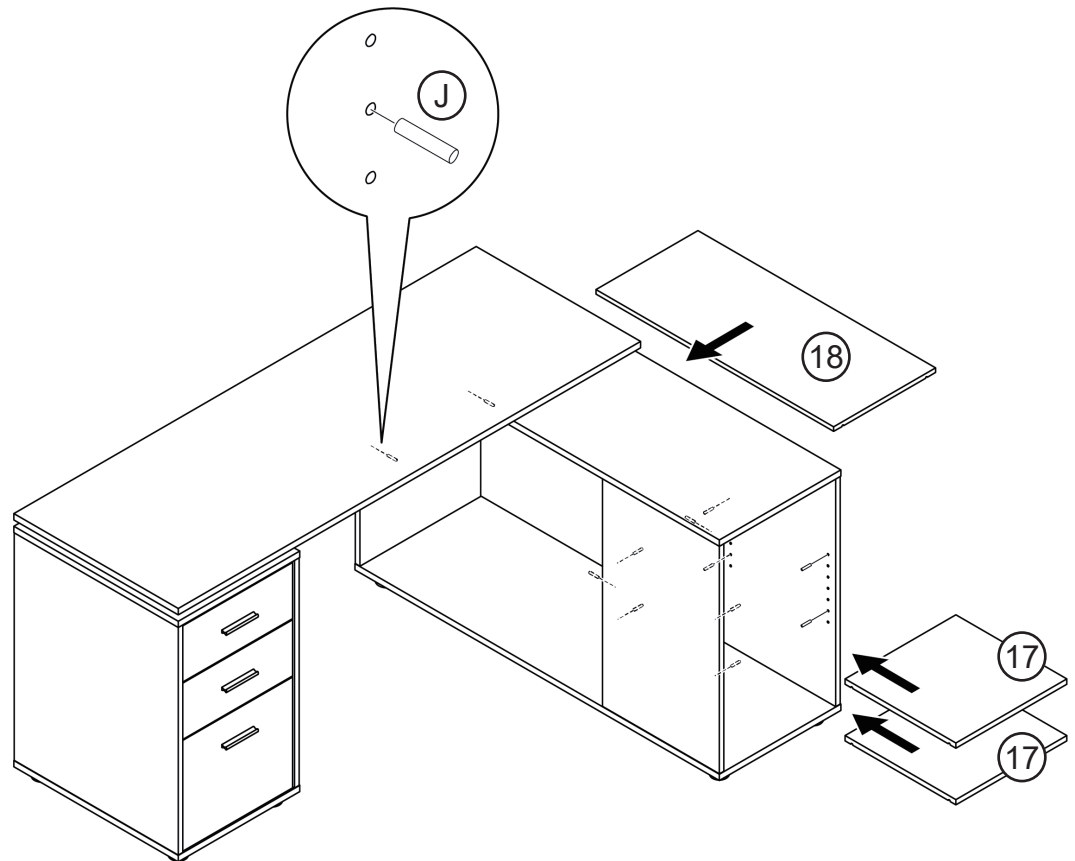
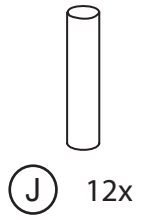


Slide drawers to the slider rails.

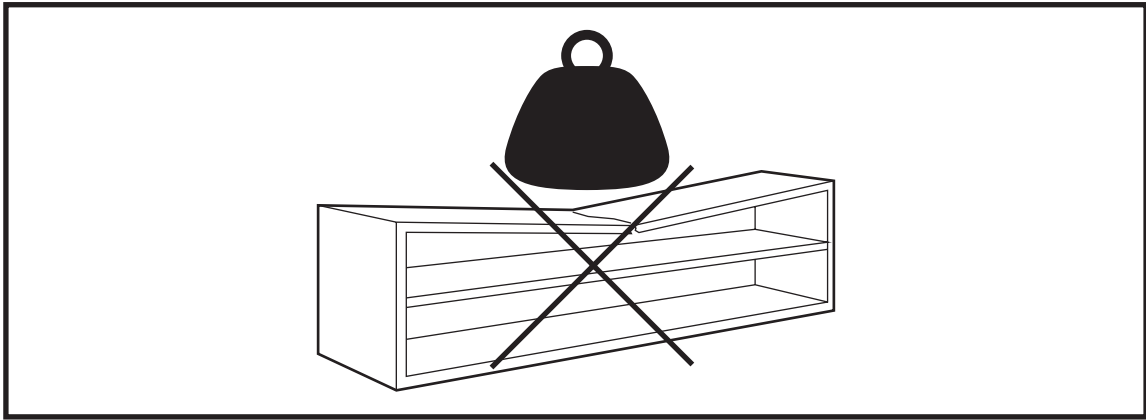


33

Insert shelf pegs into the side shelf and put storage shelf panels (17, 18) onto the pegs.



YOU'RE FINISHED!



Warning

Only place items on top of the product if they meet the recommended size and weight limits.

Climbing on, stepping on, or placing overweighted objects on the product may cause property damage and/or injuries.

Items placed onto this product must be resting on a support surface without hanging over the edges.

FURNITURE CARE AND MAINTENANCE

Medium - Density Fiberboard

Thank you for your purchase. We want your item to last as long as possible. To ensure the product gives you years of longevity, please follow the recommendations in this care and maintenance guide.



MAINTENANCE

- Tighten all bolts and screws again within the first 2 weeks of assembly.
- Check the tightness of all bolts every 2 months and tighten them if necessary.



CLEANING

- Clean the surface of the MDF (medium - density fiberboard) with a lightly dampened cloth.
- A small amount of mild soap can be used if necessary.
- Dry the surface immediately after cleaning.

- ⚠ DO NOT use bleach or alcohol to clean the surface.
- ⚠ DO NOT apply wood treatment on parts made with MDF.

MDF will swell and distort when exposed to water damage. Make sure to dry the furniture immediately after cleaning.

⚠ WARNING

The manufacturer and seller are not responsible for any and all liability relating to personal injury, property damage or losses, whether direct, indirect, or incidental, resulting from the incorrect attachment, improper use, inadequate maintenance, unapproved modification or neglect of this product.

WARRANTY

Our products come with a 1-year warranty from the date of delivery. **Register your product on our website to enjoy our limited lifetime warranty!**

AFTER-SALE SERVICE



Encounter any difficulties or missing parts?



Contact us or email us



We will send you replacement.



Hassle free!
No need to worry about repackaging and sending your item back.