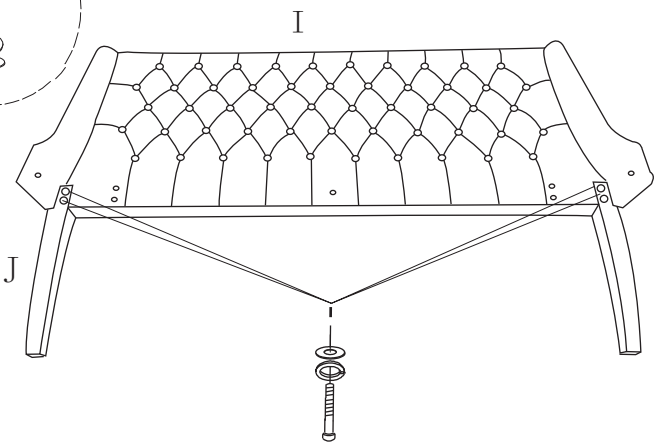
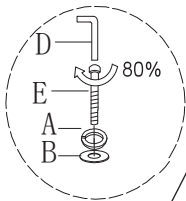


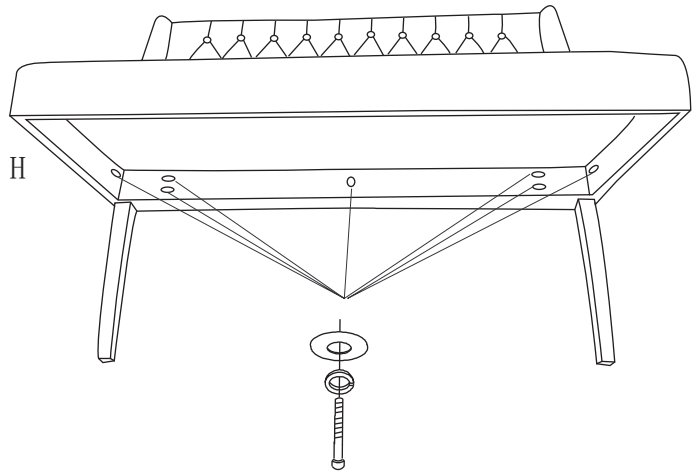
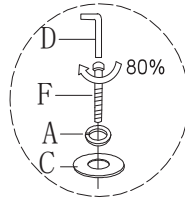
ASSEMBLY INSTRUCTION

1



Insert J into I. Secure them with A, B, and E in the order indicated by the diagram. Use D to tighten E to 80%.

2



Install H to I. Secure them with A, C, and F in the order indicated by the diagram. Use D to tighten F to 80%.

A*15



B*4



C*11



D*1



E*4



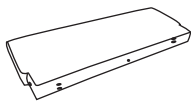
F*7



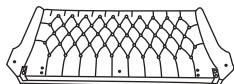
G*4



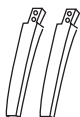
H*1



I*1



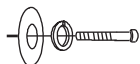
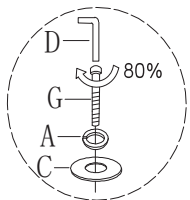
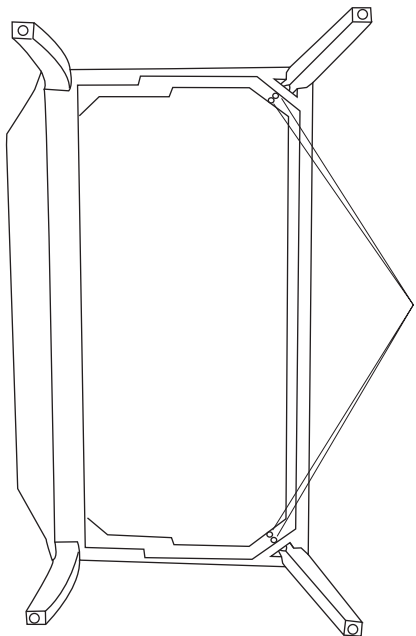
J*2



K*2

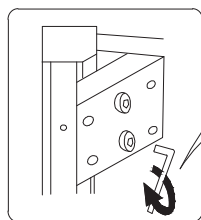
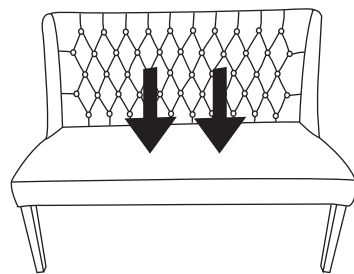
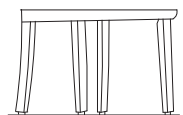
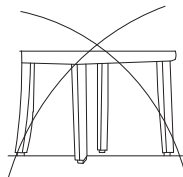


3



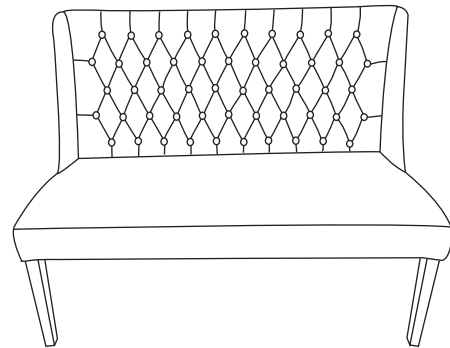
Insert the front legs K into the front end of the cushion bottom. Secure and tighten them to 80% using A, G, and C.

4



100%

Press down on the cushion to align four legs on the same horizontal plane. Tighten each screw to 100% using D.



Finish.