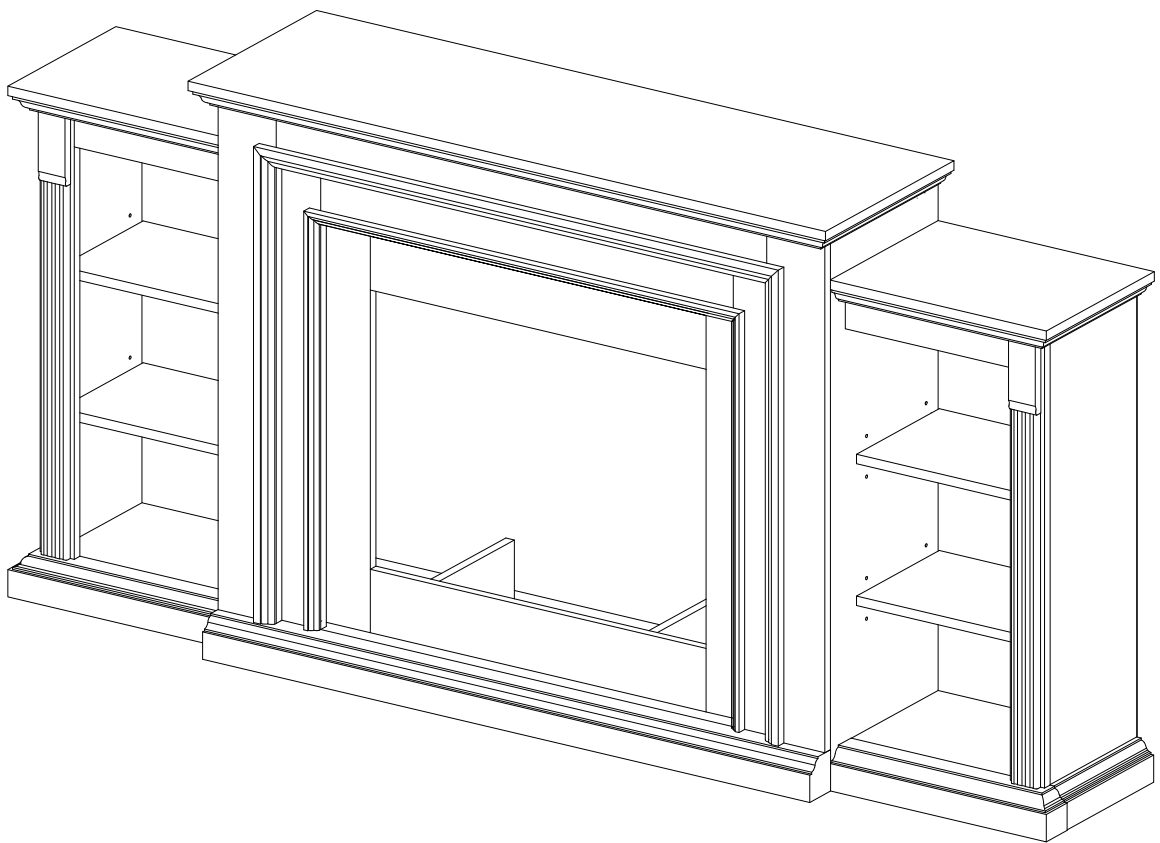
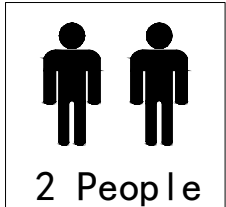


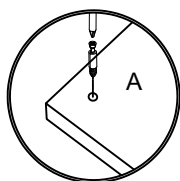
ASSEMBLY INSTRUCTIONS

ITEM:SKU220340/41

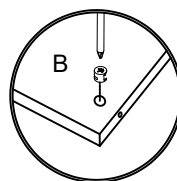


Email:ServiceSupportAMZ@126.com

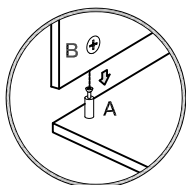
How to use the cam lock system



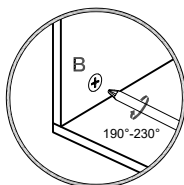
1. Screw cam bolt into panel



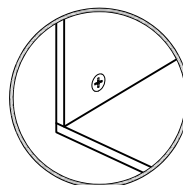
2. Push cam into panel - arrow feature on cam top points to panel edge



3. Align cam bolt(s) with cam(s) and insert all the way into cross-bored hole(s)

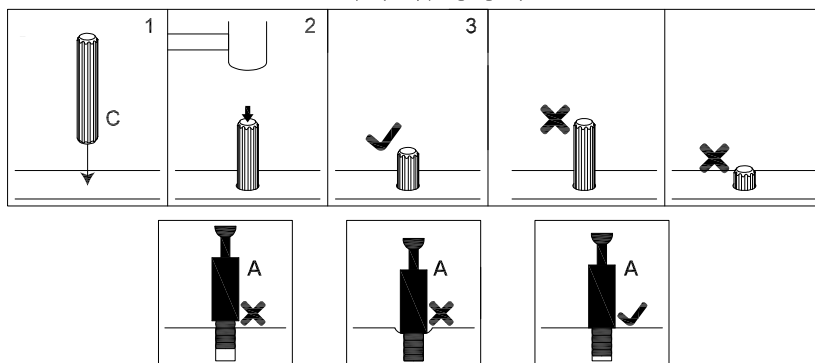


4. Rotate cam(s) clockwise 190°-230° to lock panels together



5. Panels should be tight against each other and connection should be rigid

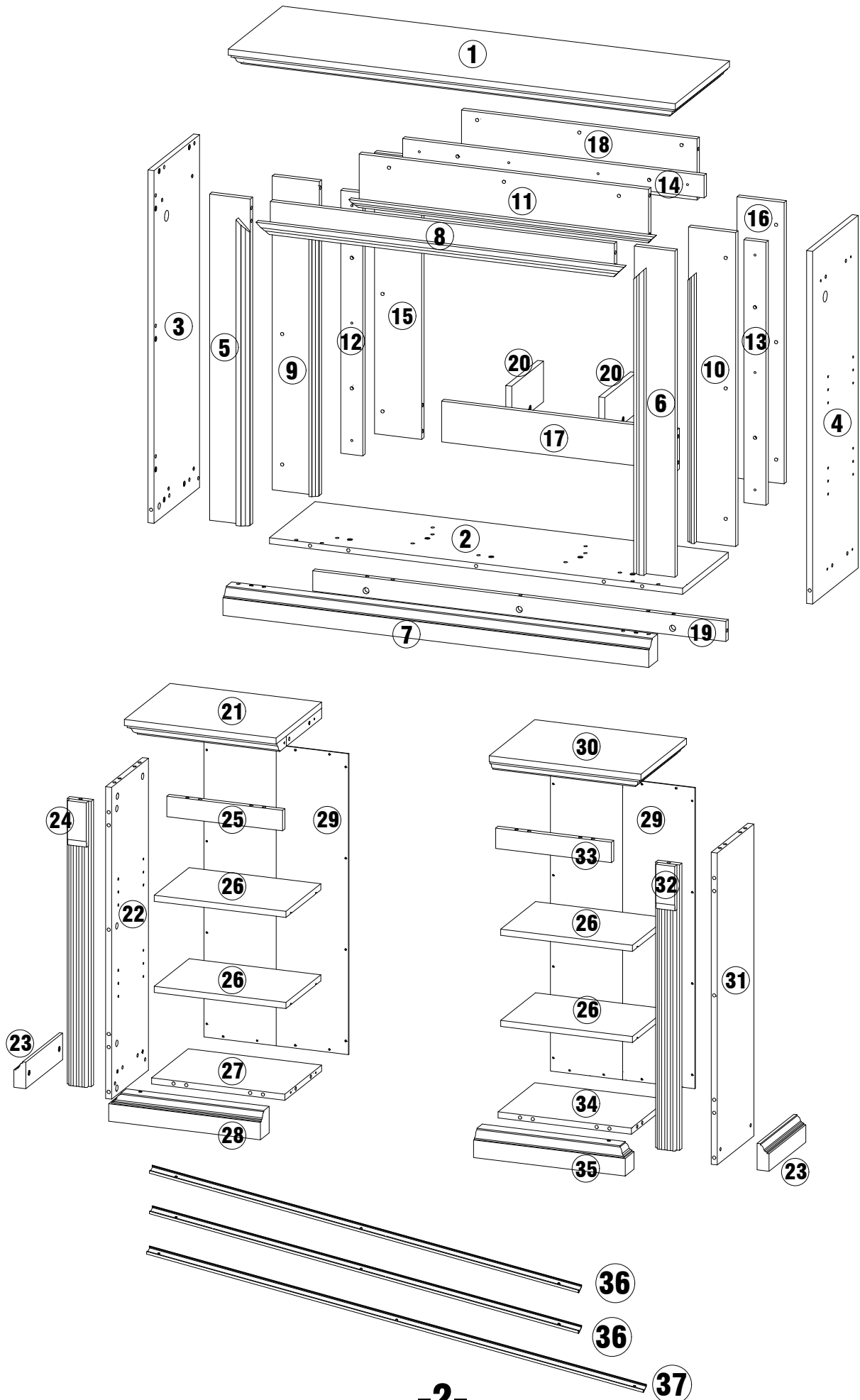
Insert the wood dowel [C] at least half way by tapping lightly with a rubber mallet, IF NECESSARY.



⚠ WARNING

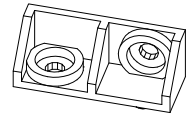
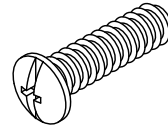
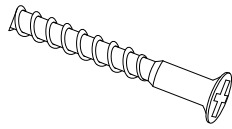
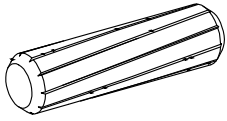
- Unit must be placed on a level surface or leveled with included hardware (when applicable).
- Do not sit or stand on or allow children to climb, sit or stand on the assembled product.
- For safety reasons, it is imperative that this unit be mounted to the wall.
- Do not use without installing the tip restraint.
- Unit can tip over causing severe injury or death.
- Do not exceed the recommended weight limits.
- Evenly distribute the weight on each level and always keep the heavier loads on the bottom.
- Before cutting, drilling or hammering into any wall or floor surface, verify the location of electrical, plumbing and gas lines. Cutting may cause serious injury.

PACKAGE INCLUDE



PACKAGE CONTENT

φ8X30MM



A

66X+2

B

8X

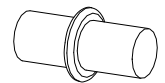
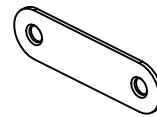
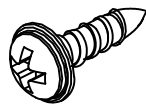
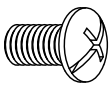
C

22X+1

D

22X+1

φ3.5X12MM



E

44X+1

F

61X+2

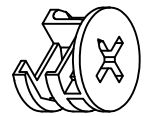
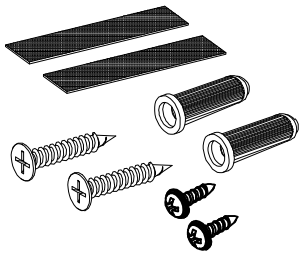
G

10X

H

16X+1

φ5X20MM



J

1X

K

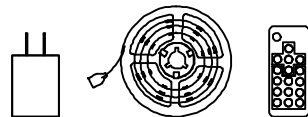
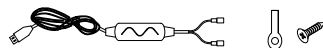
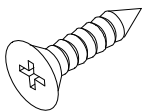
6X

L

34X+2

M

34X+2



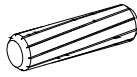


N

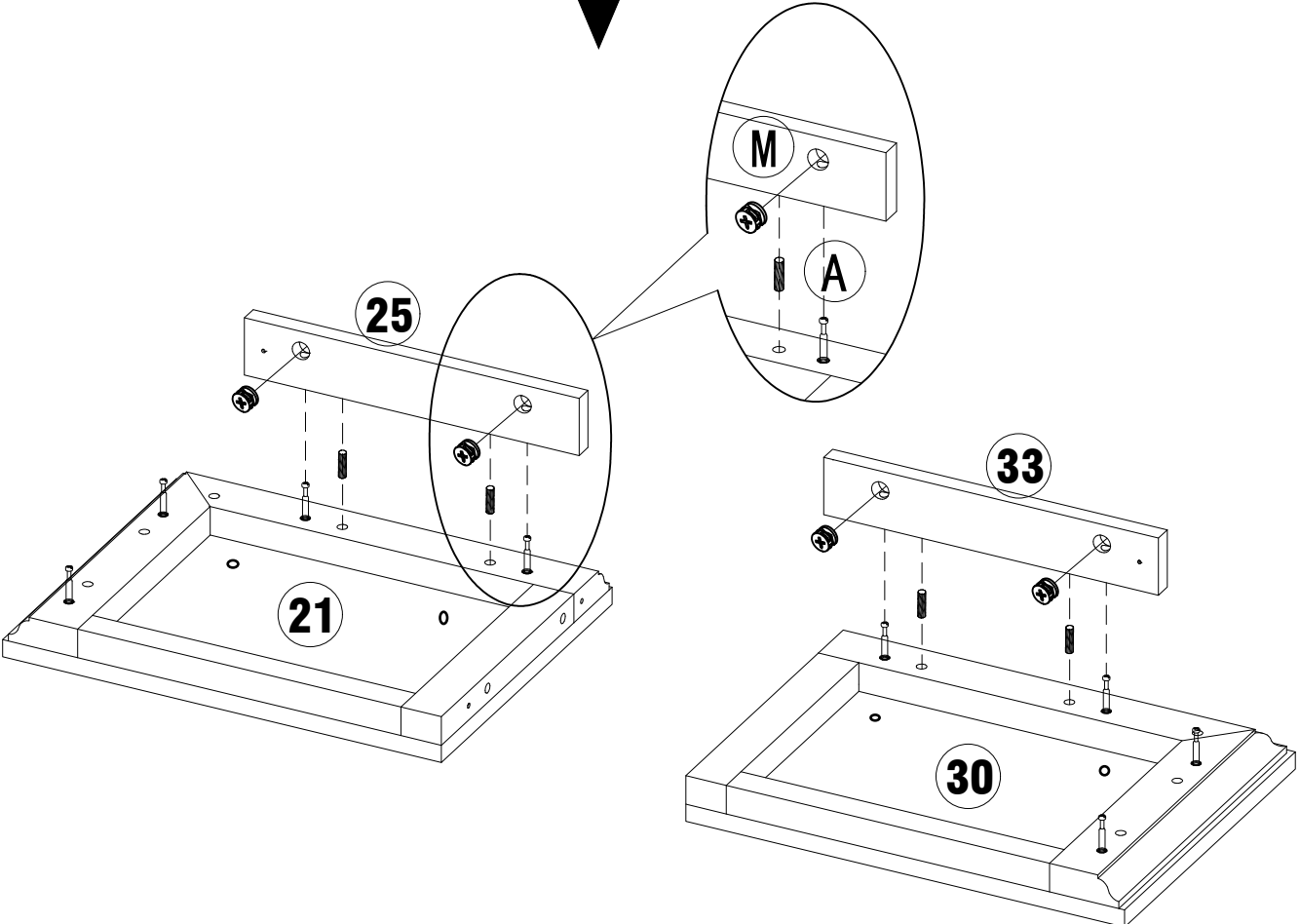
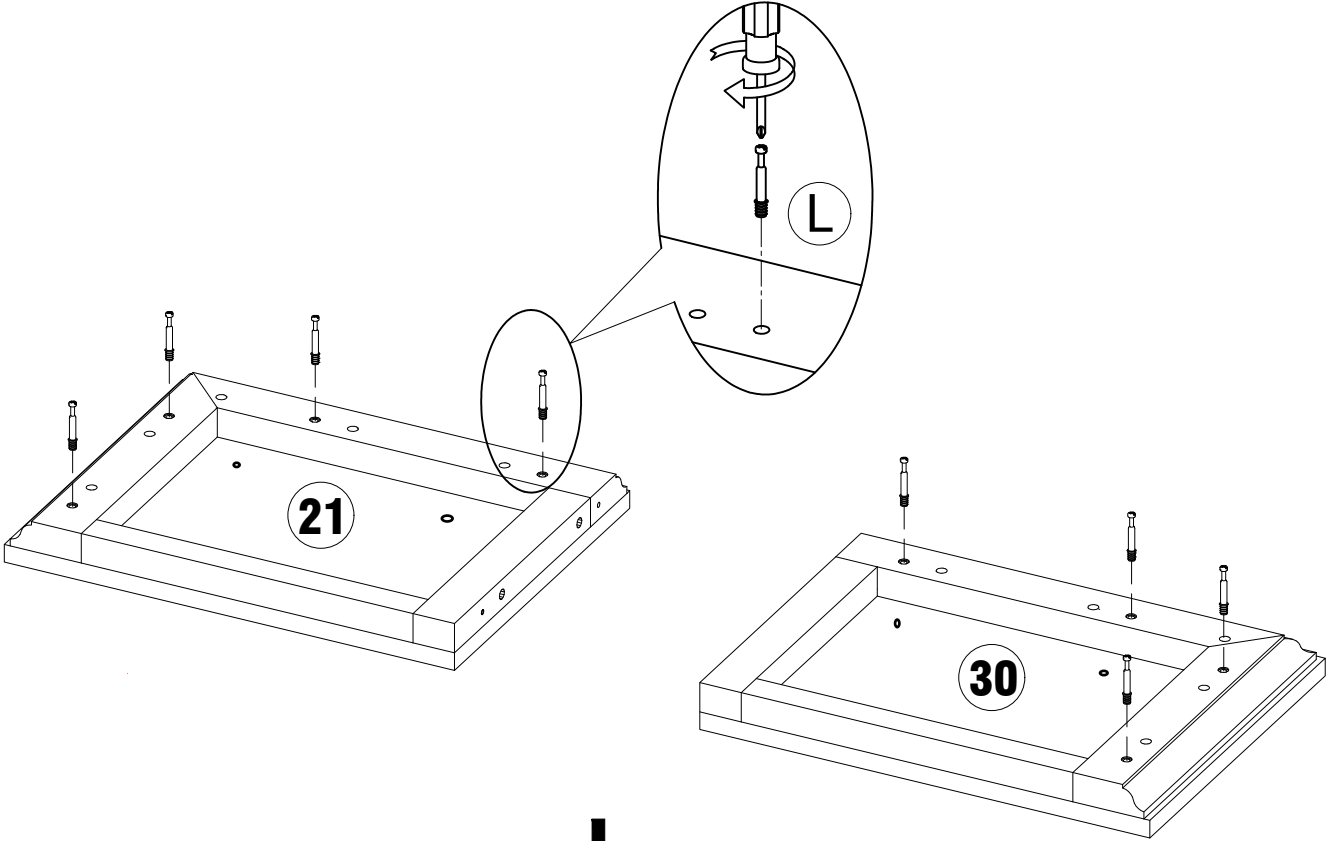
10X

P

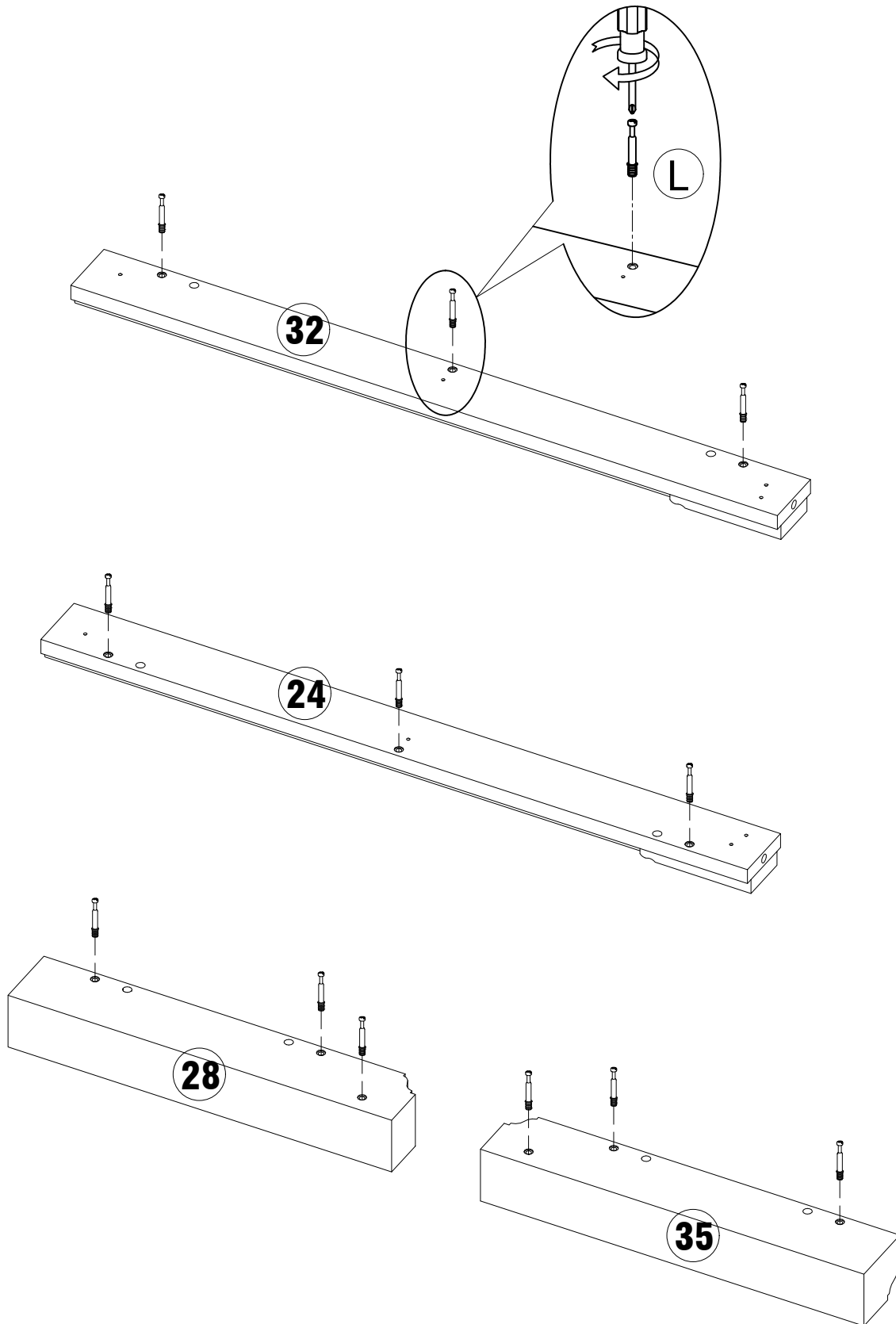
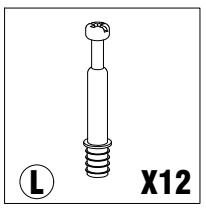
1X

STEP 1

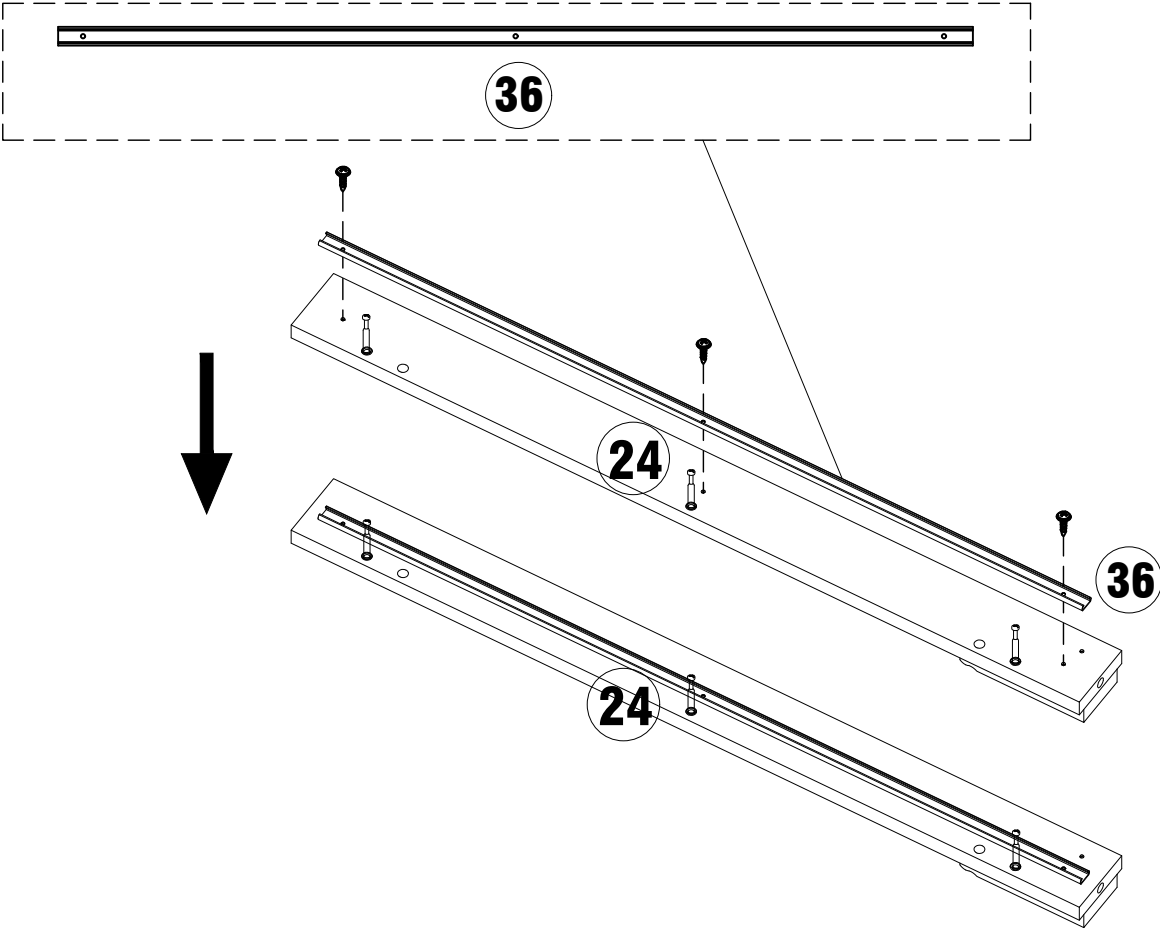
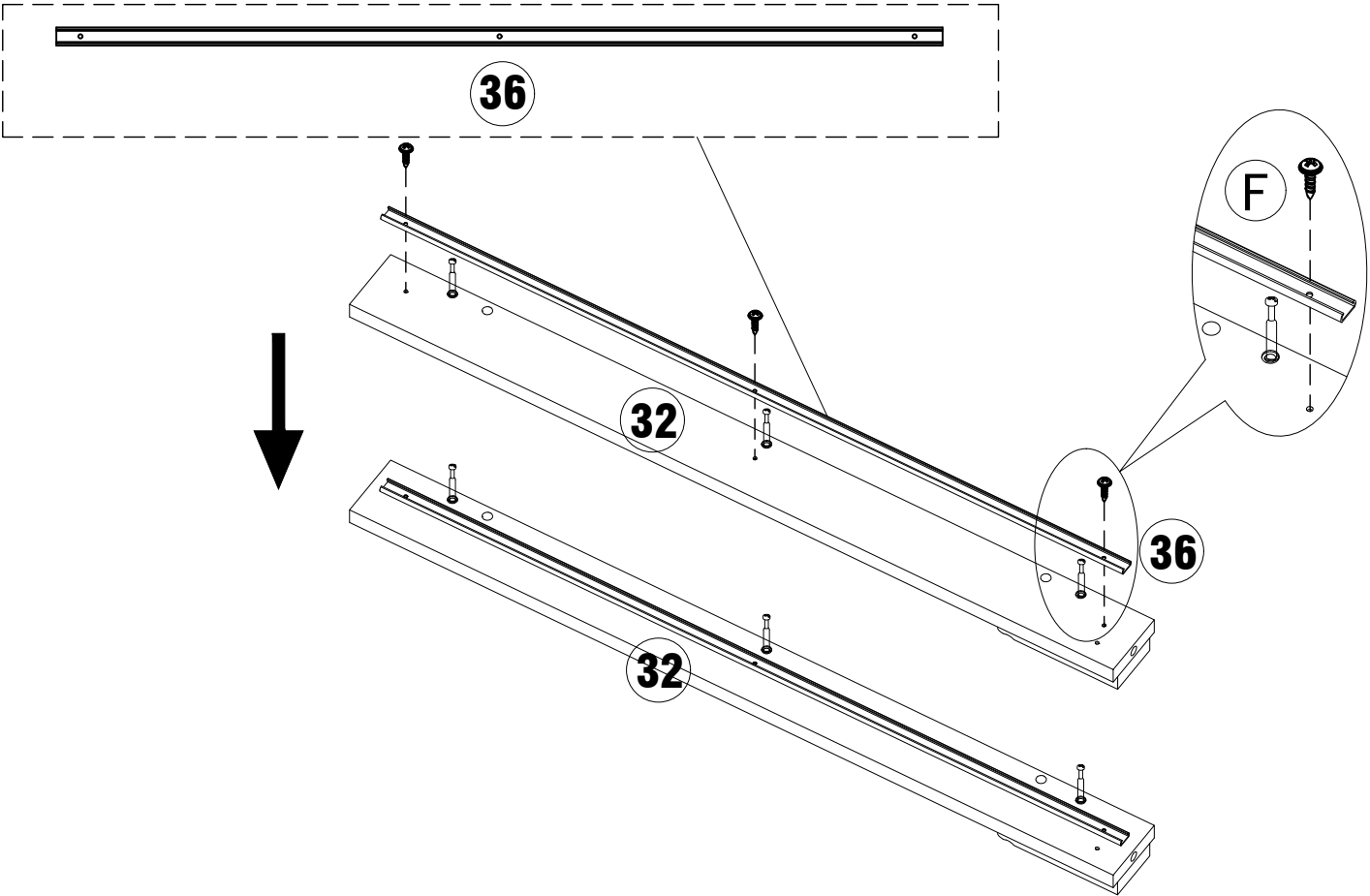
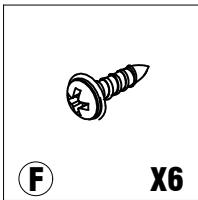
		
A	L	M
X4	X8	X4



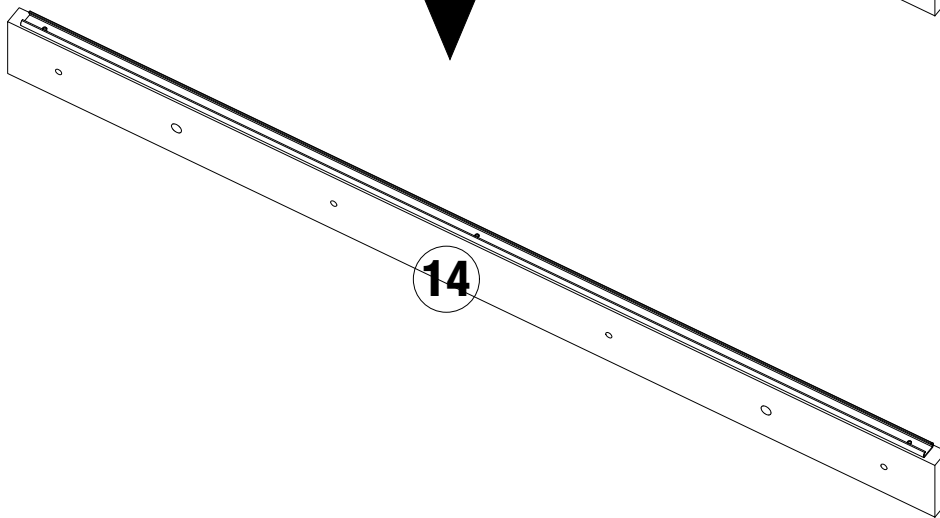
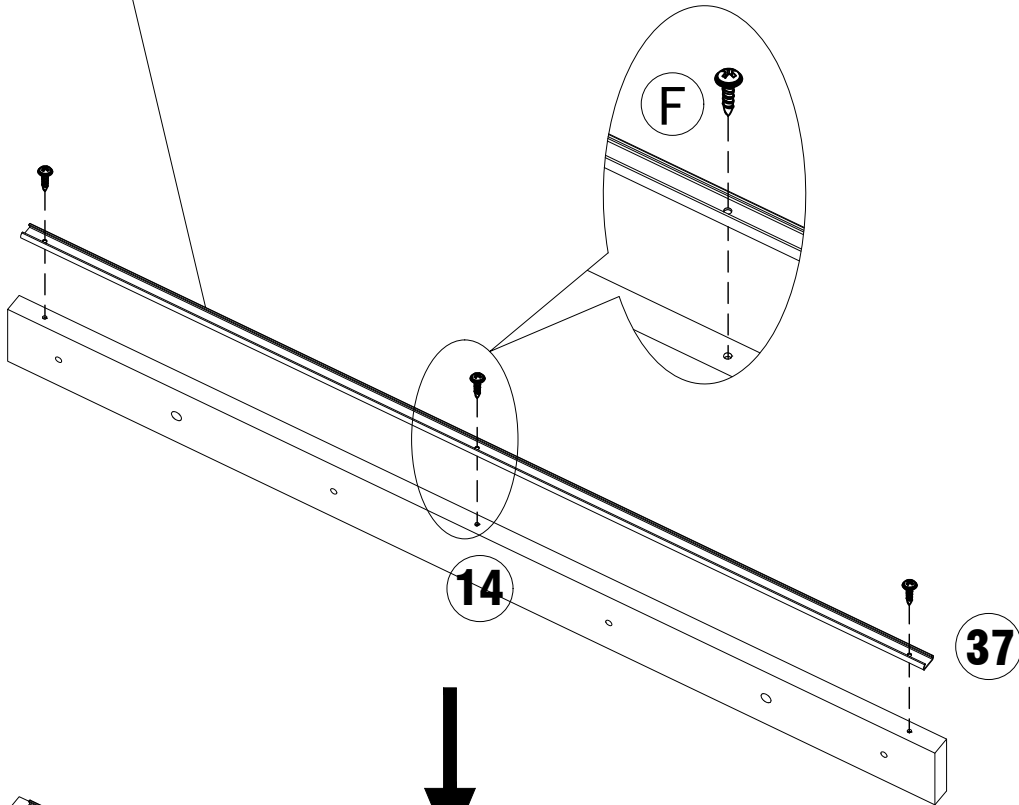
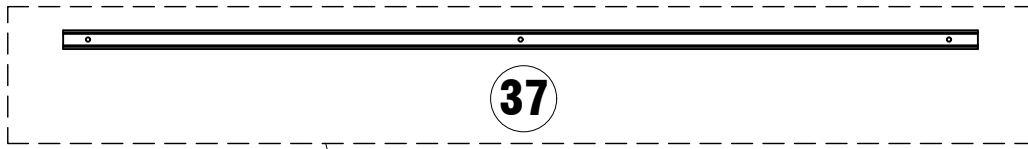
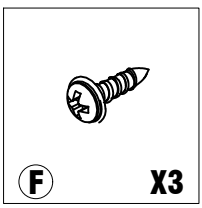
STEP 2



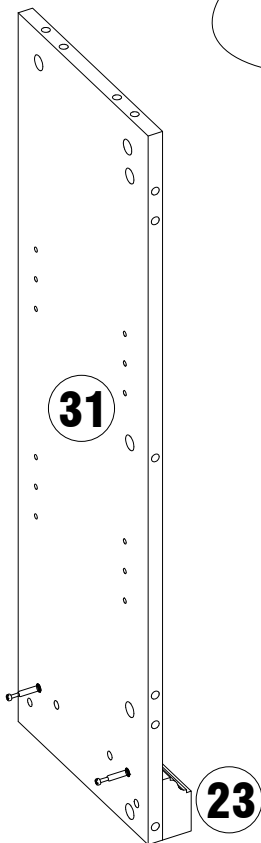
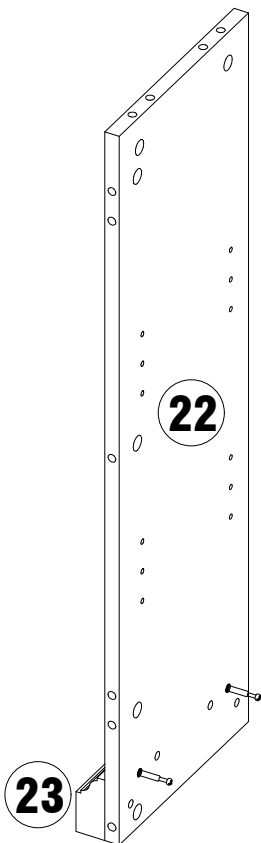
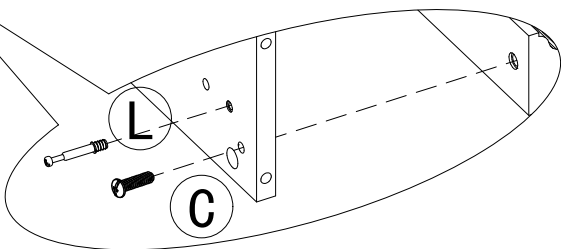
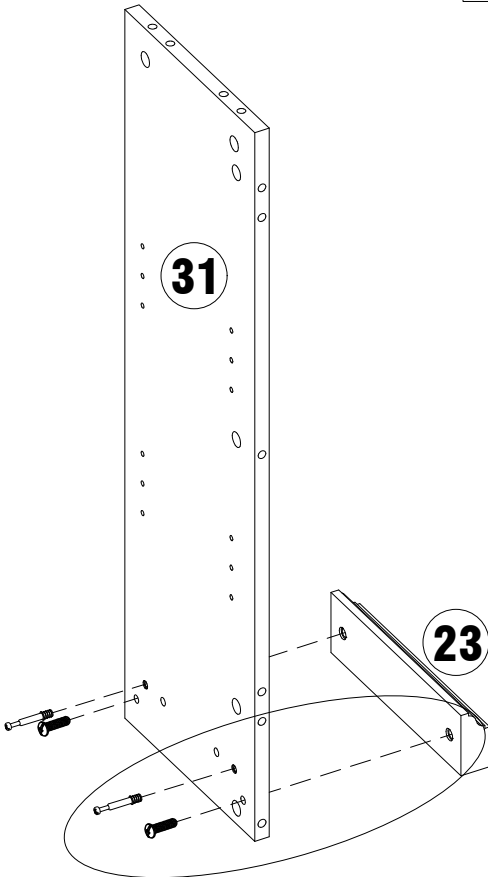
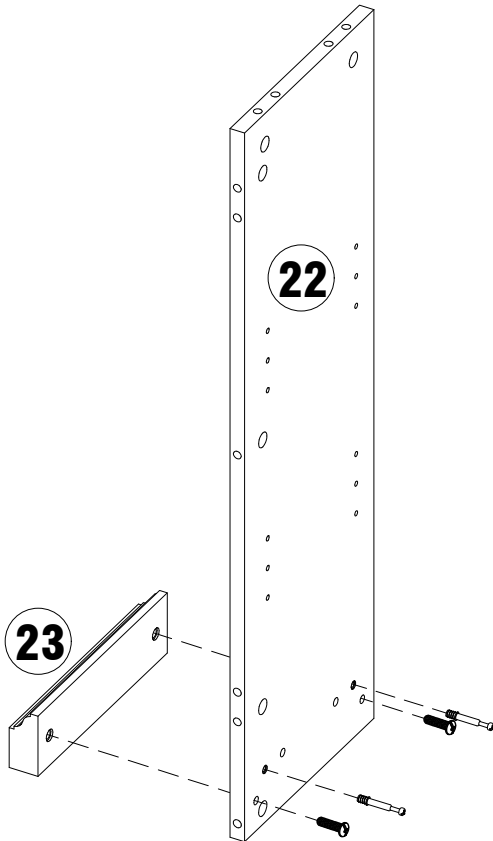
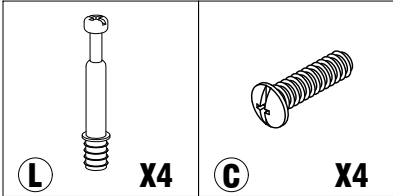
STEP 3





STEP 4

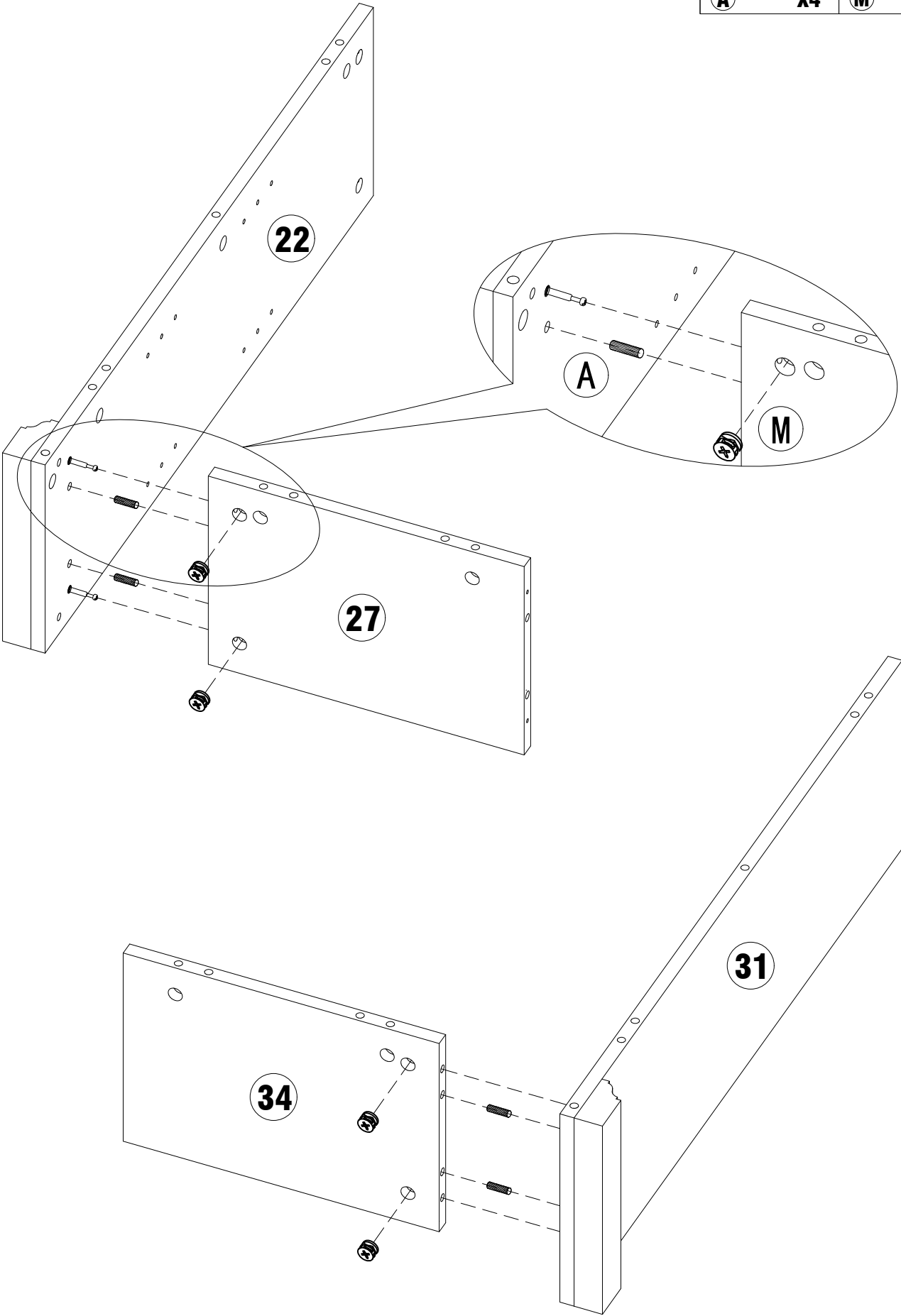


STEP 5





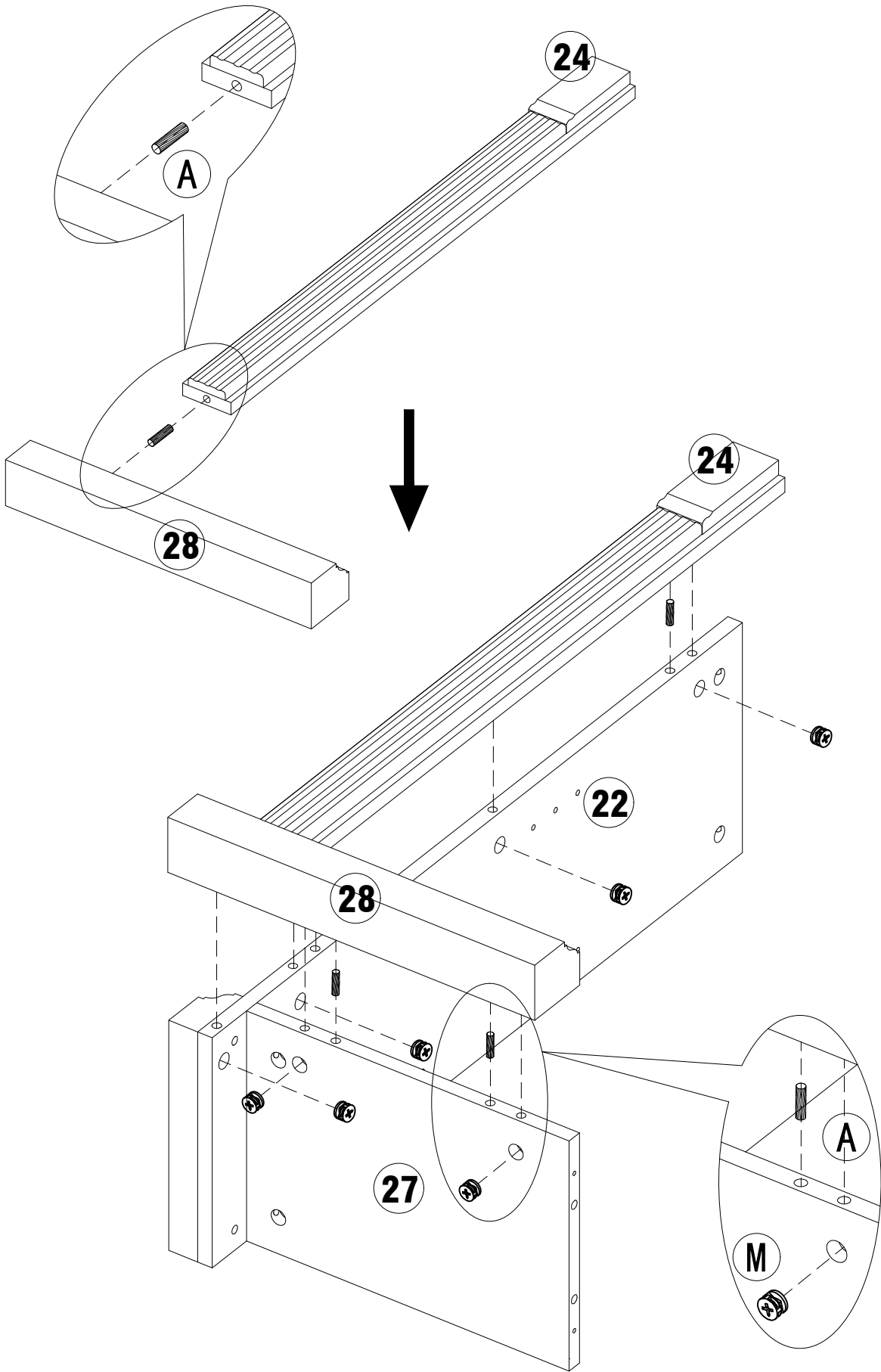
STEP 6

	
A	M
X4	X4





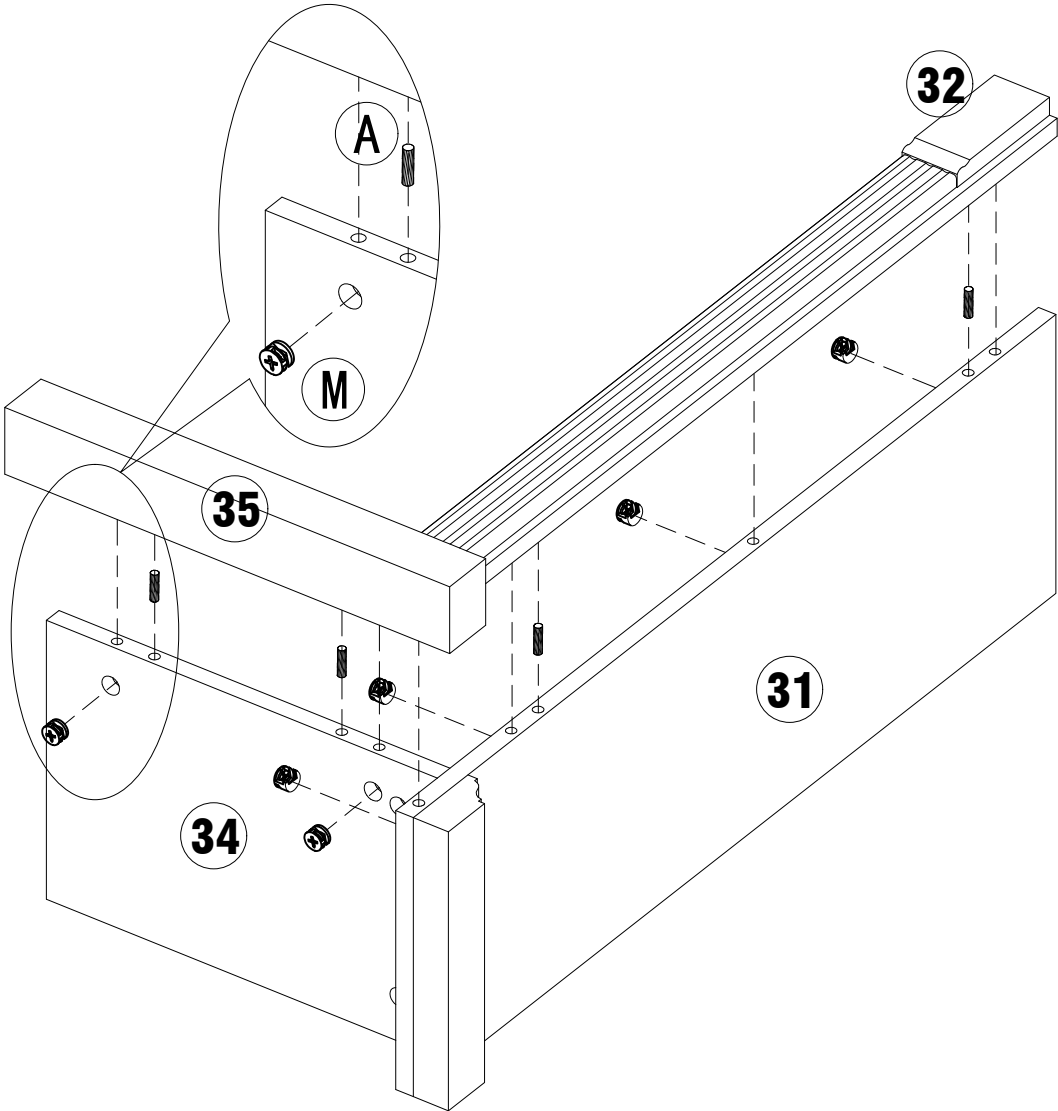
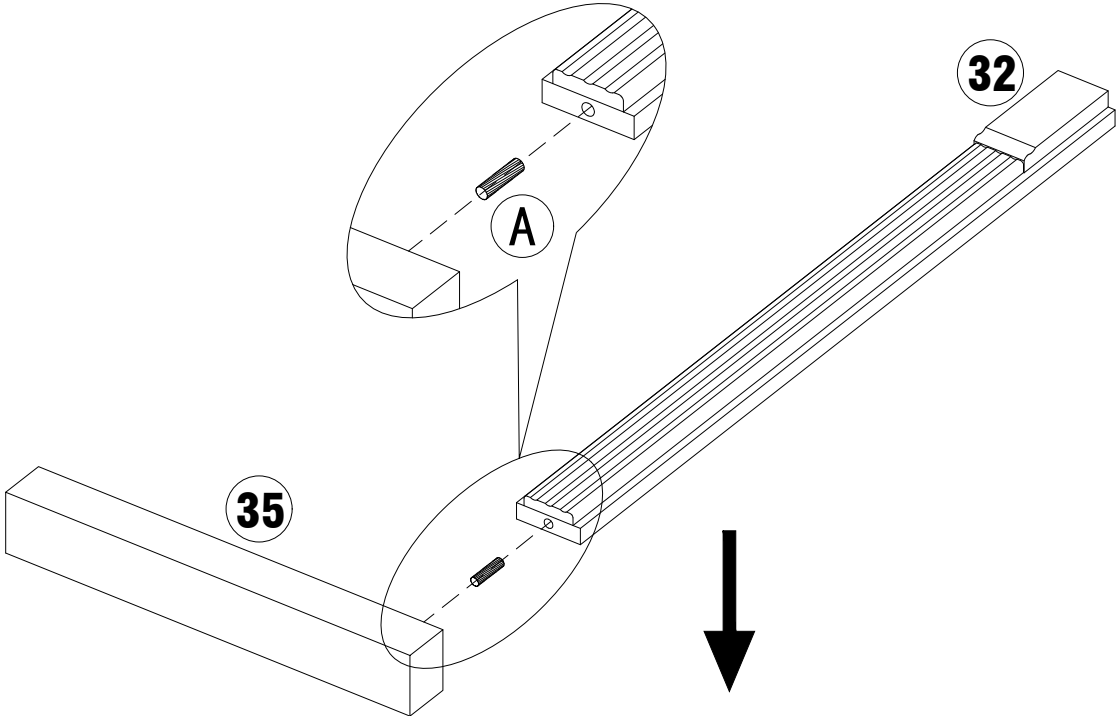
STEP 7

	
A	M
X5	X6





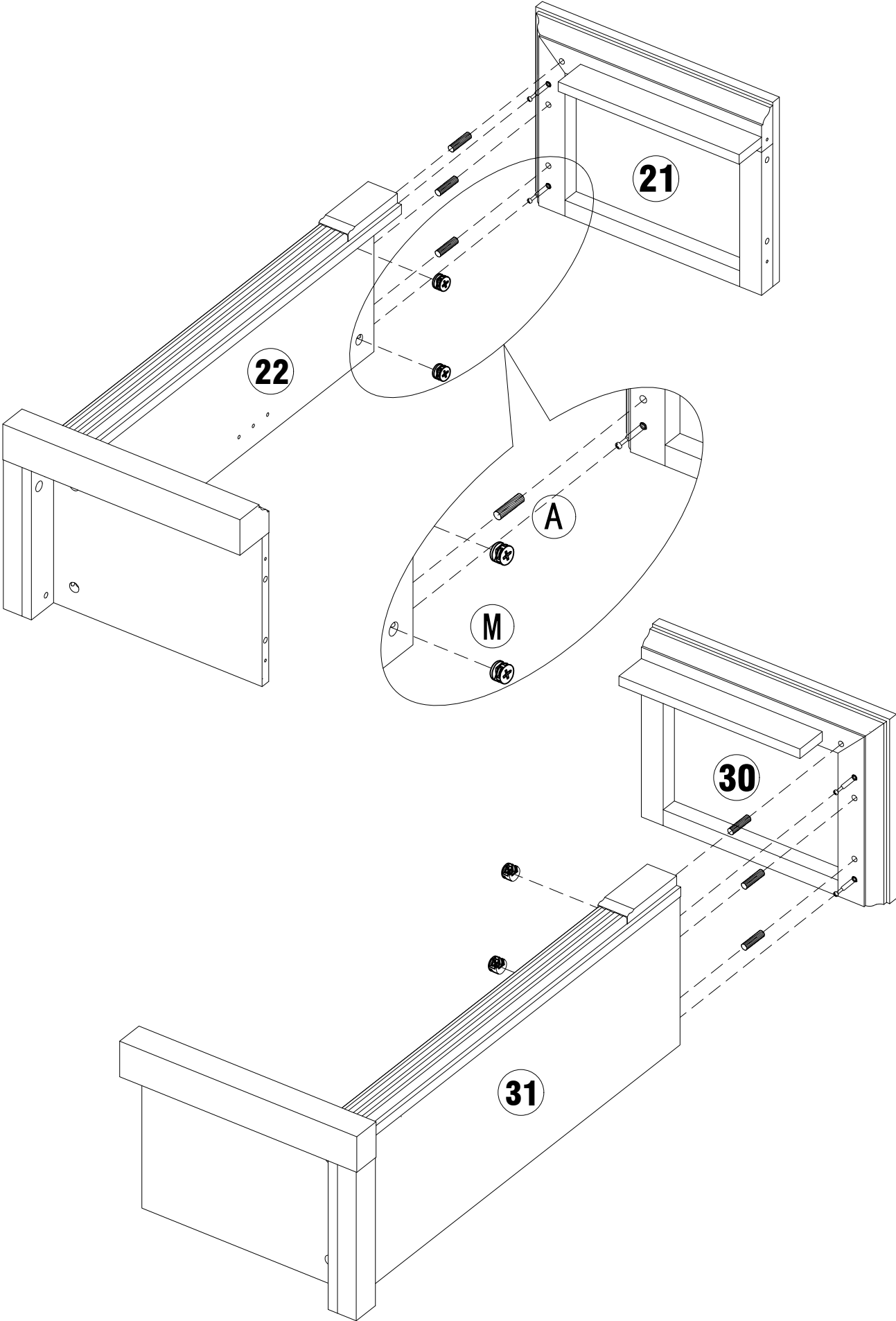
STEP 8

	
A	M
X5	X6

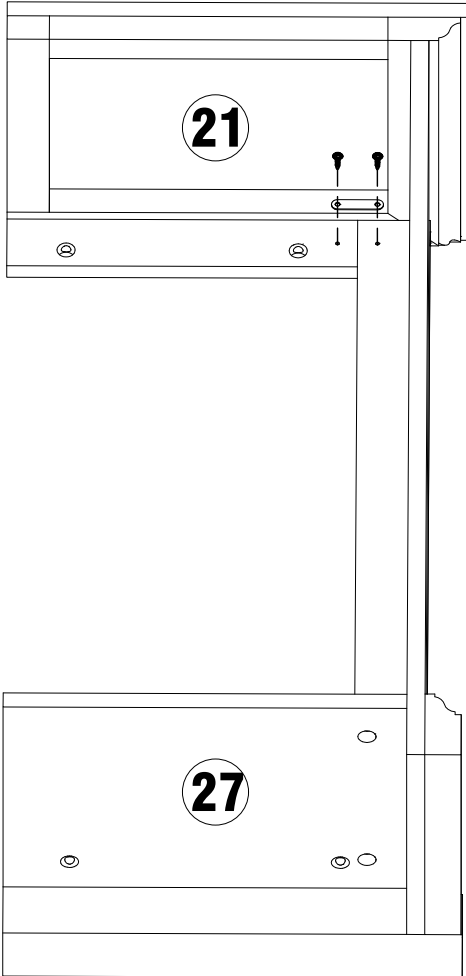
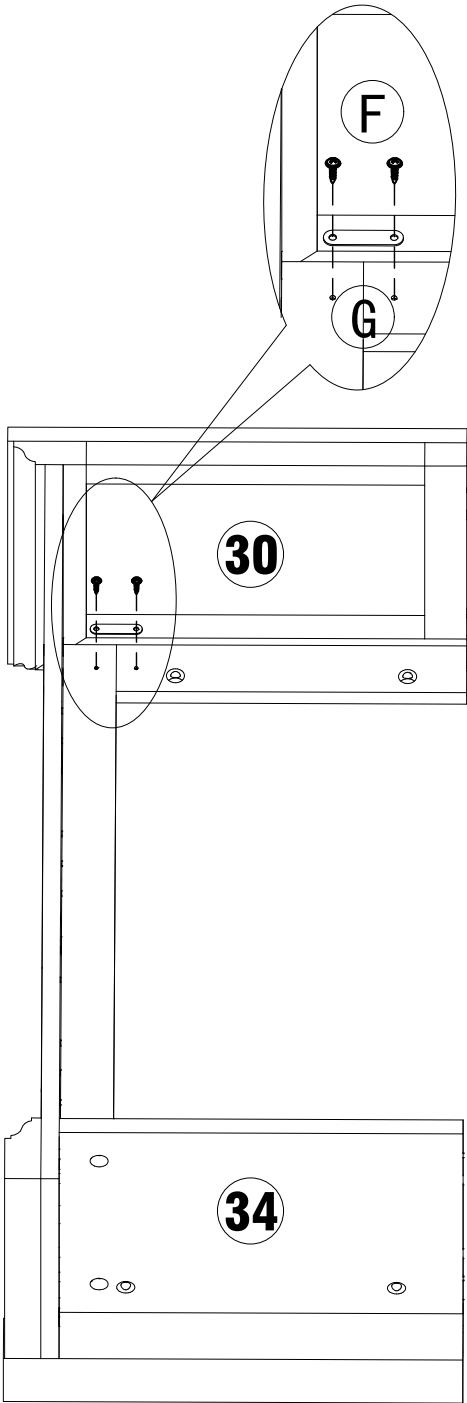
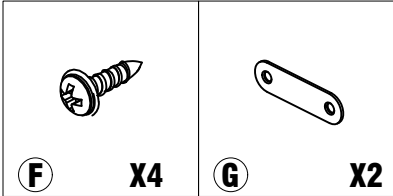


STEP 9

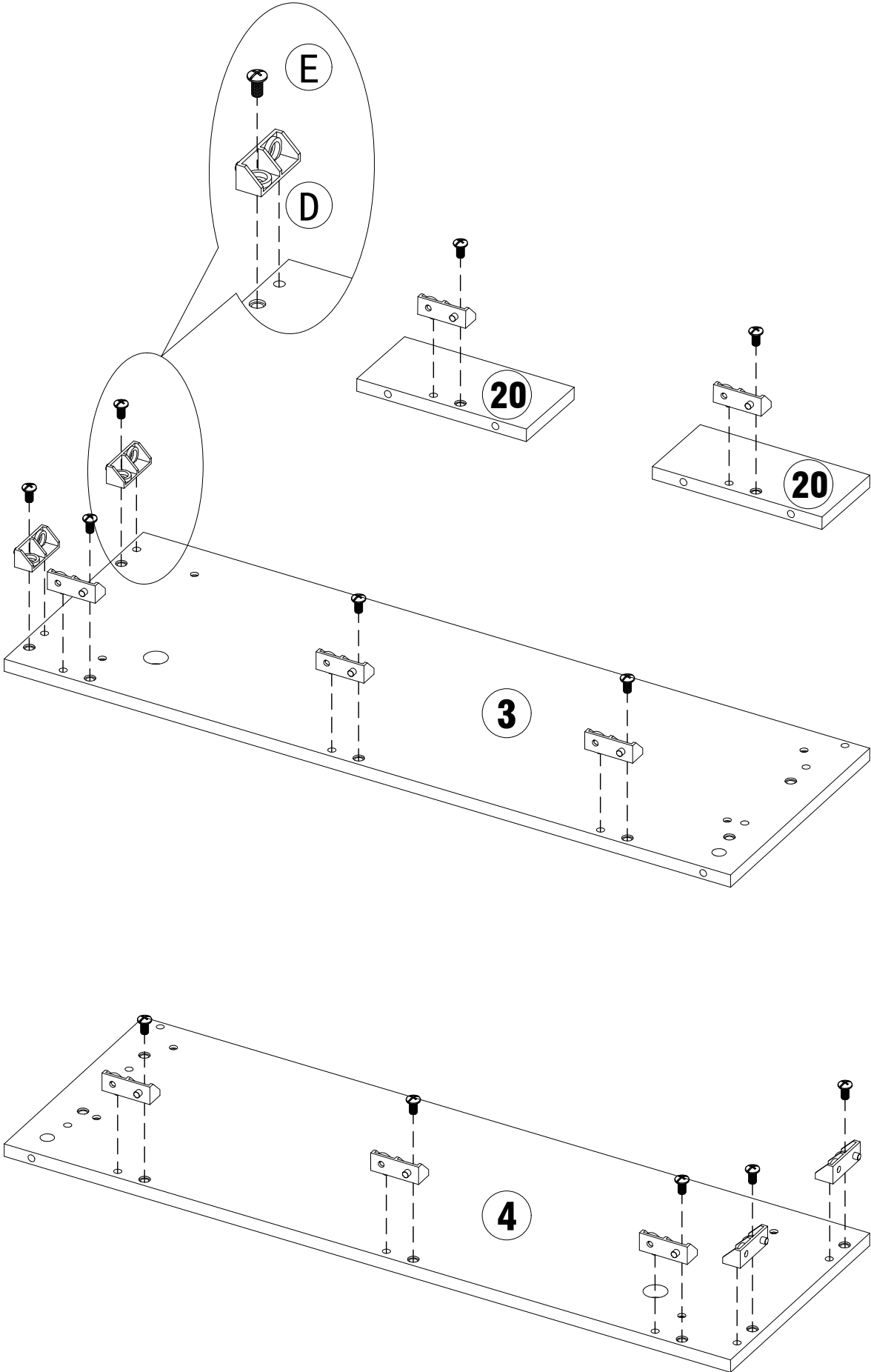
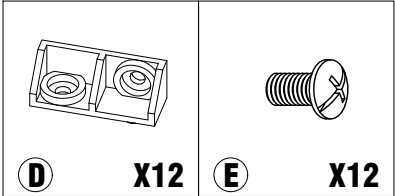
	
A	M
X6	X4



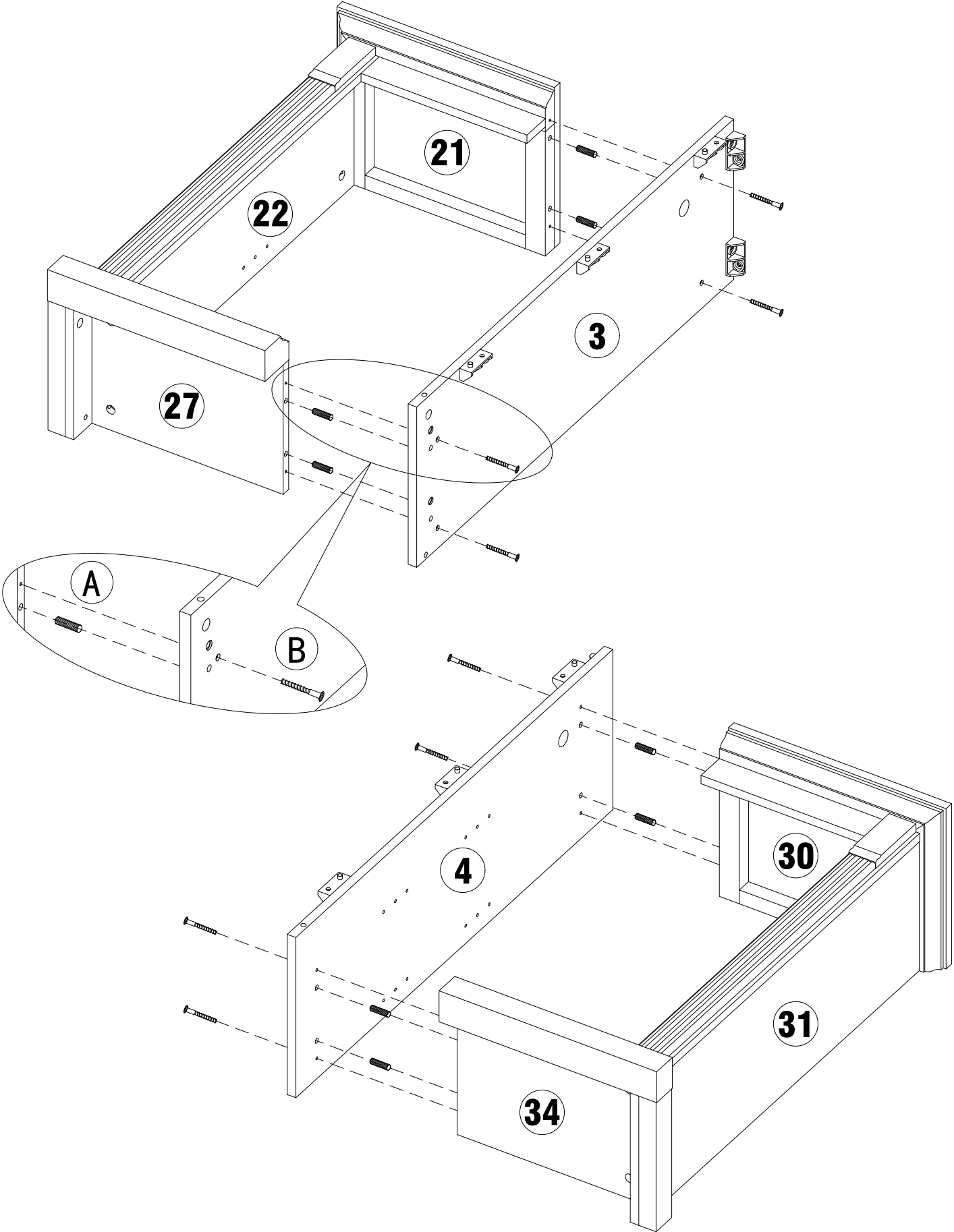
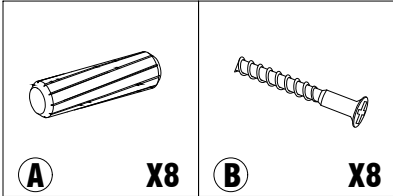
STEP 10




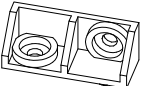
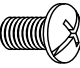


STEP 11

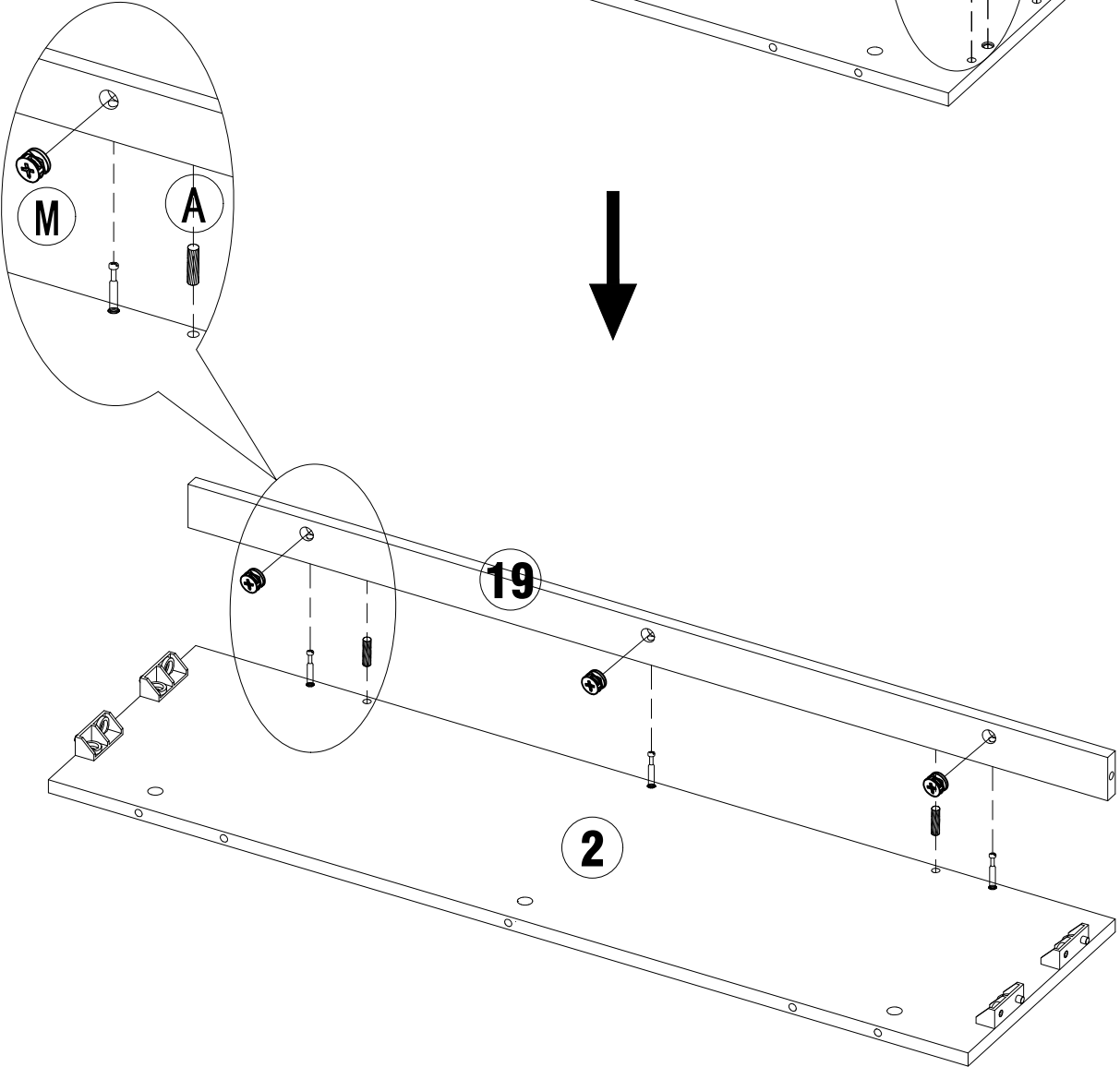
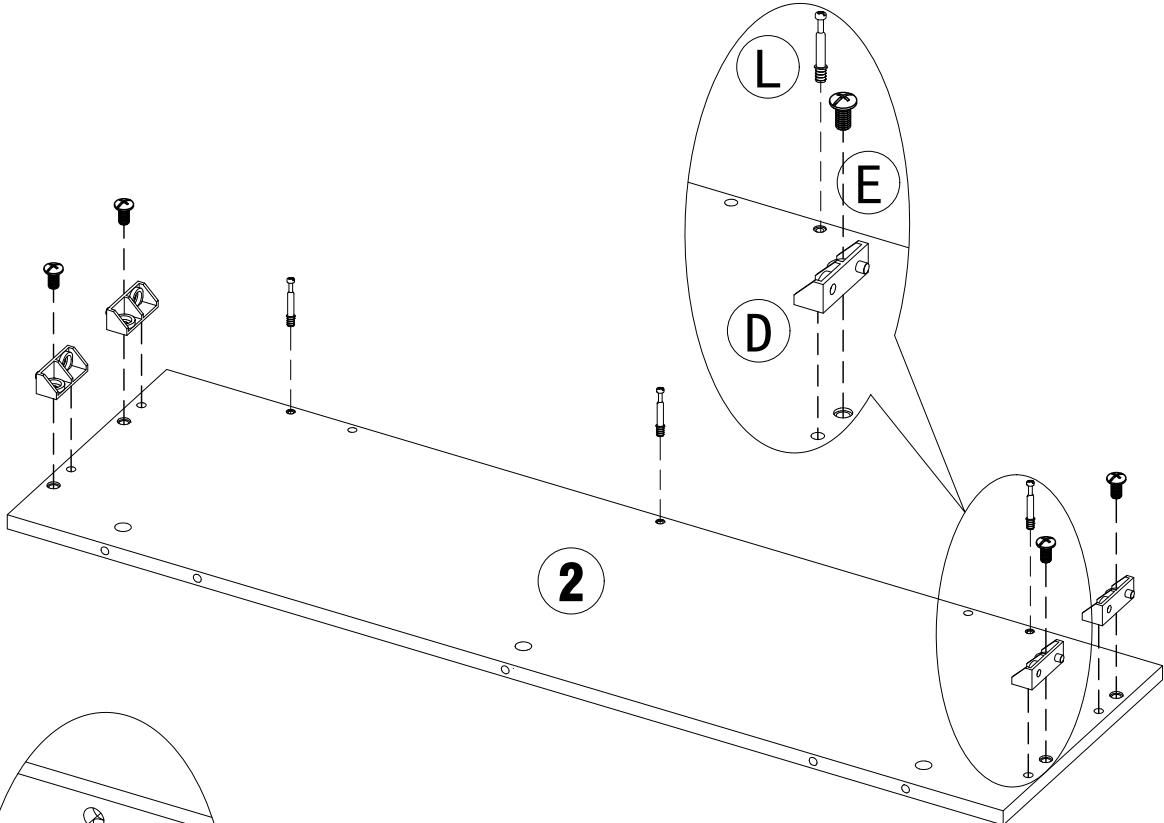


STEP 12

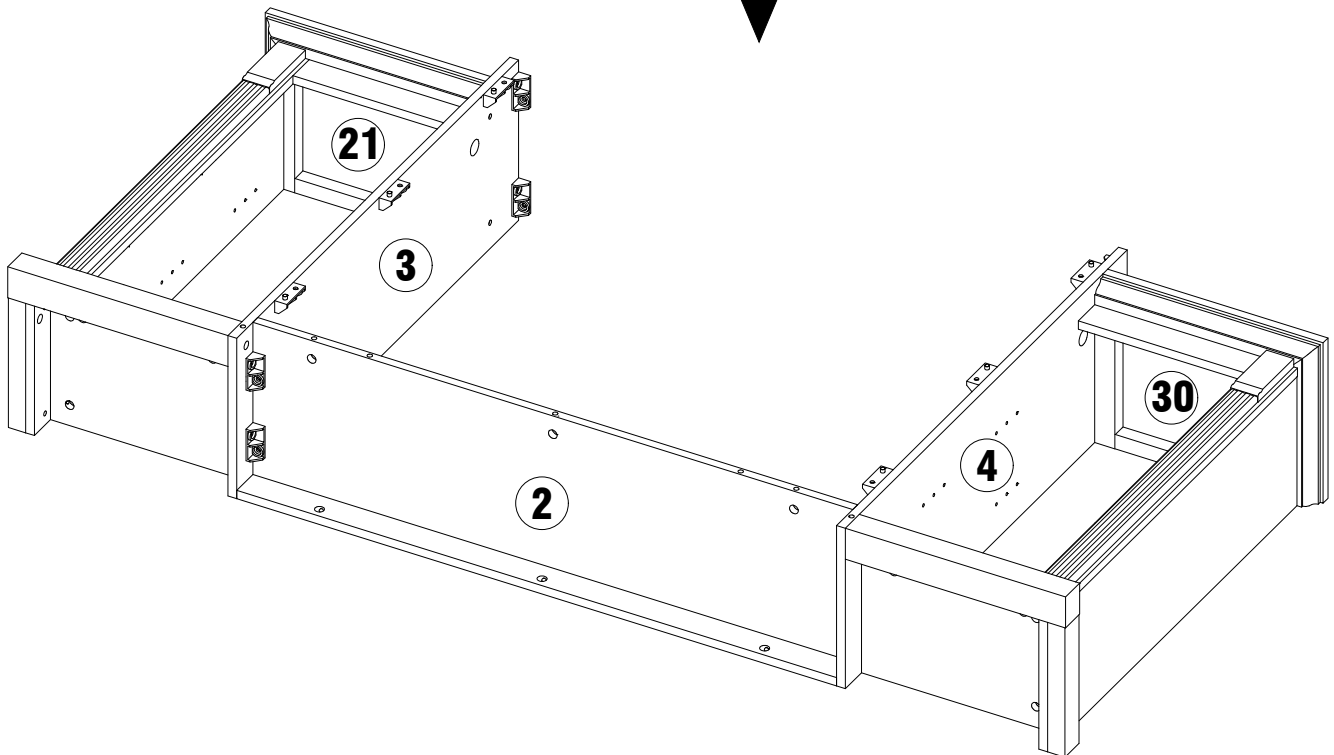
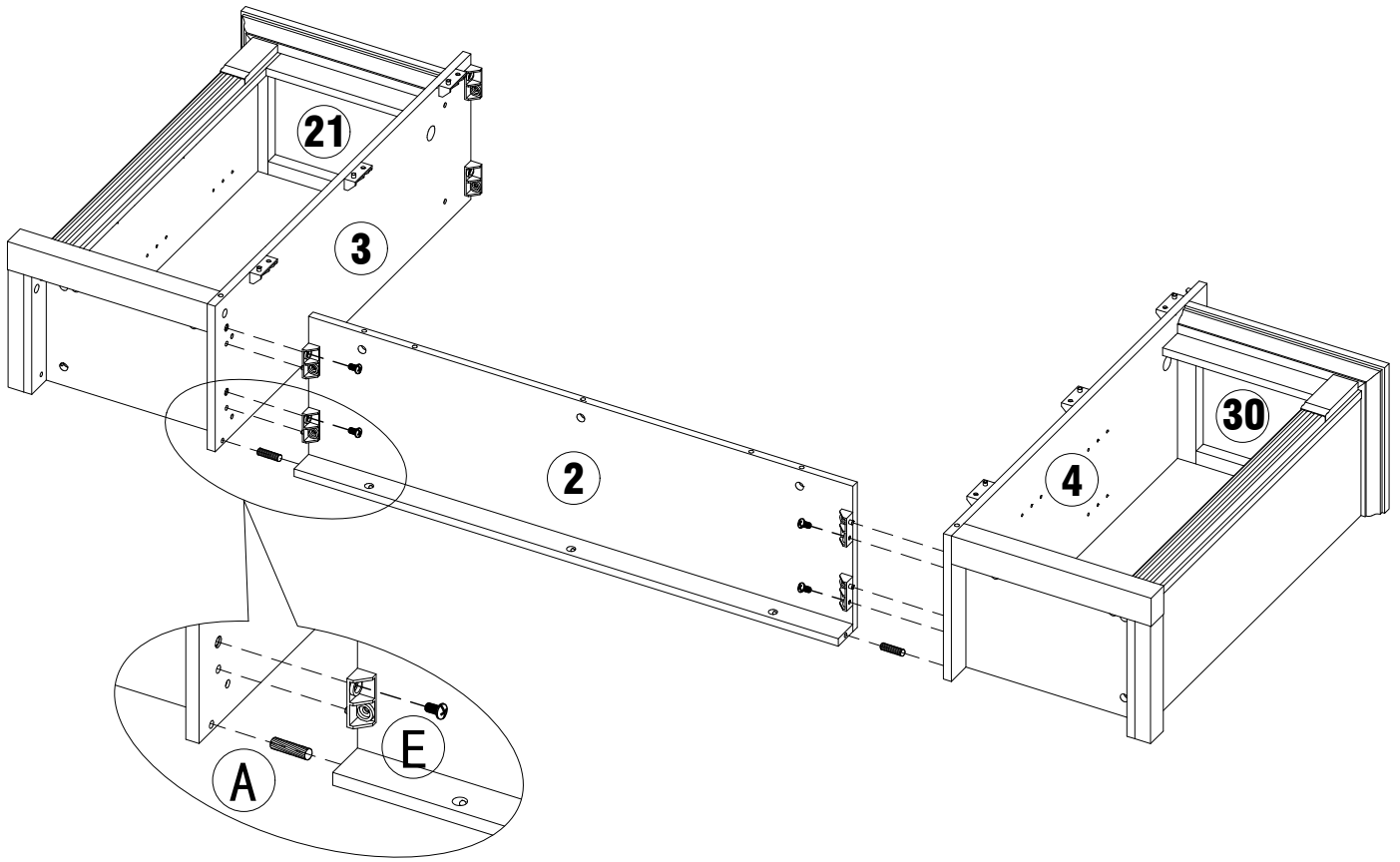
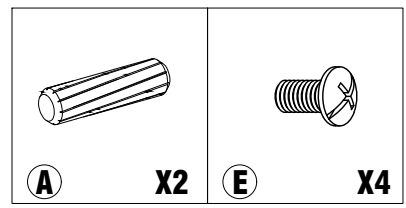


STEP 13

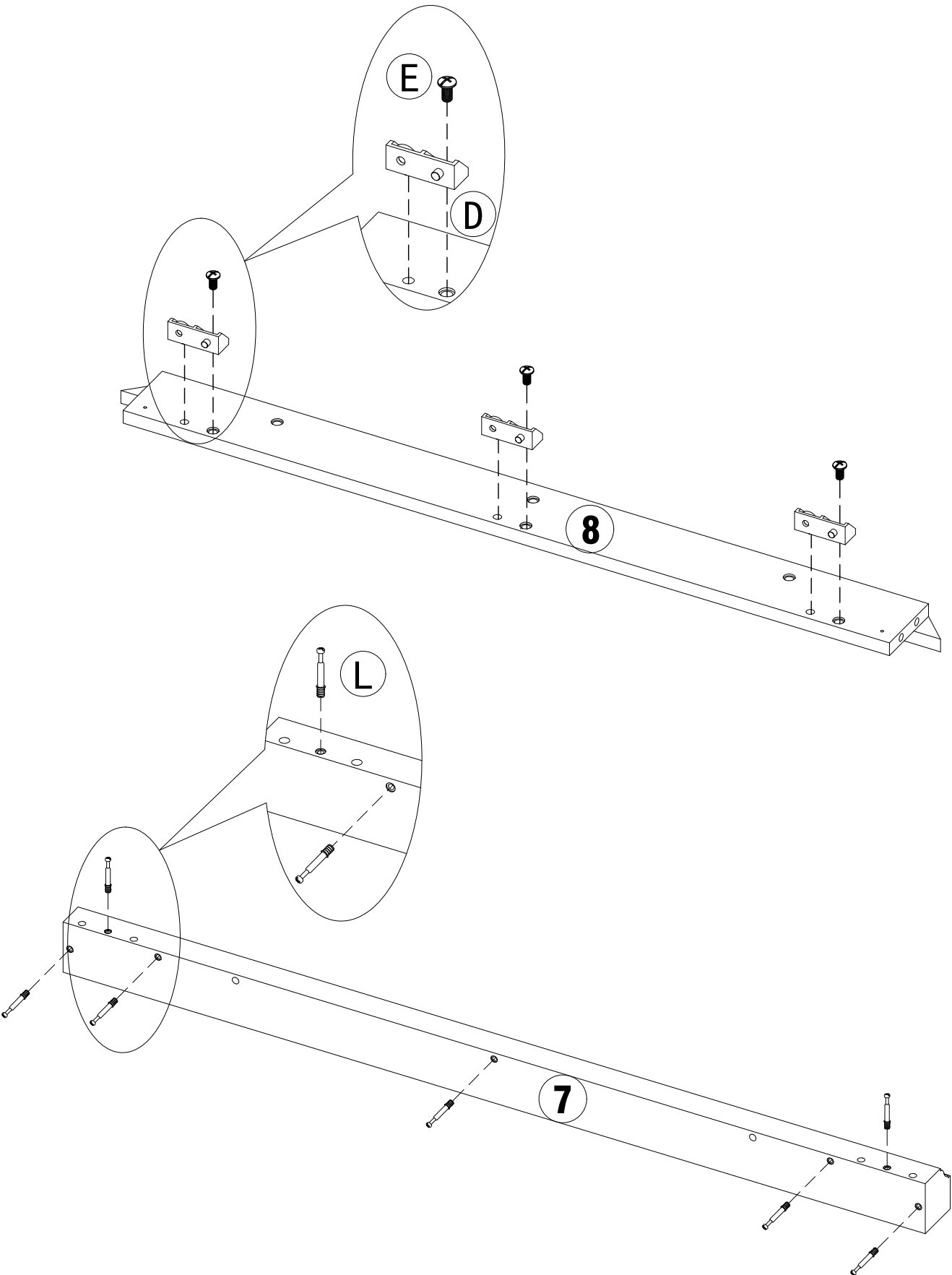
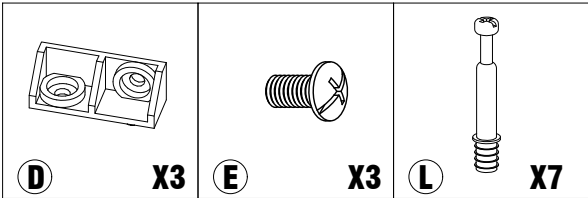
									
A	X2	D	X4	E	X4	L	X3	M	X3






STEP 14

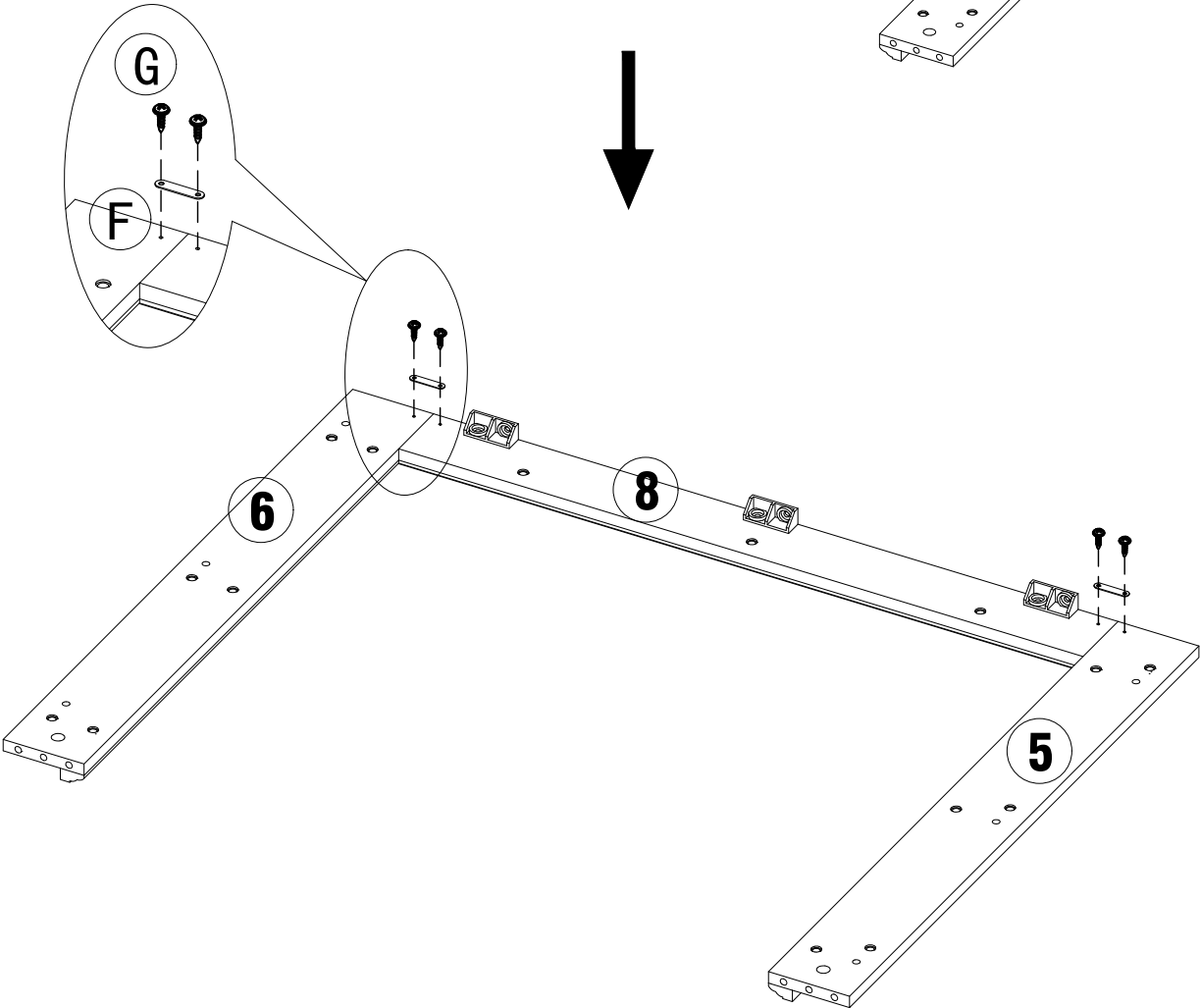
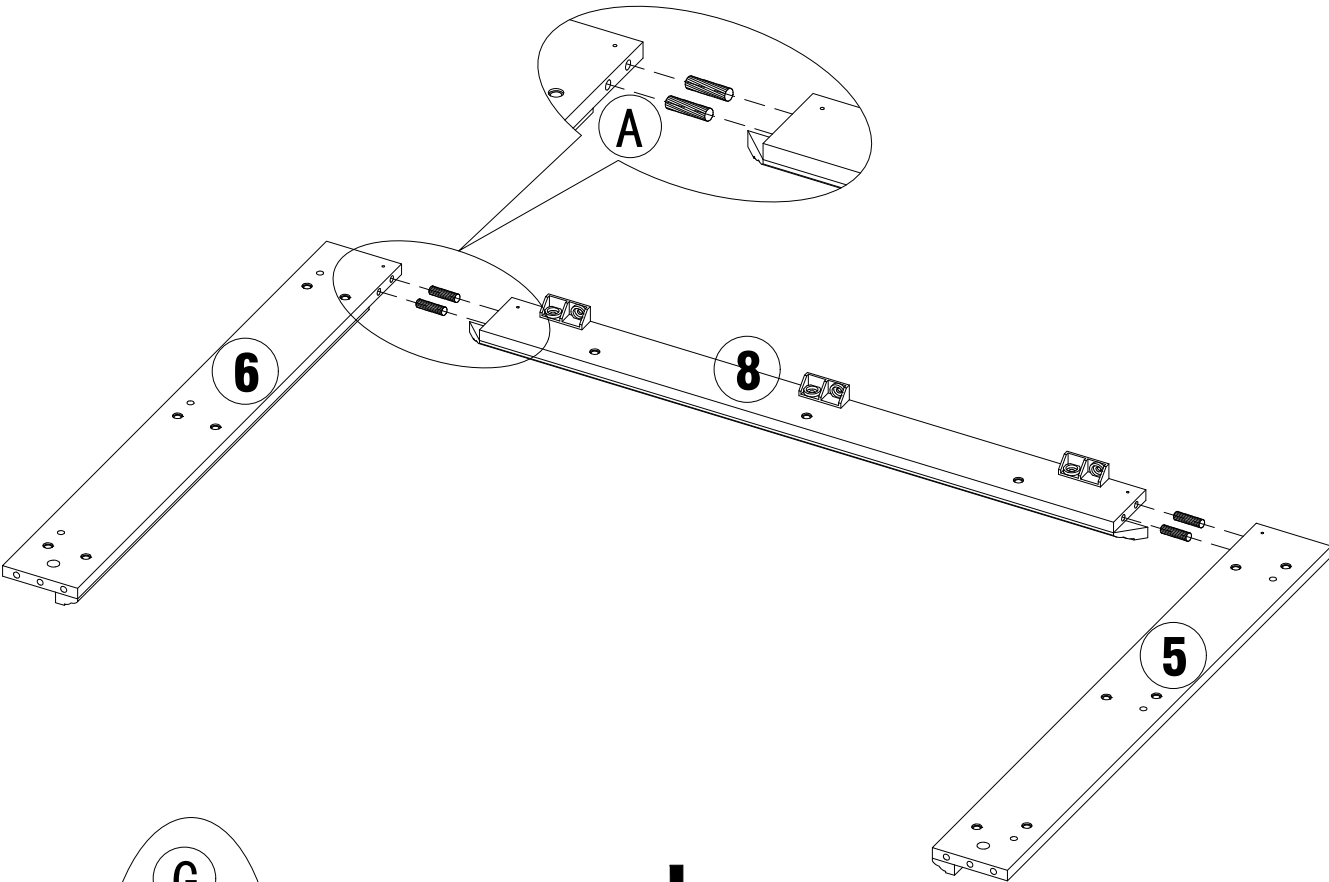


STEP 15





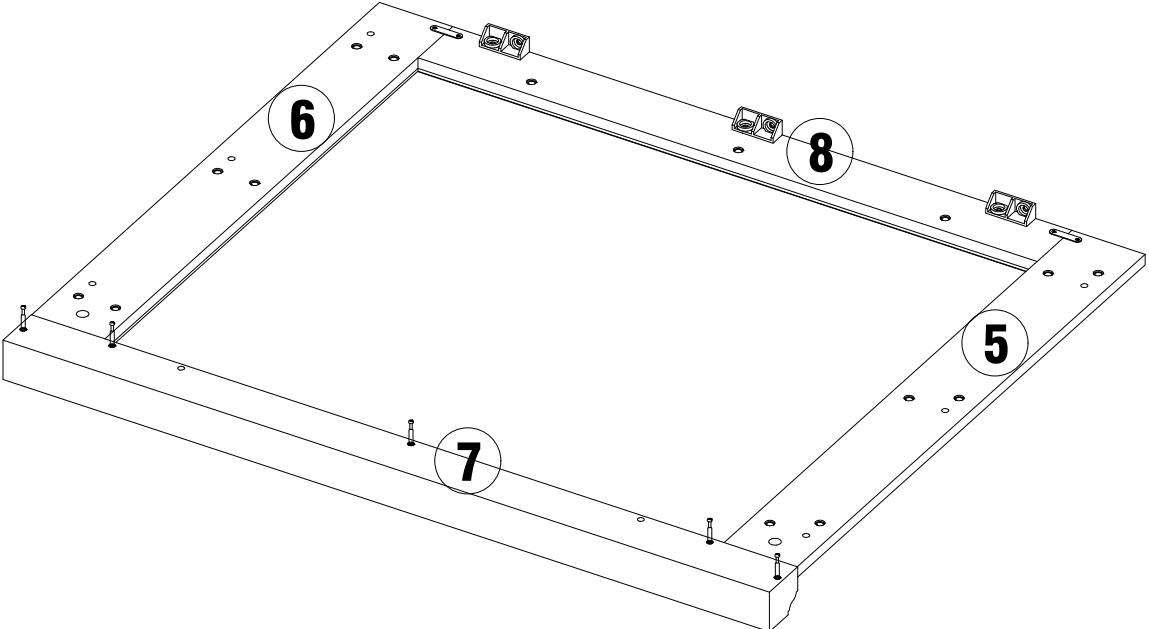
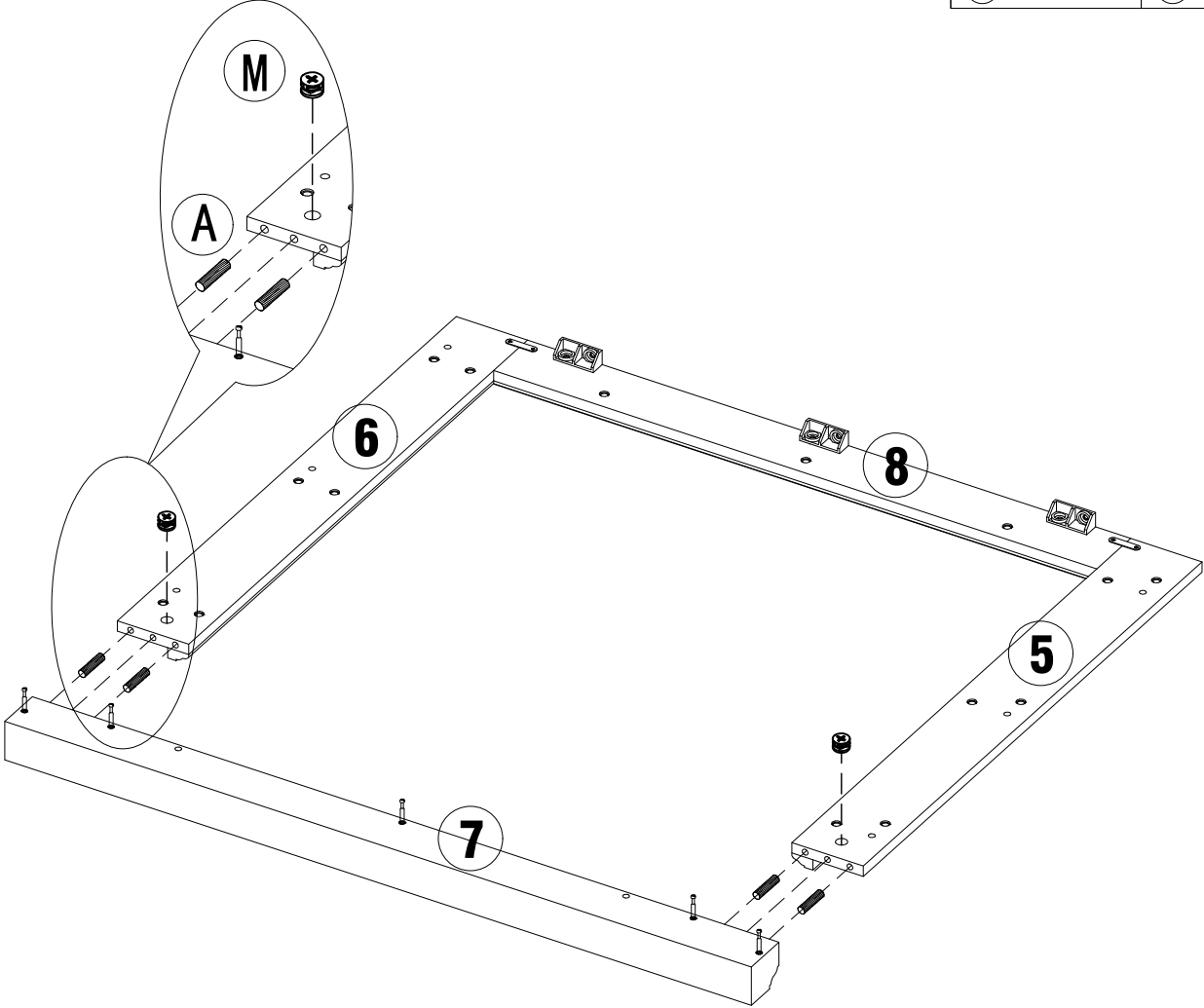
STEP 16

					
A	X4	F	X4	G	X2

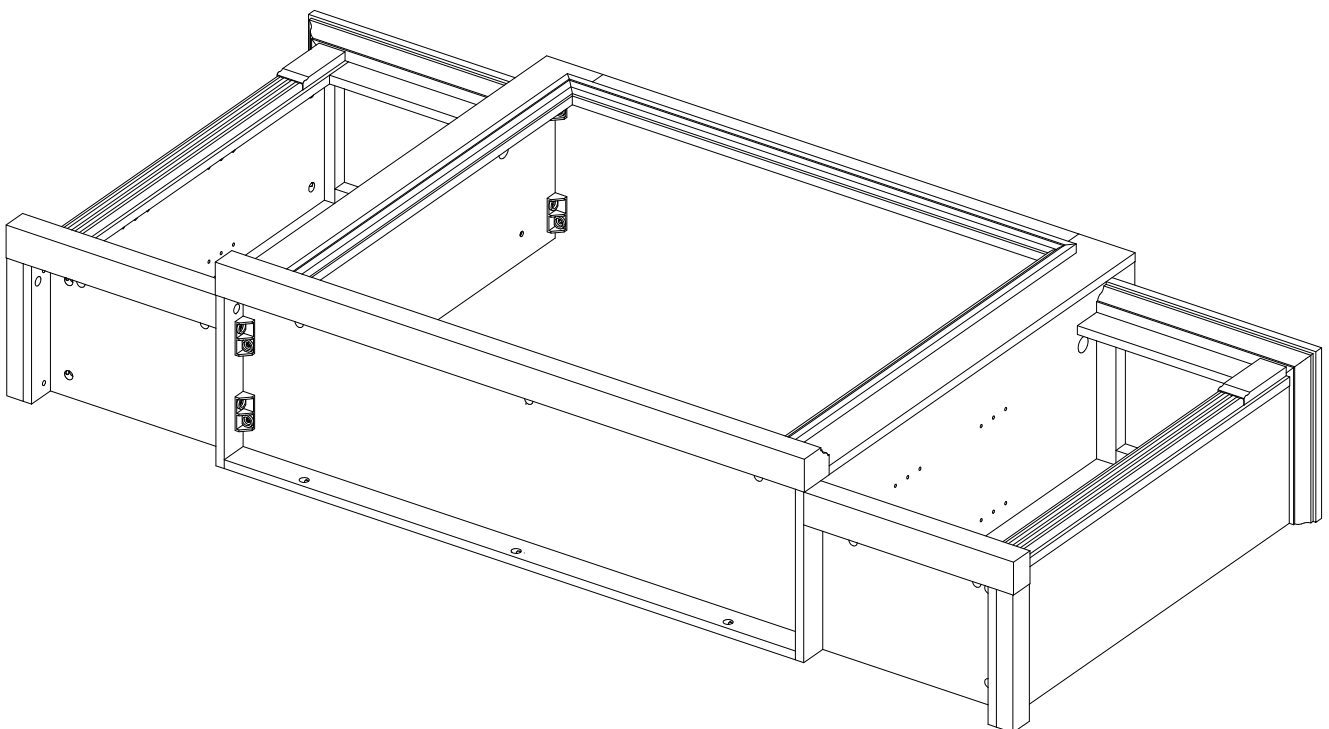
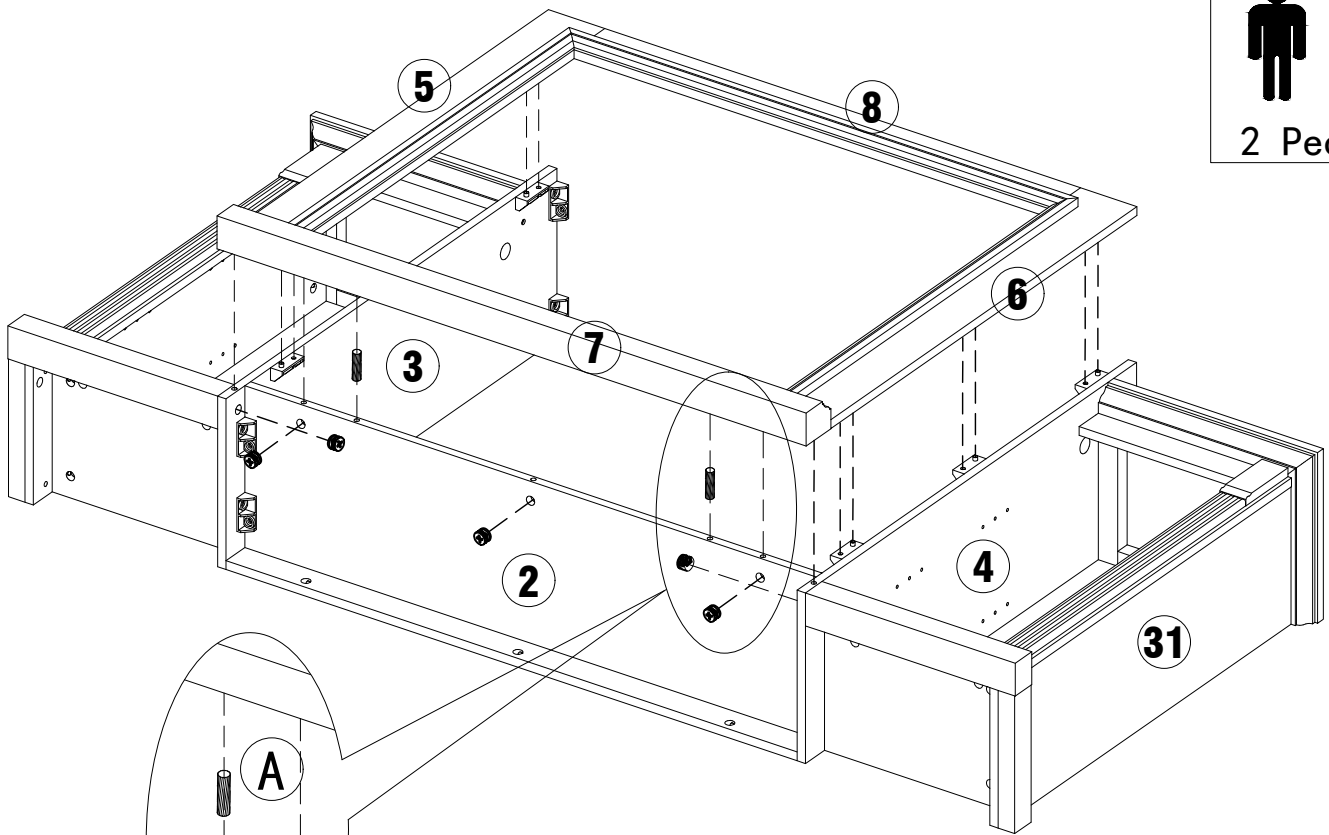
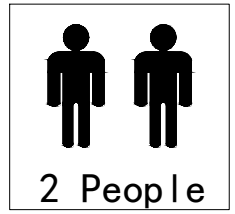
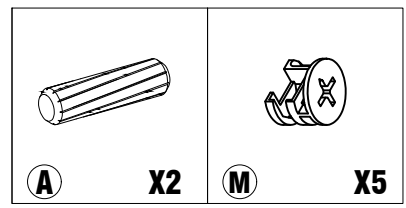


STEP 17

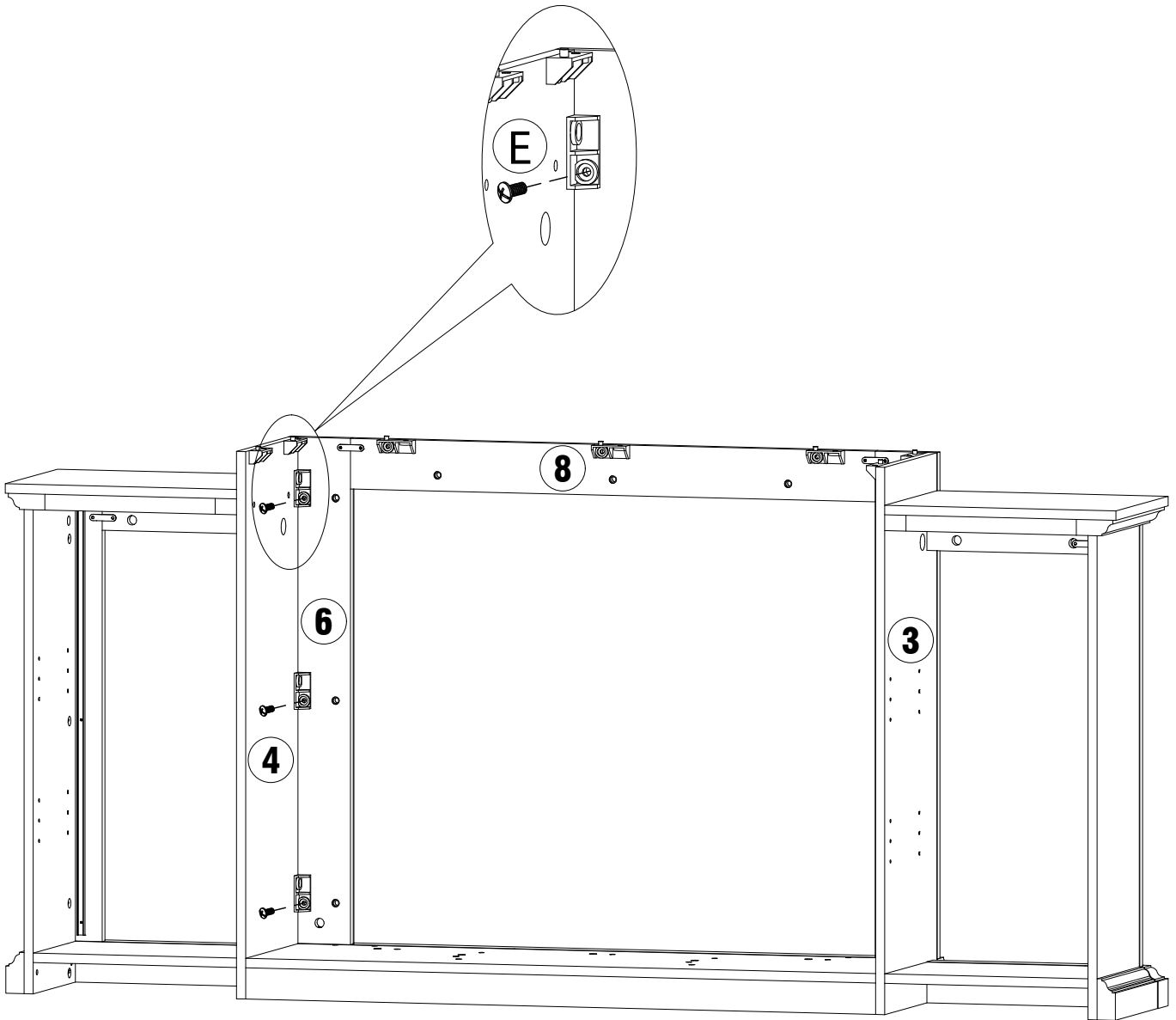
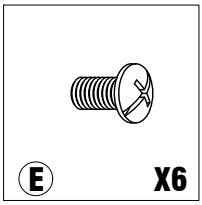
	
A	X4
	M
	X2



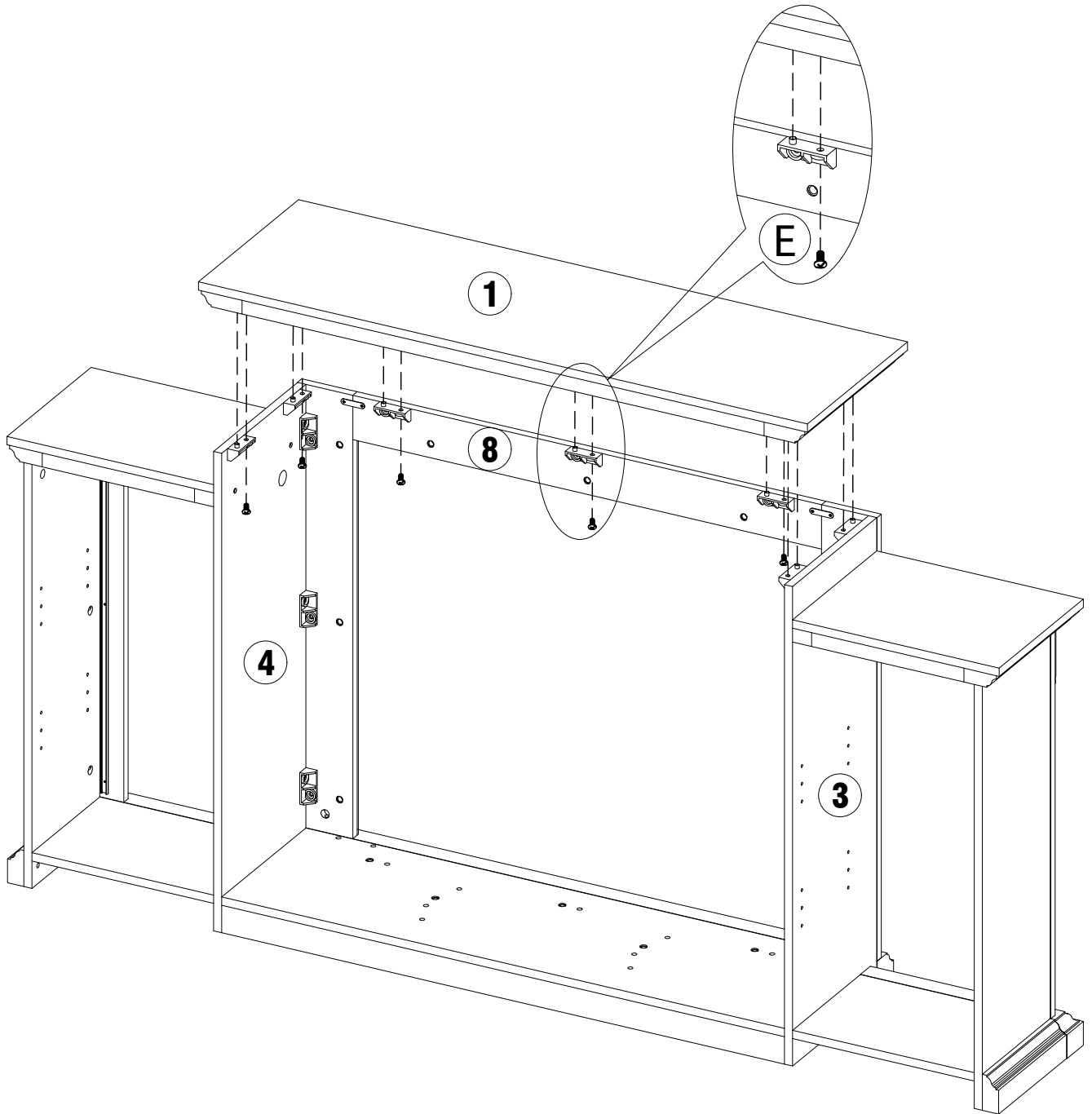
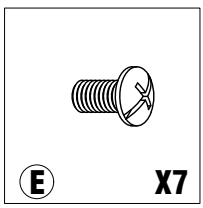
STEP 18






STEP 19

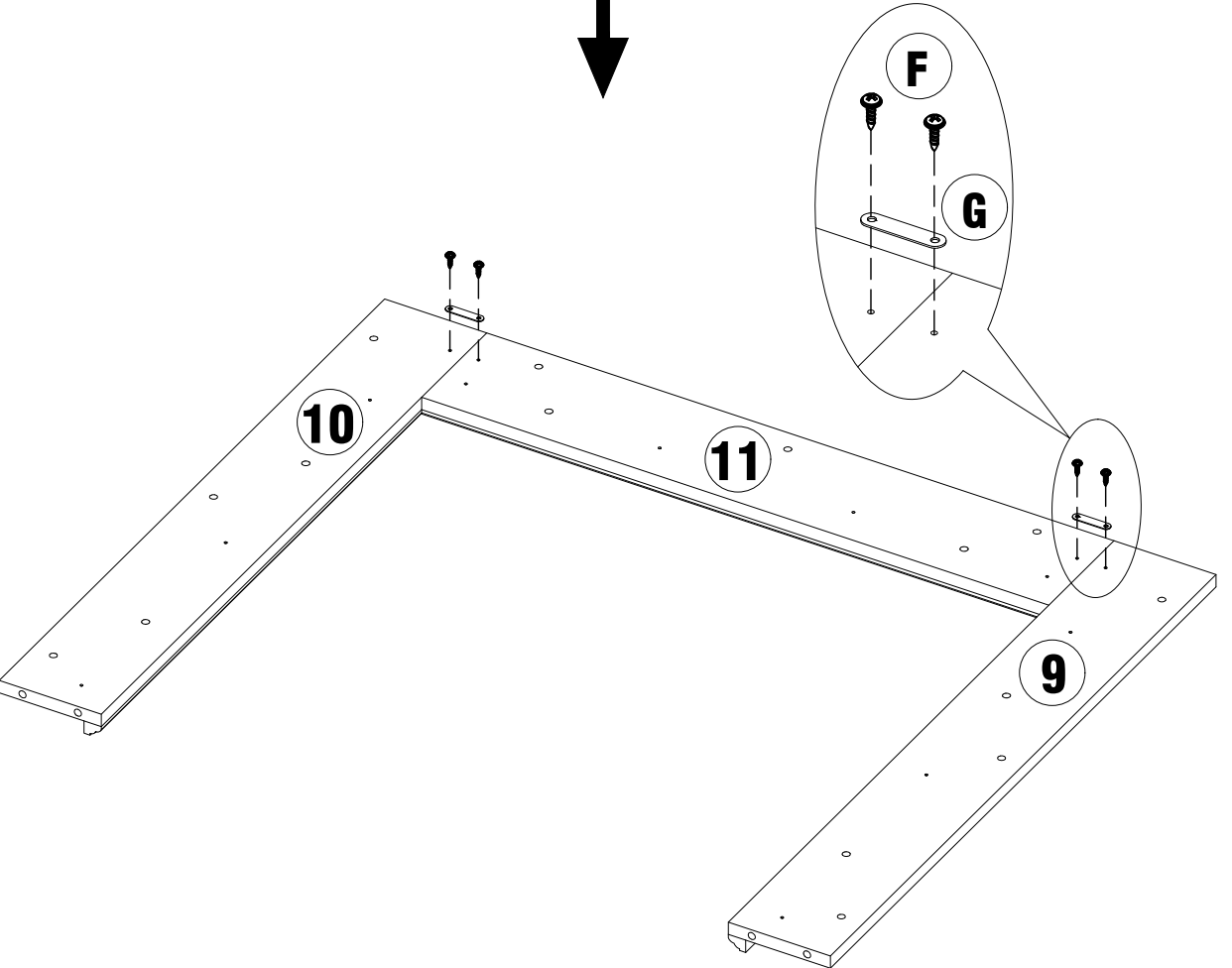
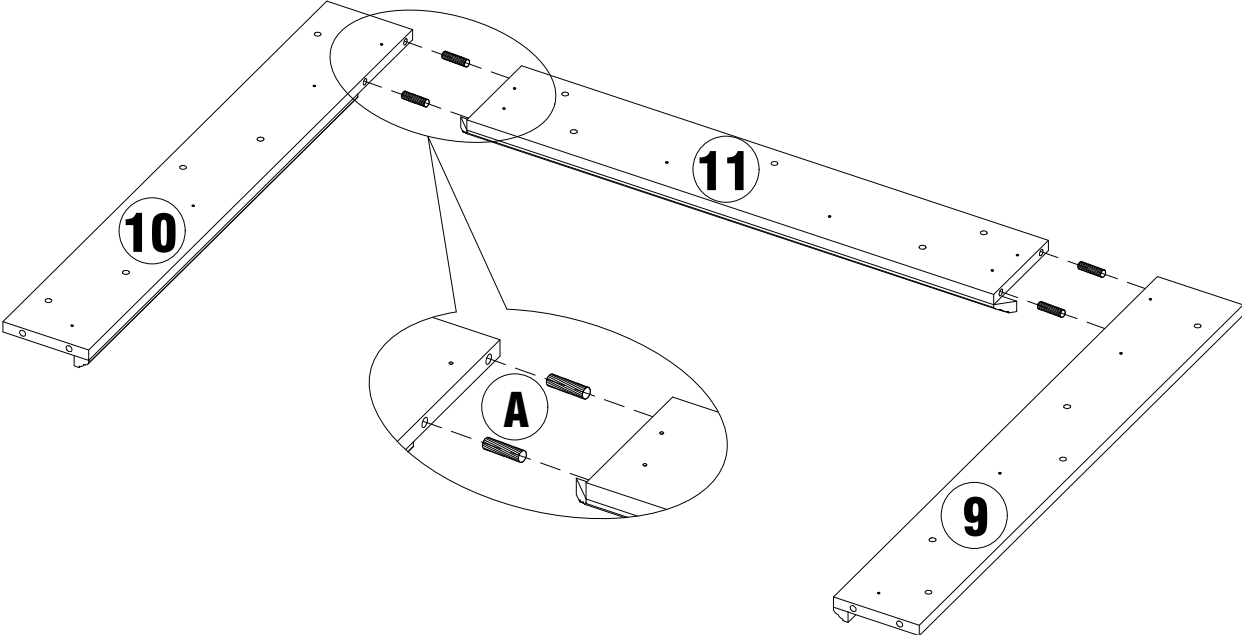


STEP 20

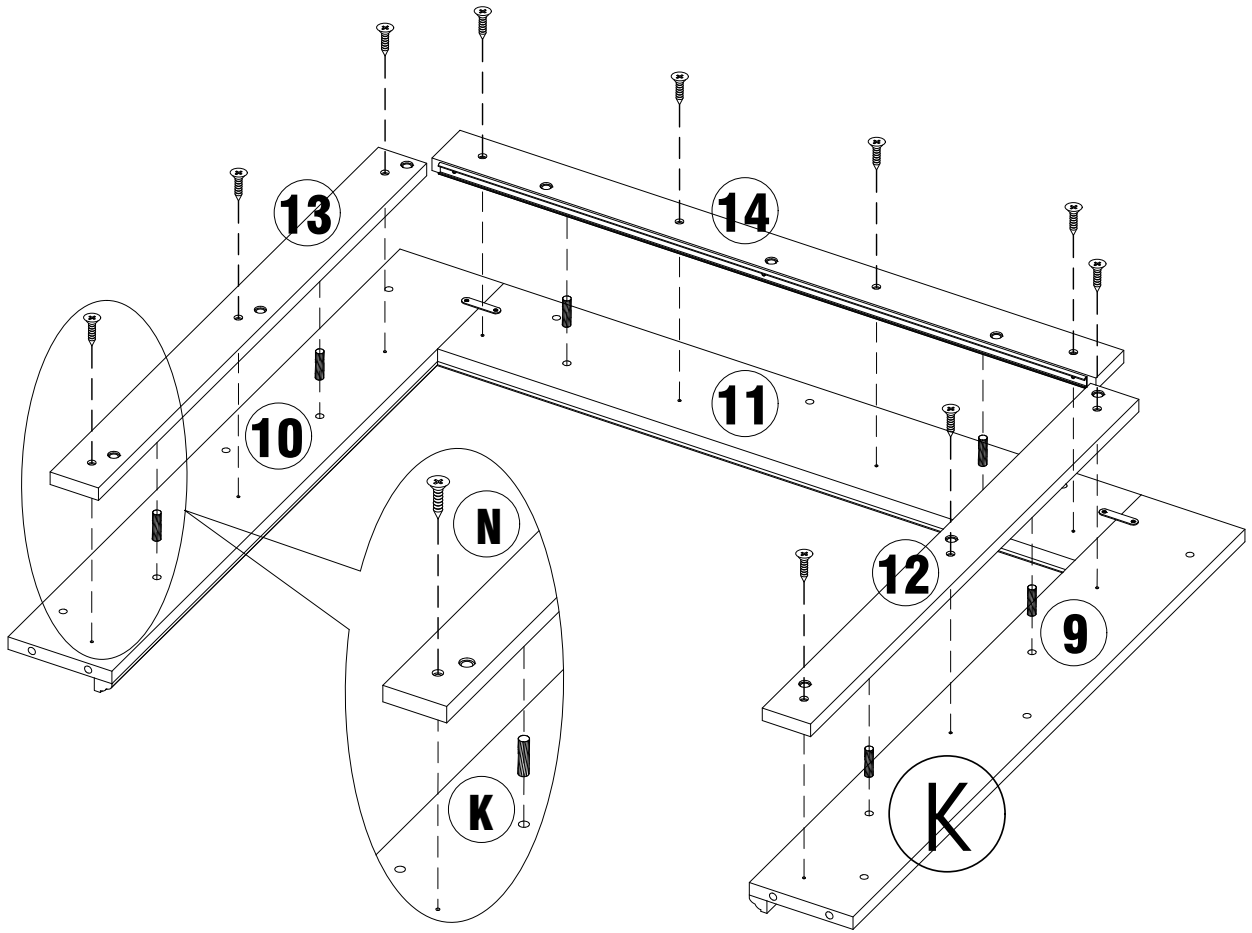
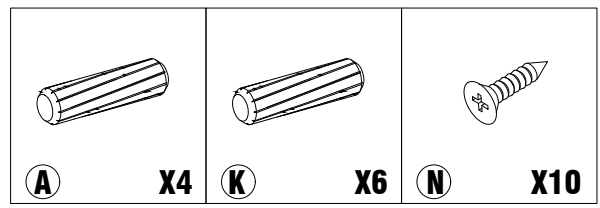


STEP 21

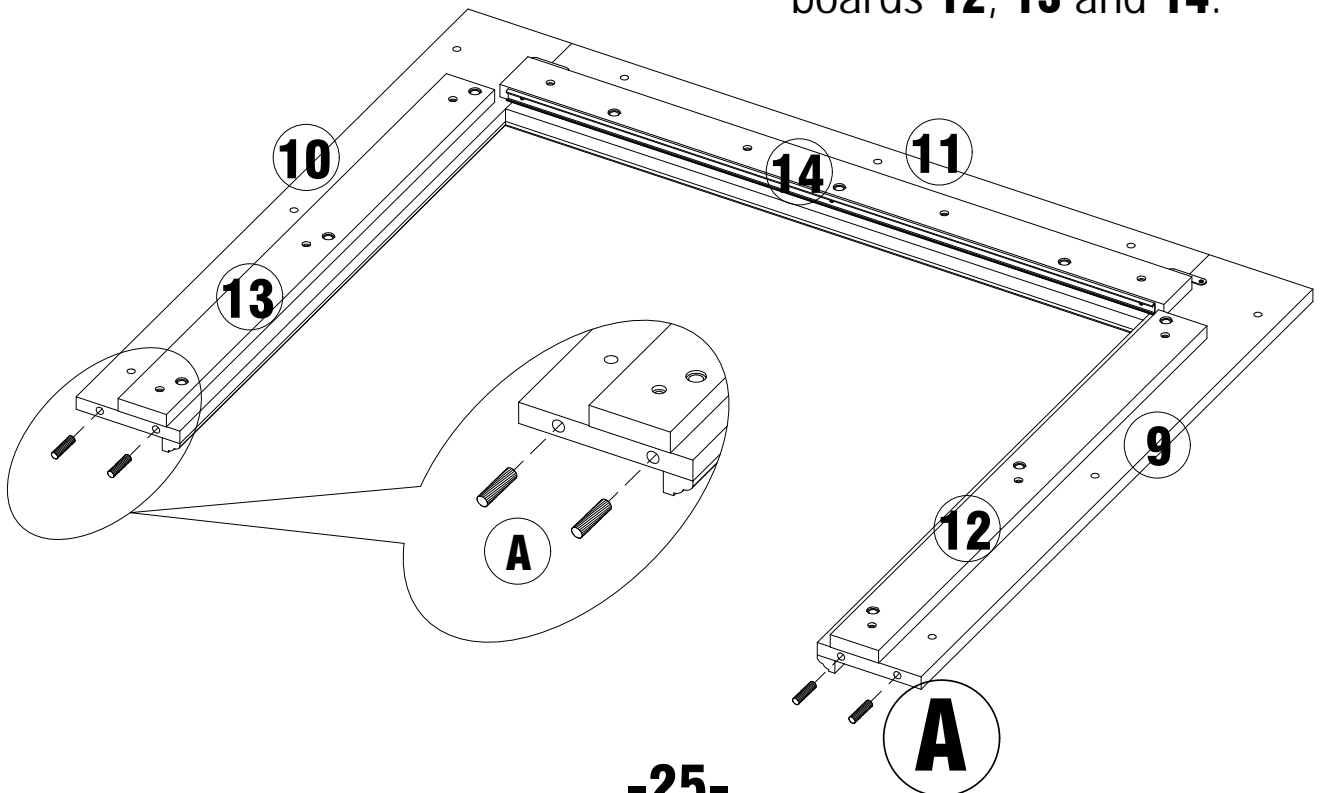
					
A	X4	F	X4	G	X2



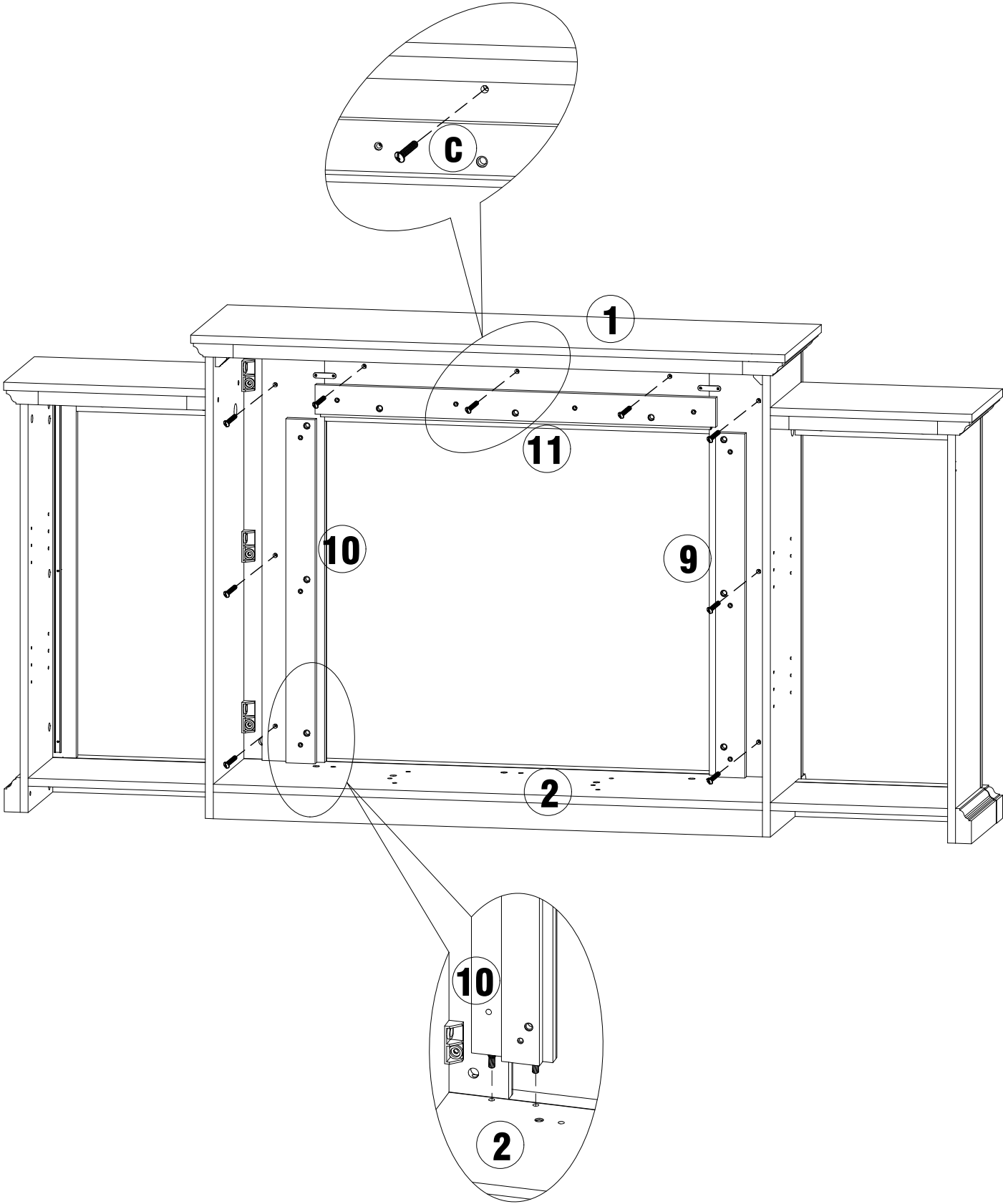
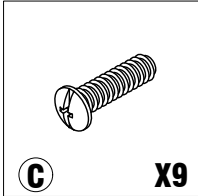
STEP 22



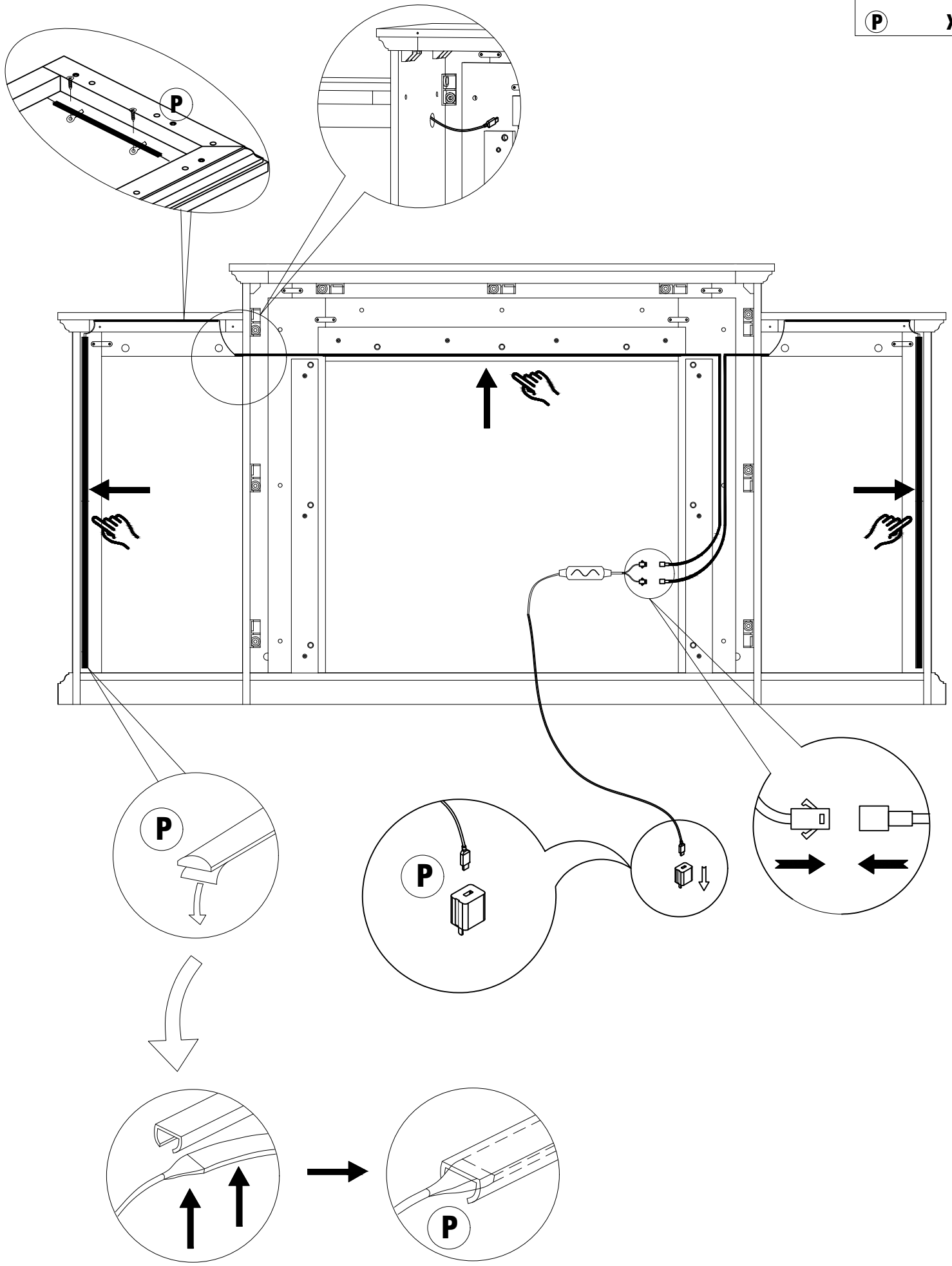
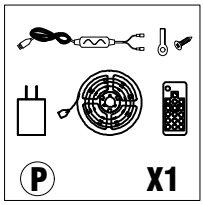
Note: Please use **6** wooden dowel pins (**K**) when assembling the steps for boards **12**, **13** and **14**.




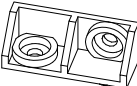
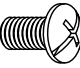


STEP 23

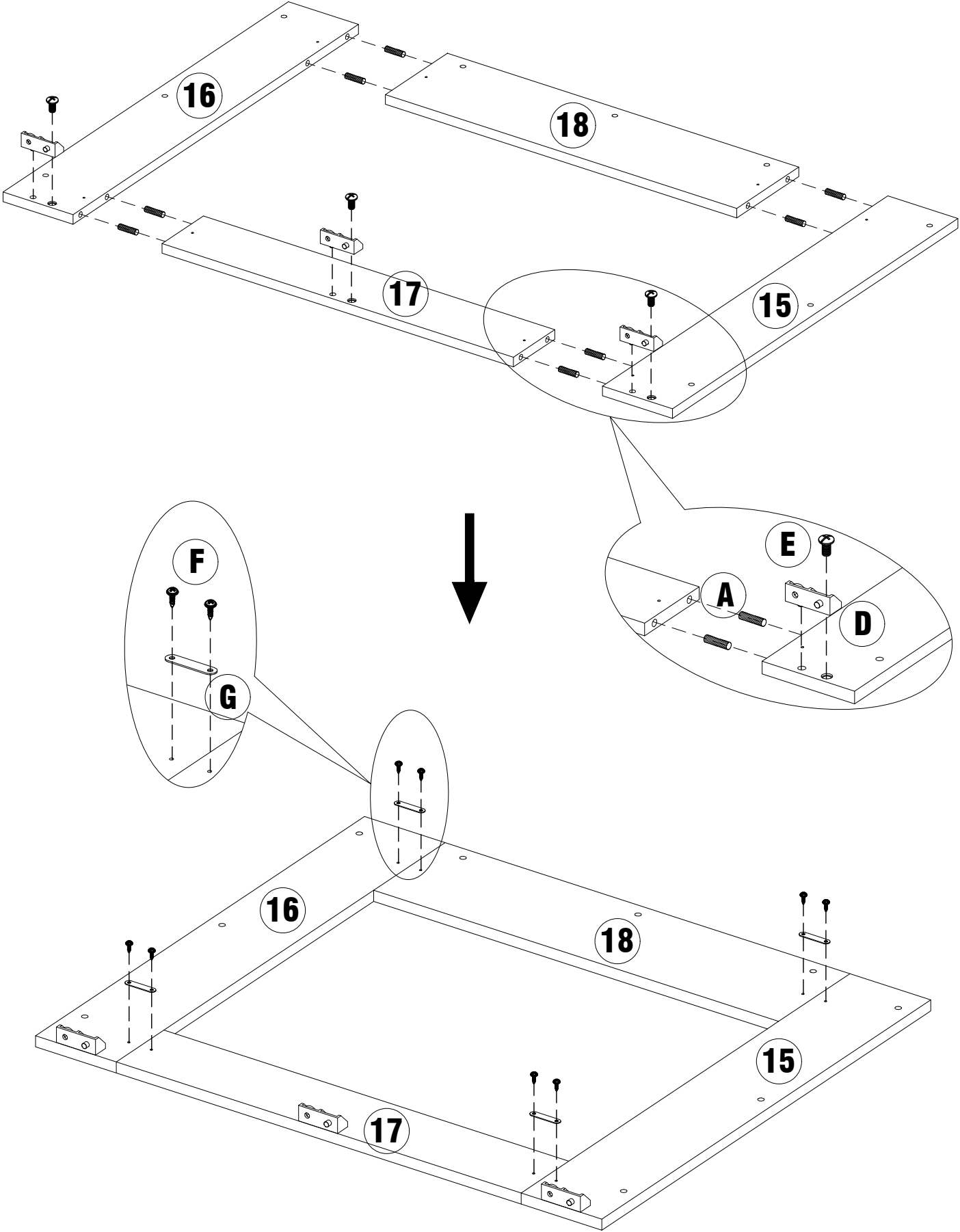


STEP 24

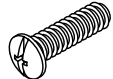
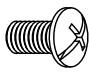


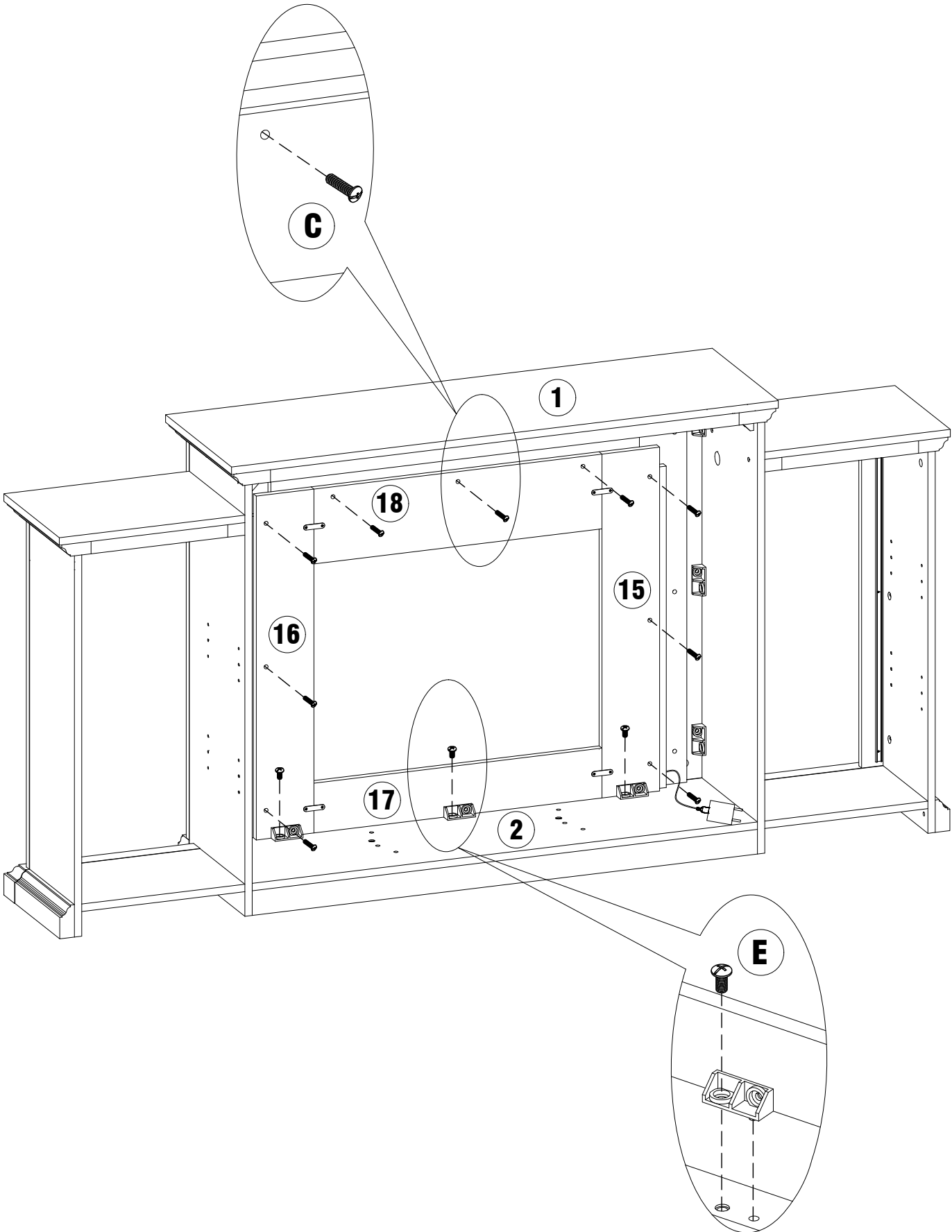
STEP 25

				
A X8	D X3	E X3	F X8	G X4

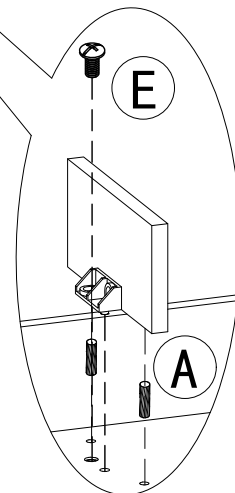
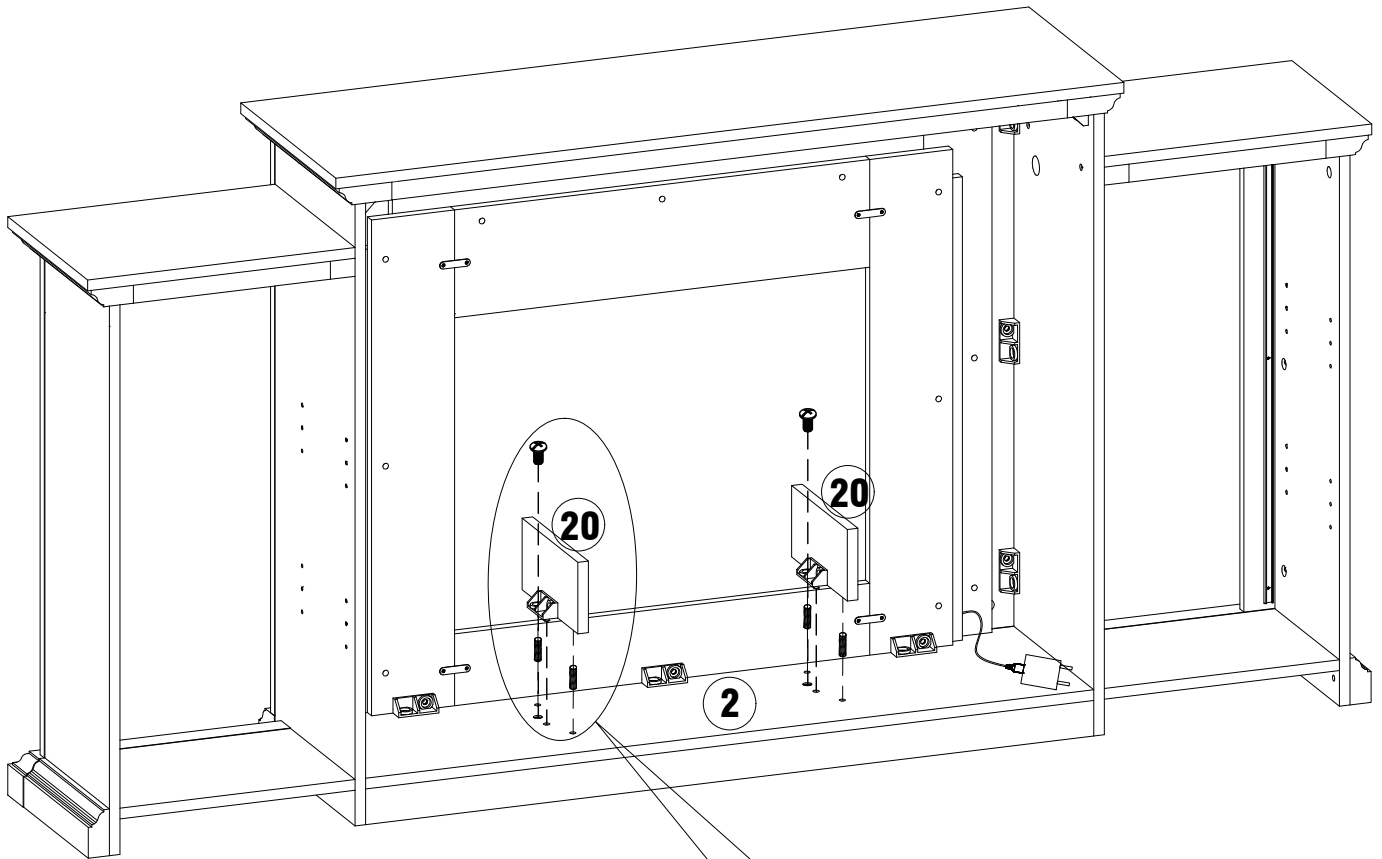
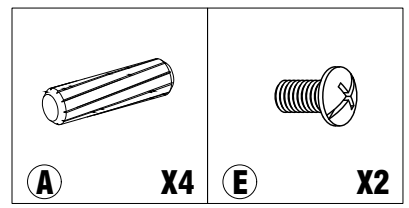


STEP 26

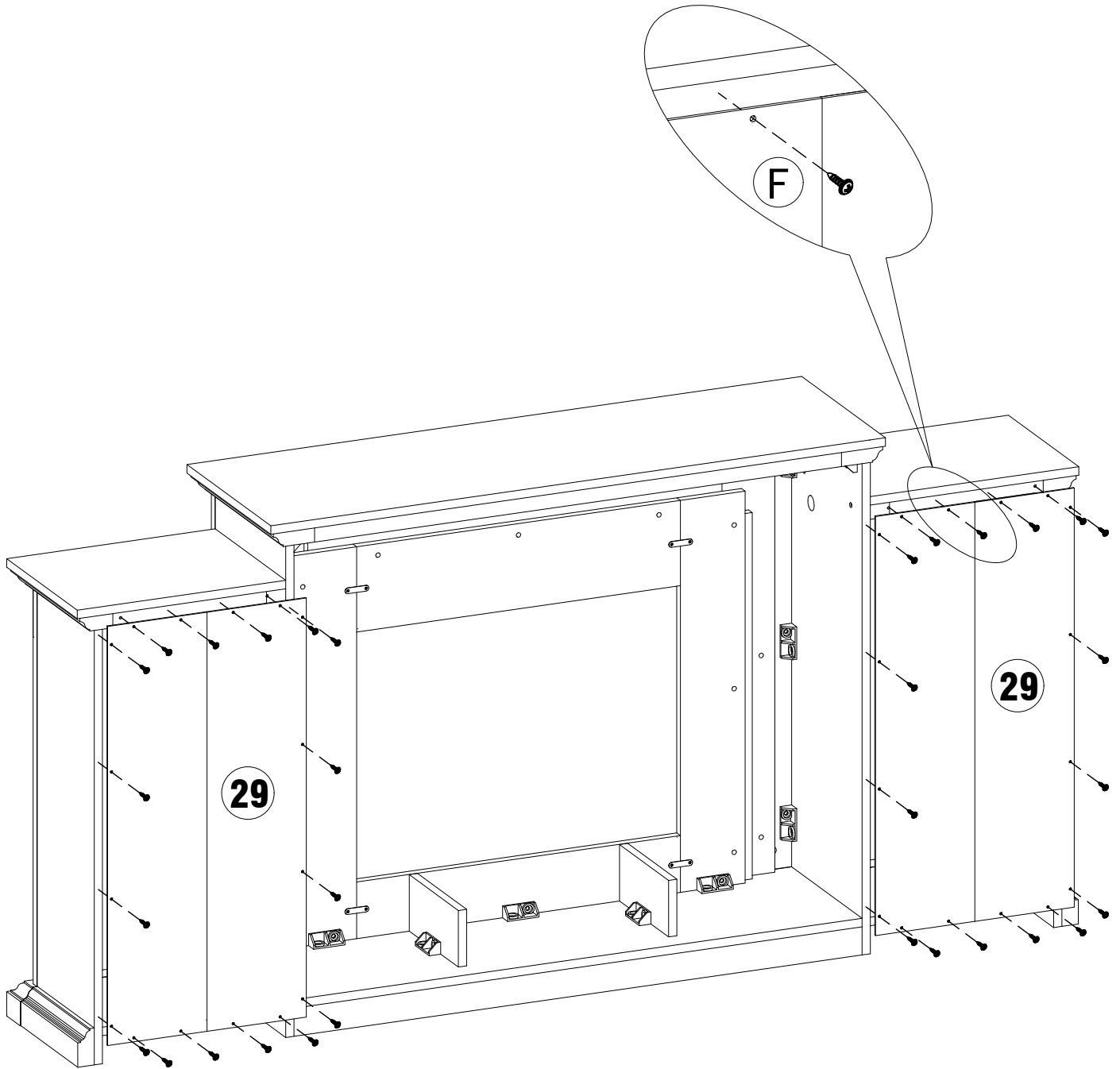
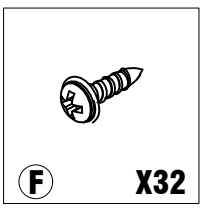
	
C	E
X9	X3



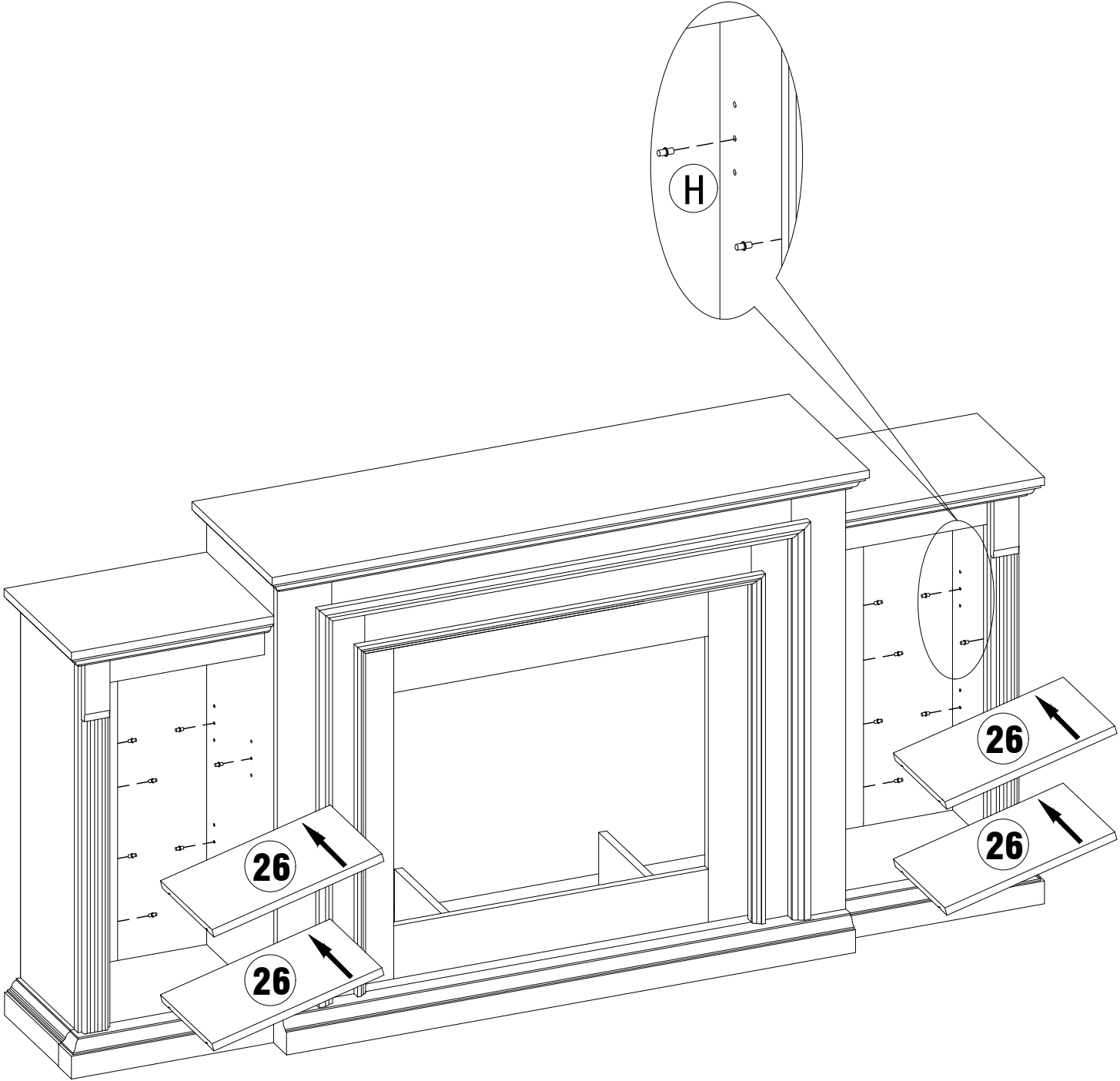
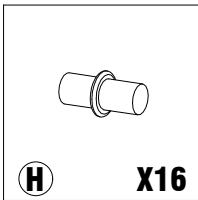
STEP 27



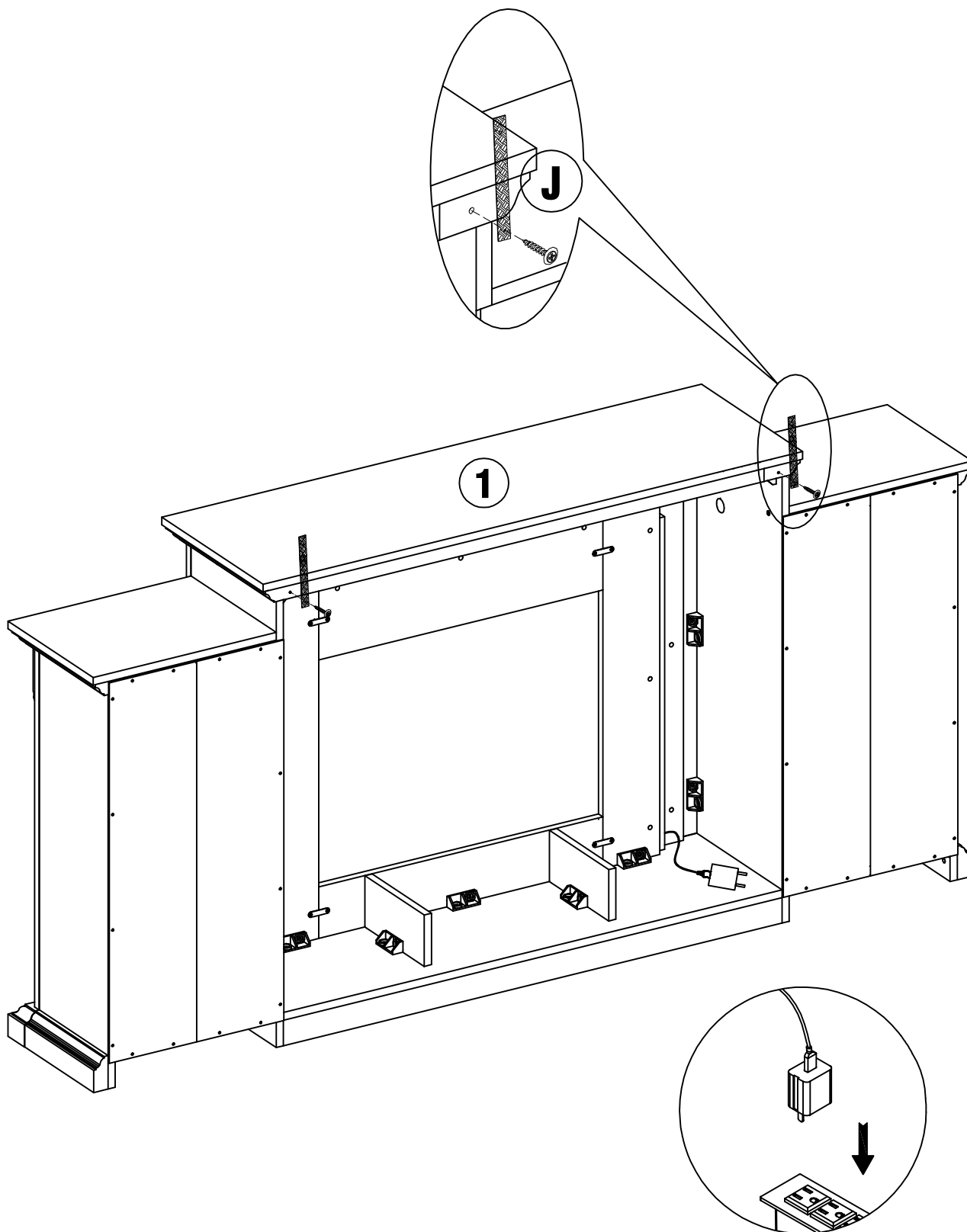
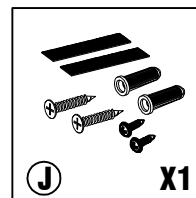
STEP 28



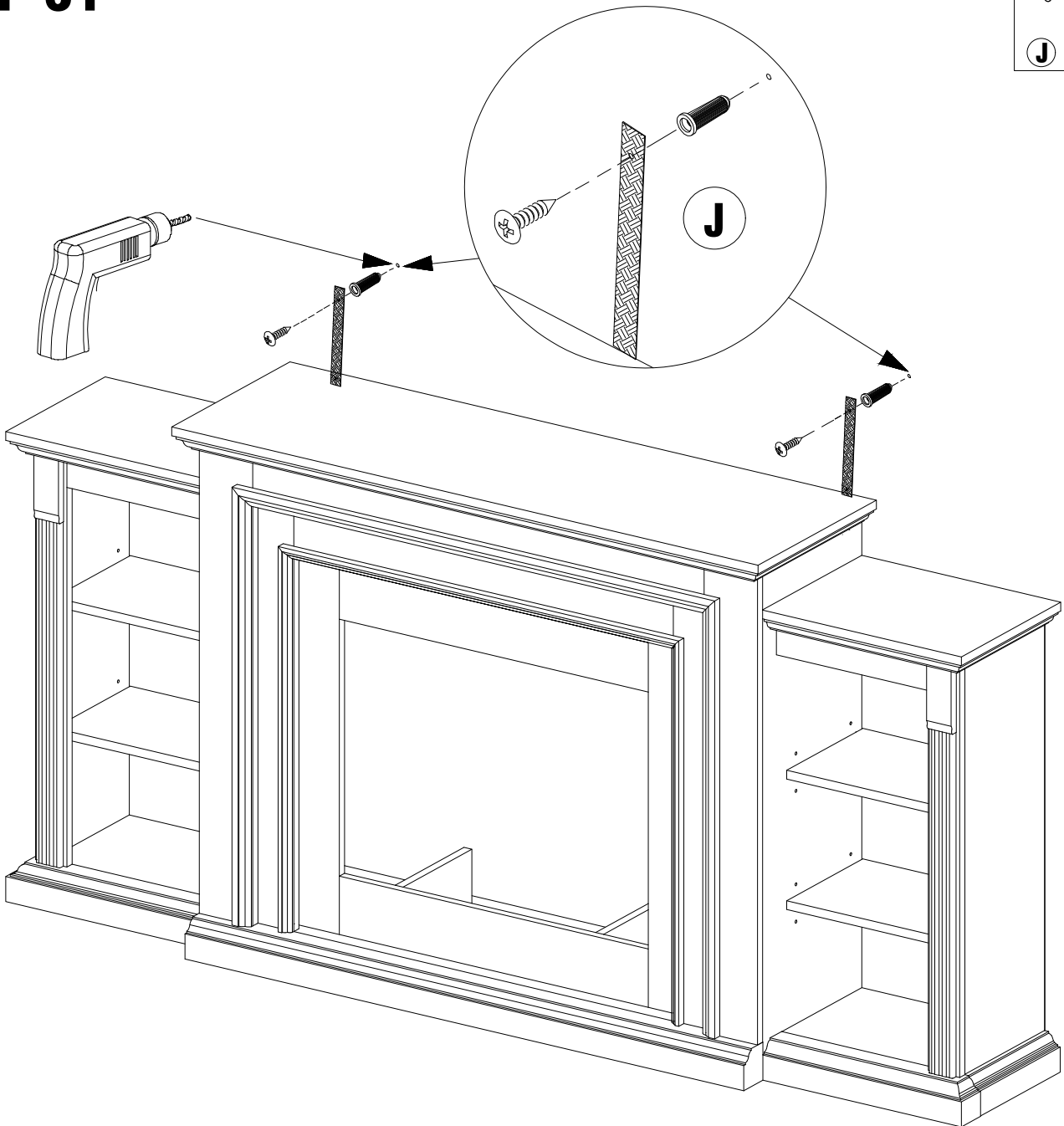
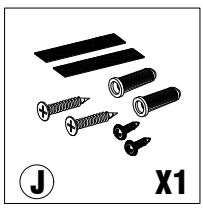
STEP 29



STEP 30



STEP 31



⚠ WARNING



**Children have died from furniture tipover.
To reduce the risk of furniture tipover:**

- ALWAYS install tipover restraint provided.
- NEVER put a TV on this product.
- NEVER allow children to stand, climb or hang on drawers, doors, or shelves.
- NEVER open more than one drawer at a time.
- Place heaviest items in the lowest drawers.

*This is a permanent label.
Do not remove!*