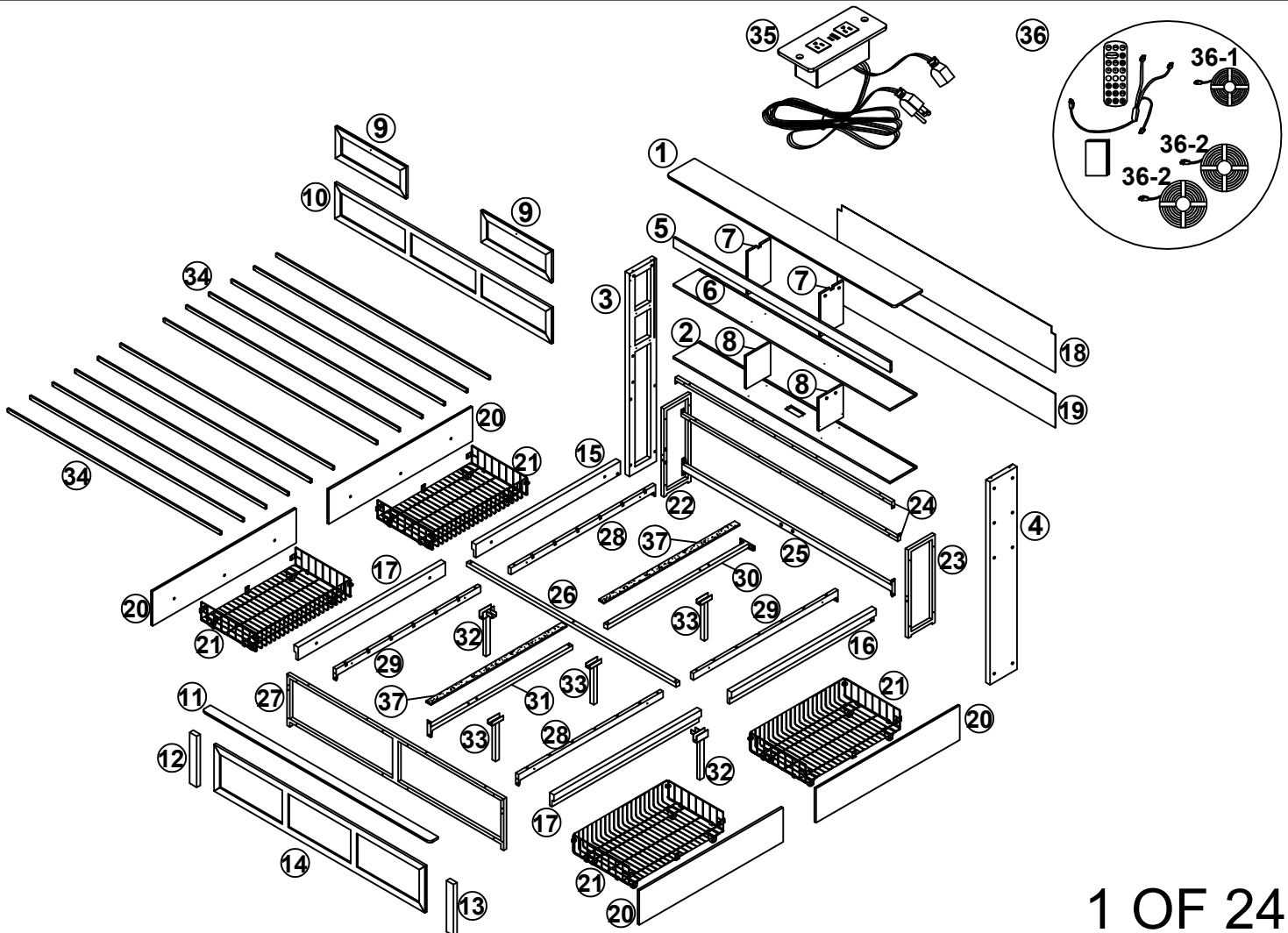


Note:

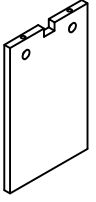
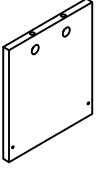
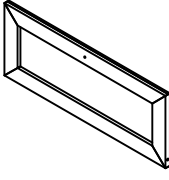
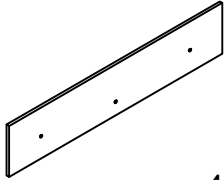
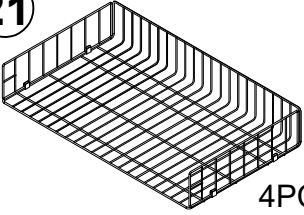
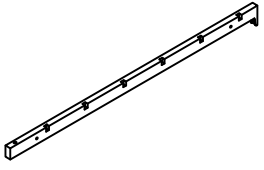
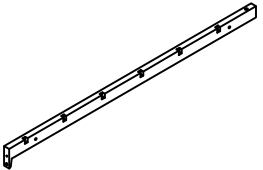
Should be assembled on flat ground to keep balance.

It needs at least two people to install.

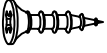
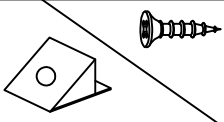

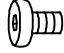

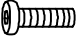
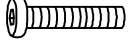

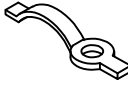
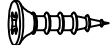


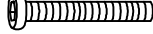




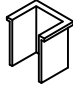
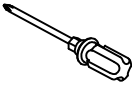

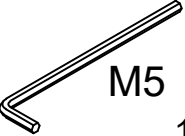



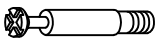

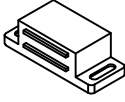
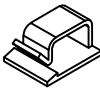
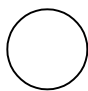
Before starting the assembly, you must read the whole manual and follow the instructions.





Part list for B box

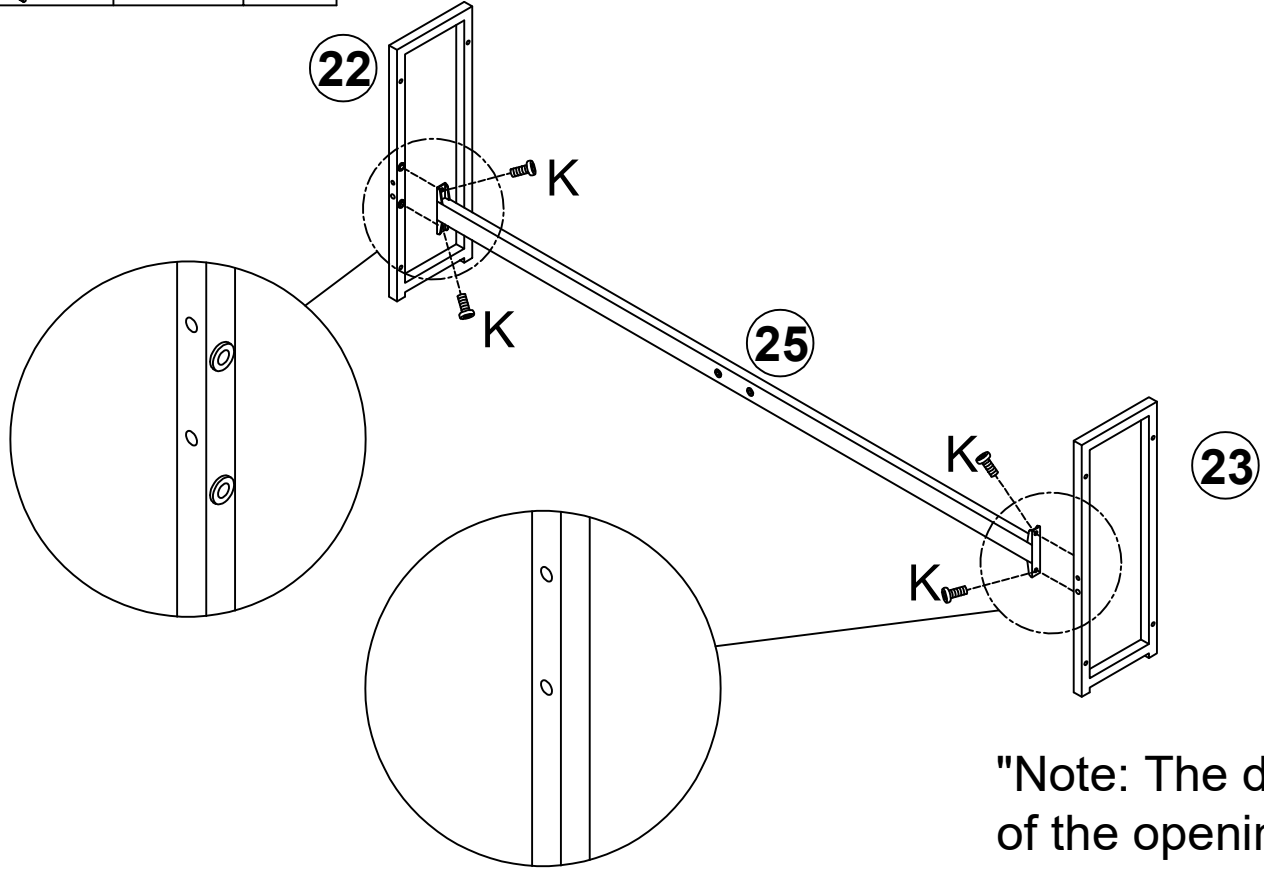
<p>7</p>  <p>2PCS</p>	<p>8</p>  <p>2PCS</p>	<p>9</p>  <p>2PCS</p>	<p>20</p>  <p>4PCS</p>
<p>21</p>  <p>4PCS</p>	<p>28</p>  <p>2PCS</p>	<p>29</p>  <p>2PCS</p>	

Hardware list for A box

<p>A M3x14</p>  <p>4PCS</p>	<p>B</p>  <p>8+1PCS</p>	<p>C M5x40</p>  <p>8+1PCS</p>	<p>D M6x10</p>  <p>16+2PCS</p>	<p>E M6x18</p>  <p>4PCS</p>
<p>F M6x28</p>  <p>44+4PCS</p>	<p>G M6x40</p>  <p>4PCS</p>	<p>H</p>  <p>2PCS</p>	<p>I</p>  <p>3+1PC</p>	<p>J M3.5x12</p>  <p>7+1PCS</p>
<p>K M8x16</p>  <p>8PCS</p>	<p>L M8x35</p>  <p>8PCS</p>	<p>M M8x55</p>  <p>5PCS</p>	<p>N</p>  <p>16PCS</p>	<p>O</p>  <p>8PCS</p>
<p>P</p>  <p>12PCS</p>	<p>Q M6x20</p>  <p>4PCS</p>	<p>R</p>  <p>24+3PCS</p>	<p>S</p>  <p>1PC</p>	<p>T</p>  <p>M4 2PCS</p>
<p>U</p>  <p>M5 1PC</p>	<p>V</p>  <p>4PCS</p>	<p>W</p>  <p>2PCS</p>	<p>X M4x18</p>  <p>2PCS</p>	<p>Y</p>  <p>27+2PCS</p>
<p>Z</p>  <p>27+2PCS</p>	<p>AA</p>  <p>2PCS</p>	<p>AB</p>  <p>4PCS</p>	<p>AC</p>  <p>16+1PCS</p>	

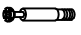

Step 1

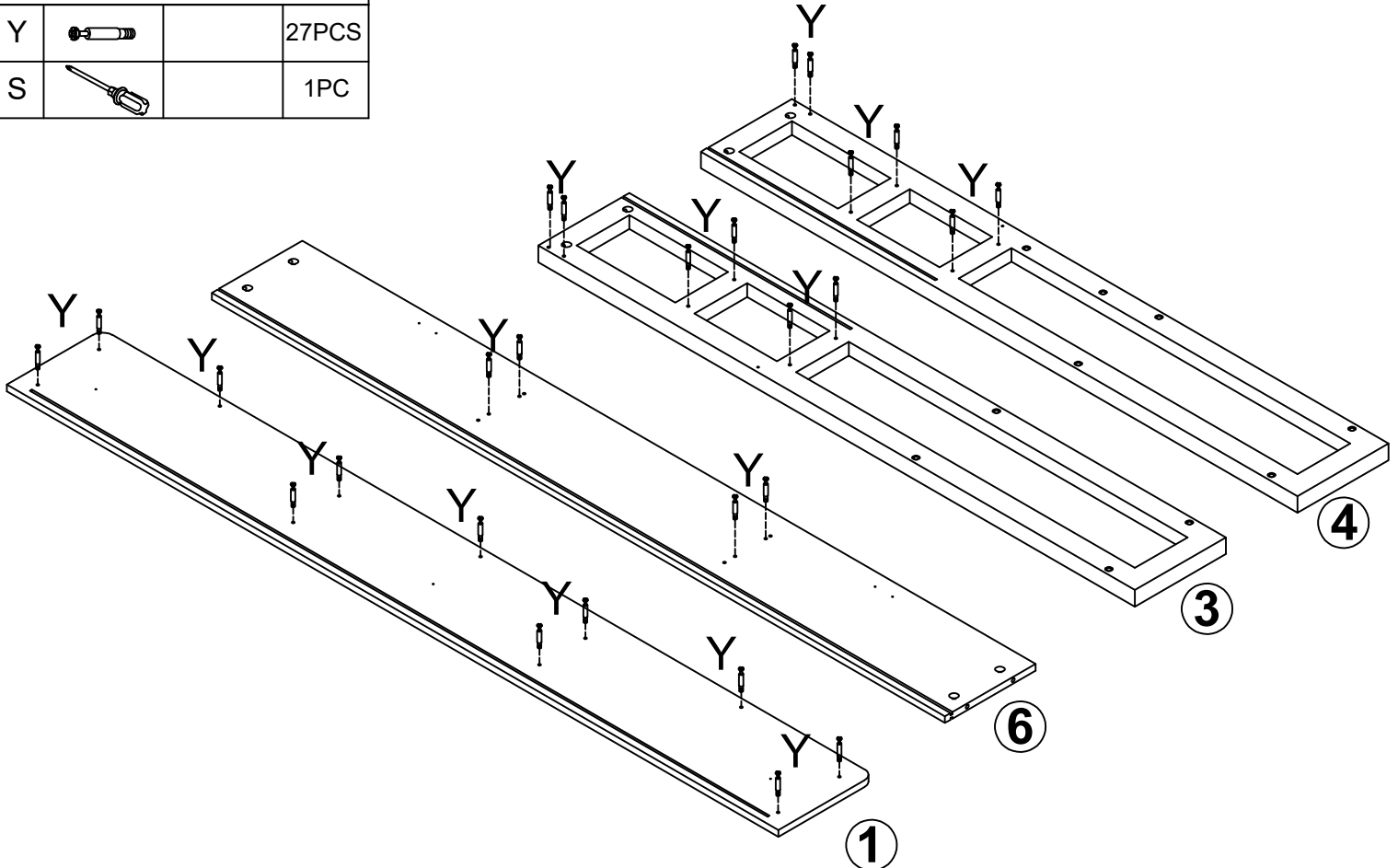
K		M8x16	4PCS
U		M5	1PC





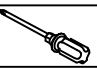
"Note: The direction of the opening."

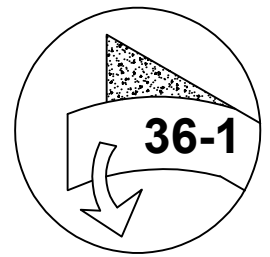
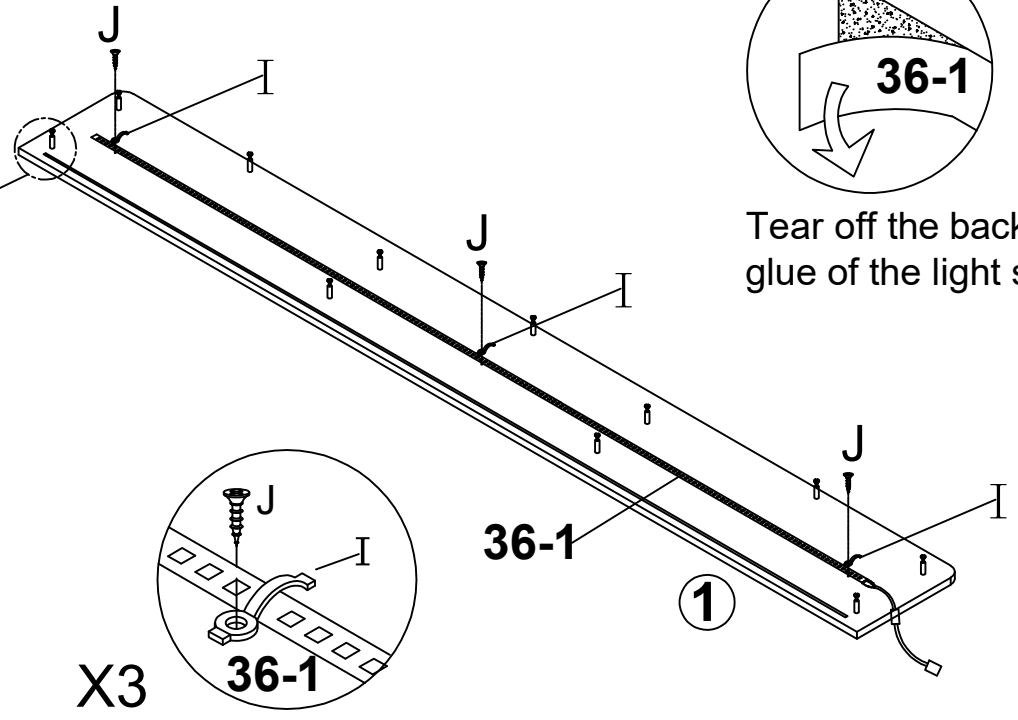
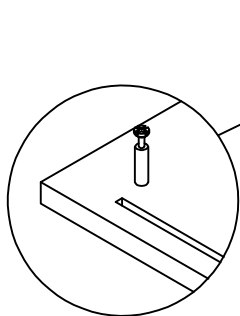
Step 2

Y			27PCS
S			1PC




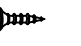

Step 3

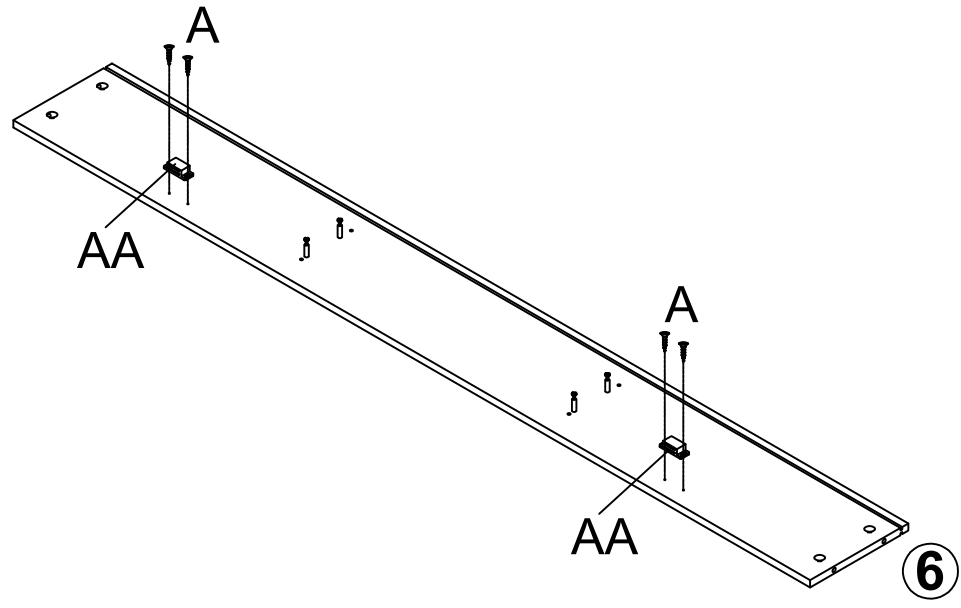
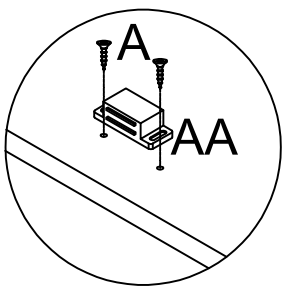
I			3PCS
J		M3.5x12	3PCS
S			1PC





Tear off the back glue of the light strip.

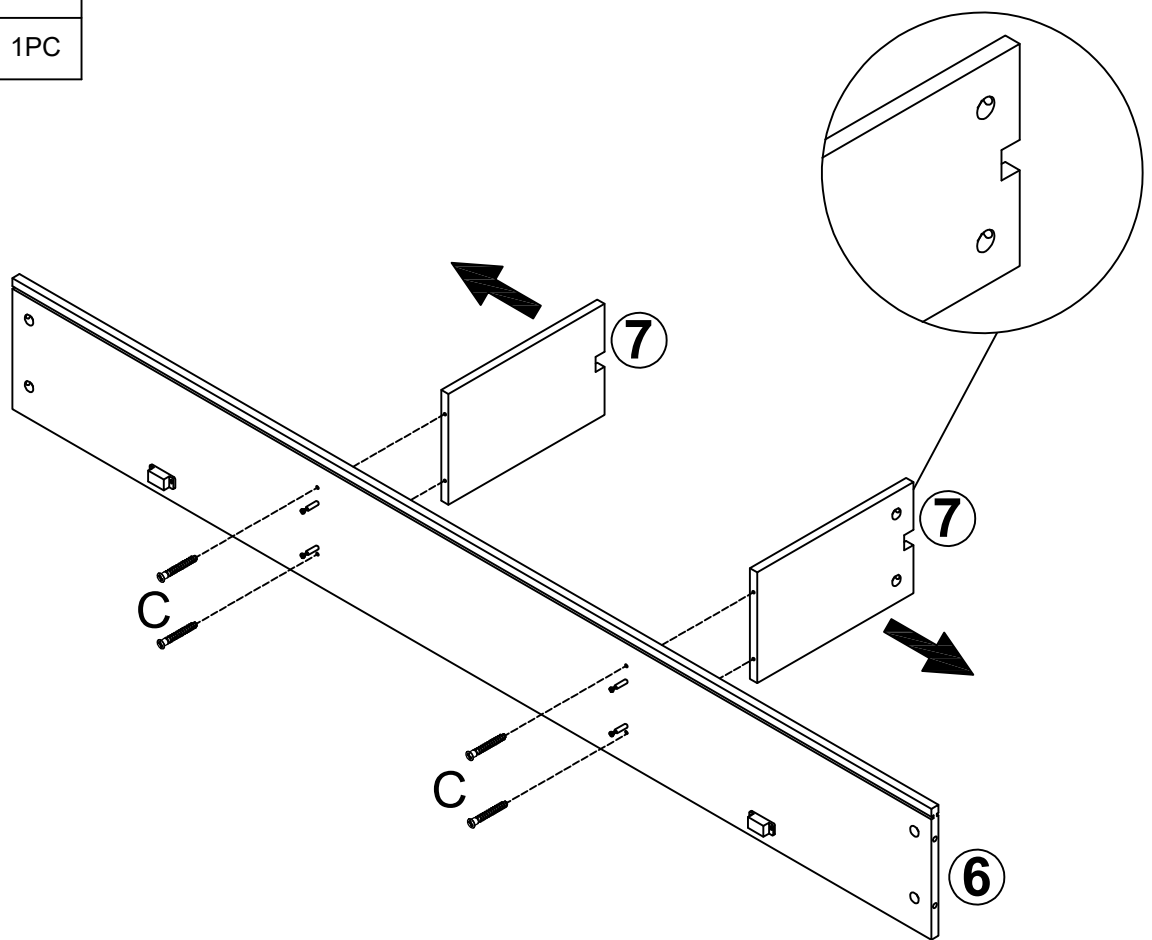
Step 4

AA			2PCS
A		M3x14	4PCS
S			1PC





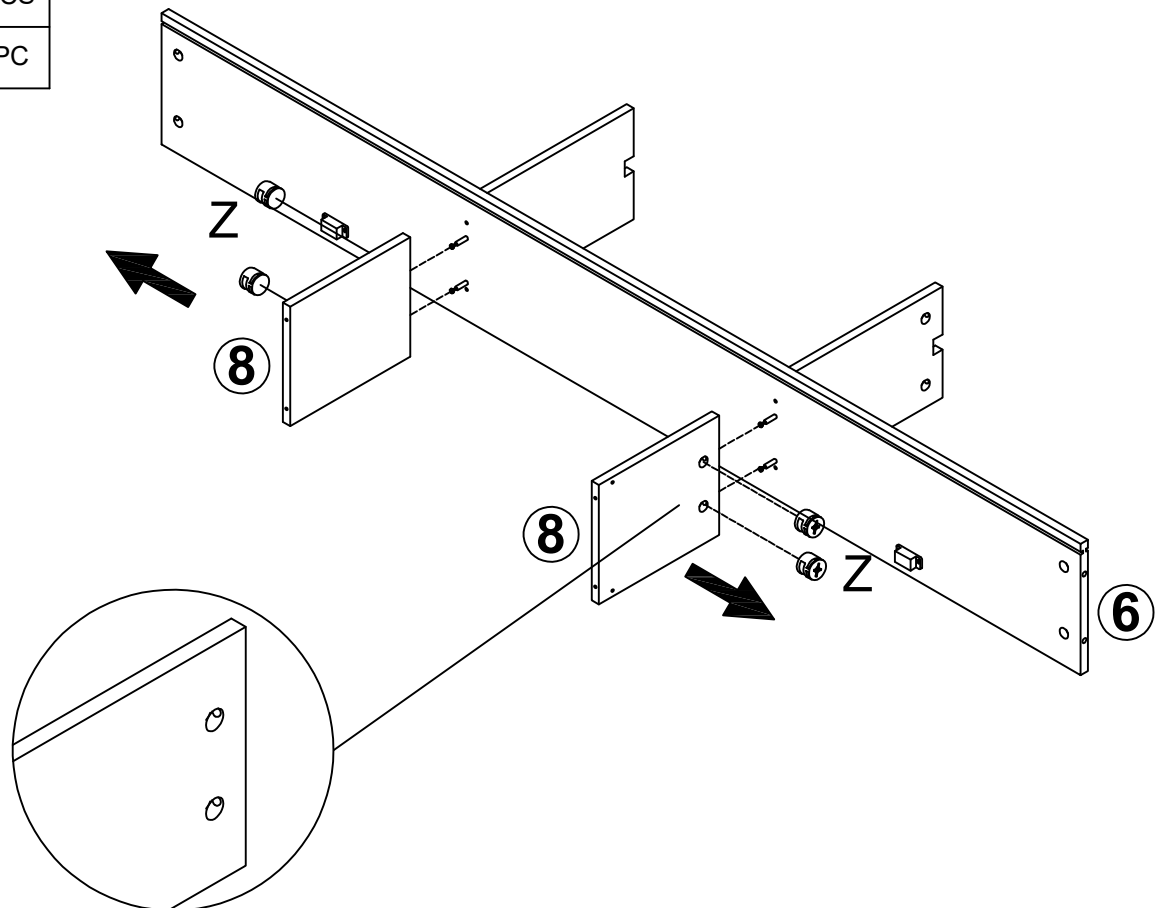
Step 5

C		M5x40	4PCS
S			1PC


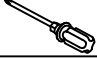


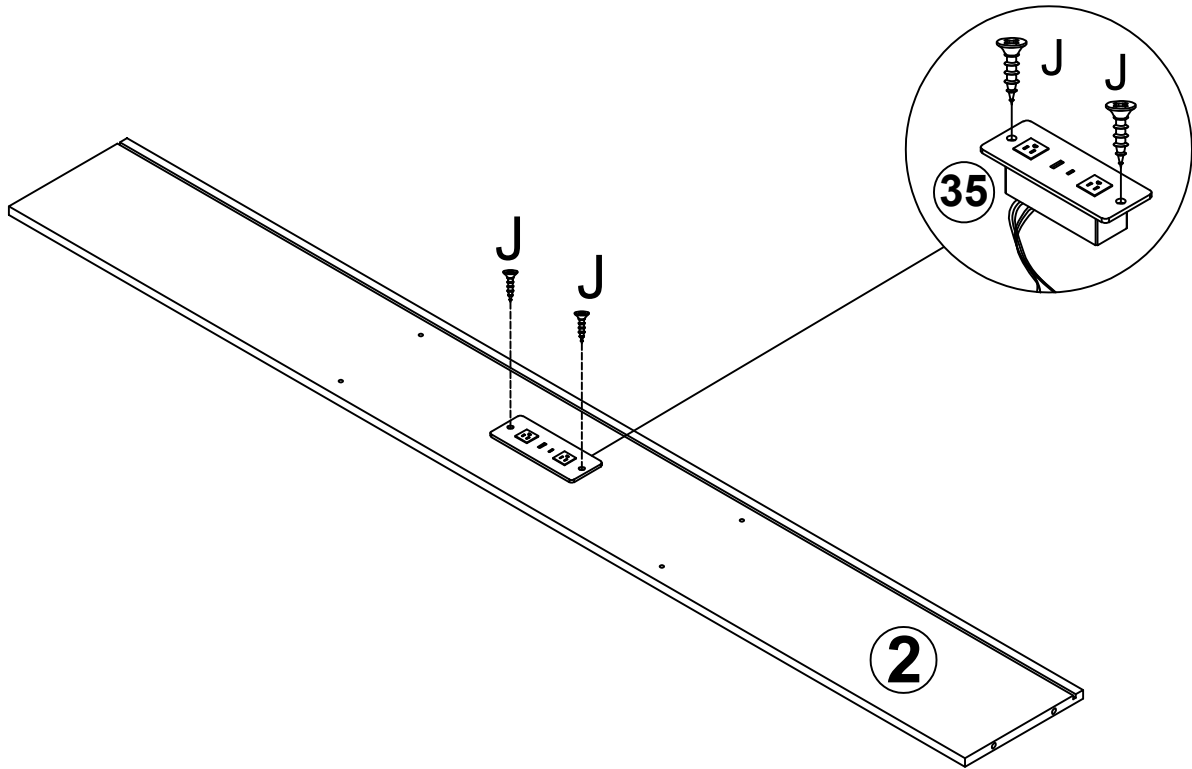
Step 6

Z			4PCS
S			1PC





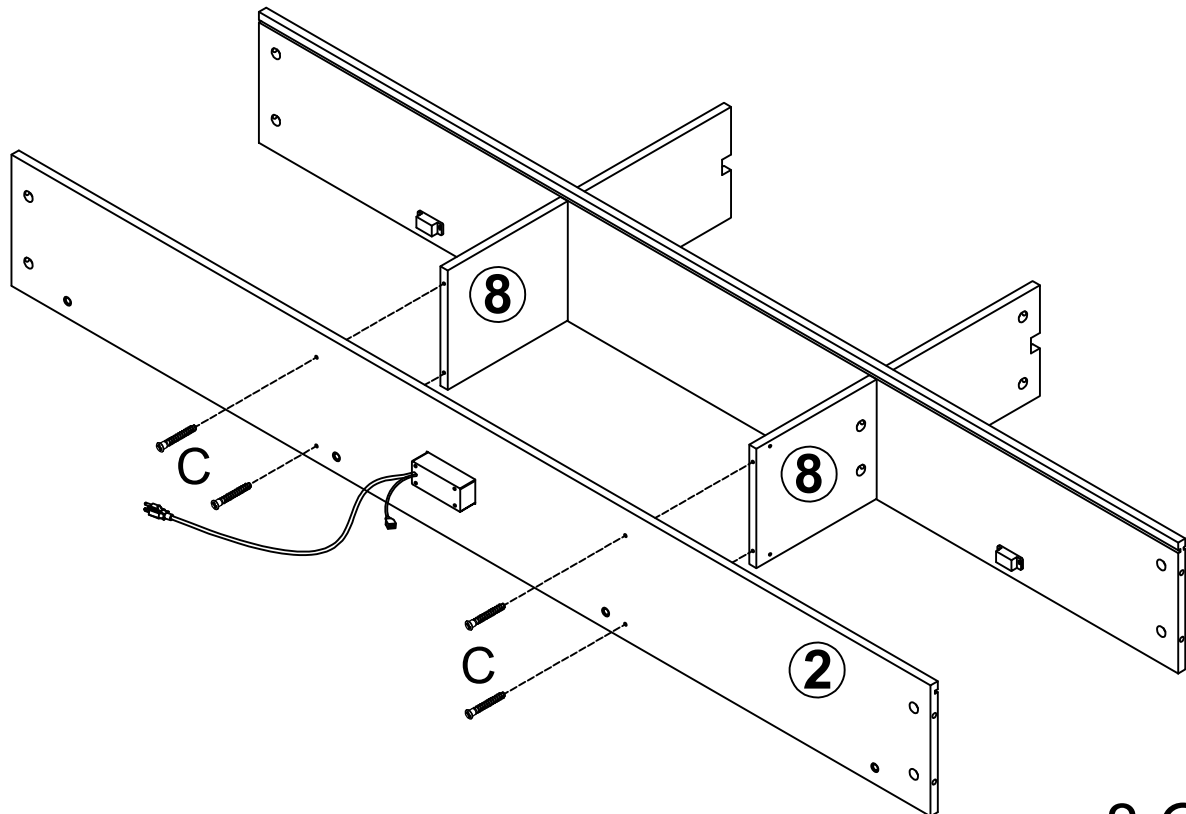
Step 7

J		M3.5x12	2PCS
S			1PC


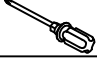


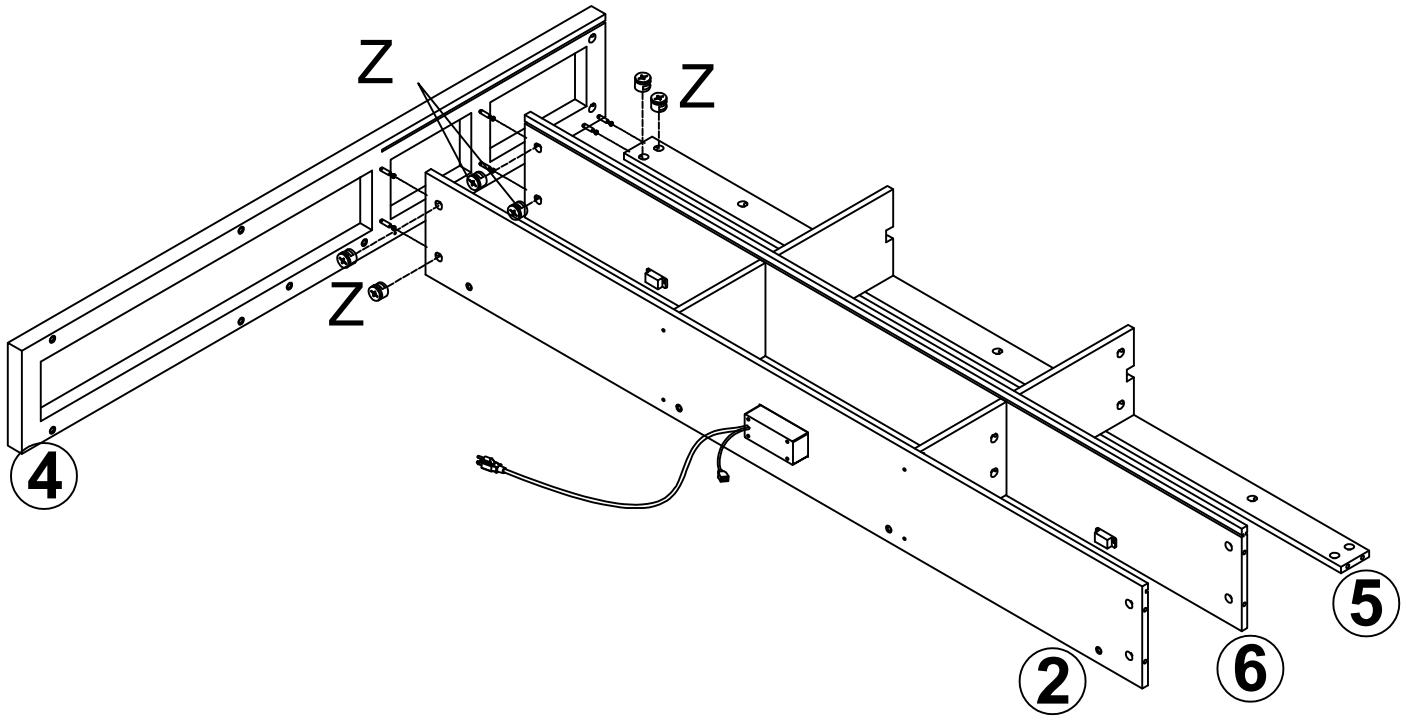
Step 8

C		M5x40	4PCS
S			1PC

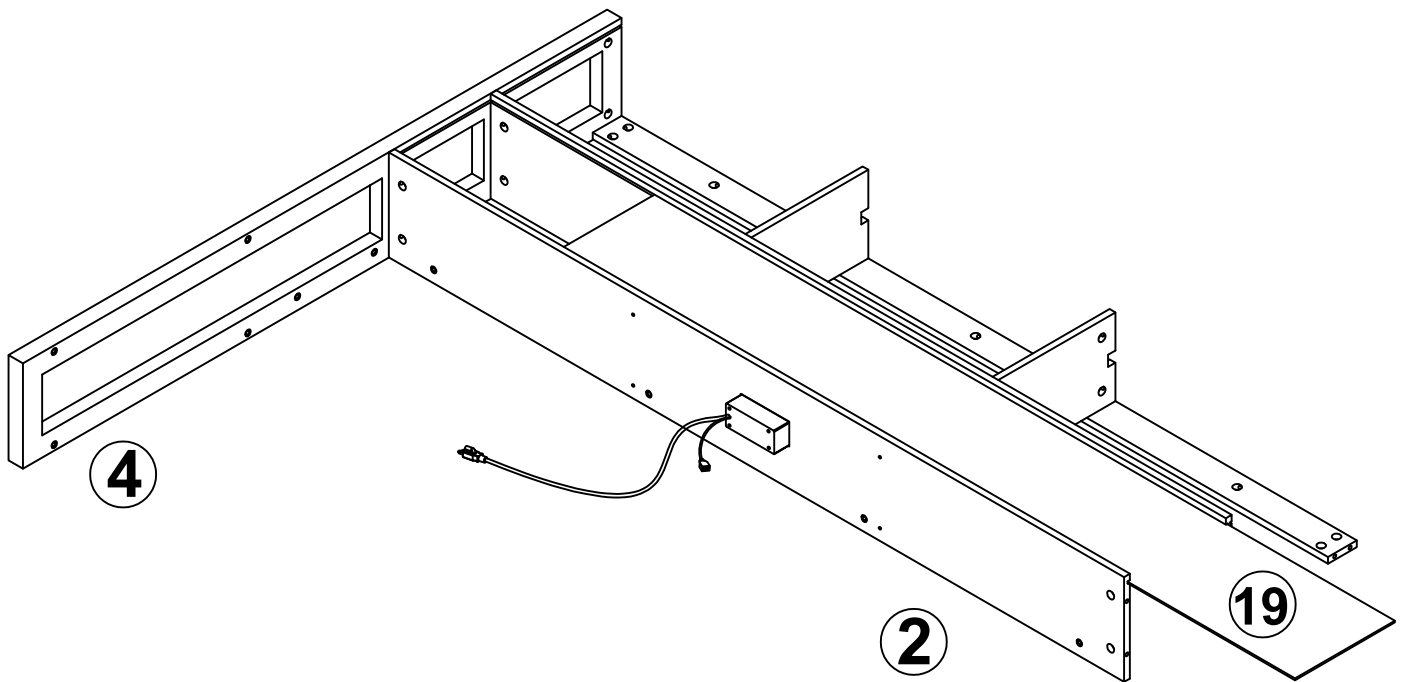


Step 9

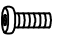

Z			6PCS
S			1PC

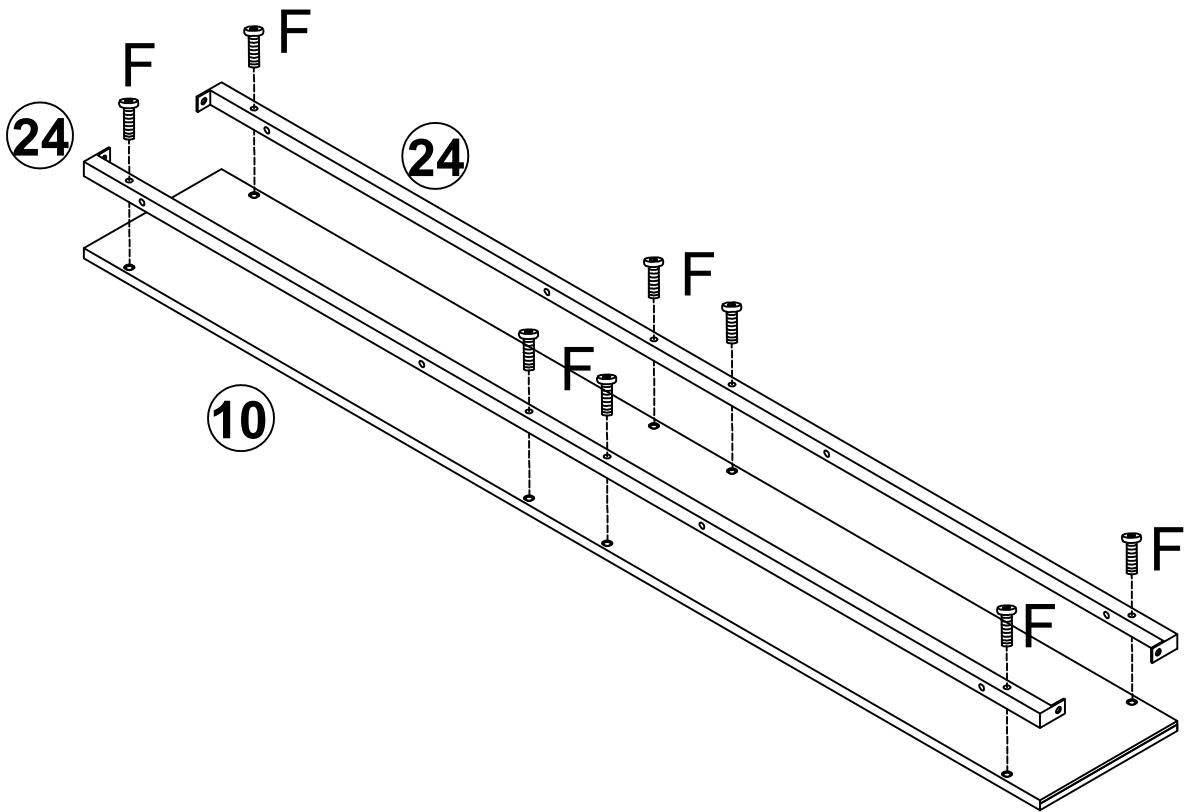


Step 10

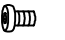
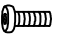



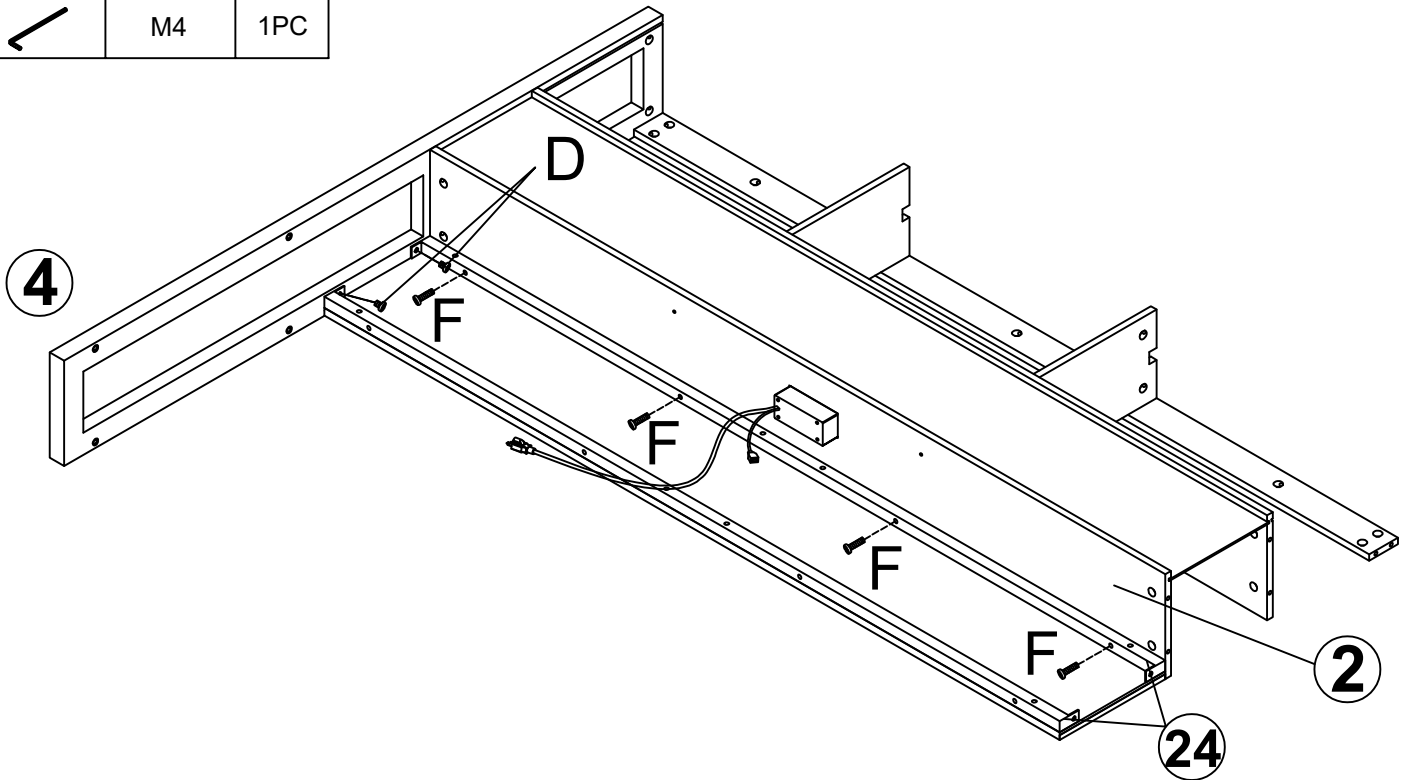
Step 11

F		M6x28	8PCS
T		M4	1PC





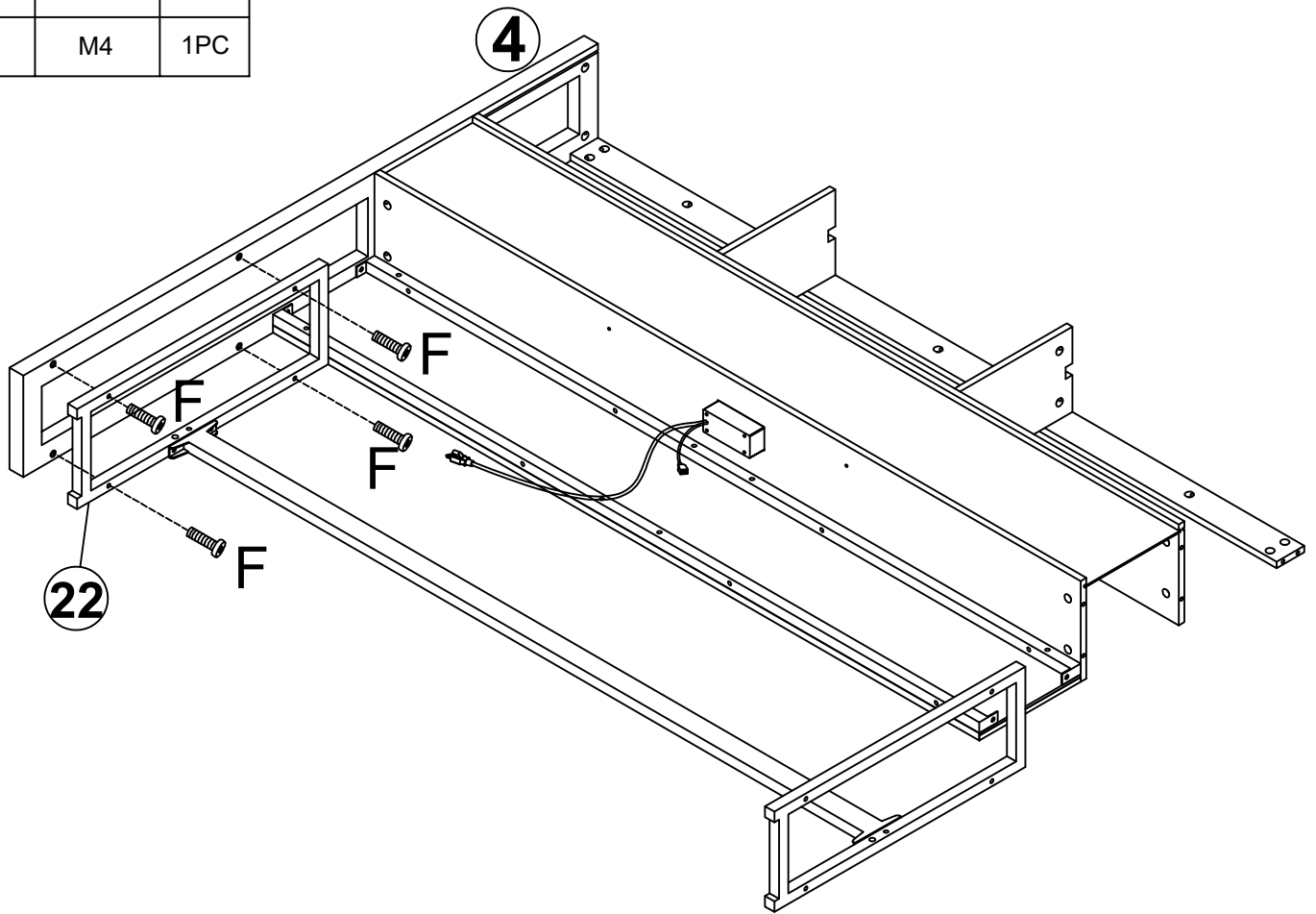
Step 12

D		M6x10	2PCS
F		M6x28	4PCS
T		M4	1PC



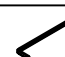


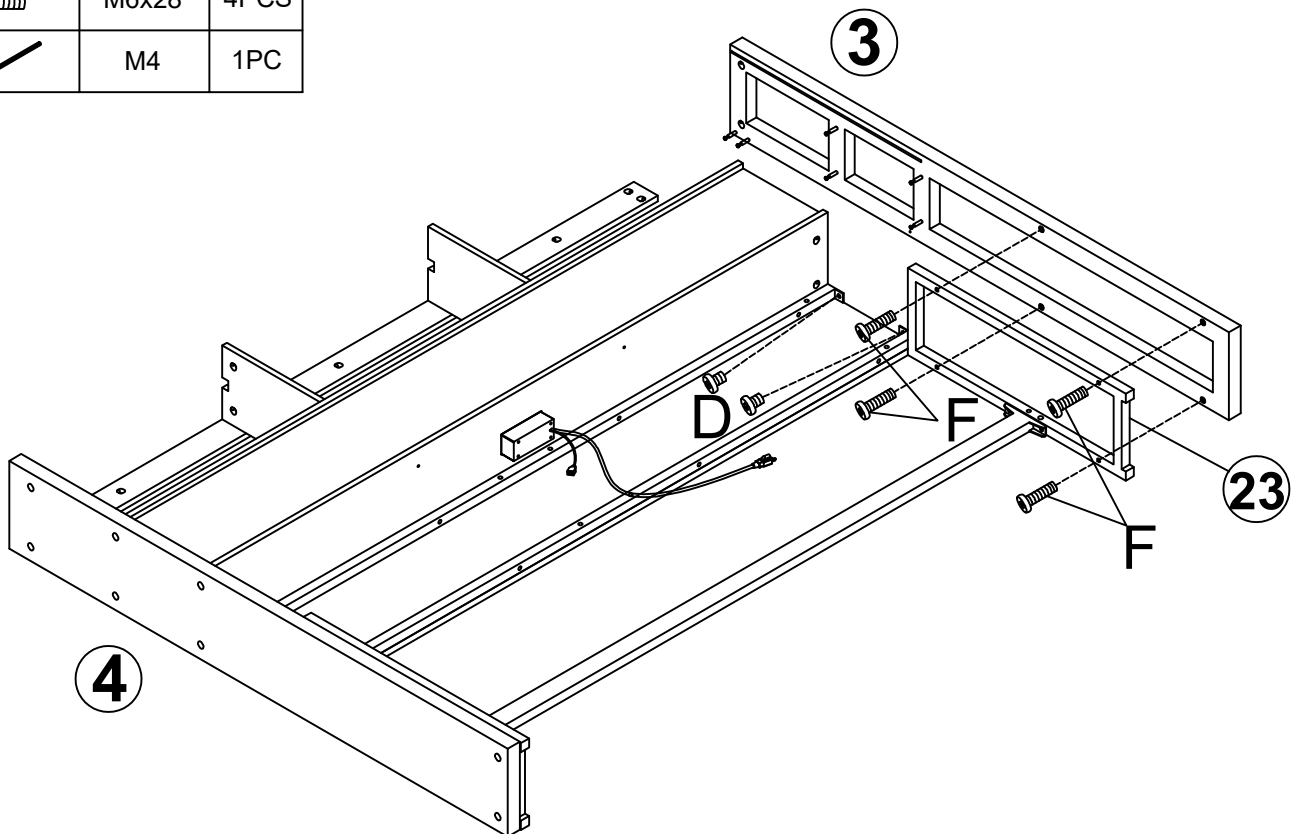
Step 13

F		M6x28	4PCS
T		M4	1PC


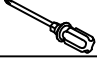


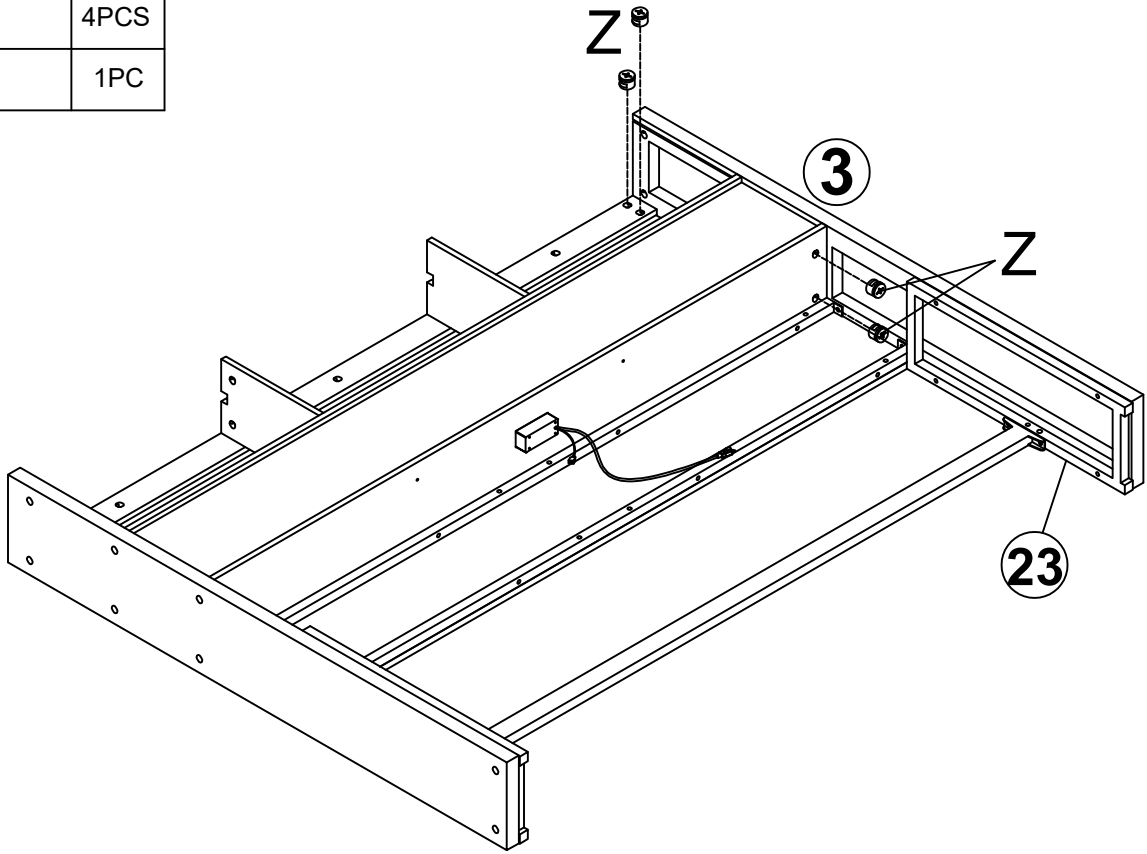
Step 14

D		M6x10	2PCS
F		M6x28	4PCS
T		M4	1PC





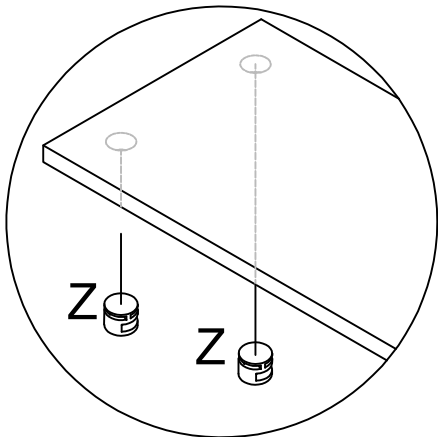
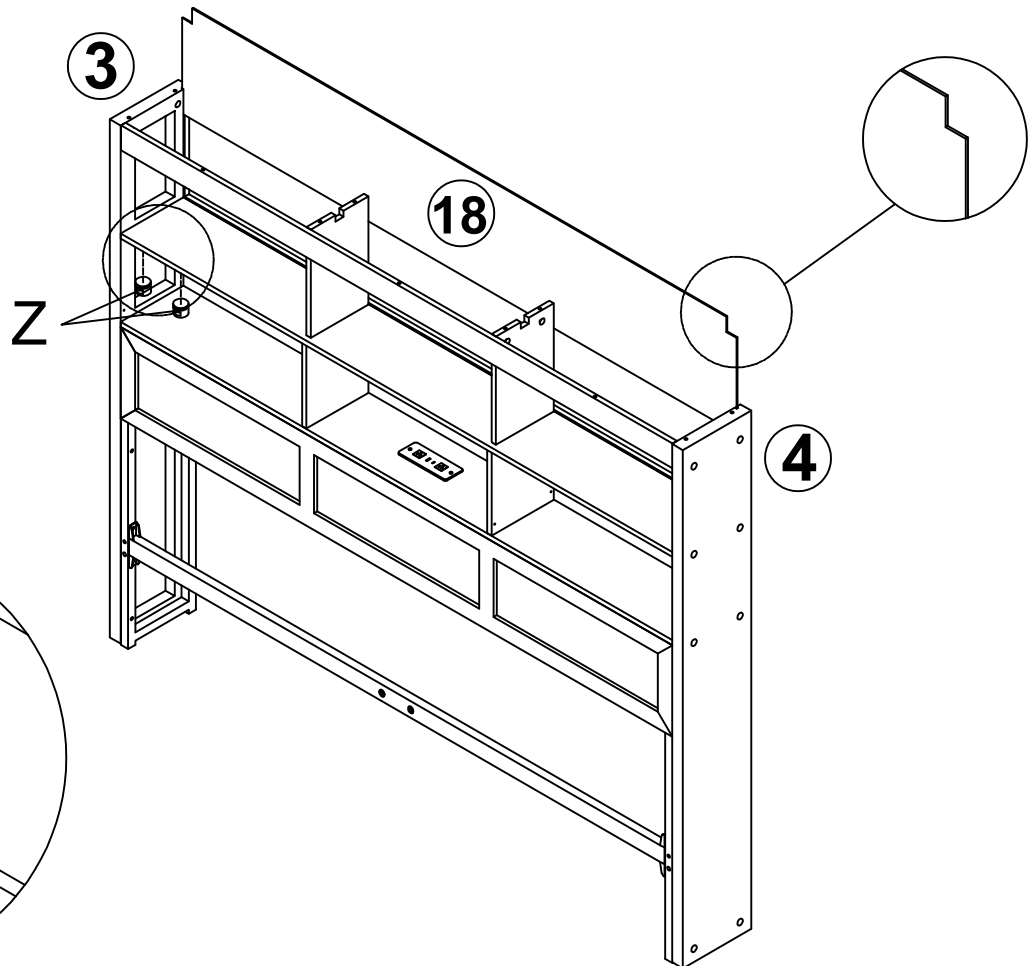
Step 15

Z			4PCS
S			1PC


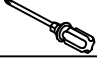


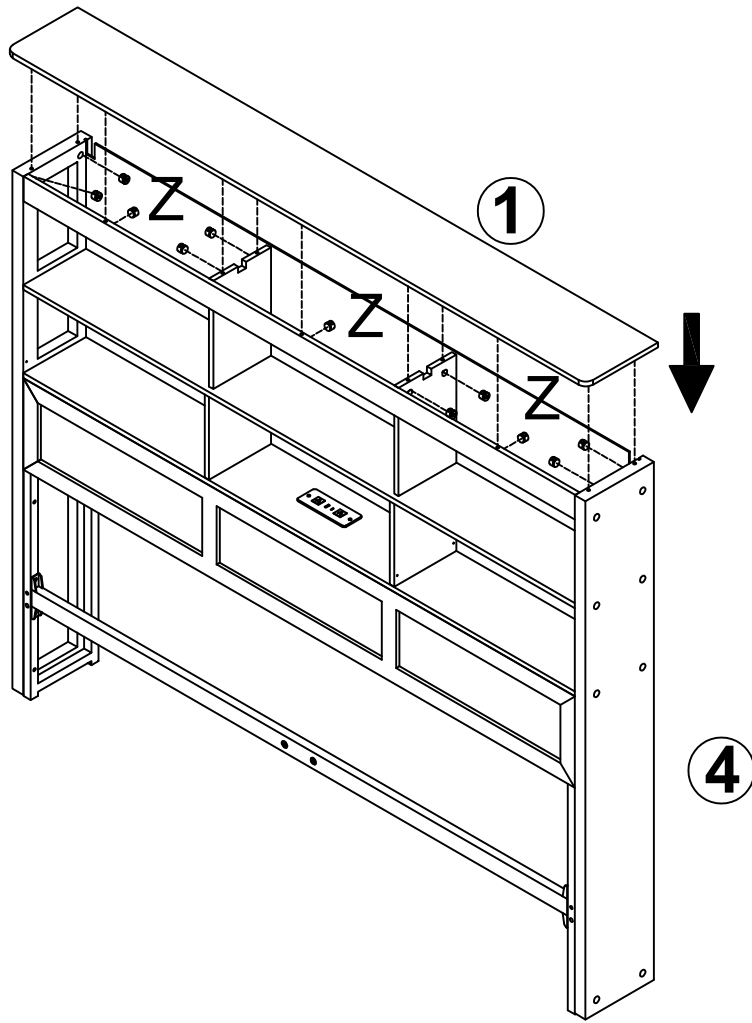
Step 16

Z			2PCS
S			1PC

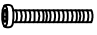



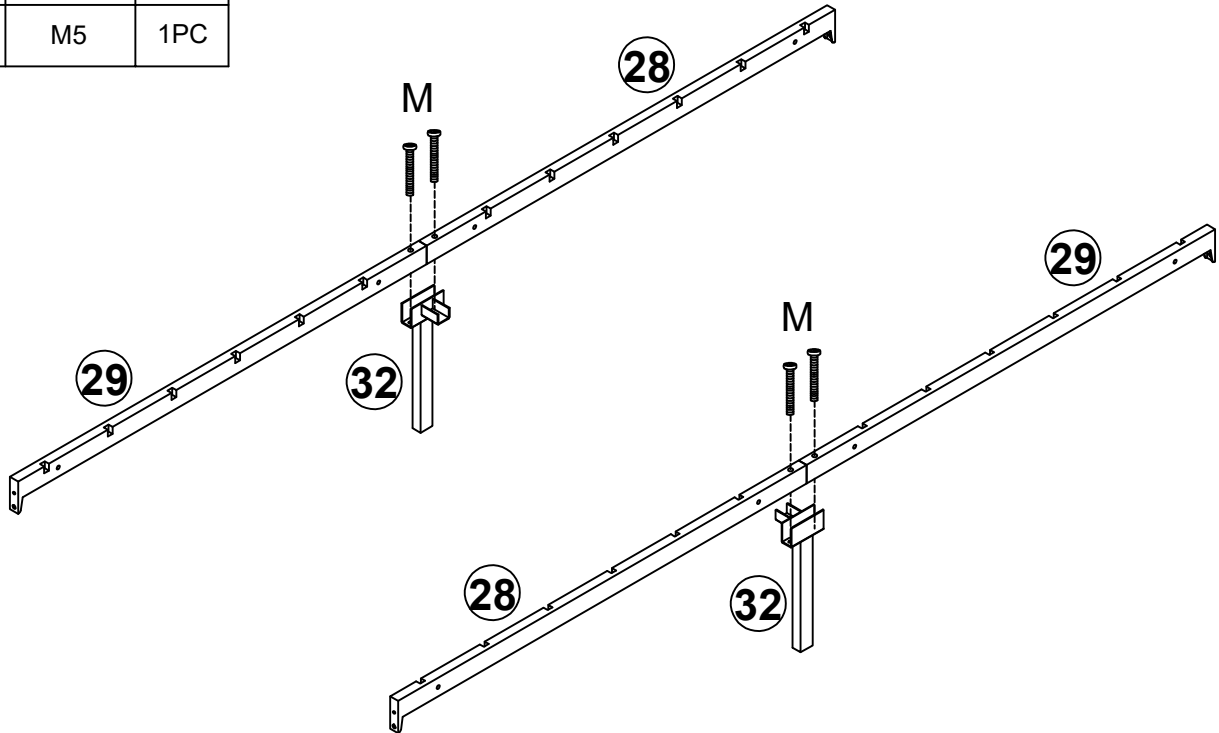
Step 17

Z			11PCS
S			1PC

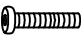
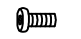




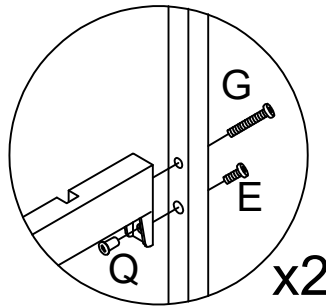
Step 18

M		M8x55	4PCS
U		M5	1PC

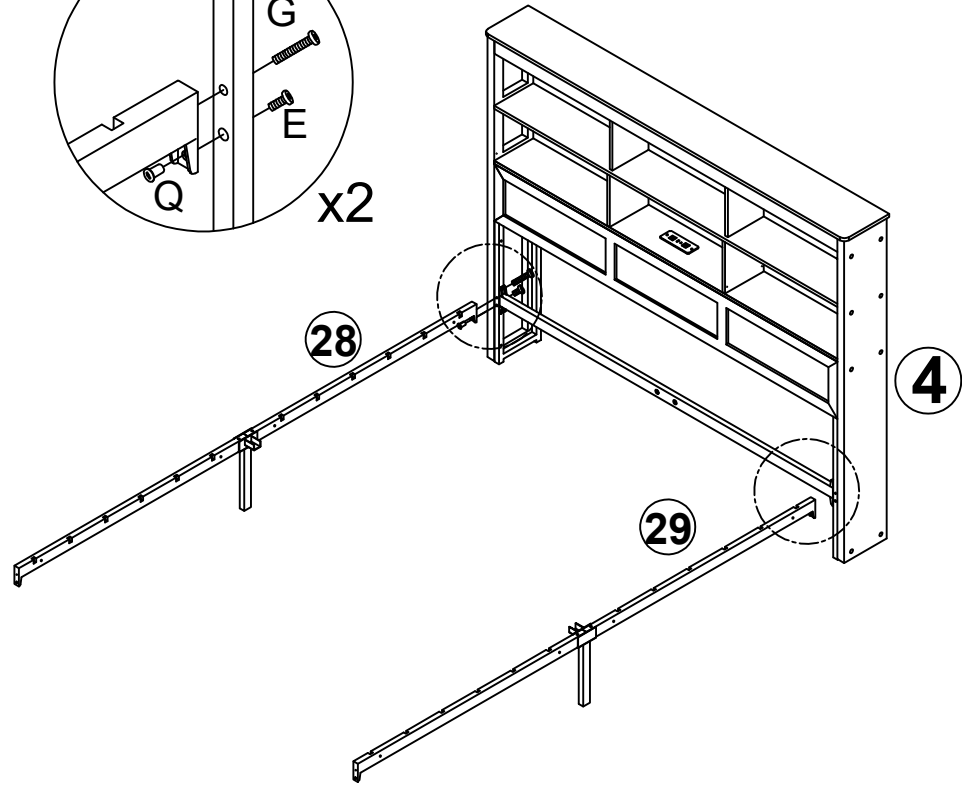


Step 19

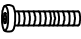



G		M6x40	2PCS
E		M6x18	2PCS
Q		M6x20	2PCS
T		M4	2PCS

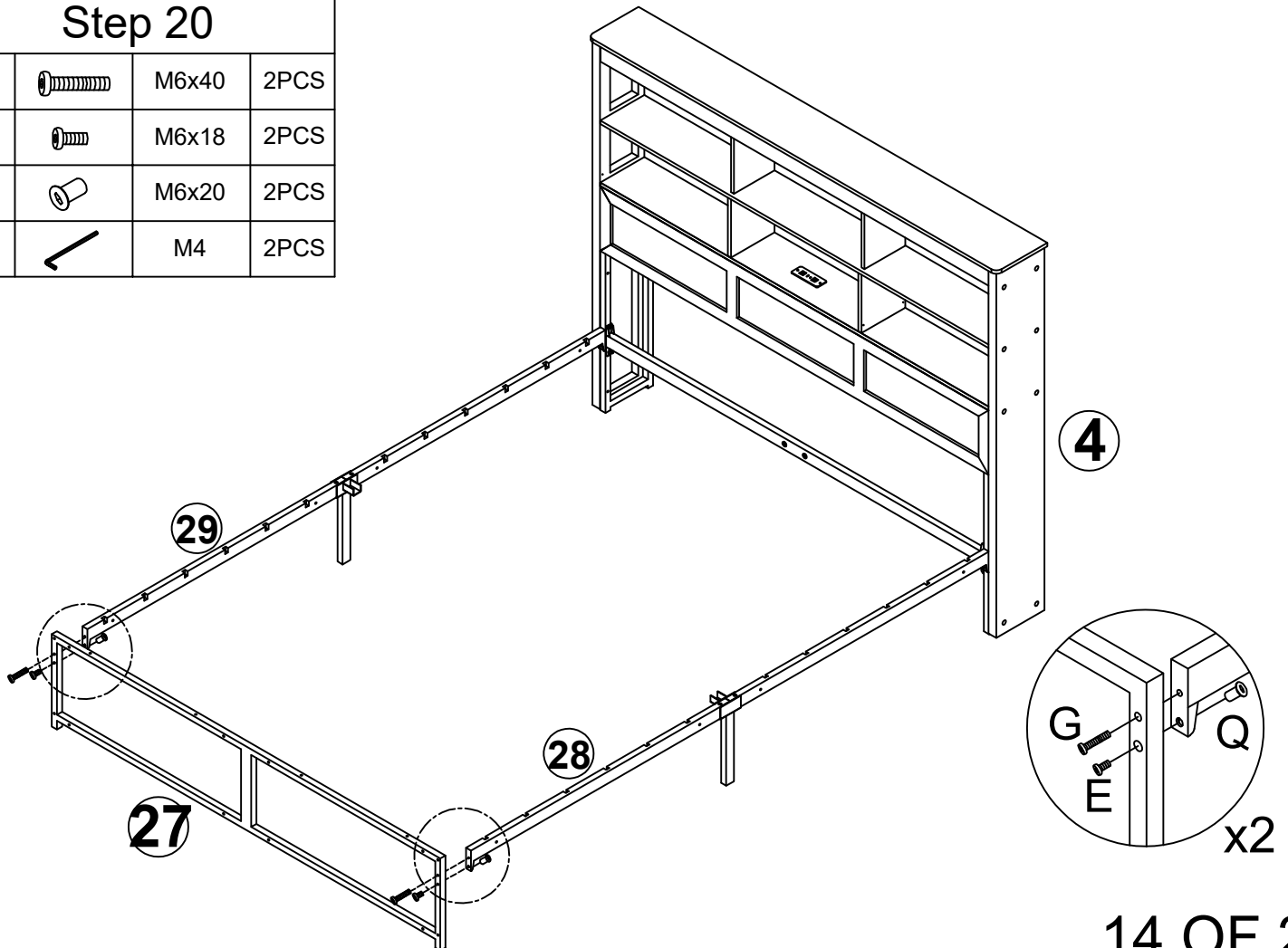


x2





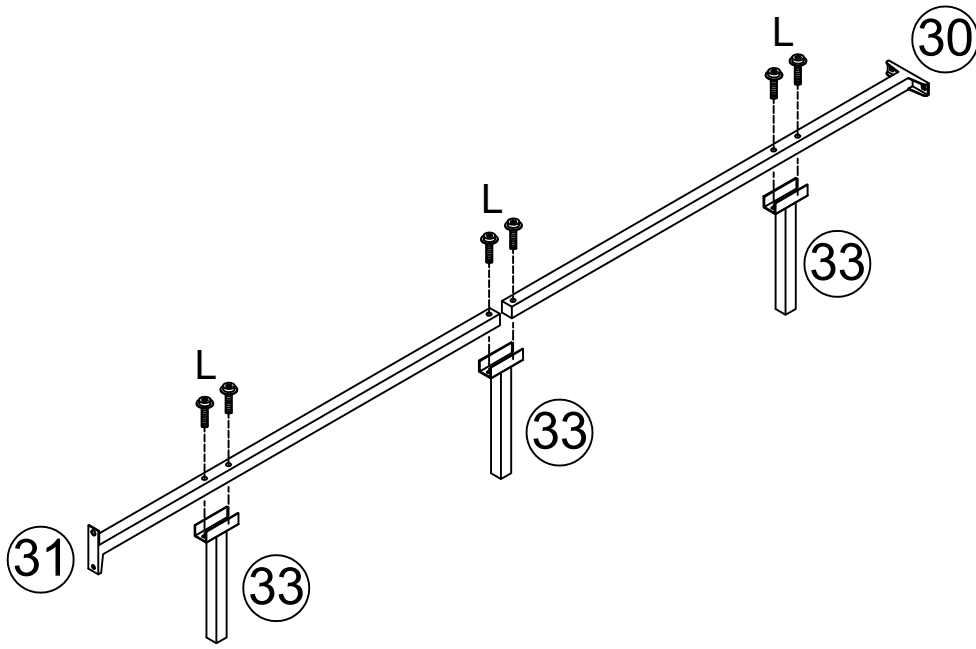
Step 20

G		M6x40	2PCS
E		M6x18	2PCS
Q		M6x20	2PCS
T		M4	2PCS





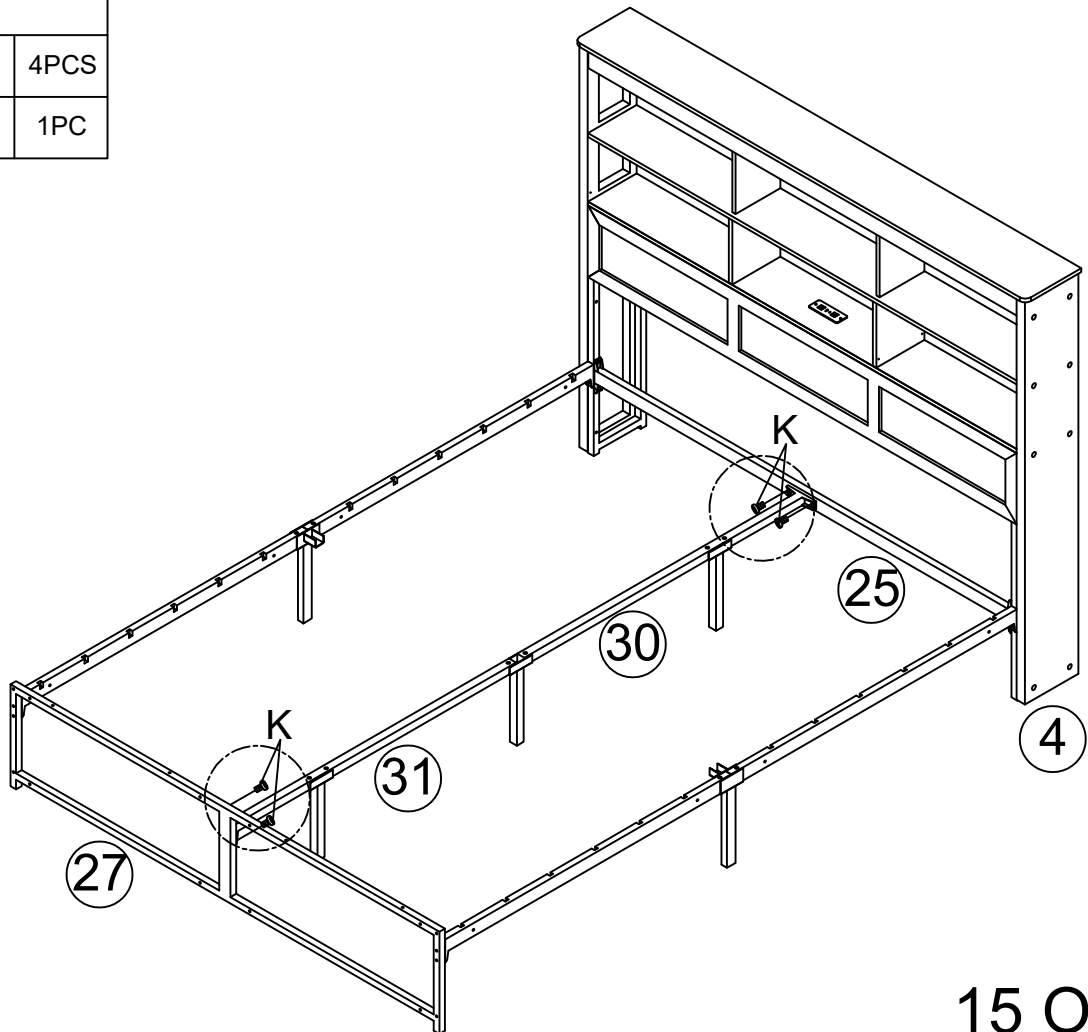
Step 21

L		M8x35	6PCS
U		M5	1PC

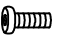



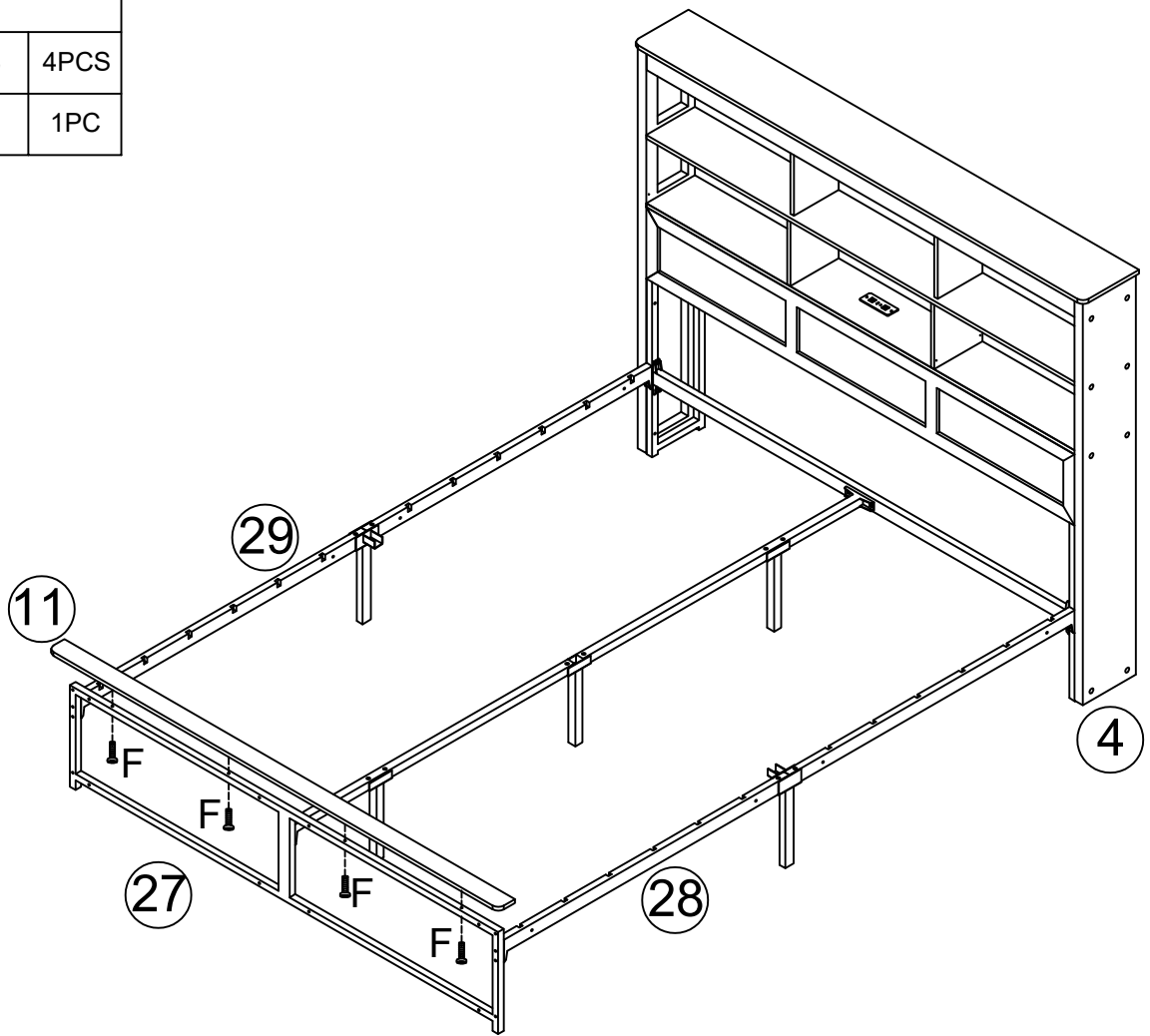
Step 22

K		M8x16	4PCS
U		M5	1PC

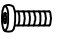



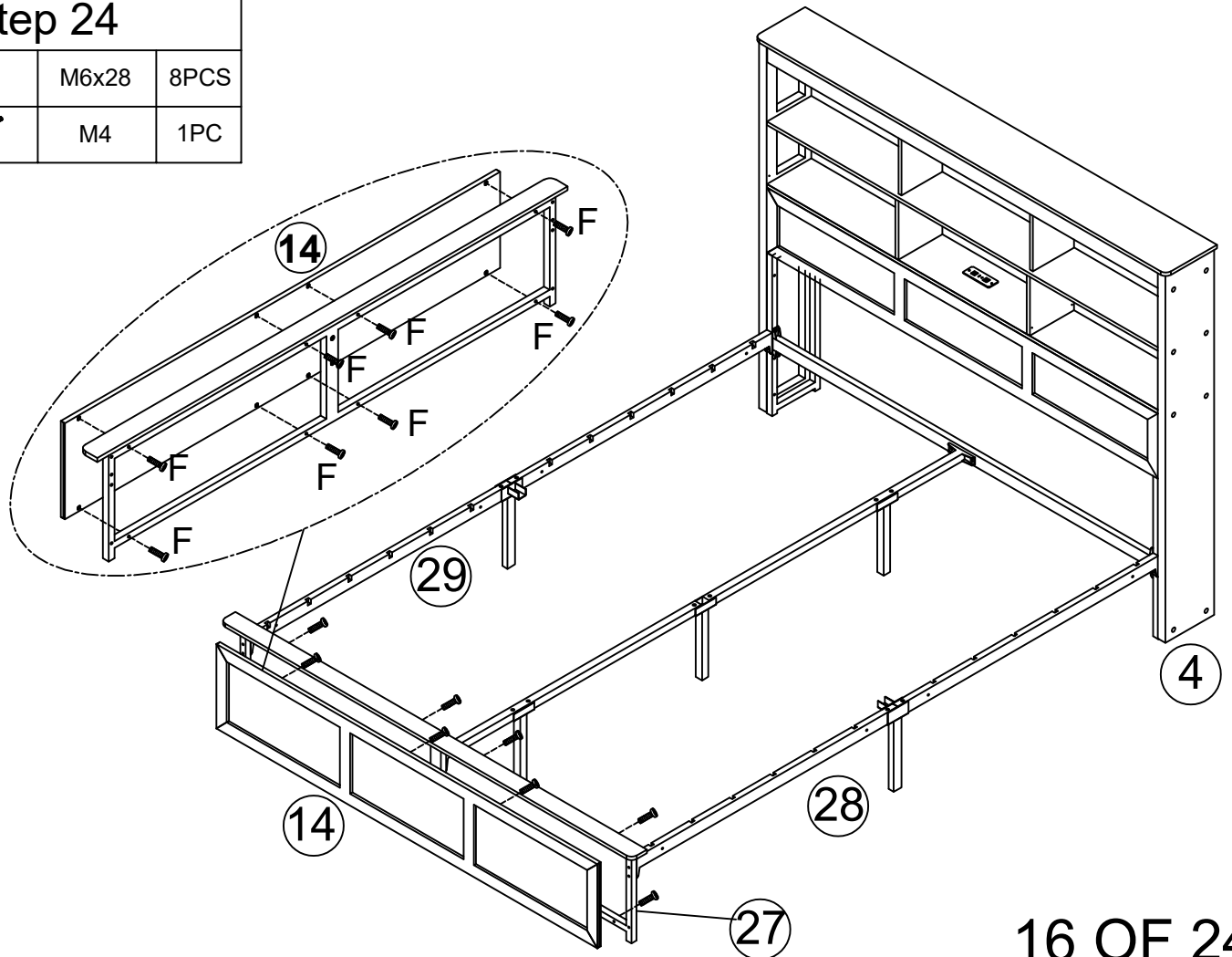
Step 23

F		M6x28	4PCS
T		M4	1PC

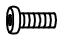



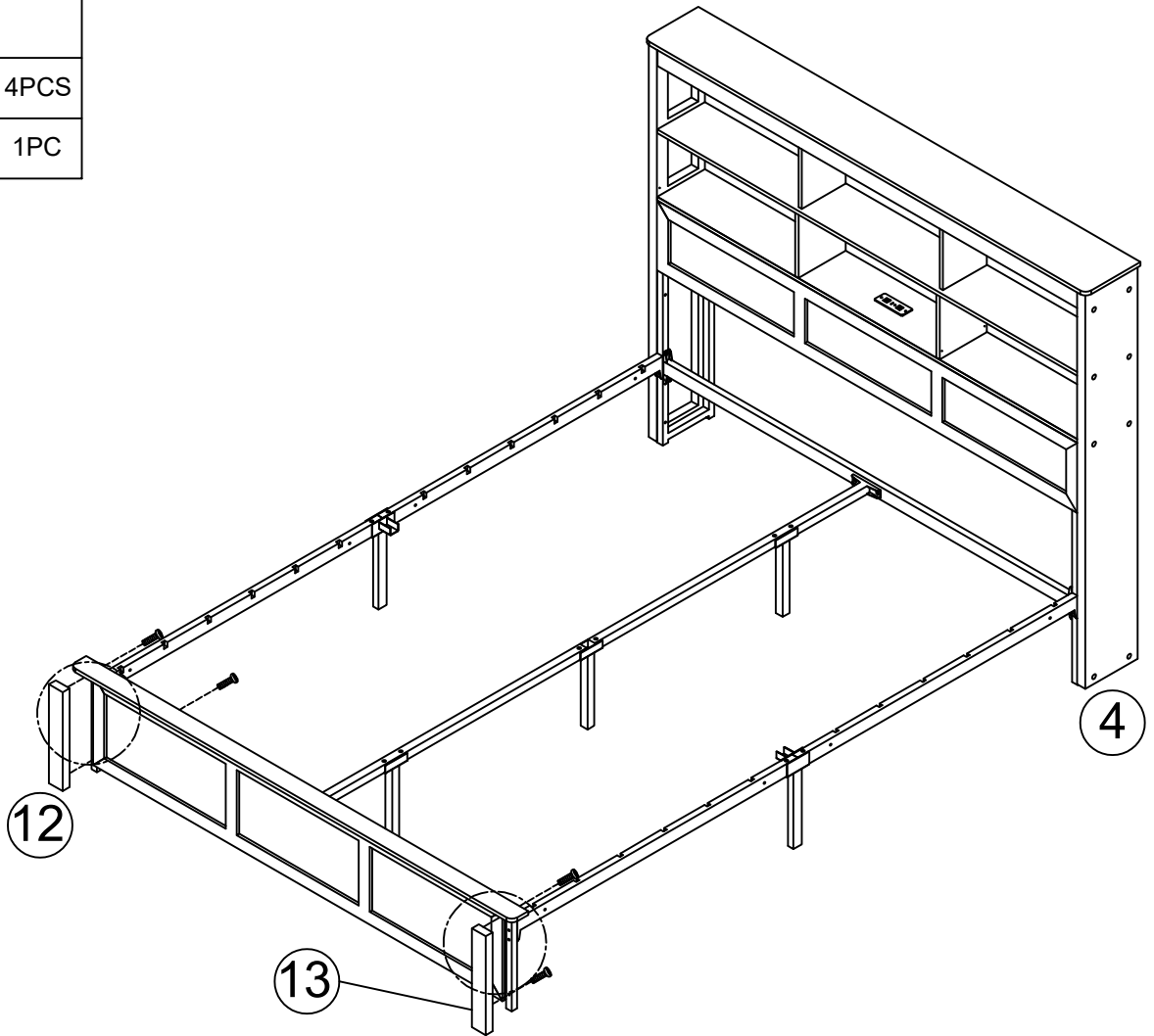
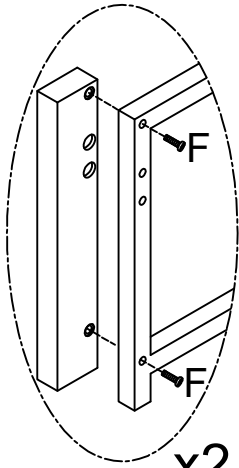
Step 24

F		M6x28	8PCS
T		M4	1PC






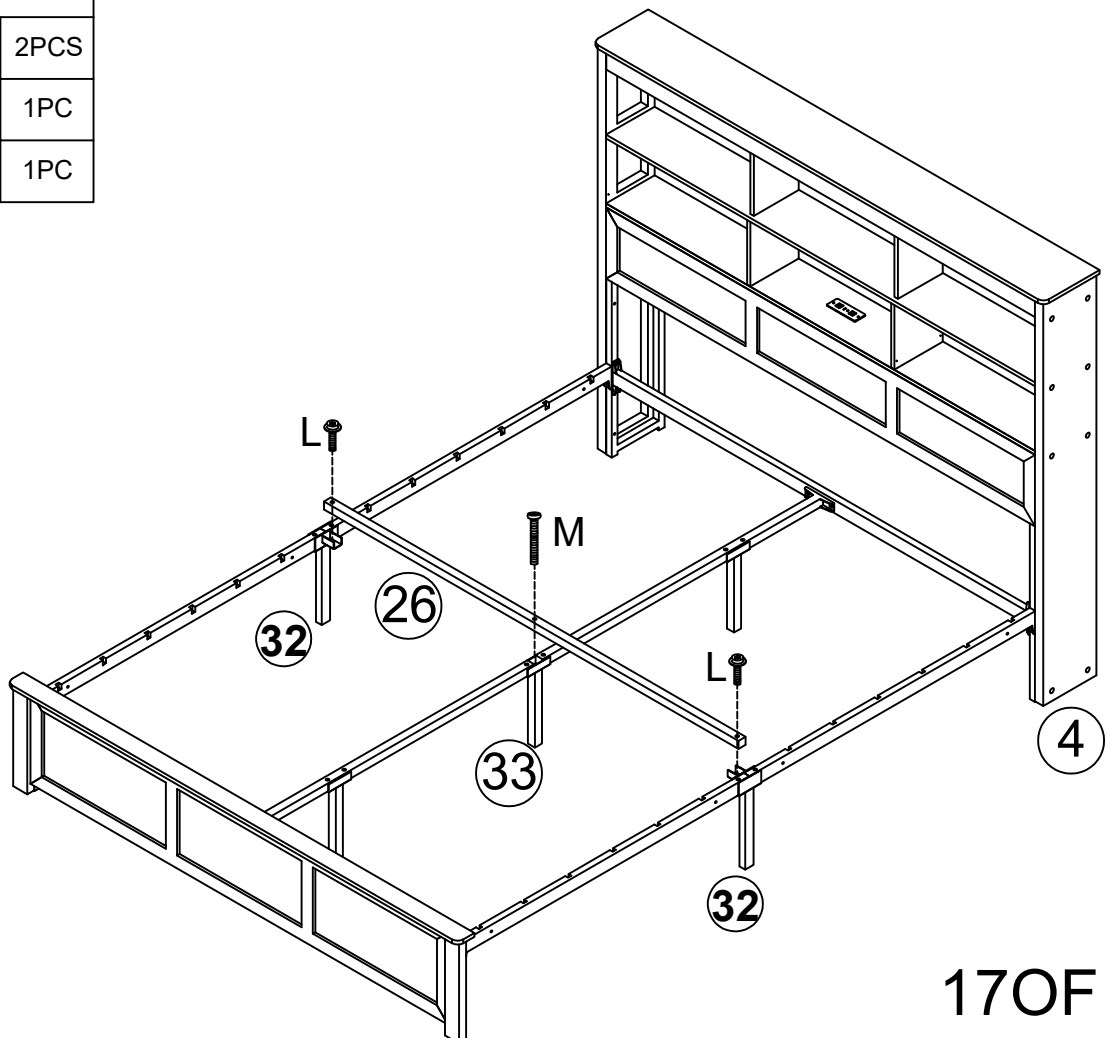
Step 25

F		M6x28	4PCS
T		M4	1PC

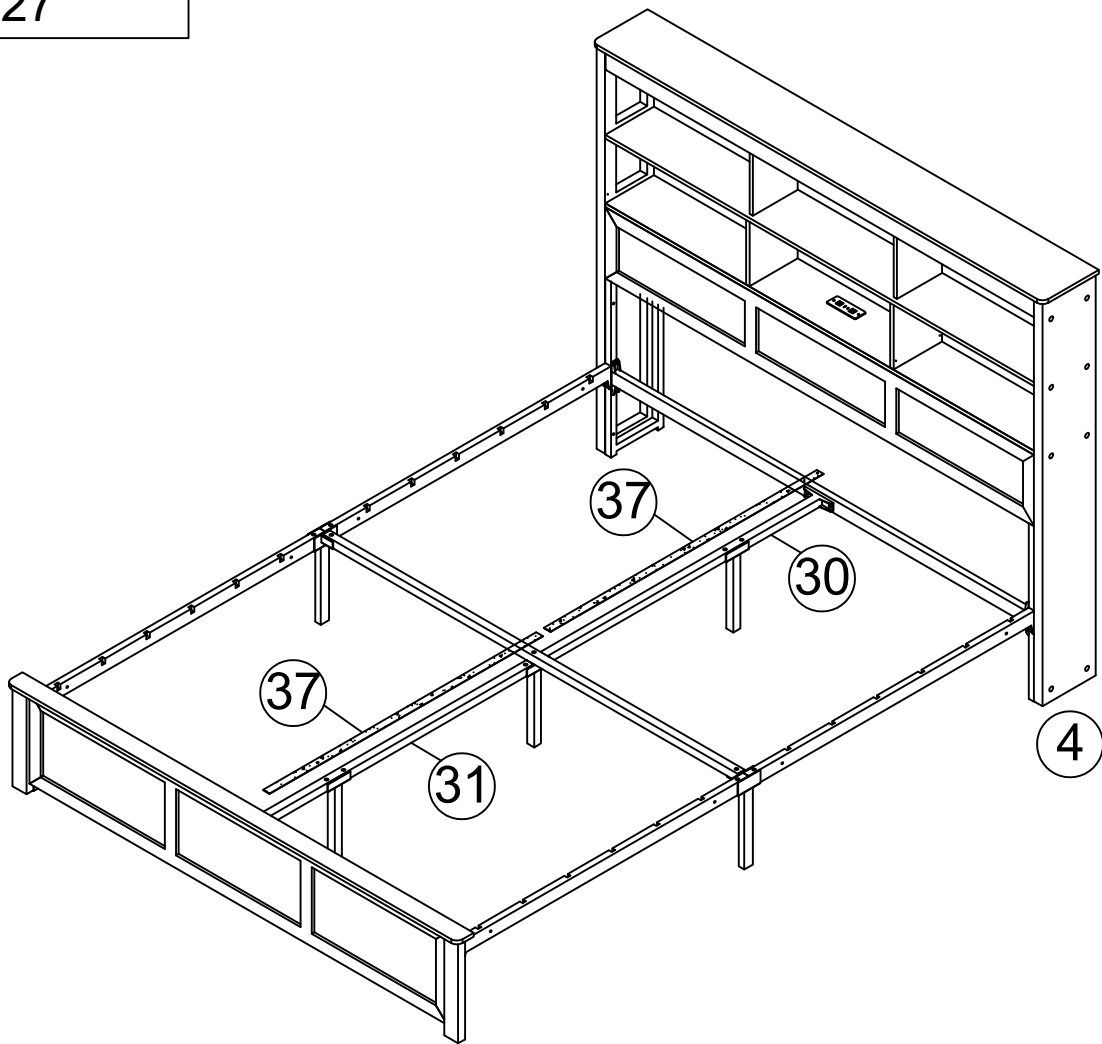


Step 26

L		M8x35	2PCS
M		M8x55	1PC
U		M5	1PC

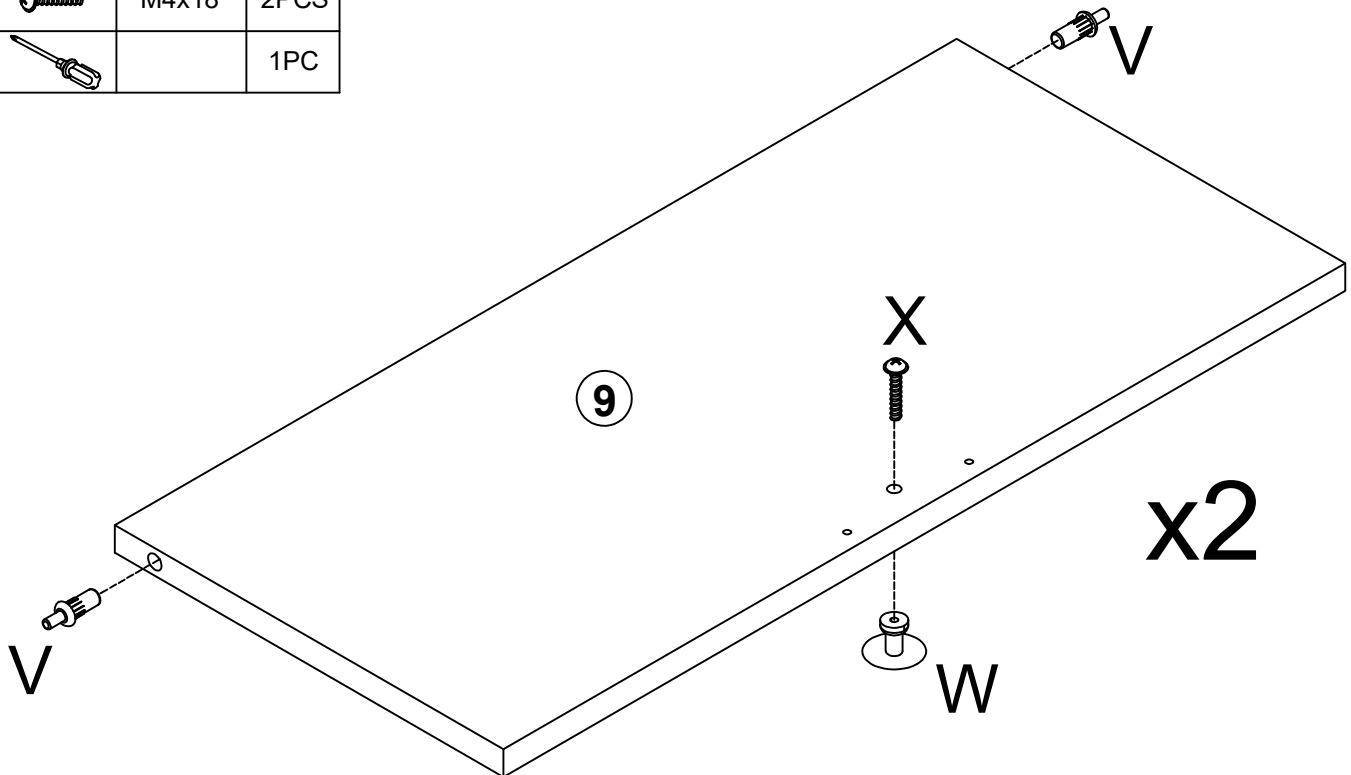


Step 27


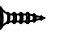



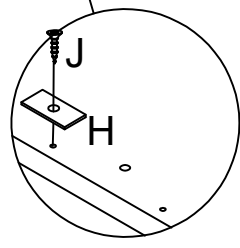
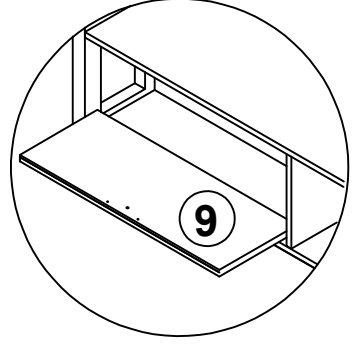
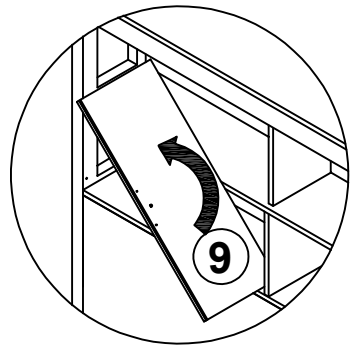
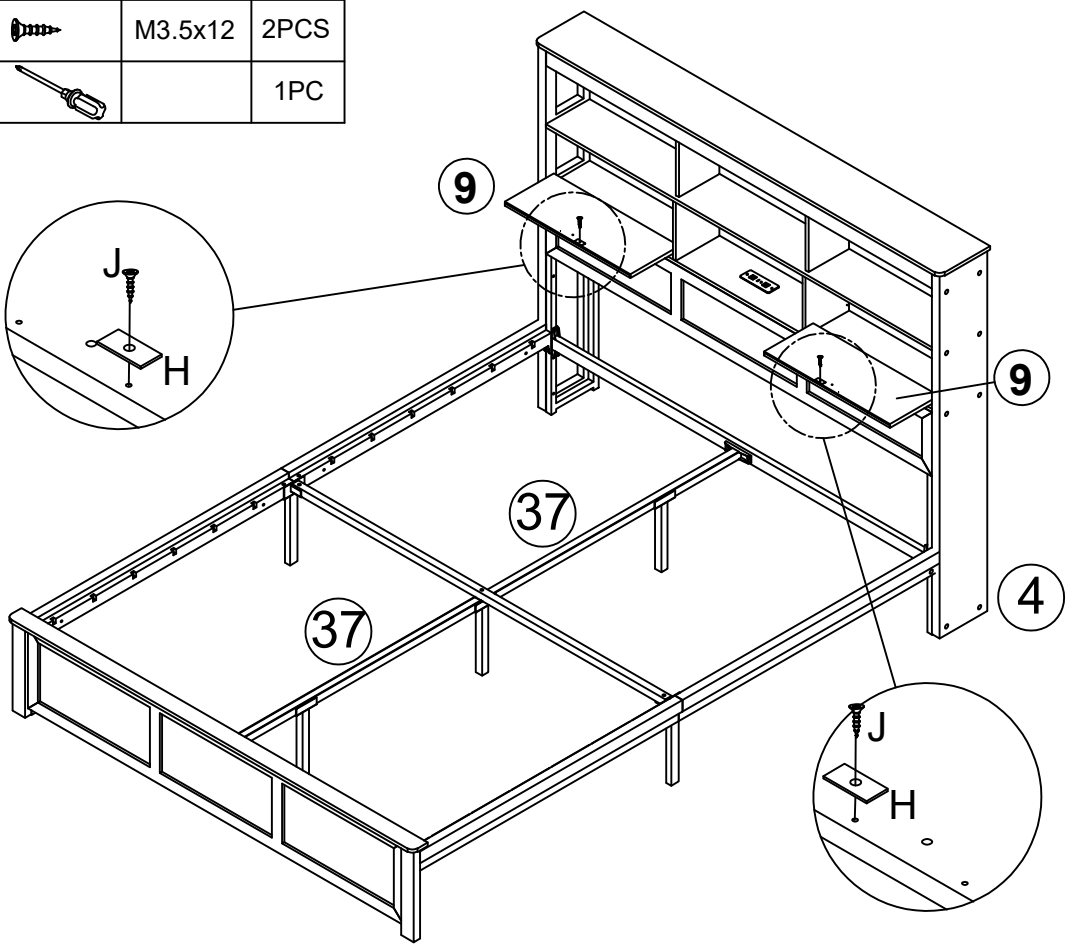
Step 28

V			4PCS
W			2PCS
X		M4x18	2PCS
S			1PC

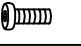



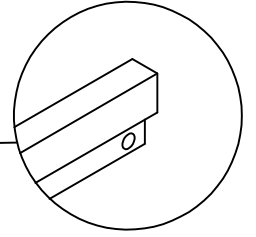
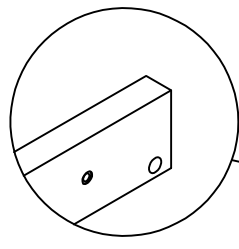
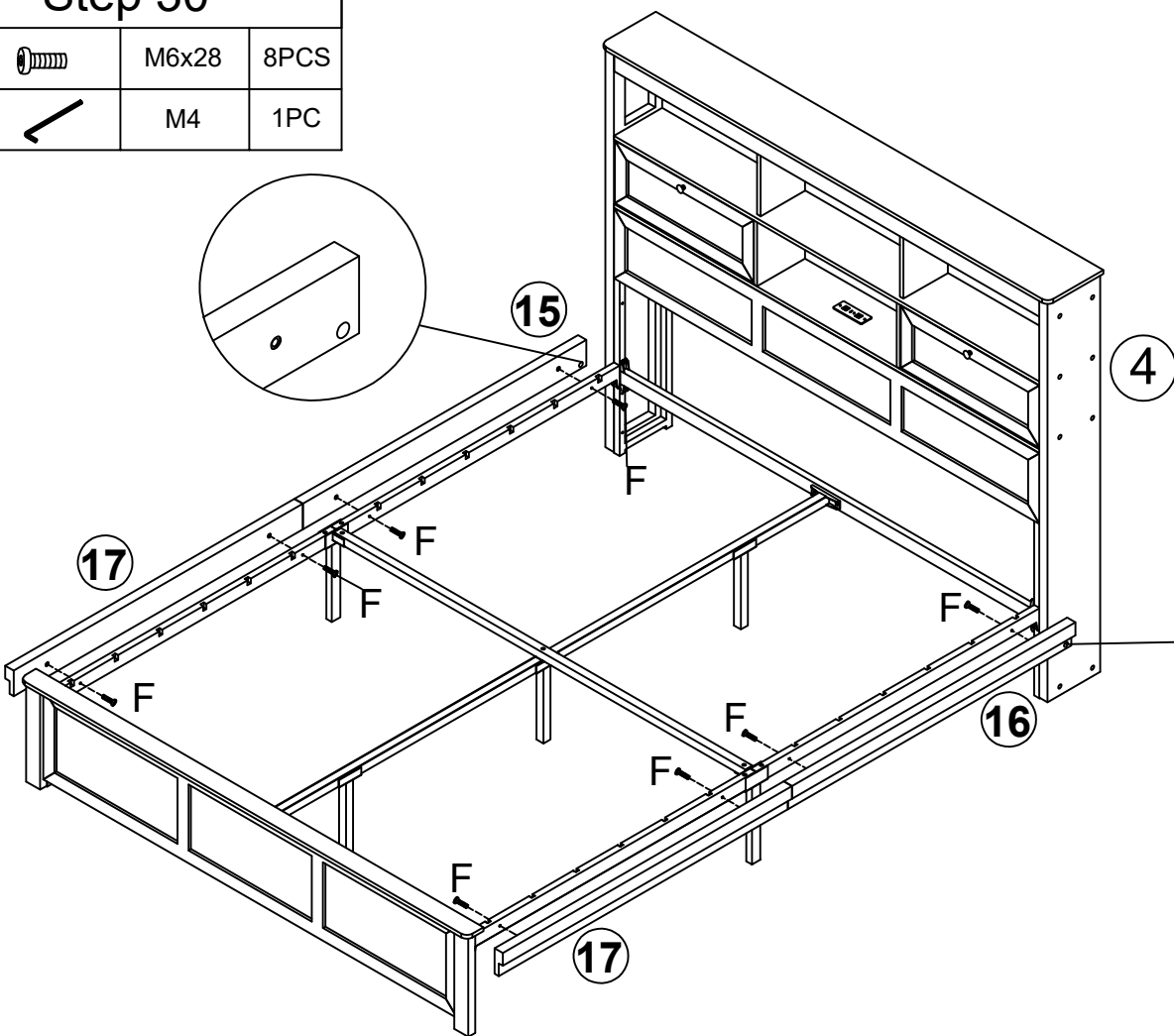
Step 29

H			2PCS
J		M3.5x12	2PCS
S			1PC



Step 30

F		M6x28	8PCS
T		M4	1PC

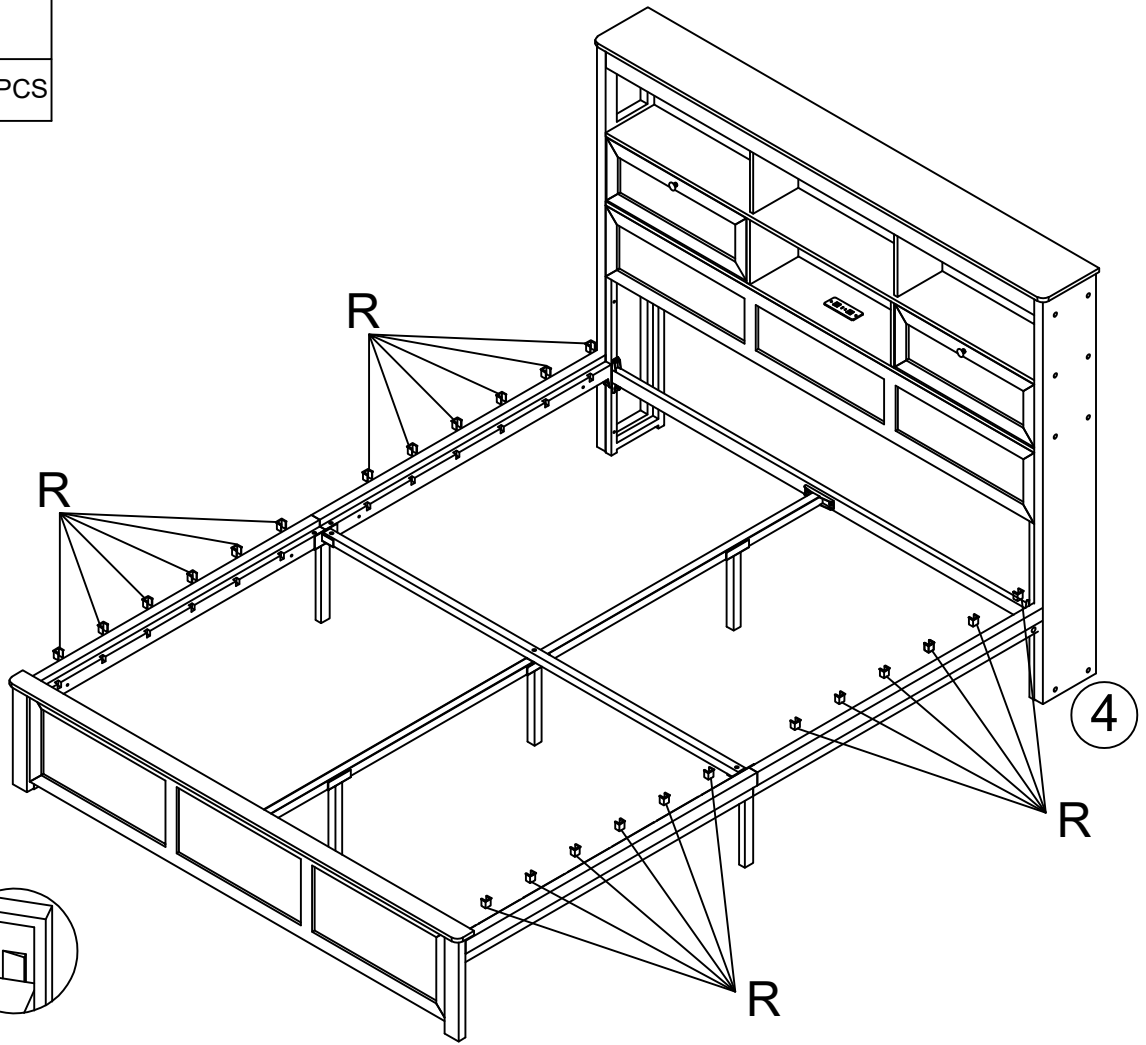
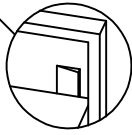
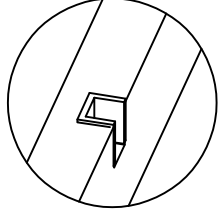
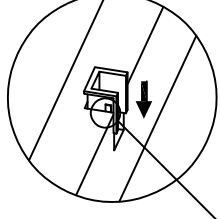
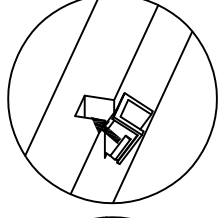
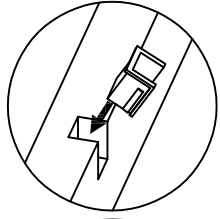


Step 31

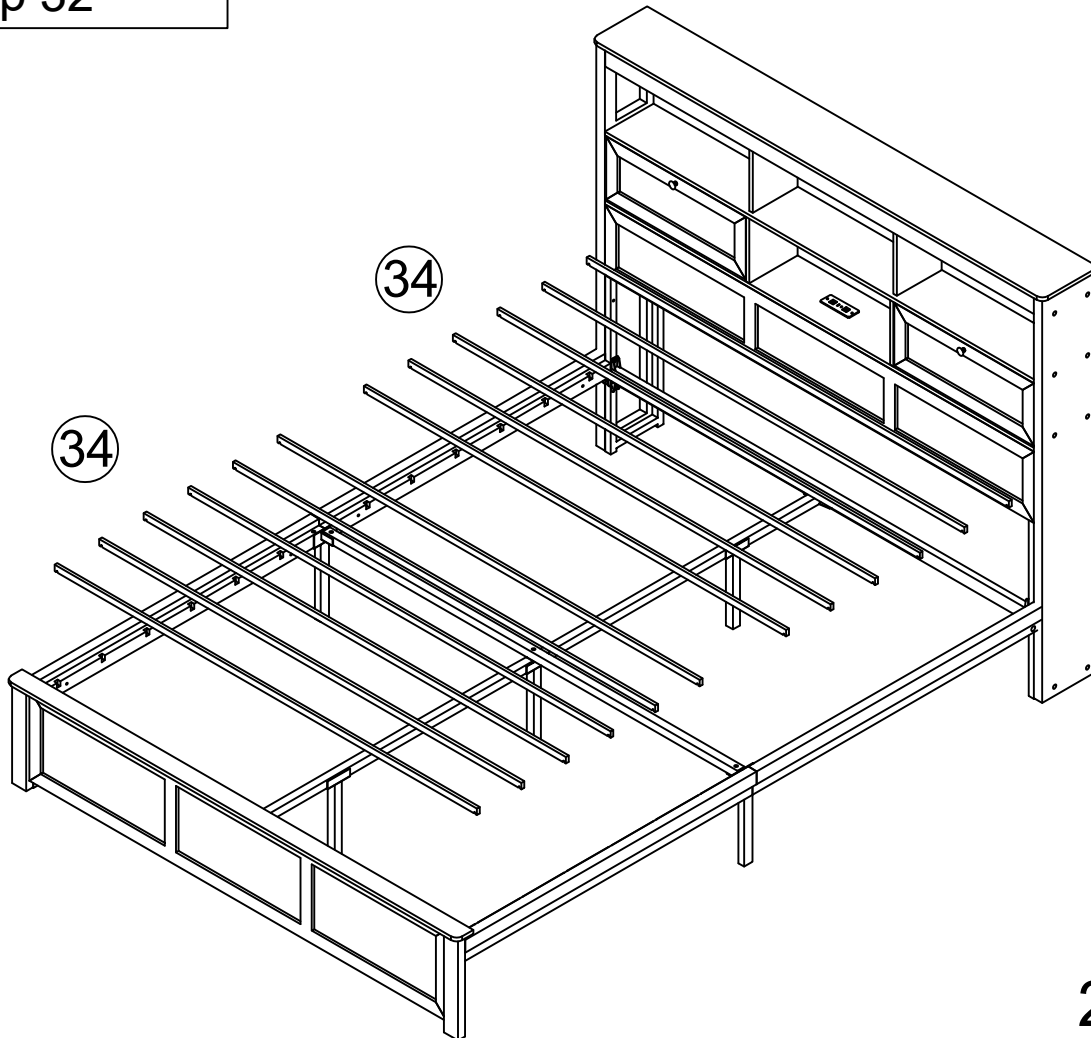
R





24PCS

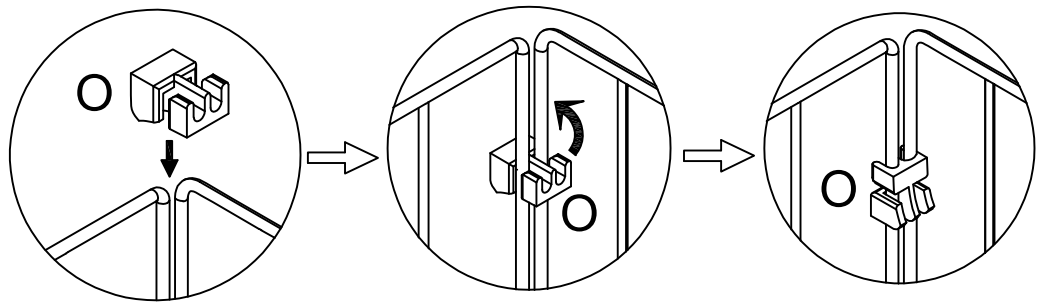


Step 32

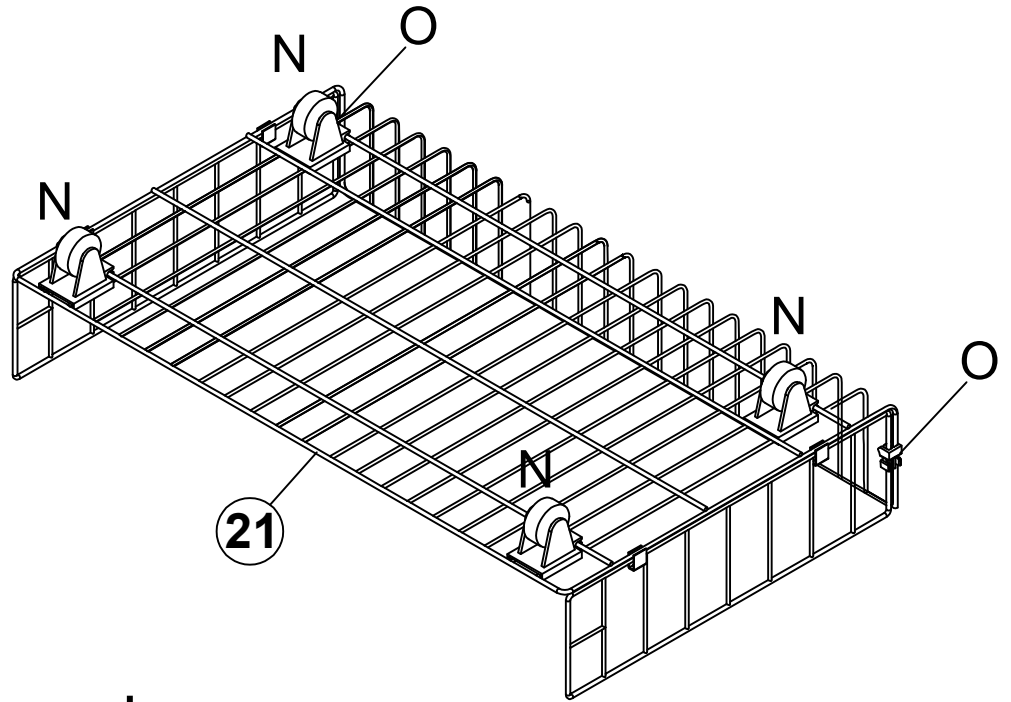


Step 33

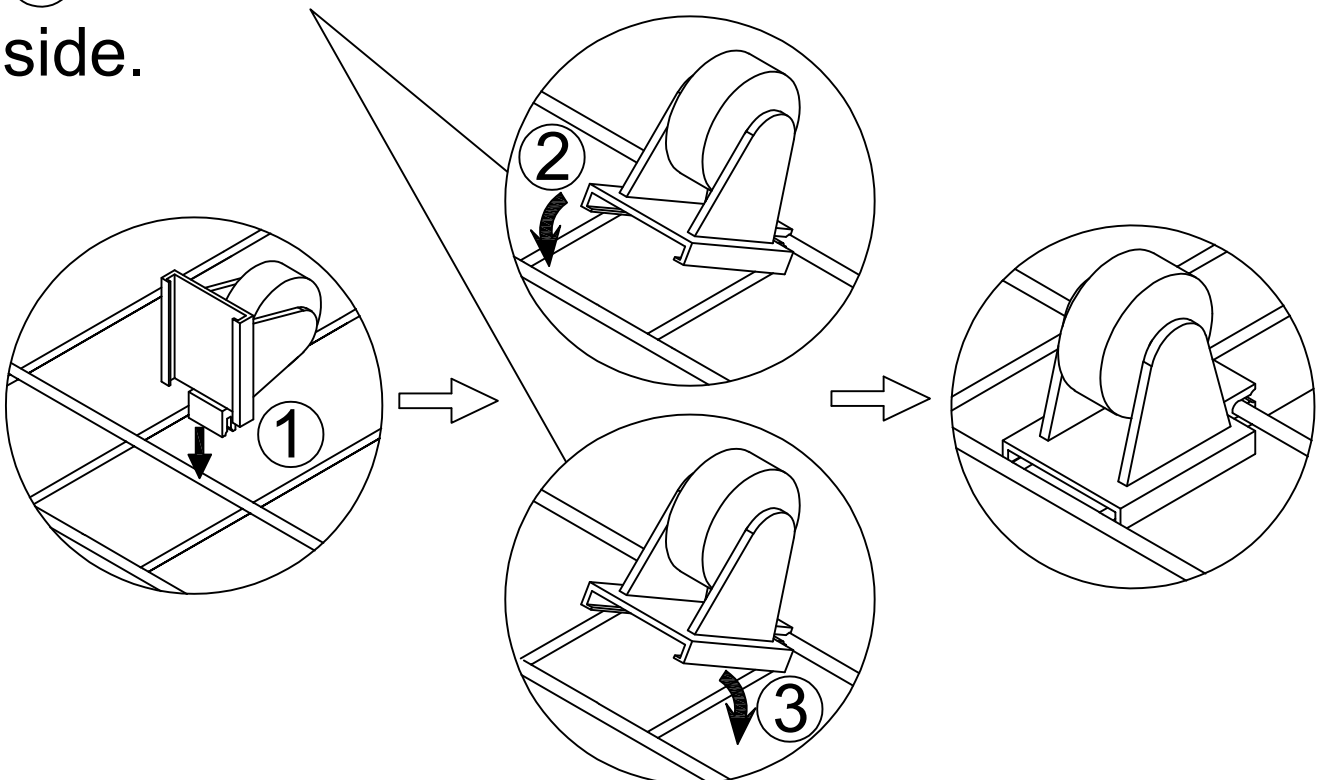
N			16PCS
O			8PCS






X4

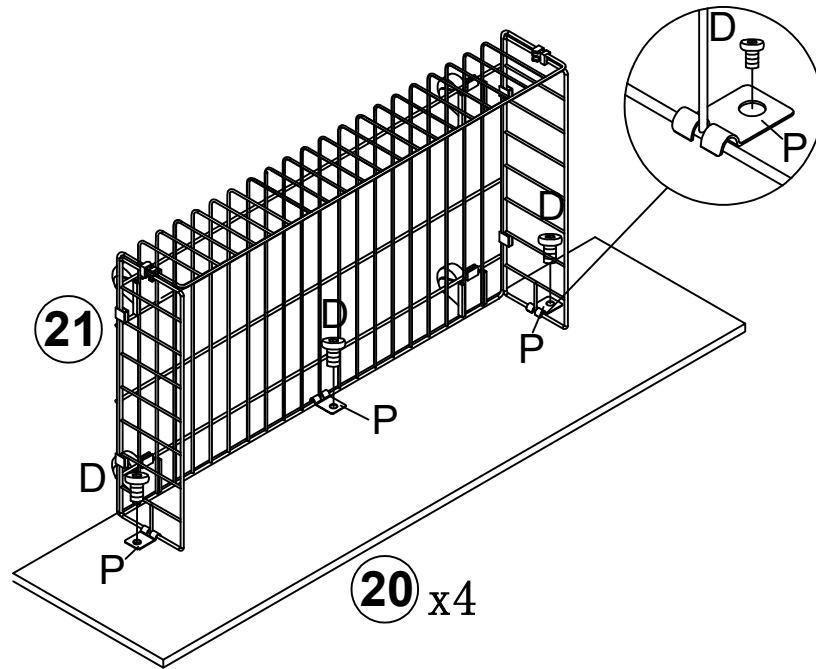


Attention: ② make sure plastic slot stuck into one side of the tube firstly, and ③ then to stuck into anther side.

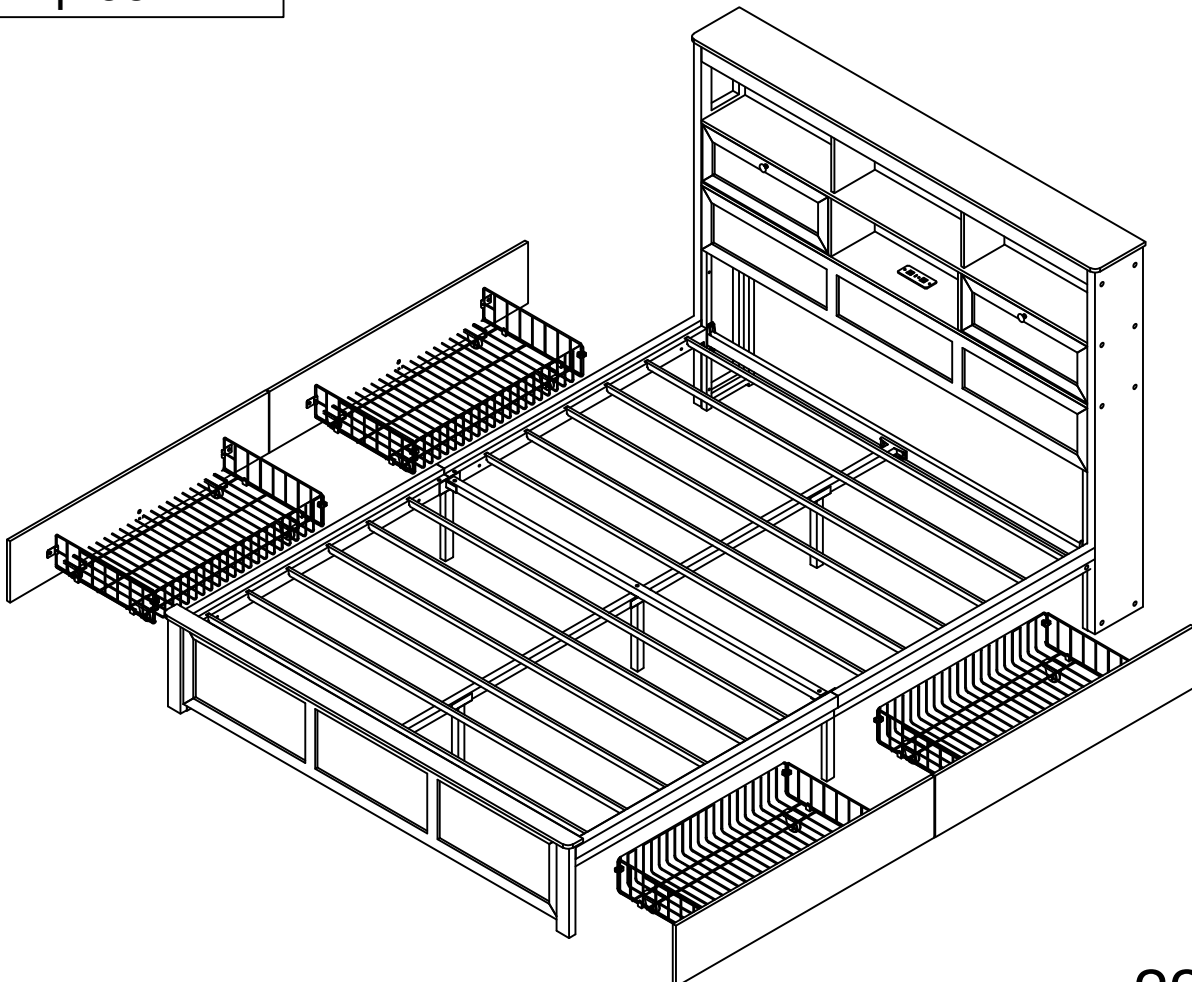


Step 34



D		M6x10	12PCS
P			12PCS
T		M4	1PC

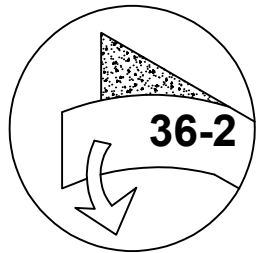
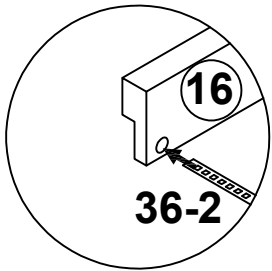


Step 35

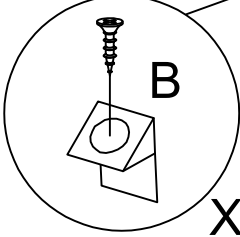
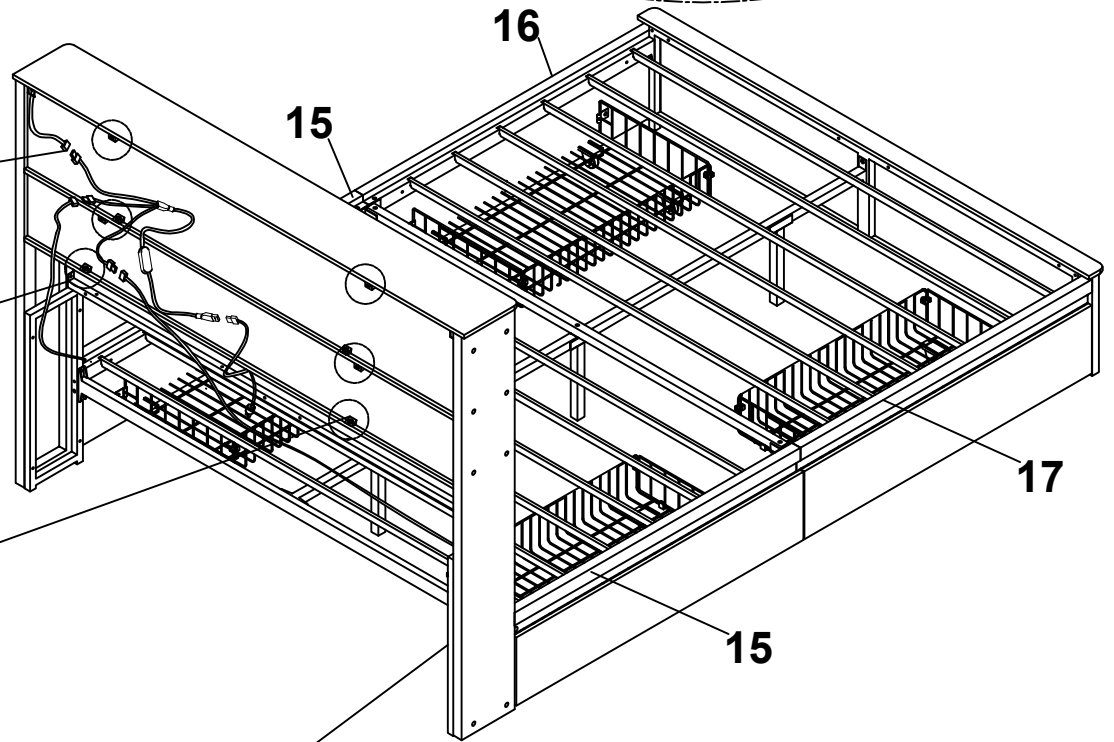
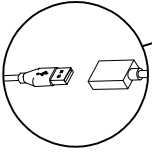
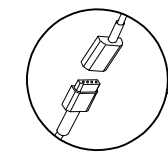
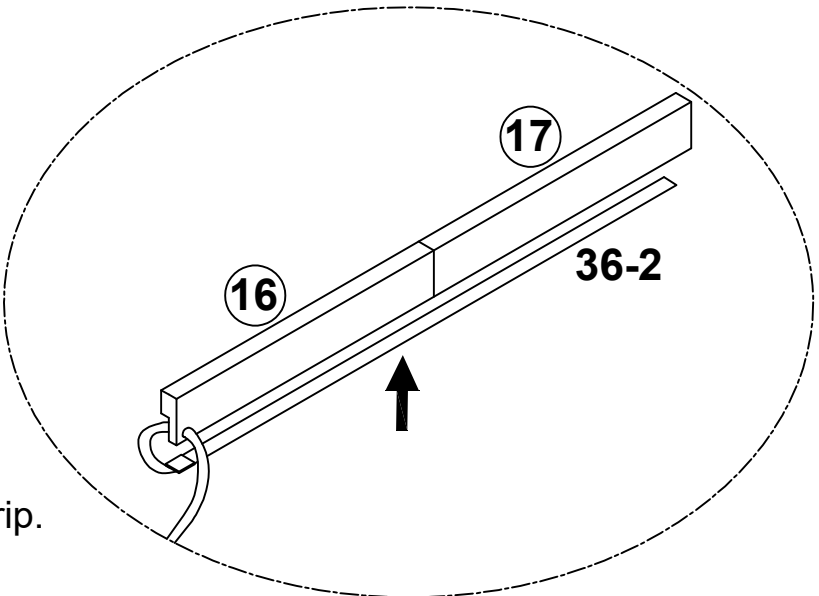


Step 36

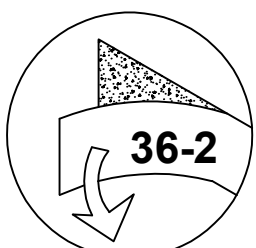
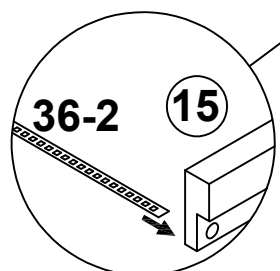
B			8PCS
S			1PC



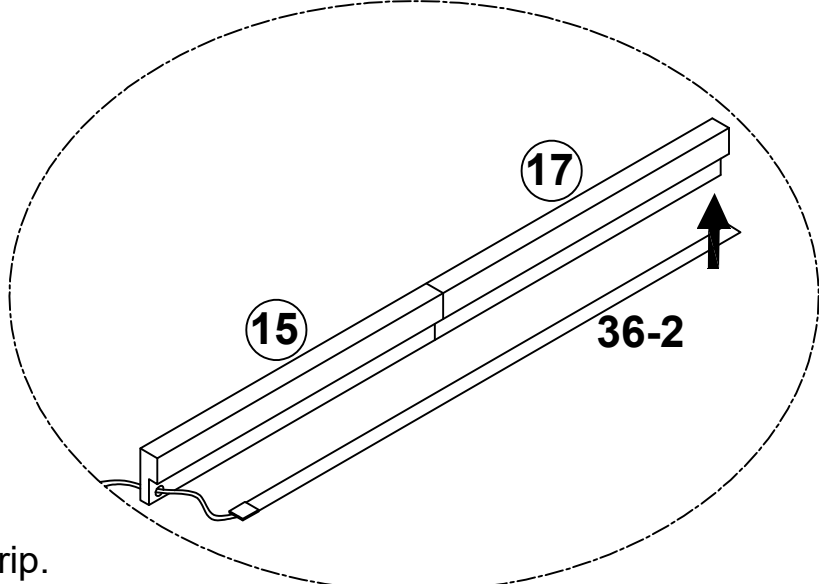
Tear off the back glue of the light strip.




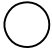
X8



Tear off the back glue of the light strip.



Step 37

AB			4PCS
AC			16PCS

