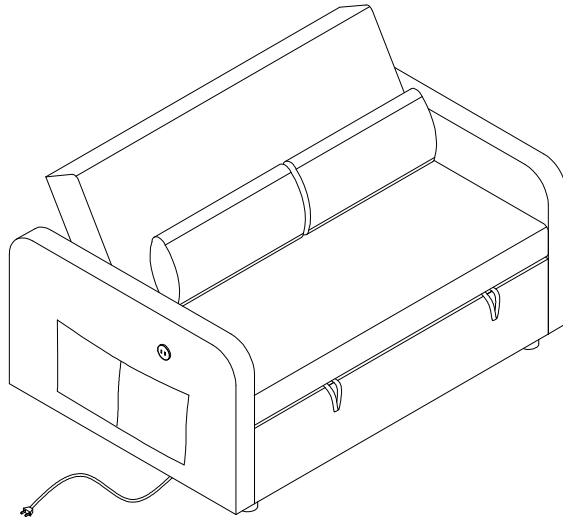





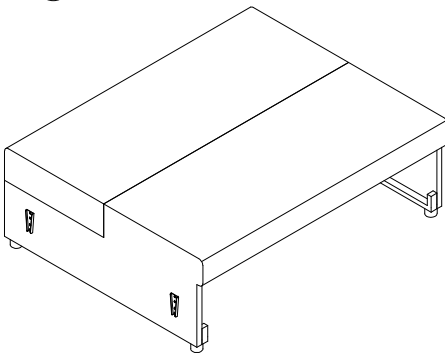
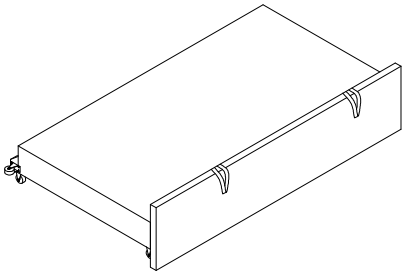
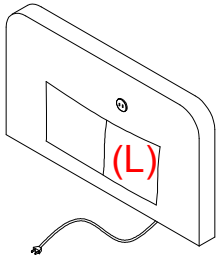
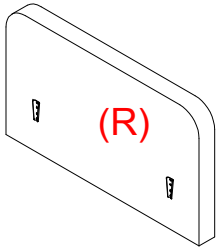
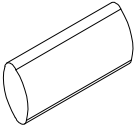
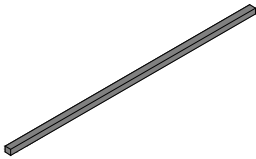


① ASSEMBLY INSTRUCTION

MODEL NO.HC5520



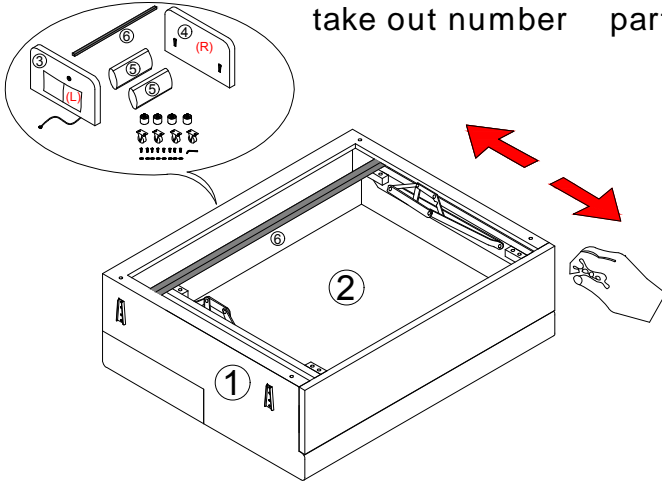
Components/QTY	Components/QTY	Components/QTY
A 4PCS 	B 4PCS 	C 8PCS 
D 8PCS 	E 1PC 	
① 1PC 	② 1PC 	③ 1PC 
④ 1PC 	⑤ 2PCS 	⑥ 1PCS 

② ASSEMBLY INSTRUCTION

MODEL NO.HC5520

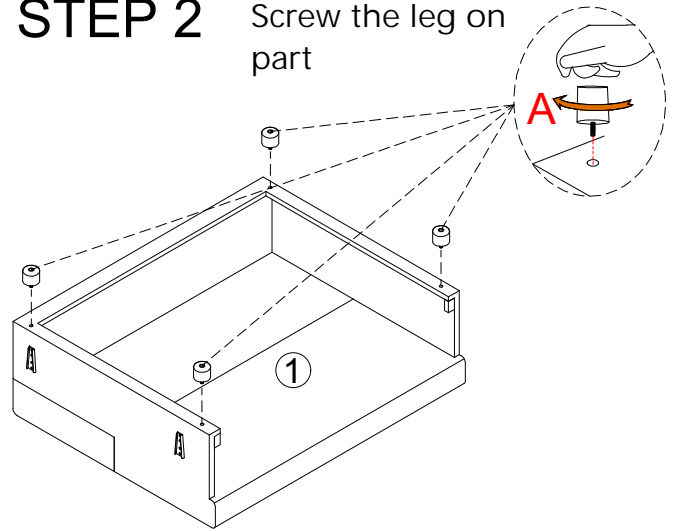
STEP 1

Remove number wood strip first, then take out number part



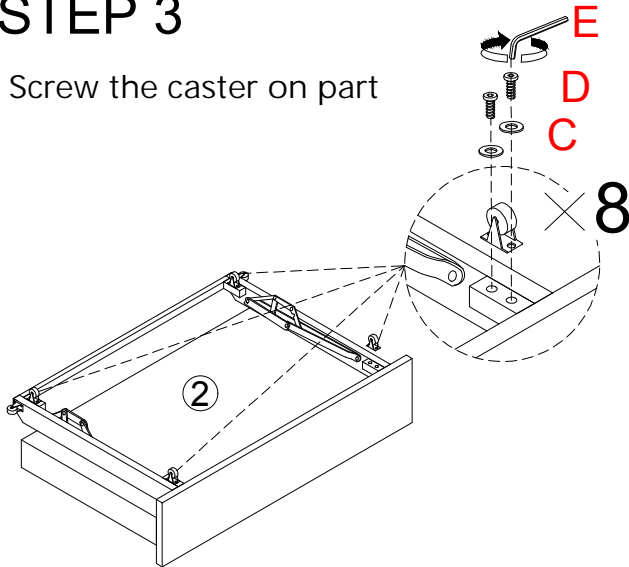
STEP 2

Screw the leg on part

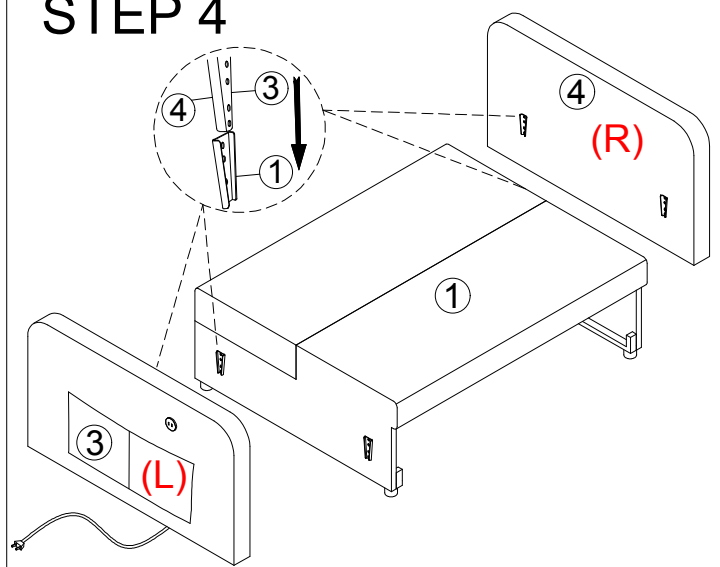


STEP 3

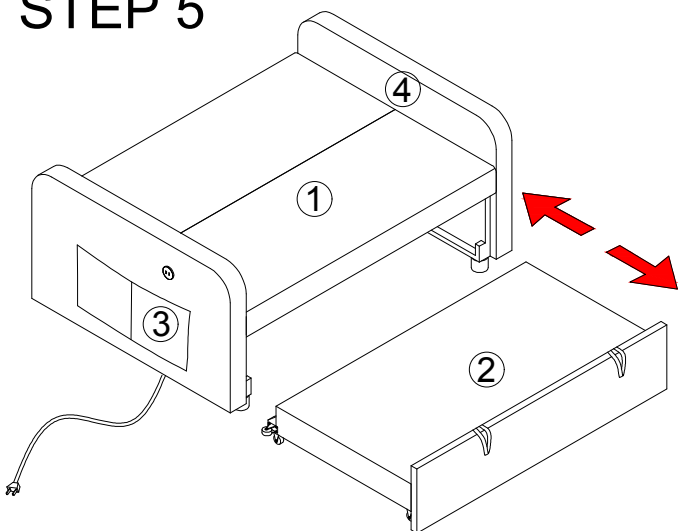
Screw the caster on part



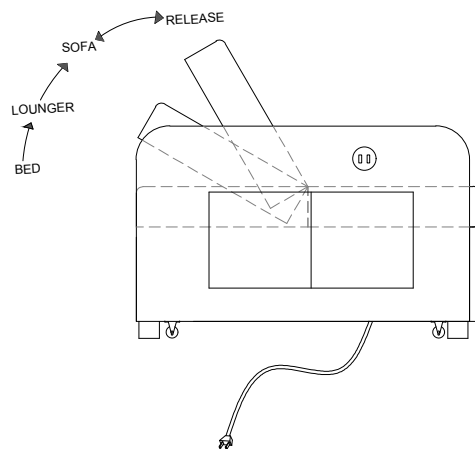
STEP 4



STEP 5



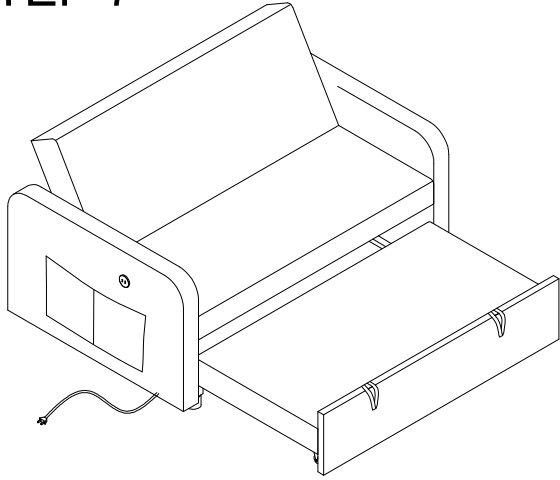
STEP 6



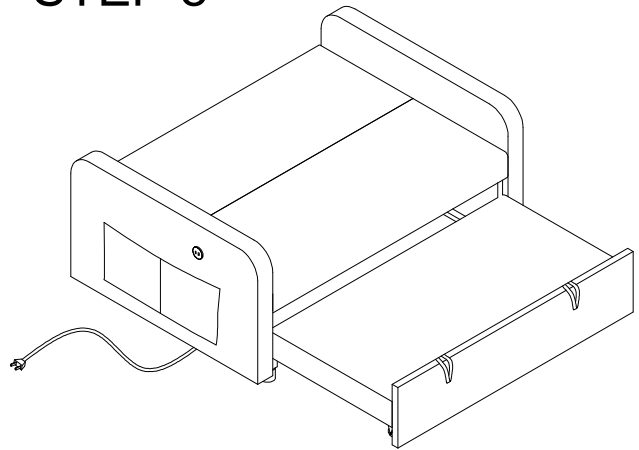
③ ASSEMBLY INSTRUCTION

MODEL NO.HC5520

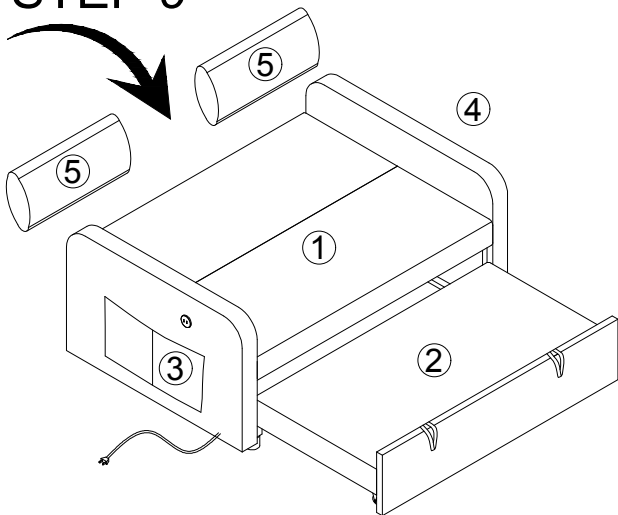
STEP 7



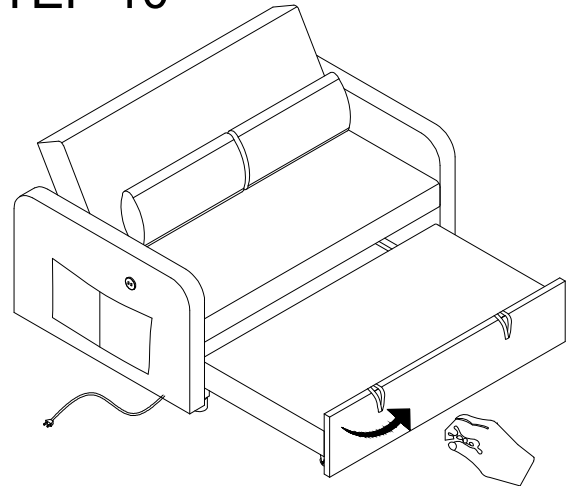
STEP 8



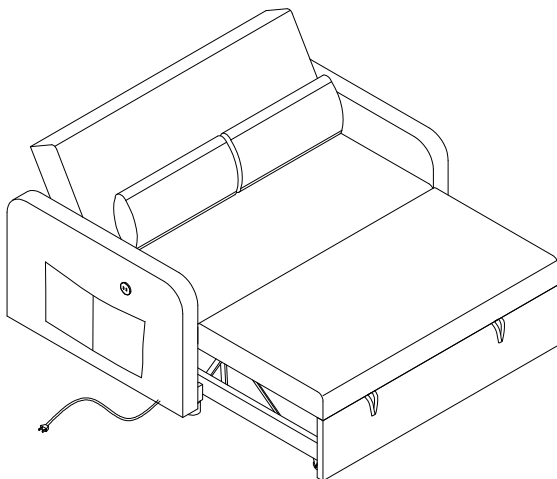
STEP 9



STEP 10



STEP 11



STEP 12

