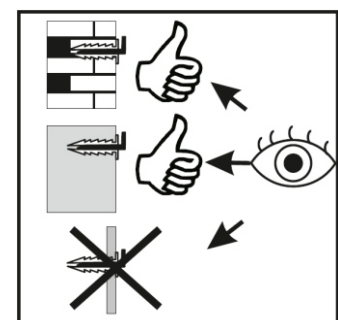
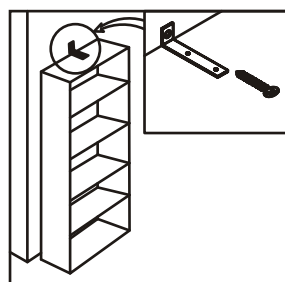
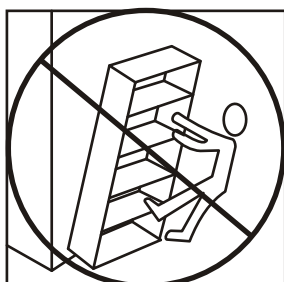
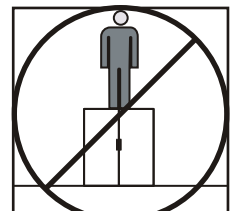
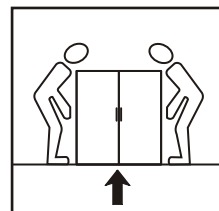
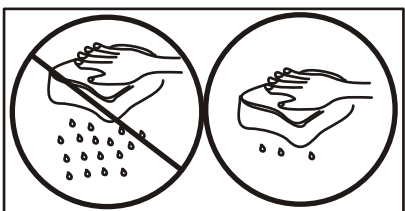
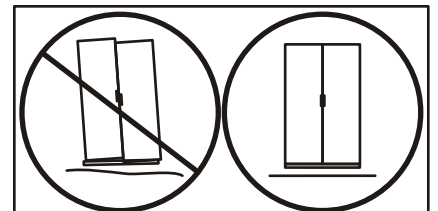
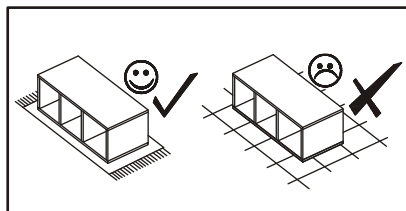
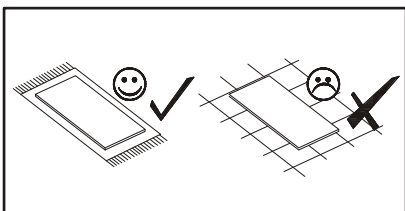
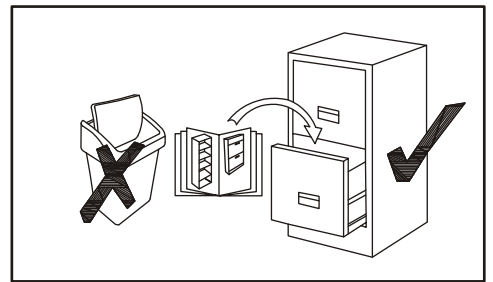
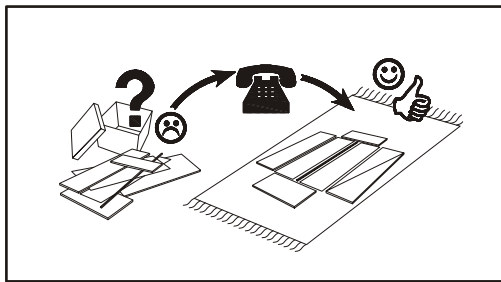
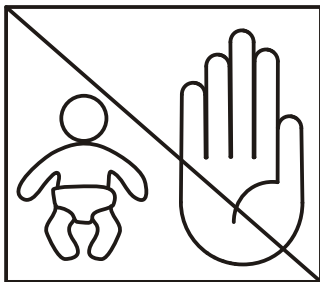
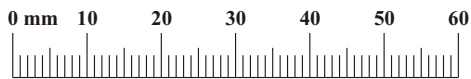


NO	Dim.			Col.-No	Qty
1K	696	246	16	3 / 3.	2
1P	212	318	4	3 / 3.	2
1B	212	255	4	3 / 3.	2
2L	277	218	22	3 / 3.	2
2P	218	284	16	3 / 3.	2
3D	1000	284	16	3 / 3.	2
5L	299	218	22	3 / 3.	2
5P	230	674	3	3 / 3.	2
7	1000	284	16	3 / 3.	2

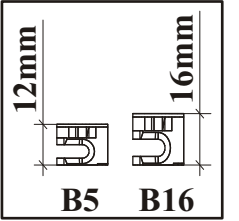
A1 x24 ø8x36	B4 x24	B5 x8 Ø15x12	B16 x16 Ø15x16	G5 x24	OD2 x1
E21 x4 Ø35 H=0	E2 x4 H=0	D10 x18 USØ3,5x13	G21 x2	D7 x6 USØ3x16	S1 x12
ZXL x2	ZXP x2	G20 x2	G32 x8	P2 x6	UP13 x6 UPØ3x16
KR2 x4	G2 x1				



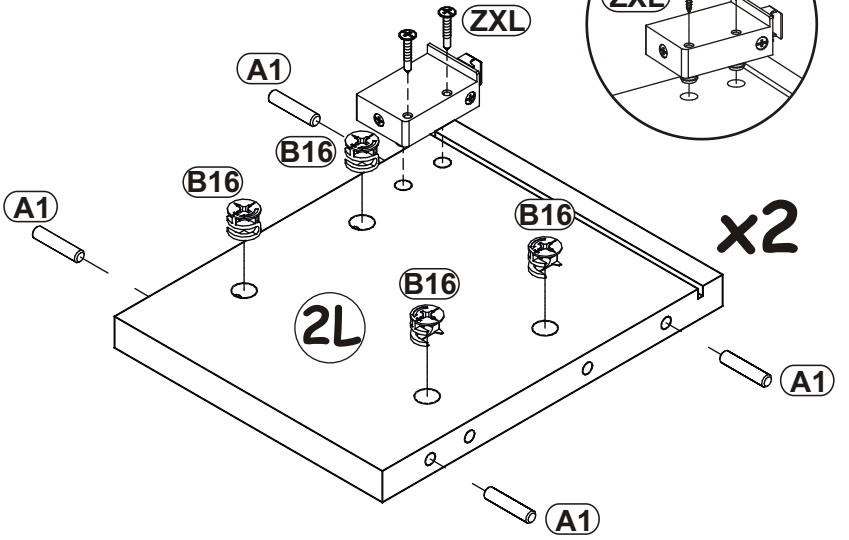
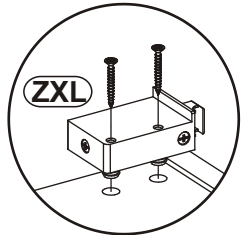
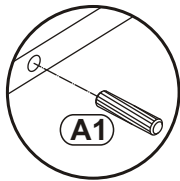
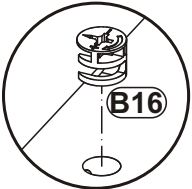
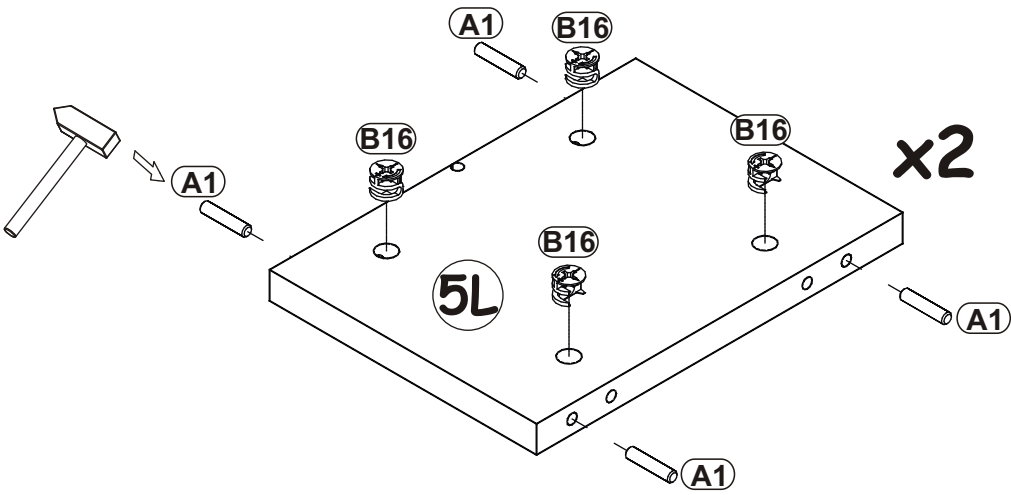
ZXL	
x2	

A1	
x16	ø8x36

B16	
x16	Ø15x16



1

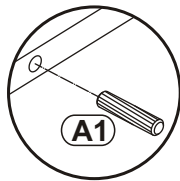
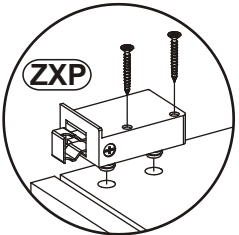
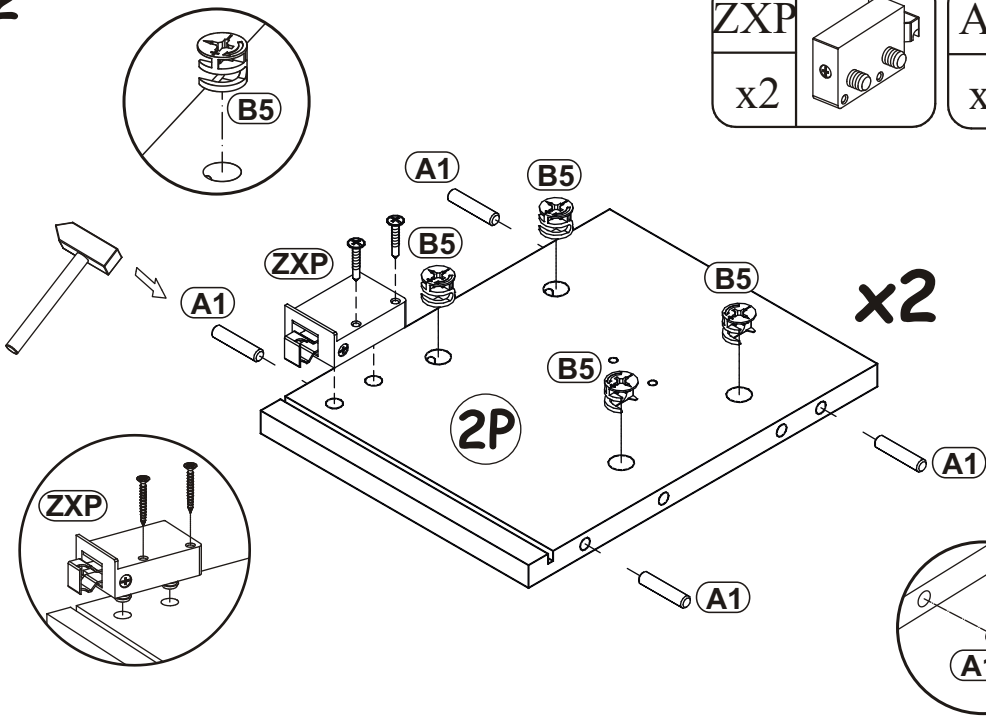
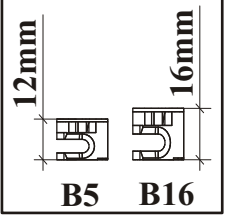


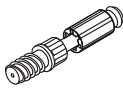

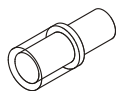
2

ZXP	
x2	

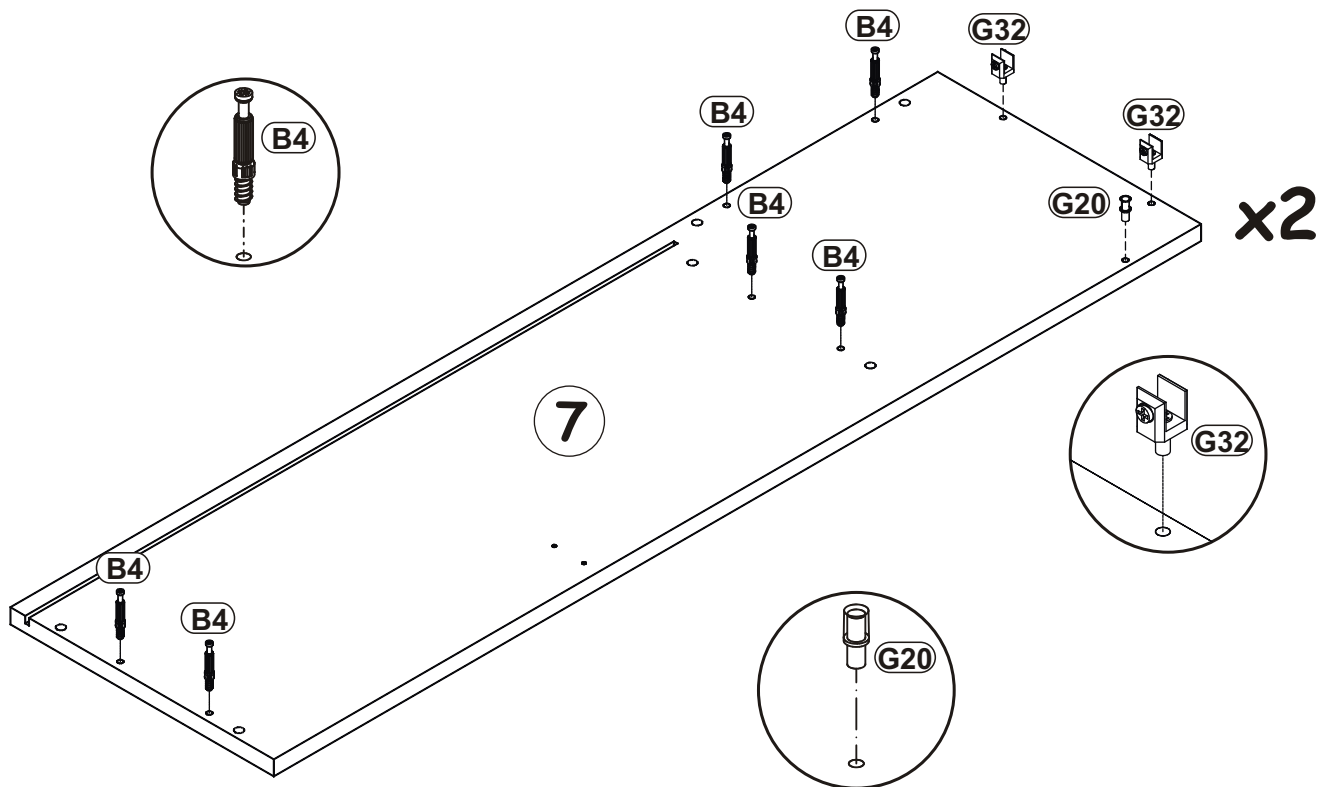
A1	
x8	ø8x36

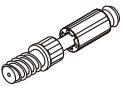
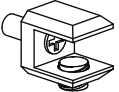
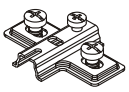
B5	
x8	Ø15x12



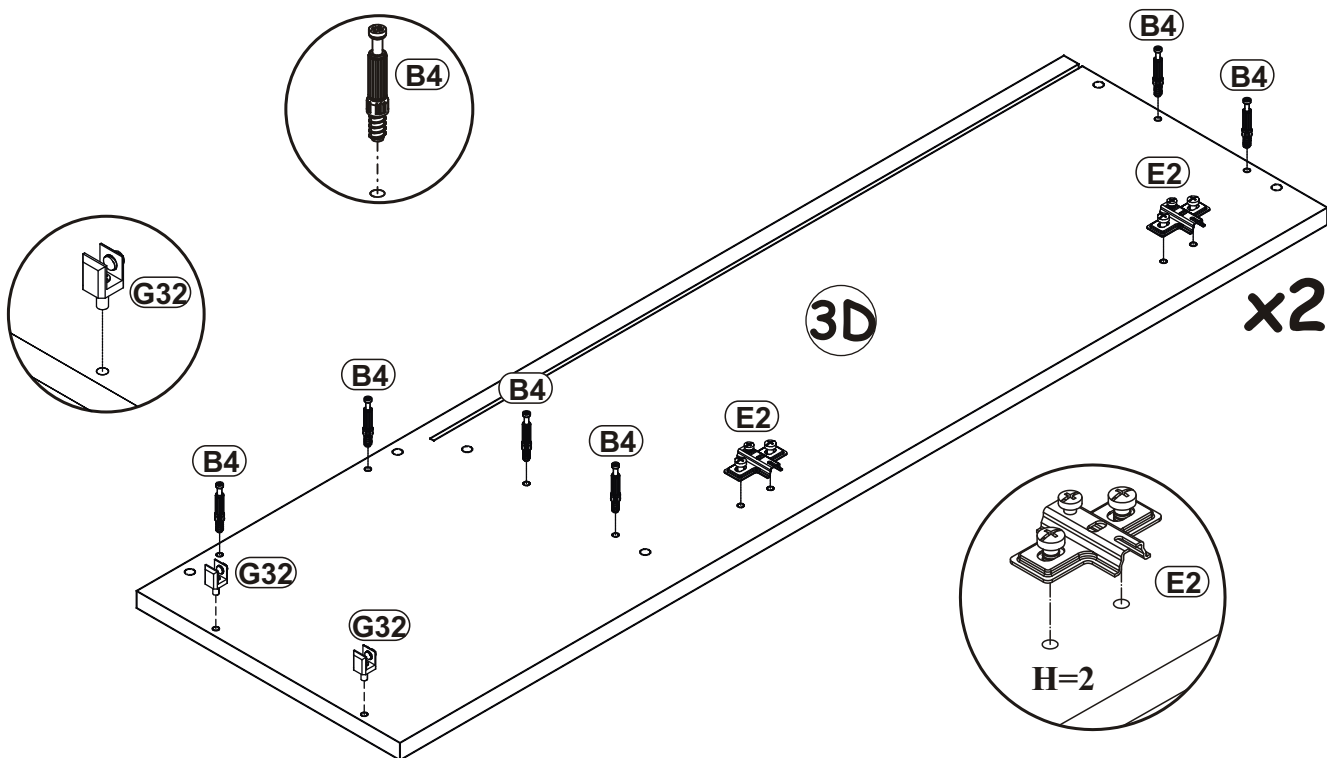
B4		G32		G20	
x12		x4		x2	

3




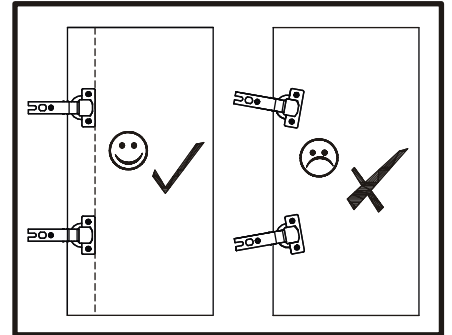
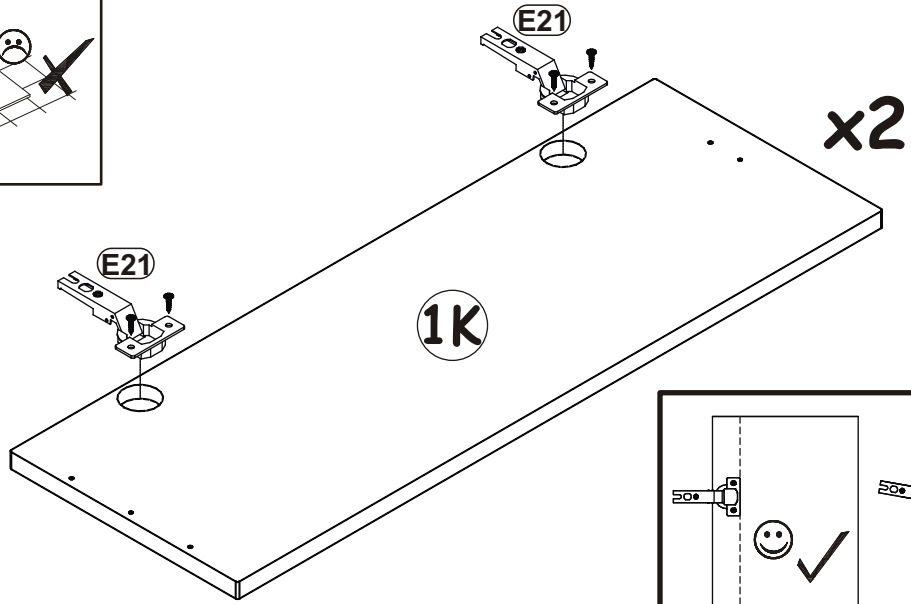
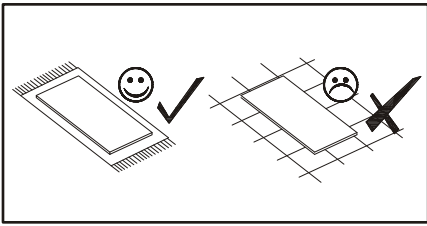
B4		G32		E2	
x12		x4		x4	H=0

4




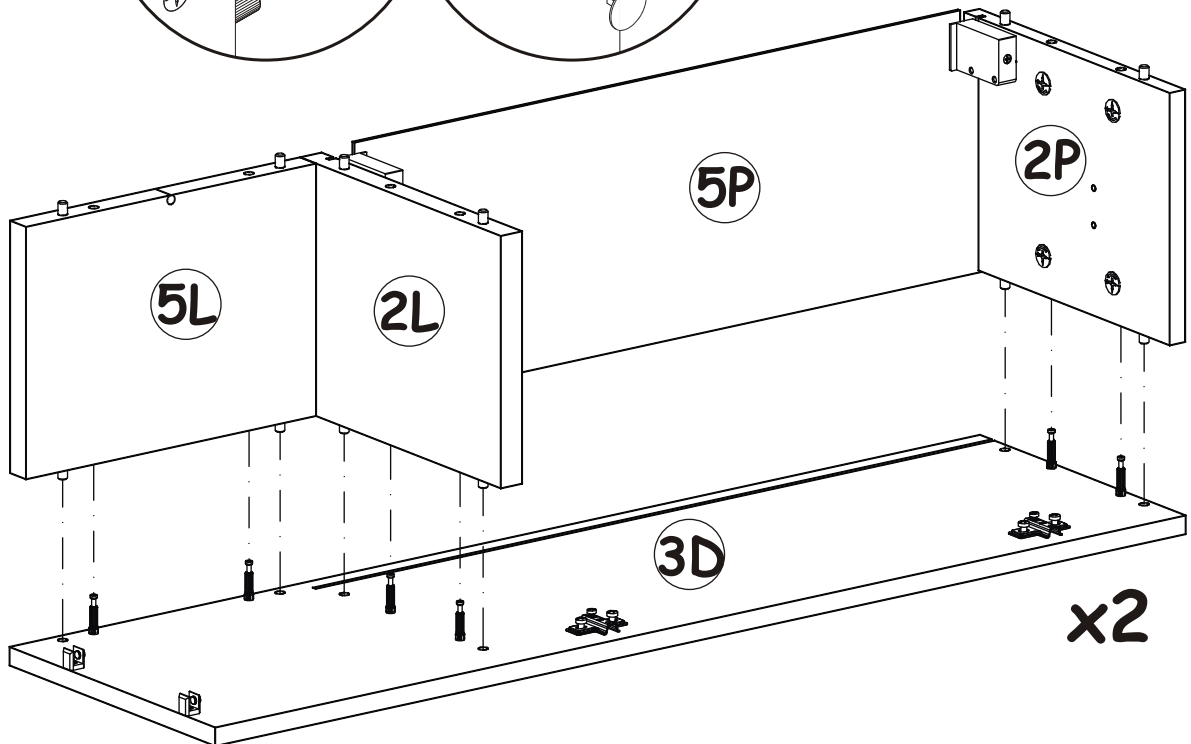
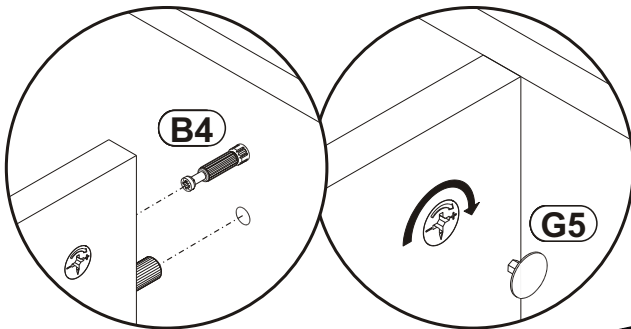
5

E21	Ø35	D10	
x4	H=0	x8	

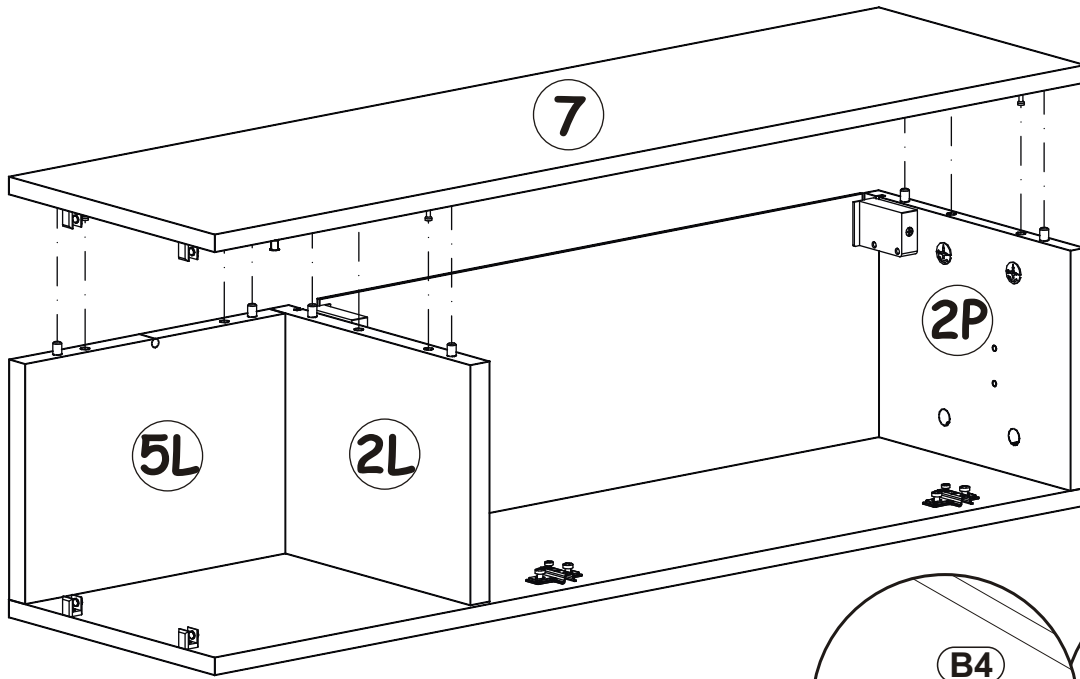


6

G5	
x12	



7

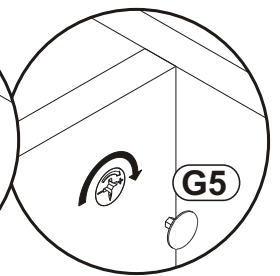
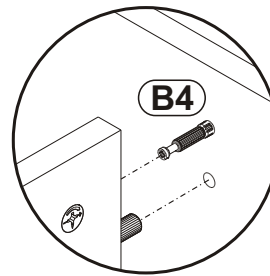


G5

x12



x2



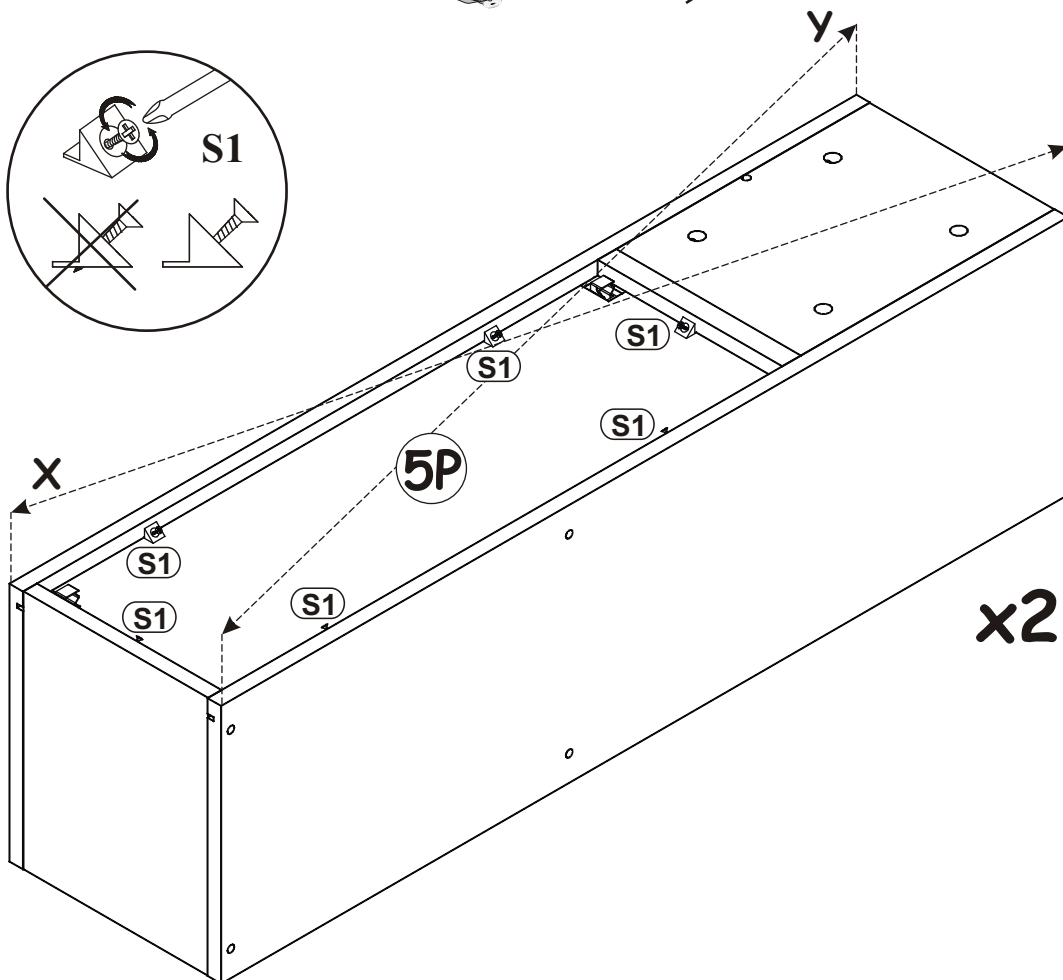
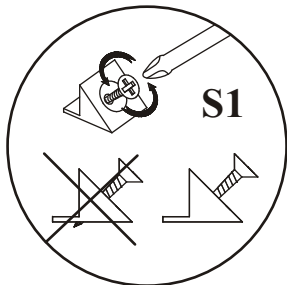
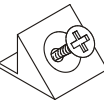
8



$X=Y$ $\uparrow 90^\circ$

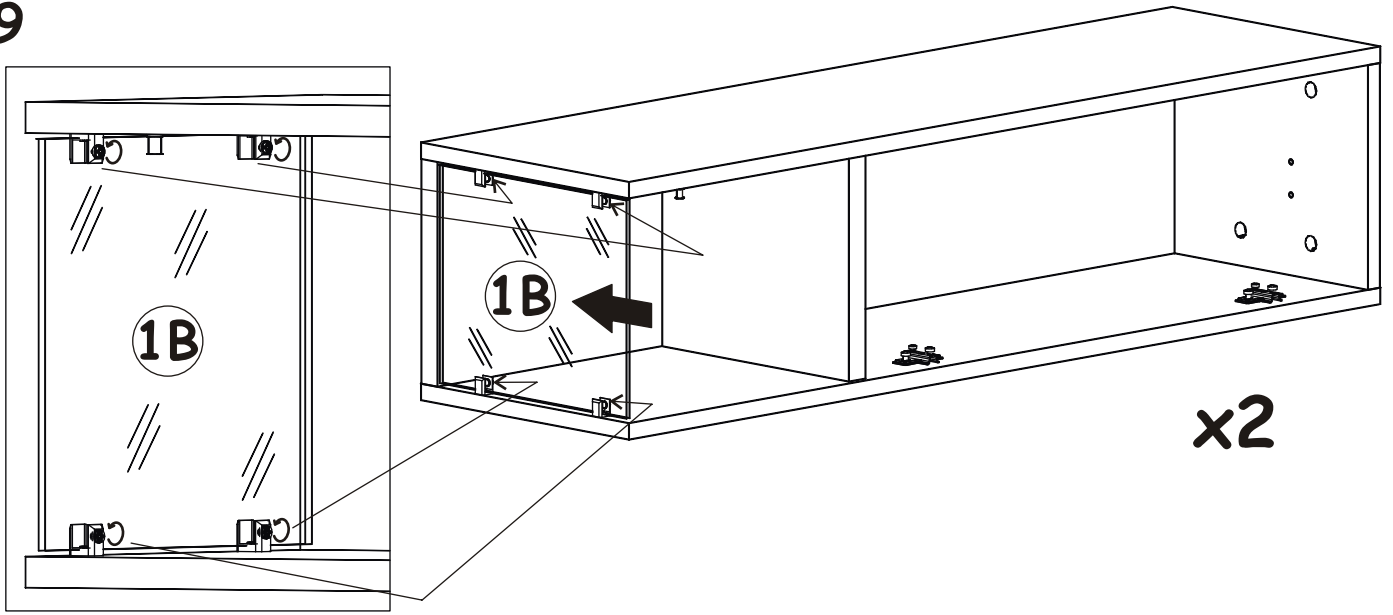
S1

x12

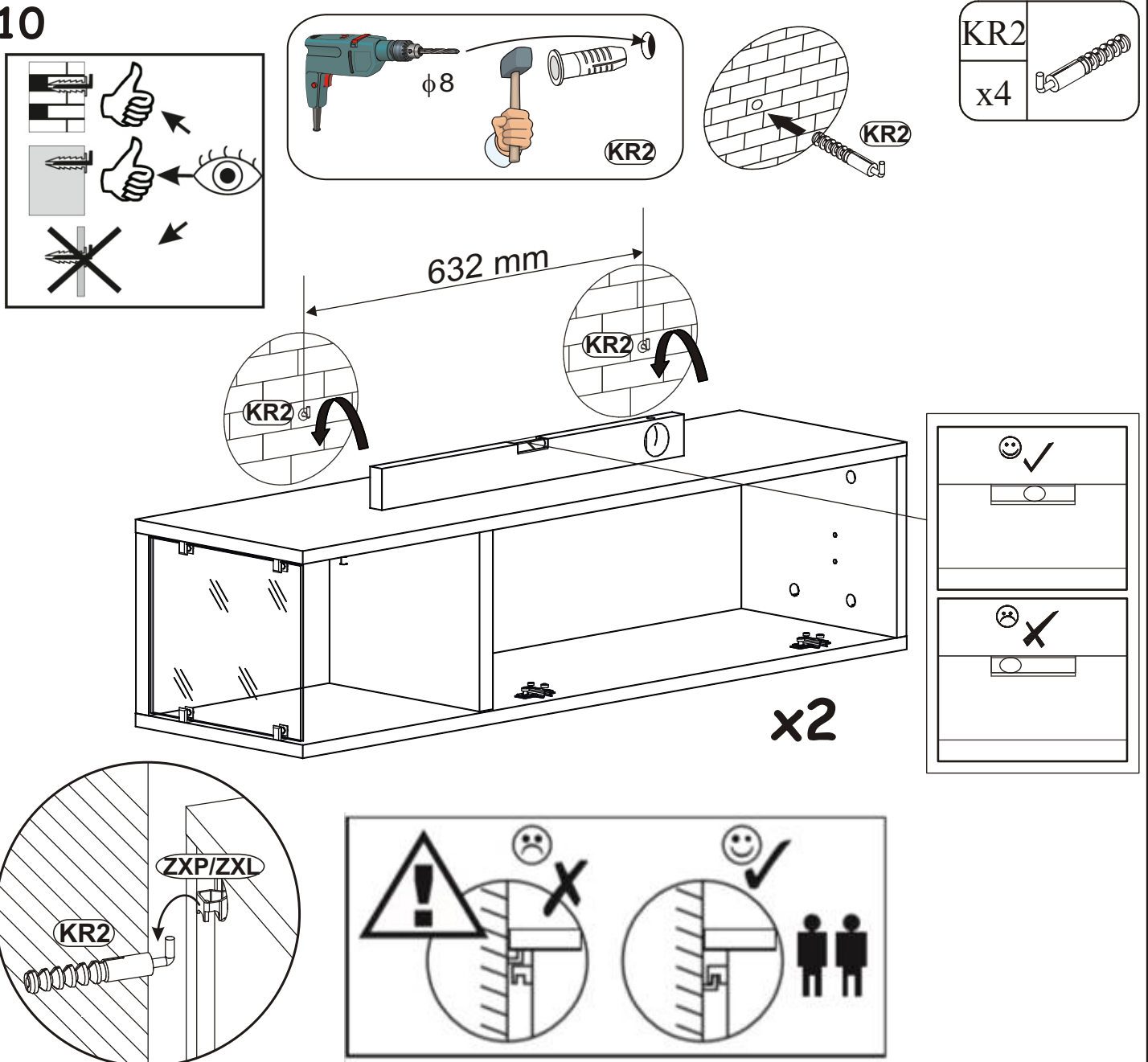


x2

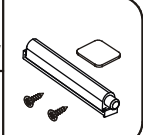

9

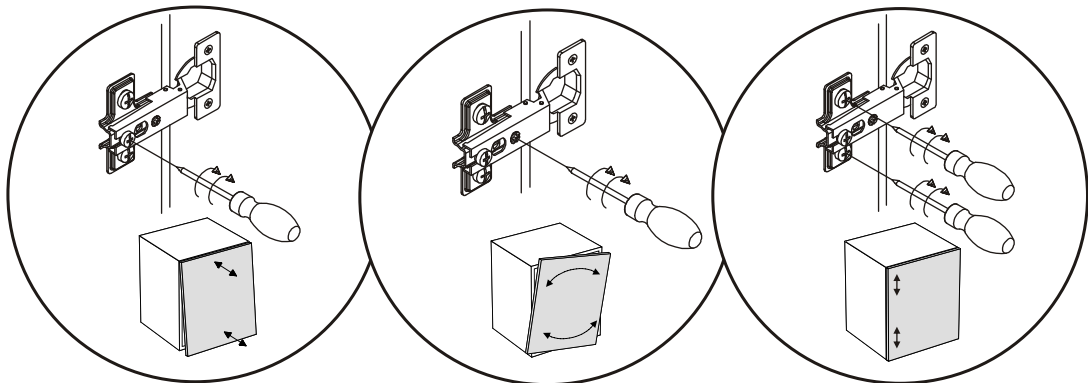
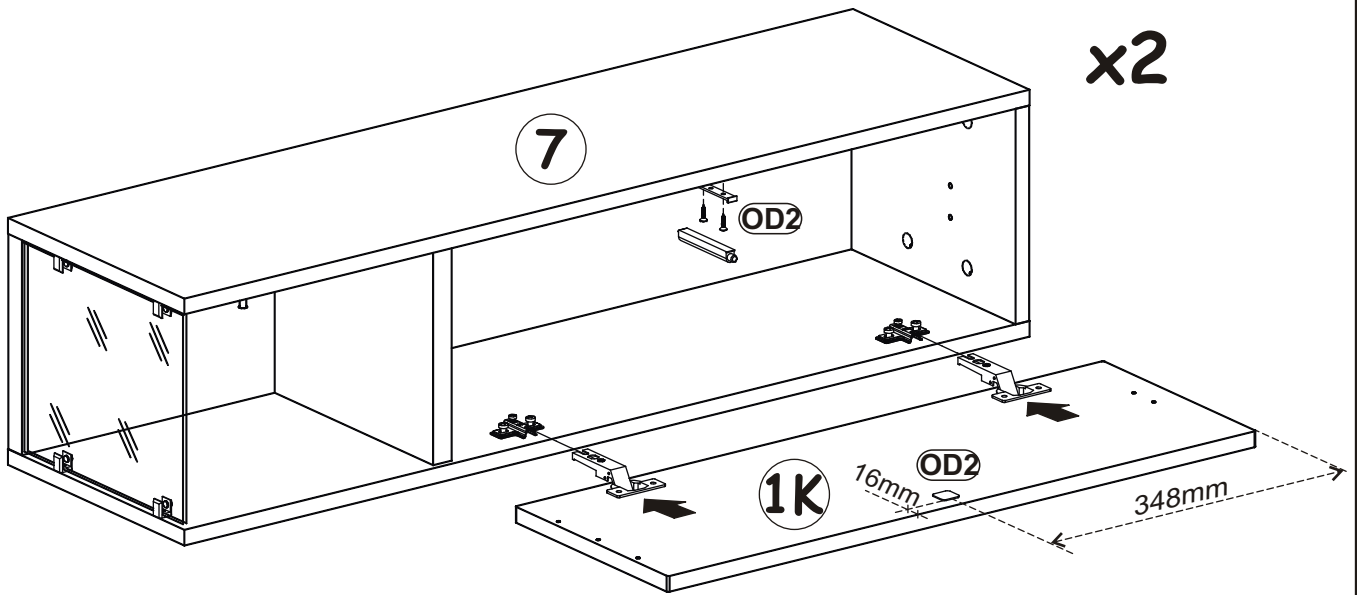
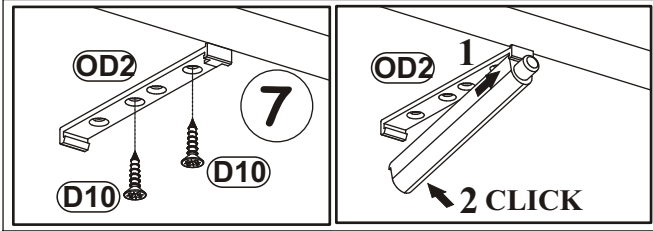


10

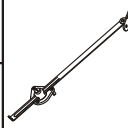


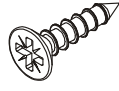
11

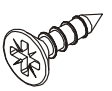
OD2		D10	
x2		x4	USØ3,5x13

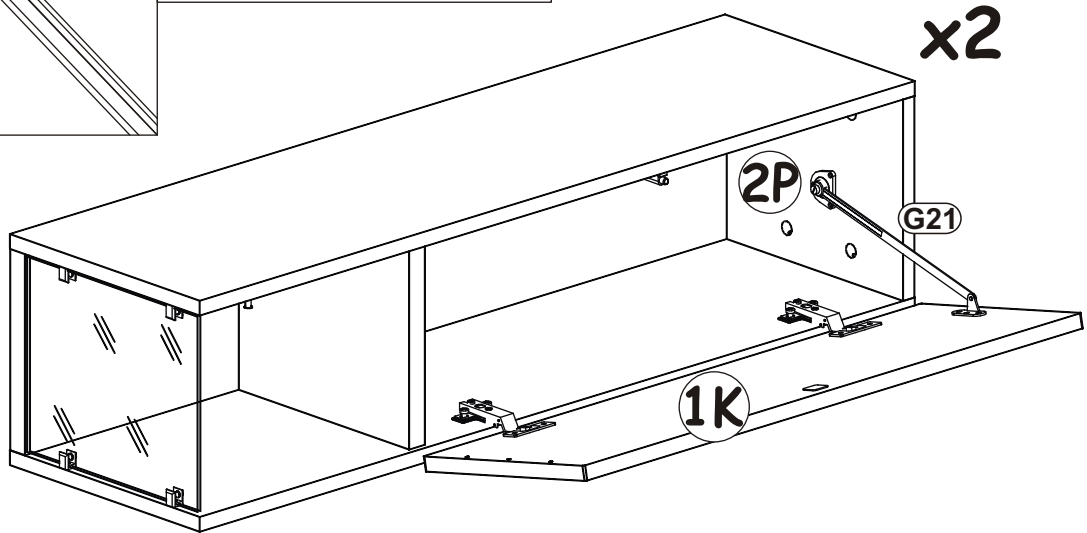
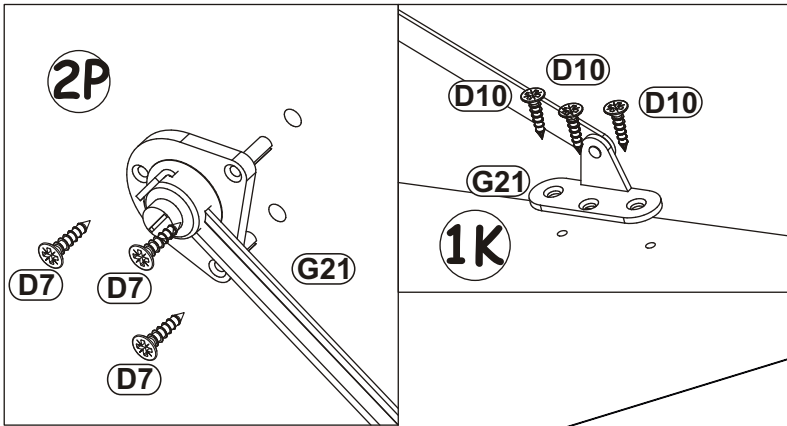


12


G21	
x2	


D7	
x6	USØ3x16

D10	
x6	USØ3,5x13



13

P2	
x6	

UP13	
x6	UPØ3x16

