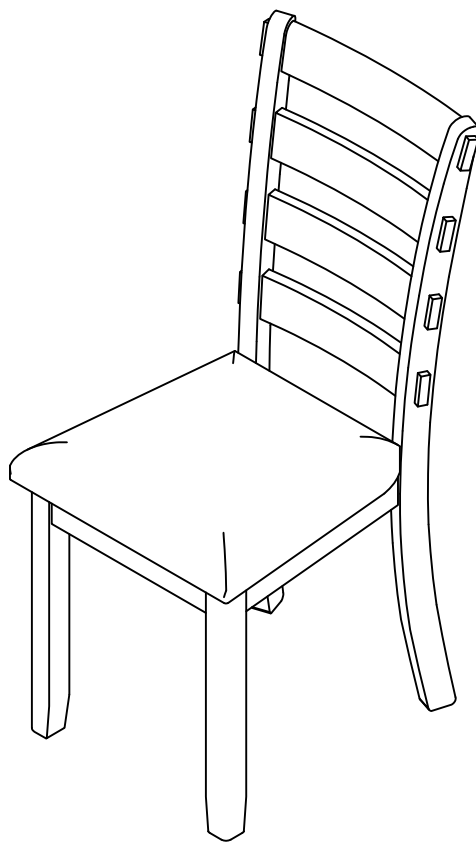


# ASSEMBLY INSTRUCTIONS

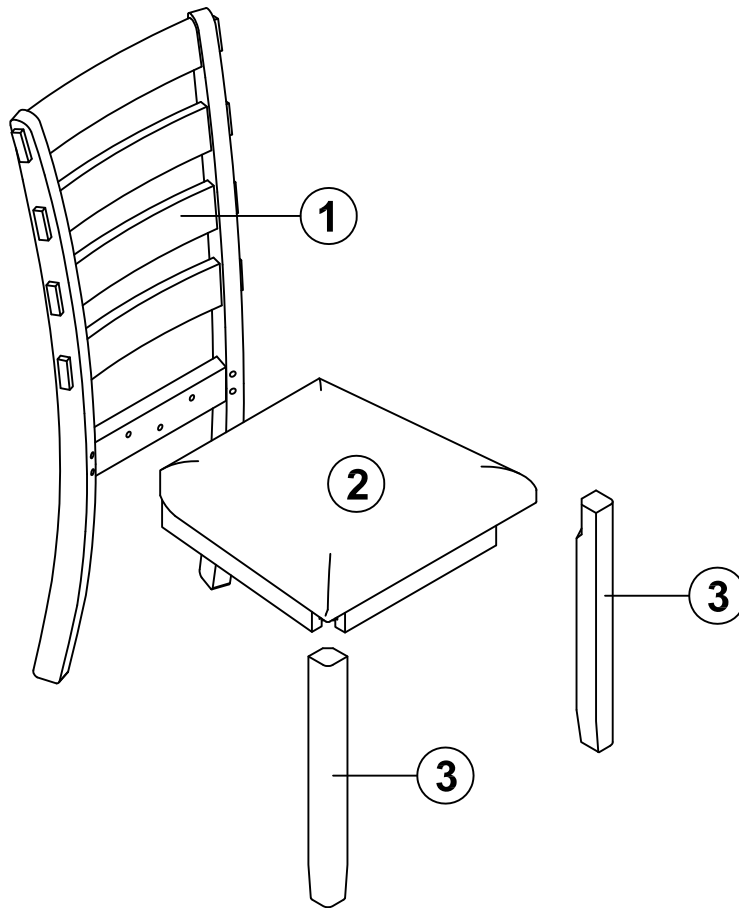
## DINING CHAIR



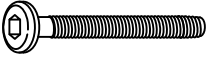



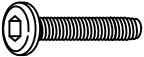

WF298395

**IMPORTANT NOTE:**

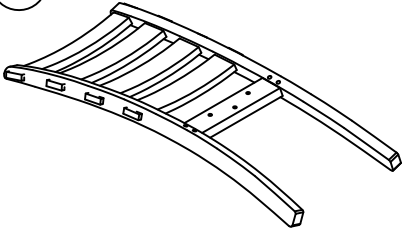
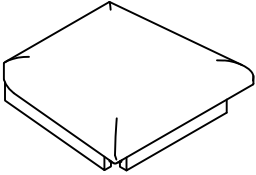
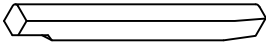
- ① PLACE ALL PARTS ON A CLEAN AND SMOOTH SURFACE SUCH AS A RUG OR CARPET TO AVOID THE PARTS FROM BEING SCRATCHED.
- ② BEFORE YOU BEGIN, KINDLY FOLLOW THE ASSEMBLY INSTRUCTIONS STEP BY STEP.
- ③ DO NOT TIGHTEN ALL SCREWS AND BOLTS UNTIL THE CHAIR IS FULLY SET-UP.



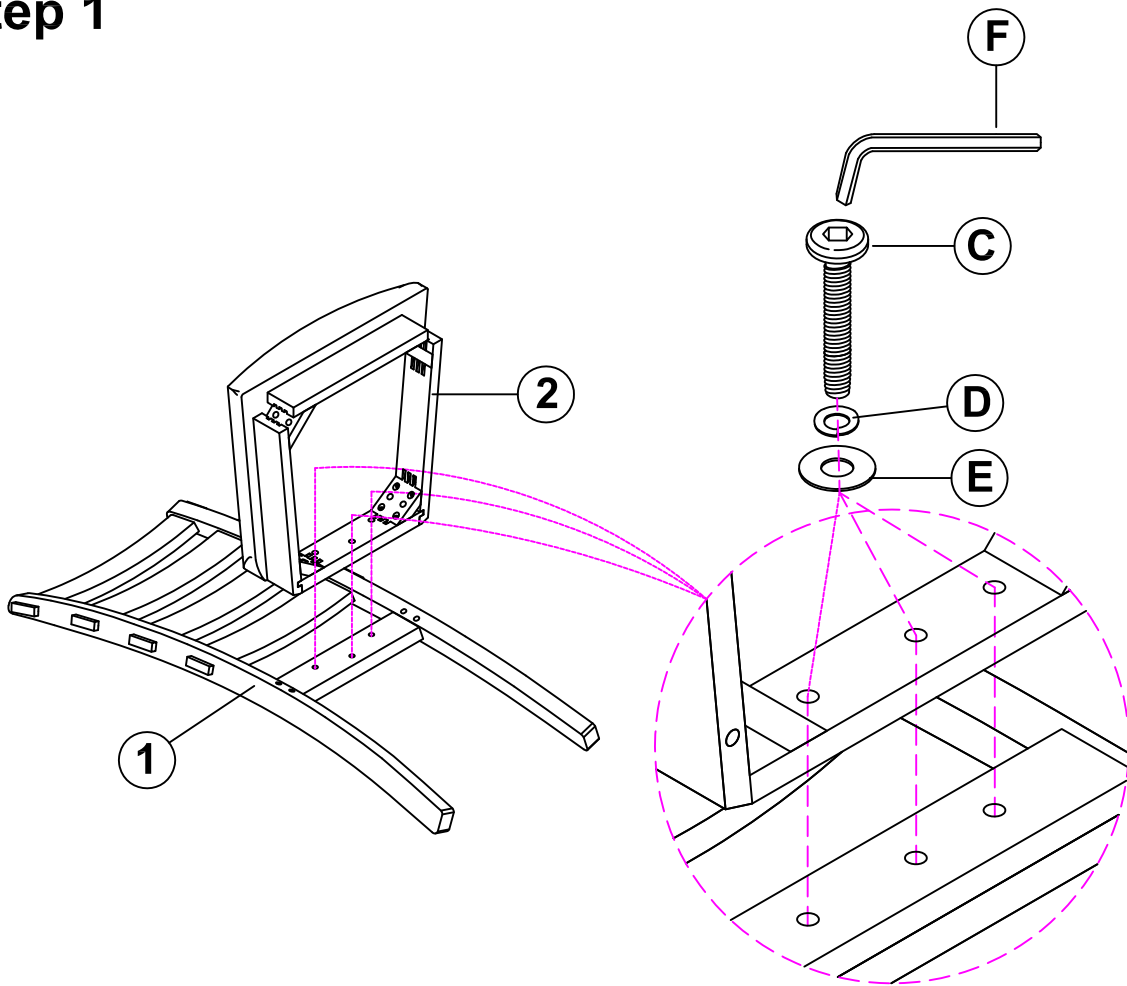
## Hardware List For One Chair





|  |  |
|--|--|
| <p><b>A</b></p>  <p>Ø1/4"x 85mm</p> | <p><b>D</b></p>  <p>Ø1/4"x 11mm</p> |
| <p>BOLT (4pcs)</p>   | <p>LOCK WASHER (11pcs)</p>   |
| <p><b>B</b></p>  <p>Ø1/4"x 60mm</p> | <p><b>E</b></p>  <p>Ø1/4"x 19mm</p> |
| <p>BOLT (4pcs)</p>   | <p>FLAT WASHER (11pcs)</p>   |
| <p><b>C</b></p>  <p>Ø1/4"x 40mm</p> | <p><b>F</b></p>  <p>4mm</p>         |
| <p>BOLT (3pcs)</p>   | <p>ALLEN KEY (1pc)</p>   |

# Part List For One Chair

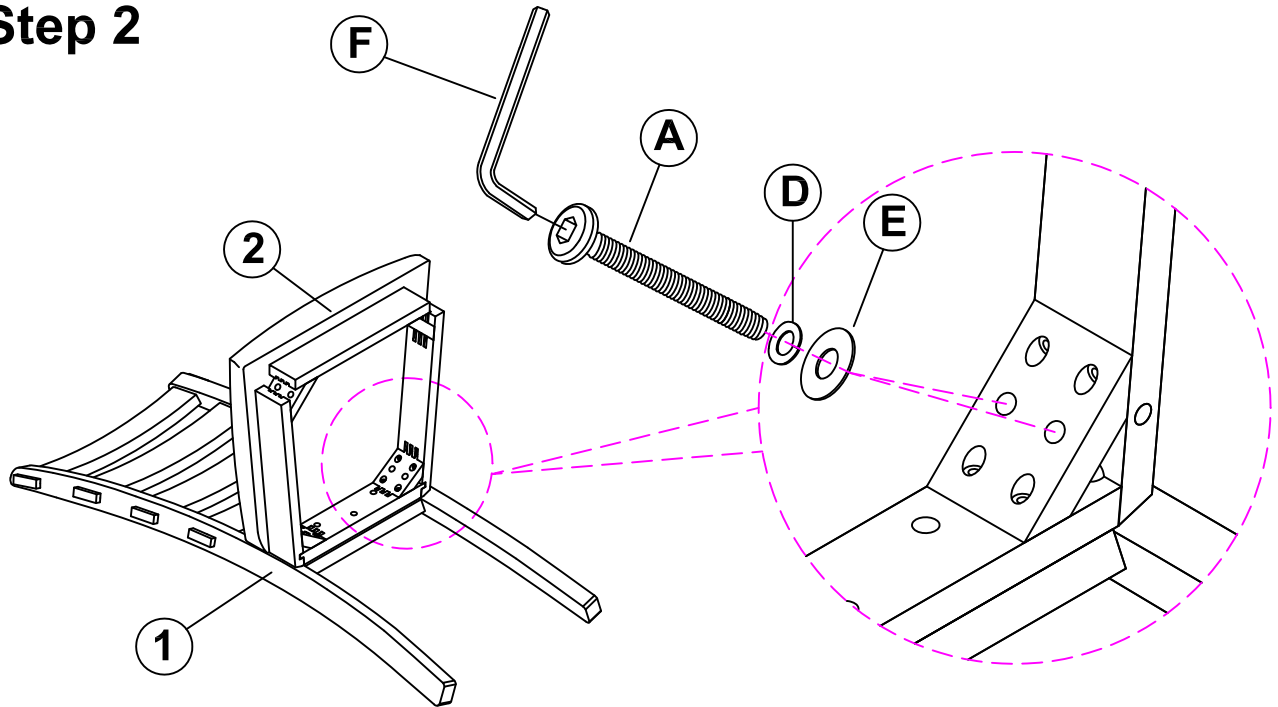
|   |   |   |
|---|---|---|
|  |  |  |
| BACK FRAME (1pc)  | SEAT FRAME (1pc)  | FRONT LEG (2pcs)  |





## Step 1



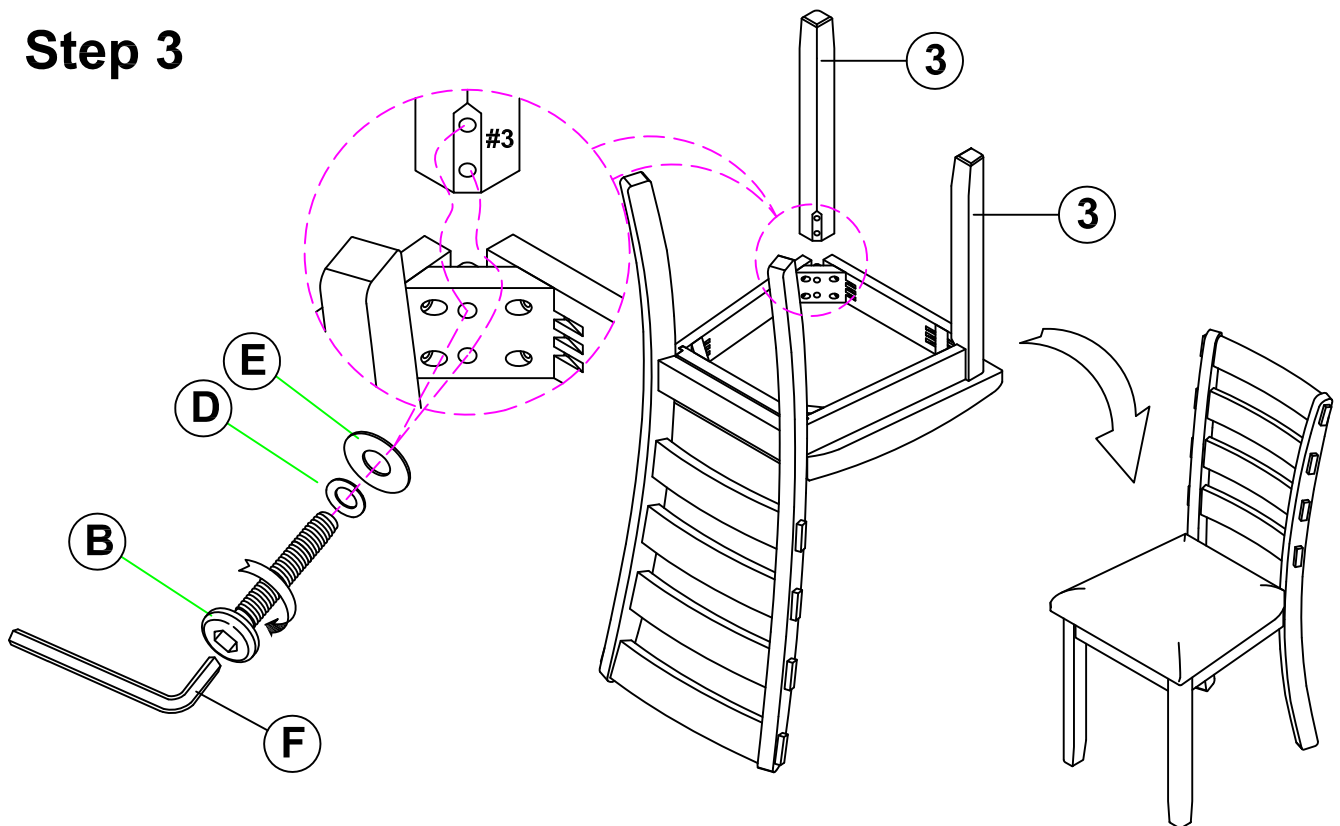
|   |             |   |      |   |            |   |      |
|---|-------------|---|------|---|------------|---|------|
| C | Ø1/4"x 40mm |  | 3pcs | E | Ø1/4"x19mm |  | 3pcs |
| D | Ø1/4"x11mm  |  | 3pcs | F | 4mm        |  | 1pc  |





## Step 2



|   |             |   |      |   |            |   |      |
|---|-------------|---|------|---|------------|---|------|
| A | Ø1/4"x 85mm |   | 4pcs | E | Ø1/4"x19mm |   | 4pcs |
| D | Ø1/4"x11mm  |  | 4pcs | F | 4mm        |  | 1pc  |

## Step 3



|   |             |   |      |   |            |   |      |
|---|-------------|---|------|---|------------|---|------|
| B | Ø1/4"x 60mm |  | 4pcs | E | Ø1/4"x19mm |  | 4pcs |
| D | Ø1/4"x11mm  |  | 4pcs | F | 4mm        |  | 1pc  |