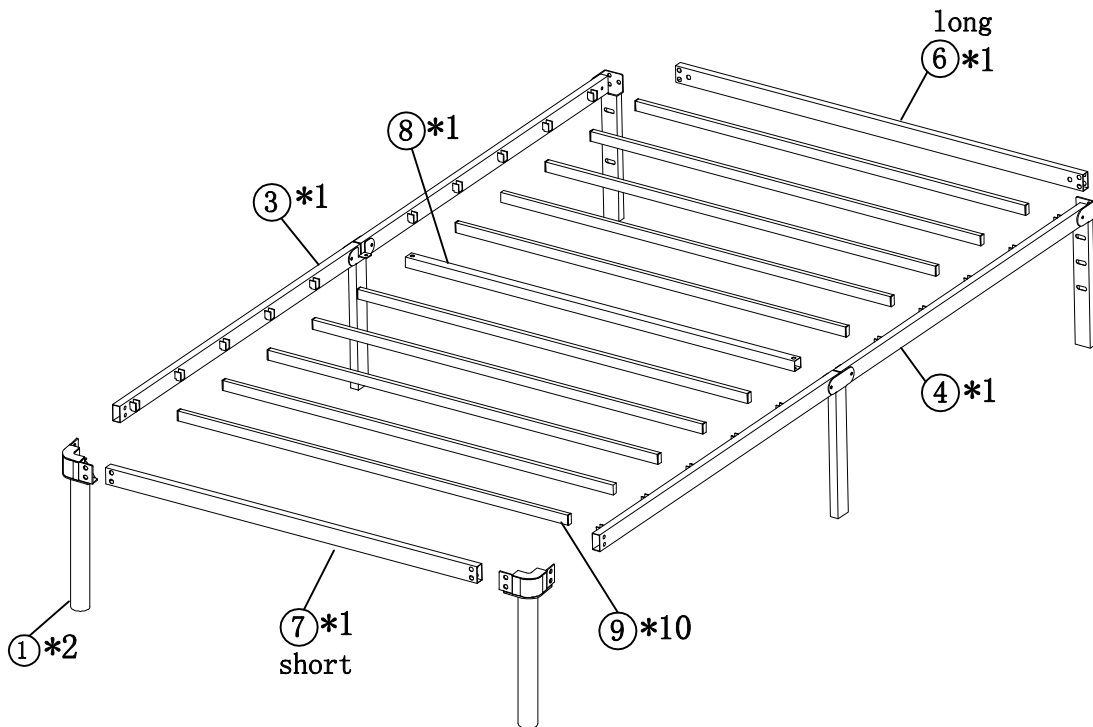
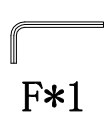
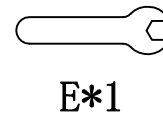
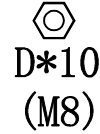
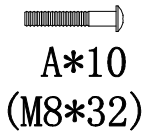
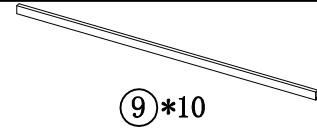
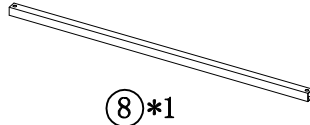
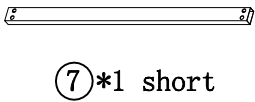
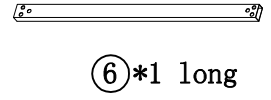
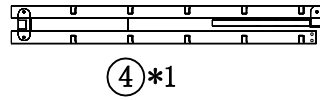
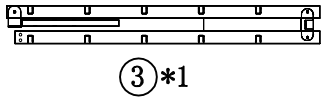
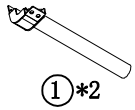


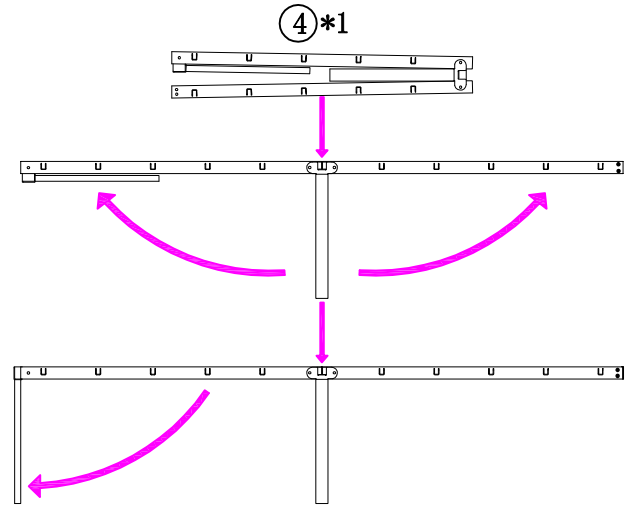
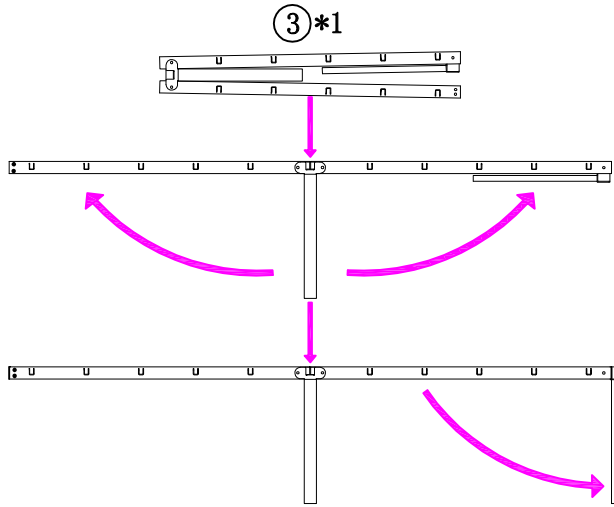
Platform Bed Set-up Instruction

If you have any questions about the product, please don't hesitate to contact us. You can reach us through your order. Thanks for your support!

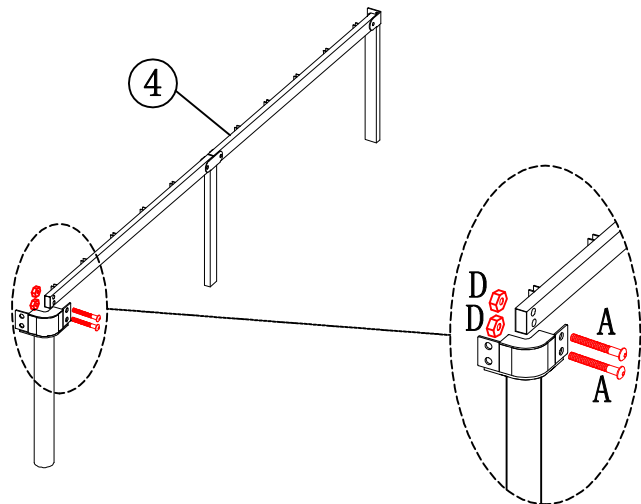
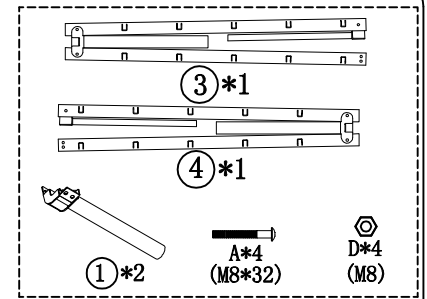
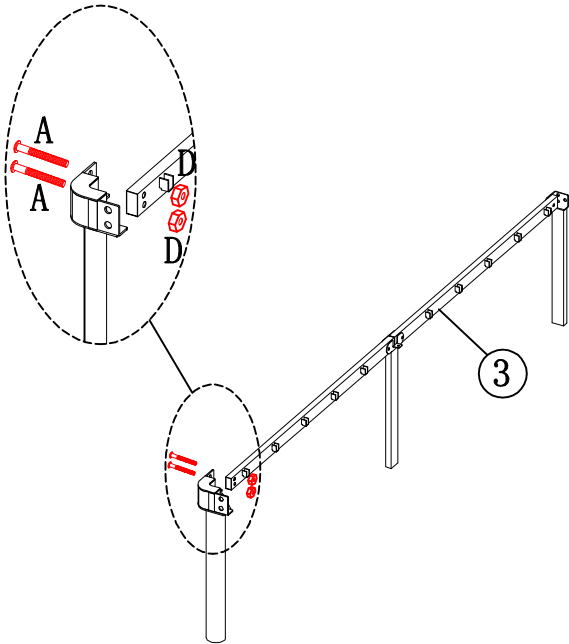


Size: Twin/TwinXL

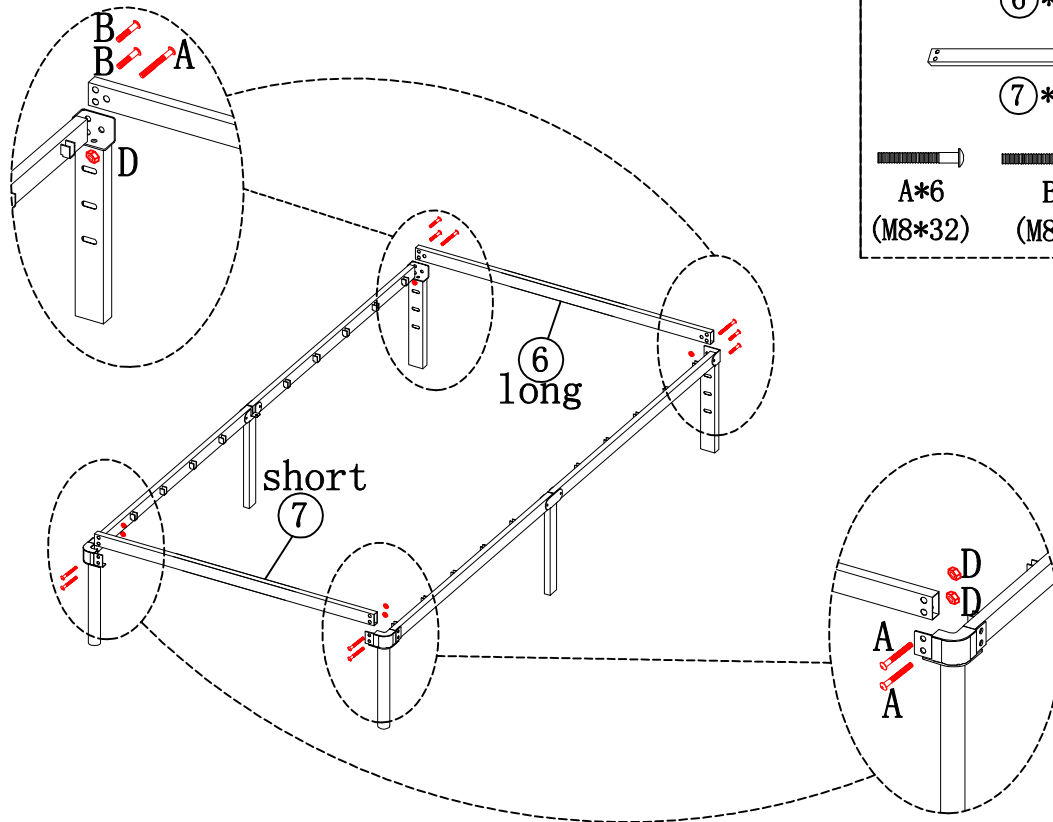
Step1



Step2

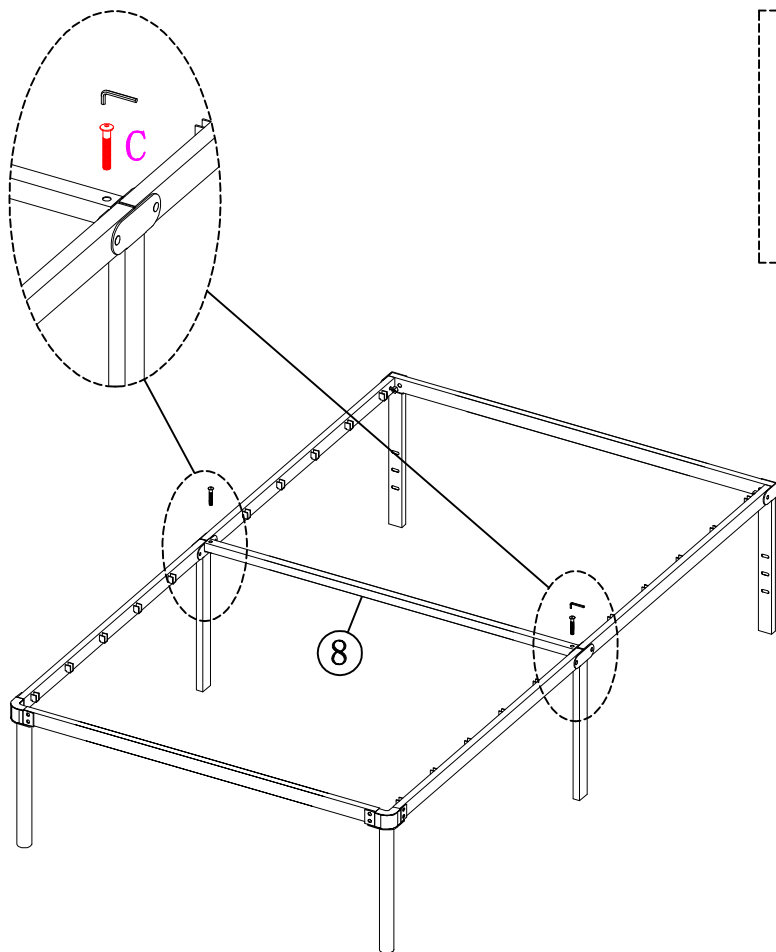


Step3



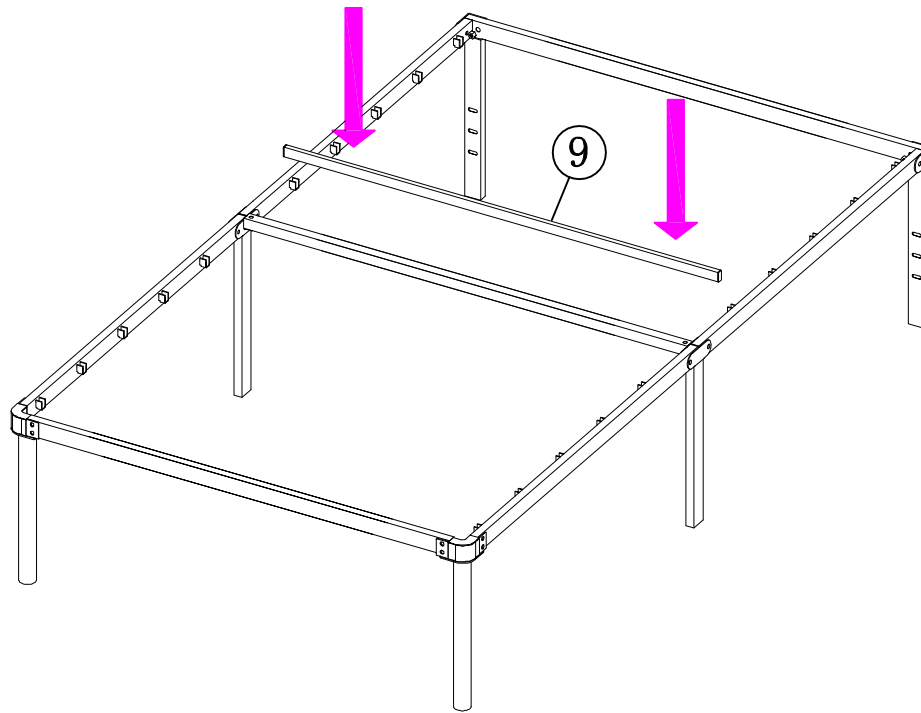
	⑥ *1 long
	⑦ *1 short
	A*6 (M8*32)
	B*4 (M8*41)
	D*6 (M8)

Step4

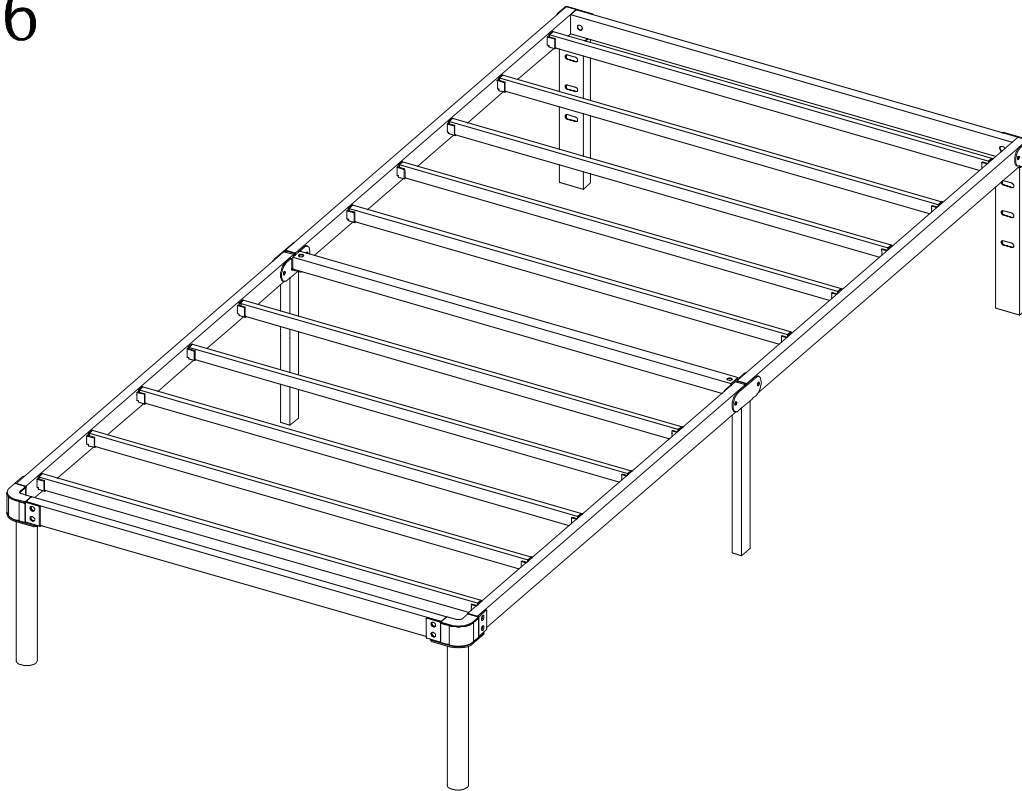


	⑧ *1
	C*2 (M8*35)

Step5



Step6



In the last step. please make sure all the screws are tightened.