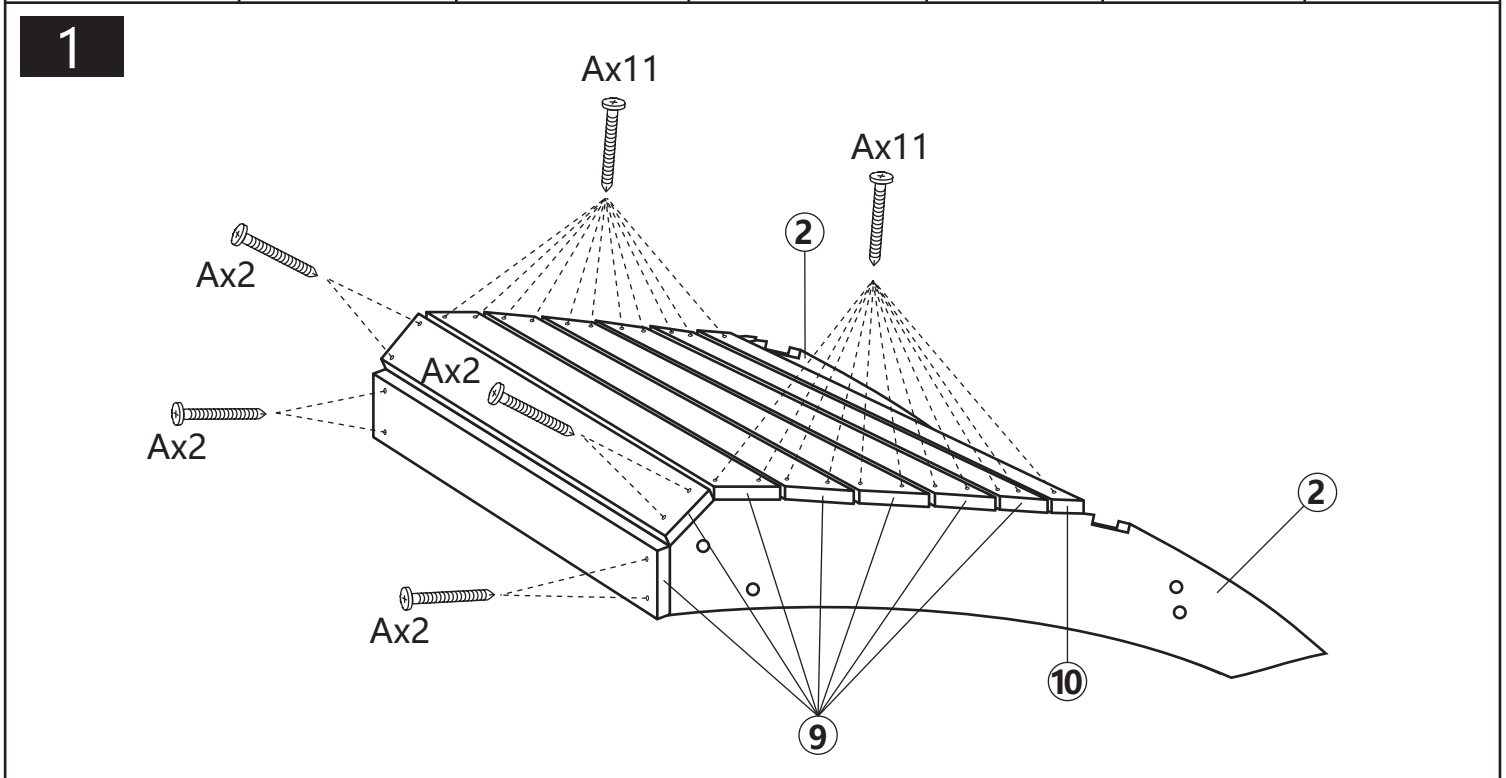
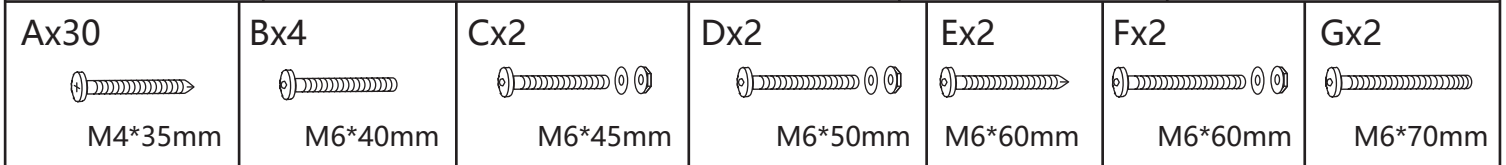
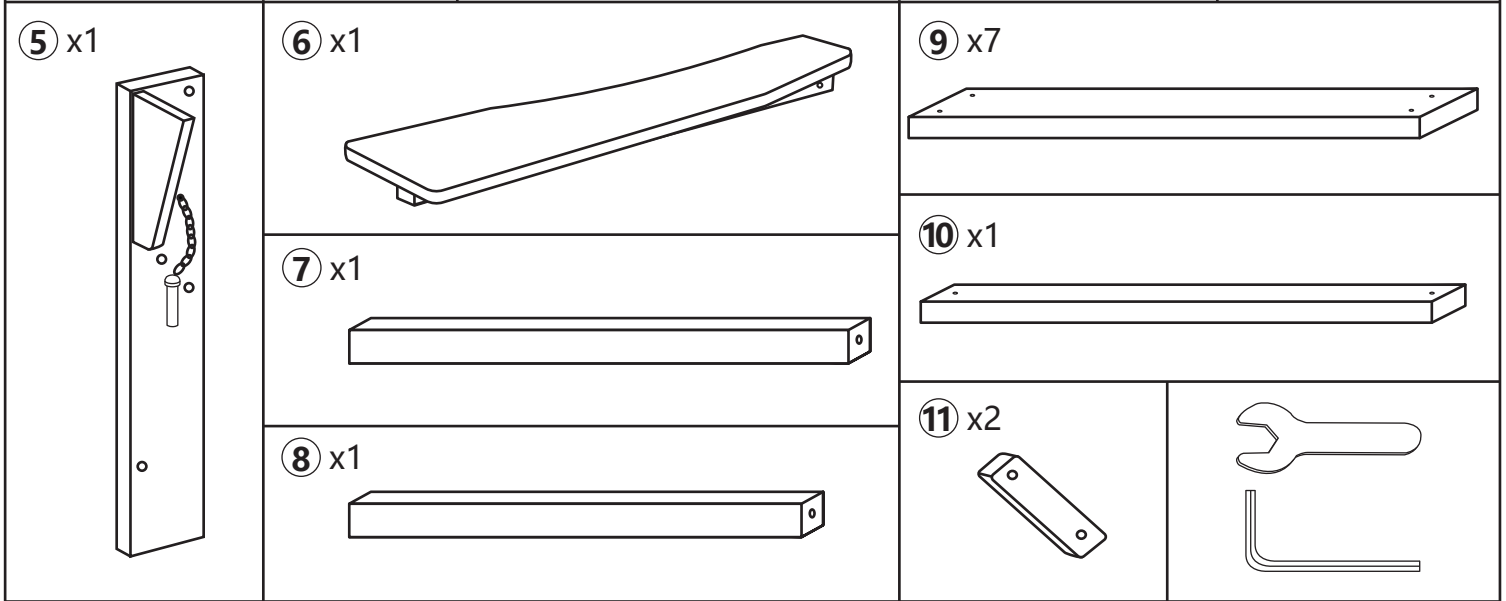
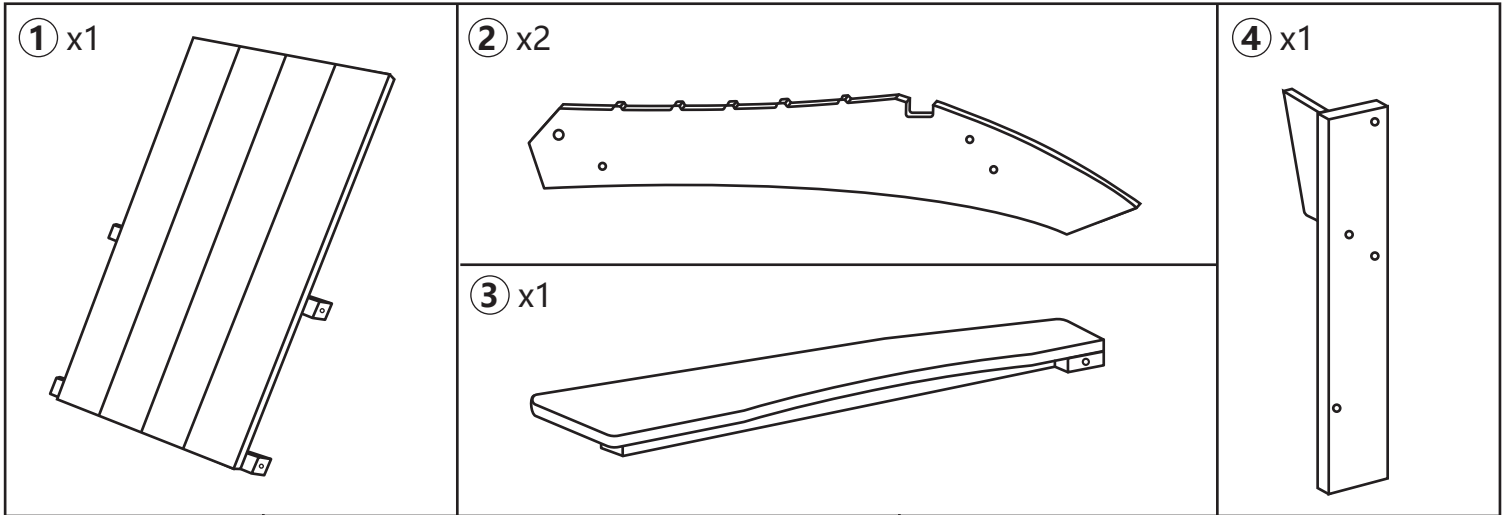


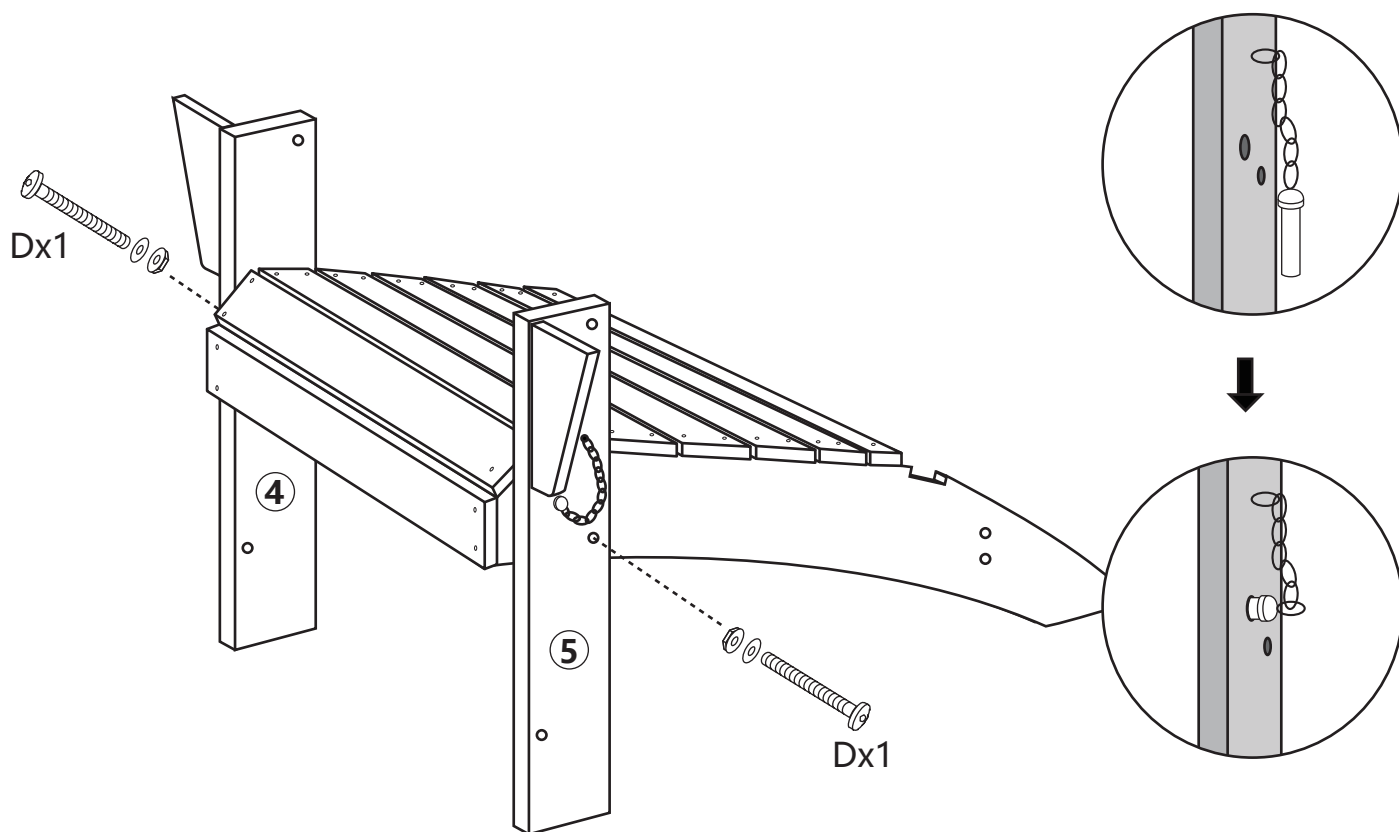
FOLDABLE **ADIRONDACK CHAIR**

USER MANUAL

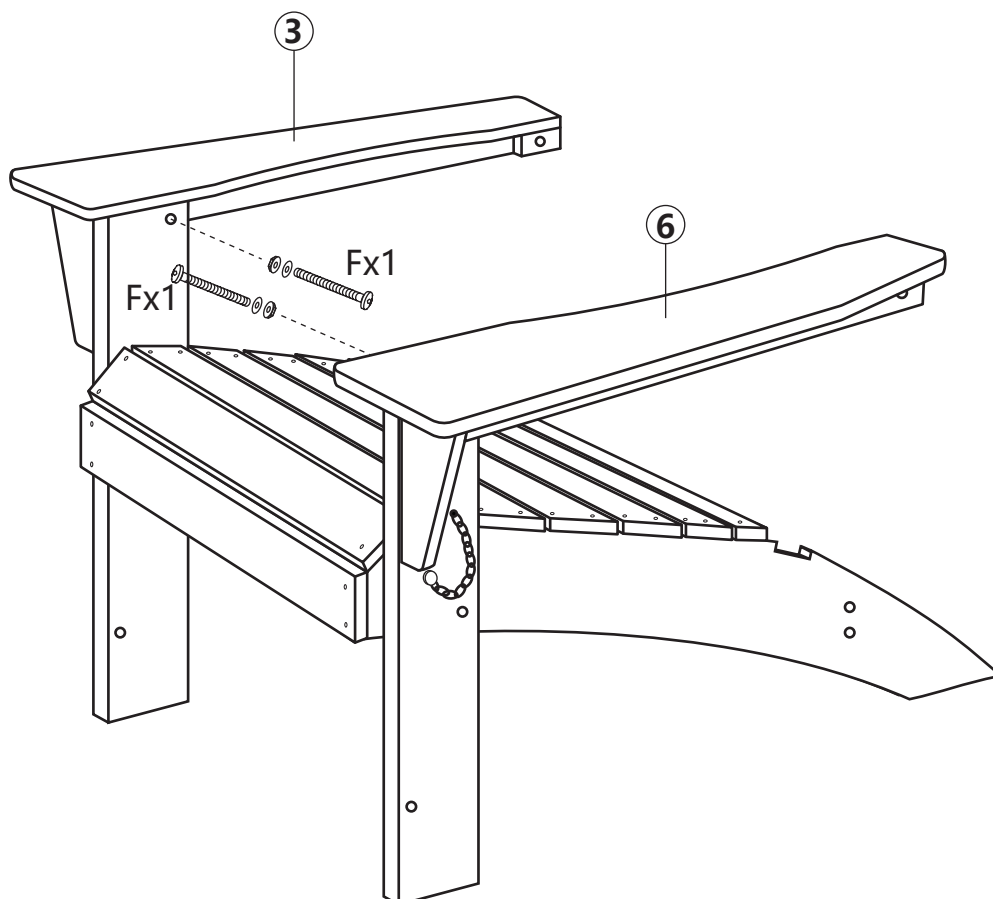
CHAIR PRODUCT LIST AND INSTALLATION STEPS



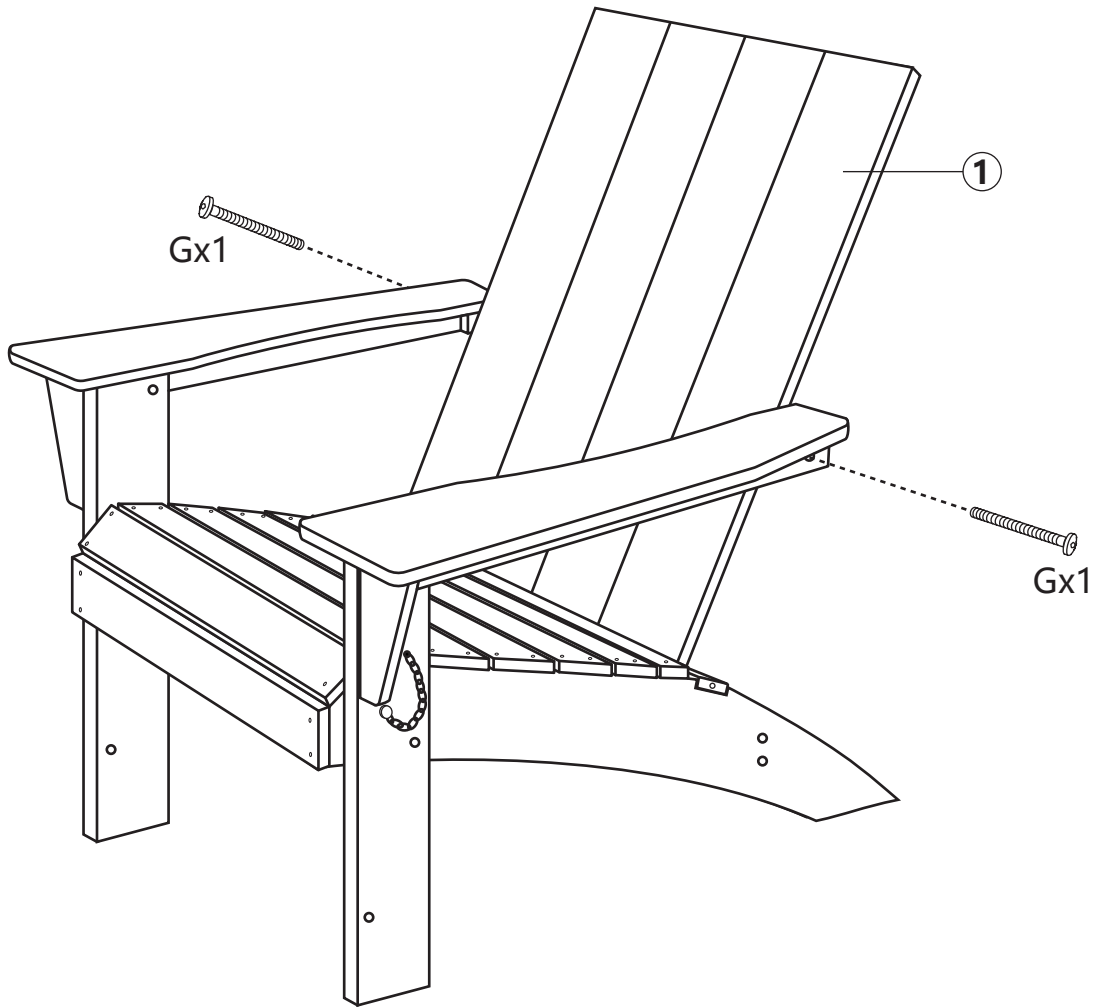
2



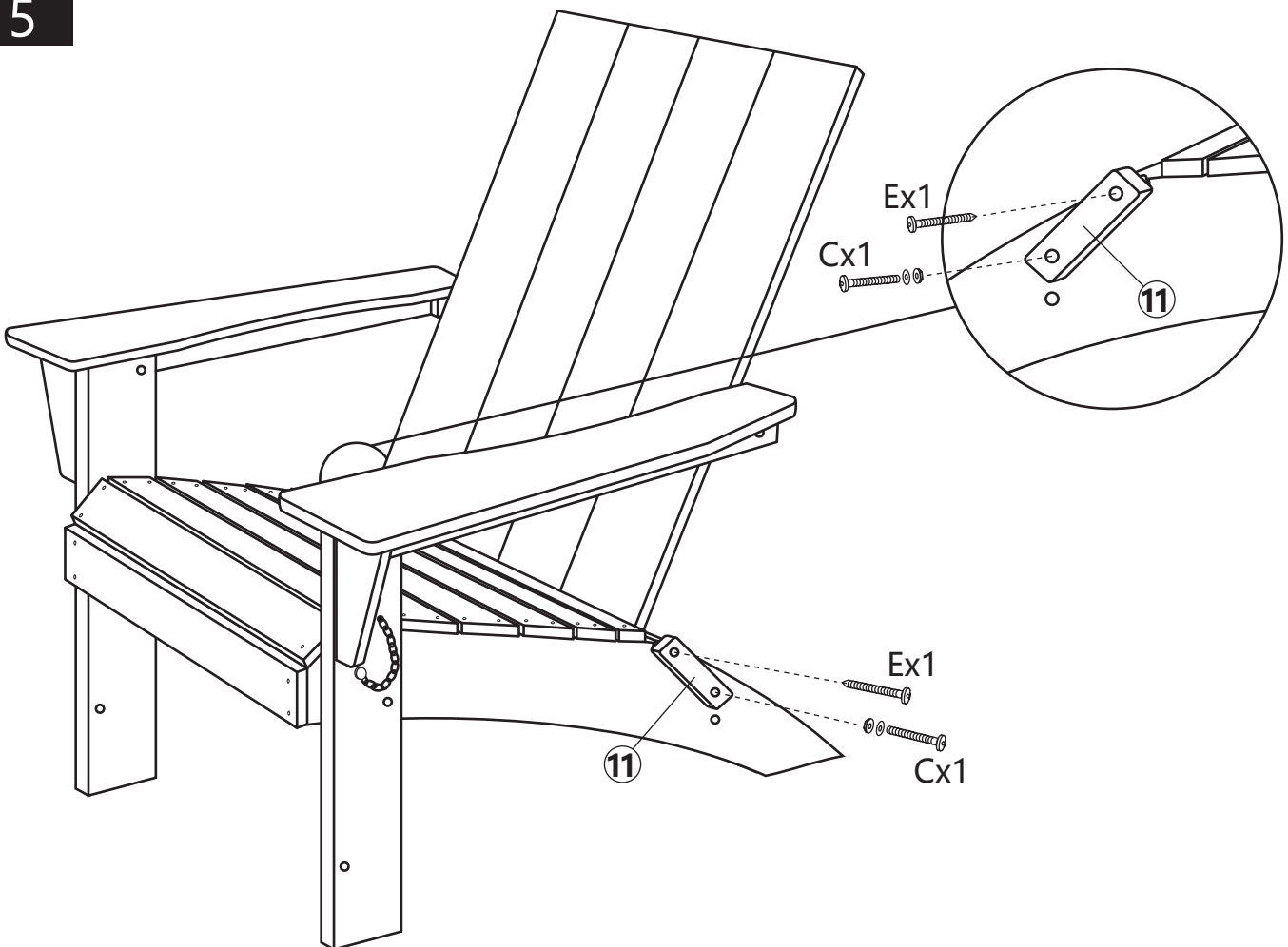
3



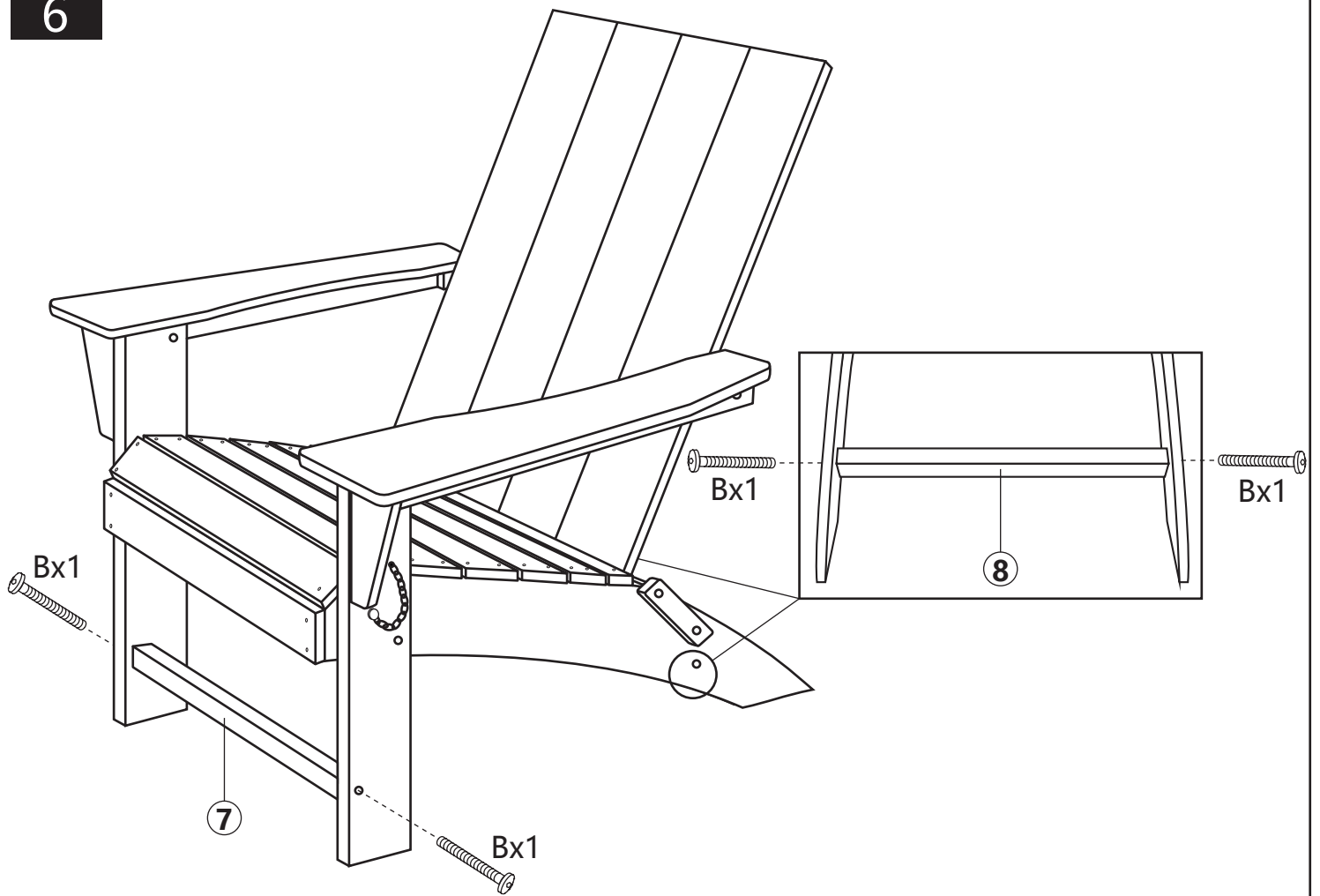
4



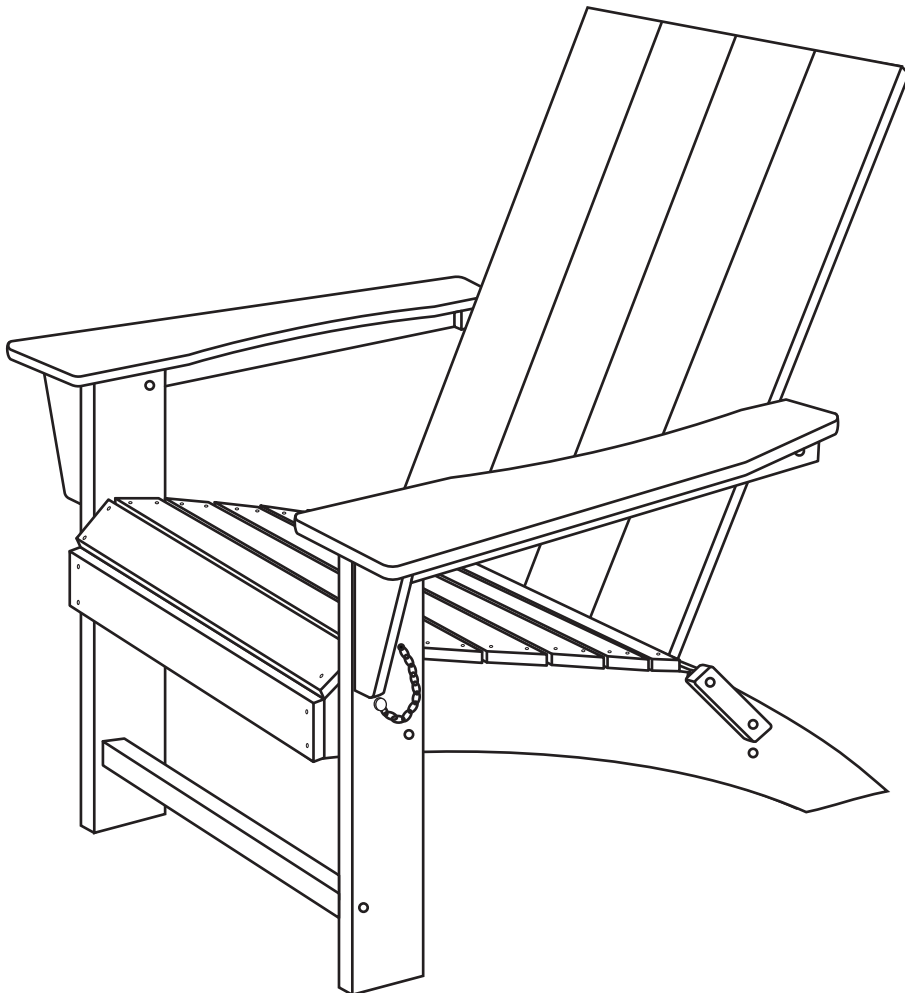
5

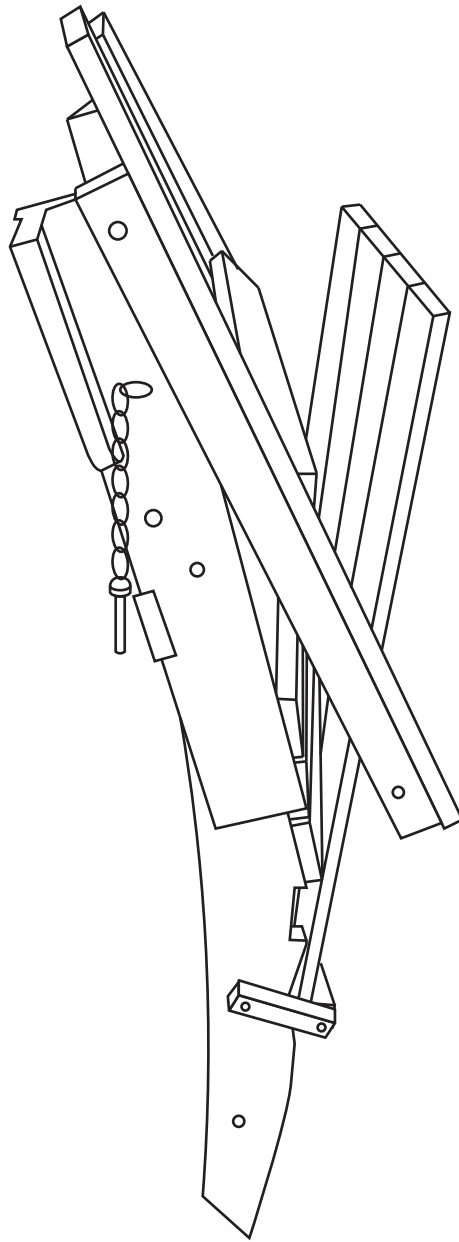
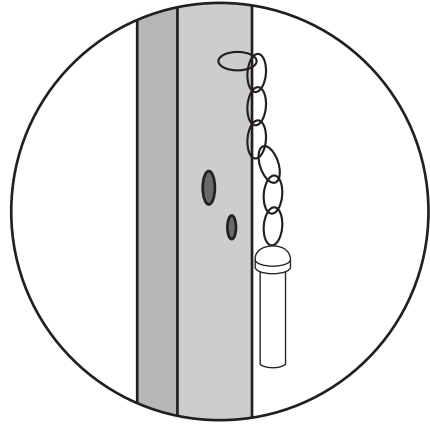
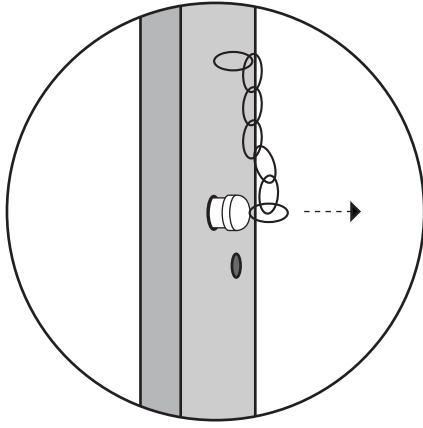


6

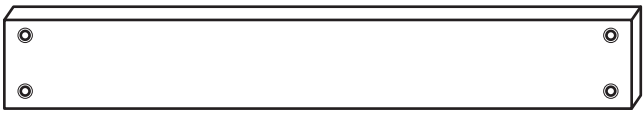

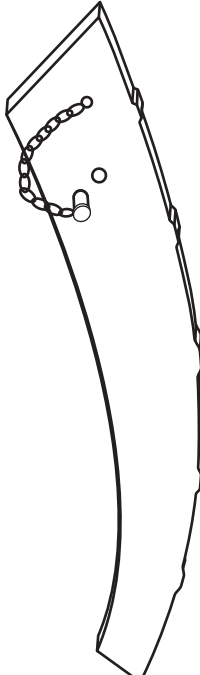
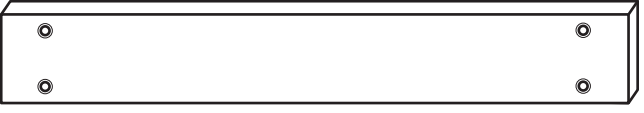

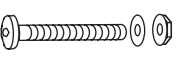





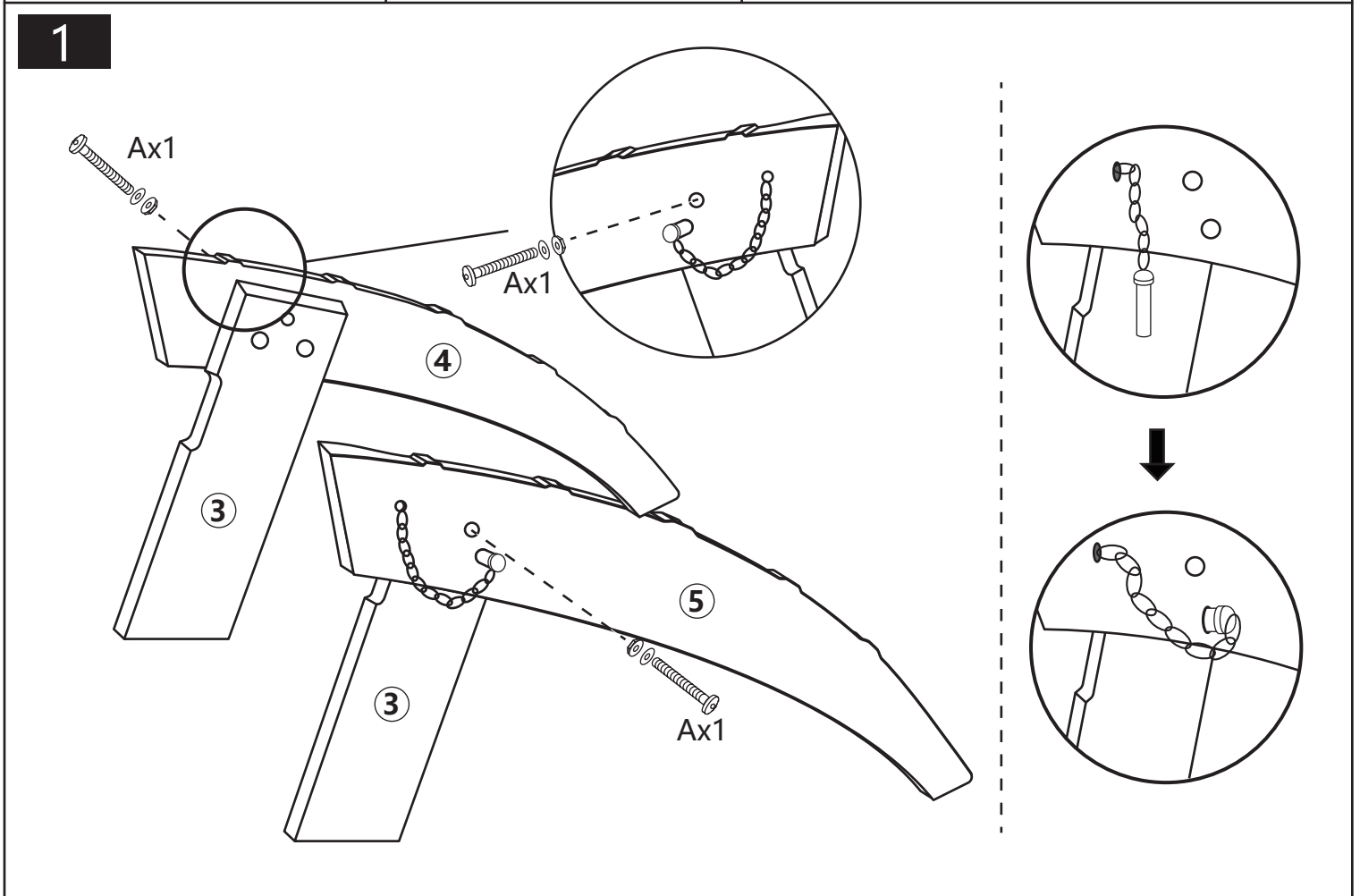
7



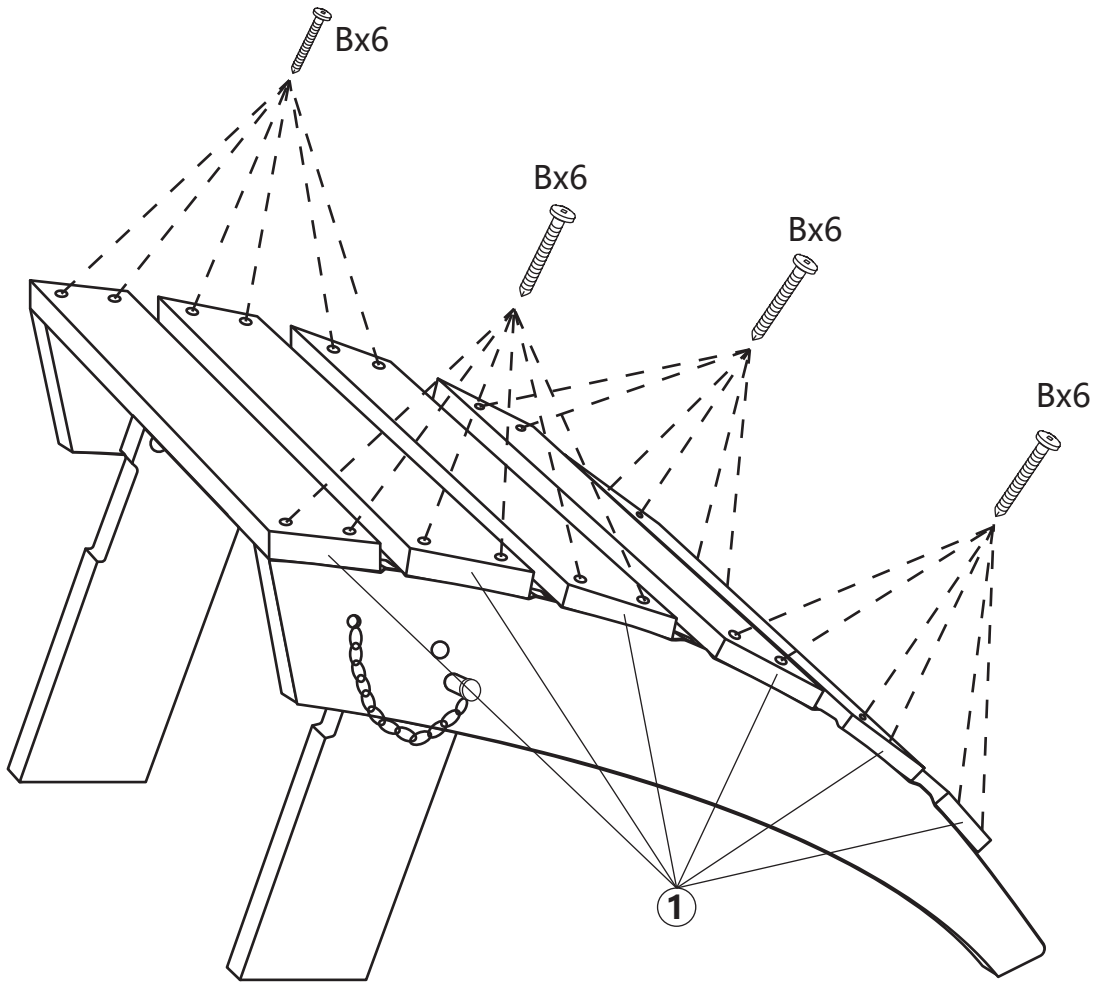


PEDAL PRODUCT LIST AND INSTALLATION STEPS

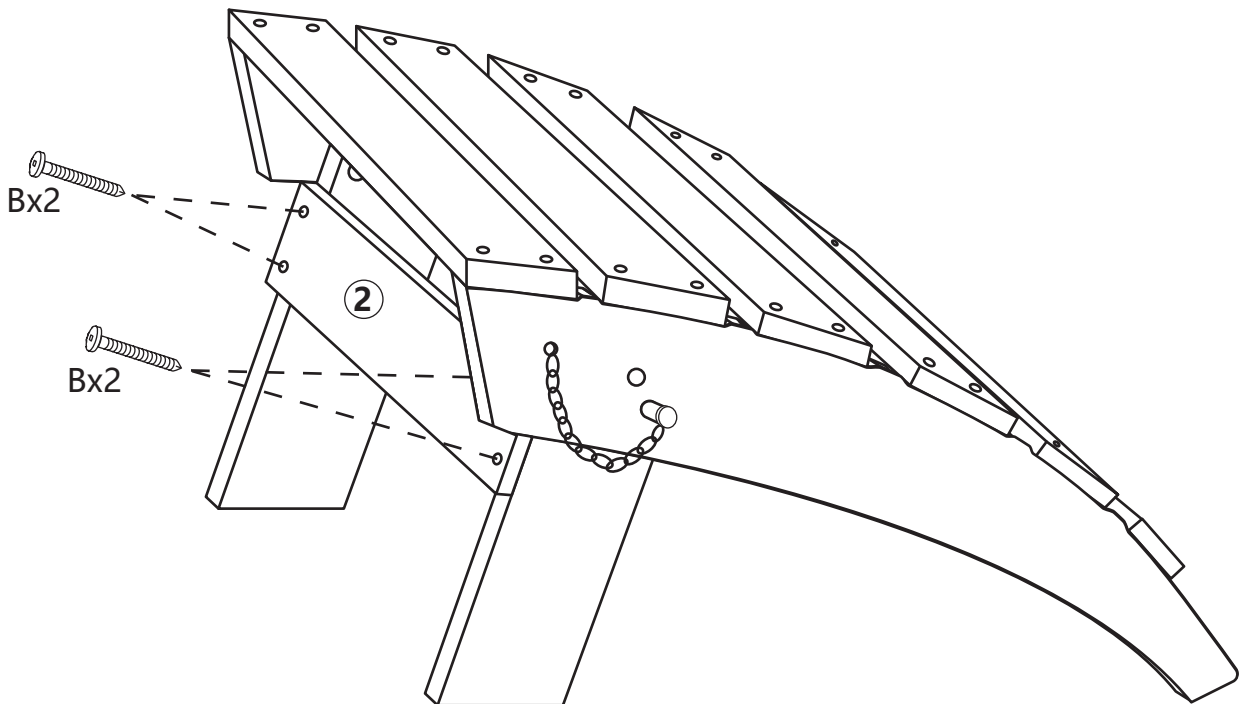
<p>① x6</p> 	<p>④ x1</p> 	<p>⑤ x1</p> 
<p>② x1</p> 		
<p>③ x2</p> 		
<p>Ax2</p>  <p>M6x45mm</p>	<p>Bx28</p>  <p>M4x35mm</p>	 



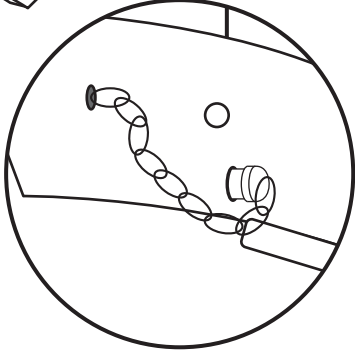
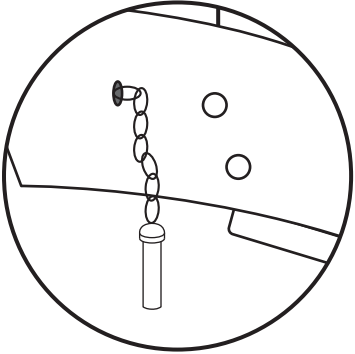
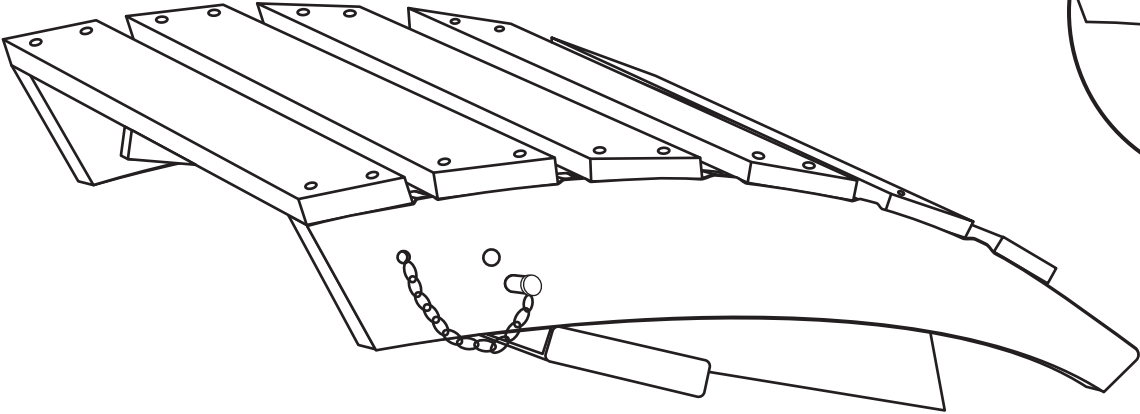
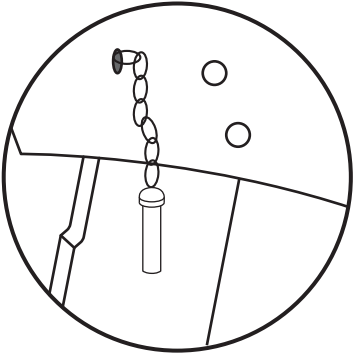
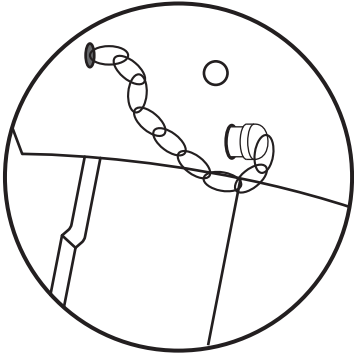
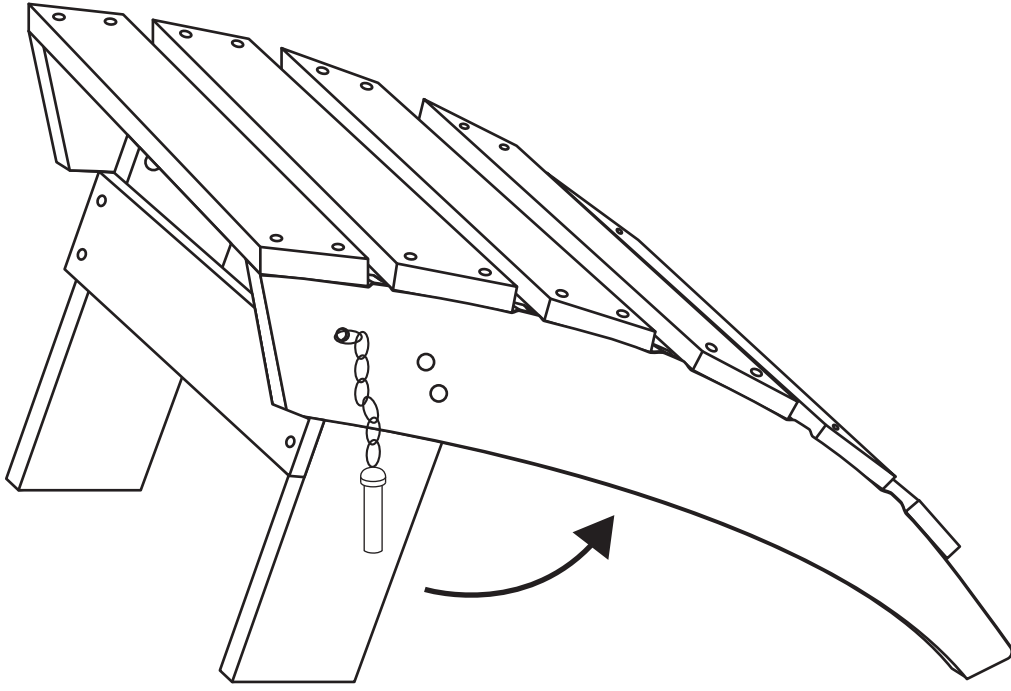
2



3



4



PRODUCT PORTFOLIO RENDERINGS

