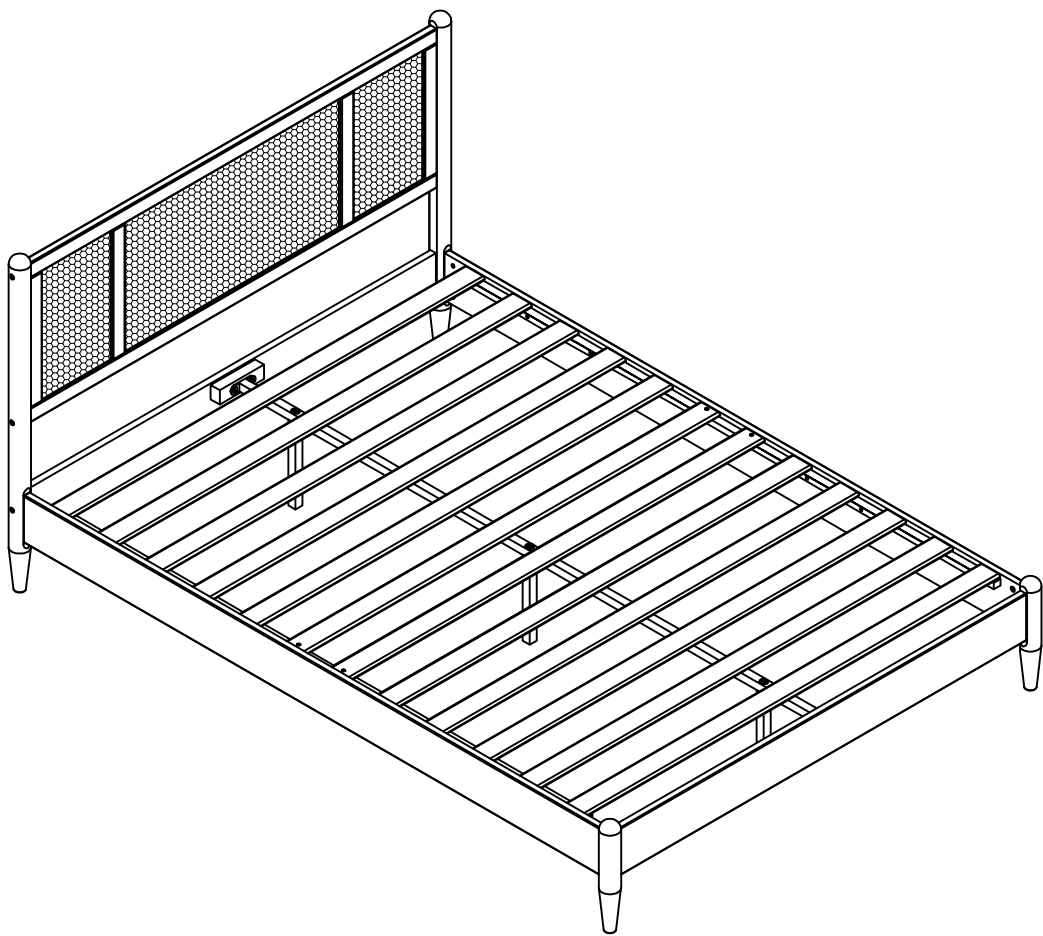
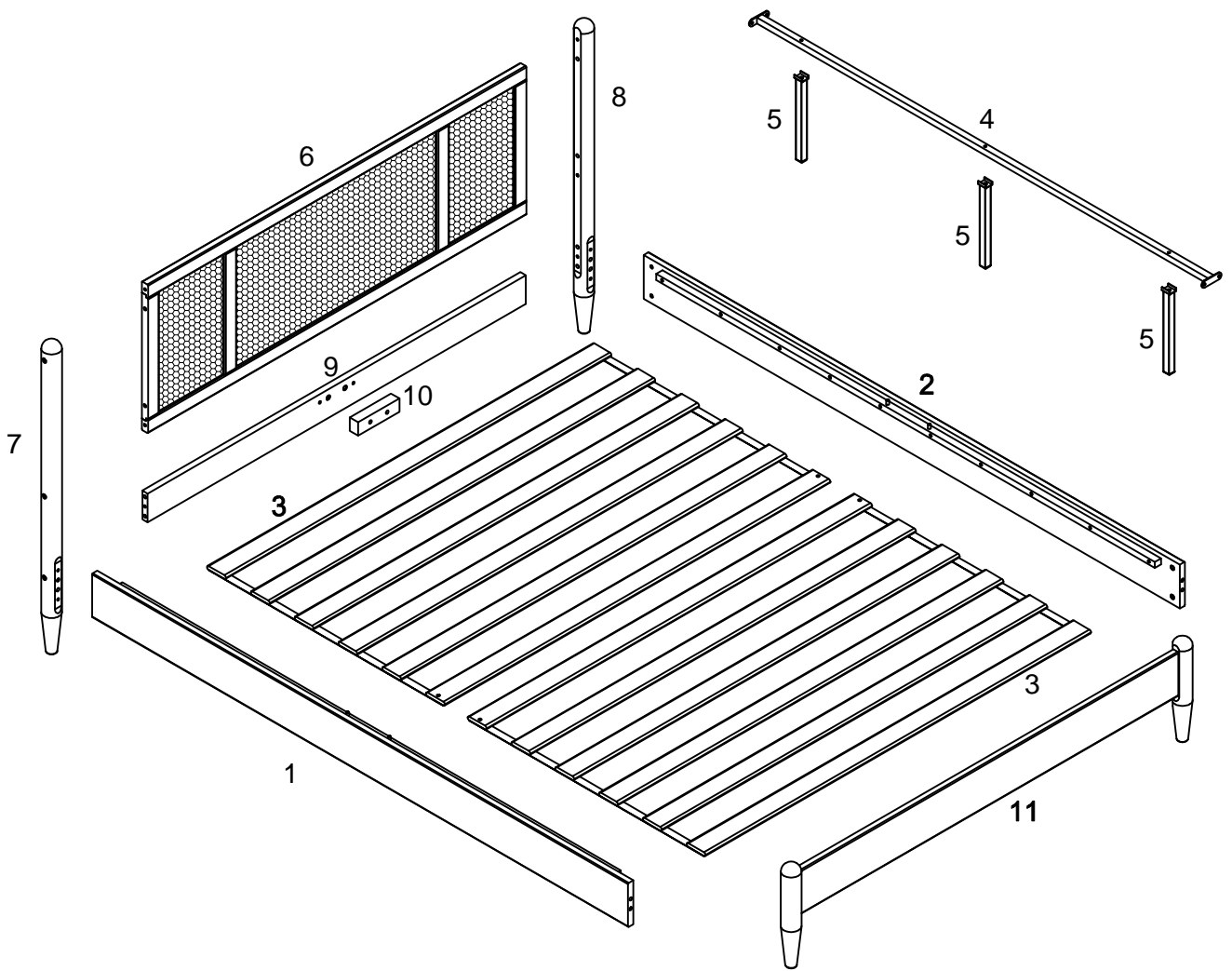


# INSTRUCTION

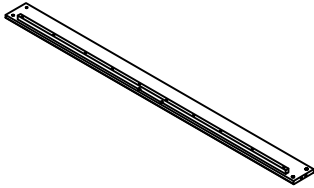
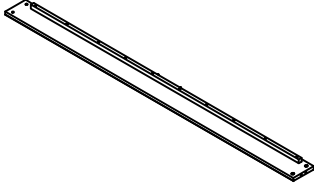
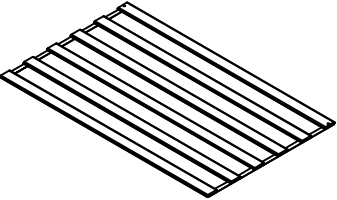
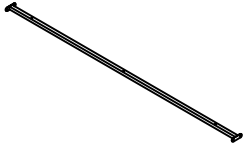
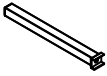
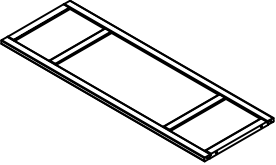
## Platform Bed

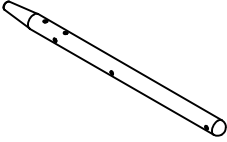
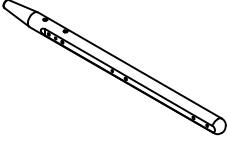
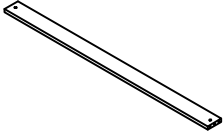

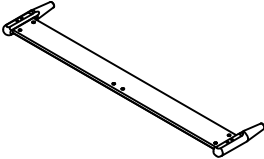
Caution: Read owner's manual completely before assembly and use.




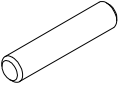


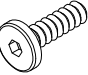

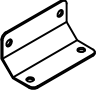
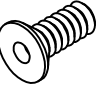

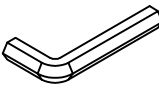
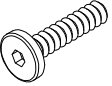


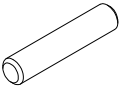

Parts :

	PARTS	Q'TY
1		01
2		01
3		02
4		01
5		03
6		01

	PARTS	Q'TY
7		01
8		01
9		01
10		01
11		01

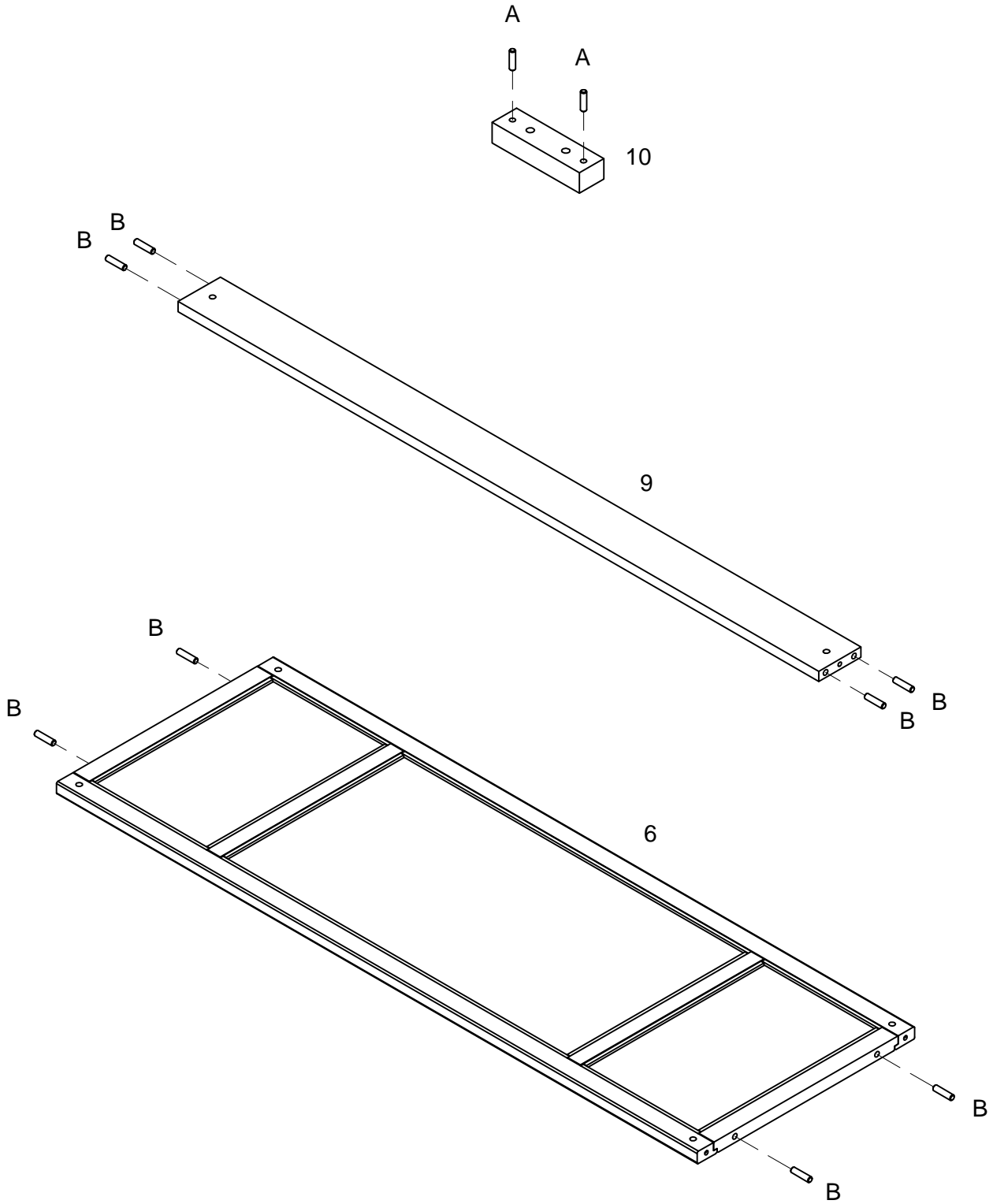
Hardware:

	HARDWARE	Q'TY
A	 ø8×25	02
B	 ø10×40	16
C		10
D		10
E	 ø8×20	02
F		07
G		02
H		08
I		01
J		01
K	 ø8×40	05

	SPARE HARDWARE	Q'TY
B	 ø10×40	02
D		02

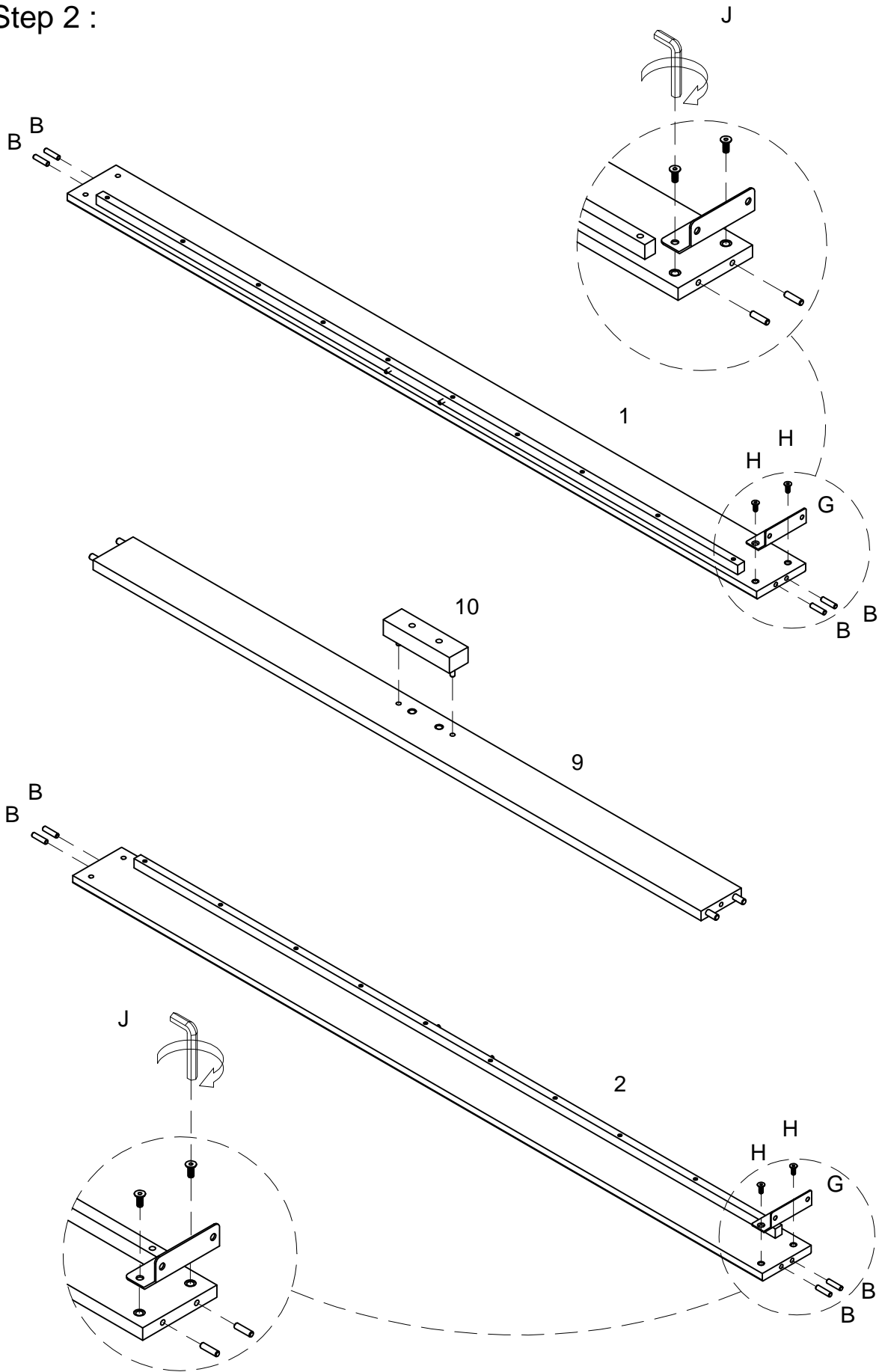
# Step By Step Assembly Instructions

Step 1 :



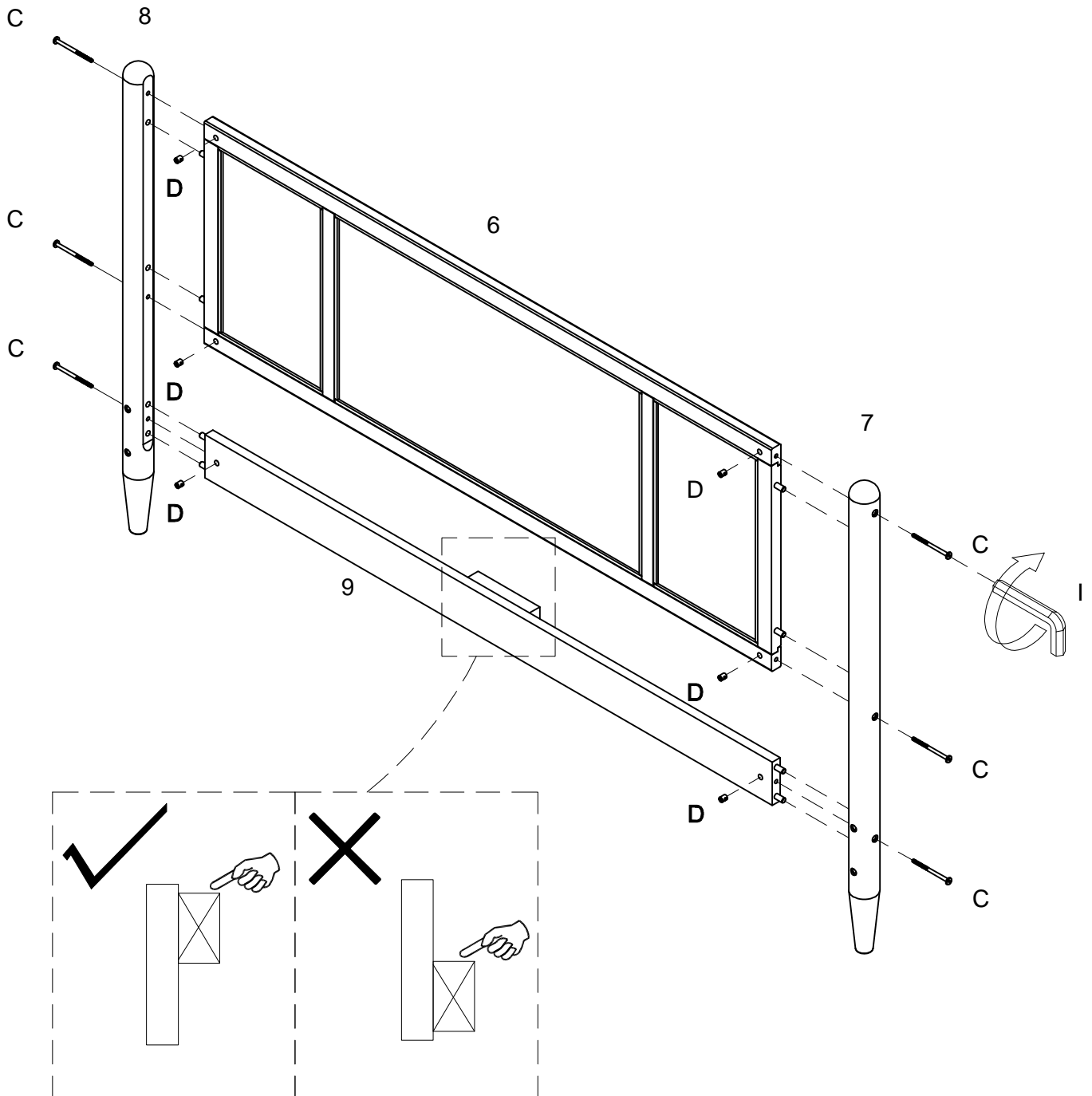
# Step By Step Assembly Instructions

Step 2 :



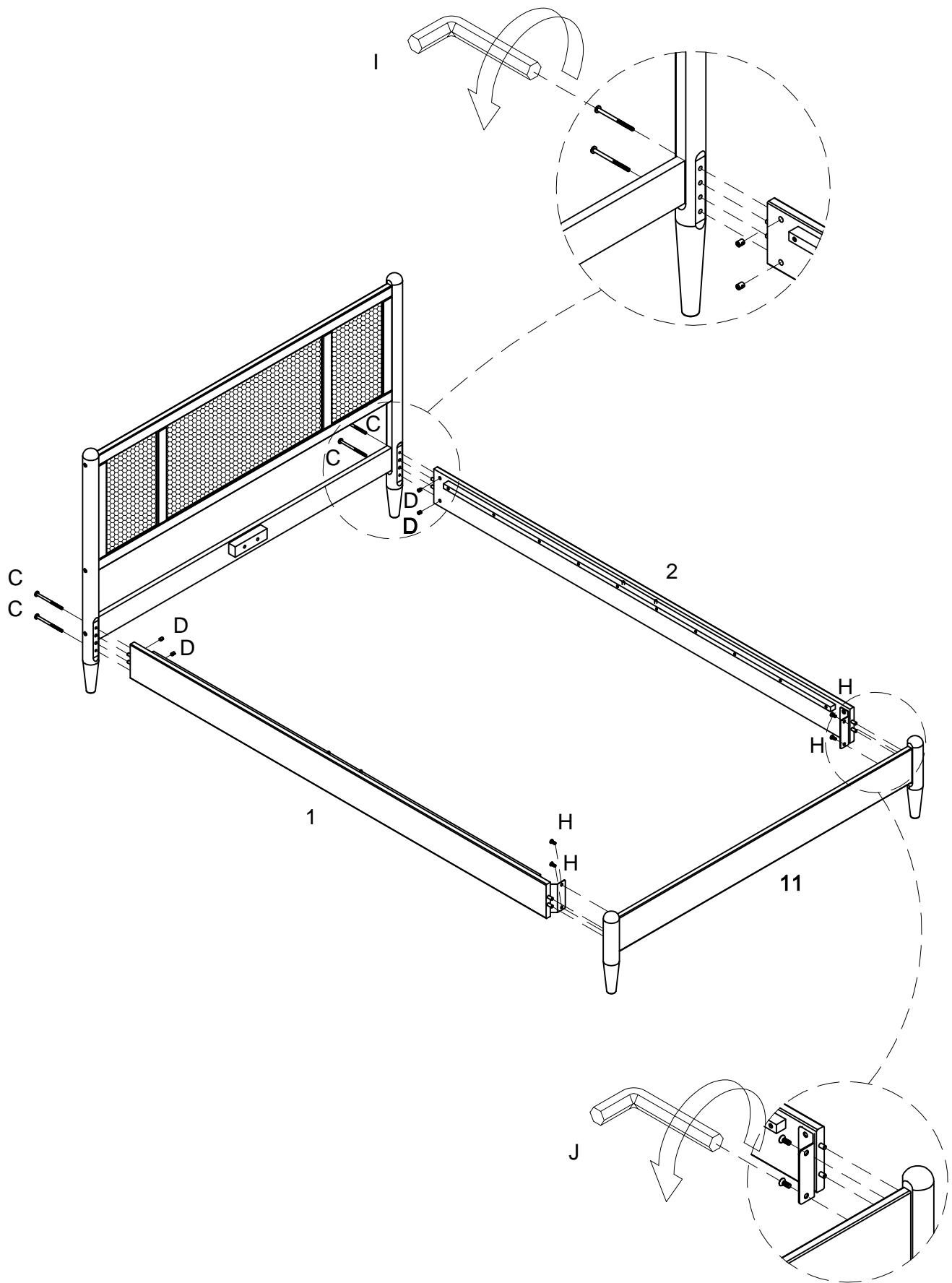
# Step By Step Assembly Instructions

Step 3 :



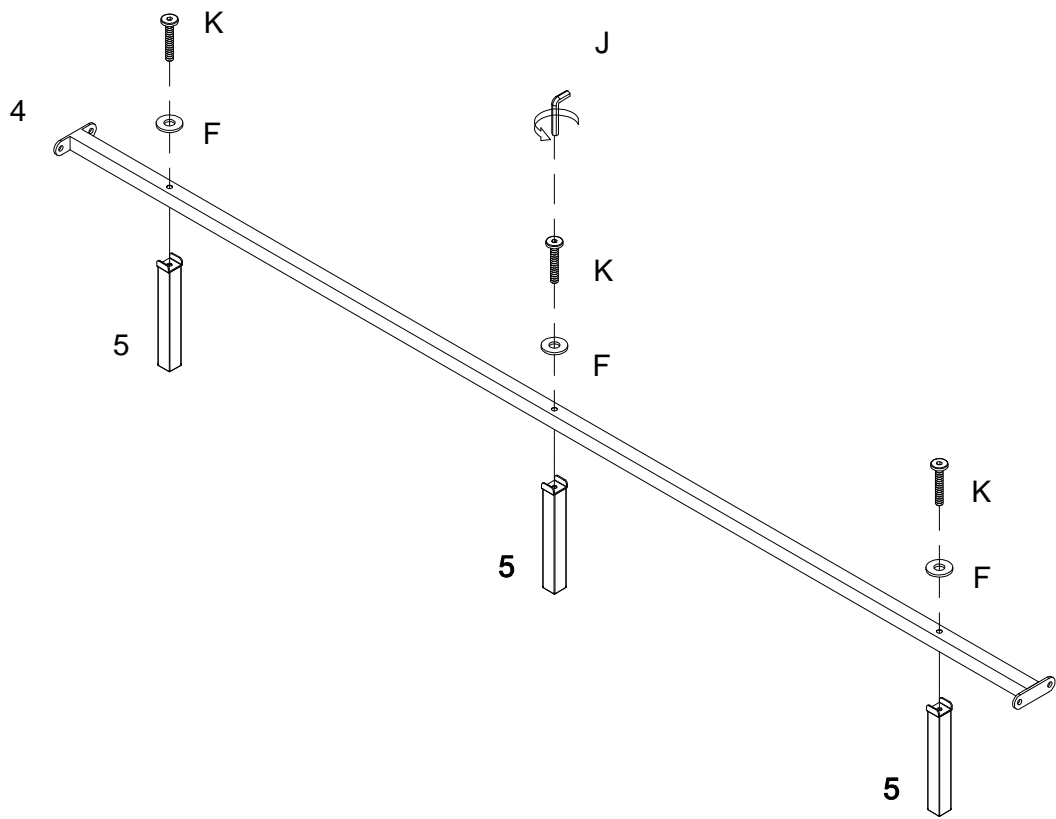
# Step By Step Assembly Instructions

Step 4 :



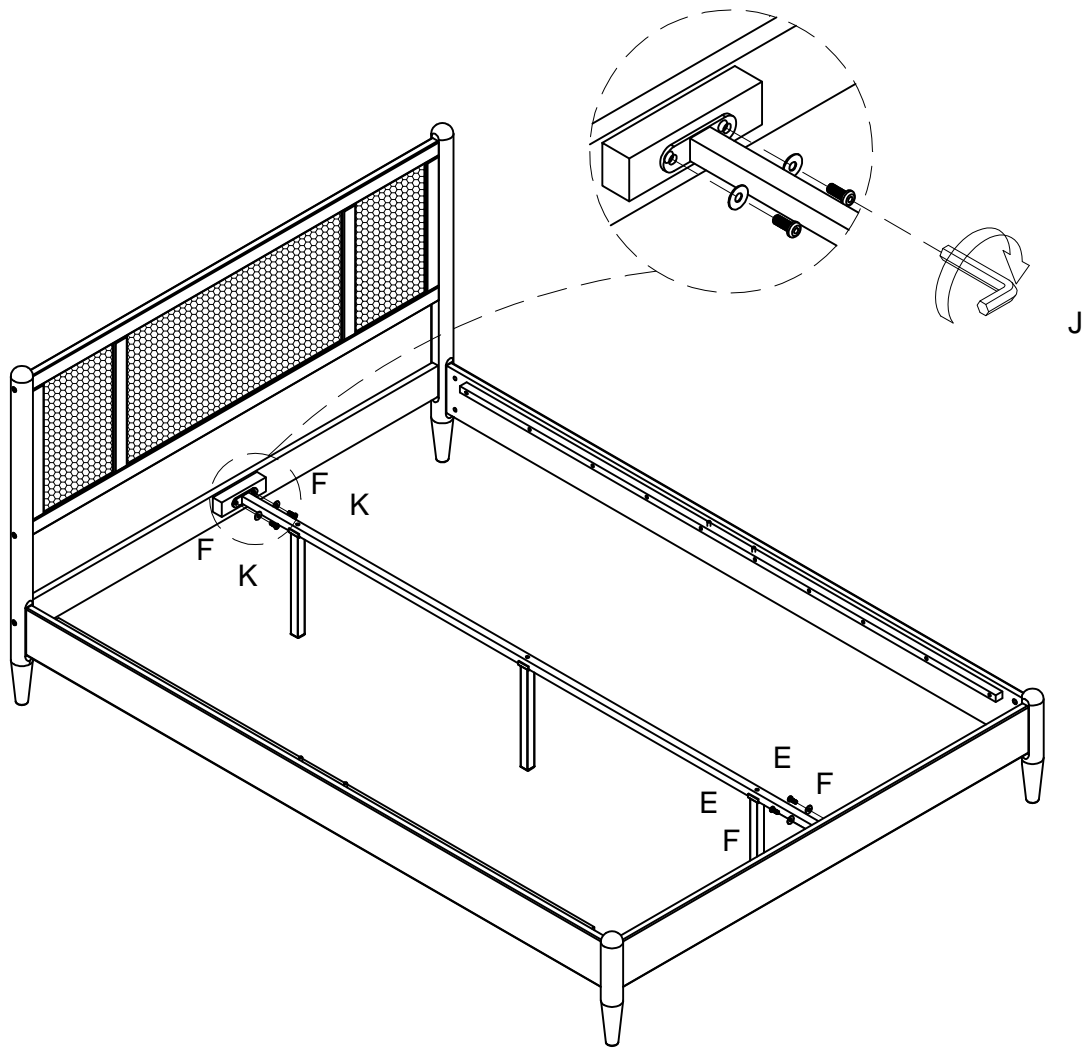
# Step By Step Assembly Instructions

Step 5 :



# Step By Step Assembly Instructions

Step 6 :



## Step By Step Assembly Instructions

Step 7 :

