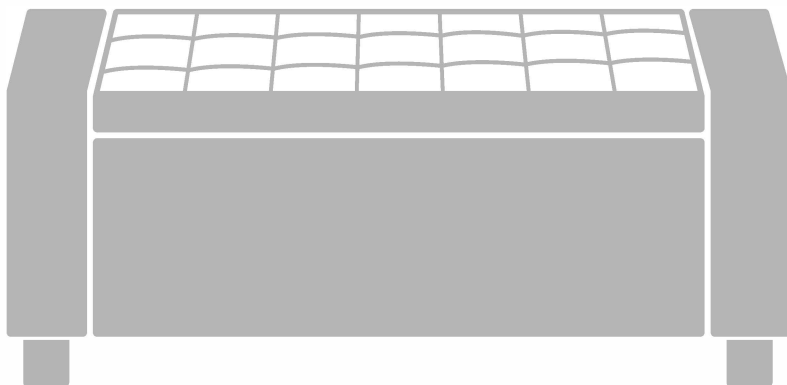
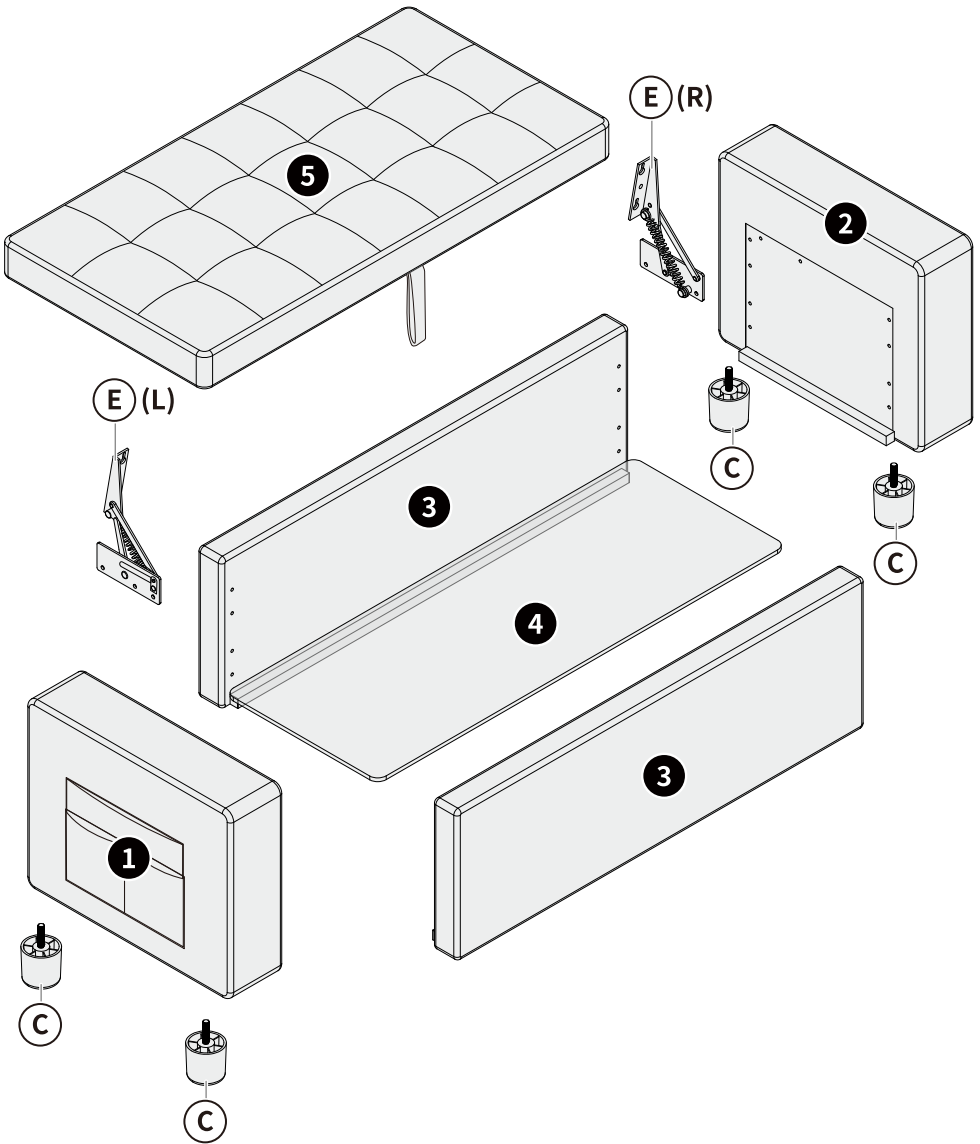
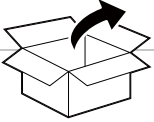
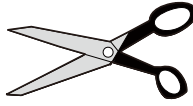
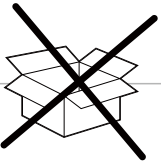


Installation & Assembly

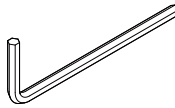






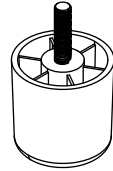
1/4" x 20mm

(A) x 40

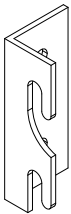


5/32" (4mm)

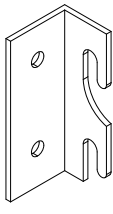
(B) x 1



(C) x 4

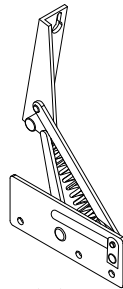


(L) x 4

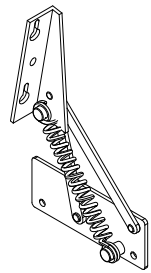


(R) x 4

(D) x 4



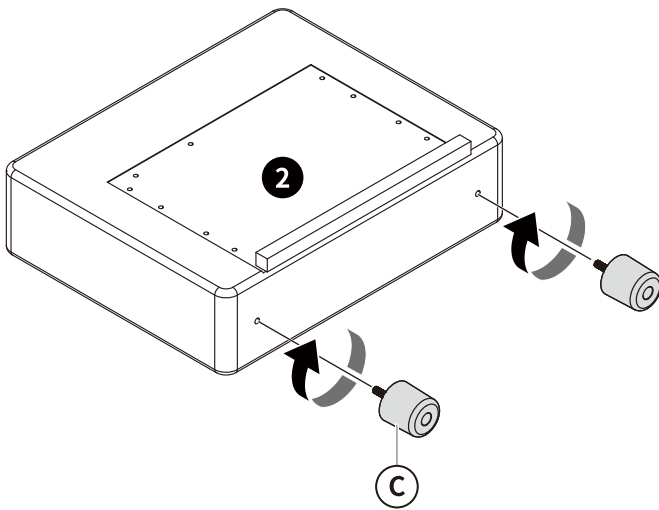
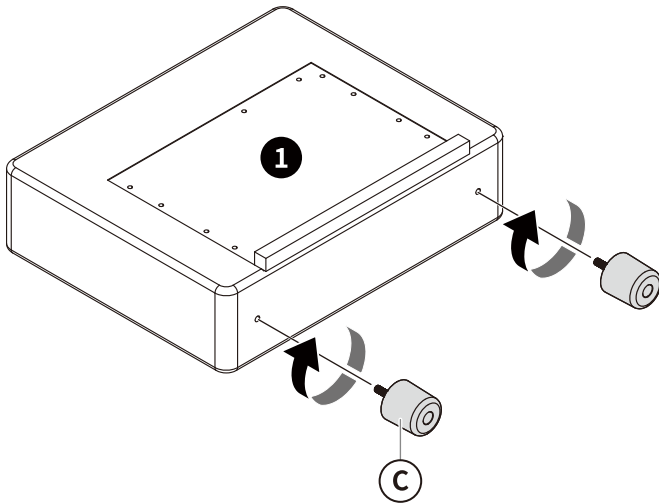
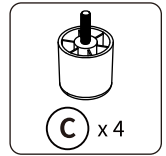
(L) x 1



(R) x 1

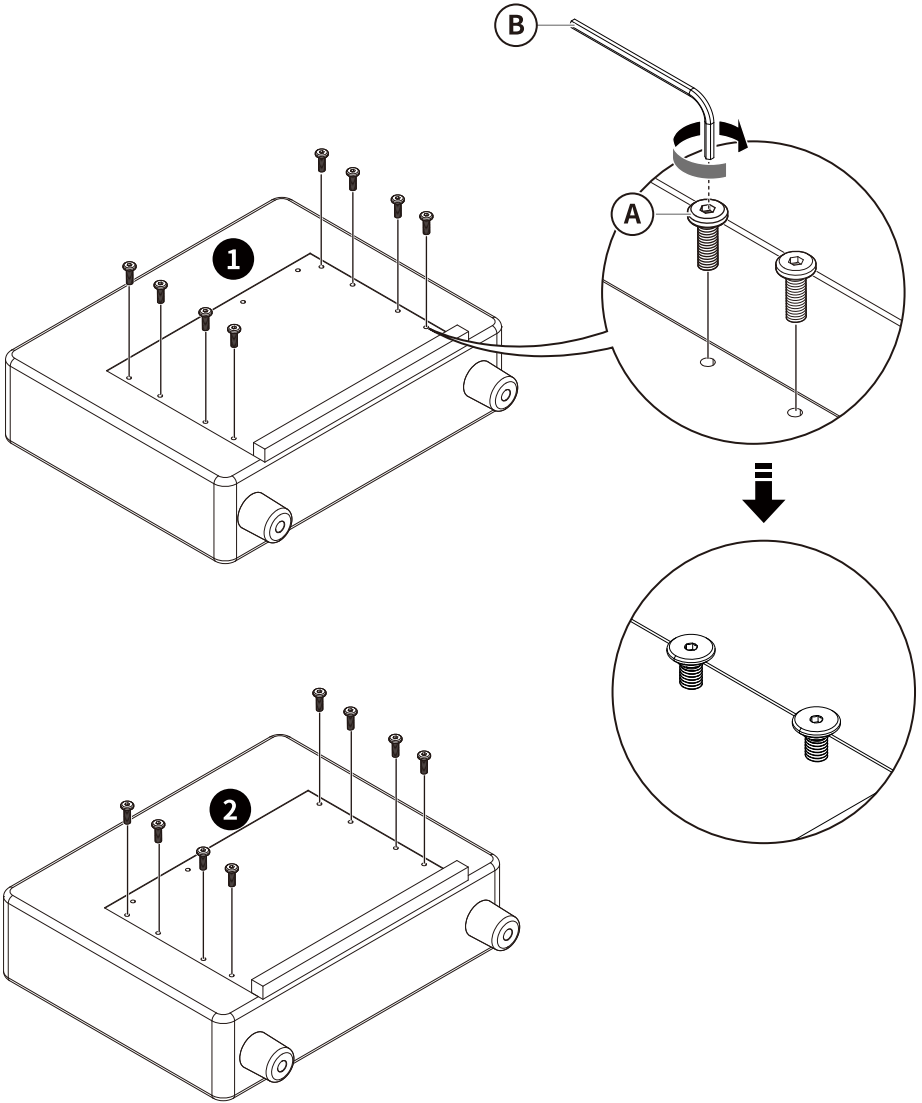
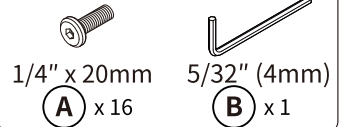
(E) x 1

1



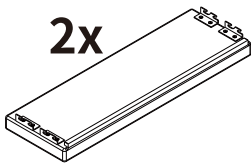
2

Note: Allow the bolt head to protrude 3/16" (5mm).



3

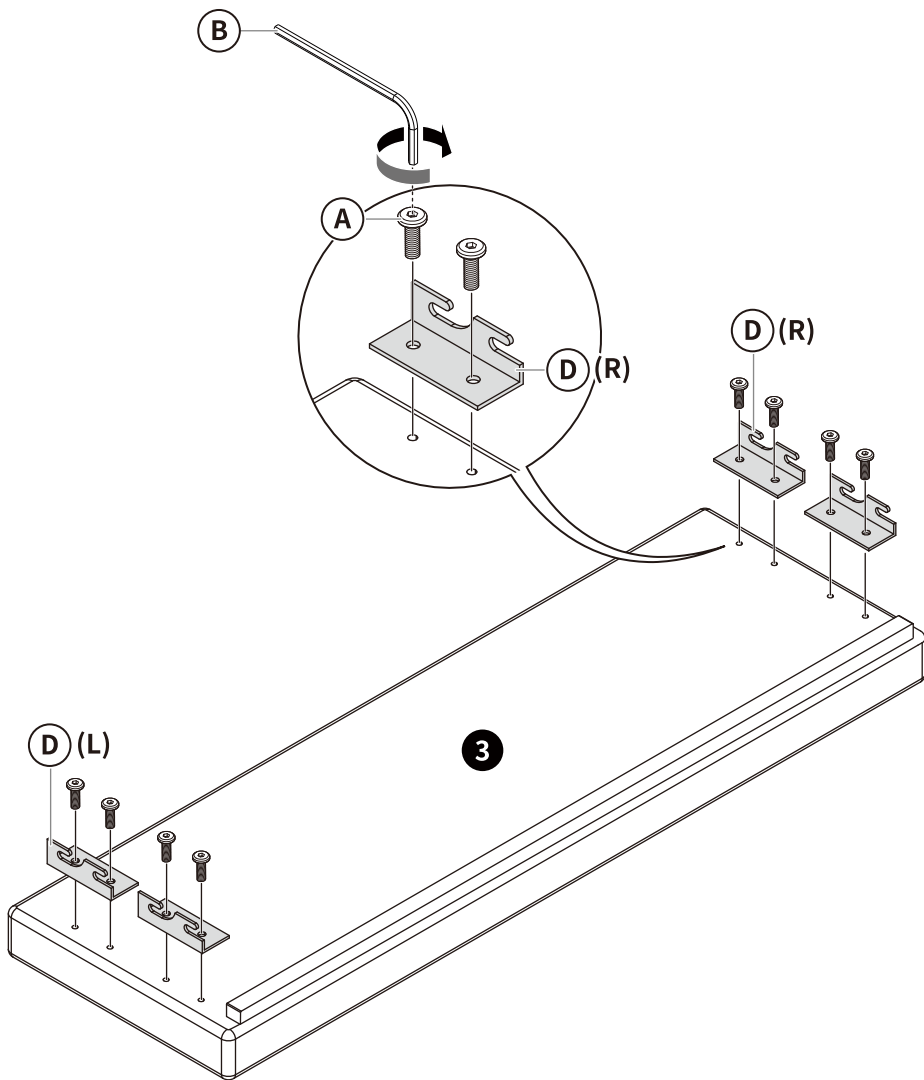
2x



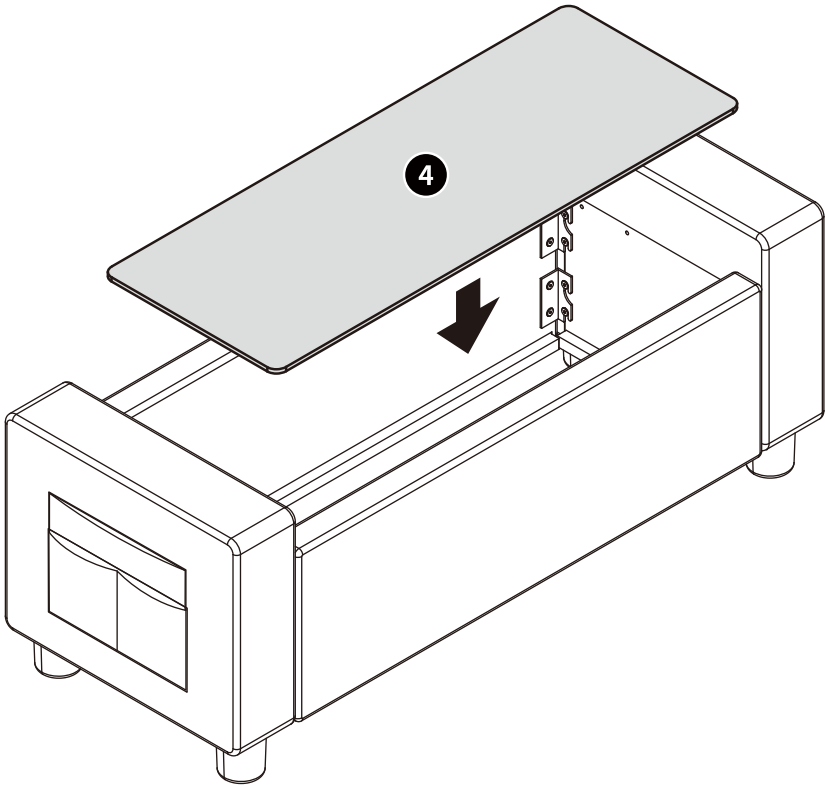
1/4" x 20mm **A** x 16

5/32" (4mm) **B** x 1




D x 4

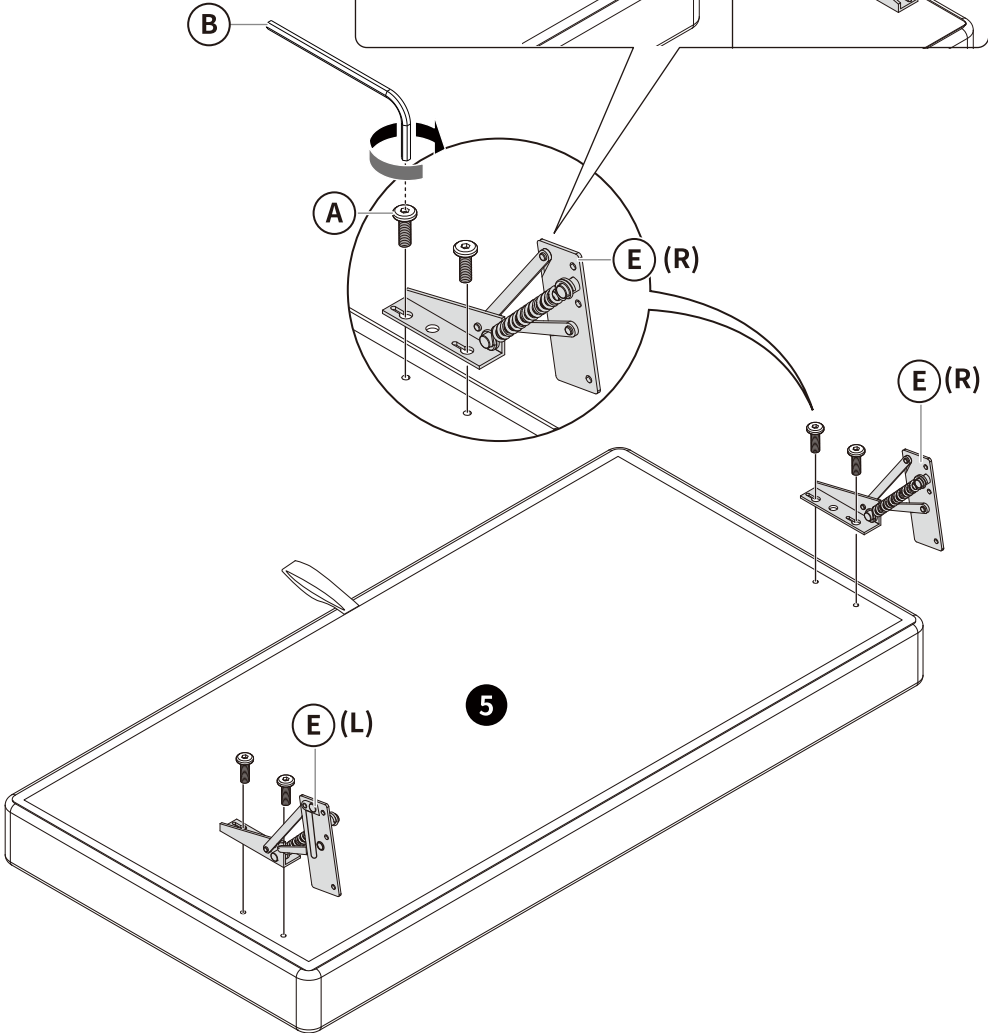
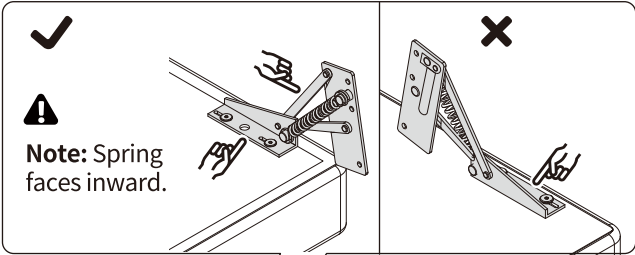


5



6

-  1/4" x 20mm **(A)** x 4
-  5/32" (4mm) **(B)** x 1
-  **(E)** x 1



8

