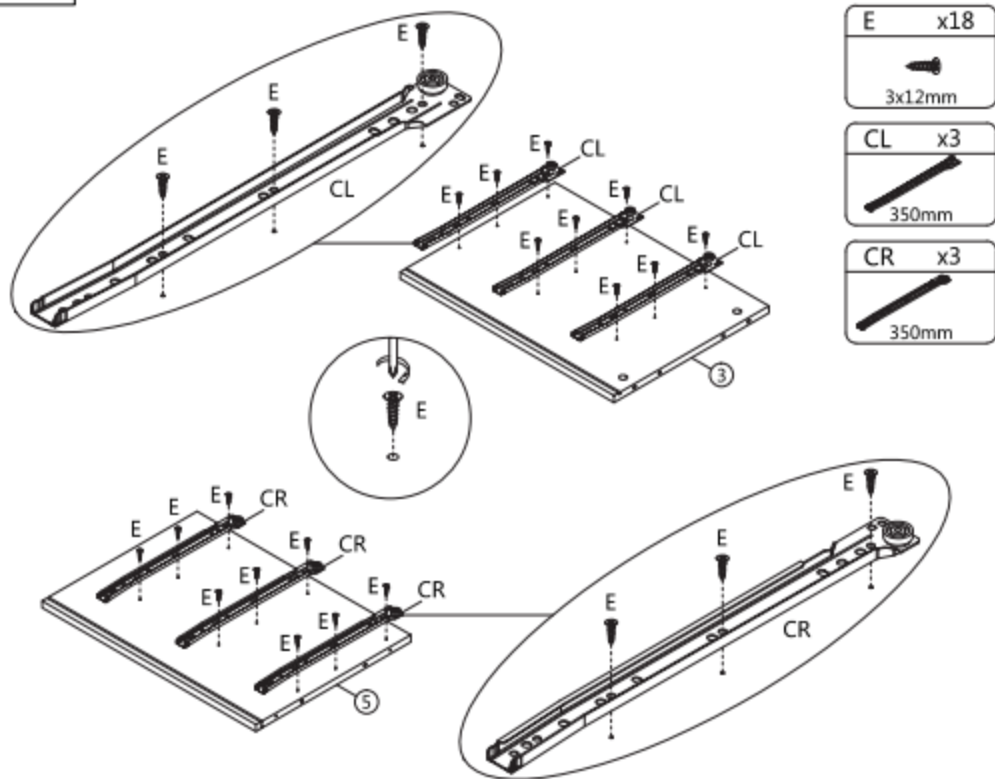
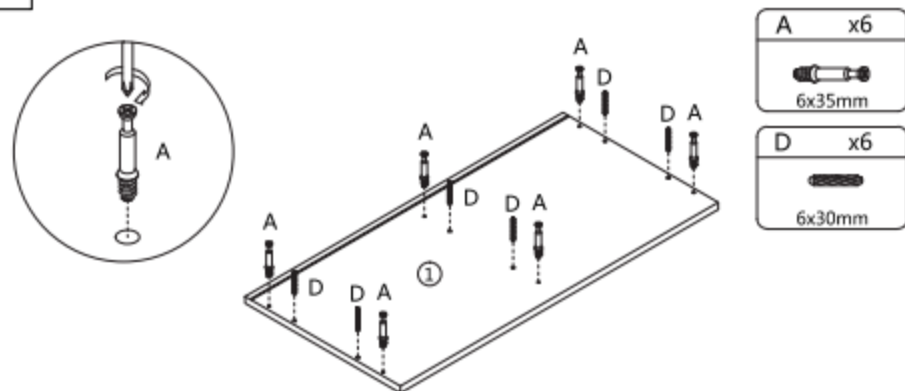


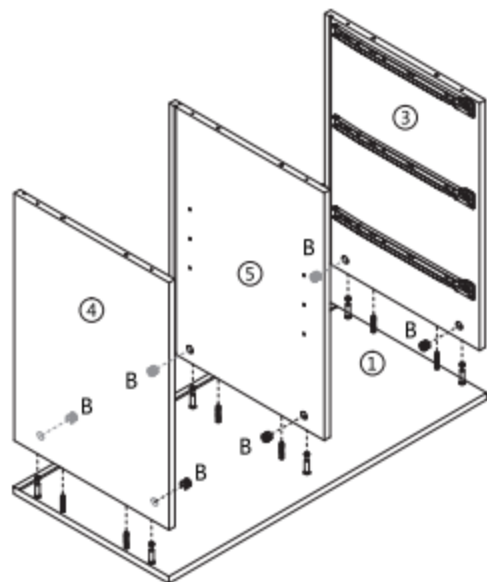
1



2



3

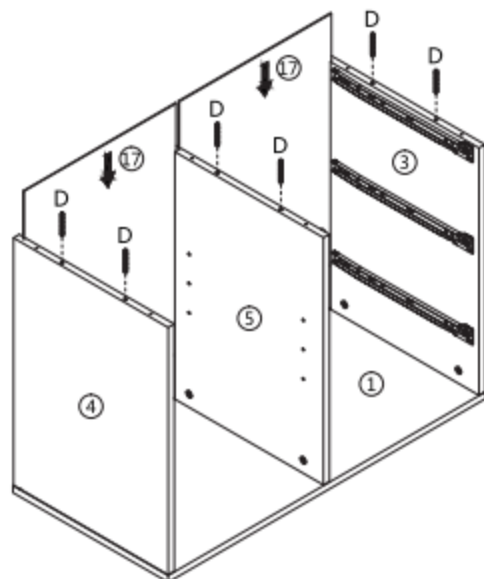


B x6



ø15x9mm

4

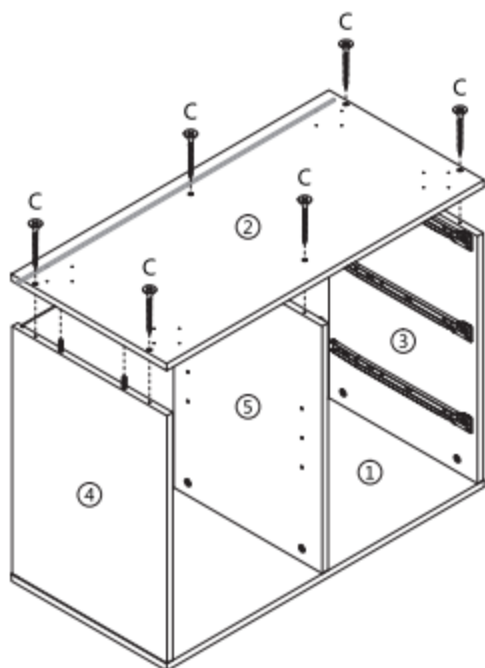


D x6



6x30mm

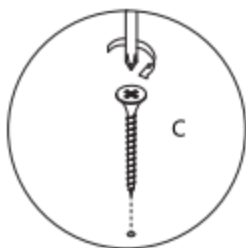
5



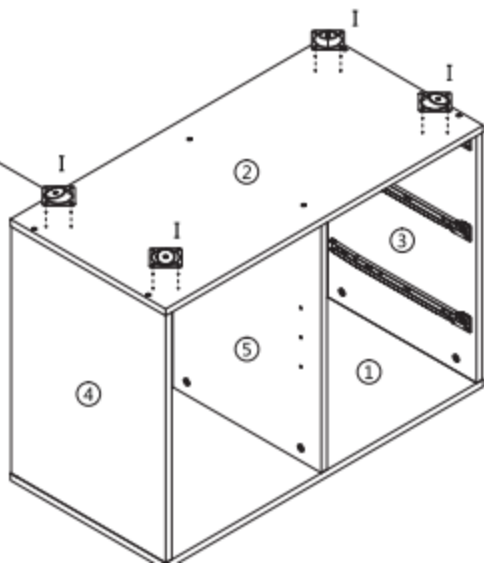
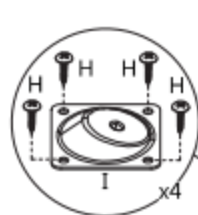
C x6



4x40mm



6



H x16

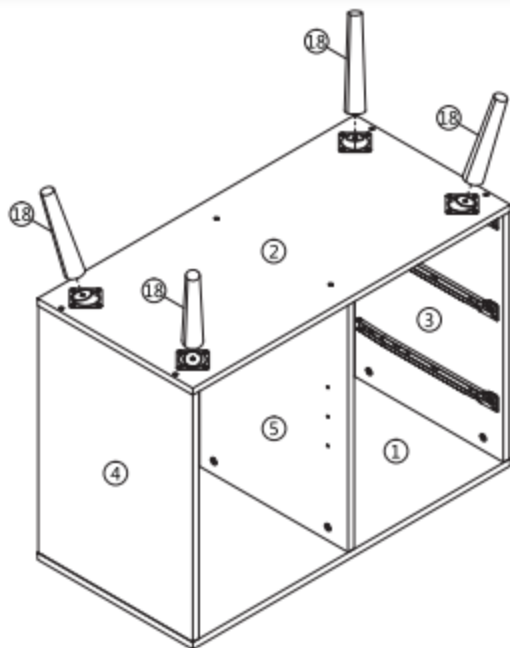


4x12mm

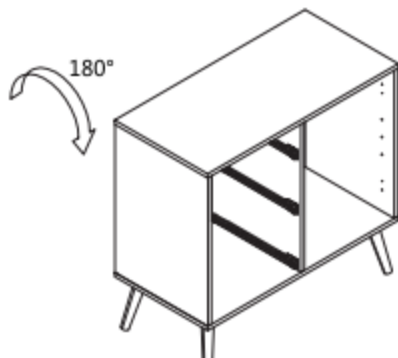
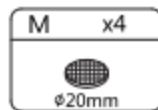
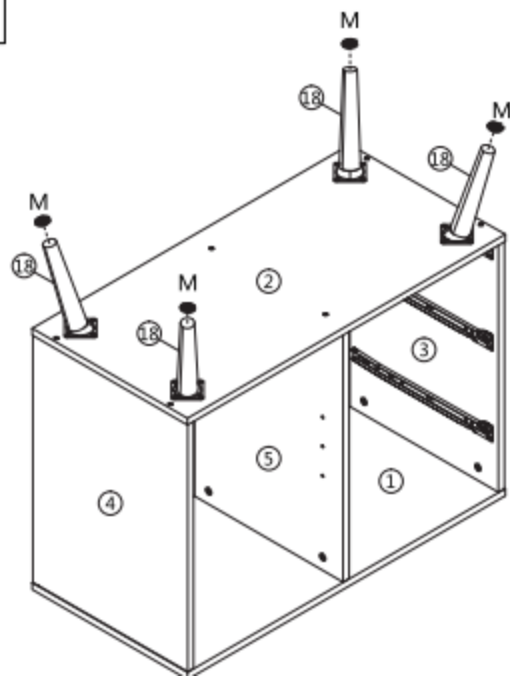
I x4



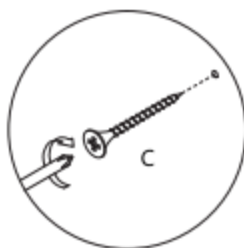
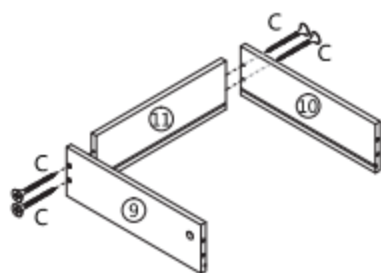
7



8



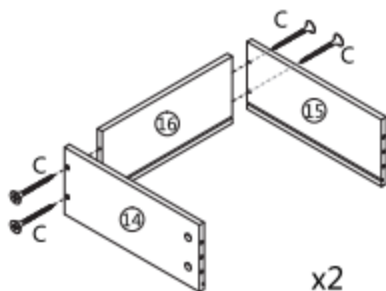
9



C x12

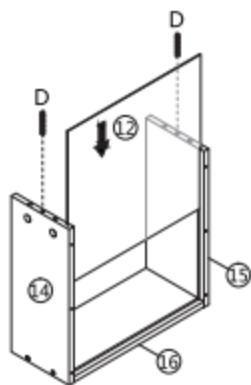
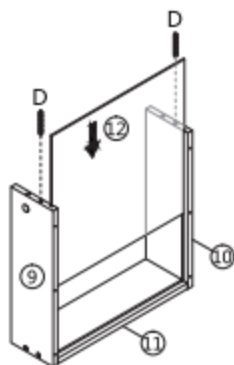


4x40mm



x2

10



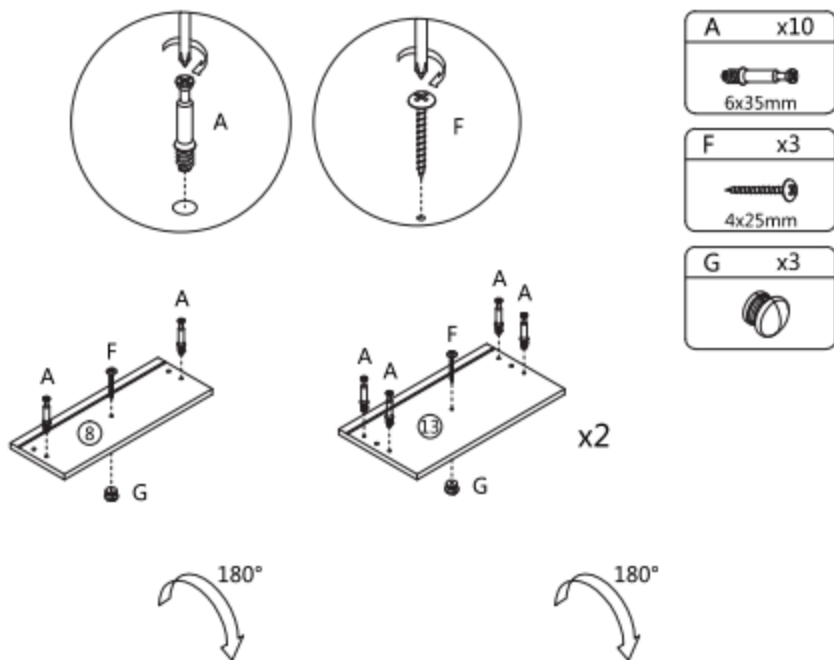
x2

D x6

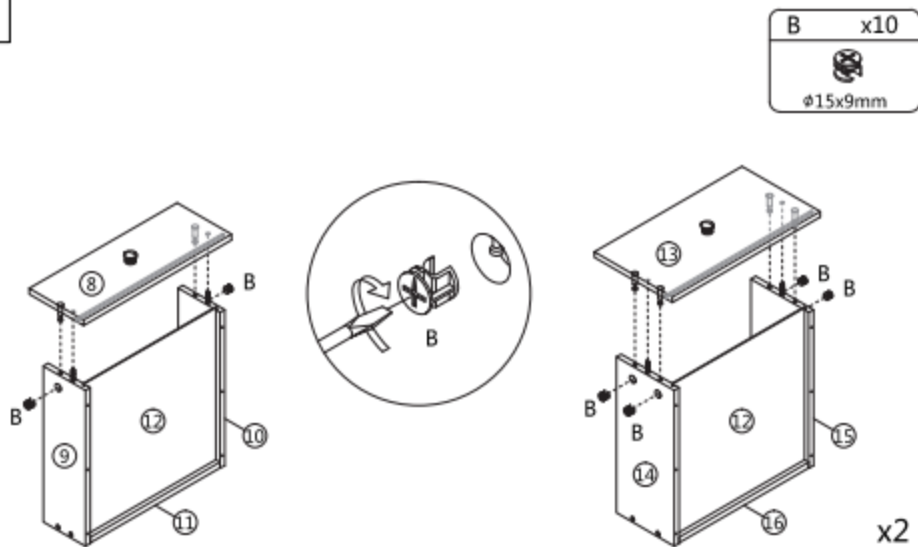


6x30mm

11



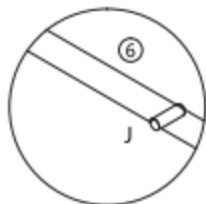
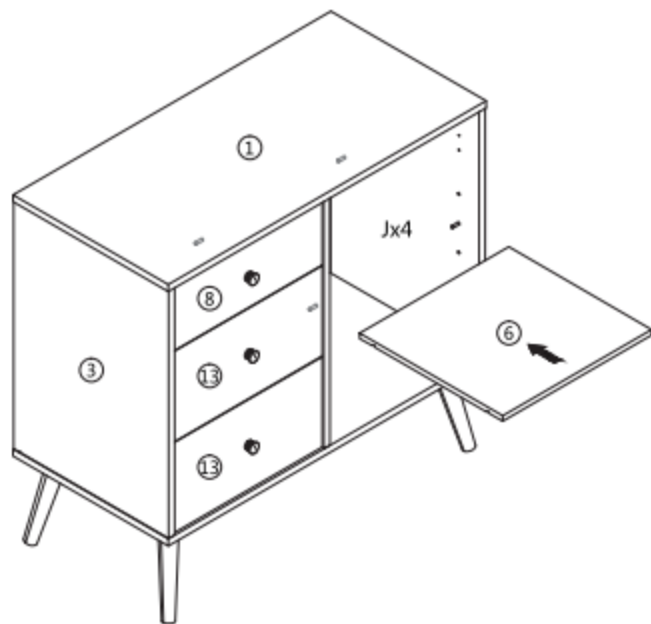
12





15

J x4



16

F x1



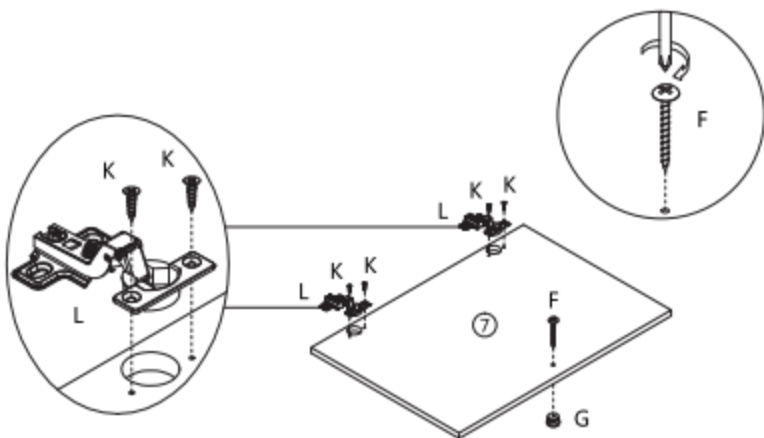
G x1

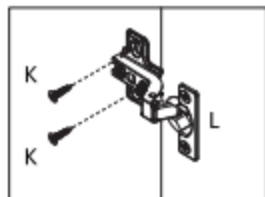
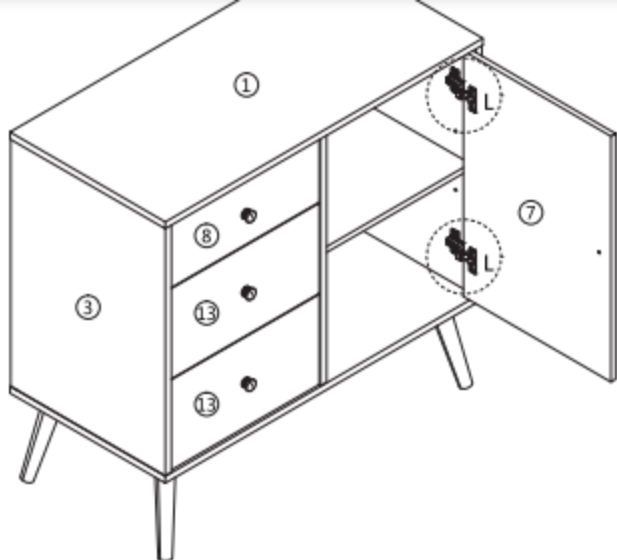


K x4

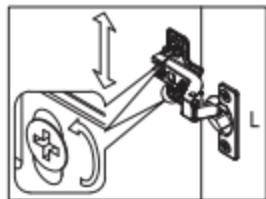


L x2

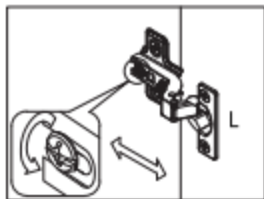




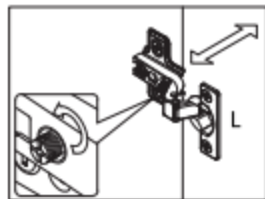
step1



step2



step3



If the door panel is not sitting at a right position or angle, follow the steps below to improve.

(1) Loosen the hinge, adjust the door panel position (up and down), then fasten the screws to secure the hinge (Step 1). or,

(2) Loosen the middle screw of the hinge and adjust the door panel in and out, to desired position, then fasten the screws to secure the hinge (Step 2), or

(3) Adjust the nut at the centre of the hinge to fine tune the tilting angle of the door panel (left or right) to make the door panel to be vertical.

