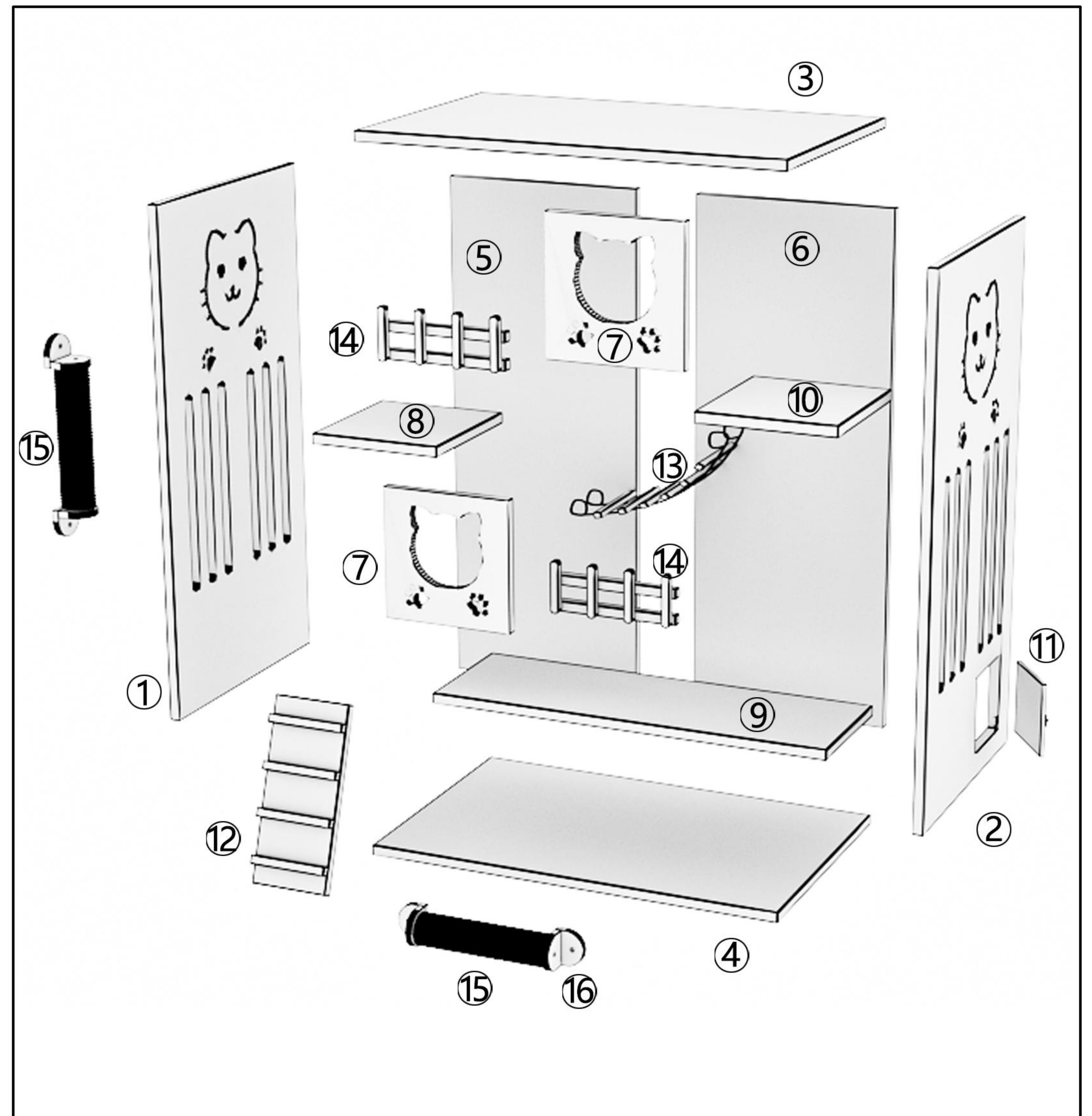


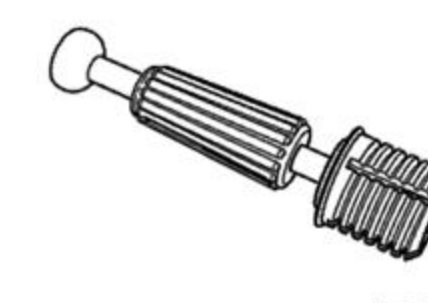

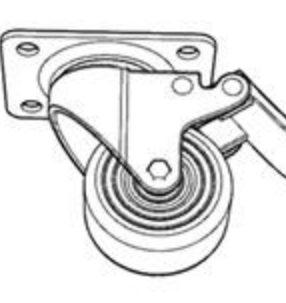
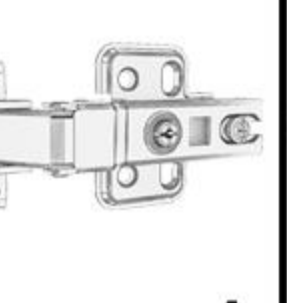


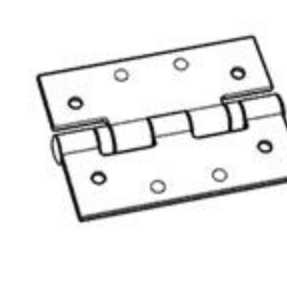
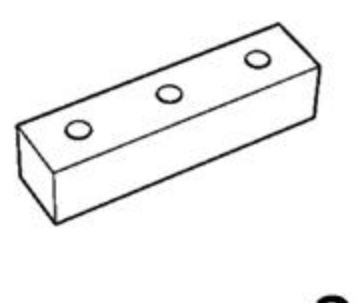
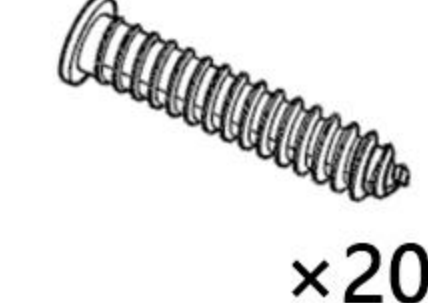


# ASSEMBLY INSTRUCTION

It would be best if you set aside and organize all pieces & corresponding {nuts/bolts} fist  
 Please follow the instructions to assemble the items correctly.  
 Could be assembled by one person, but would recommend two.  
 Please ensure the safety of the glass when assembling.  
 Do not make the screws too loose or too tight.  
 As shown in figure, insert the screw into the hole.  
 The arrow in the picture, Then rotate 90 or 180 clockwise.  
 The remaining parts are spare parts.

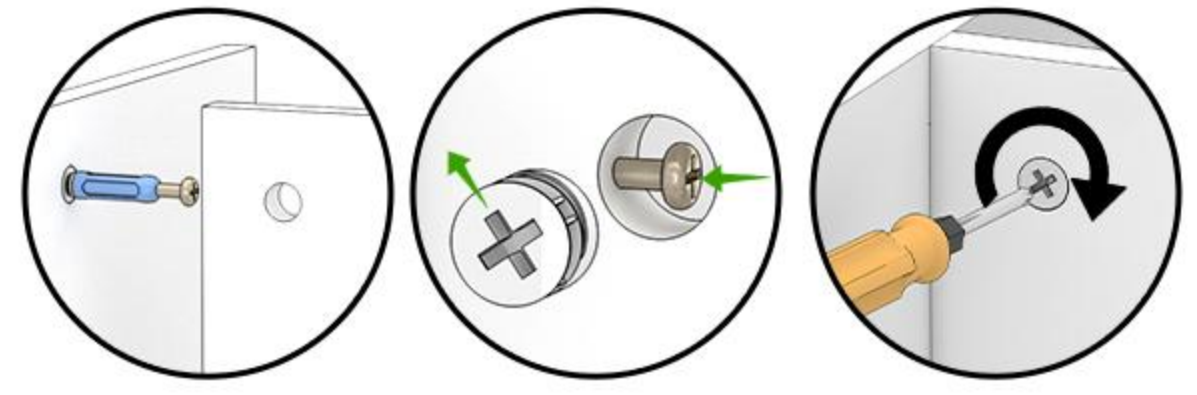
## SAFETY INFORMATION

The accessory bag contains some small accessories, which should be kept away from children.  
 Kids are not allowed to climb or play with product for safety reasons

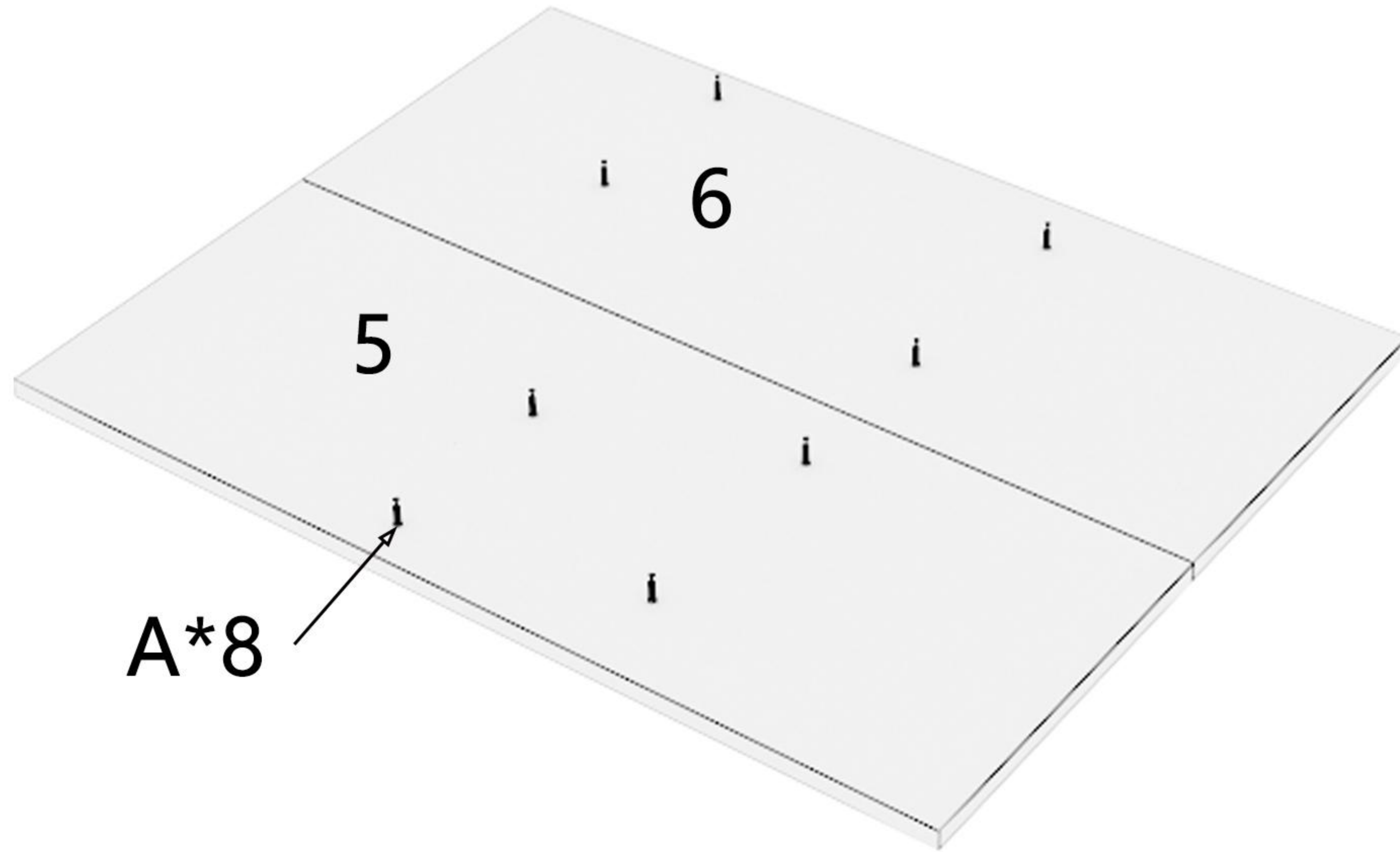
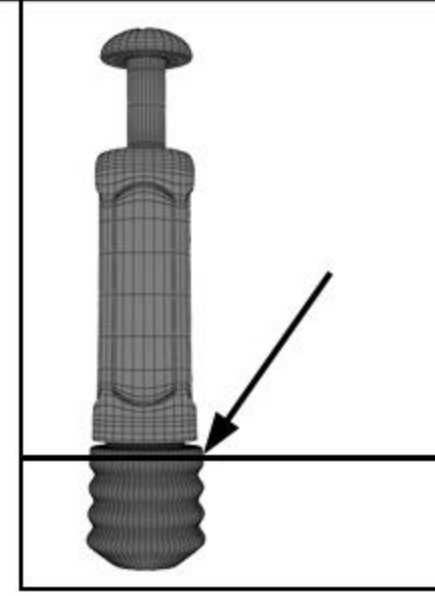


<p>A</p>  <p>x58</p>	<p>B</p>  <p>x58</p>	<p>C</p>  <p>x4</p>	<p>D</p>  <p>x4</p>	<p>E</p>  <p>x1</p>	<p>F</p>  <p>x1</p>	<p>G</p>  <p>x4</p>	<p>H</p>  <p>x2</p>
<p>J</p>  <p>x20</p>	<p>K</p>  <p>x20</p>	<p>L</p>  <p>x1</p>					

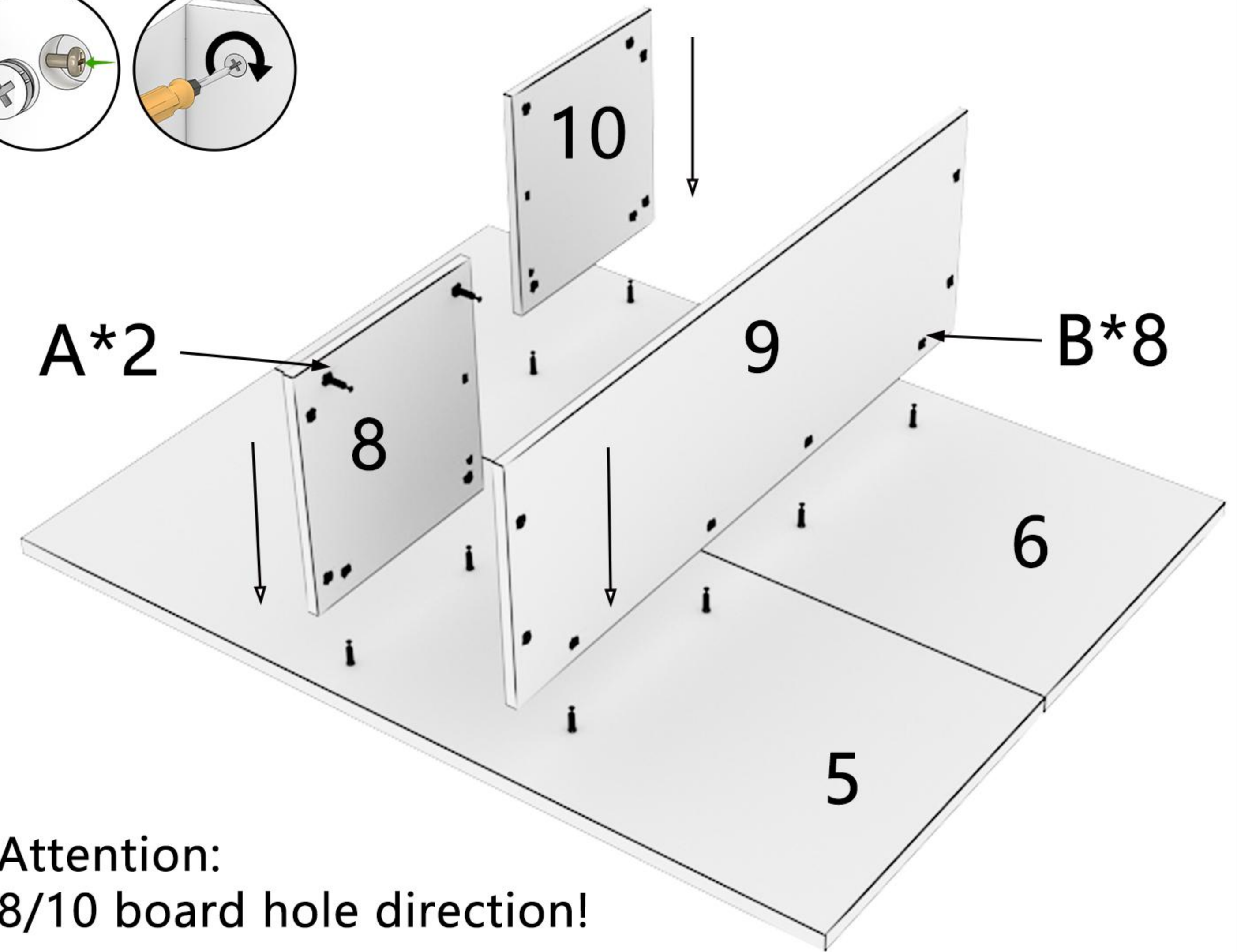
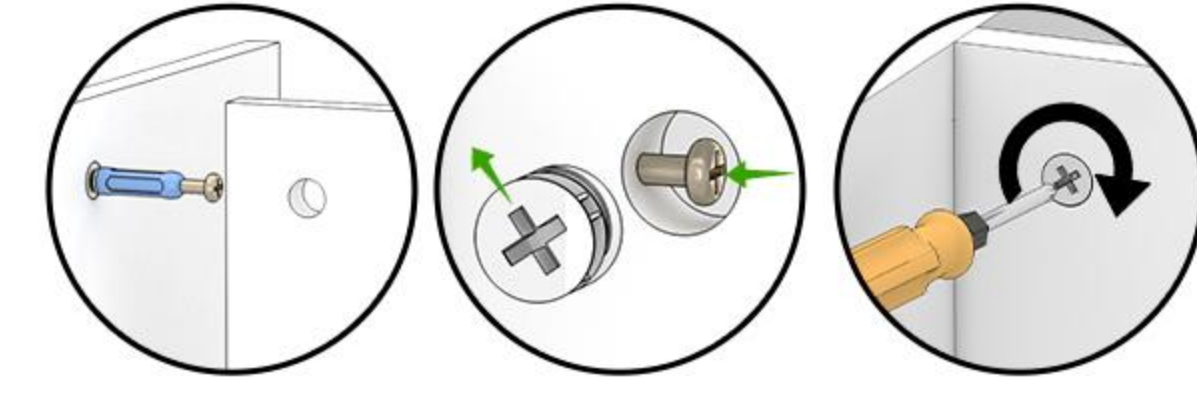
### STEP 1



Attention:  
There is no need to connect  
the two boards!

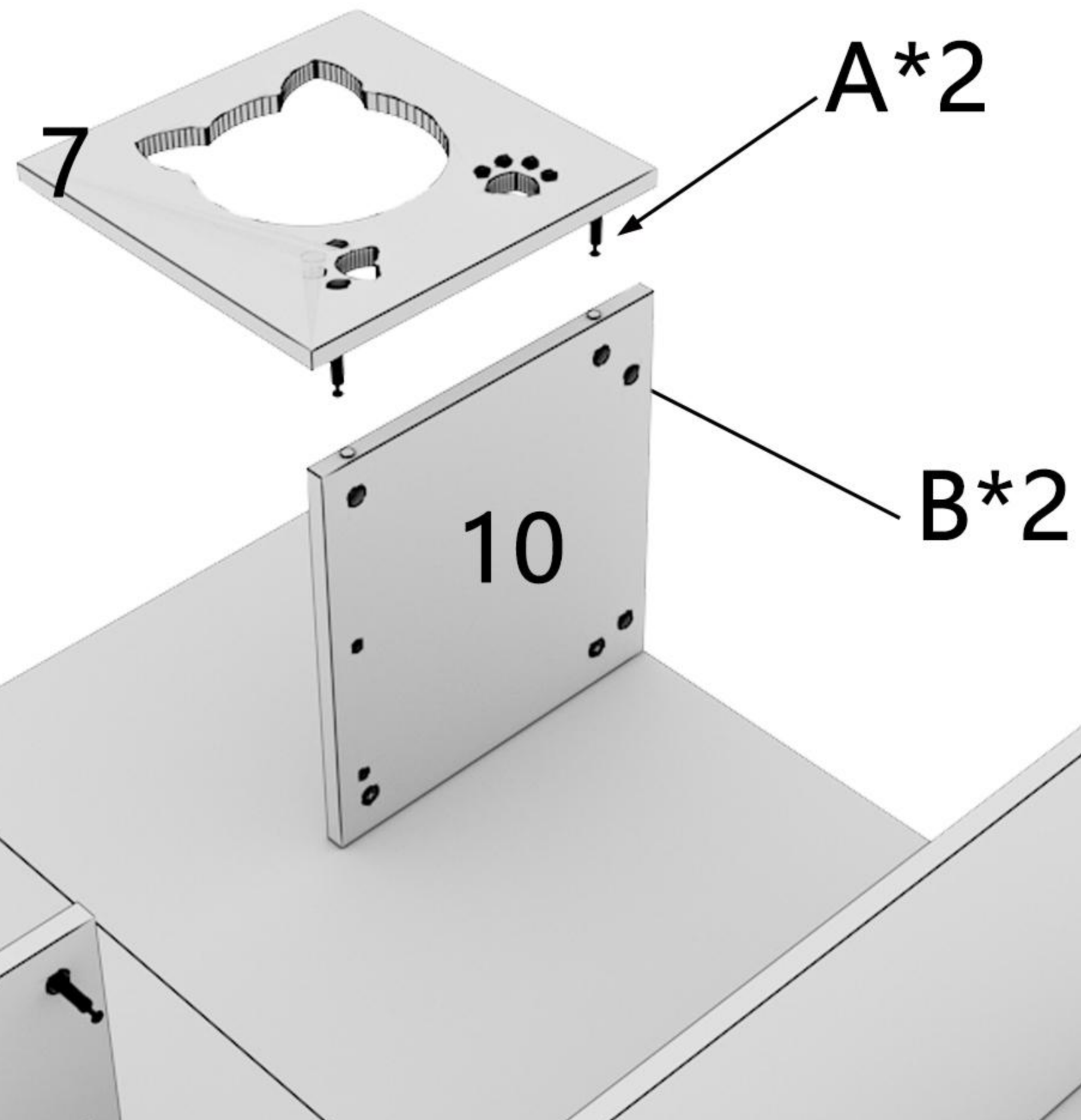
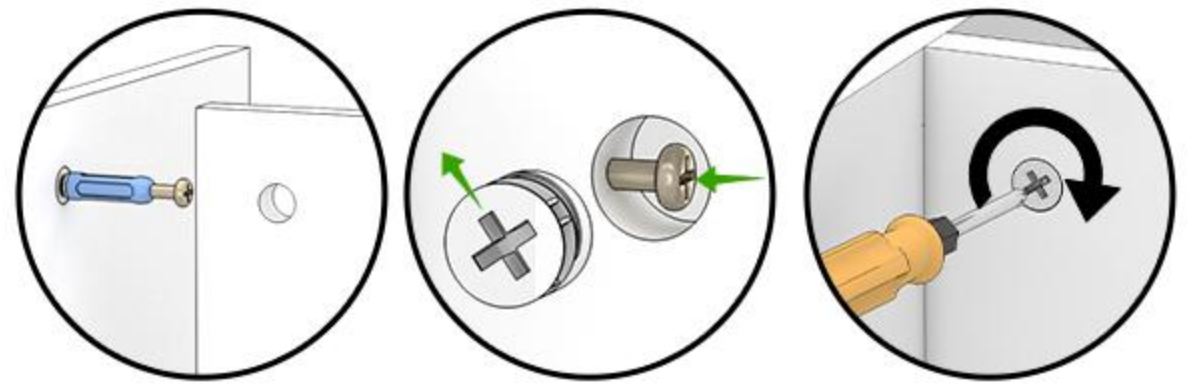


### STEP 2

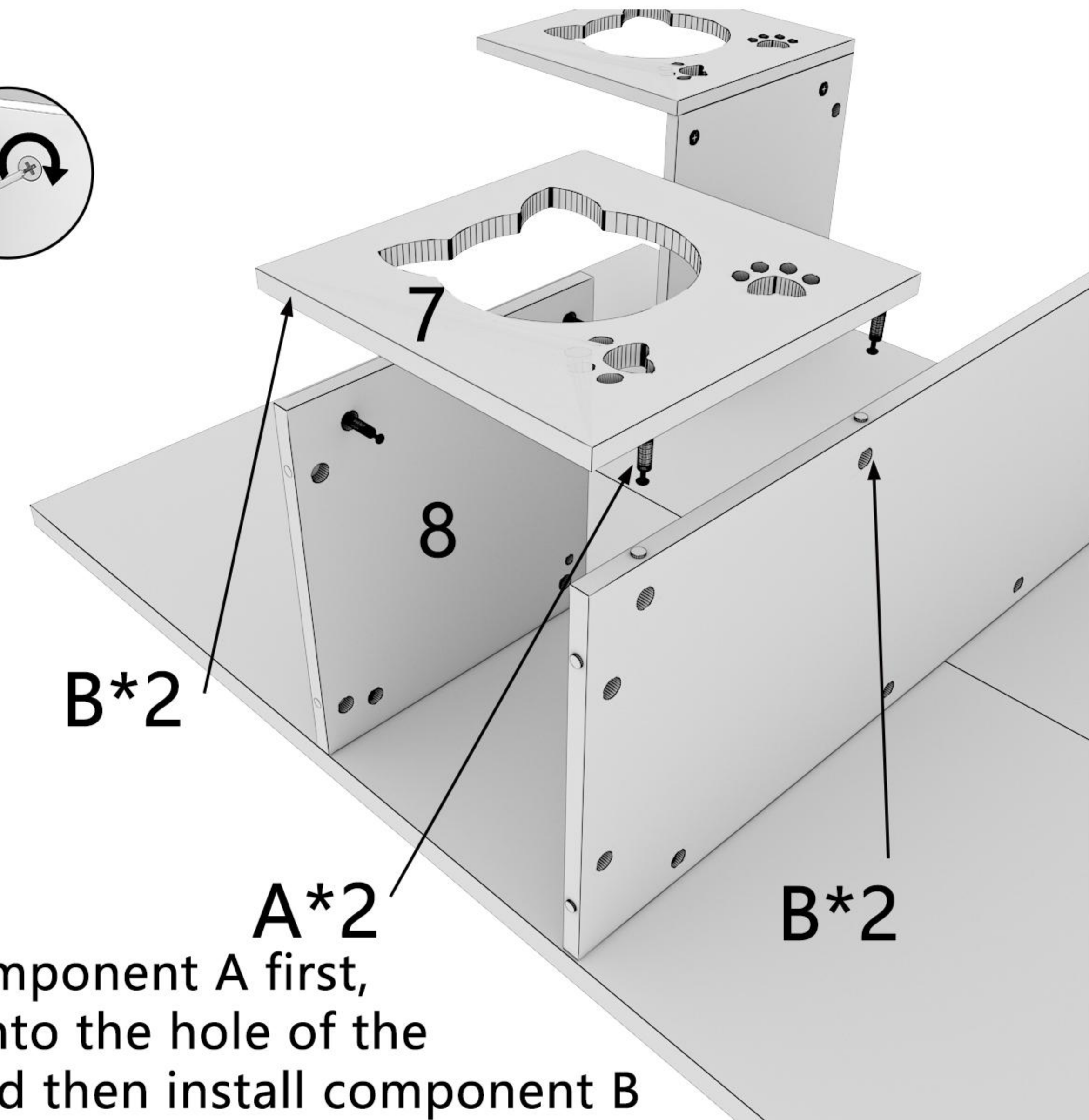
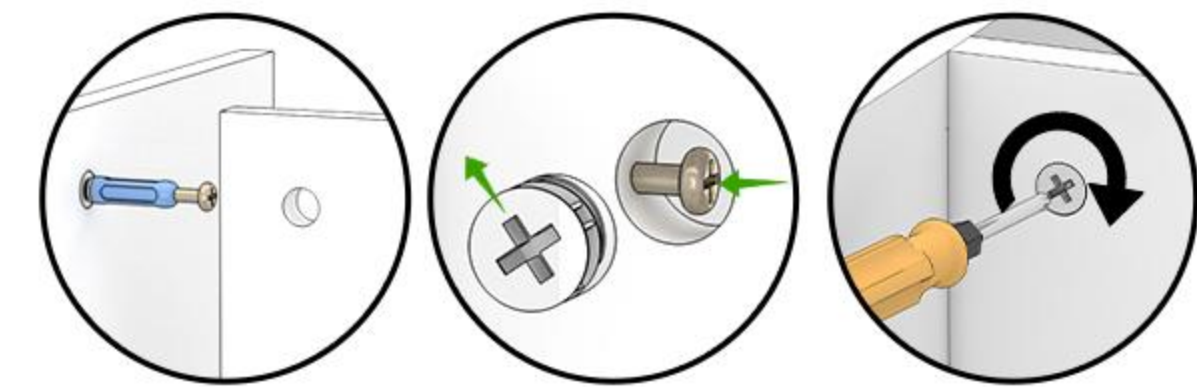


Attention:  
8/10 board hole direction!

### STEP 3

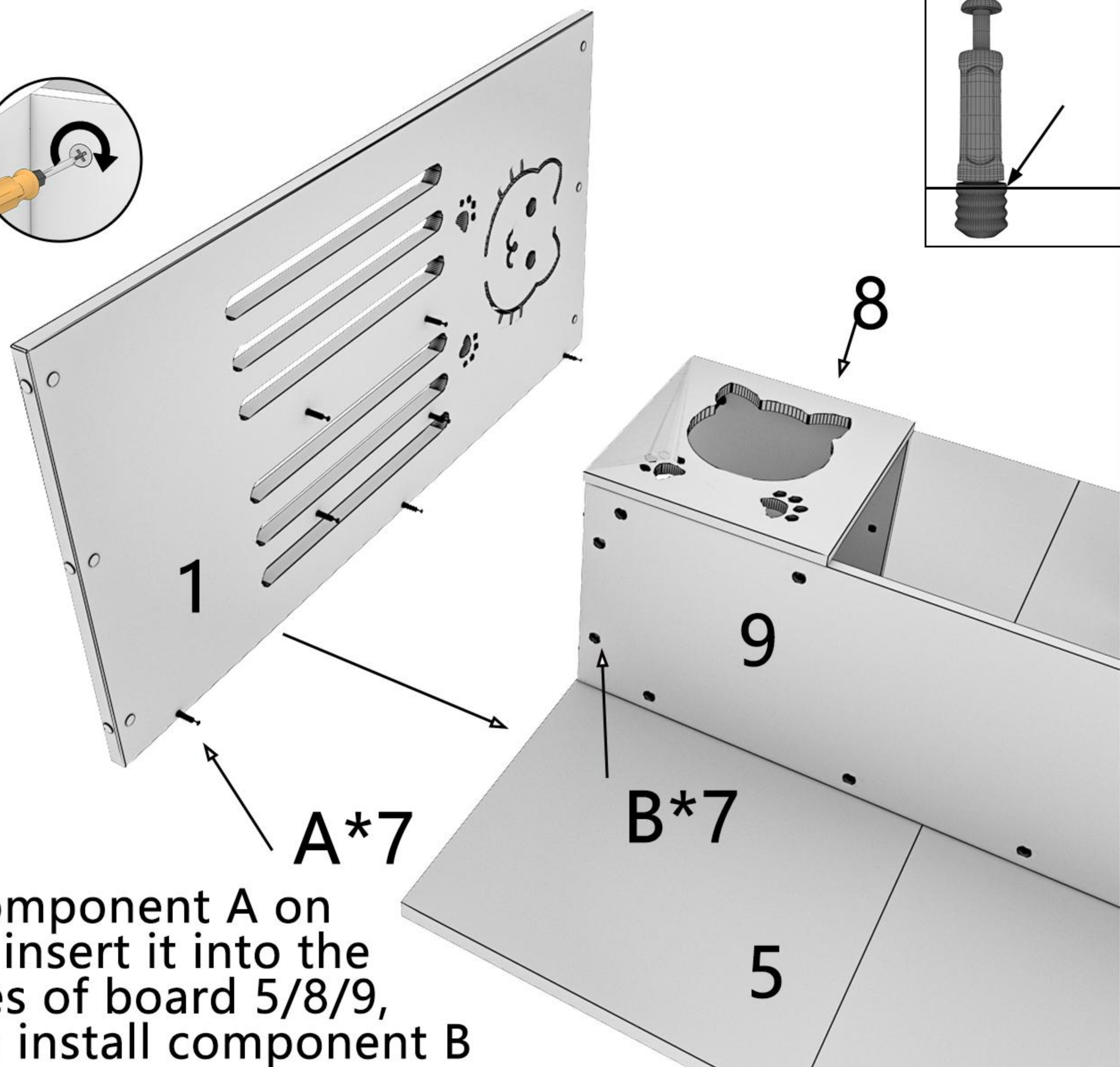
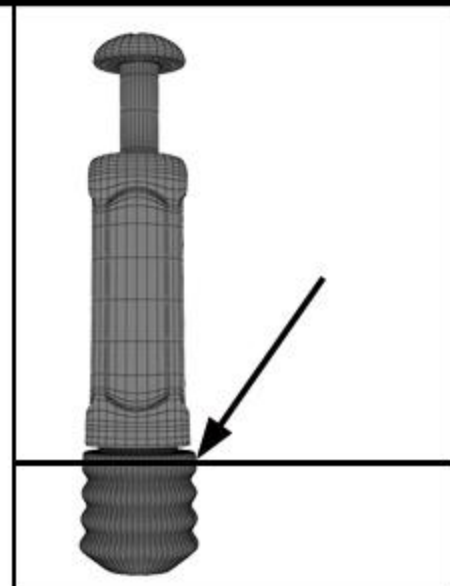
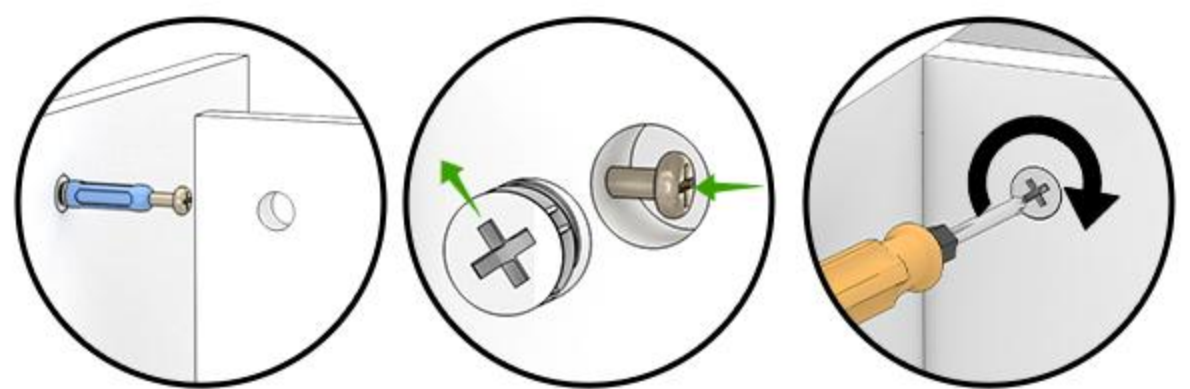


### STEP 4



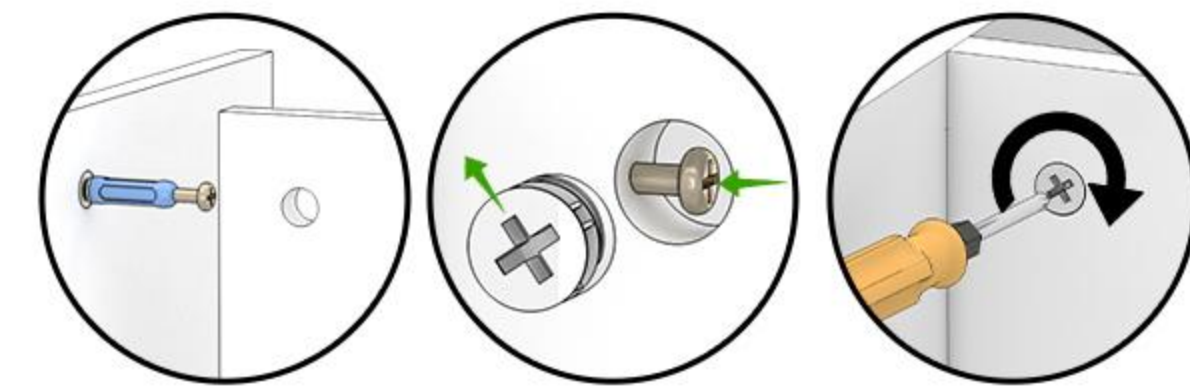
Install component A first,  
insert it into the hole of the  
board, and then install component B

### STEP 5

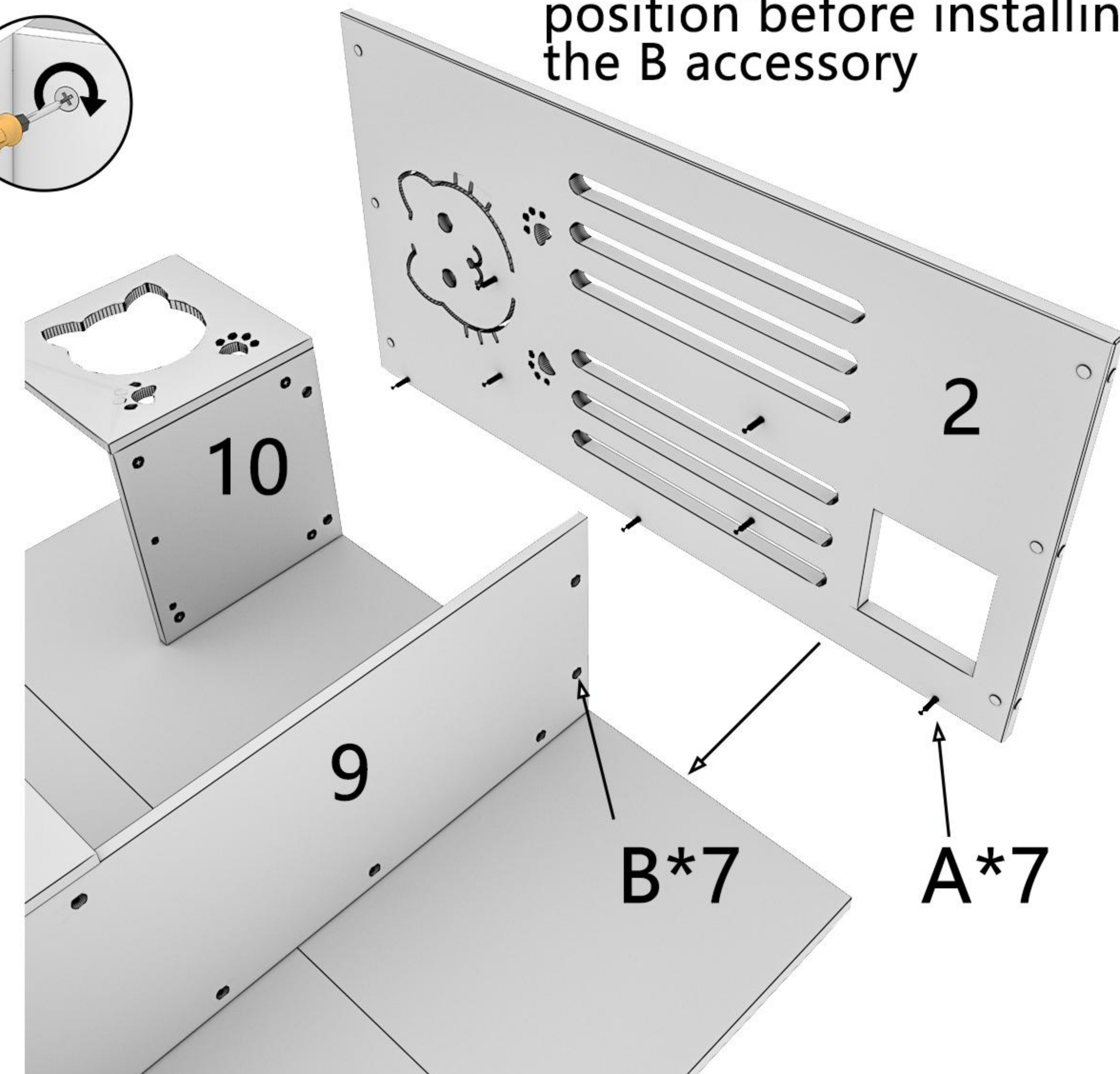


Install component A on board 1, insert it into the side holes of board 5/8/9, and then install component B

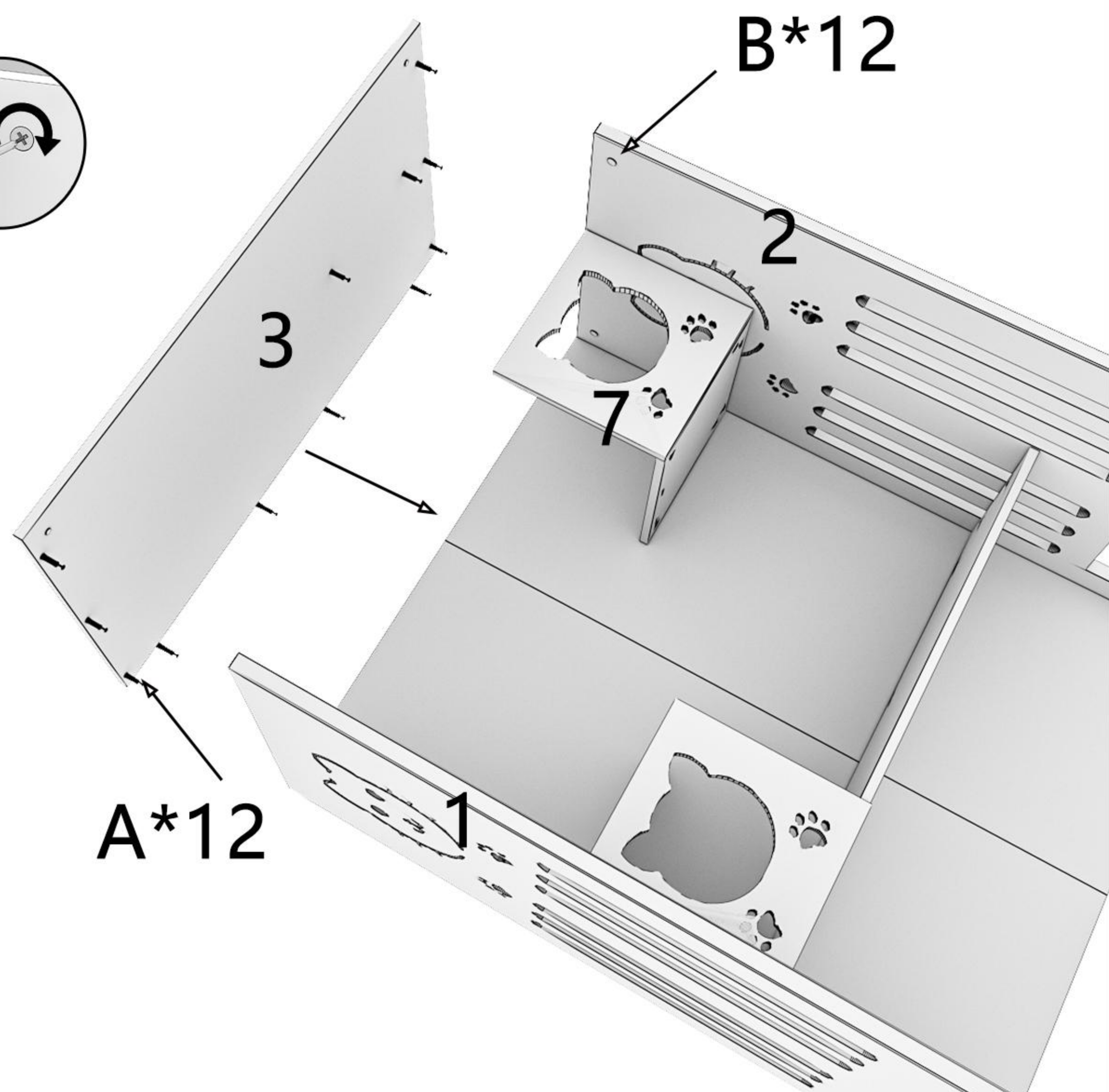
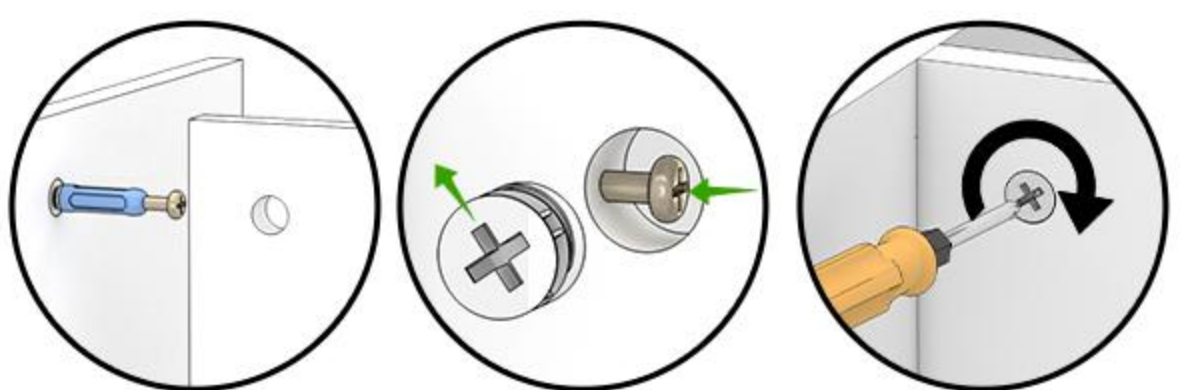
### STEP 6



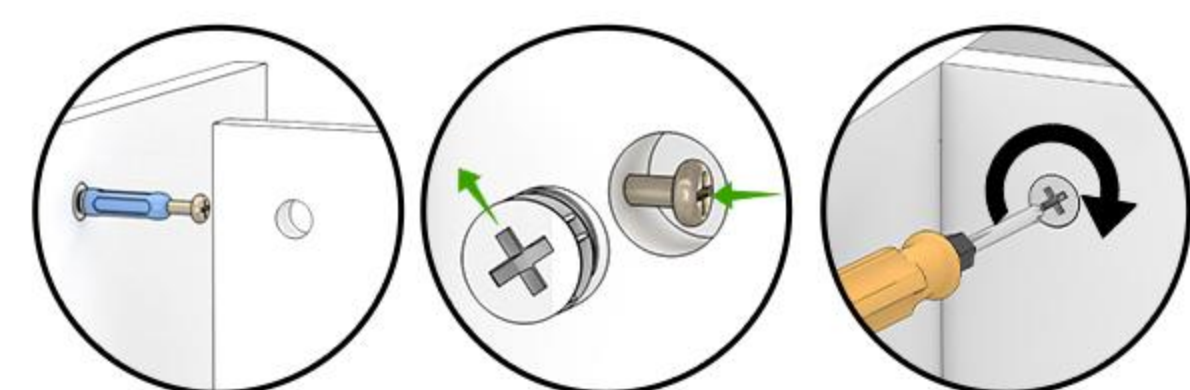
First, align the hole position before installing the B accessory



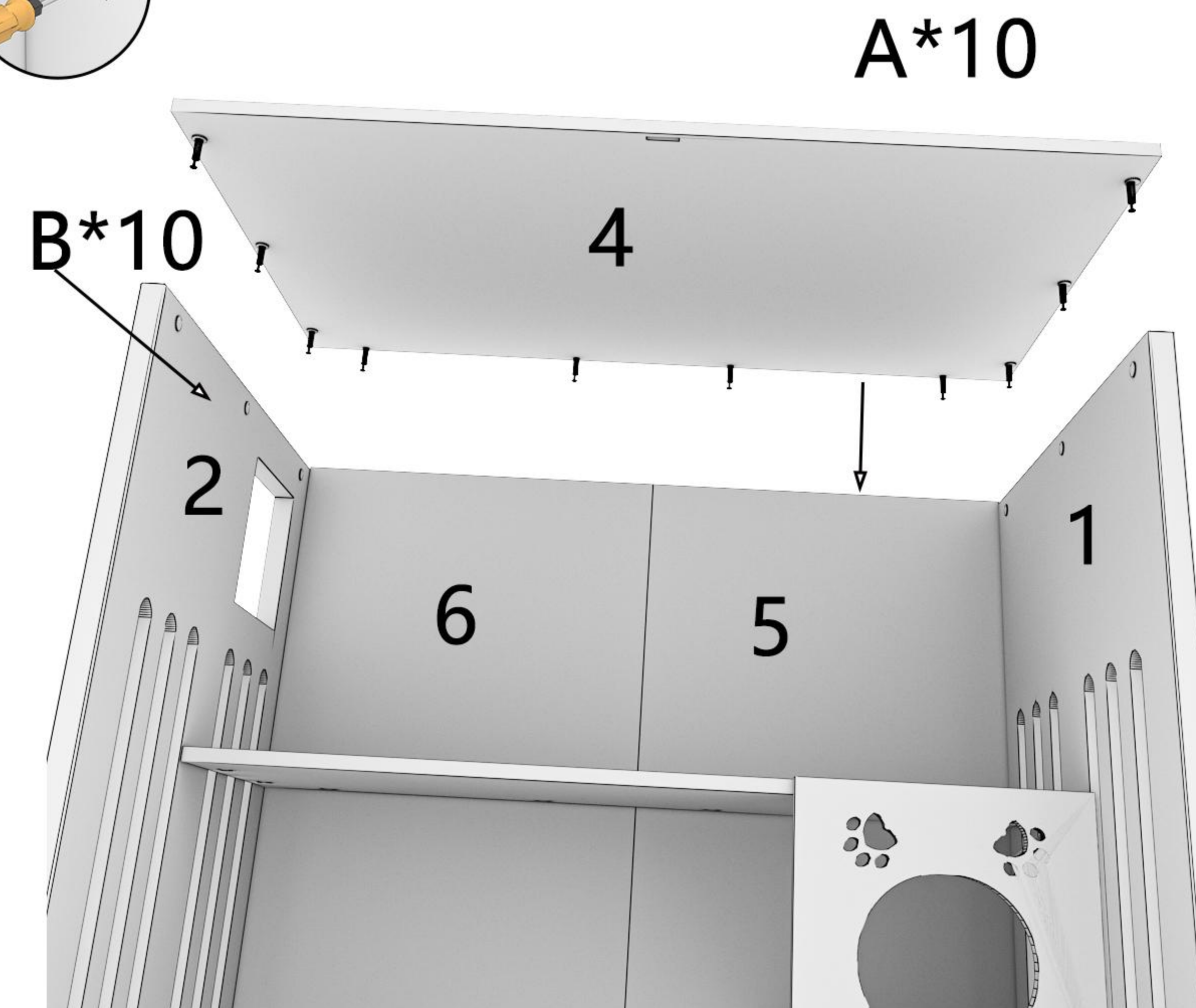
### STEP 7



### STEP 8

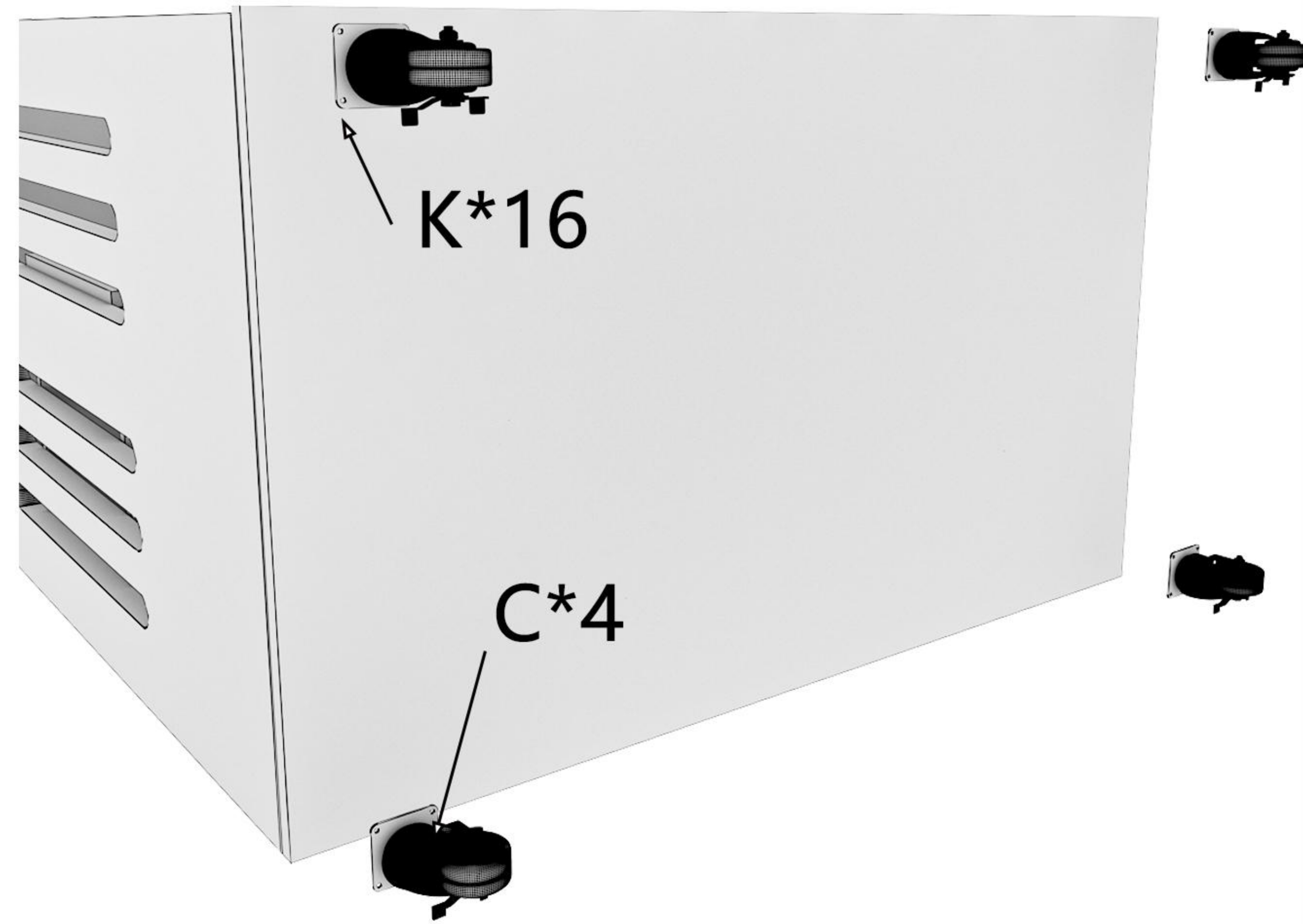


The holes for inserting A accessories need to be installed with B

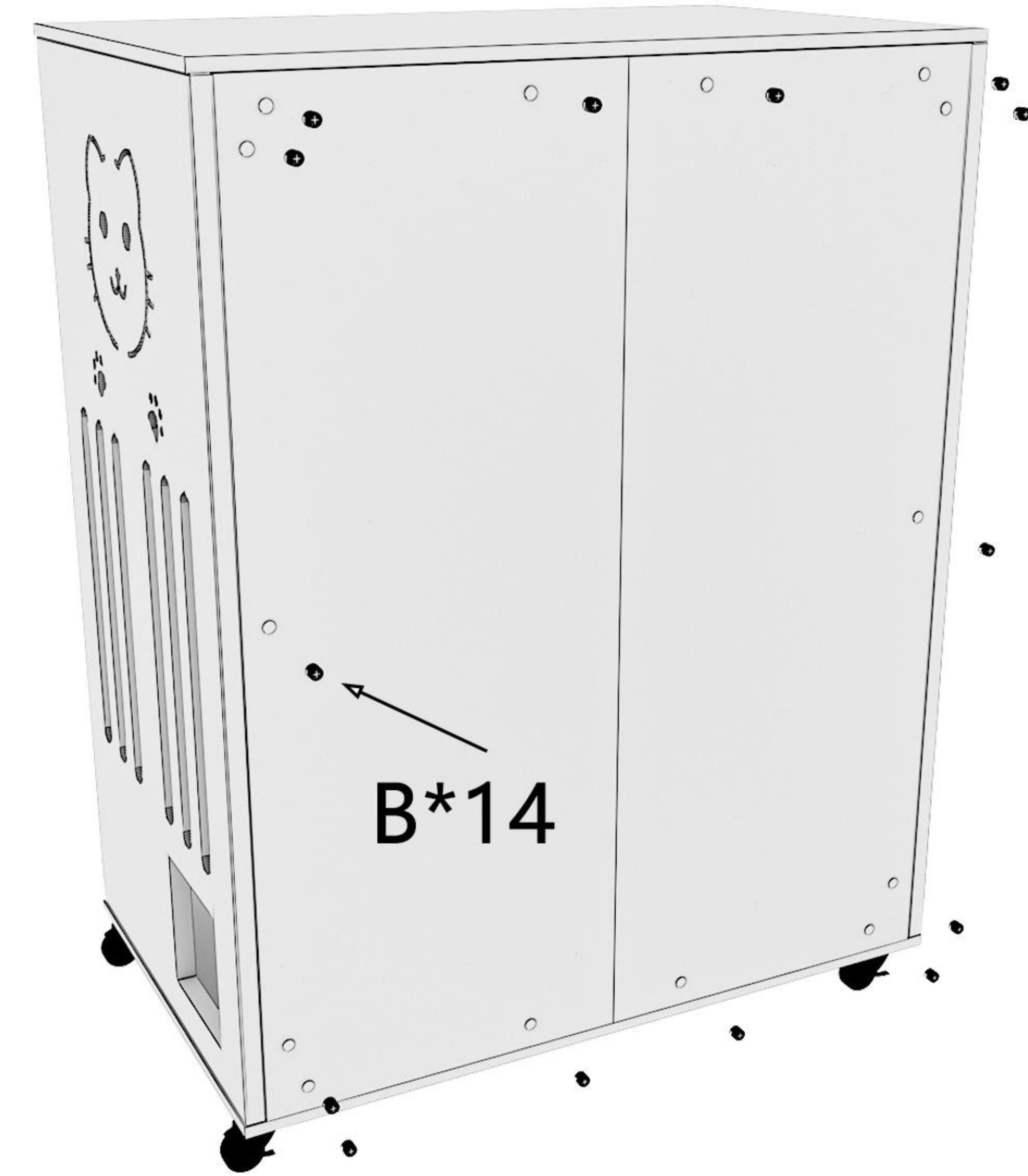
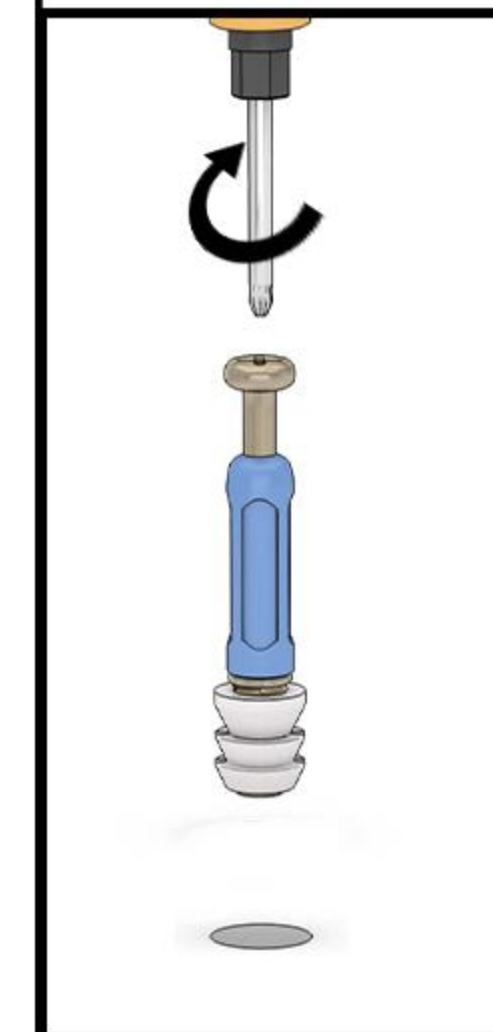
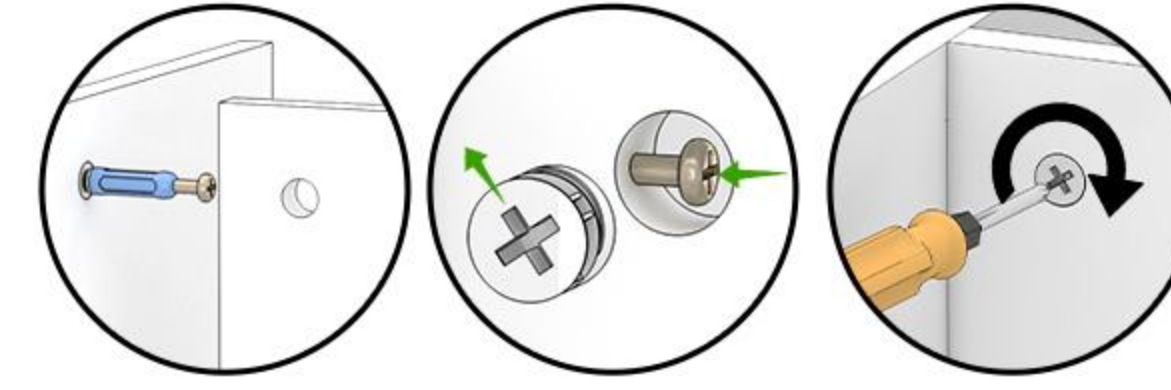


## STEP 9

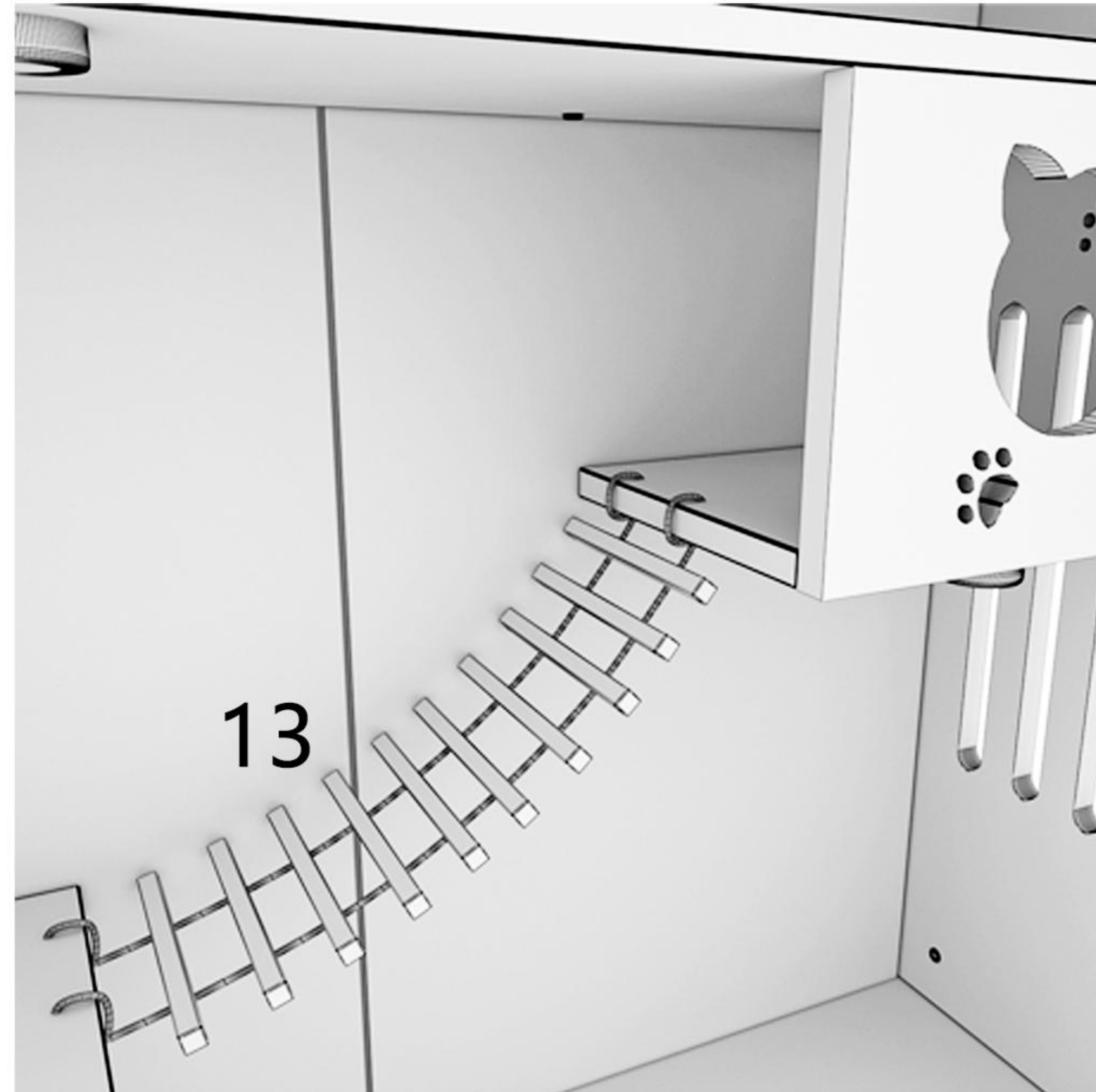
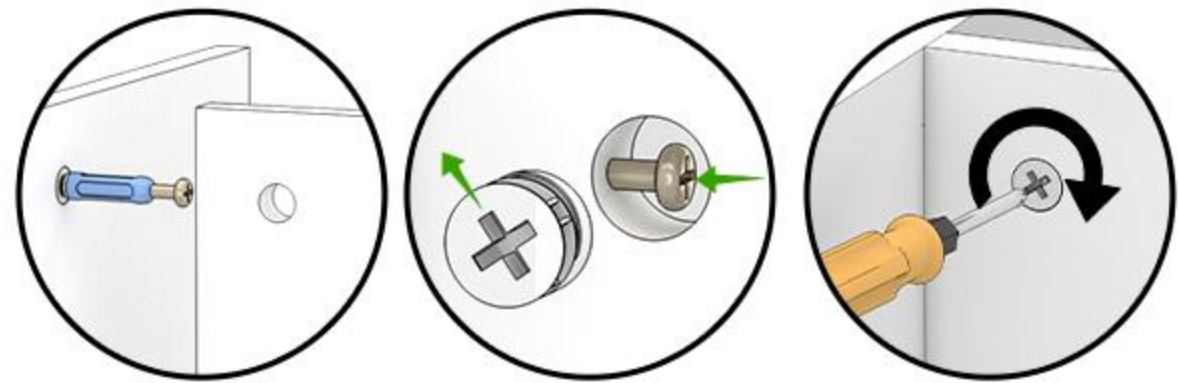
This step selects the installation according to the requirements



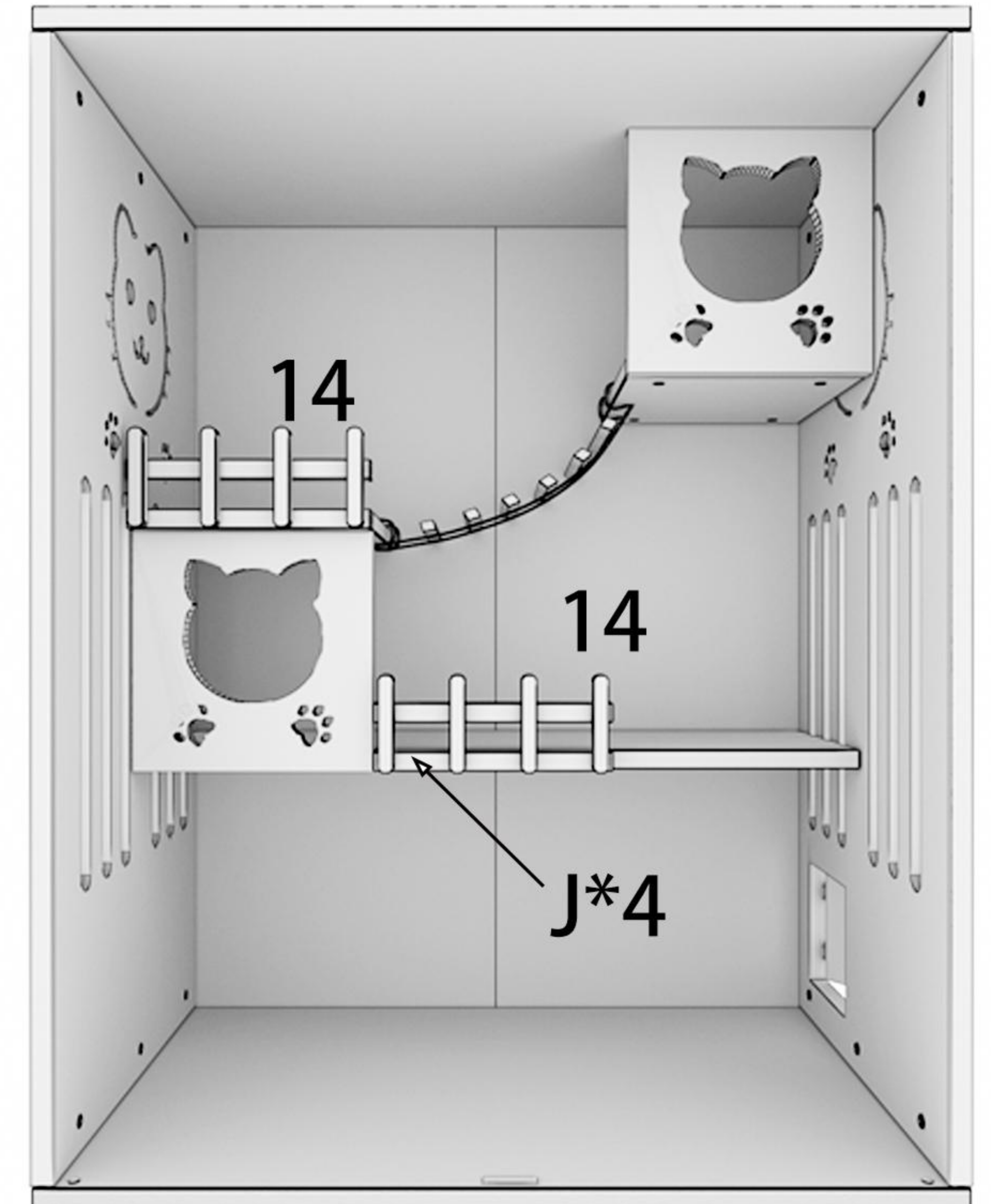
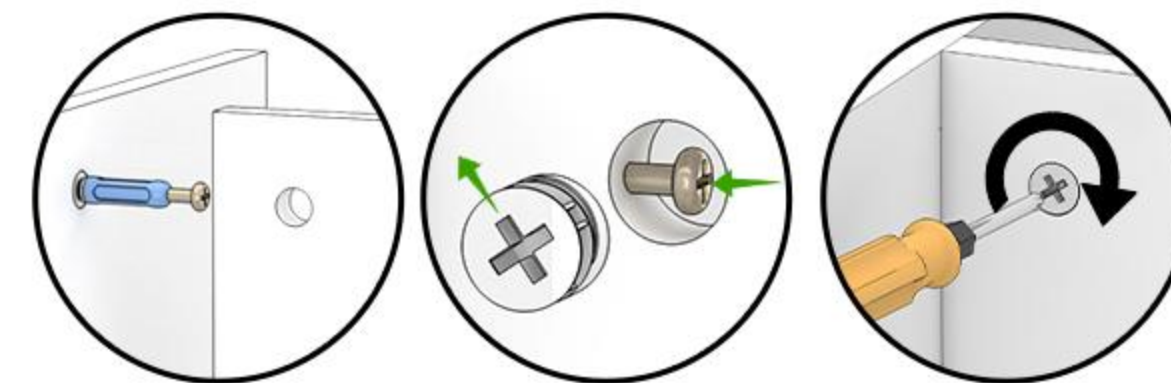
## STEP 10



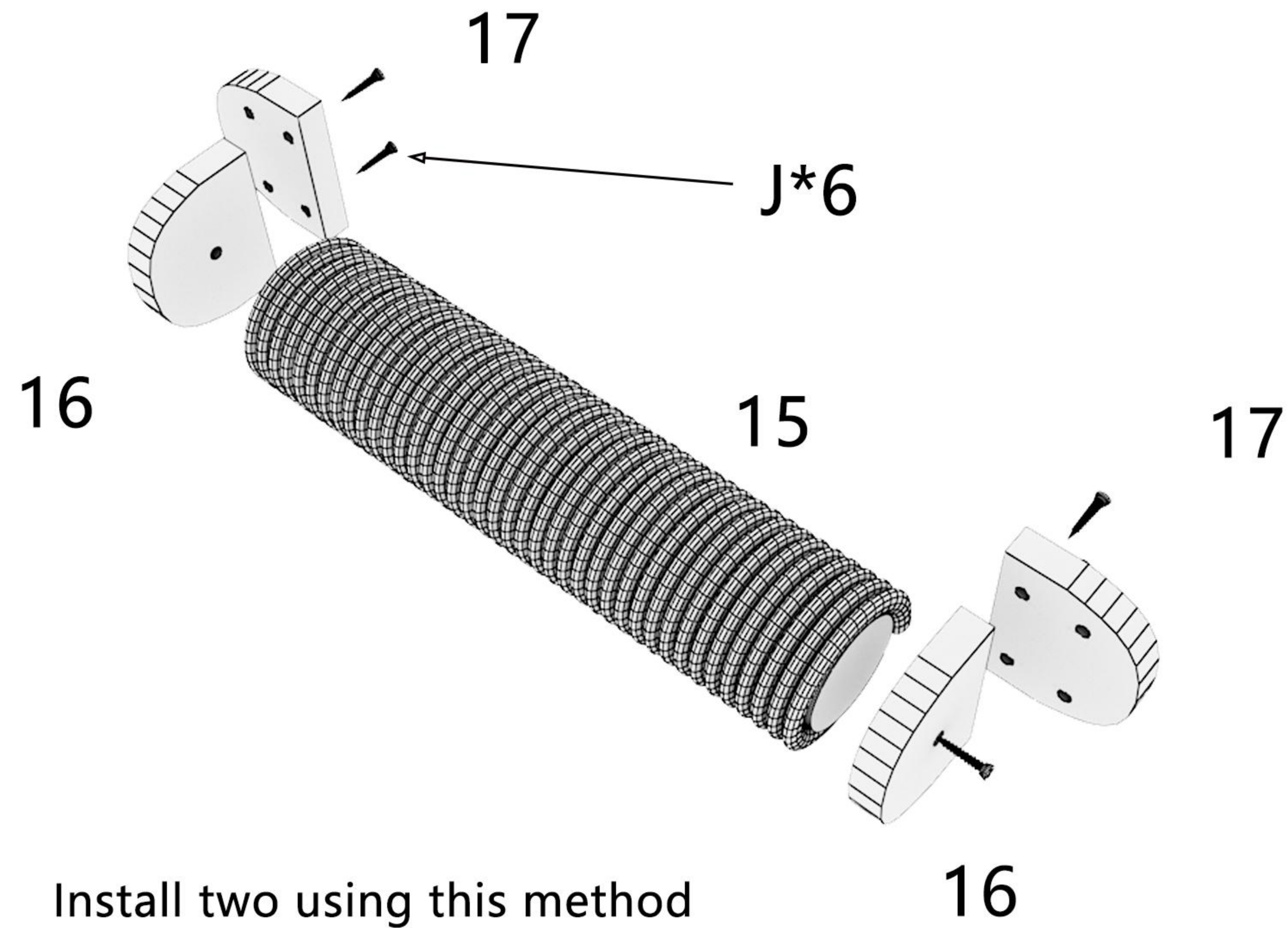
## STEP 11



## STEP 12



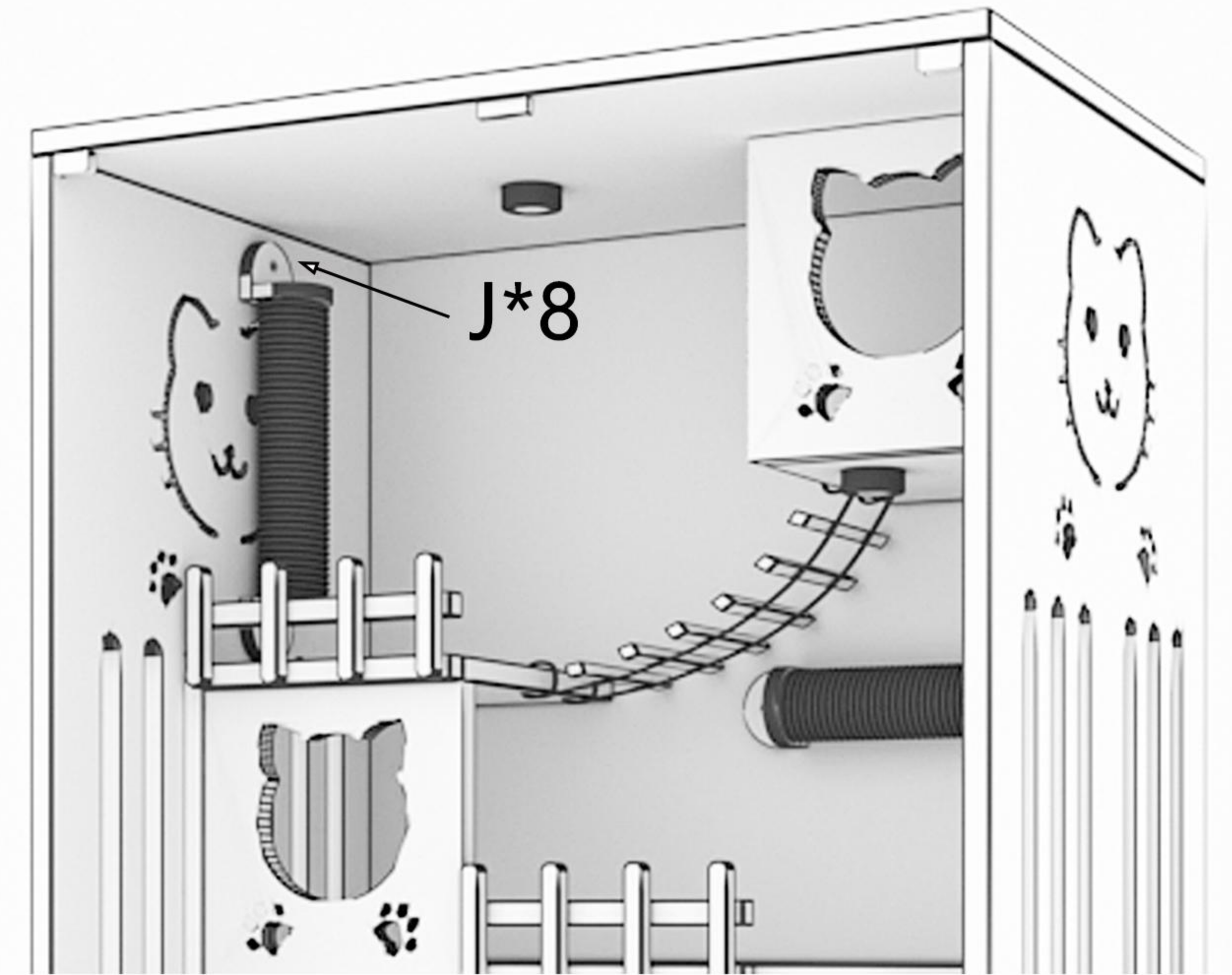
### STEP 13



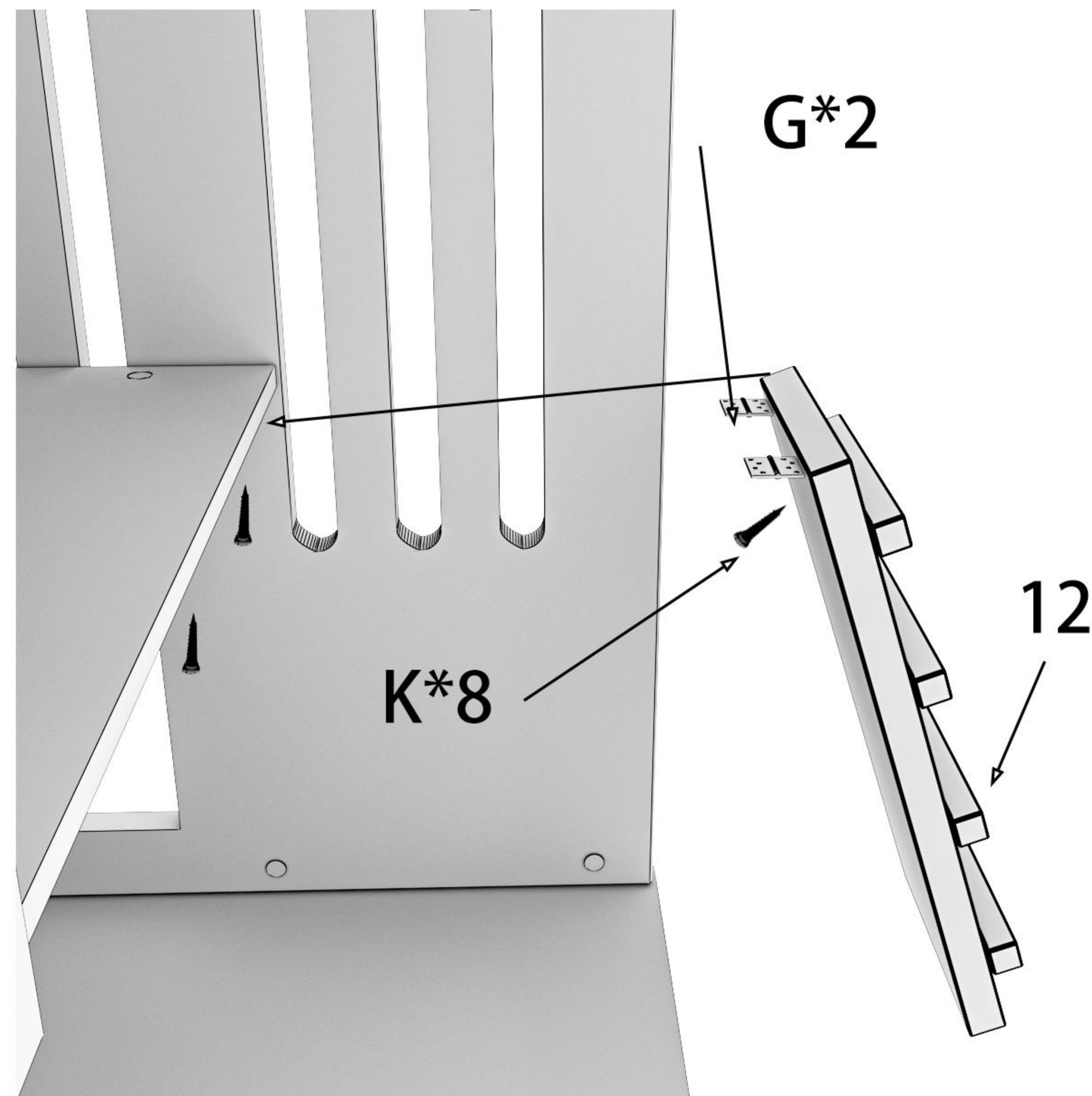
Install two using this method

### STEP 14

You can freely choose the installation location

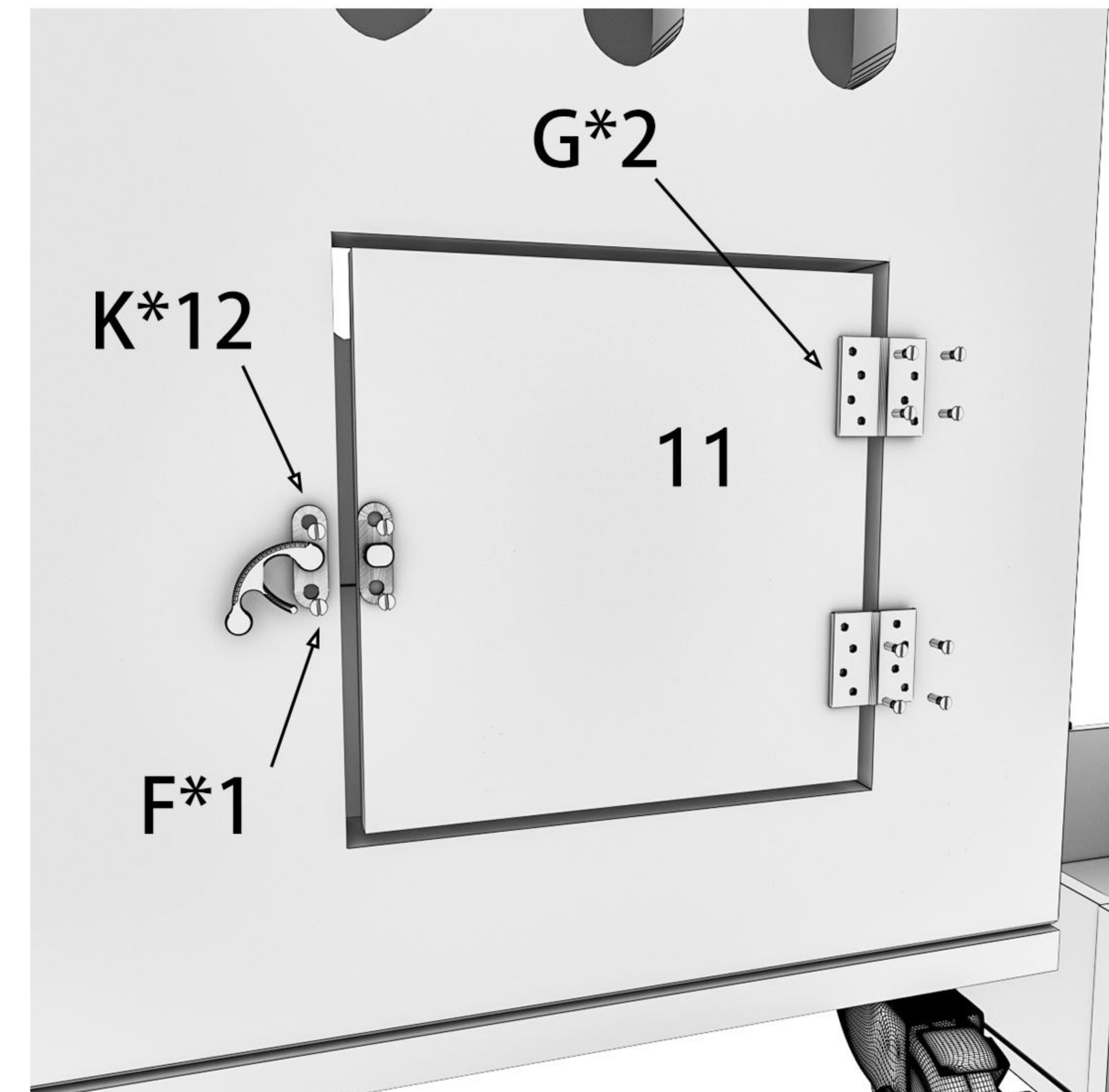


### STEP 15

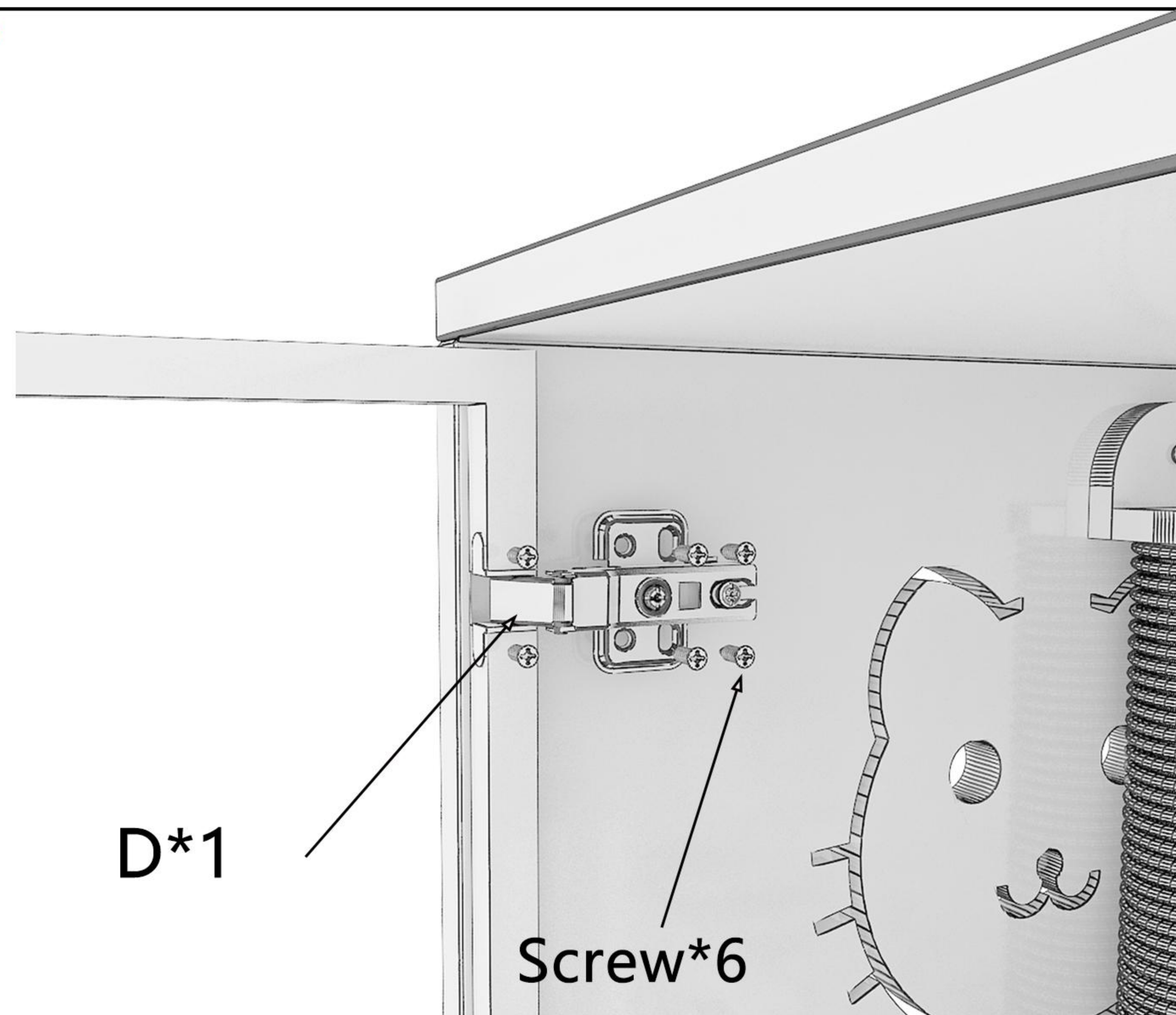


### STEP 16

G accessories can be installed on the side or below



## STEP 17



The D accessory is installed in the reserved hole of the glass door frame and fixed in the picture position with the screws in the D accessory package according to the diagram

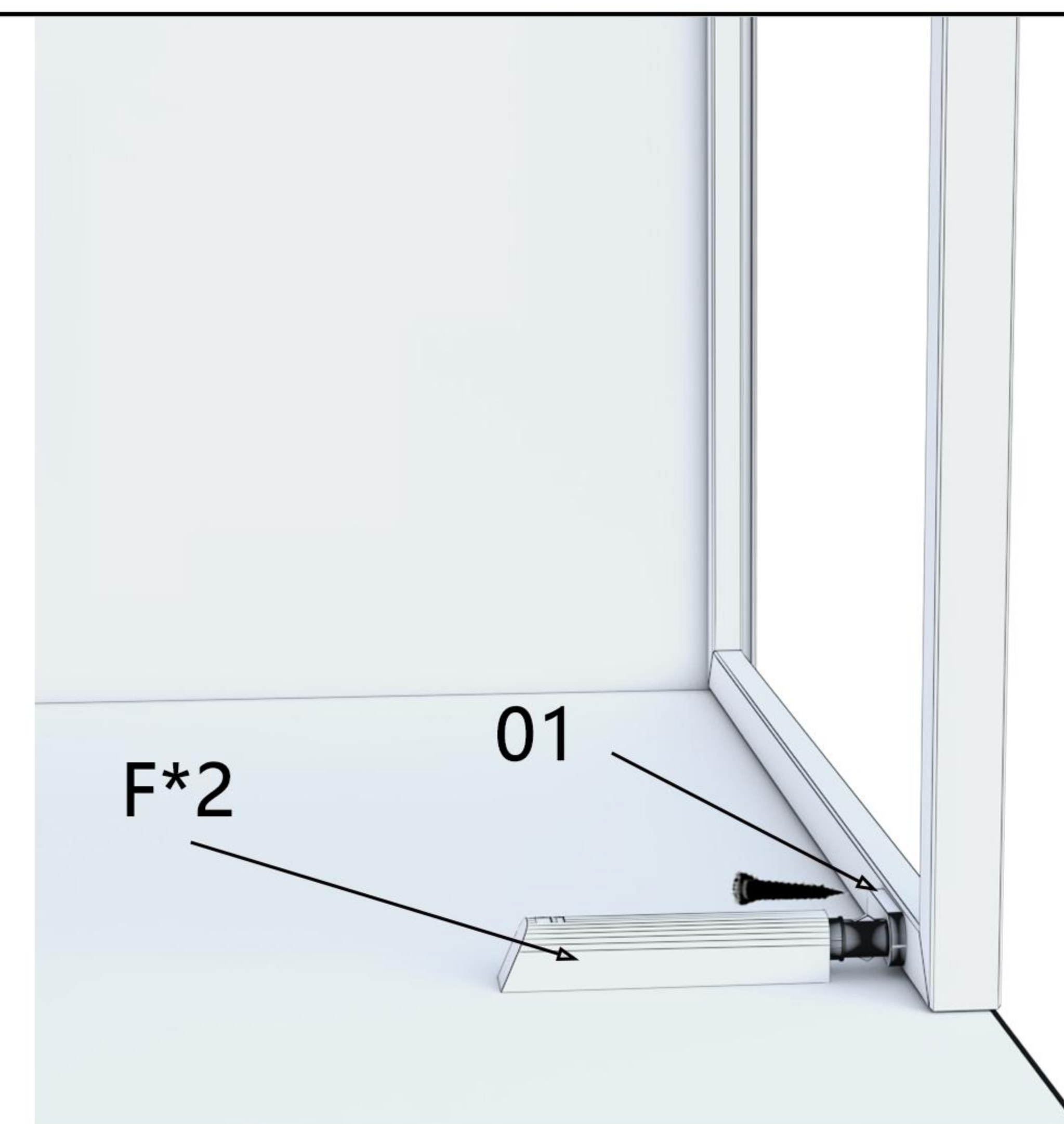
The other three D accessories should be fixed according to the above requirements

## STEP 18

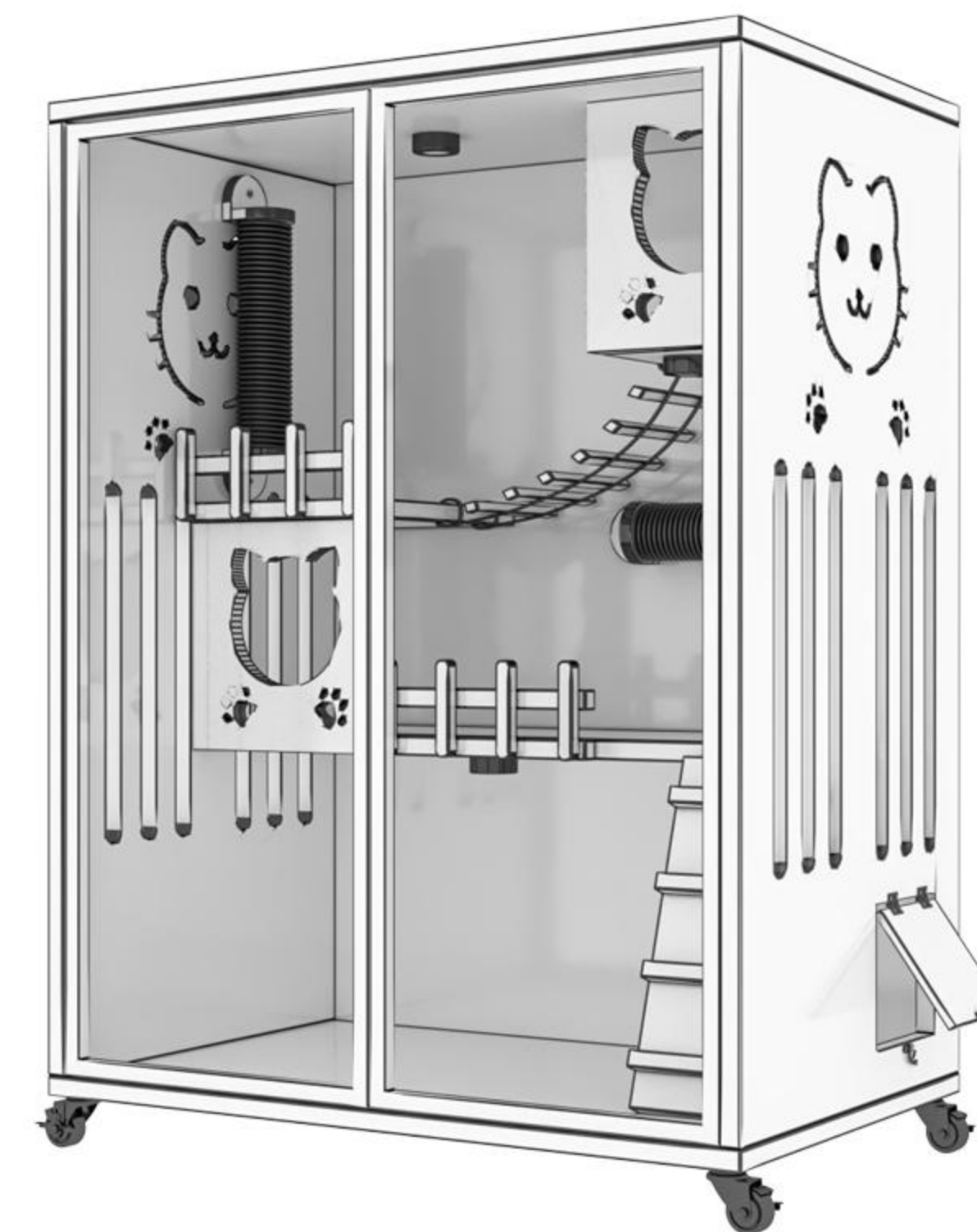
The aluminum alloy frame is level with the side panels on both sides



## STEP 18



Close the border door and install the F accessory corresponding to the 4th board according to the hole position drilled below the border as shown in accessory 01 in picture  
Install both F accessories according to this method



### Attention:

If the glass is damaged, you can contact us for replacement. If any accessories are damaged or have problems, you can contact us.