



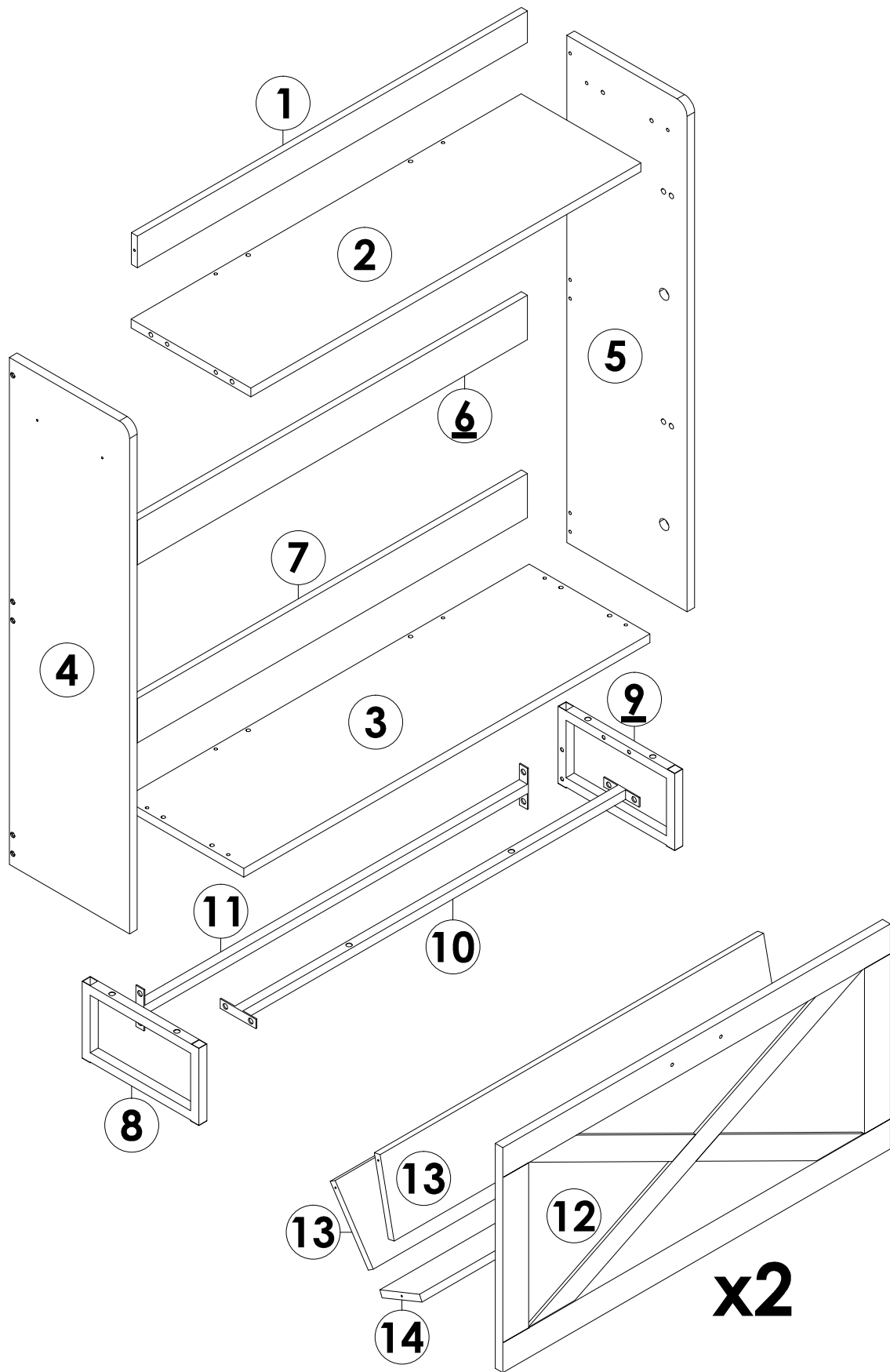
Before You Start

- ⚠ Please read all instructions carefully.
- ⚠ Retain instructions for future reference.
- ⚠ Separate and count all parts and hardware.
- ⚠ Read through each step carefully and follow the proper order.
- ⚠ We recommend that, where possible, all items are assembled near to the area in which they will be placed in use, to avoid moving the product unnecessarily once assembled.
- ⚠ Always place the product on a flat, steady and stable surface.
- ⚠ Keep all small parts and packaging materials for this product away from babies and children as they potentially pose a serious choking hazard.


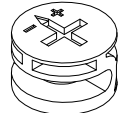


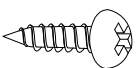
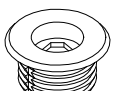
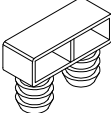

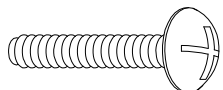
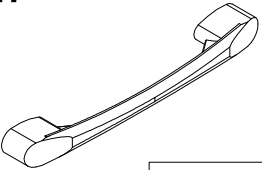
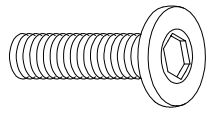
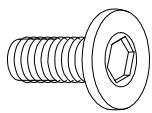
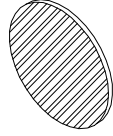
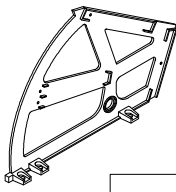
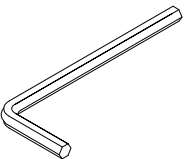
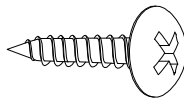
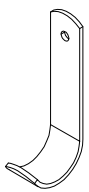
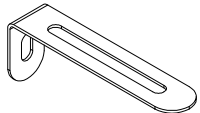
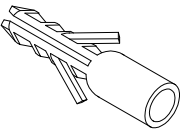
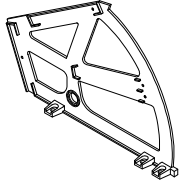

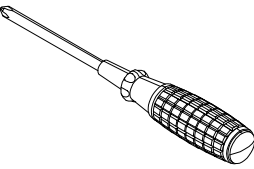
If you're having difficulty, our friendly customer team is always here to help.



Parts List

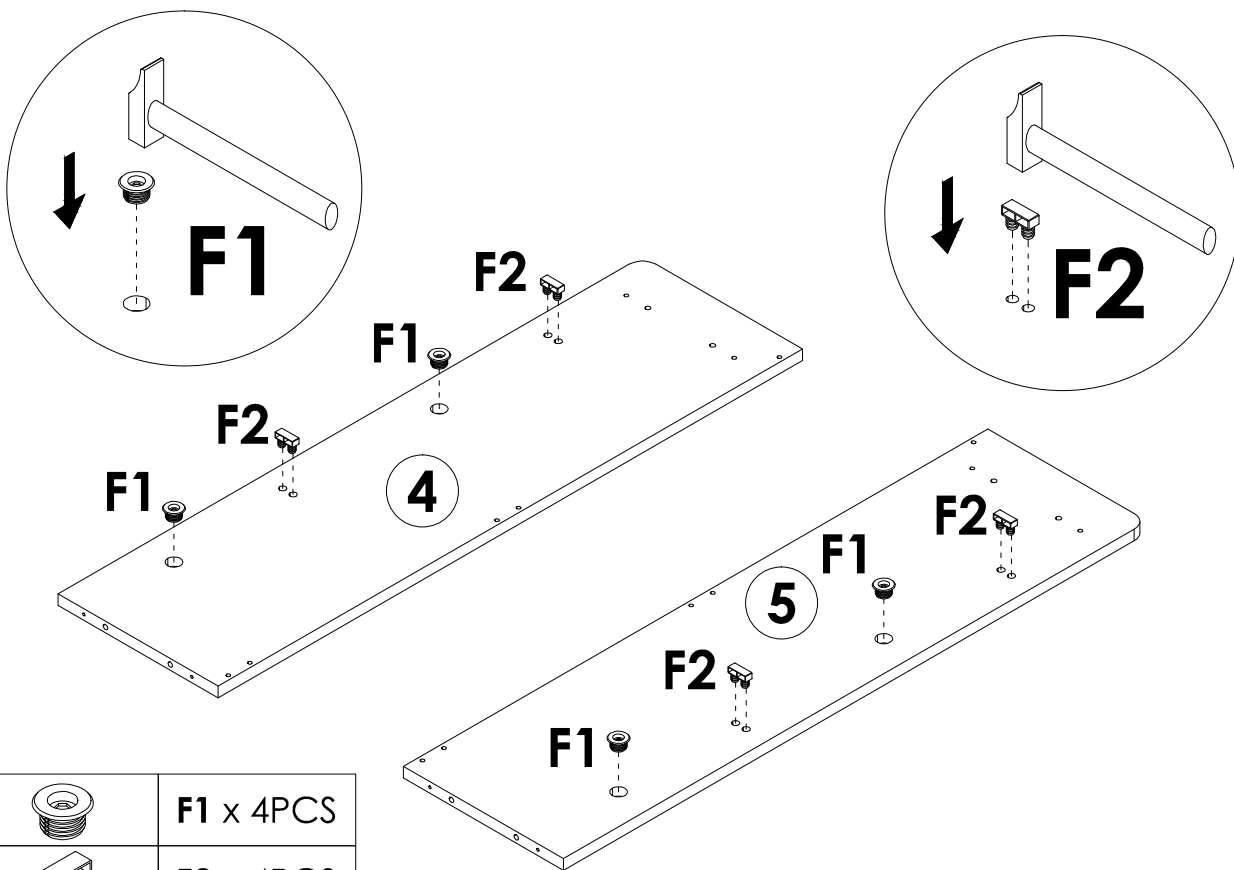



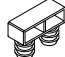
Parts List(EN) / Teile Liste(DE)

<p>A</p>  <p>M6x35mm 4PCS</p>	<p>B</p>  <p>Ø15x9mm 4PCS</p>	<p>C</p>  <p>M4x40mm 20+2PCS</p>	<p>D</p>  <p>Ø6x30mm 12+1PCS</p>
<p>E</p>  <p>M4x10mm 4PCS</p>	<p>F</p> <div style="display: flex; justify-content: space-around;"> <div style="text-align: center;">  <p>F1</p> </div> <div style="text-align: center;">  <p>F2</p> </div> <div style="text-align: center;">  <p>F3</p> </div> </div> <p style="text-align: right;">4PCS</p>		<p>G</p>  <p>M4x18mm 4PCS</p>
<p>H</p>  <p>96mm 2PCS</p>	<p>I</p>  <p>M6x25mm 6PCS</p>	<p>J</p>  <p>M6x12mm 8+1PCS</p>	<p>K</p>  <p>Ø12mm 10+1PCS</p>
<p>L</p>  <p>2PCS</p>	<p>M</p>  <p>M4mm 1PC</p>	<p>N</p>  <p>M4x12mm 6PCS</p>	<p>O</p>  <p>2PCS</p>
<p>P</p>  <p>2PCS</p>	<p>Q</p>  <p>Ø6x30mm 2PCS</p>	<p>R</p>  <p>2PCS</p>	<p>S</p>  <p>M3.5x14mm 24+2PCS</p>
 <p>1PC</p>			

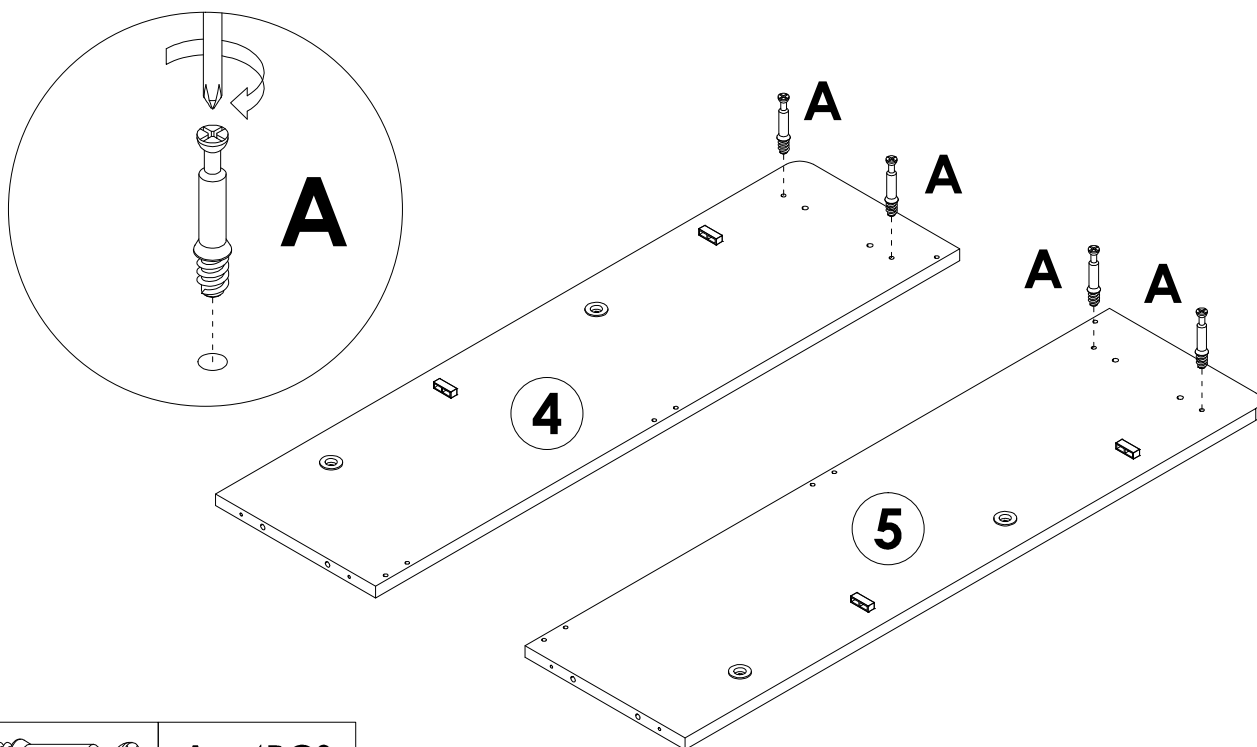
Assembly Steps

STEP 1



	F1 x 4PCS
	F2 x 4PCS

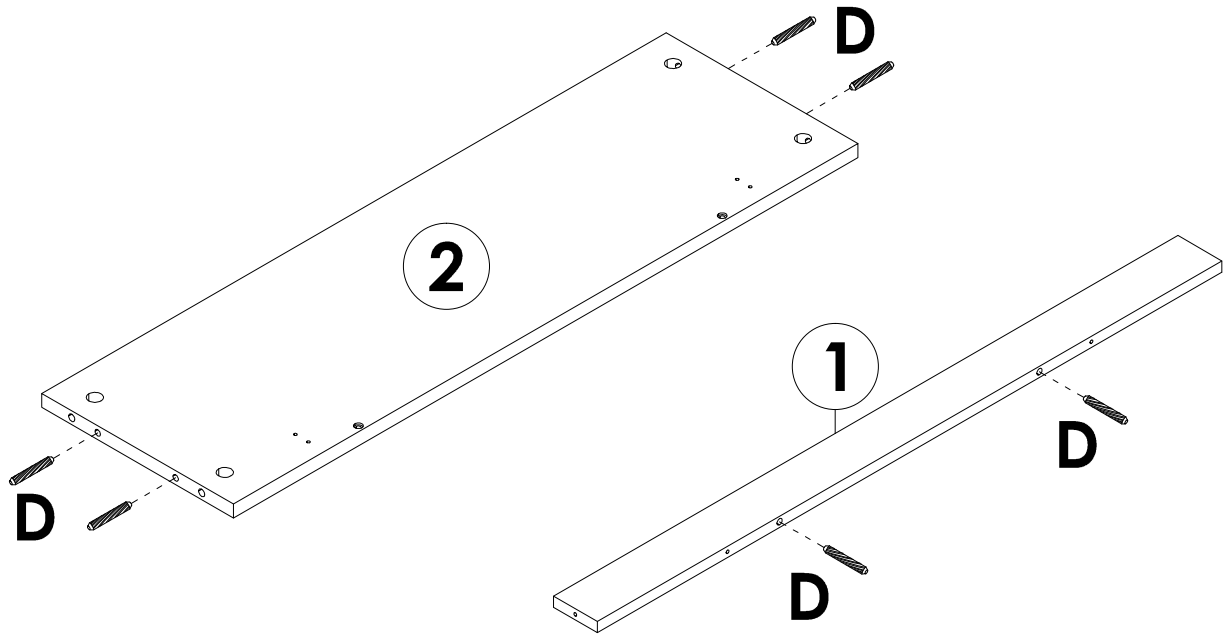
STEP 2



	A x 4PCS
-------------------------------------------------------------------------------------	----------

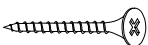
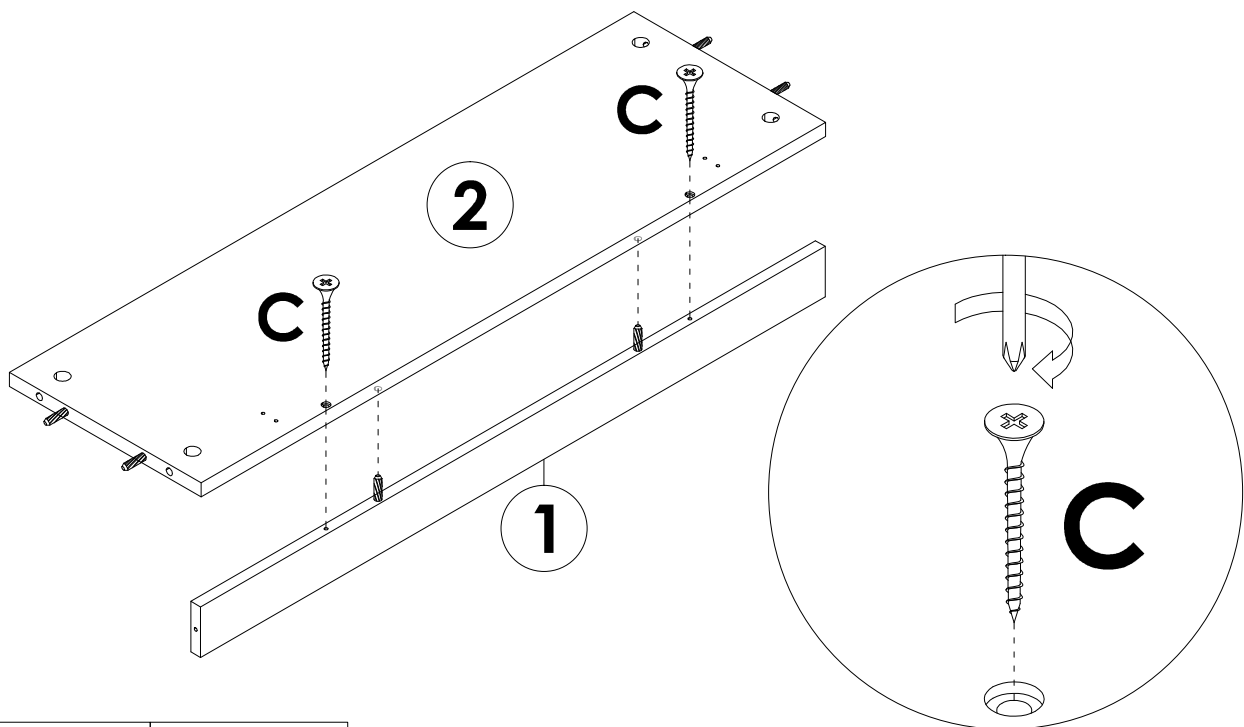
Assembly Steps

STEP 3



D x 6PCS

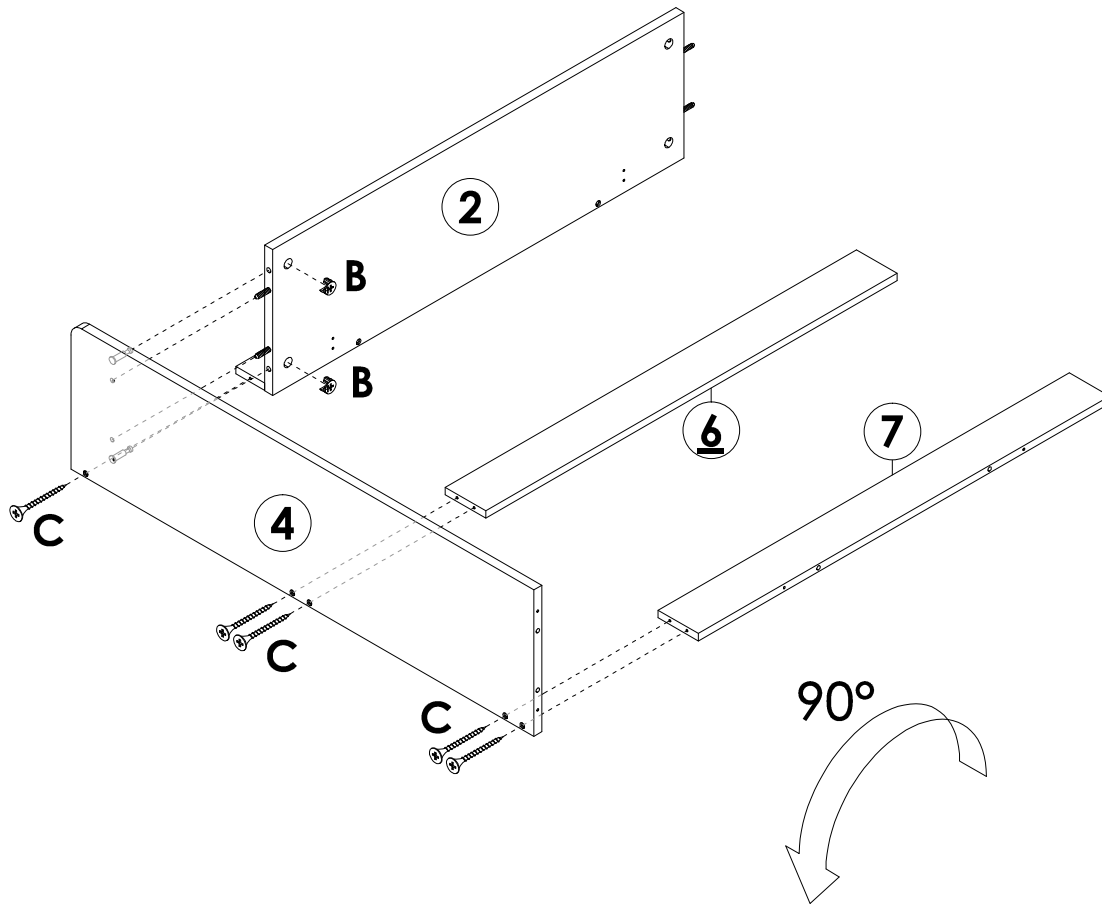
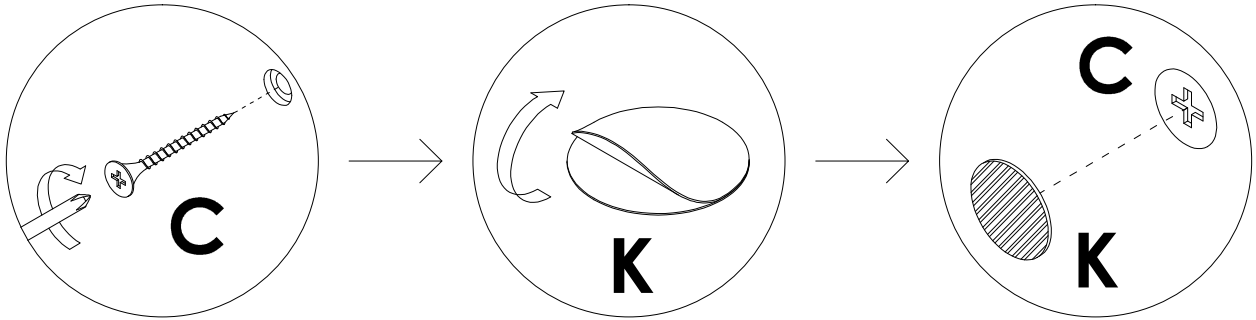
STEP 4


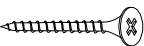



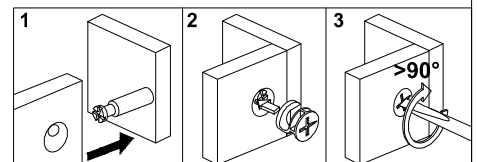
C x 2PCS

Assembly Steps

STEP 5

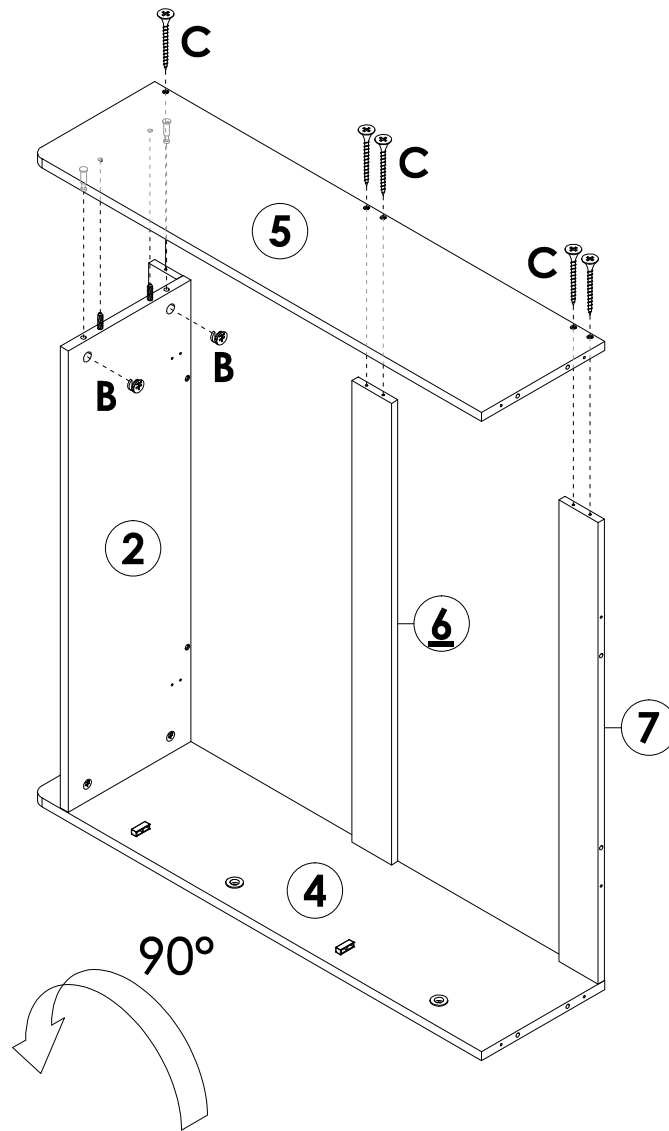
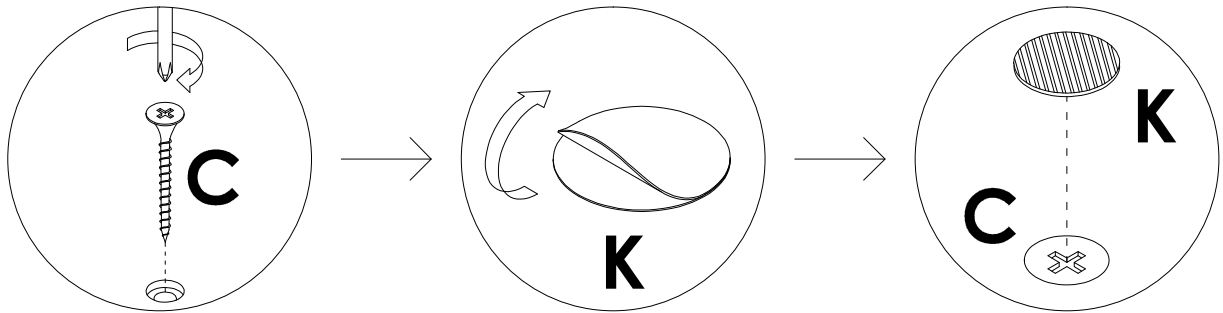



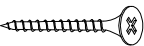

	B x 2PCS
	C x 5PCS
	K x 5PCS

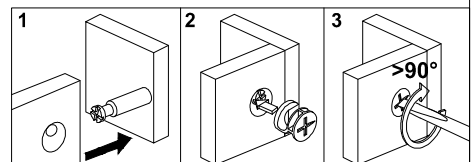


Assembly Steps

STEP 6

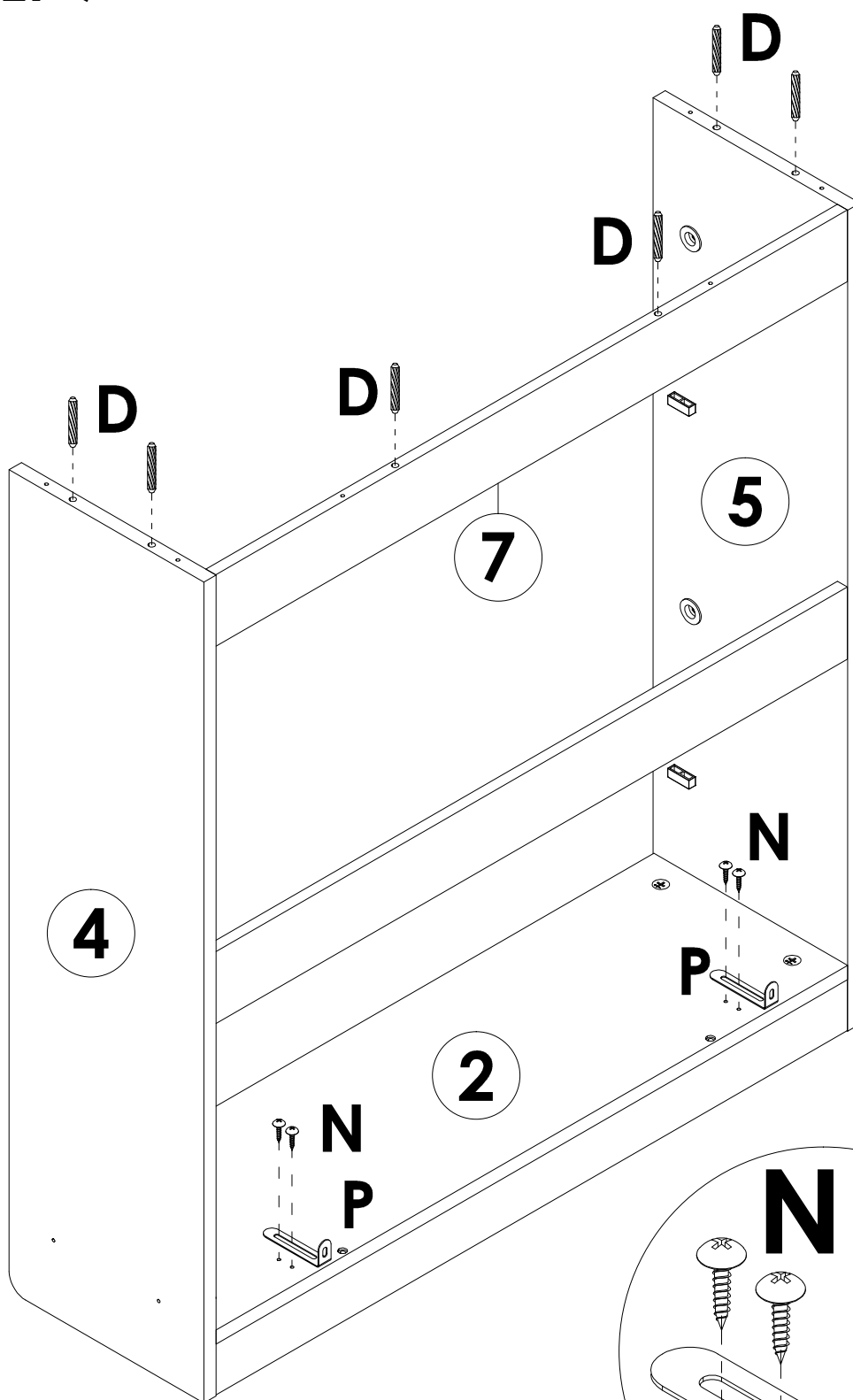



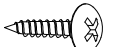

	B x 2PCS
	C x 5PCS
	K x 5PCS

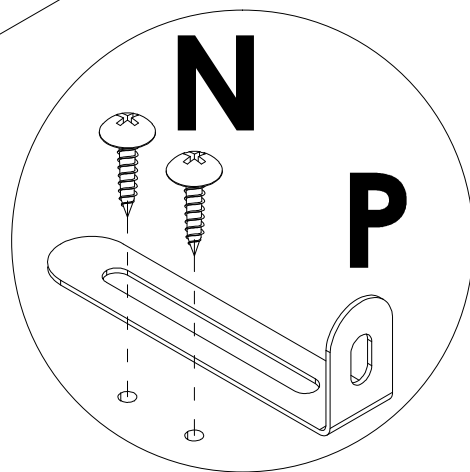


Assembly Steps

STEP 7

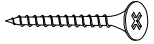
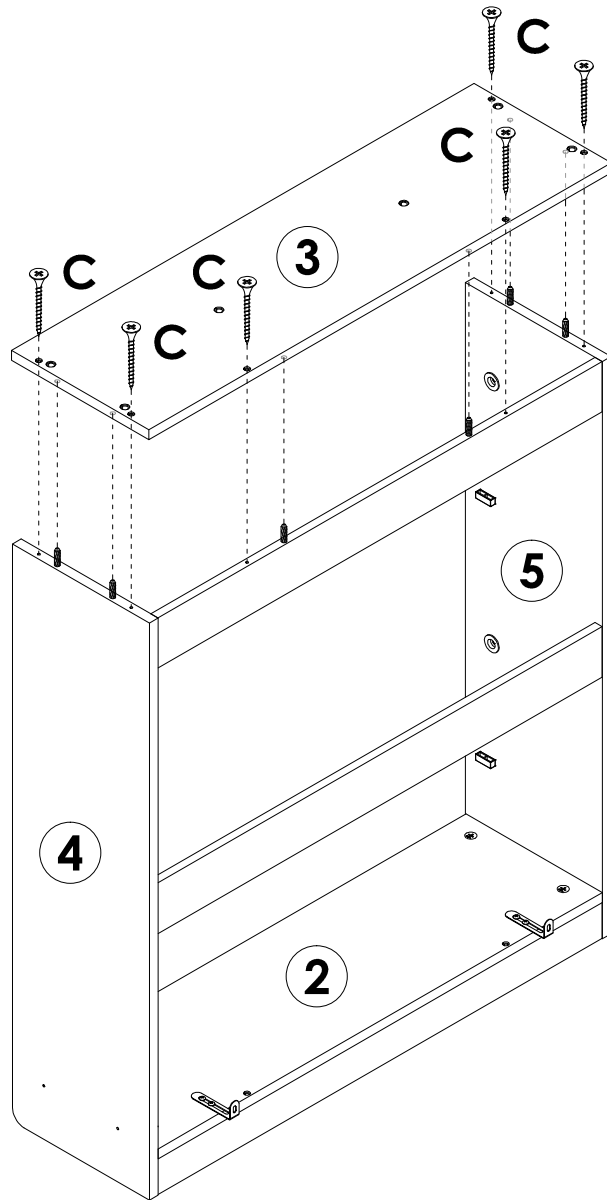
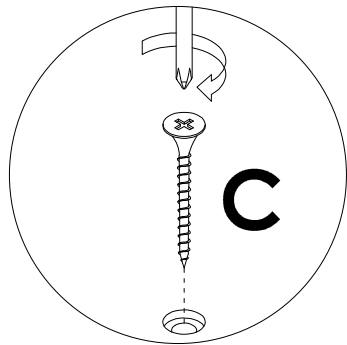


	D x 6PCS
	N x 4PCS
	P x 2PCS



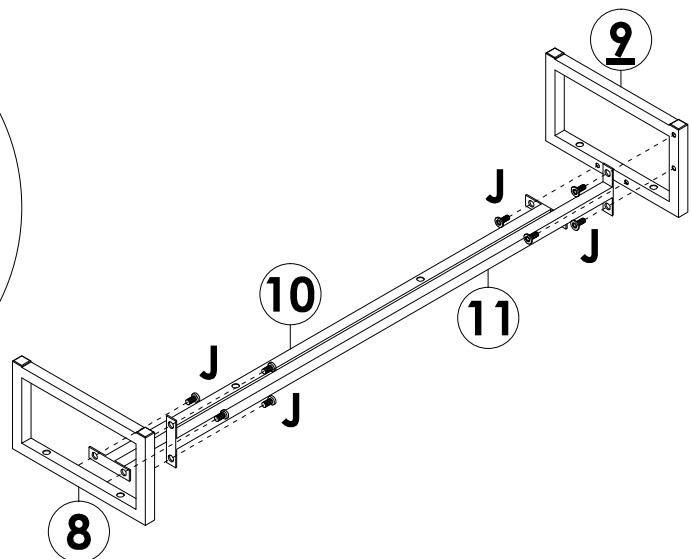
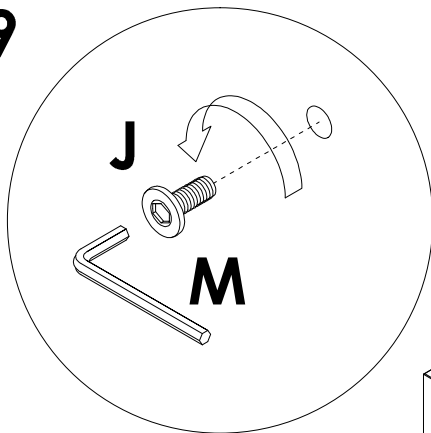
Assembly Steps

STEP 8



C x 6PCS

STEP 9



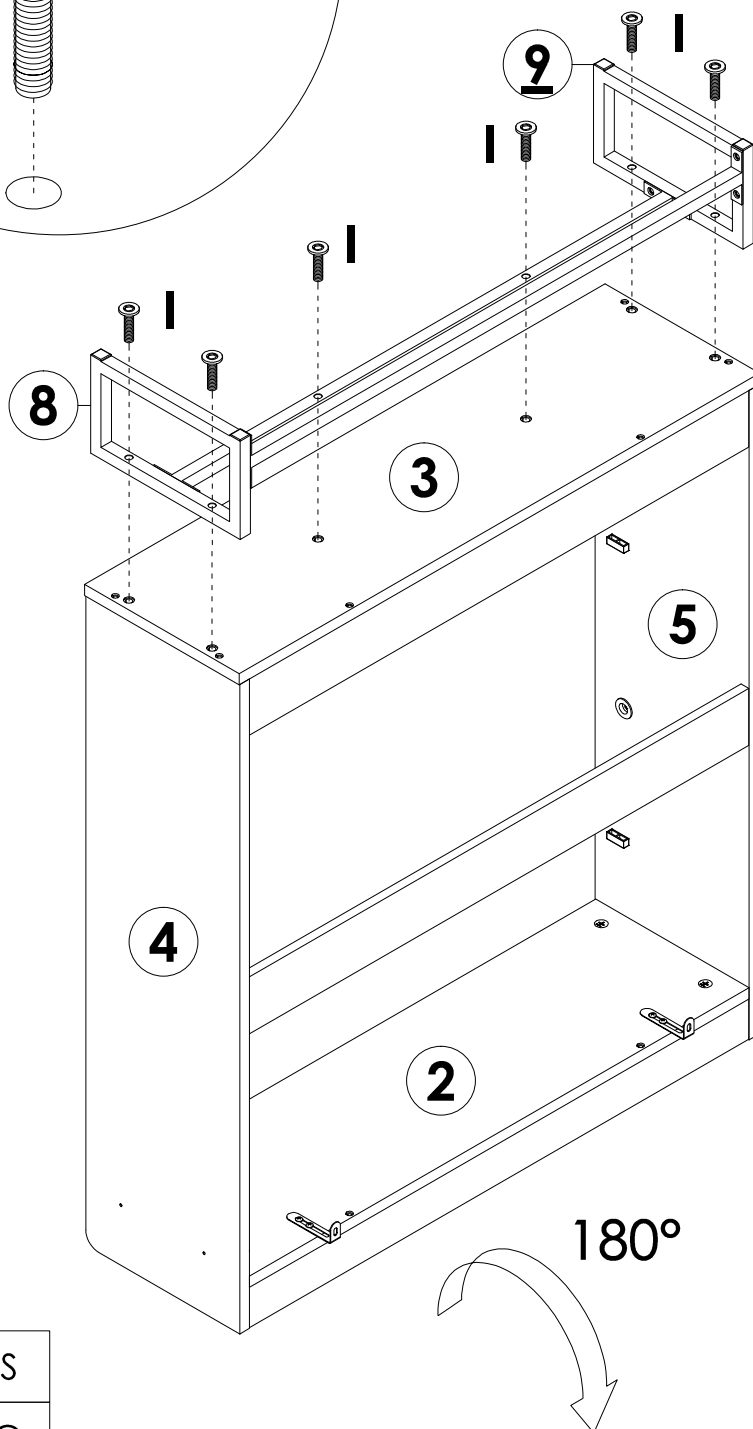
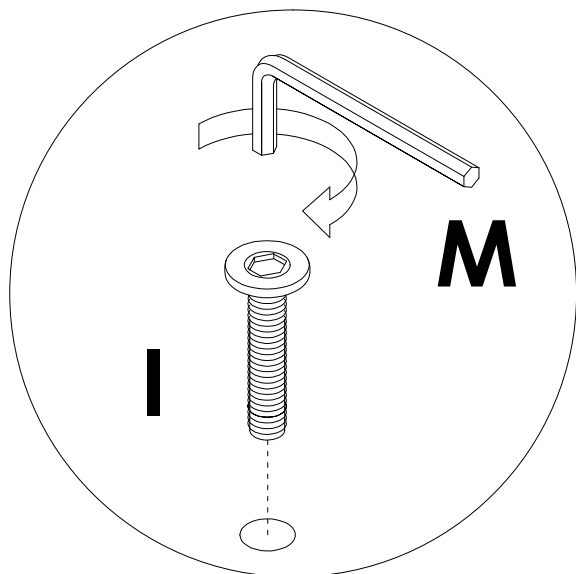
J x 8PCS

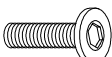



M x 1PC

Assembly Steps

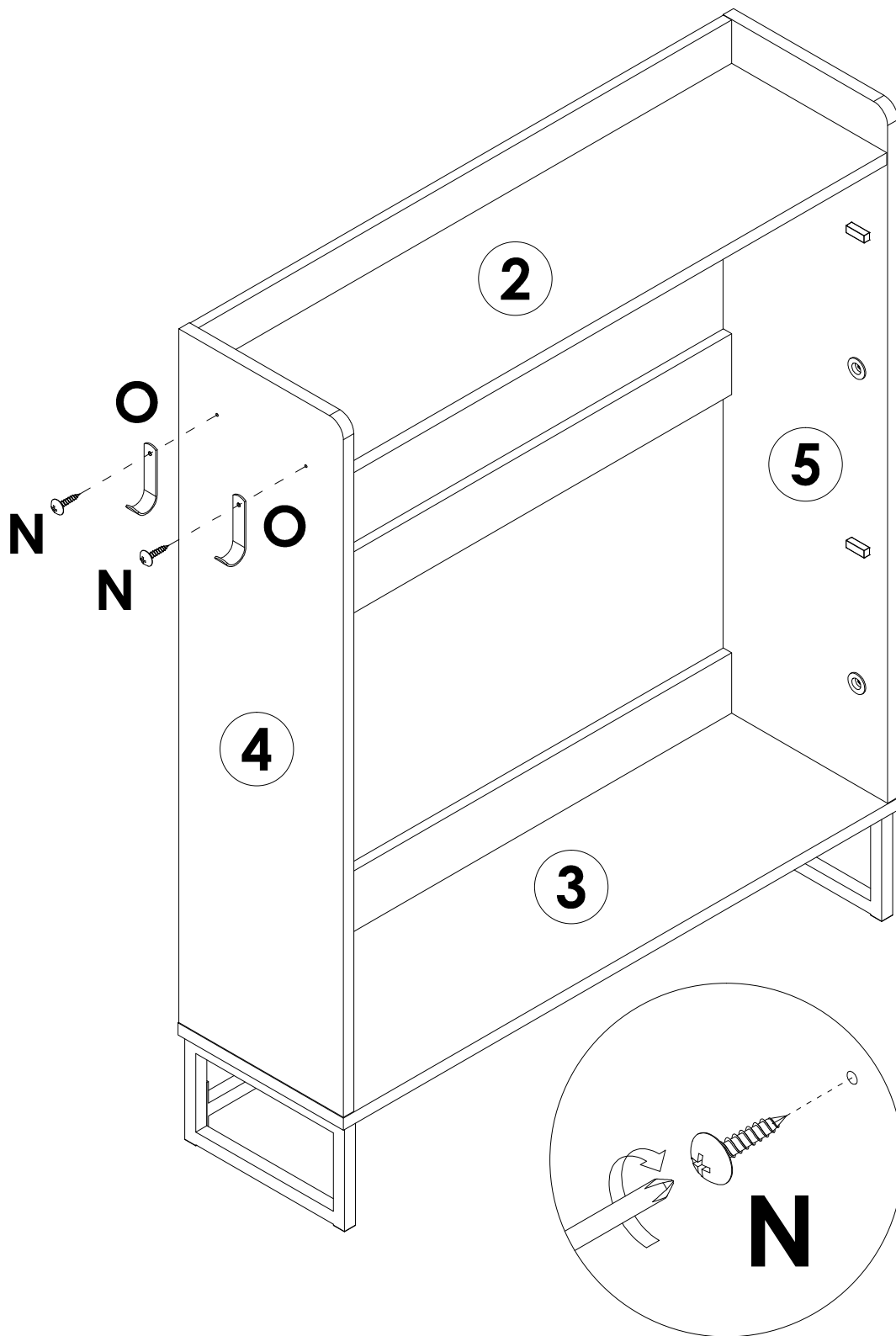
STEP 10

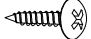
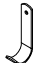


	I x 6PCS
	M x 1PC

Assembly Steps

STEP 11

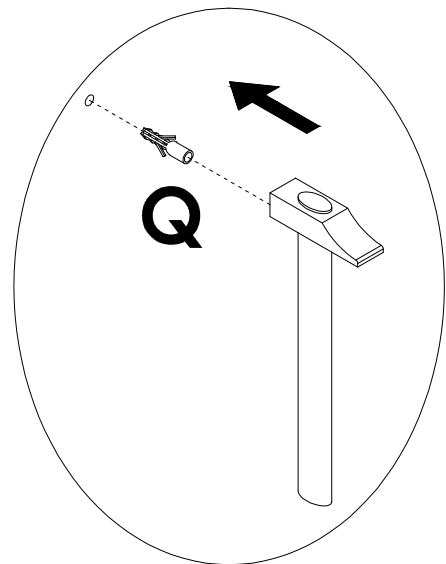
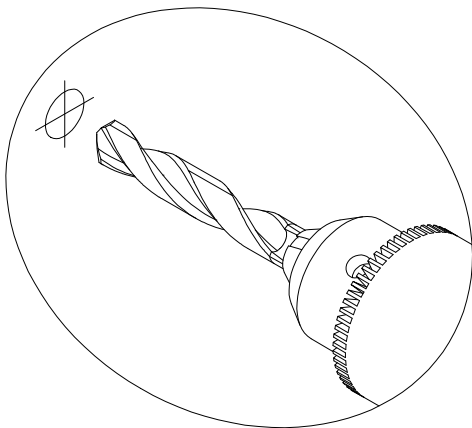


	N x 2PCS
	O x 2PCS

Assembly Steps

STEP 12

WALL

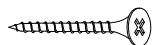
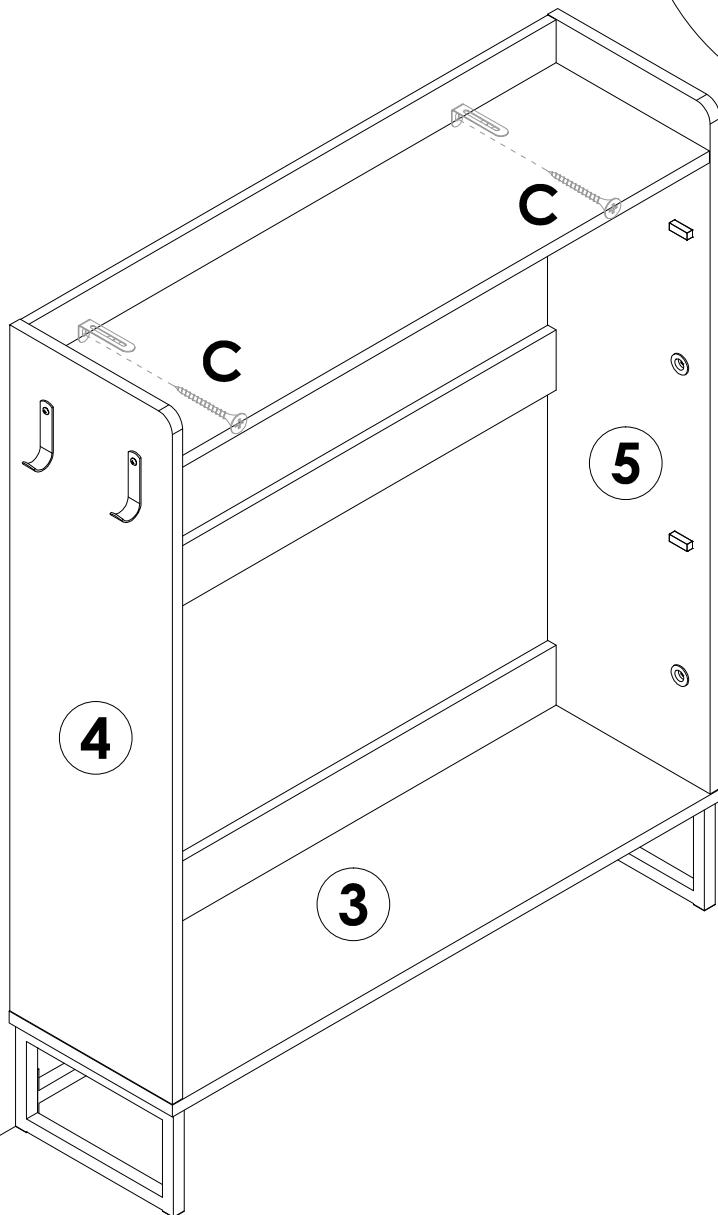
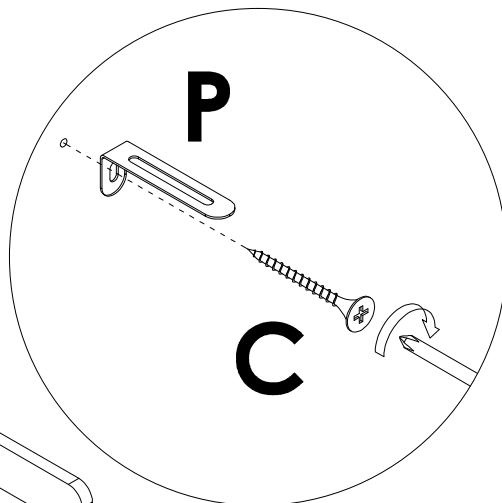


Q x 2PCS

Assembly Steps

STEP 13

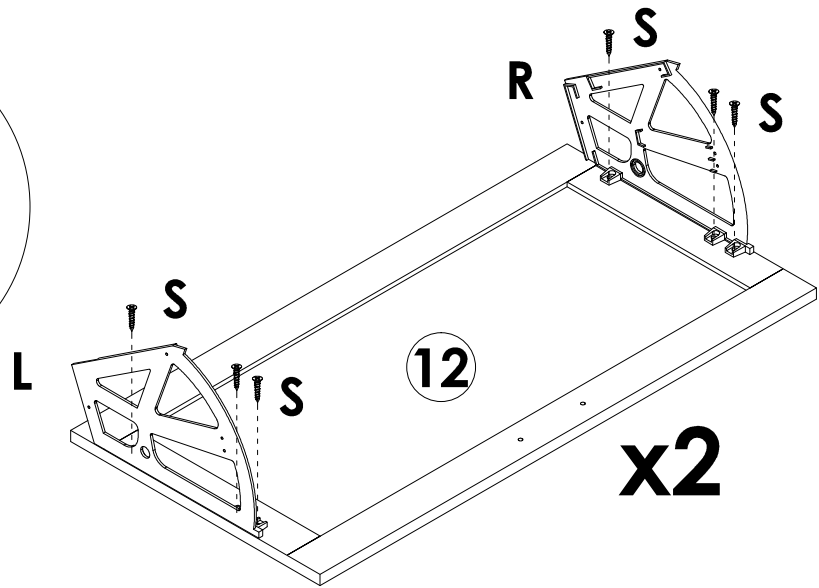
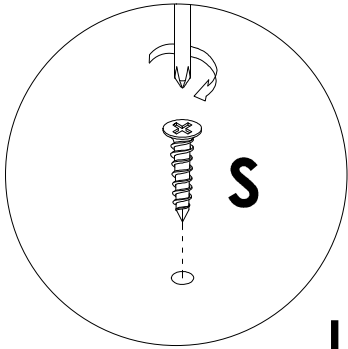
WALL






C x 2PCS

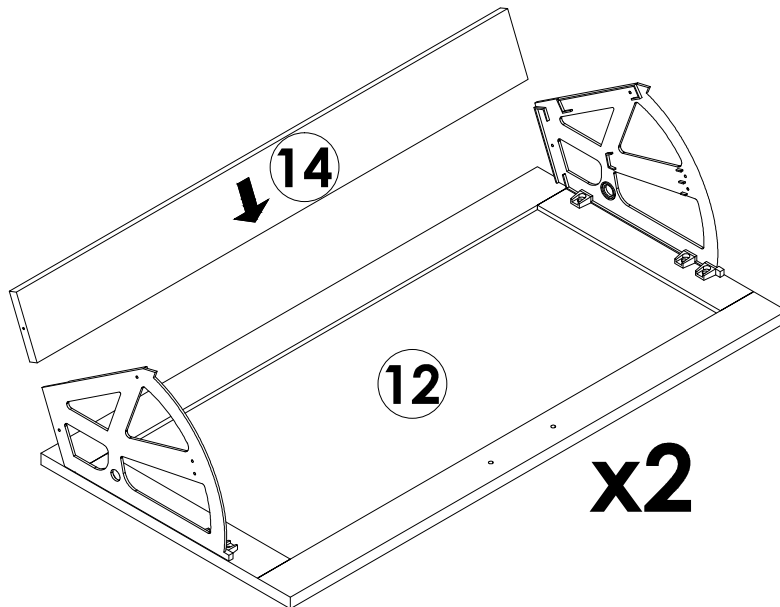
Assembly Steps

STEP 14

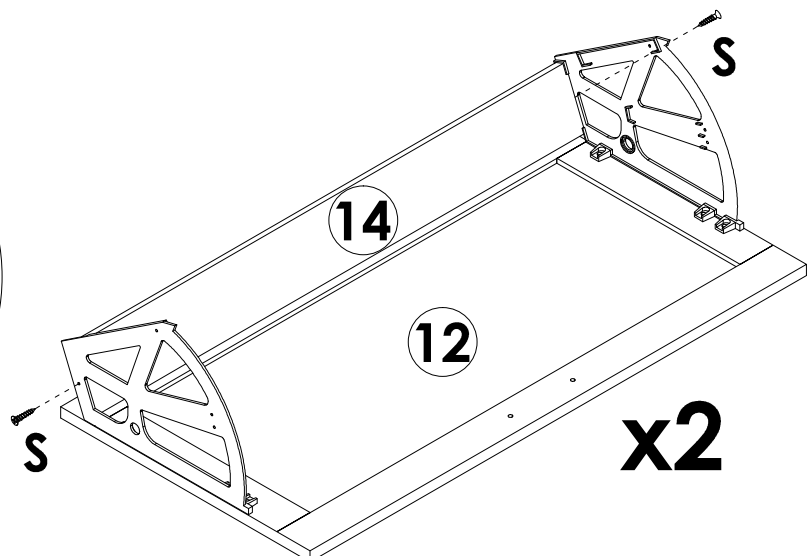
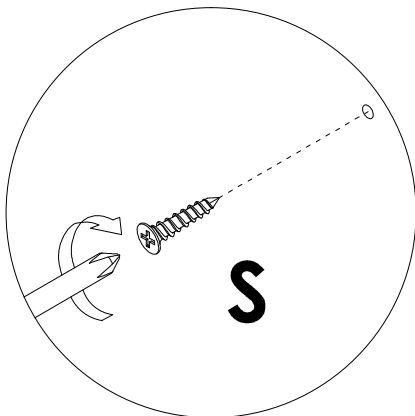



	L x 2PCS
	R x 2PCS
	S x 12PCS

STEP 15



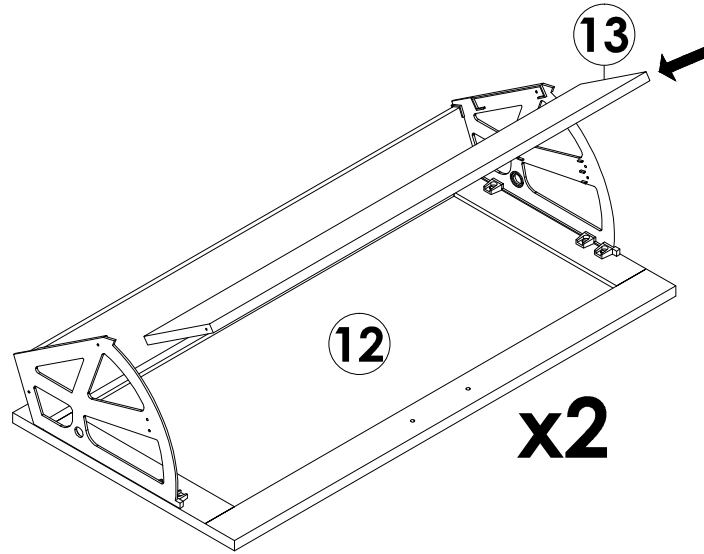
STEP 16



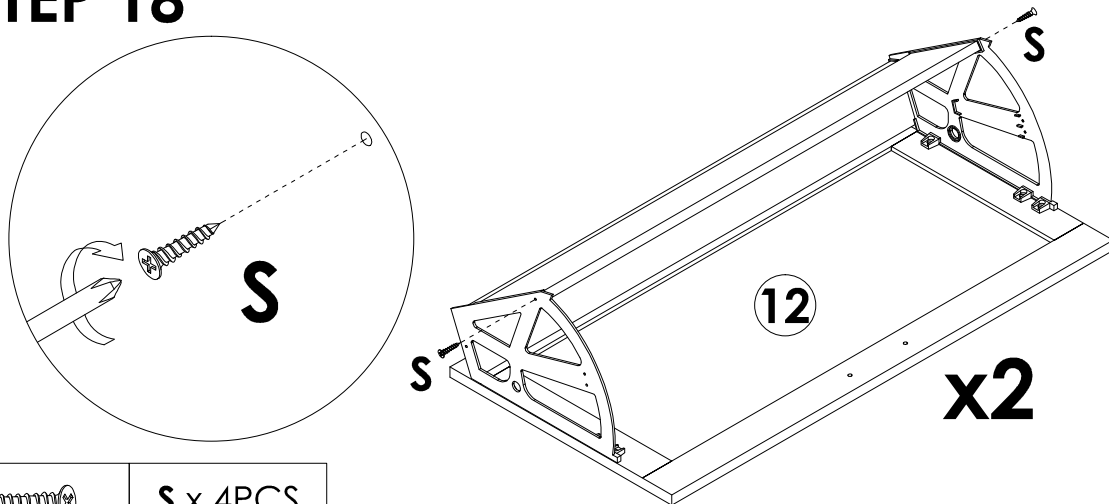
	S x 4PCS
-------------------------------------------------------------------------------------	----------

Assembly Steps

STEP 17

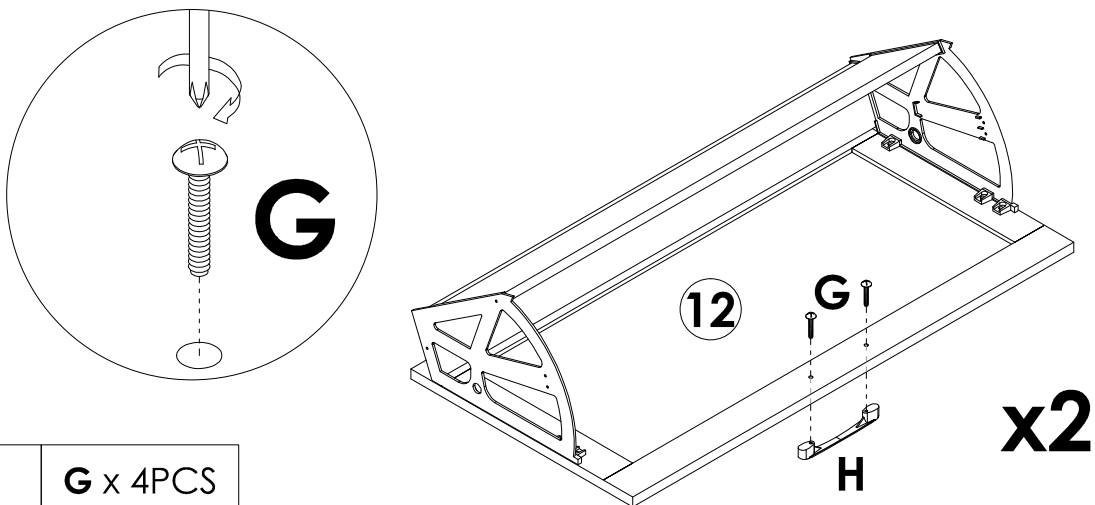


STEP 18



S x 4PCS

STEP 19



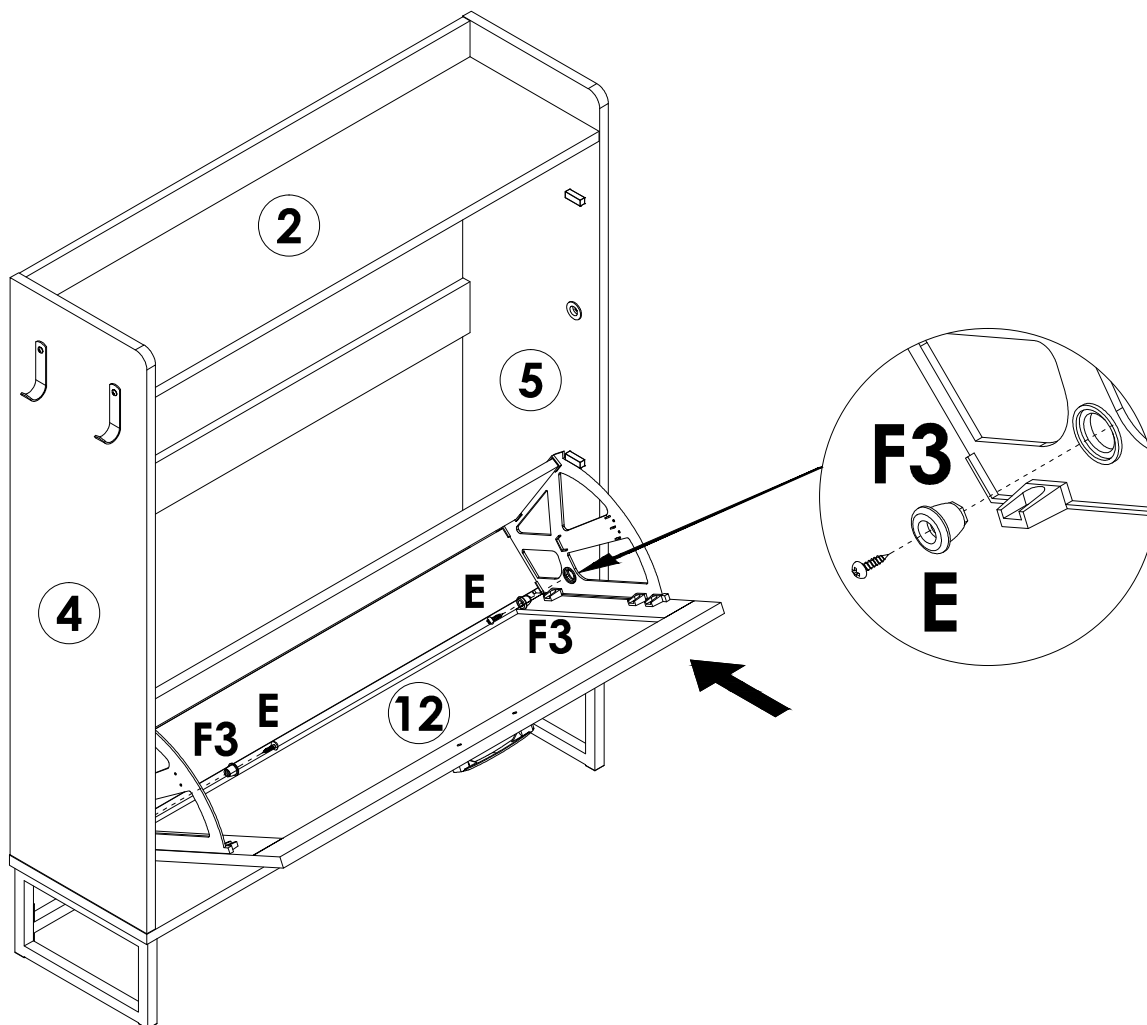
G x 4PCS

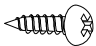



H x 2PCS

Assembly Steps

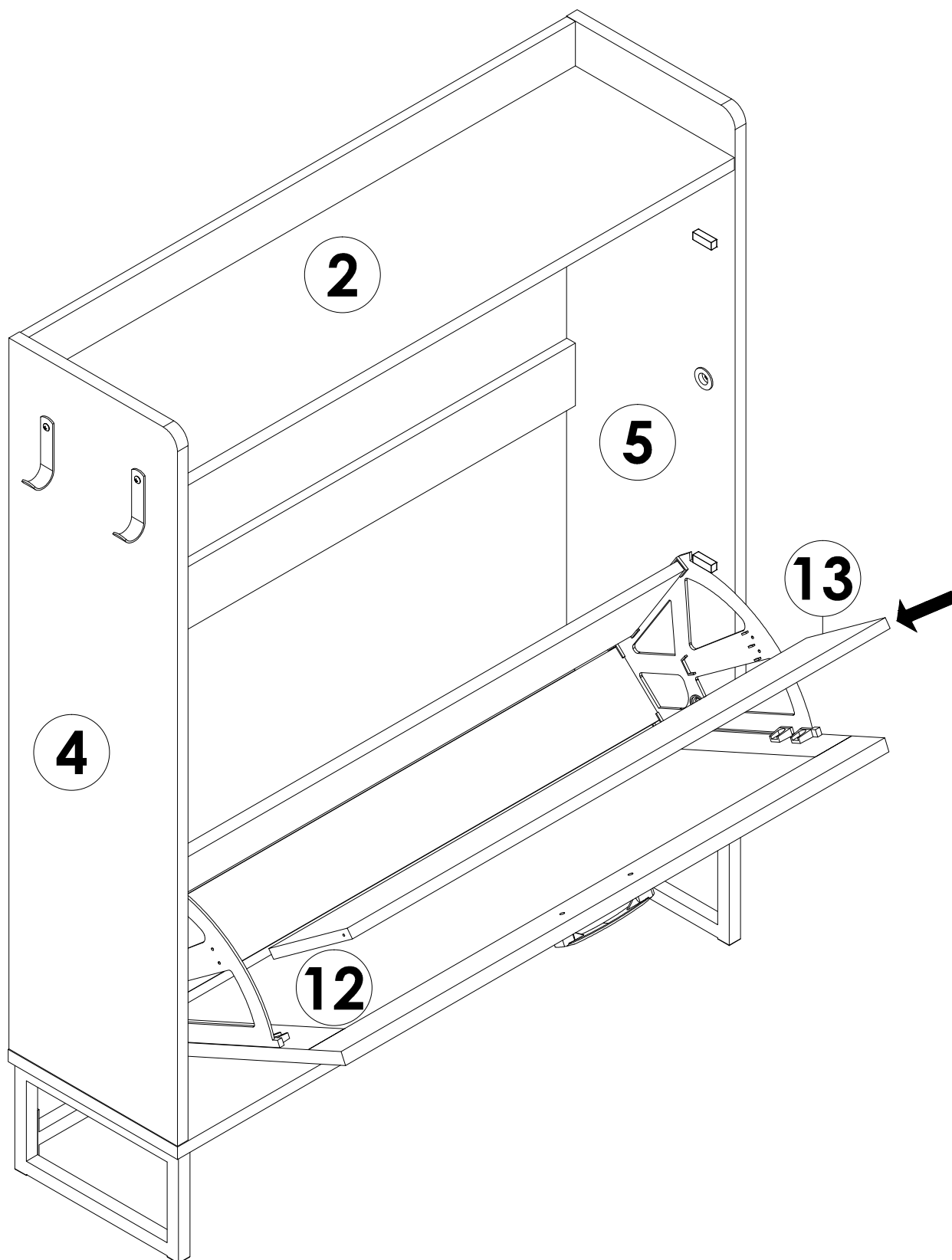
STEP 20



	E x 2PCS
	F3 x 2PCS

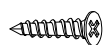
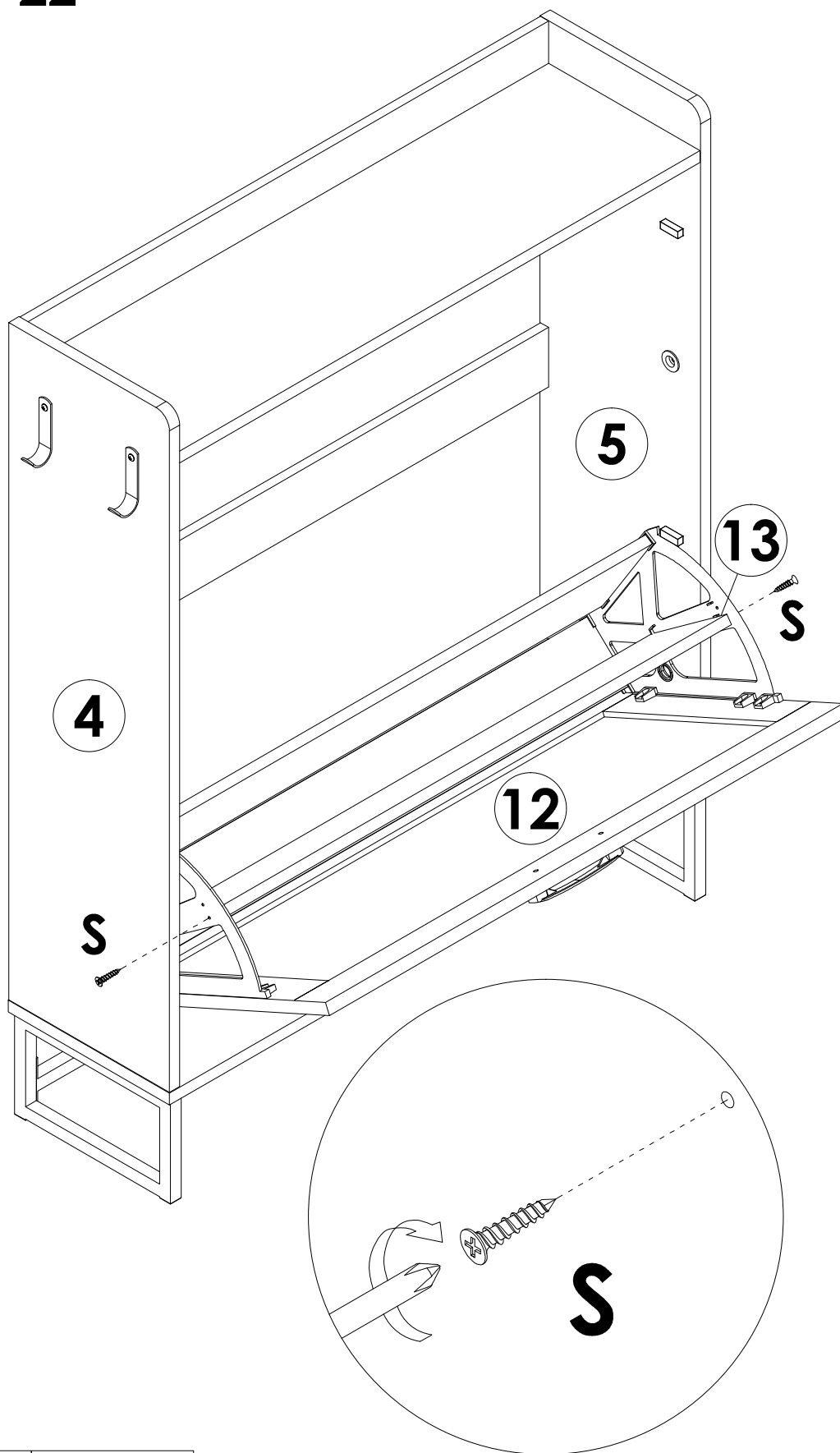
Assembly Steps

STEP 21



Assembly Steps

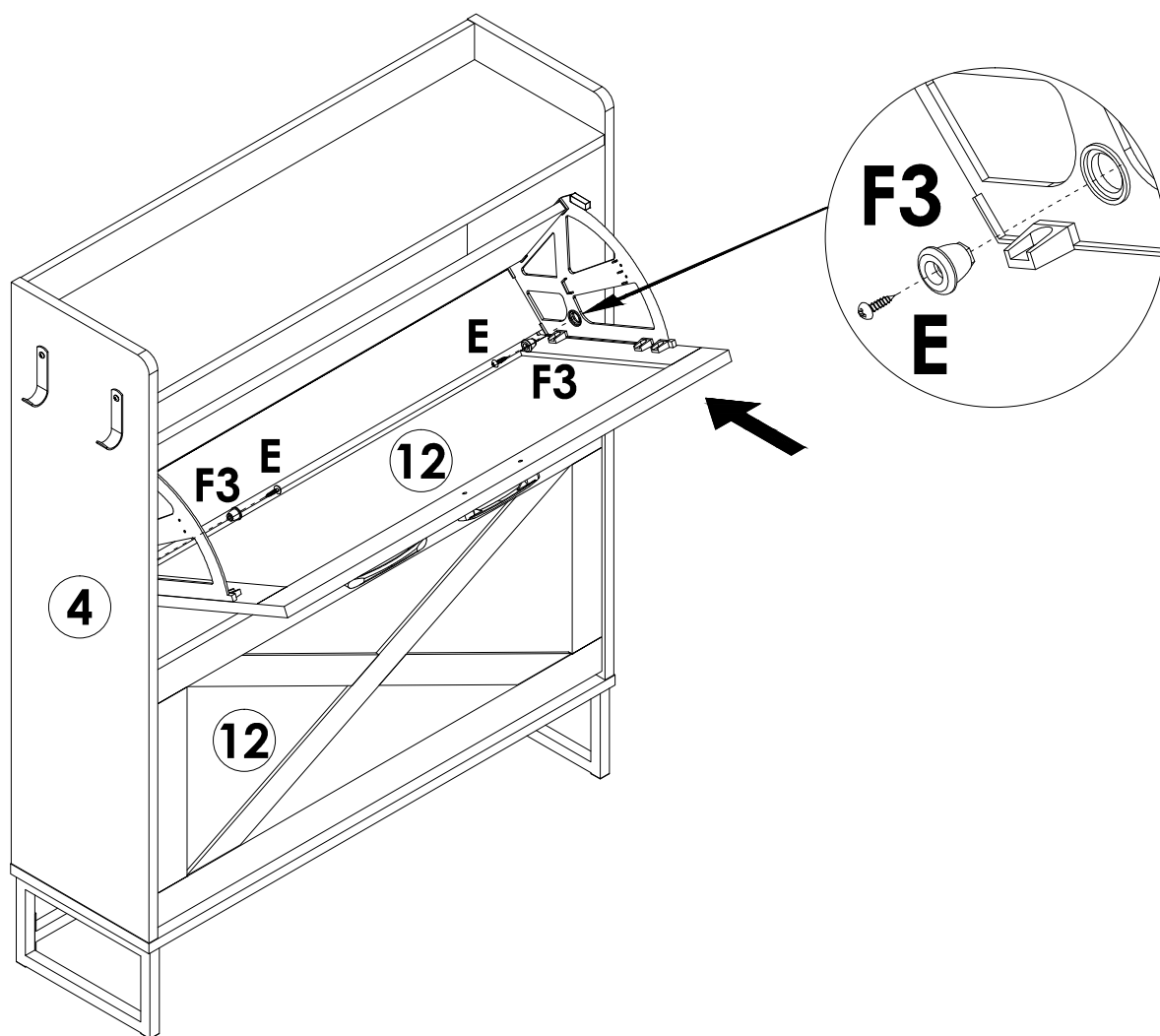
STEP 22

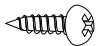



S x 2PCS

Assembly Steps

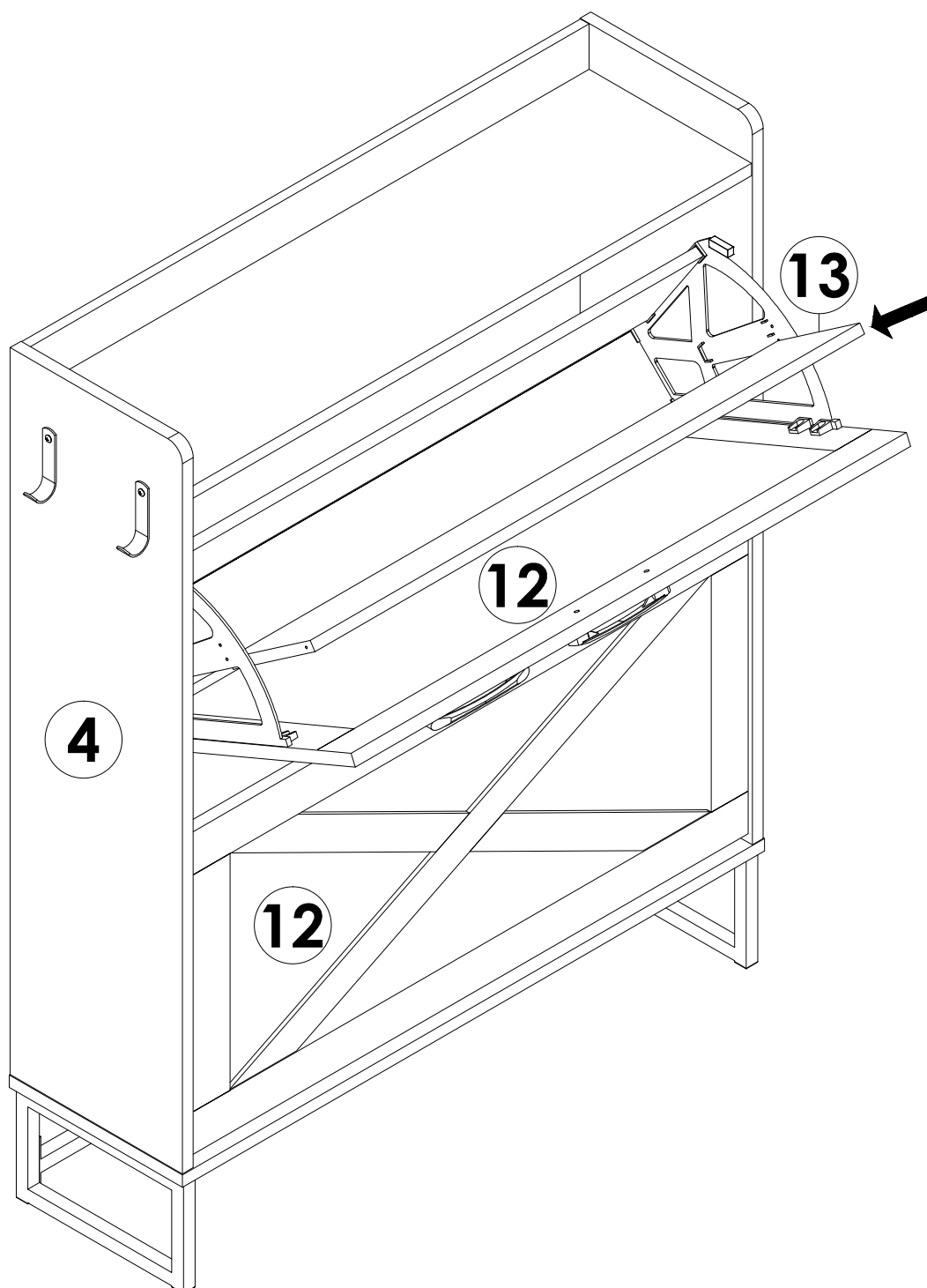
STEP 23



	E x 2PCS
	F3 x 2PCS

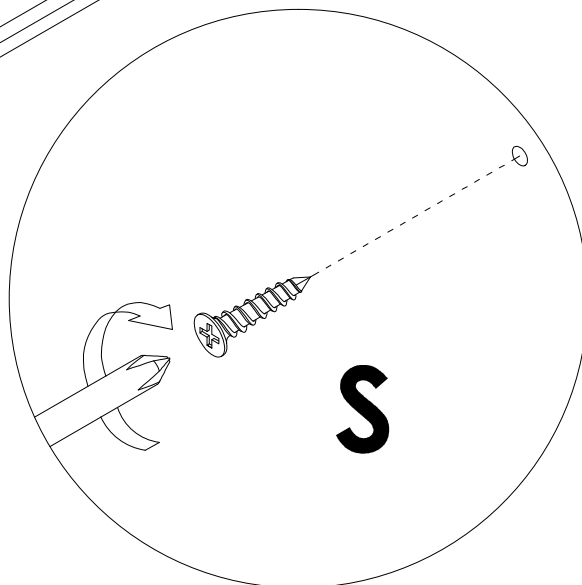
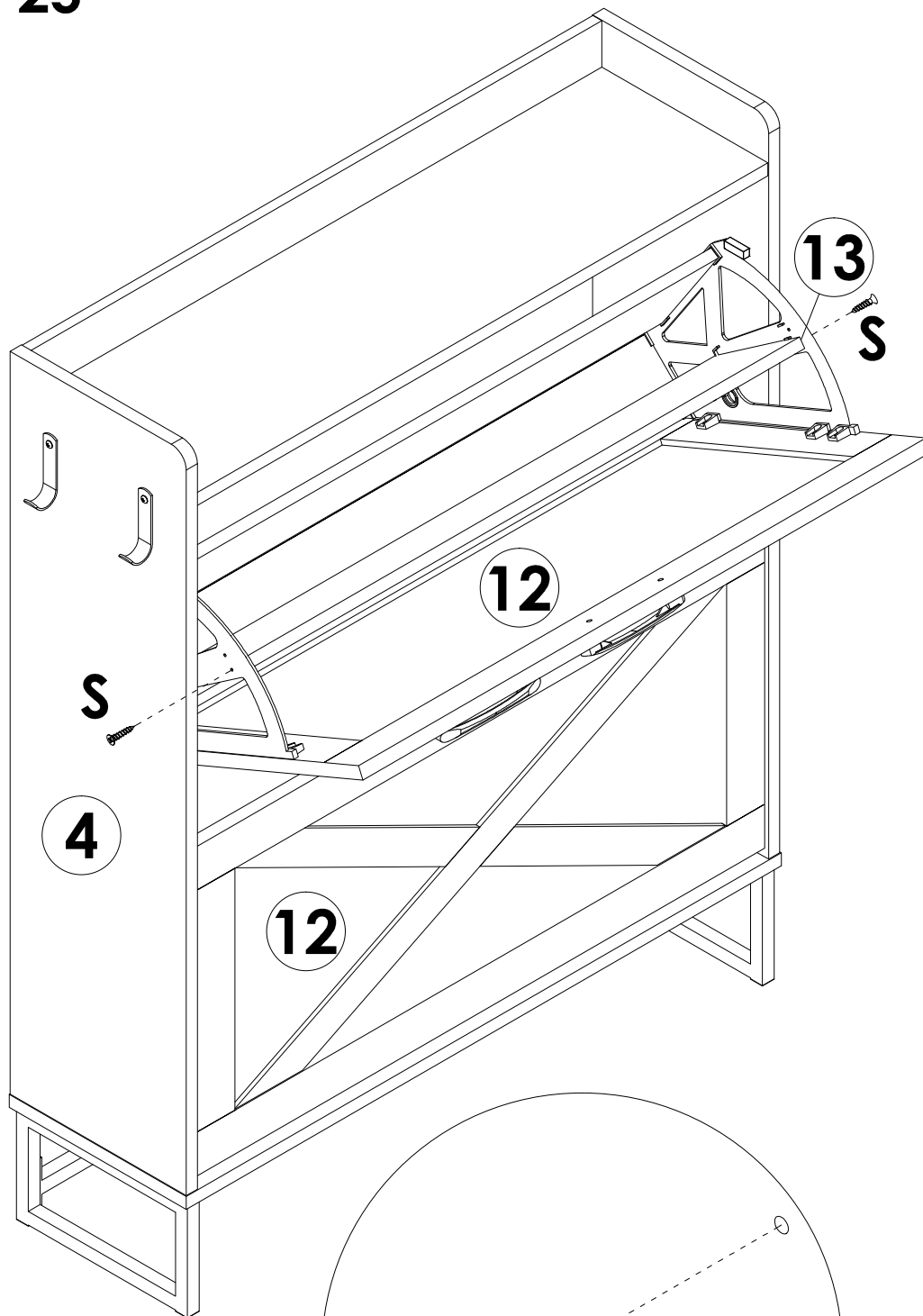
Assembly Steps

STEP 24



Assembly Steps

STEP 25



S x 2PCS

WARNING



Children have died from furniture tipover. To reduce the risk of furniture tipover:

- **ALWAYS** install Anti-tip device provided.
- **NEVER** put a TV on this product.
- **NEVER** allow children to stand, climb or hang on any drawers, doors, or shelves.
- **NEVER** open more than one drawer at a time.
- Place heaviest items in the lowest drawers.

***This is a permanent label.
Do not remove!***