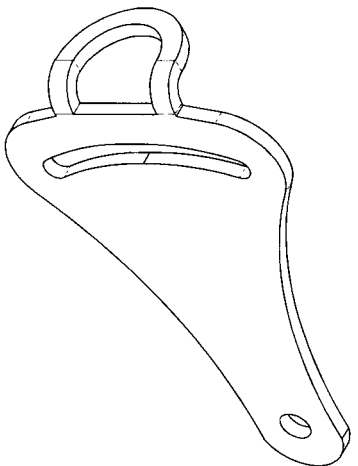


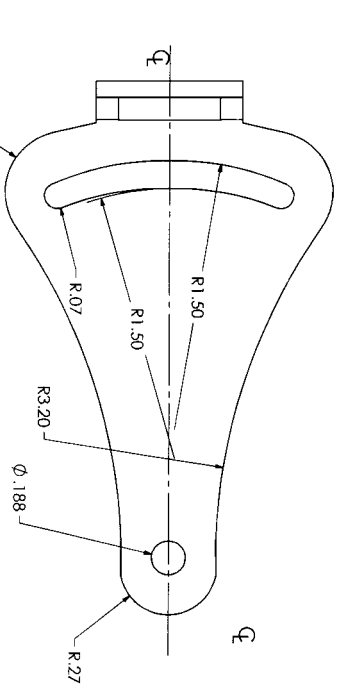
# QG.1307.01 Latch Plate

8 7 6 5 4 3 2 1

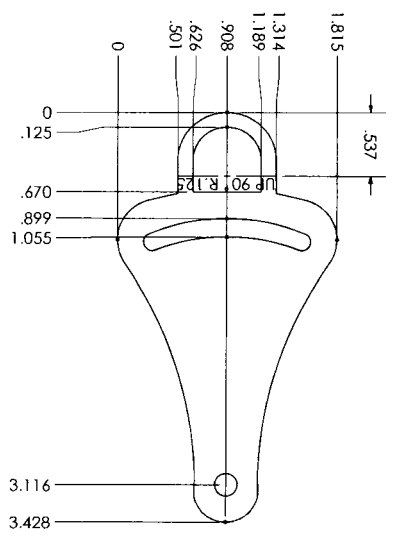
REV	DESCRIPTION	DATE	APPROVED
1			



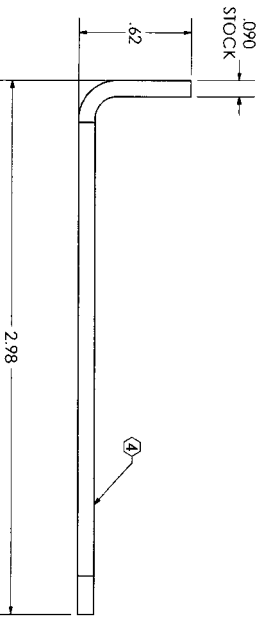
D



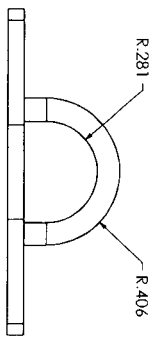
C



D



B



B

NOTES