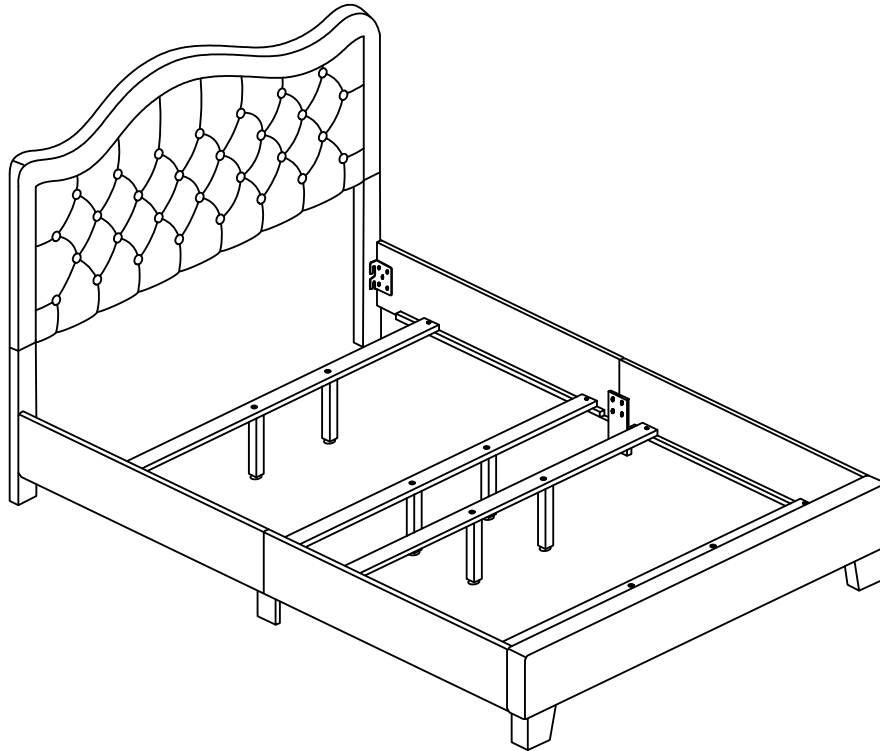




ALTON FURNITURE GROUP

A RENOWNED NAME
— FURNISH A BETTER LIFE —



Item: A3F / A3Q

Quality statement

Alton Furniture Group appreciates your selection of our product. Through our detailed quality checks, we ensure that each box contains exceptional components that will exceed your expectations.

Customer Service

If your order has missing parts or defective items or if you have any questions, please do not hesitate to contact our customer service department at 1-866-558-0211 between 8:00am to 5:00pm (PDT), Monday through Friday, or email us at info@altonfurniture.com

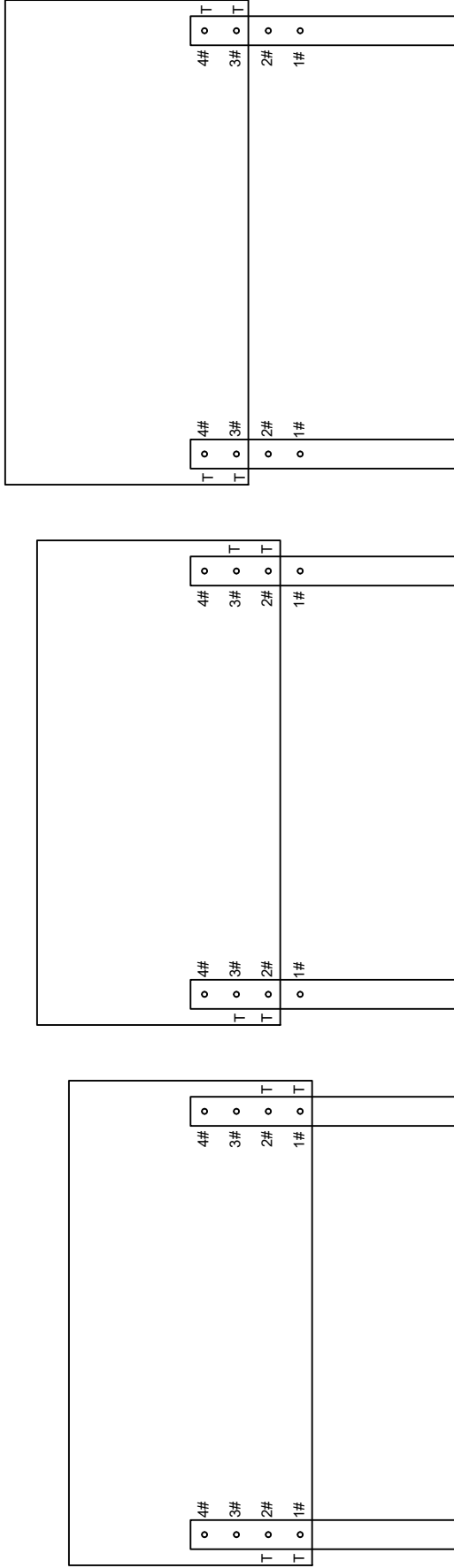
Care Instructions

Please follow the instructions provided below for proper care of your product. Following these tips will ensure your furniture's high-standard quality remains as it ages

- Vacuum regularly to eliminate dust as they can be abrasive and wear the furniture prematurely
- Never use harsh chemicals or solvents as this may damage the finish
- Limit contact with liquids as this may damage the finish
- Bolt spills immediately to prevent staining. If necessary, gently wipe using a clean cloth dampened with warm water. Proceed to brush lightly after drying
- If you choose to use a professional product, test the fabric in a discreet area for any signs of defect
- Stains from markers, pens, crayons, and pens may be difficult to remove. We recommend that you consult a professional

IMPORTANT !

Please check the thickness of your mattress and box spring before proceeding.



BOX Spring +Mattress	Adjustable Headboard Height
10"	T match 1#
14"	T match 2#
18"	T match 3#
22"	T match 4#

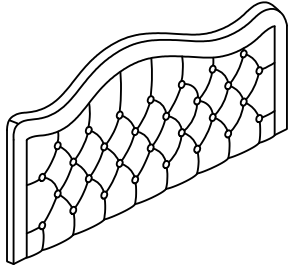
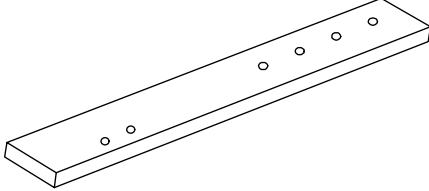
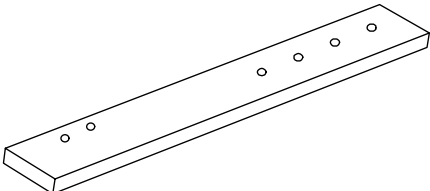
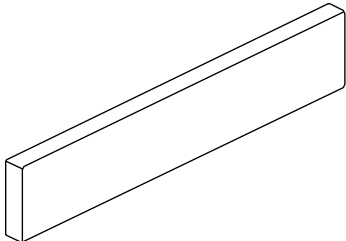
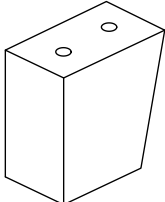
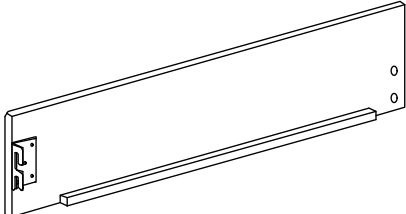
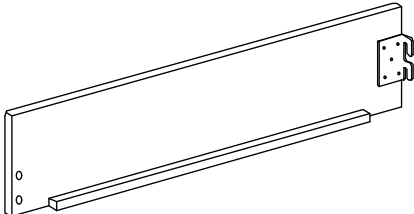
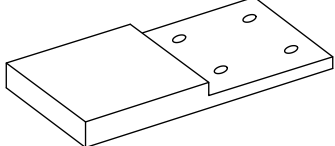
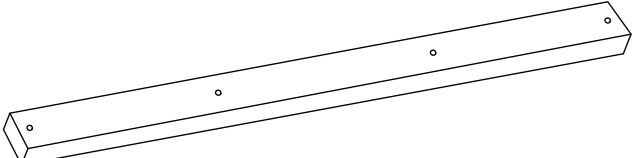



ALTON FURNITURE GROUP

A RENOWNED NAME
FURNISH A BETTER LIFE

PARTS LIST

PLEASE CHECK TO ENSURE ALL PARTS ARE IN THE BOX

A		1PC		L		1PC	
Headboard Panel				Left Headboard Leg			
							
R		1PC		B		1PC	
Right Headboard Leg		Footboard Panel		C		2PCS	
							
D		2PCS		E		2PCS	
Side Rails		Side Rails		F		2PCS	
							
G		4PCS		H		8PCS	
Slats				Support Legs			
							



ALTON FURNITURE GROUP

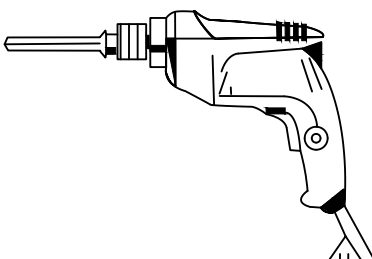
A RENOWNED NAME
FURNISH A BETTER LIFE

HARDWARE LIST

PLEASE CHECK TO ENSURE ALL PARTS ARE IN THE BOX

①	24PCS	②	4PCS		
Allen Bolts Ø 5/16" x 1 1/8"		Allen Bolts Ø 5/16" x 2"			
③	8PCS	④	2PCS	⑤	2PCS
Screw F4 x 1 1/4"		Allen Bolts Ø 5/16" x 2 1/4"		Wood Dowel Ø5/16" x 1 1/8"	
⑥	12PCS	⑦	12PCS	⑧	1PC
Spring Washers Ø 5/16" x 9/16"		Flat Washers Ø 5/16" x 3/4"		Allen Wrench M5 x 2 1/2"	

This page lists all contents included in the box. Please take the time to identify the hardware, as well as, the individual components to this product. As you unpack and prepare for assembly, place the contents on a well-padded area to protect them from damage.



Electric drill (not included) is recommended to tighten the wood screws



ALTON FURNITURE GROUP

A RENOWNED NAME
FURNISH A BETTER LIFE

IMPORTANT !!

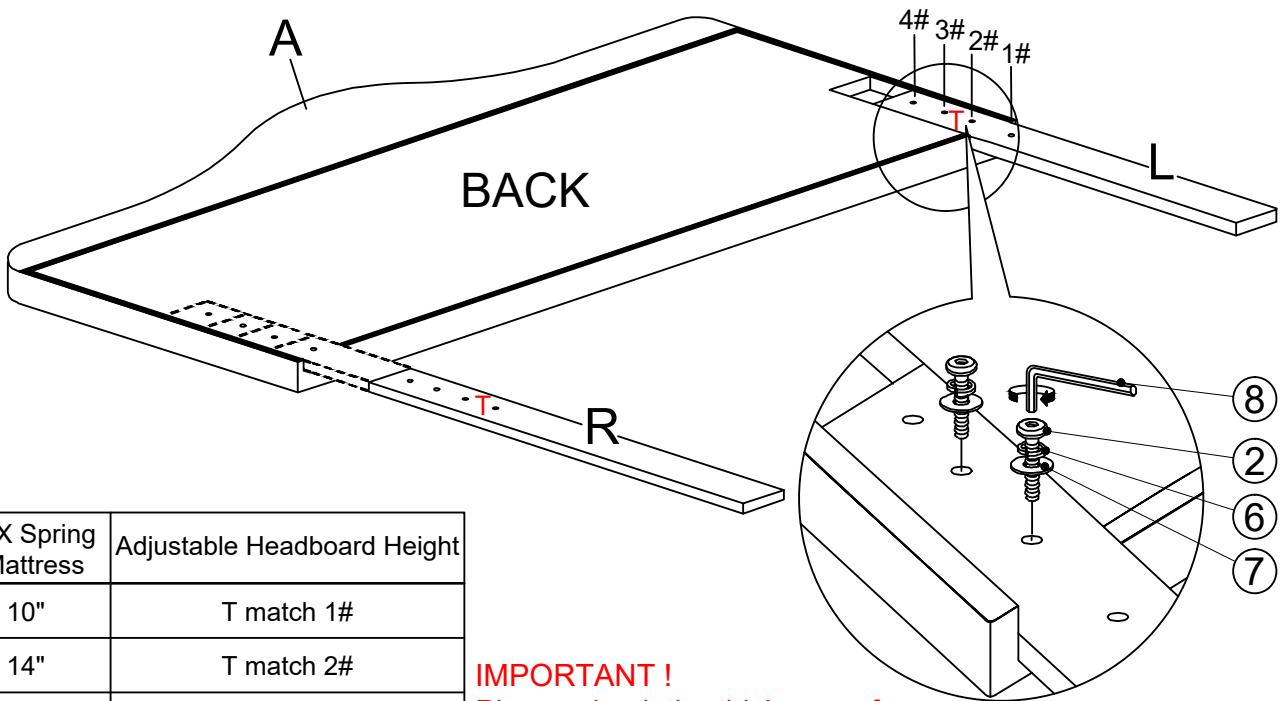
Tips:

****Please check the thickness of your mattress and box spring before proceeding.**

1)

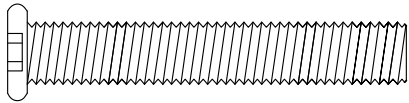

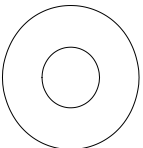

Assemble the Headboard Panel (A) and the Legs (R & L).

(DO NOT FULLY TIGHTEN BOLTS AT THIS STEP.)



BOX Spring +Mattress	Adjustable Headboard Height
10"	T match 1#
14"	T match 2#
18"	T match 3#
22"	T match 4#

IMPORTANT !
Please check the thickness of your mattress and box spring before proceeding.

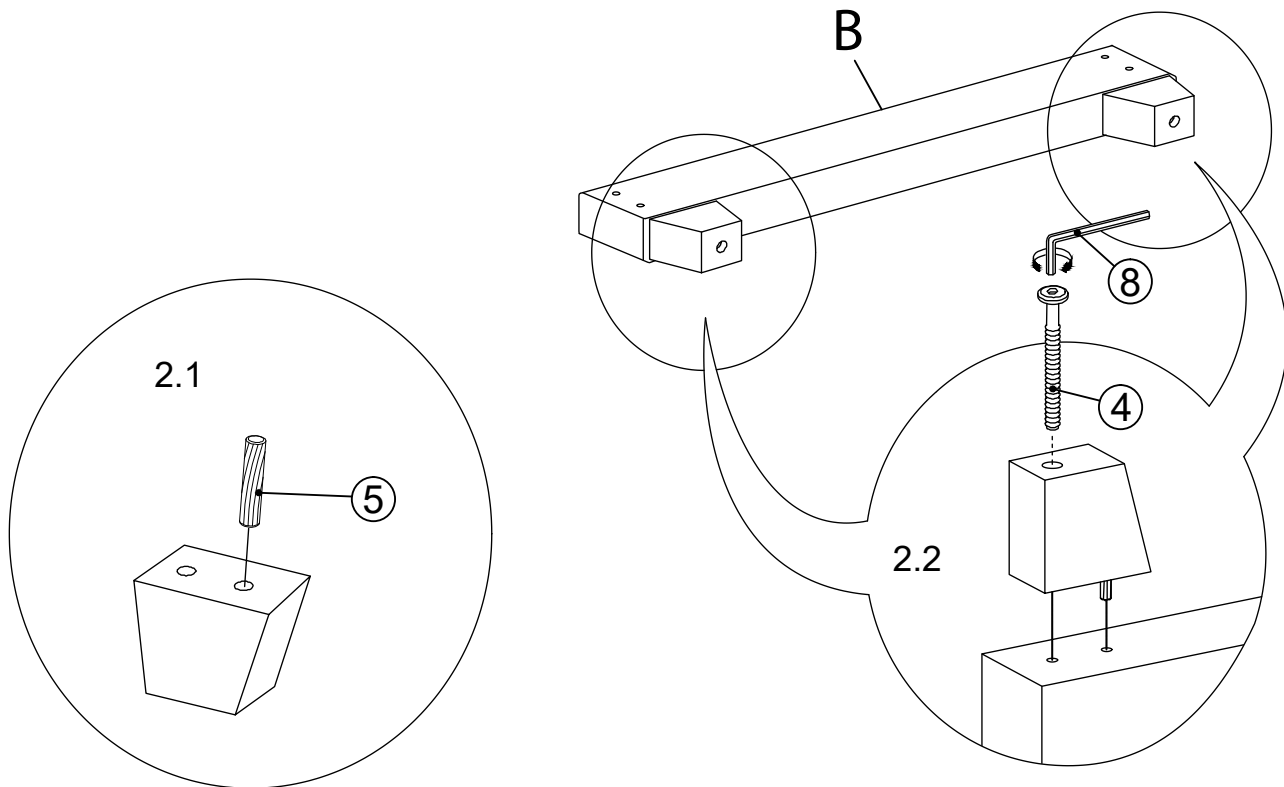
②	4PCS	⑥	4PCS
Allen Bolts Ø 5/16" x 2"		Spring Washers Ø 5/16" x 9/16"	
			
⑦	4PCS	⑧	1PC
Flat Washers Ø 5/16" x 3/4"		Allen Wrench M5 x 2 1/2"	
			



ALTON FURNITURE GROUP

A RENOWNED NAME
— FURNISH A BETTER LIFE —

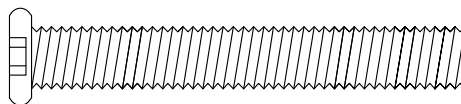
2)
Assemble the Footboard (B) & Feet (C).



④

2PCS

Allen Bolts Ø 5/16" x 2 1/4"



⑤

2PCS

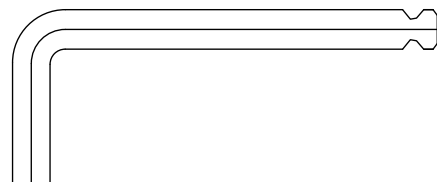
Wood Dowels Ø5/16" x 1 1/8"



⑧

1PC

Allen Wrench M5 x 2 1/2"

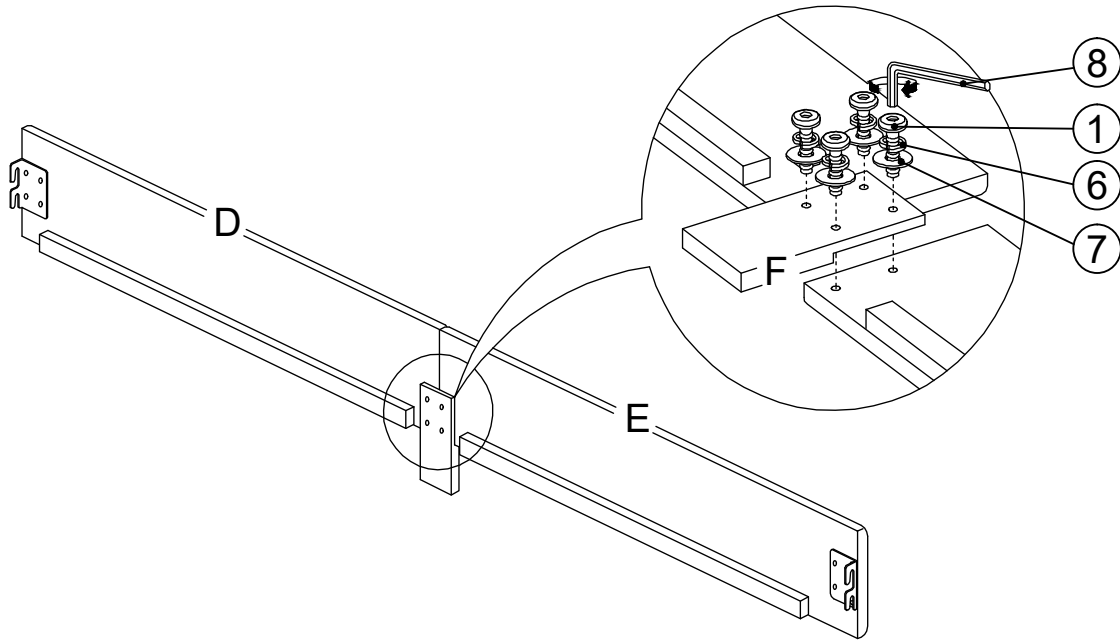


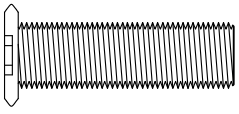

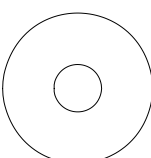
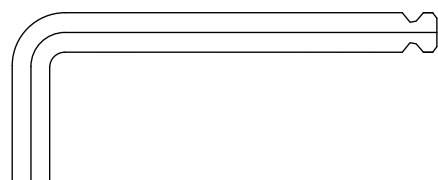


ALTON FURNITURE GROUP

A RENOWNED NAME
FURNISH A BETTER LIFE

3)
Join side rail (D) and (E) together with the side rail support legs (F).



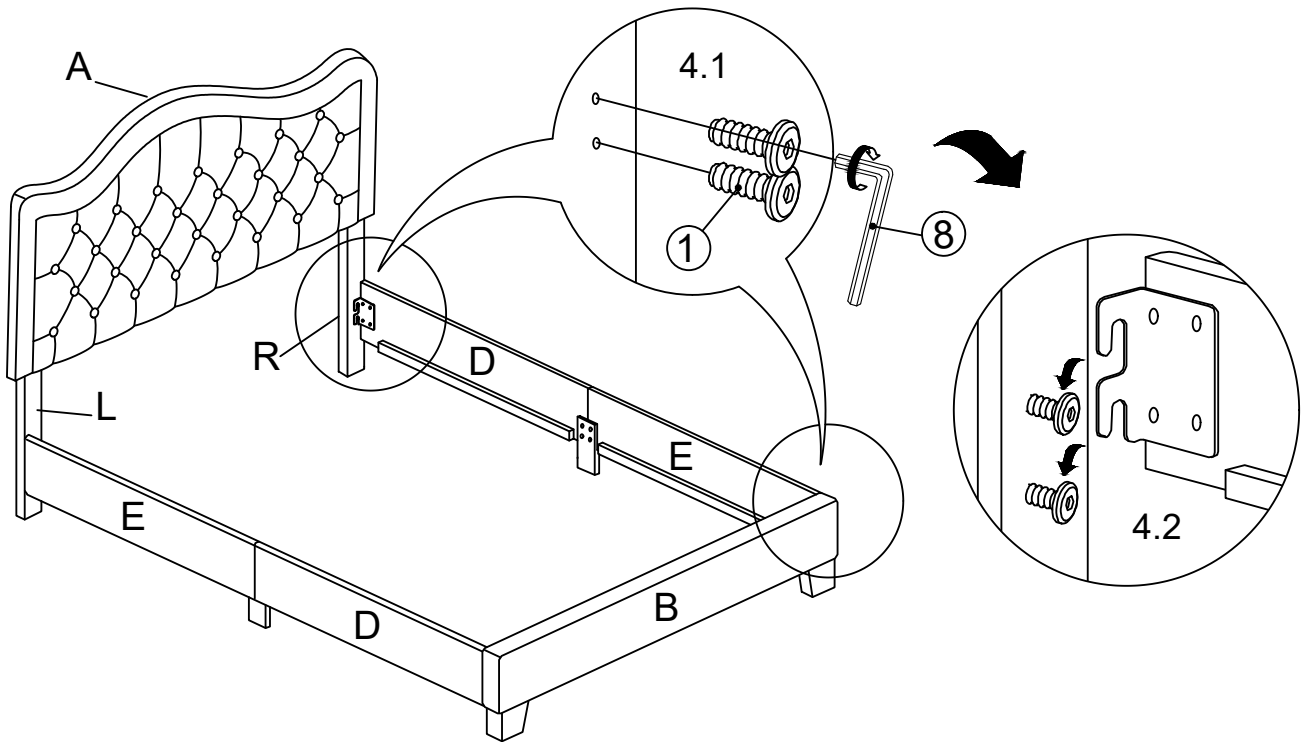
①	8PCS	⑥	8PCS
Allen Bolts Ø 5/16" x 1 1/8"		Spring Washers Ø 5/16" x 9/16"	
			
⑦	8PCS	⑧	1PC
Flat Washers Ø 5/16" x 3/4"		Allen Wrench M5 x 2 1/2"	
			

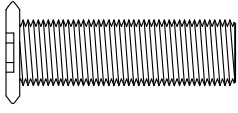
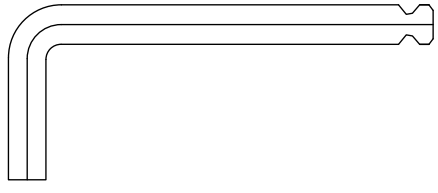


ALTON FURNITURE GROUP

A RENOWNED NAME
FURNISH A BETTER LIFE

4)
Attach loosely hardware (1) to the Headboard Legs (L) &(R) and Footboard (B). Then attach Side Rail (D) & (E) to the Headboard Legs and Footboard by pushing the bracket down, ensuring it locks into hardware (1).



①	8PCS	⑧	1PC
Allen Bolts Ø 5/16" x 1 1/8"		Allen Wrench M5 x 2 1/2"	
			

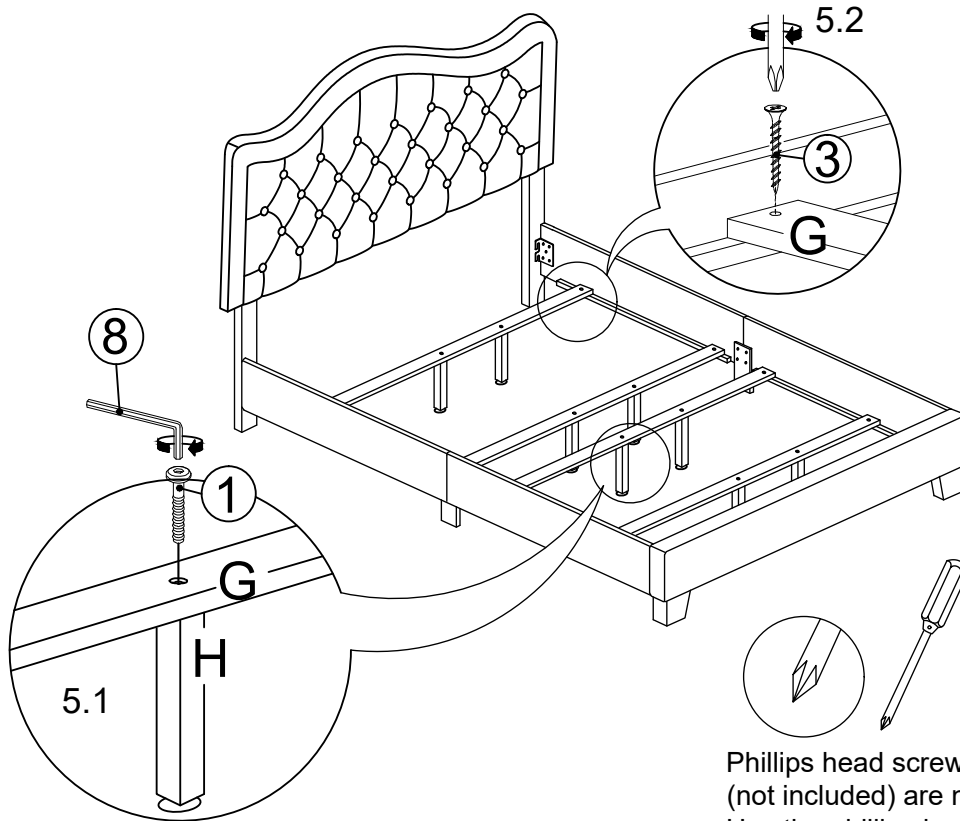


ALTON FURNITURE GROUP

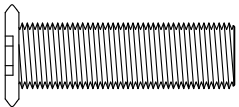
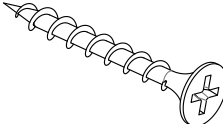

A RENOWNED NAME
FURNISH A BETTER LIFE

5)

Attach the Support Legs (H) to Slat (G). Then attach Slat (G) to Side Rail (D) & (E). Tighten all bolts once the bed is level.



Phillips head screwdriver / Electric drill (not included) are necessary for assembly
Use the phillips head screwdriver to tighten the wood screw

①	8PCS	③	8PCS
Allen Bolts Ø 5/16" x 1 1/8"		Screw F4 x 1 1/4"	
			
⑧	1PC		
Allen Wrench M5 x 2 1/2"			
			

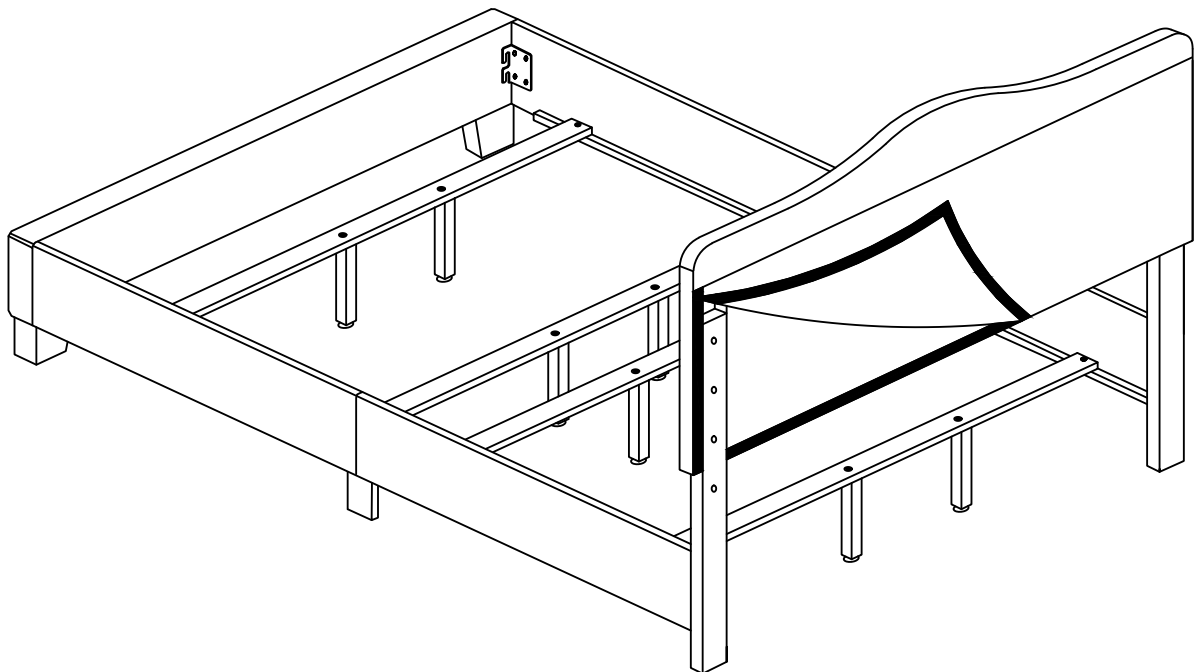


ALTON FURNITURE GROUP

A RENOWNED NAME
— FURNISH A BETTER LIFE —

6)

Adjust the unit to be evenly aligned, then secure all bolts tightly.
Close the fabric lining behind the headboard.





ALTON FURNITURE GROUP

A RENOWNED NAME
— FURNISH A BETTER LIFE —

