

# INSTRUCTION MANUAL



PF-75	1524X1524MM	60"X60"
	1219X1930MM	48"X76"
	1524X1930MM	60"X76"



Need 2 person

Please keep this manual and product code number for future reference and for ordering replacement parts if necessary.

---

## GENERAL INSTRUCTIONS

Read this manual carefully and completely before proceeding.

.It is recommended that you wear safety glasses at all times during the installation.

## INSTALLATION OVER CERAMIC TILES

If your shower door is to be installed over ceramic tiles, the tiles should lay completely under the wall jamb. Silicone should be used to seal the gap where the ceramic tiles meet the fixed panel.

## NOTICE

.Caulking: no sealant is required inside the shower, unless otherwise stated.

.Some models are equipped with clear sealing gaskets.

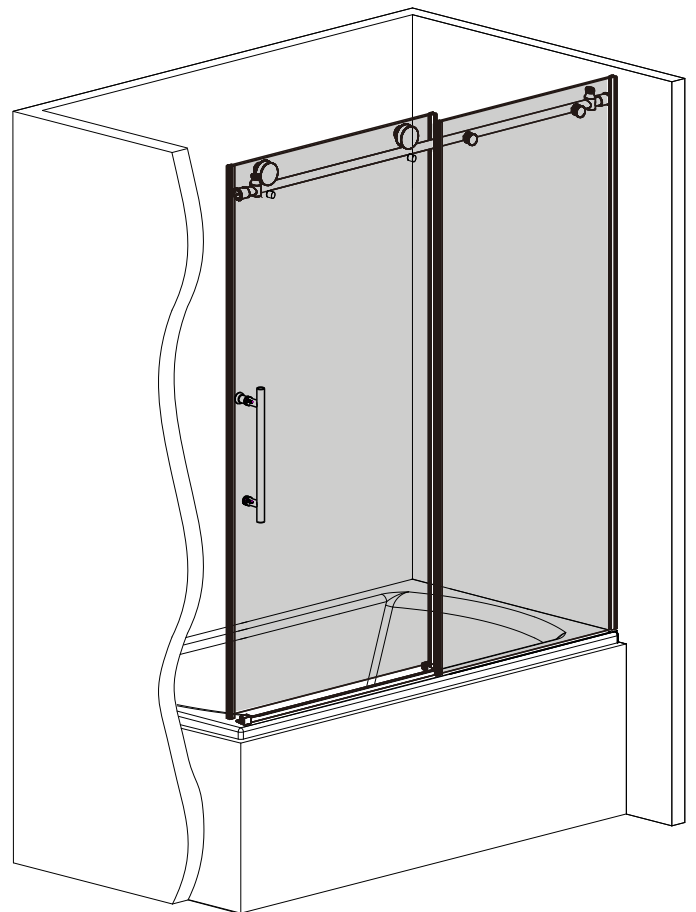
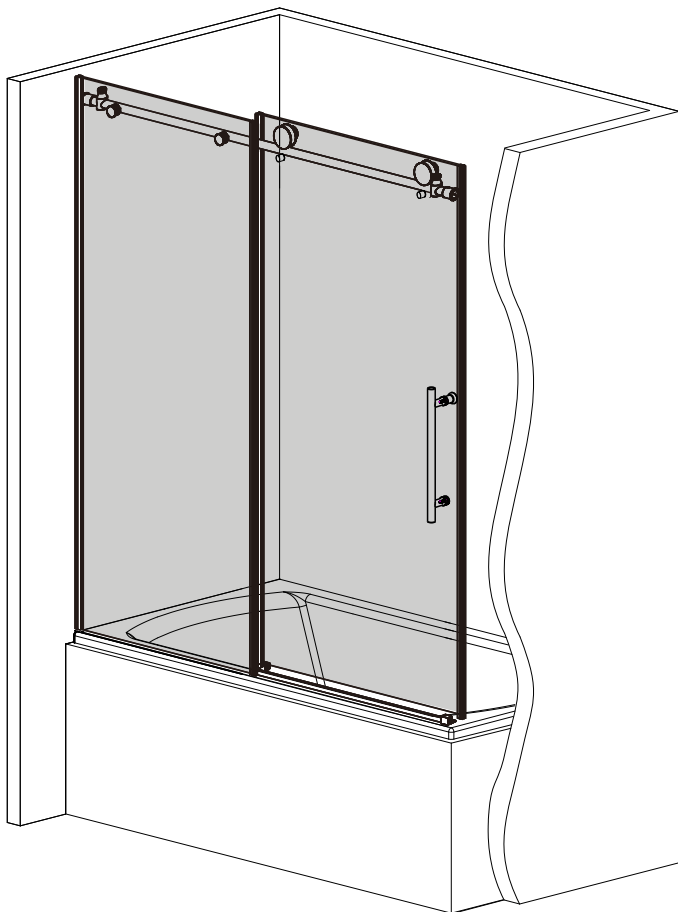
## CARE FOR YOUR SHOWER DOOR

Never use scouring powder pads or sharp instruments on metal pieces or glass panels.

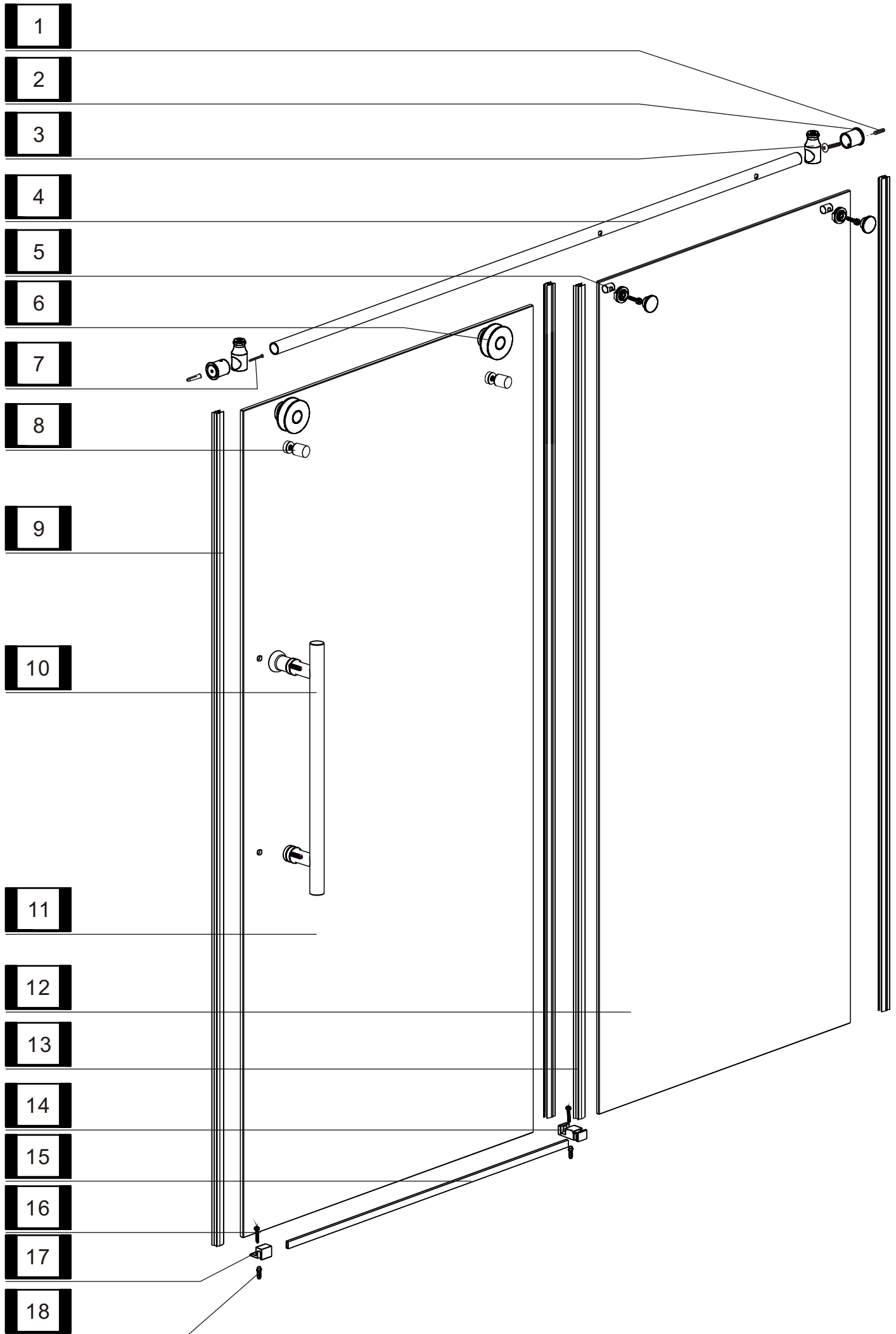
An occasional wiping down with a mild soap diluted in water is all that is needed to keep the panels and aluminum parts looking new.

.We recommend wiping the glass panels with a squeegee after each use.

# CHOOSE CONFIGURATION

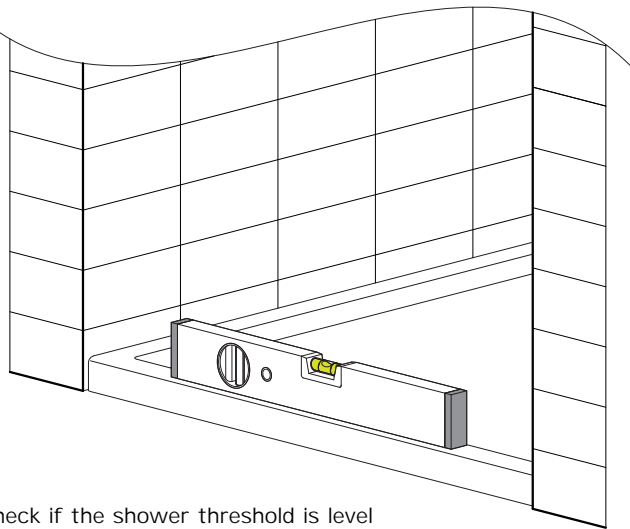


# PARTS LISTING

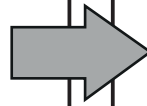
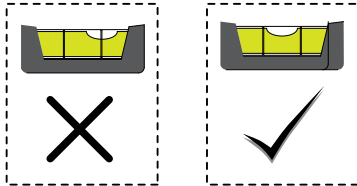




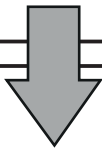
1



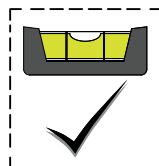
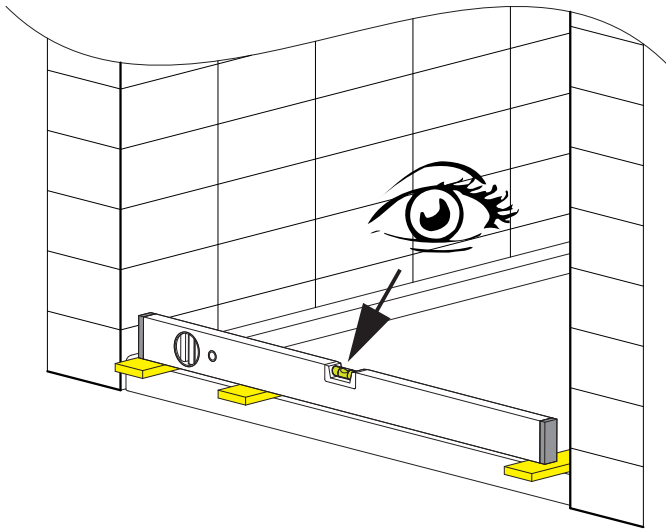
Check if the shower threshold is level using a spirit level or straightedge. If necessary, adjust the threshold until it is perfectly level



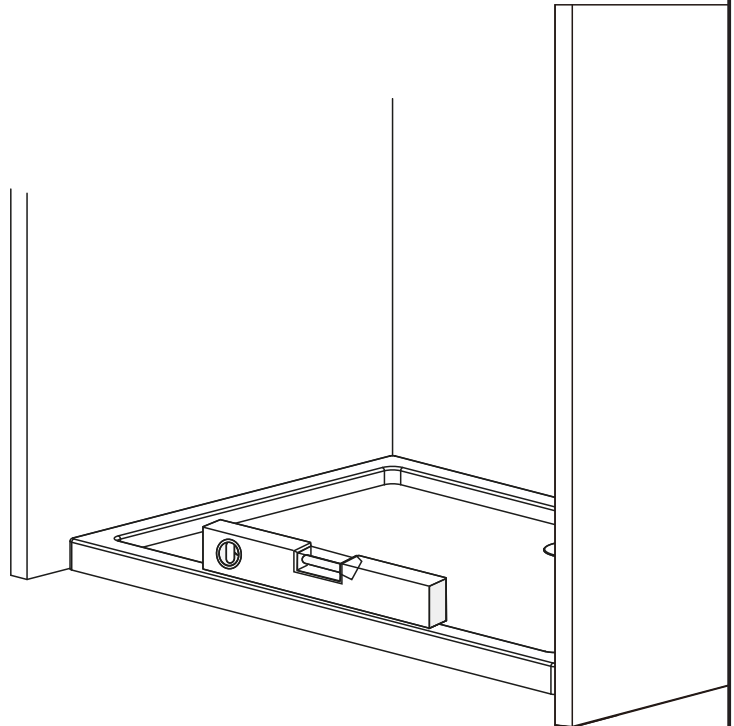
If it is not level, adjust the threshold until it is perfectly level.



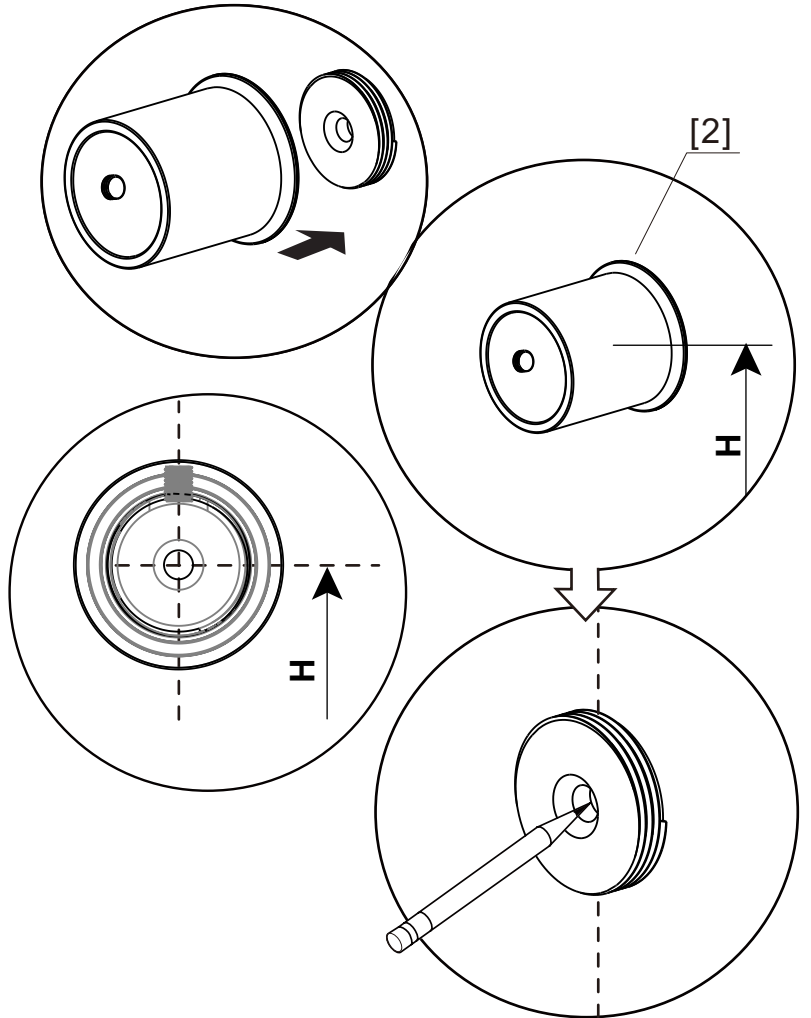
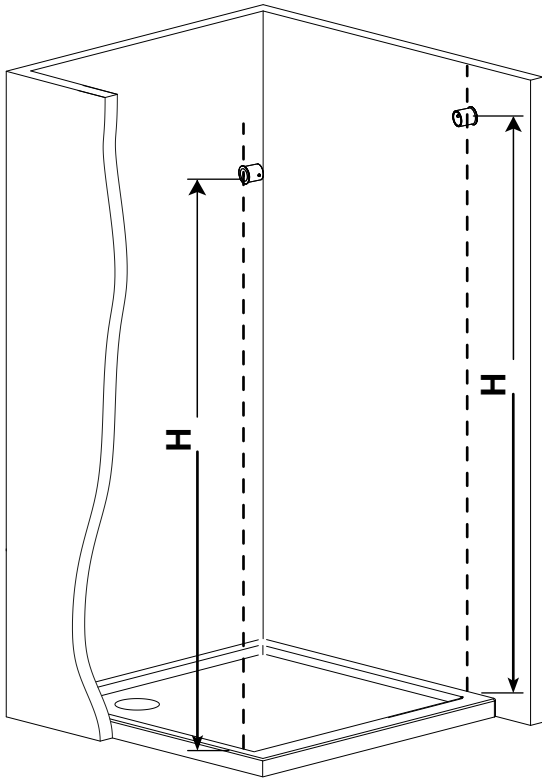
1.1



The threshold must be perfectly level

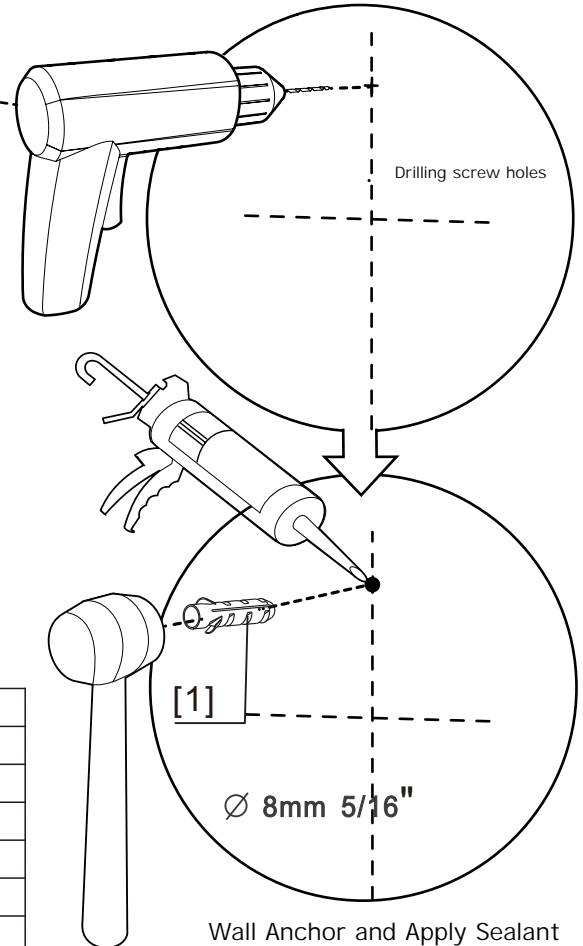
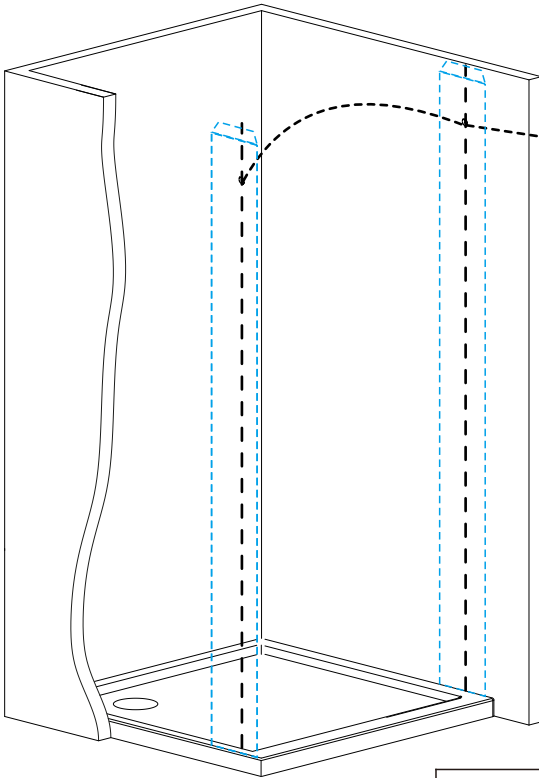


## 2 Installing the Head Rail Wall Kit

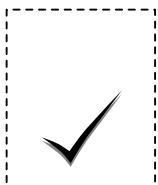


Mark the center hole with a pencil

## 3

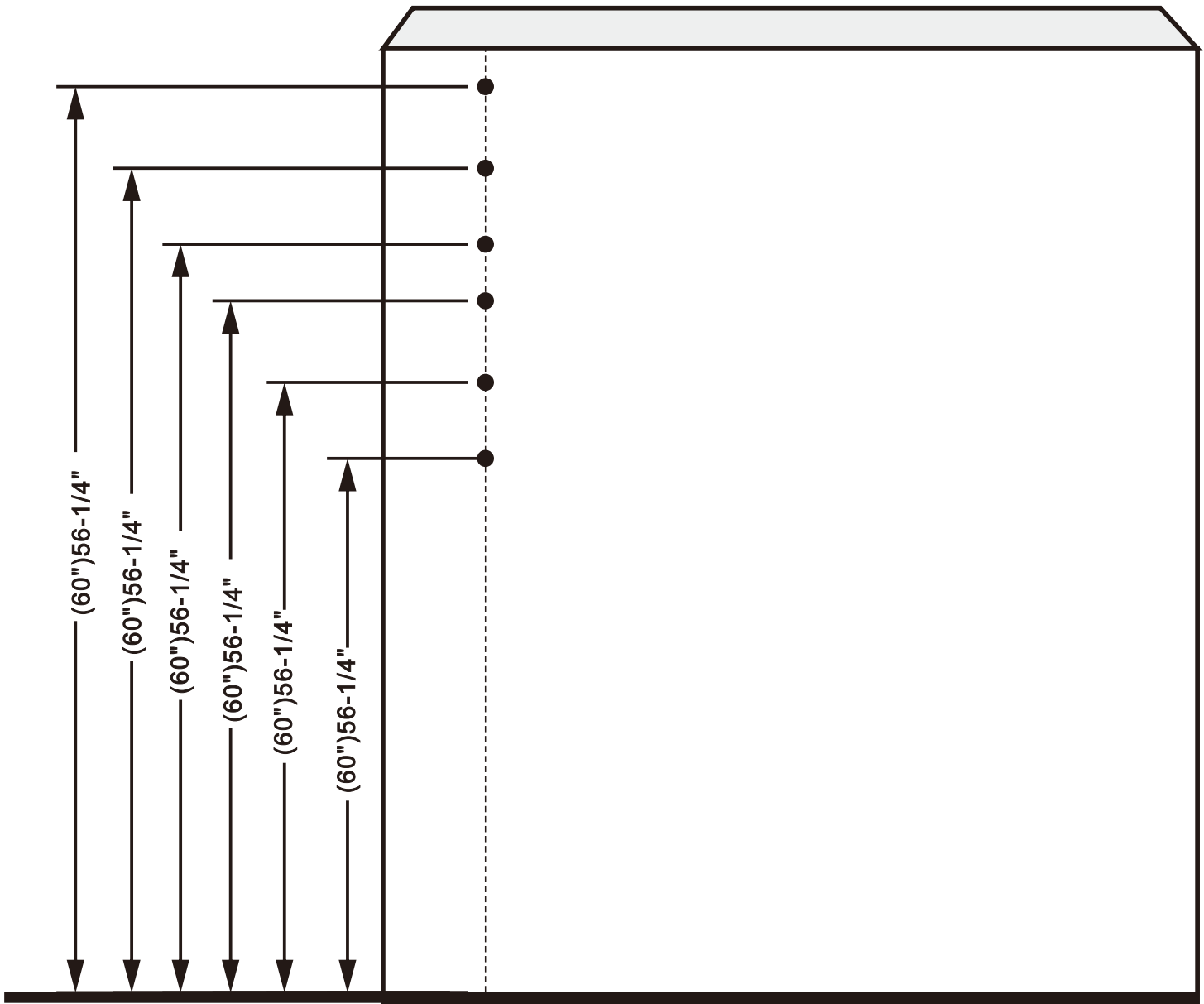


product Height"	Header Height"
(60")	56-1/4"
(66")	62-1/4"
(72")	68-1/4"
(76")	72-1/4"
(79")	75-1/4"
(84")	80-1/4"



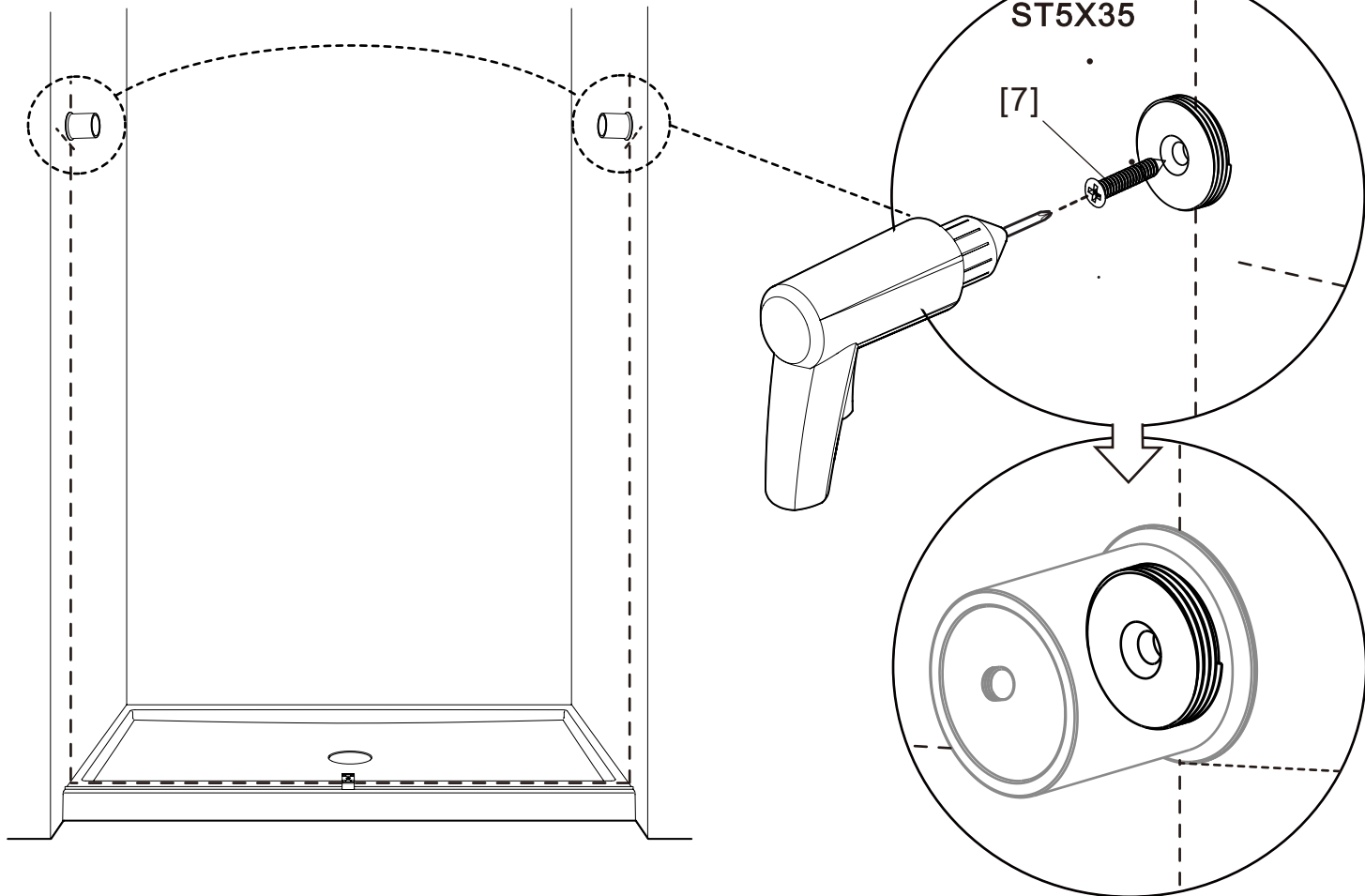
Wall Anchor and Apply Sealant

A

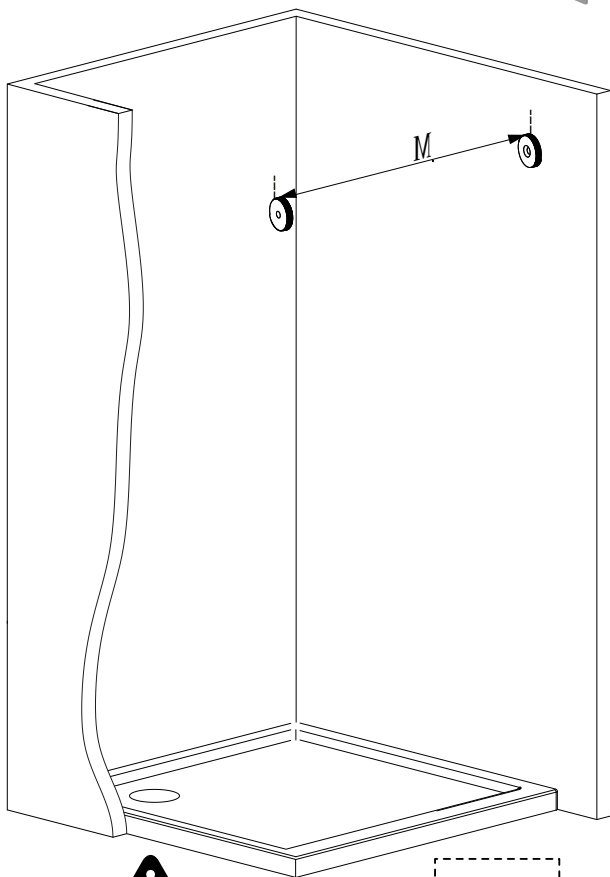


product Height"	Header Height"
(60")	56-1/4"
(66")	62-1/4"
(72")	68-1/4"
(76")	72-1/4"
(79")	75-1/4"
(84")	80-1/4"

5



6



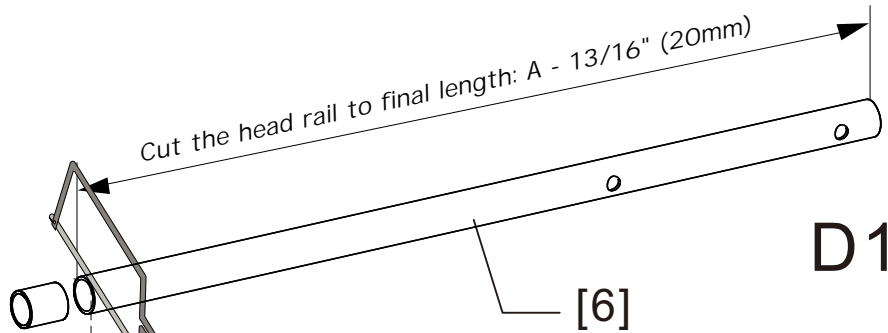
**!**  
Make sure the walls and foundation are level and vertical

5.1

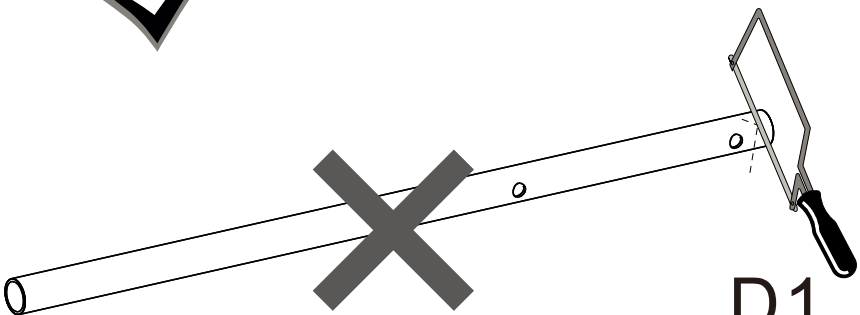
Measure and cut the head rail accessory [6] to fit your installation space.

Note: Only cut the end facing the sliding glass (D2).

Do NOT cut the end facing the fixed glass panel (D1)



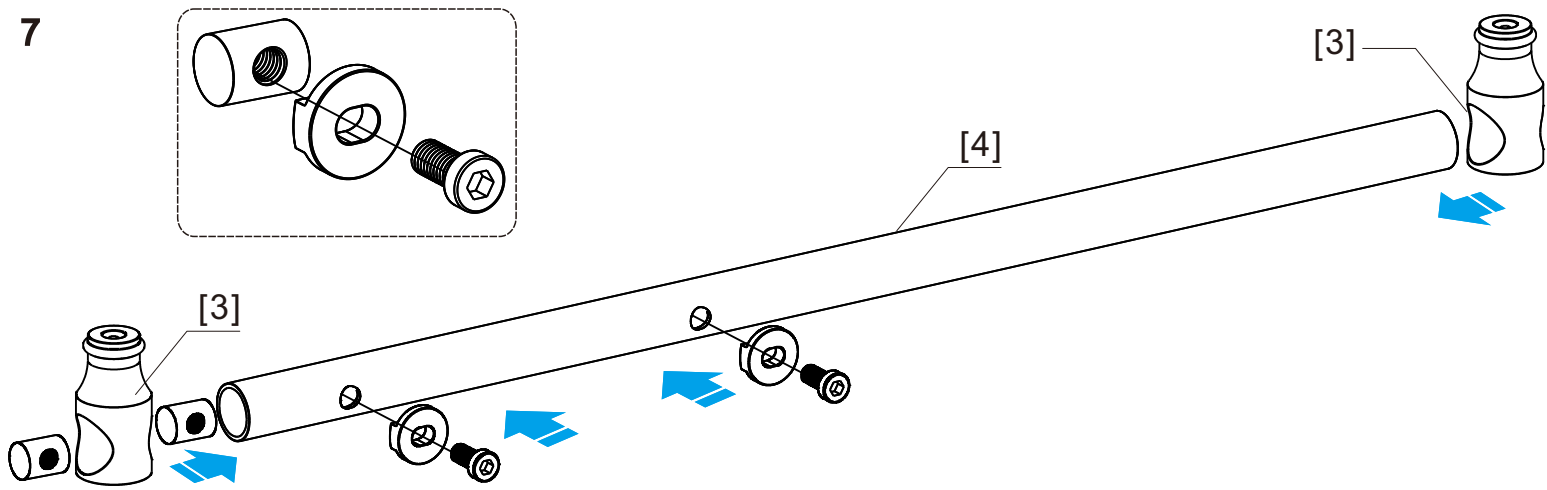
D2



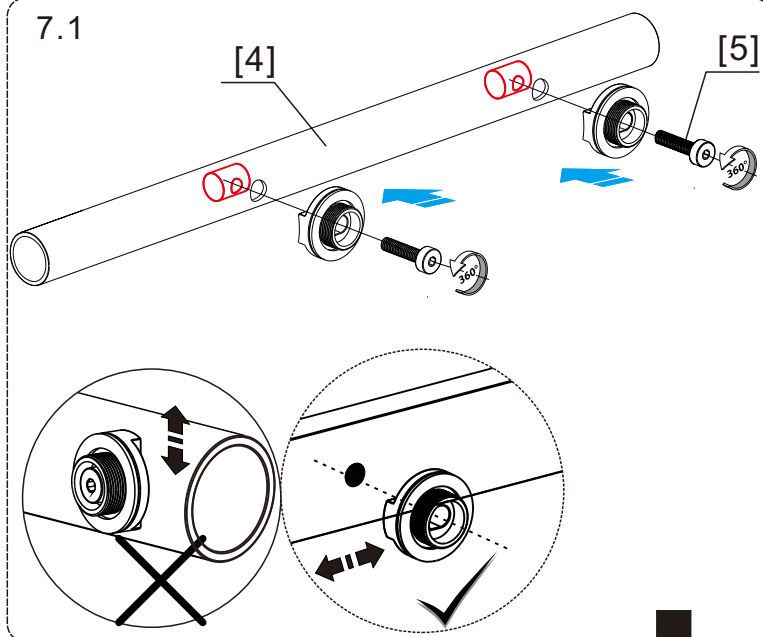
D1



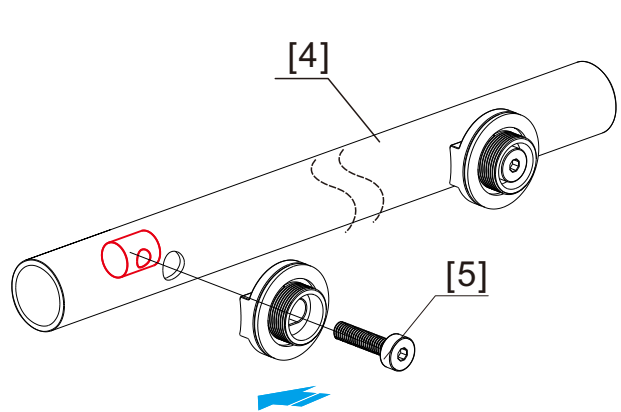
7



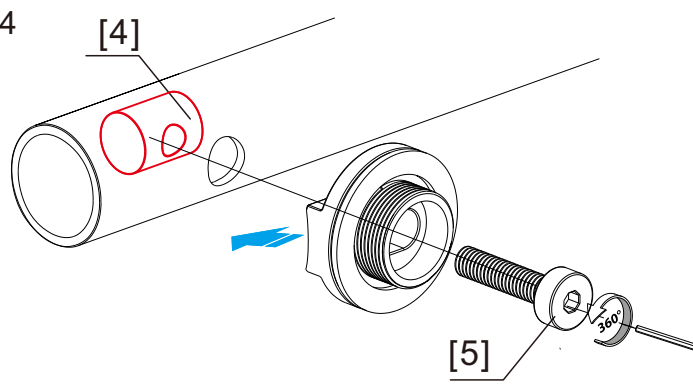
7.1



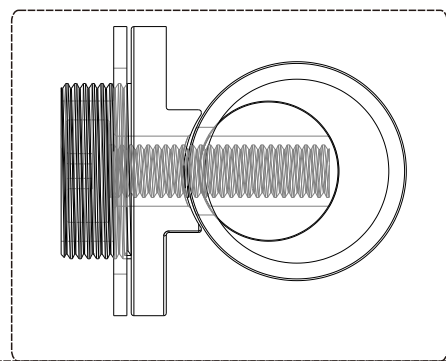
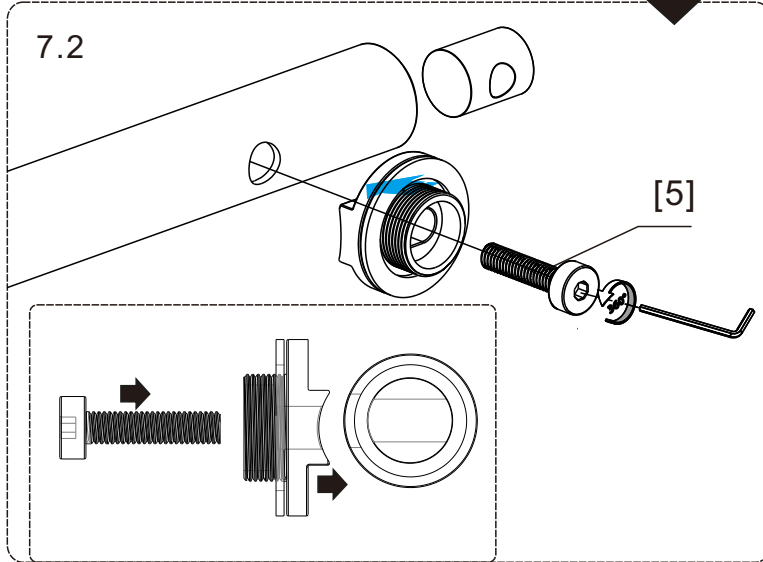
7.3



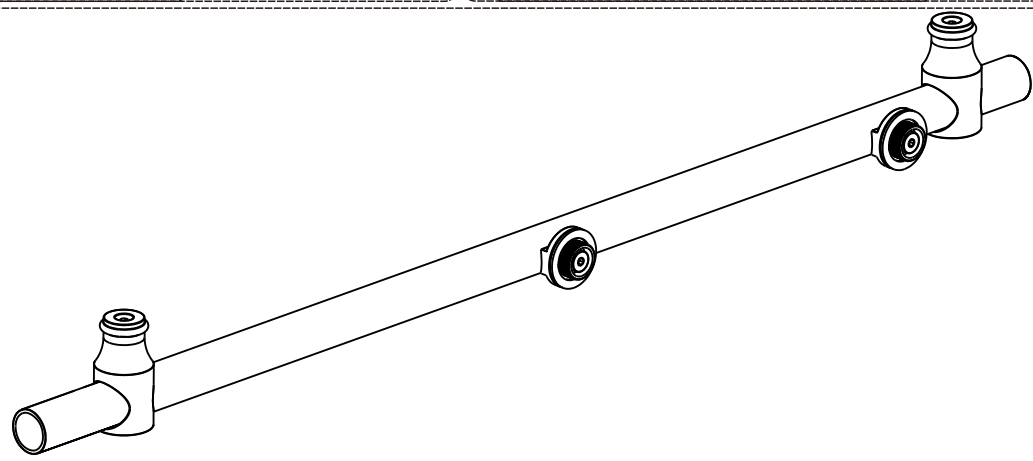
7.4



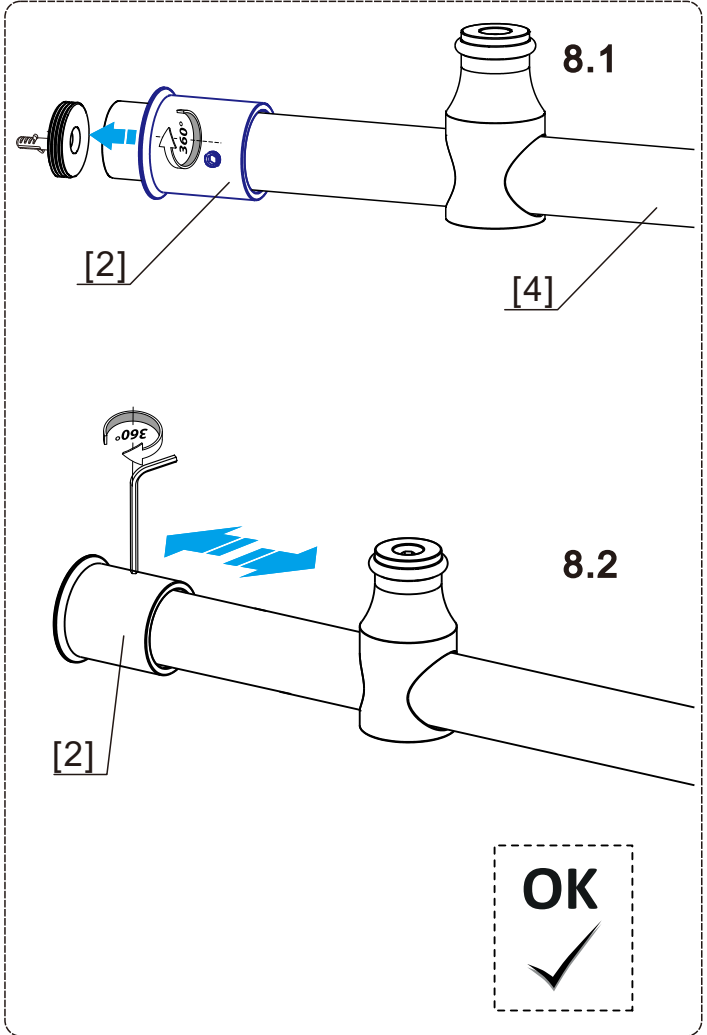
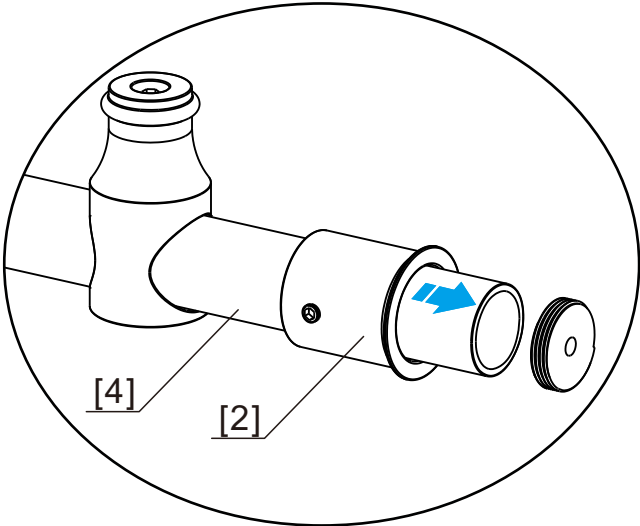
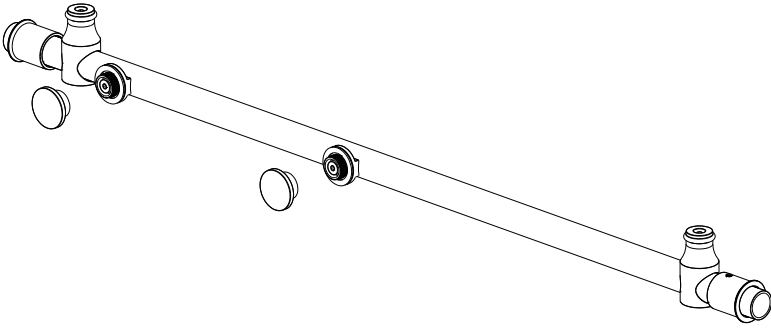
7.2



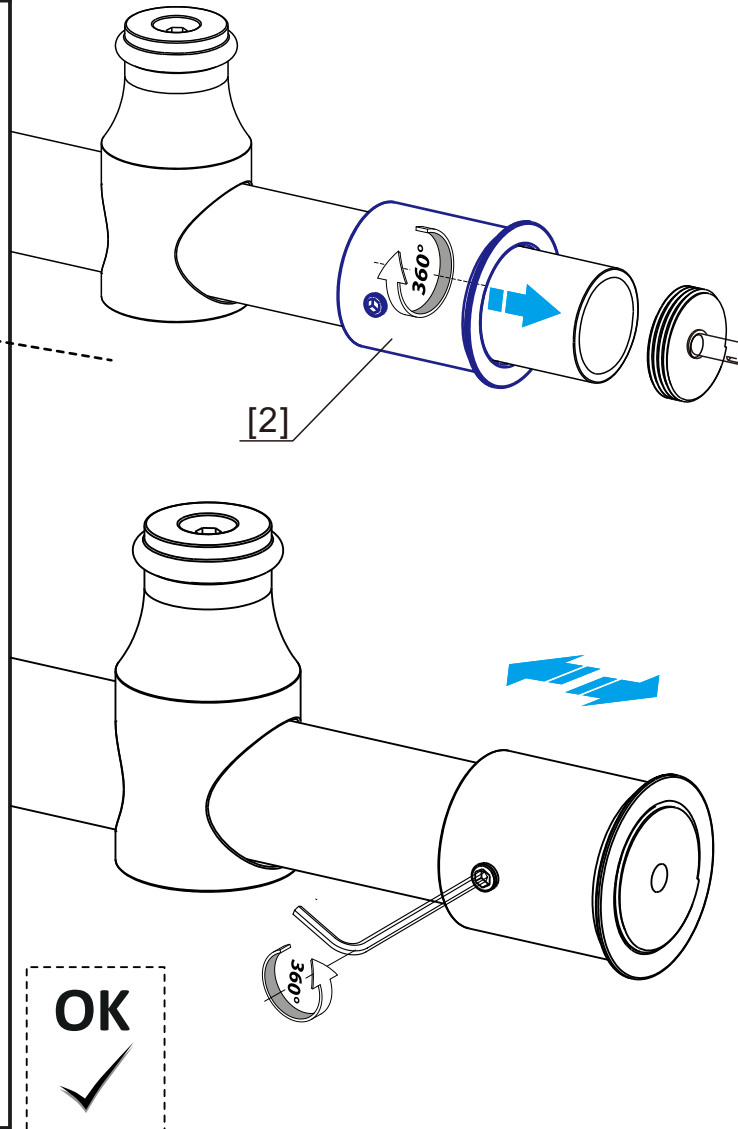
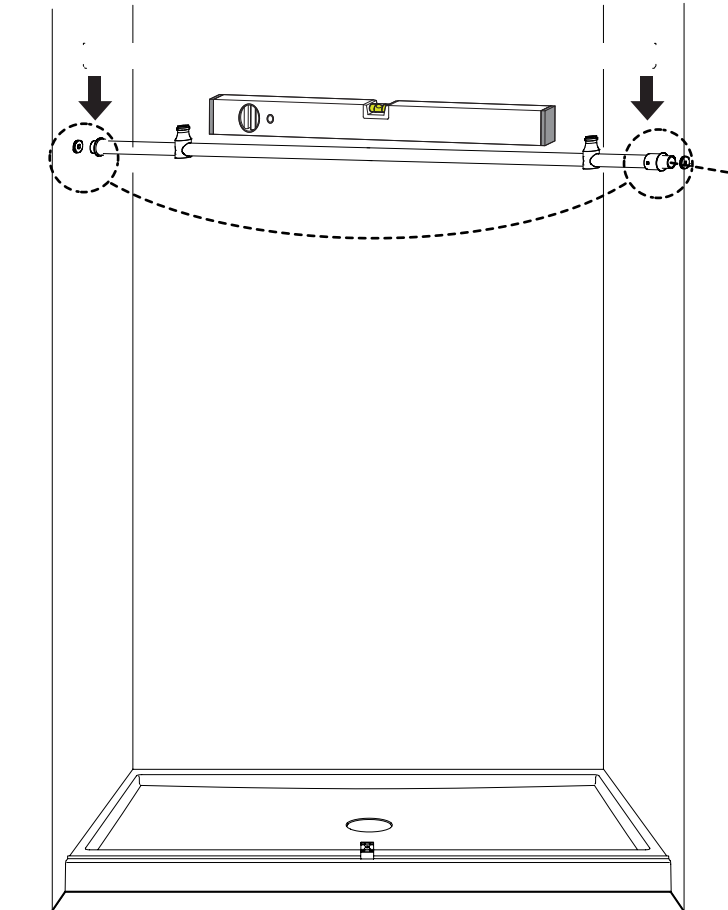
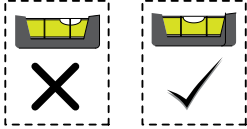
7.5



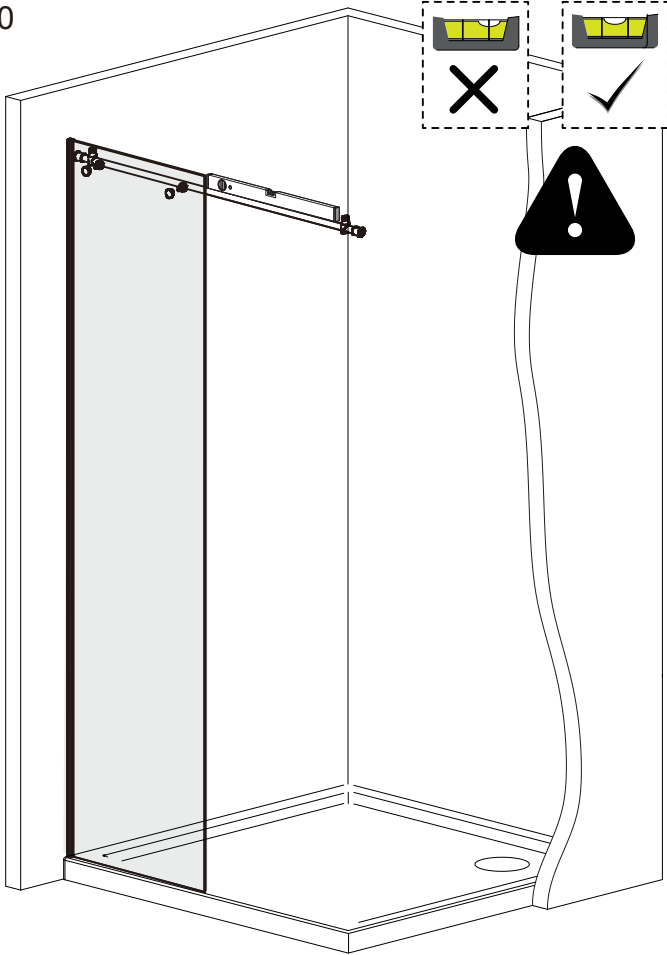
8



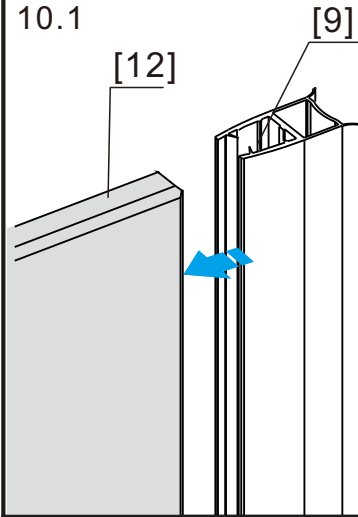
9



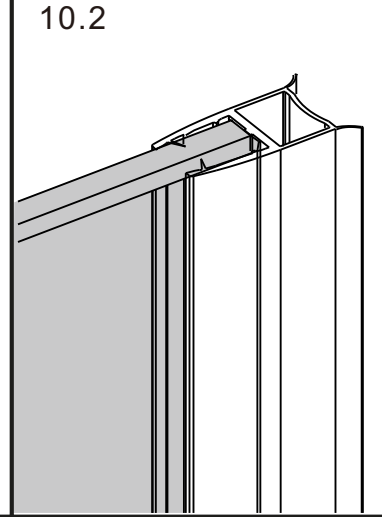
10



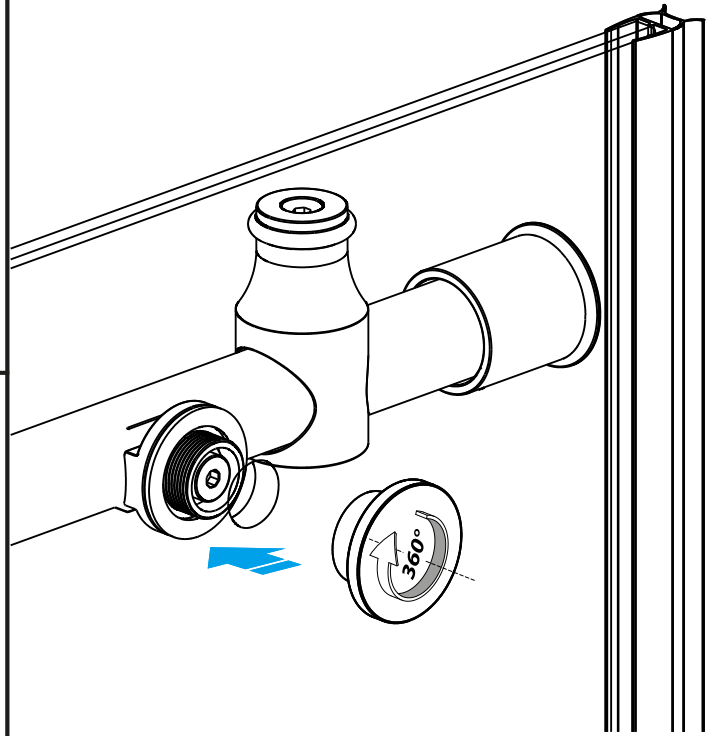
10.1



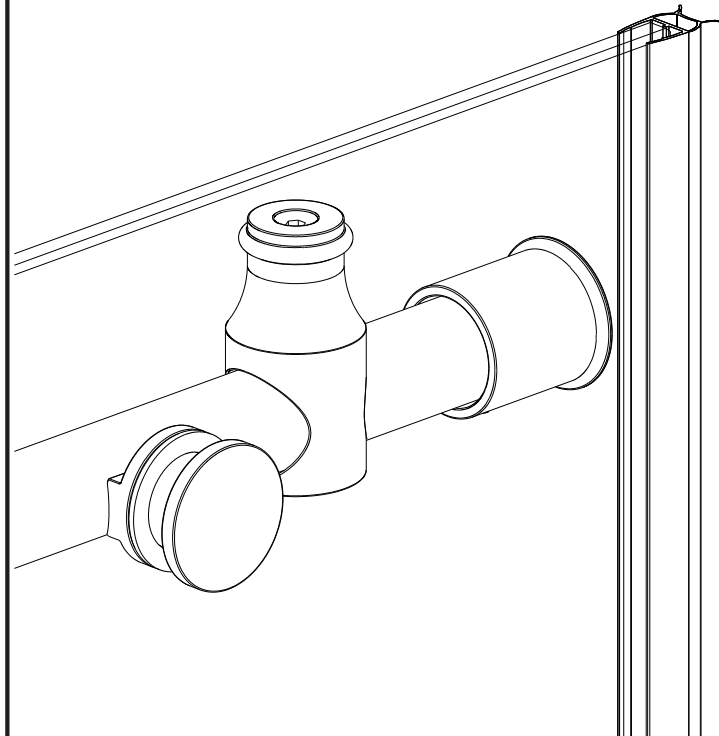
10.2



10.3

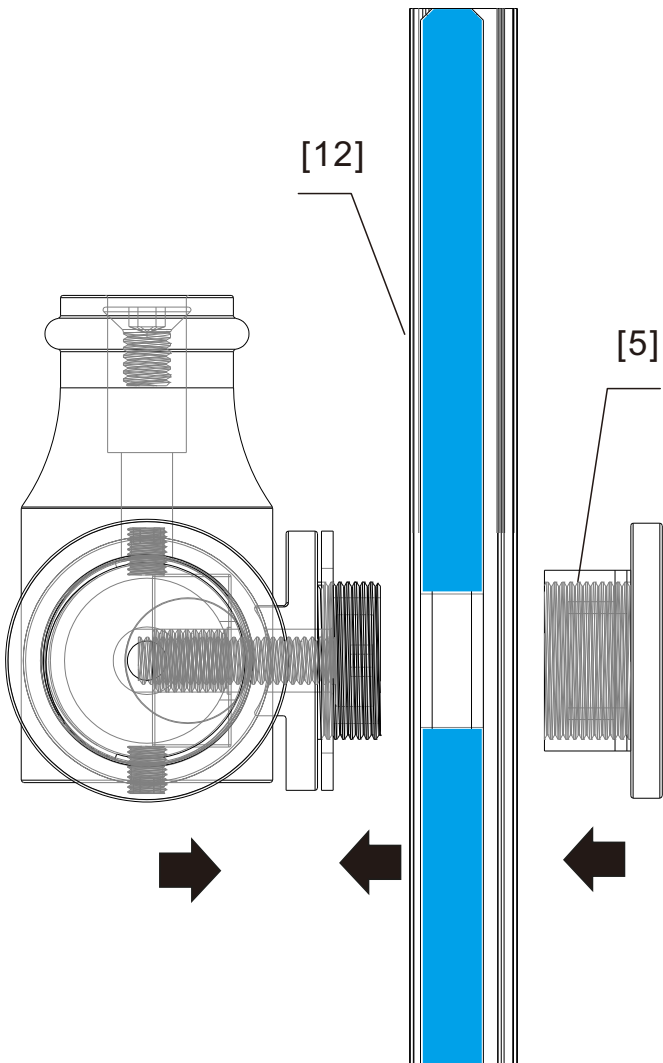


10.4

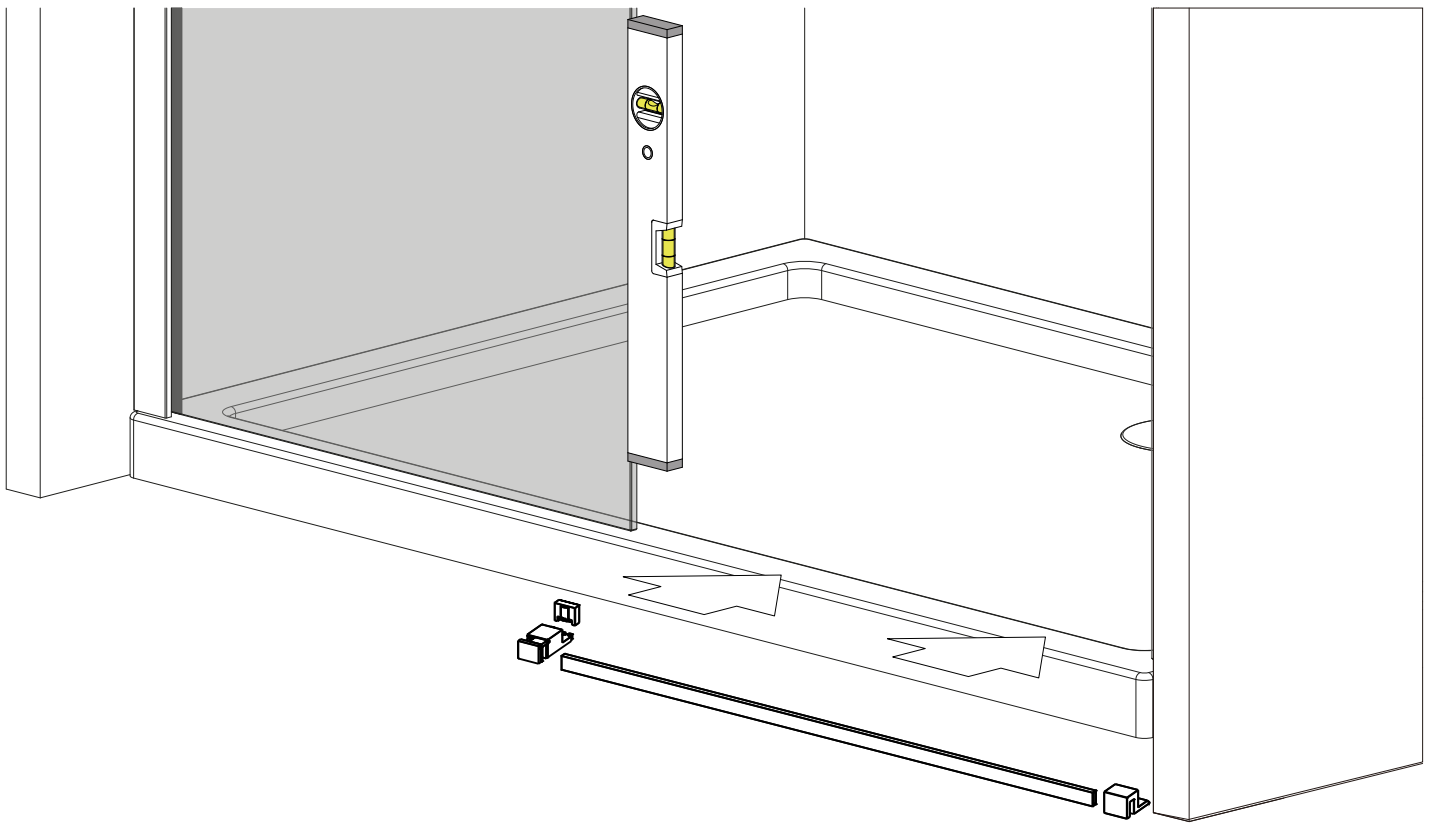


[12]

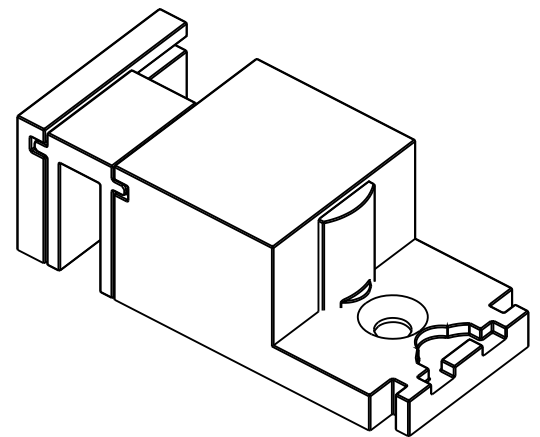
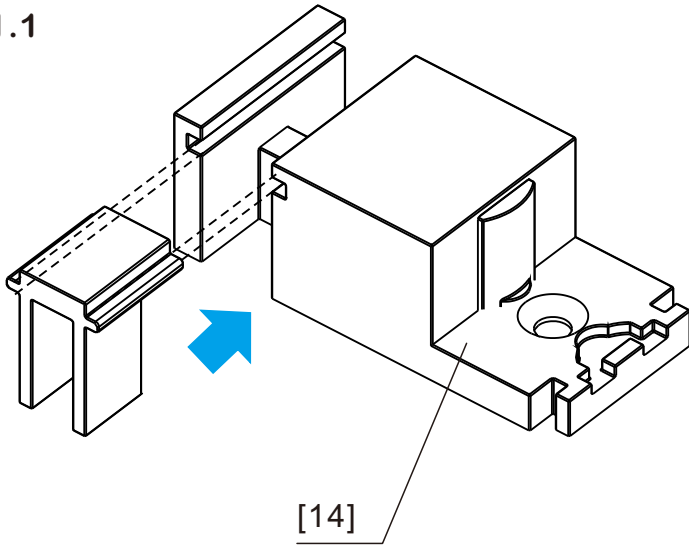
[5]



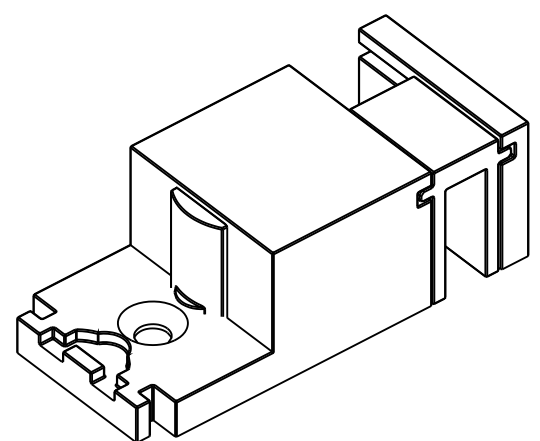
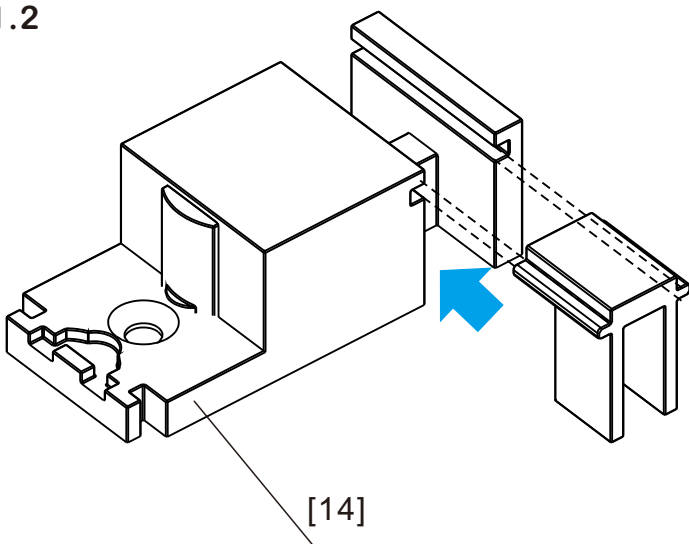
11



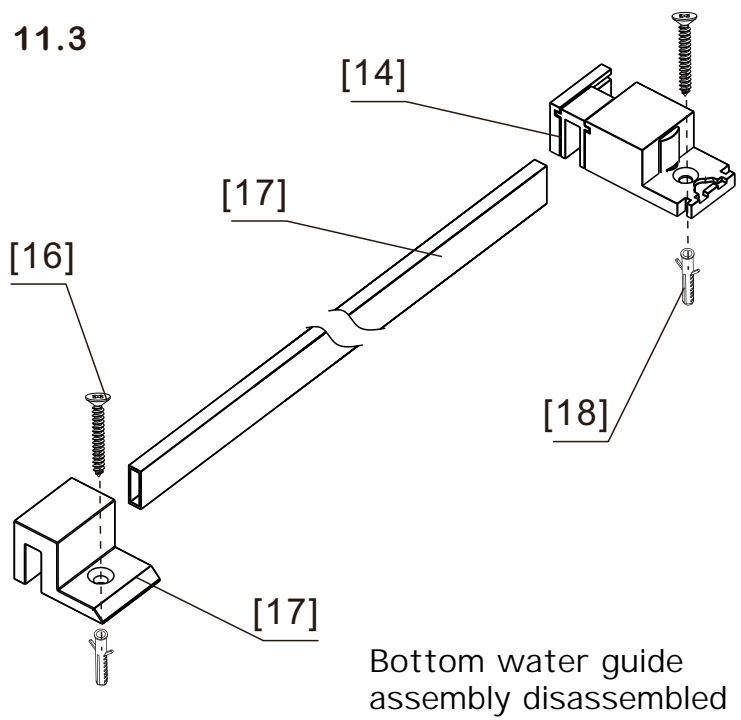
11.1



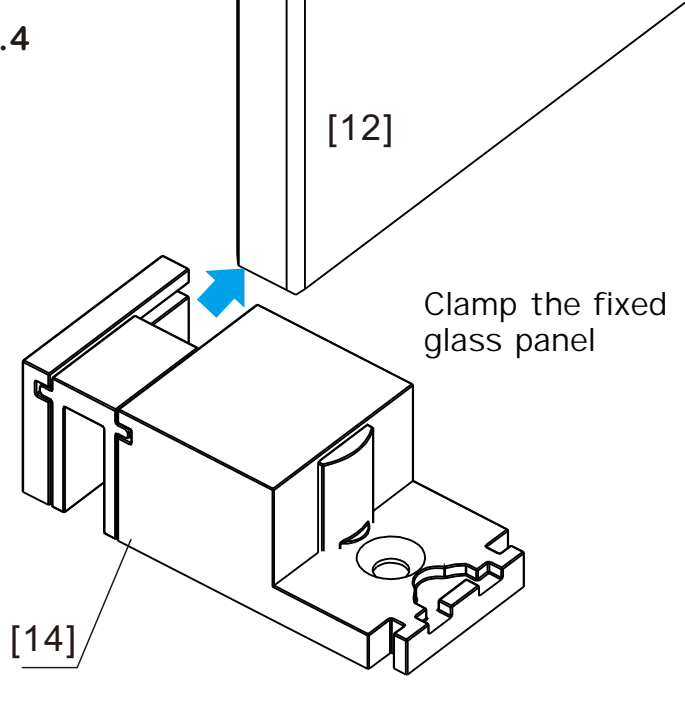
11.2



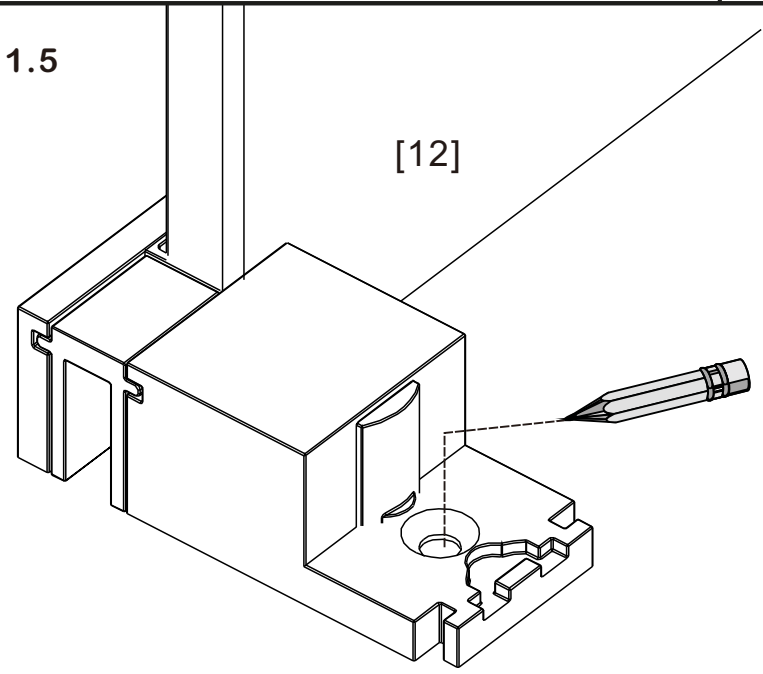
11.3



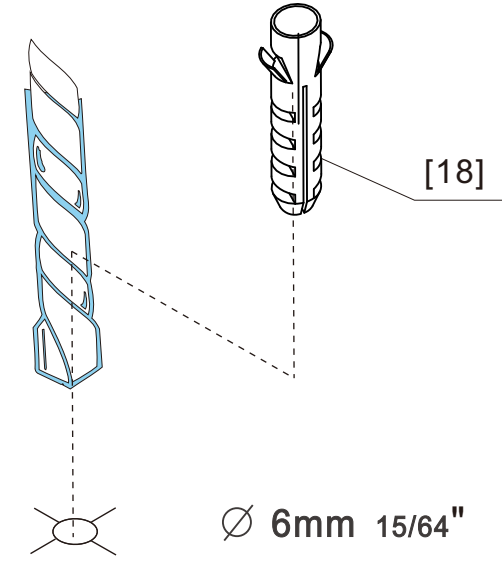
11.4



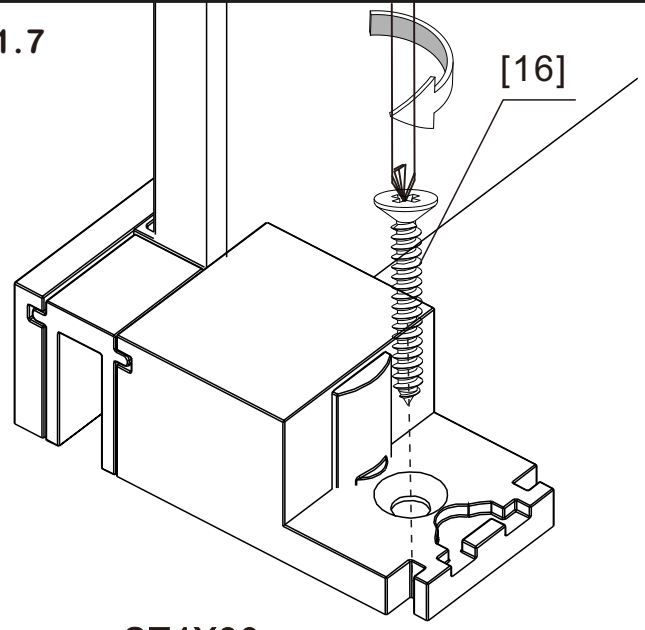
11.5



11.6

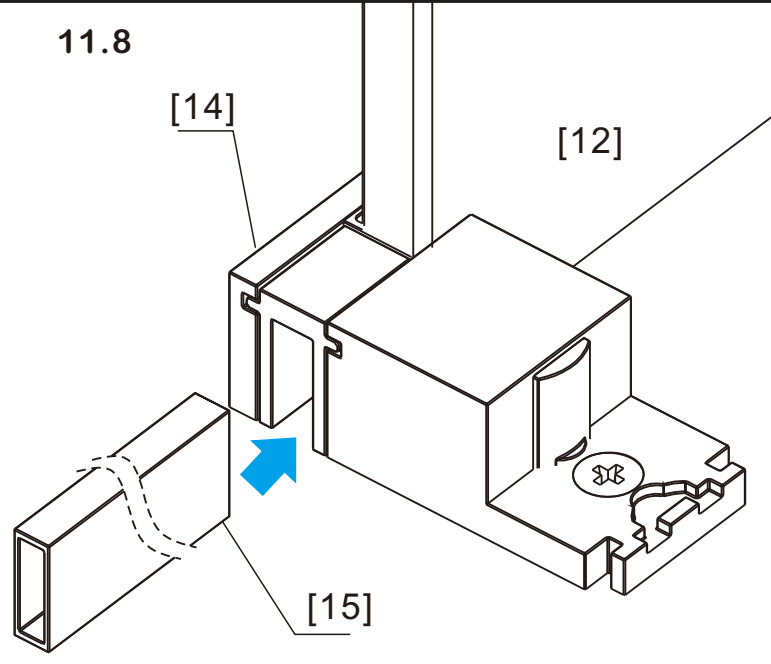


11.7

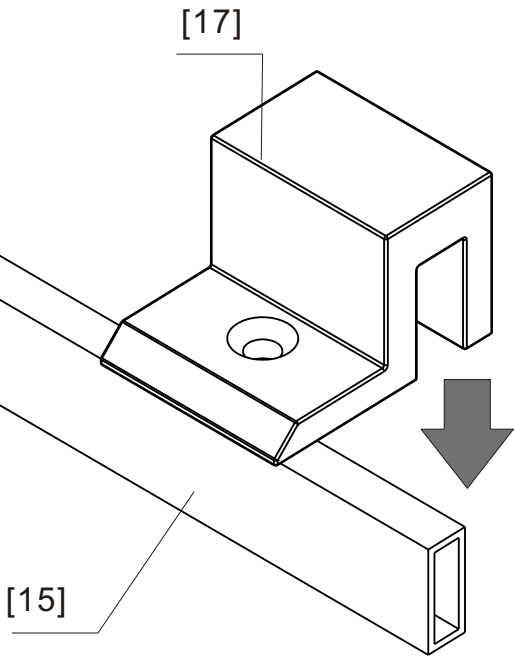


ST4X30

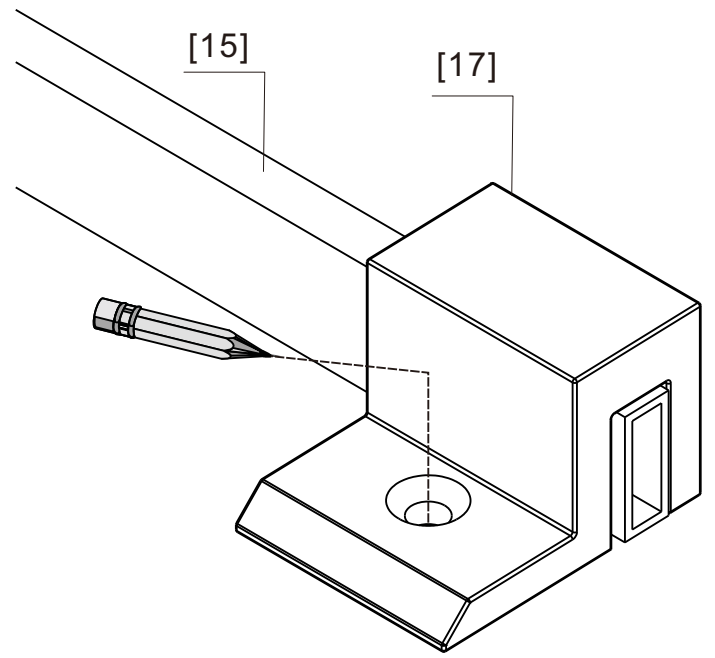
11.8



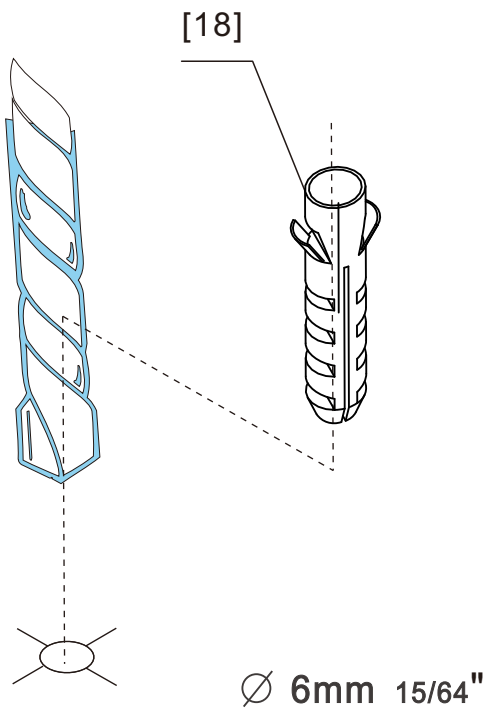
11.9



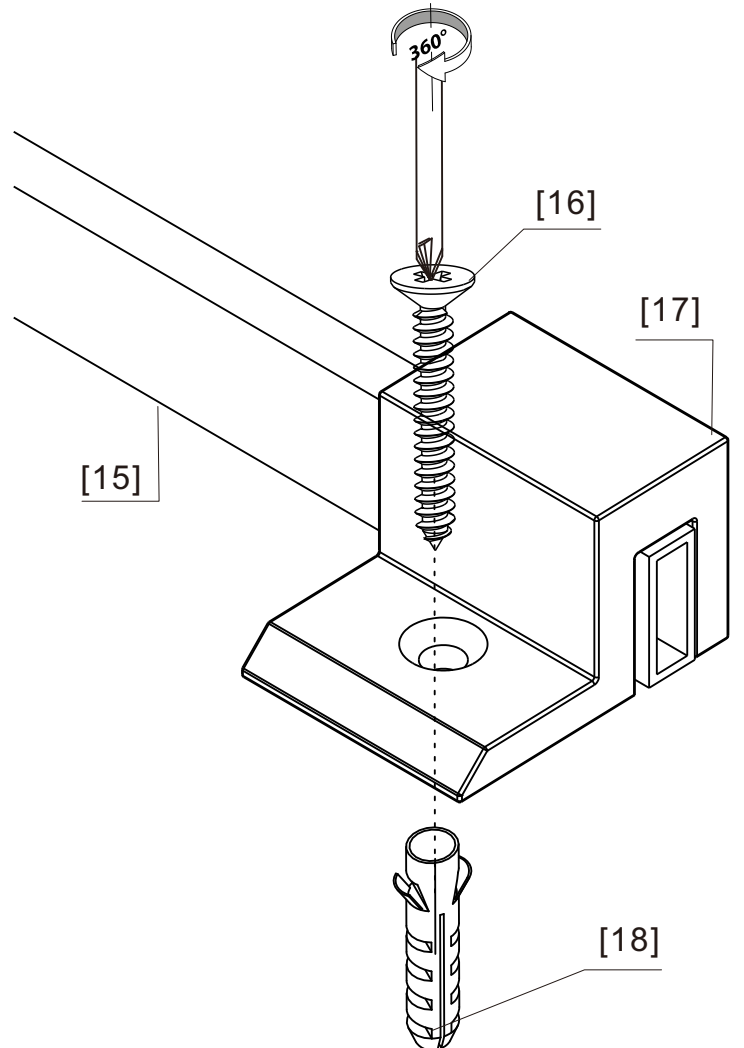
11.10



11.11

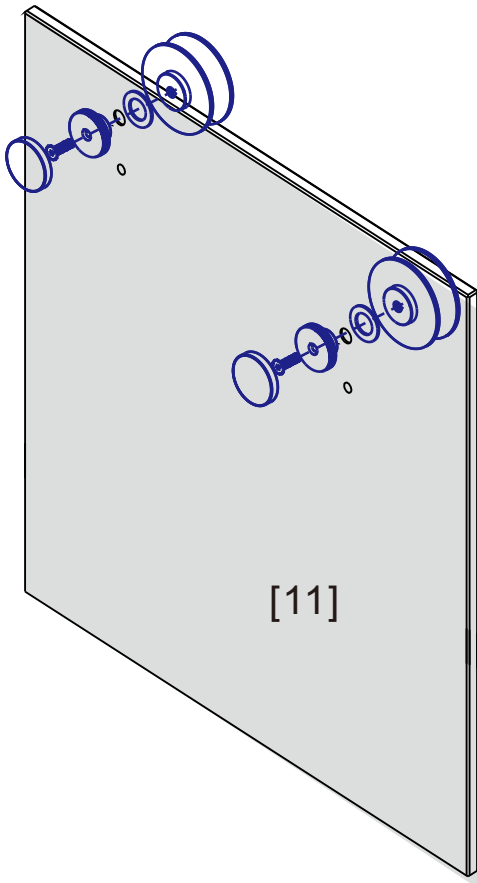


11.12

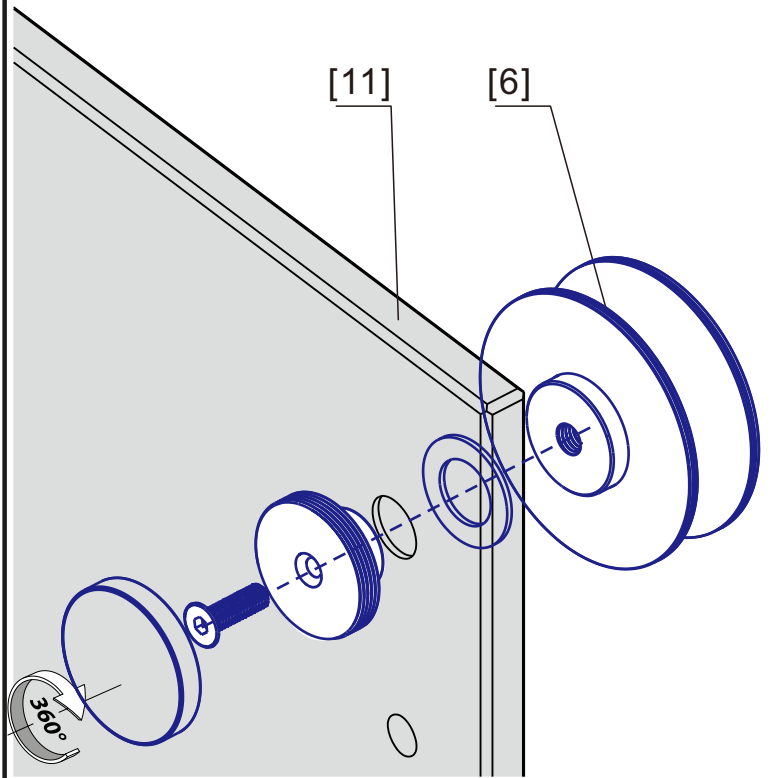


ST4X30

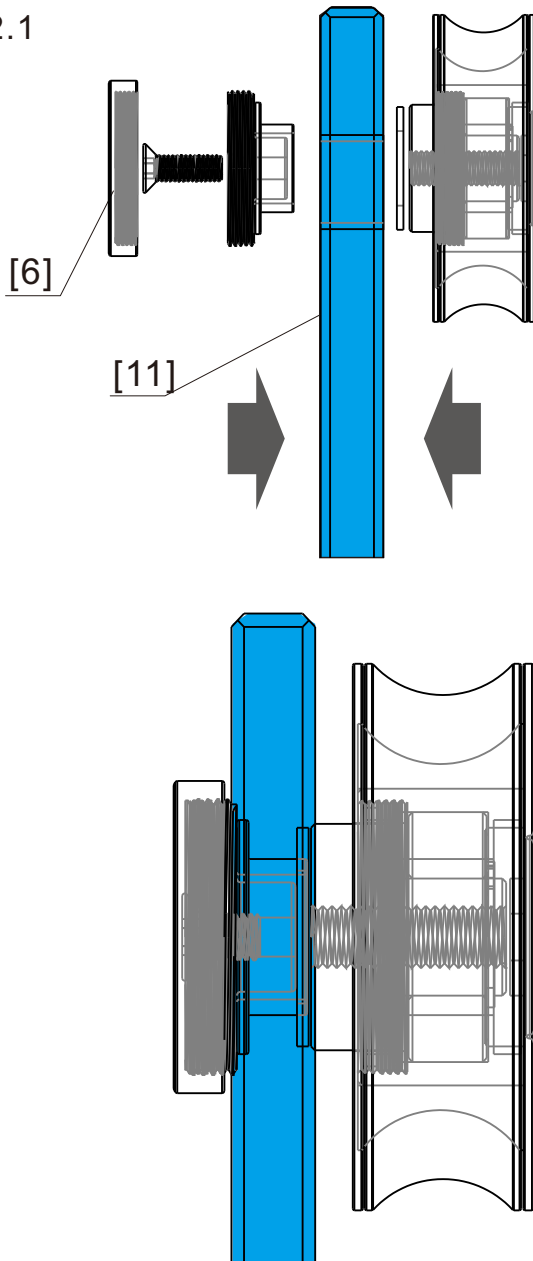
12



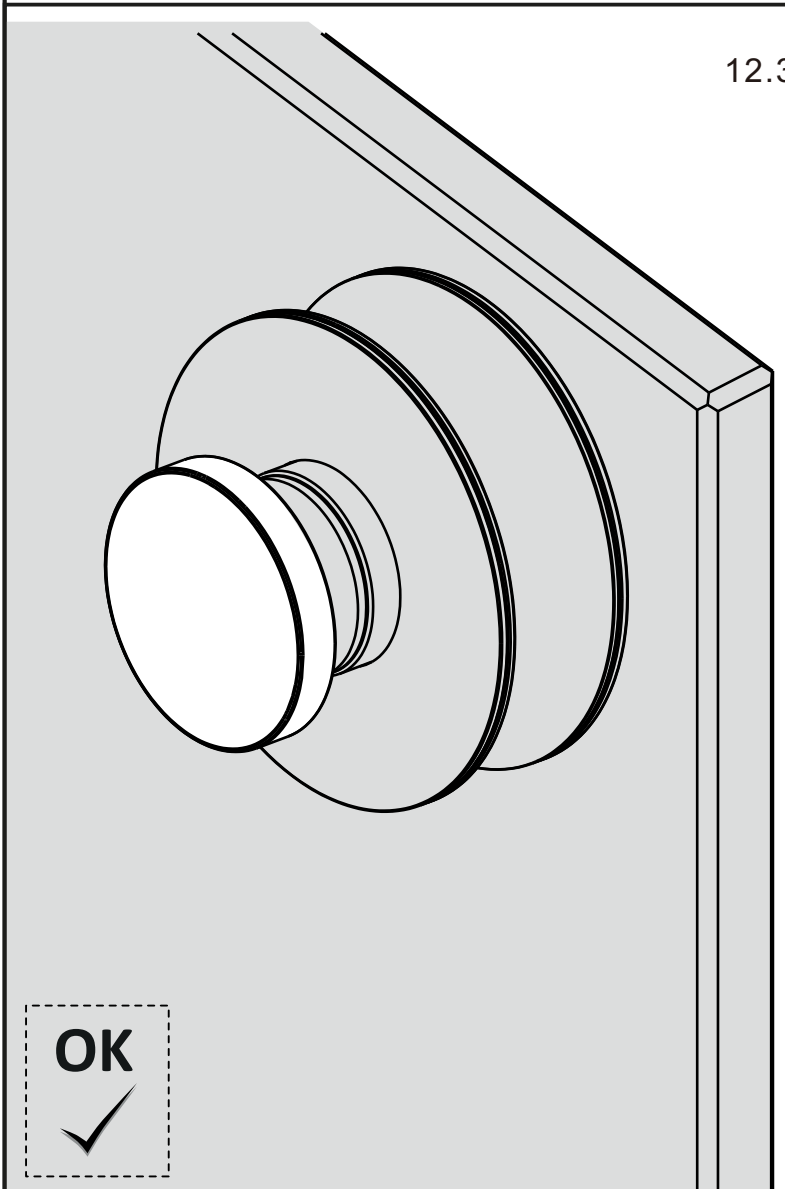
12.2



12.1



12.3

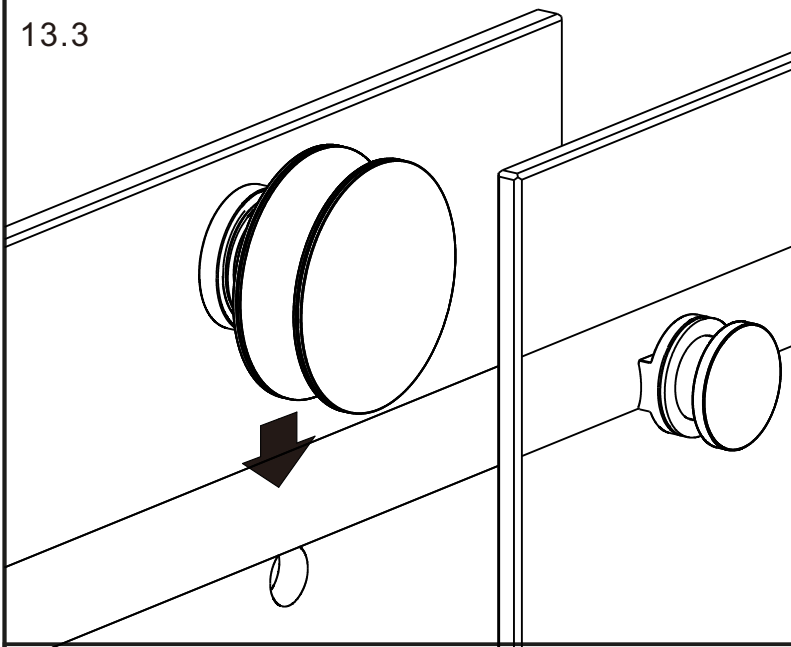


13

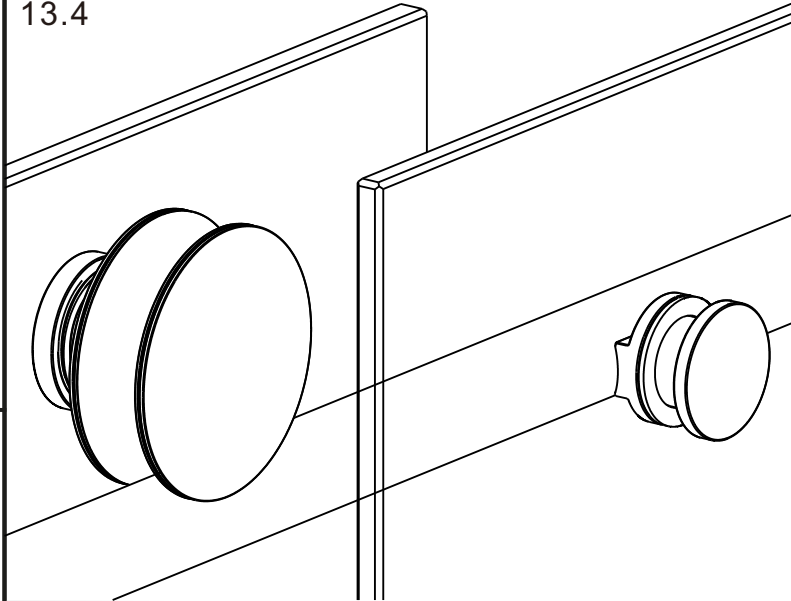
Installing Sliding Glass Panels



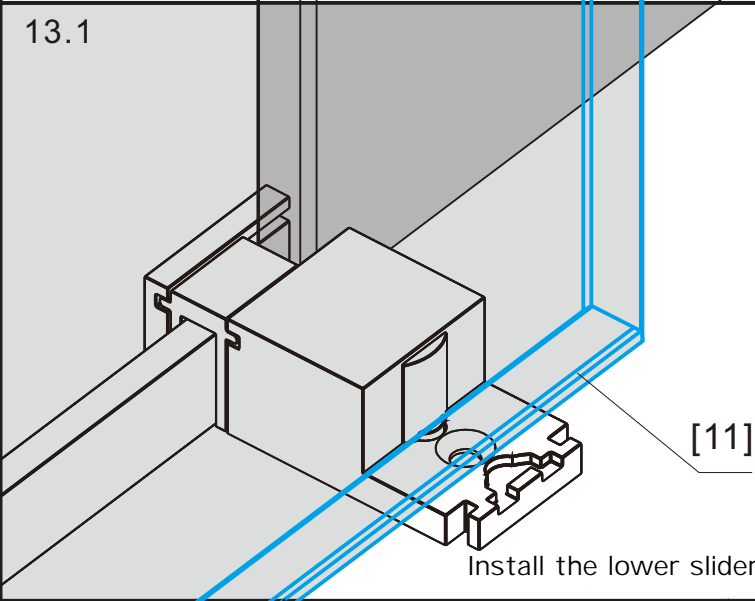
13.3



13.4



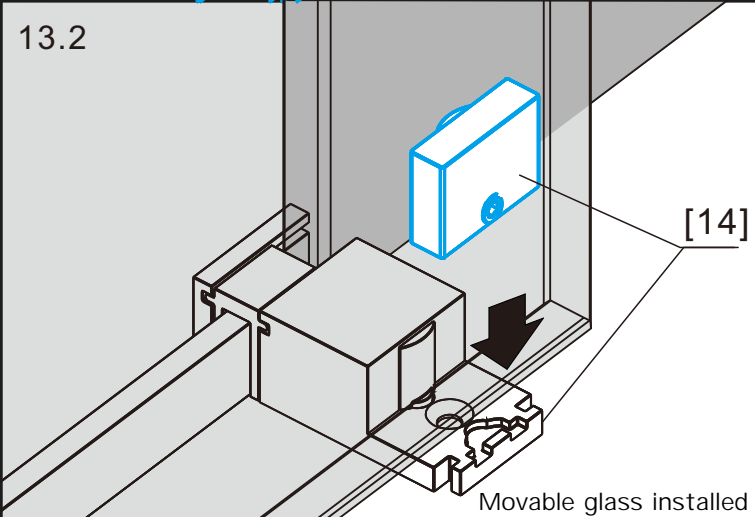
13.1



[11]

Install the lower slider

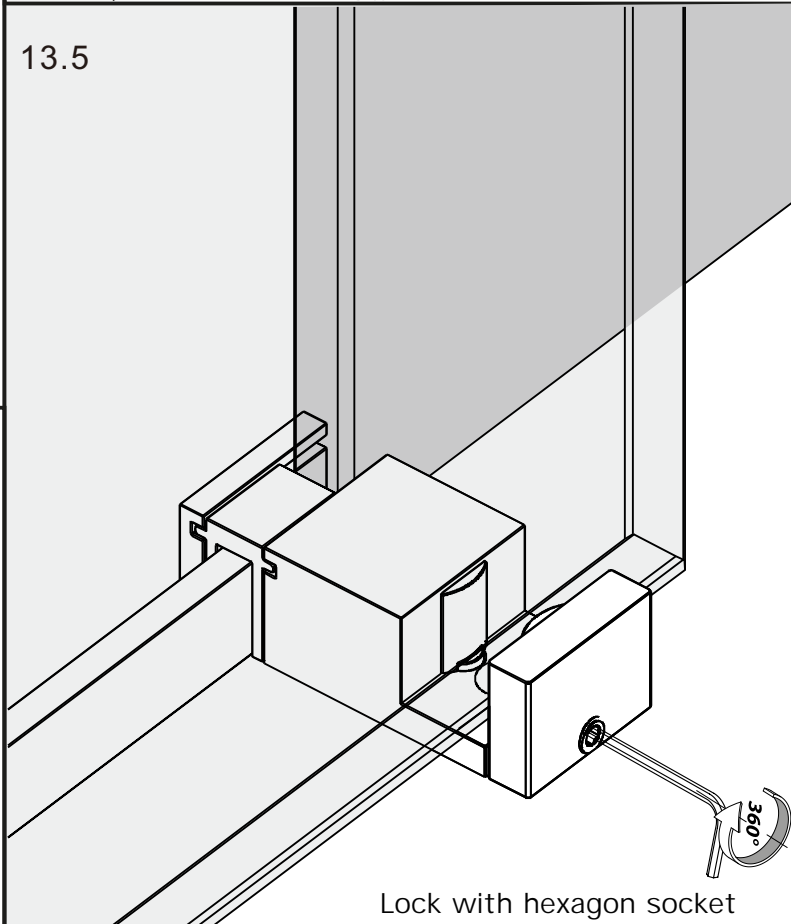
13.2



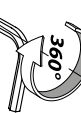
[14]

Movable glass installed

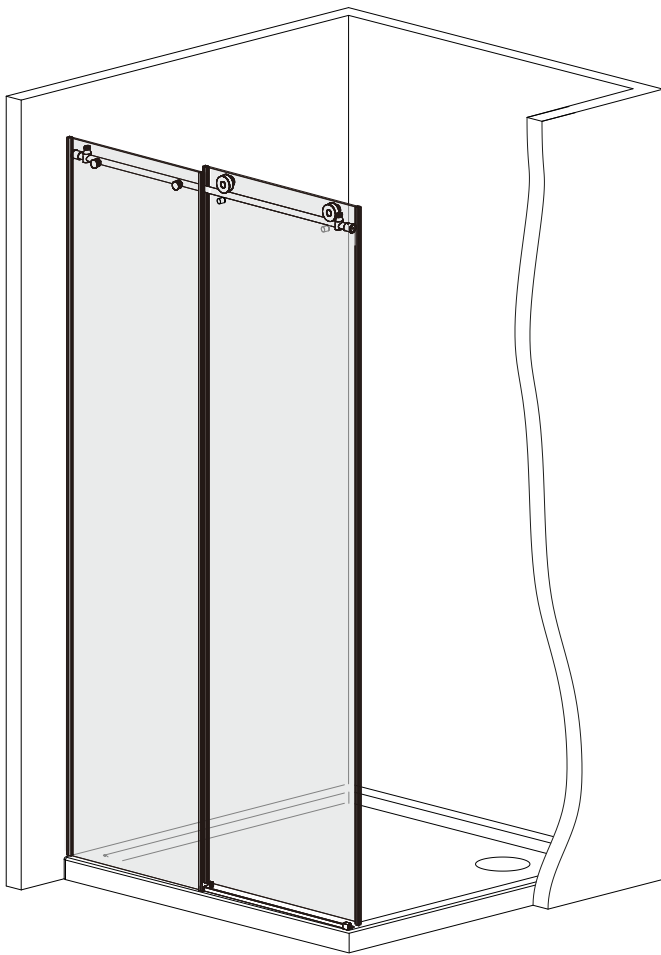
13.5



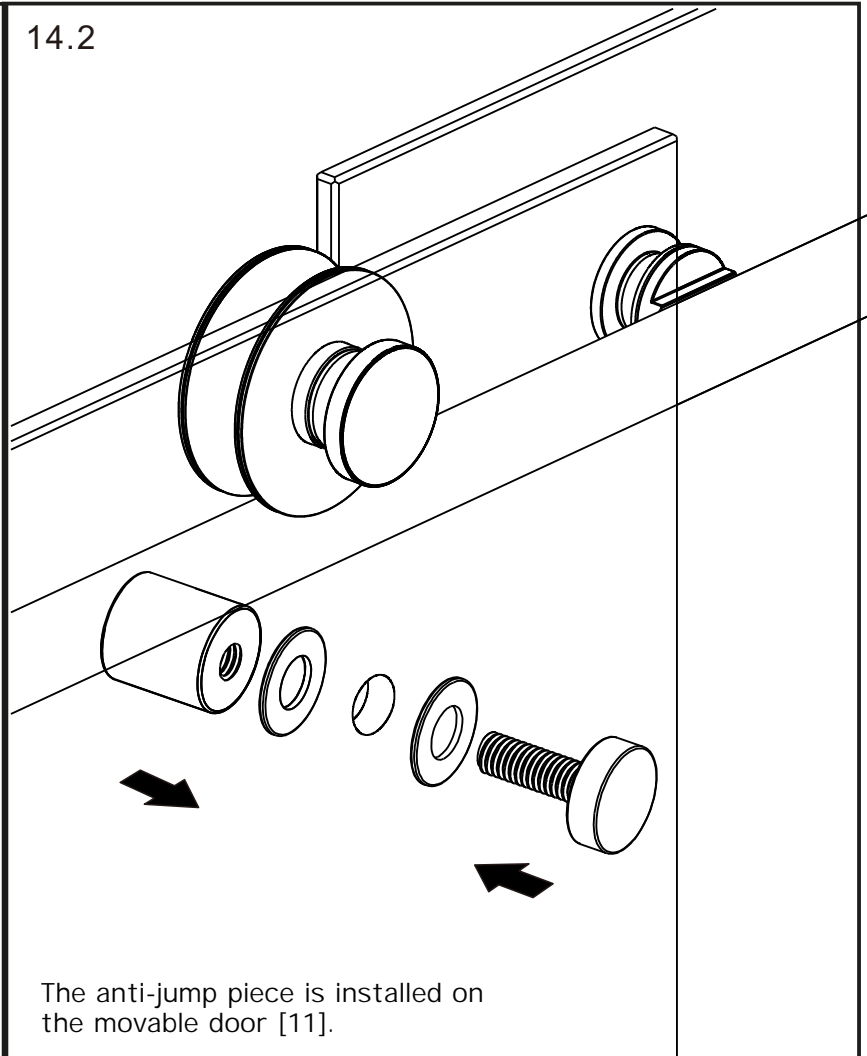
Lock with hexagon socket



14

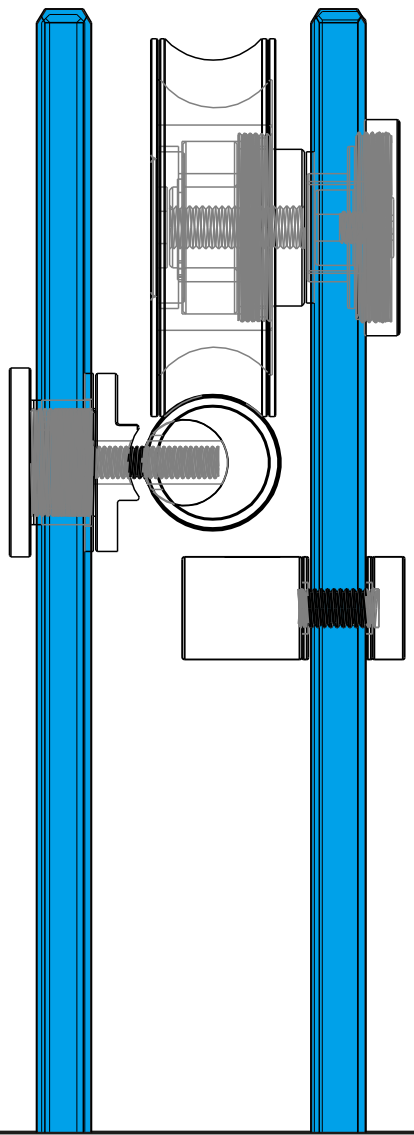


14.2

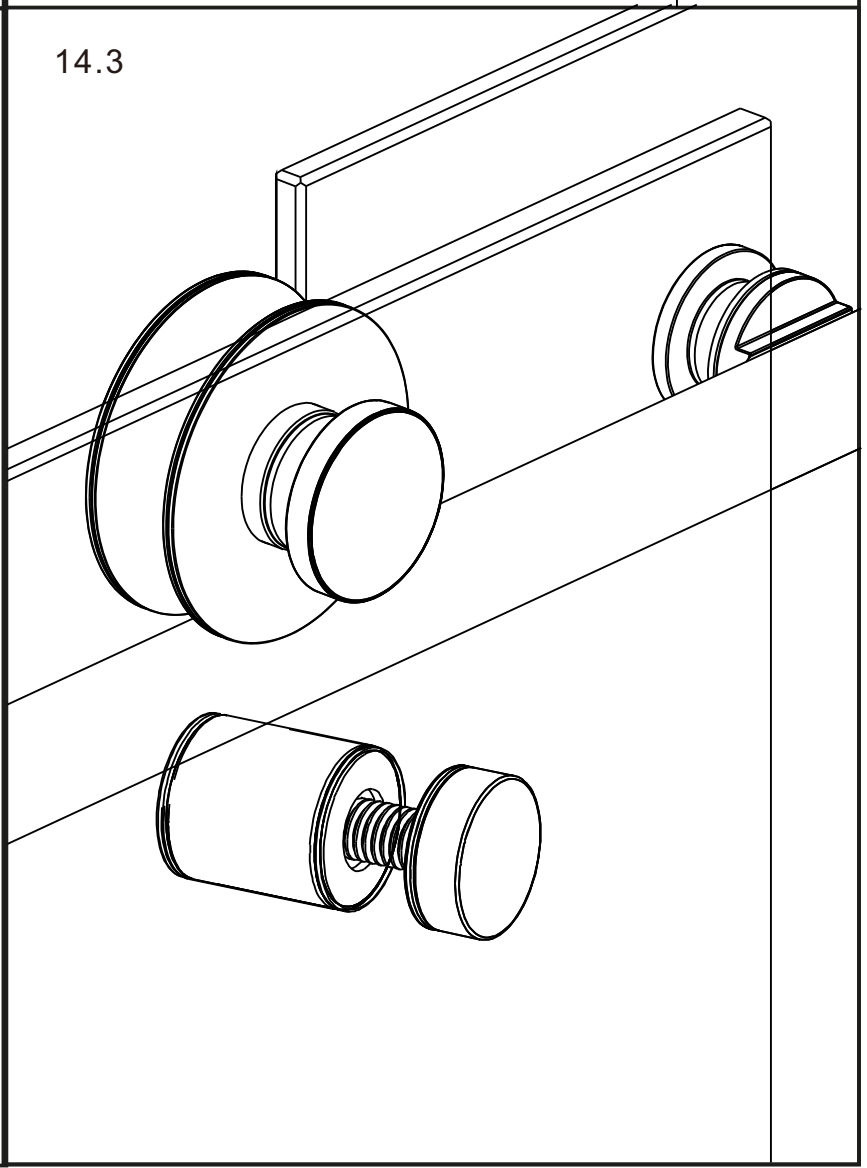


The anti-jump piece is installed on the movable door [11].

14.1



14.3

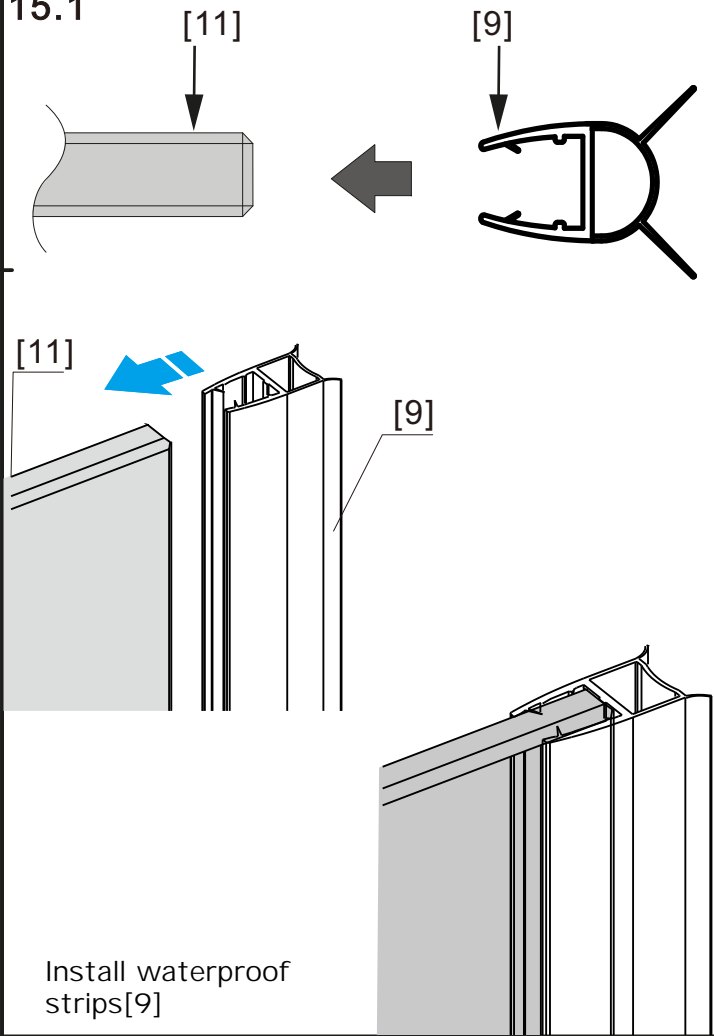


15

Install water barrier



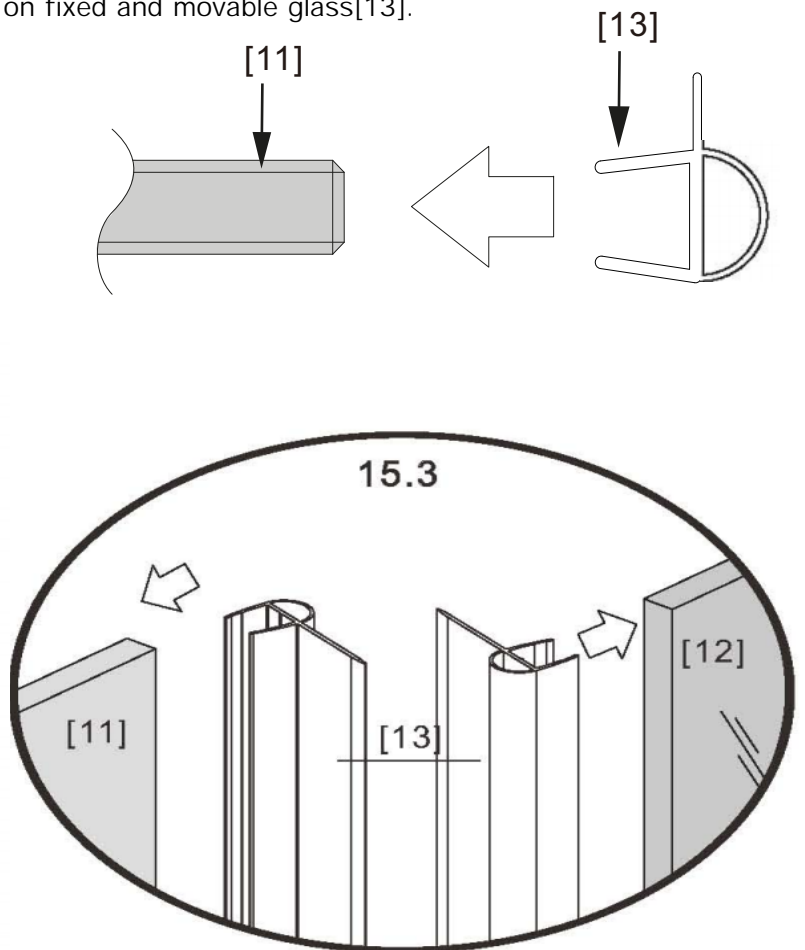
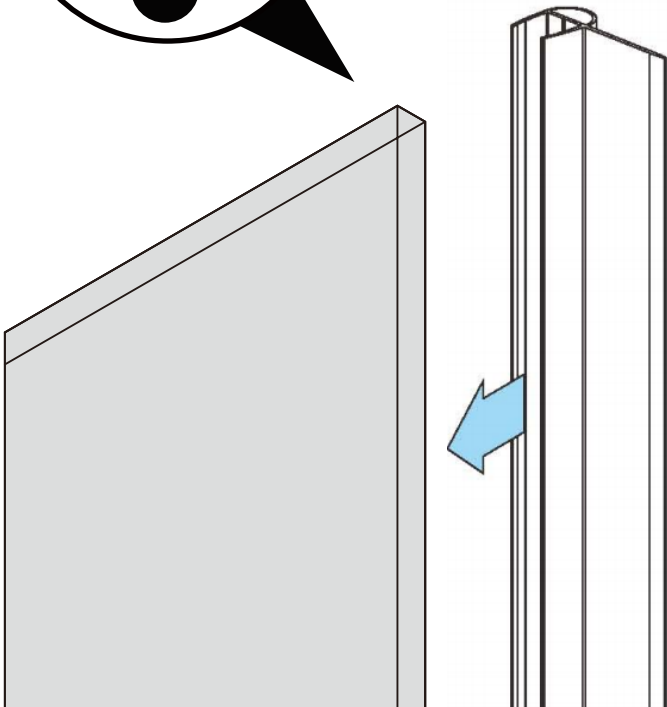
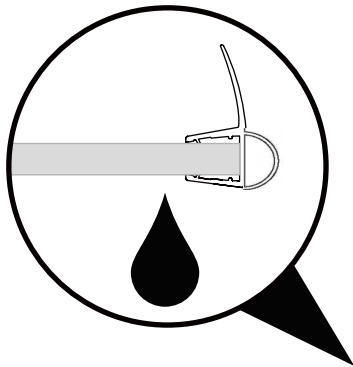
15.1



Install waterproof strips[9]

15.2

Install F-shaped water barriers on fixed and movable glass[13].



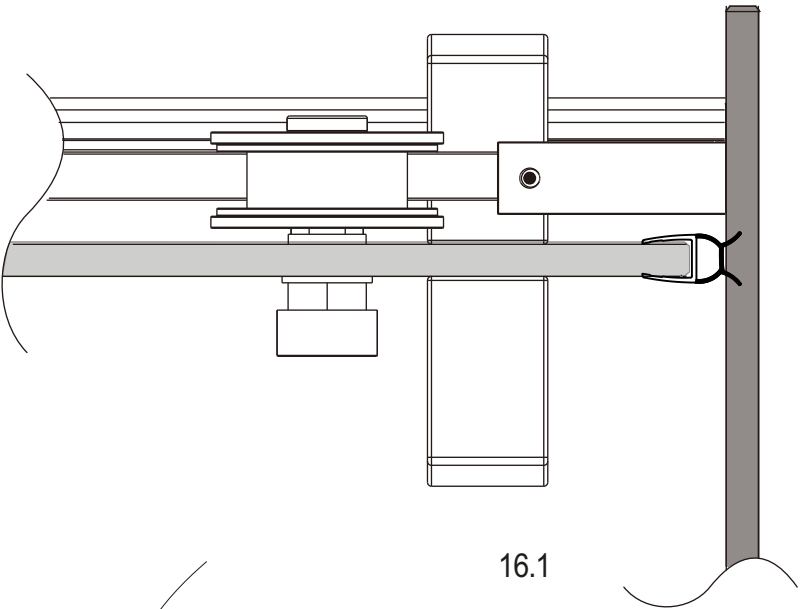
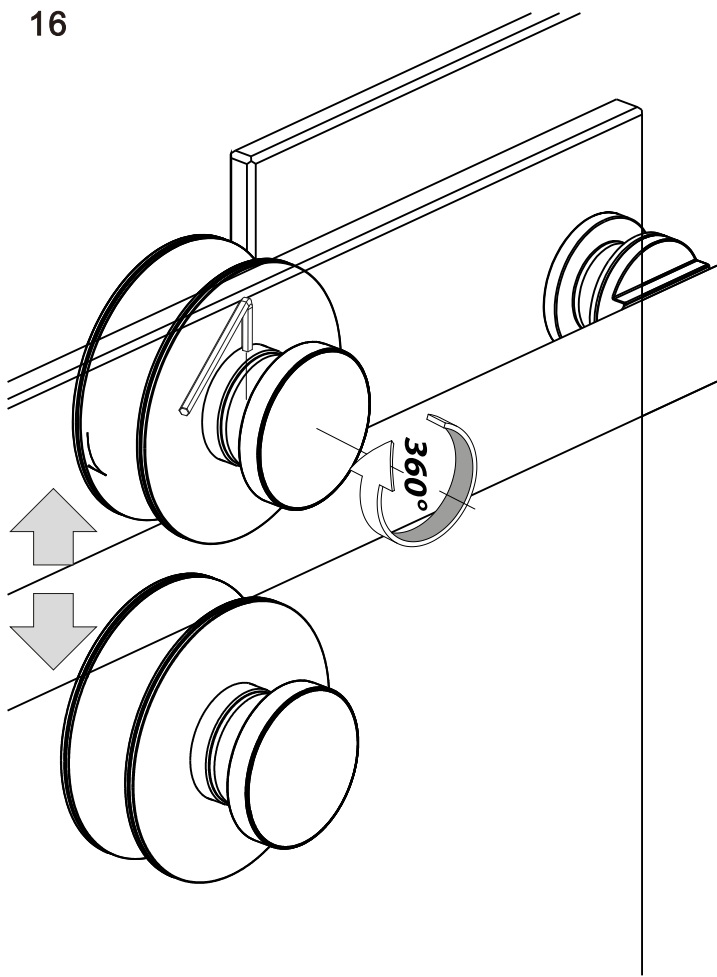
15.3

[11]

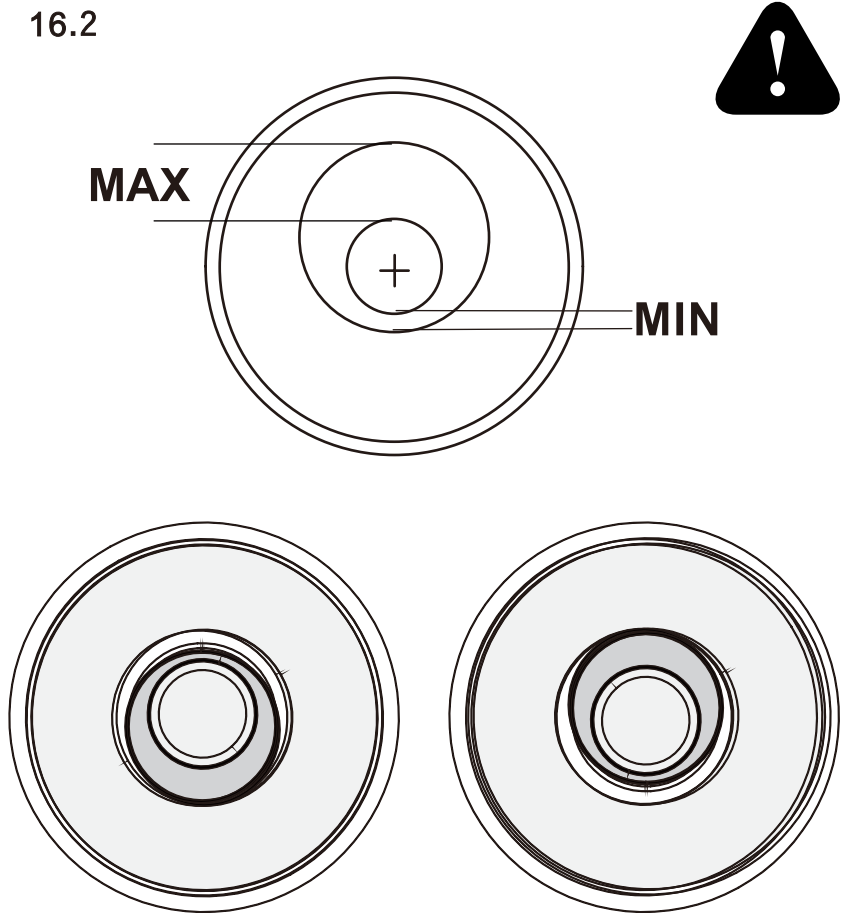
[13]

[12]

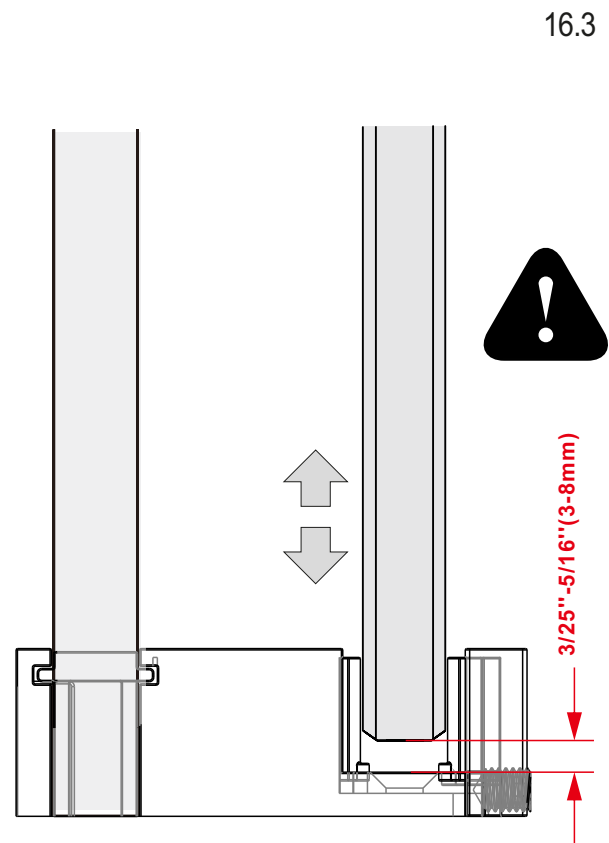
16



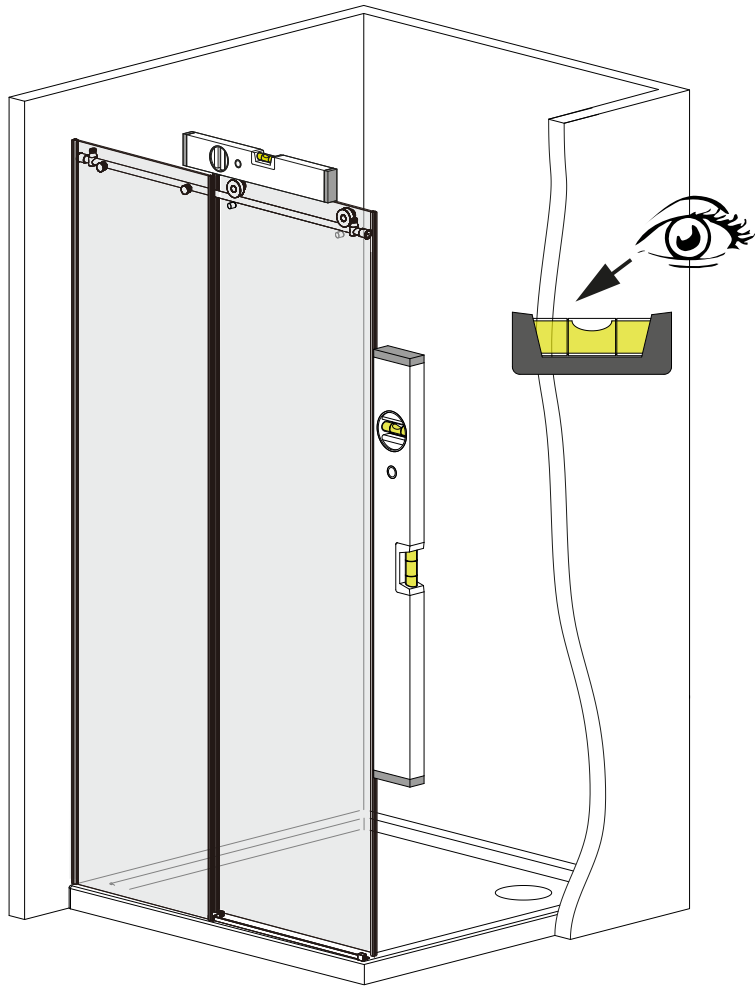
16.2



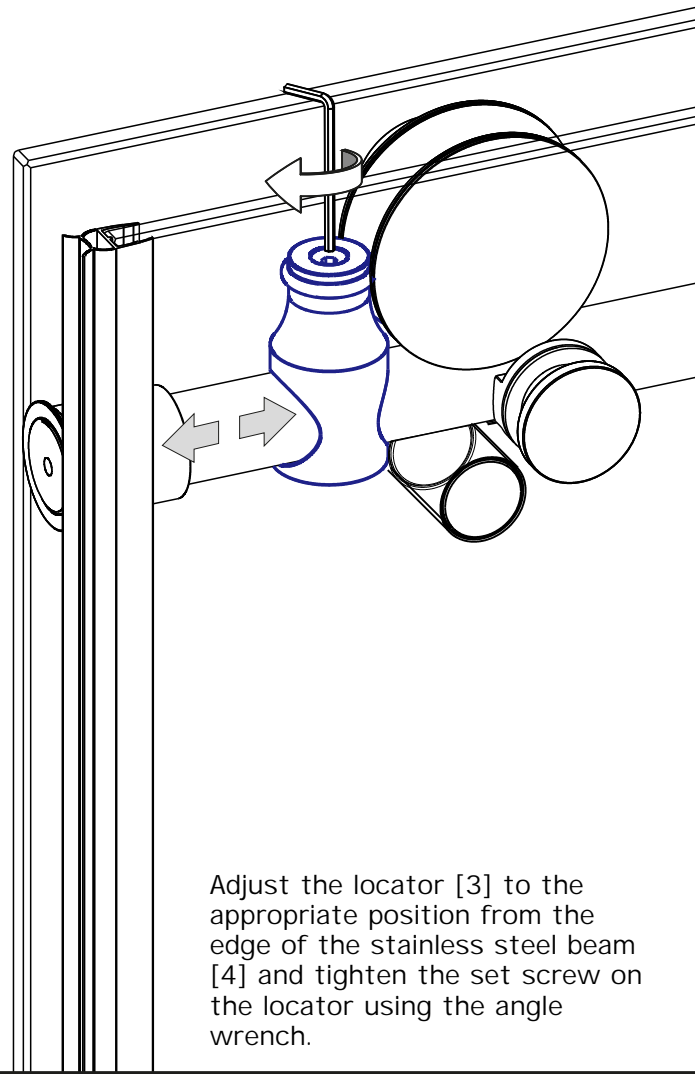
16.3



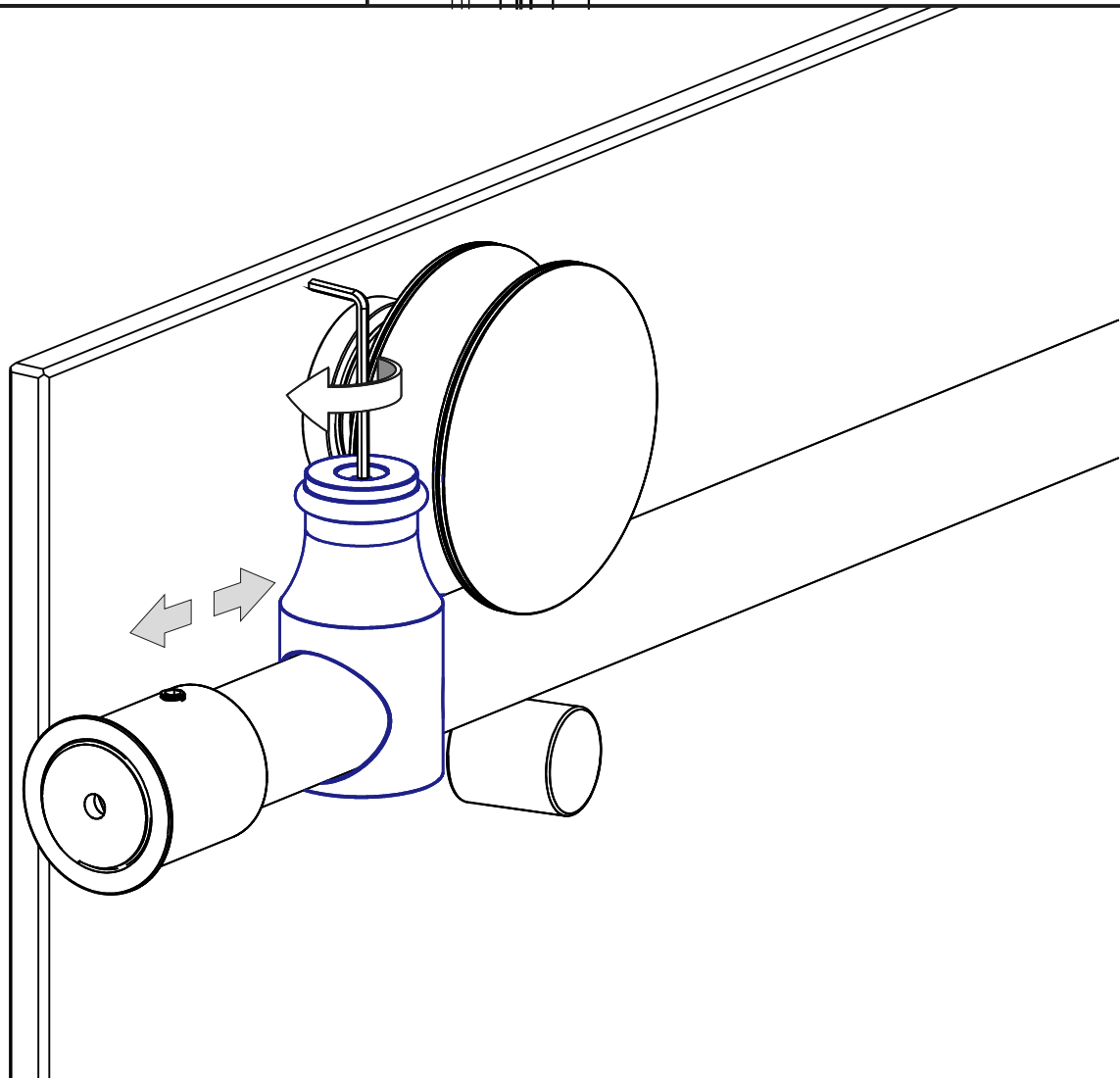
17

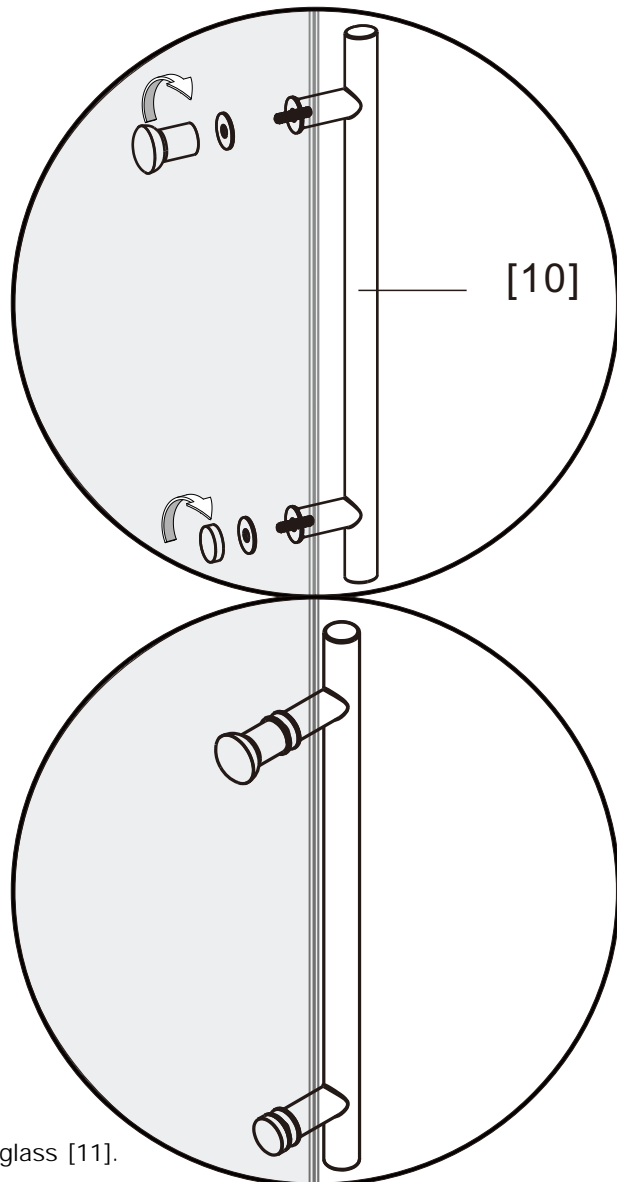


17.1



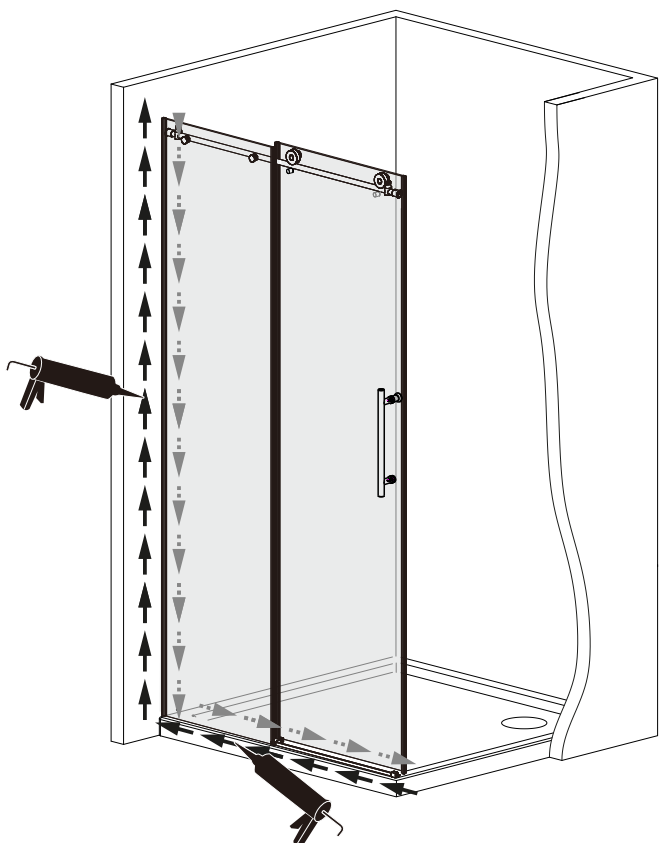
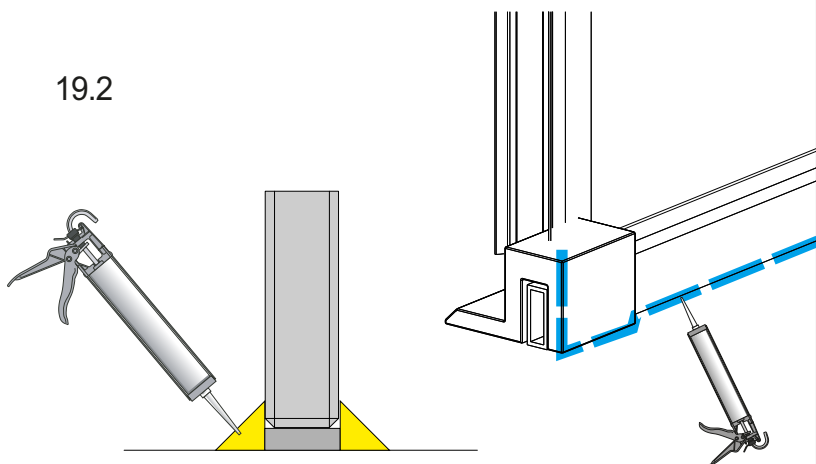
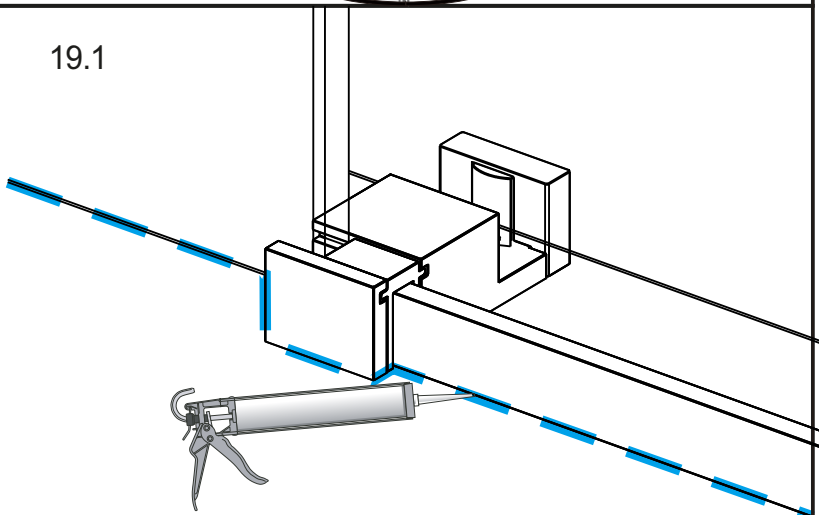
17.2





Install the handle [10] onto the sliding glass [11].

Allow the glass glue to cure for 24 hours before using the shower.



# THANK YOU

We hope you enjoy  
your purchase.

All of our products are crafted with an  
obsessive attention to detail.

Any problem with installation,  
please watch the video.



**Scan Me**