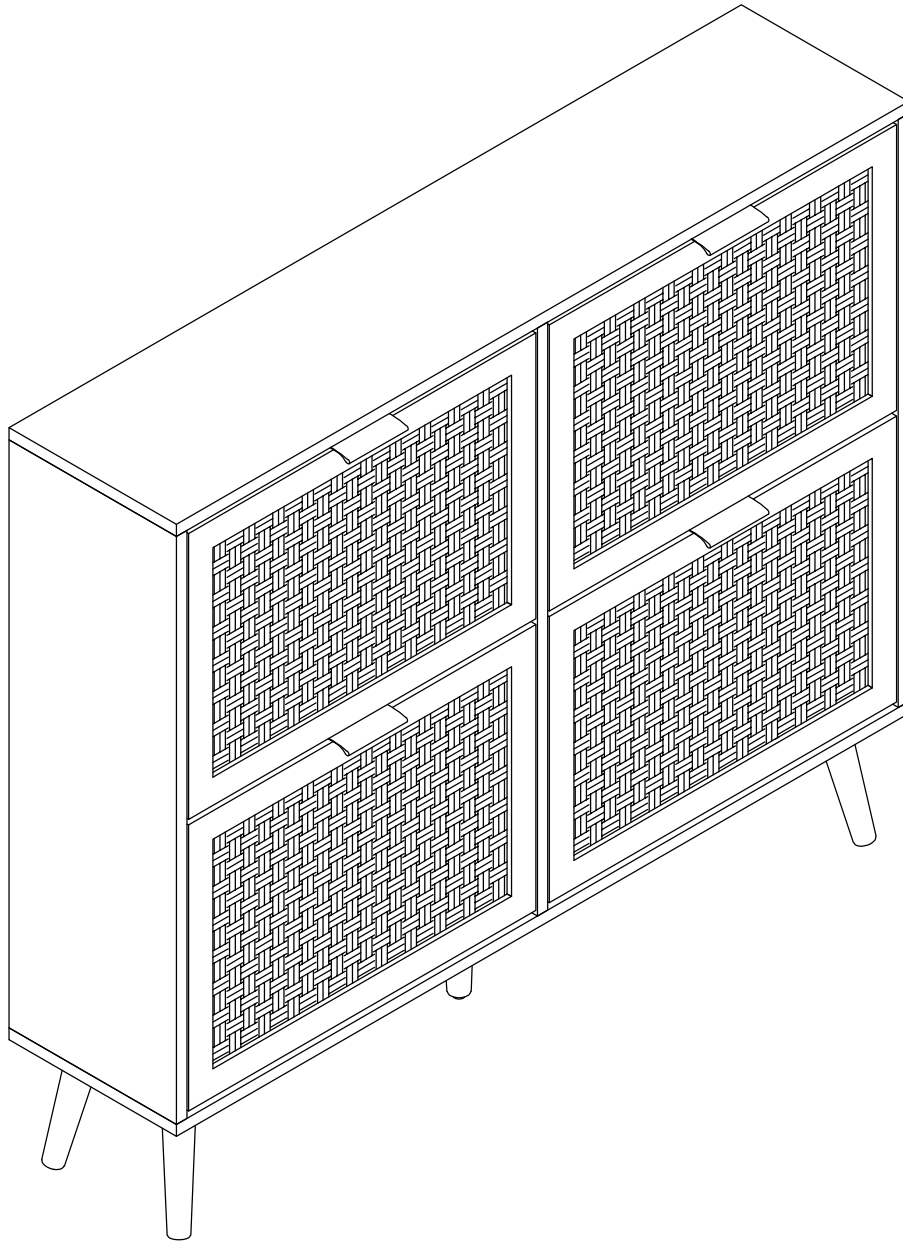


# Installation Instruction



Product name

---

4 Door Cabinet

# Assembling

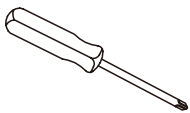
Estimated time for assembly



40:00

## What you need

- Use the packaging carton as a working surface to prevent product damage during assembly
- Phillips head screwdriver



## Weight Limitation



40  
lbs table top

| 11  
lbs per Shelf

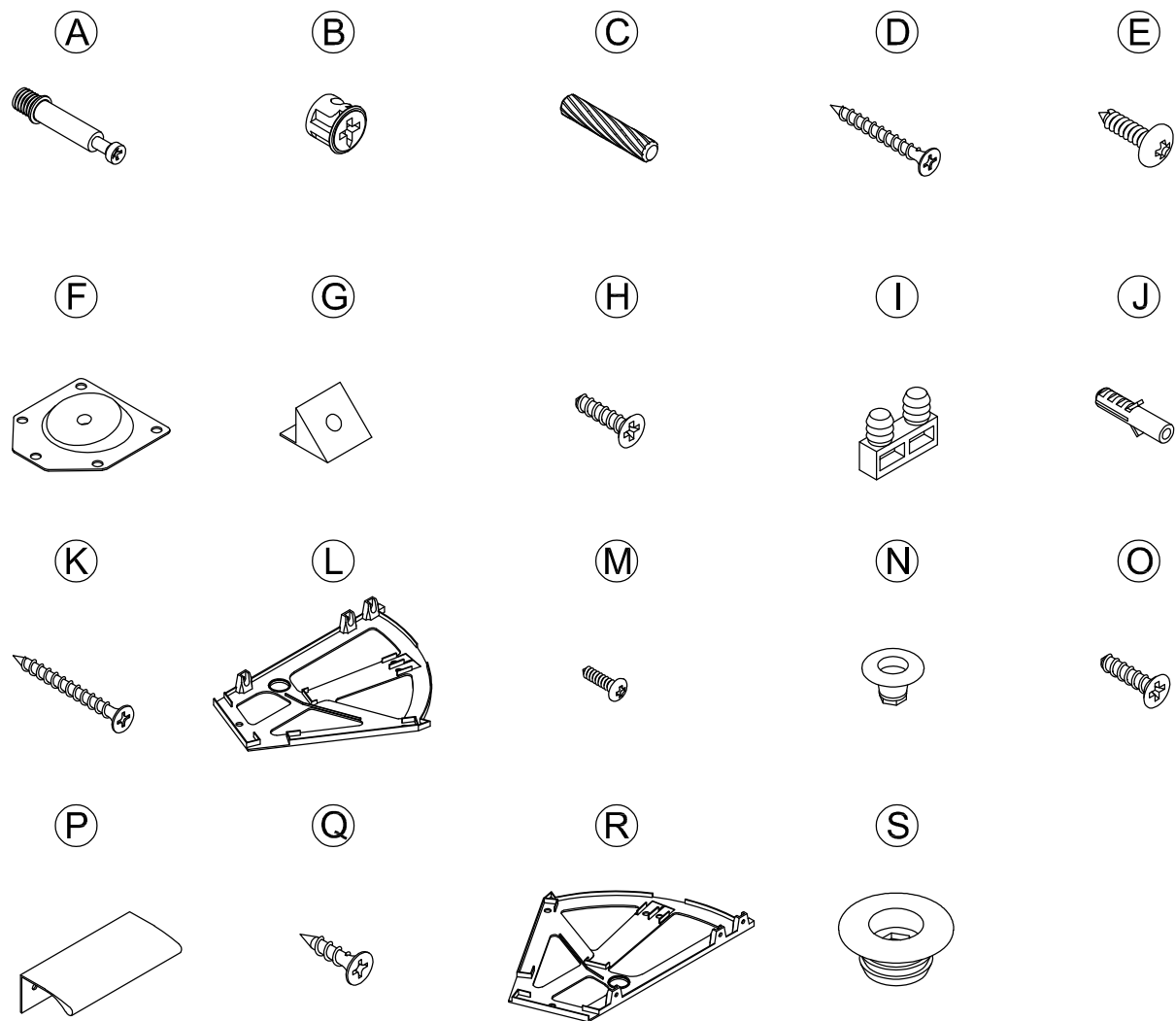


2 PERSONS

# What's included

Code	Description	Qty
A	Cam Bolt M6X35MM	8
B	Cam Lock 15X10MM	8
C	Wooden Dowel M8X30MM	14
D	Screw M4X35MM	8
E	Screw M4X14MM	20
F	Metal Pin	4
G	Plastic corner support	8
H	Screw M3X14MM	8
I	Plastic Stopper	8
J	Wall Plugs	2
K	Screw M4X45MM	2
L	Left Plastic holder	4
M	Screw M4X12MM	8
N	Inner shaft	8
O	Screw M4X14MM	48
P	Handle	4
Q	Screw M3.5X12MM	8
R	Right Plastic Holder	4
S	External Shaft	4

# The Hardwares



## IMPORTANT:

1. Do not tighten bolts / screws completely until all bolts / screws are lined up and inserted into holes.
2. Do not over tighten screws and bolts to avoid stripping.
3. Please use hand tools to assemble this product. Do not use power tools.
4. Must need 2 people to assemble this product.



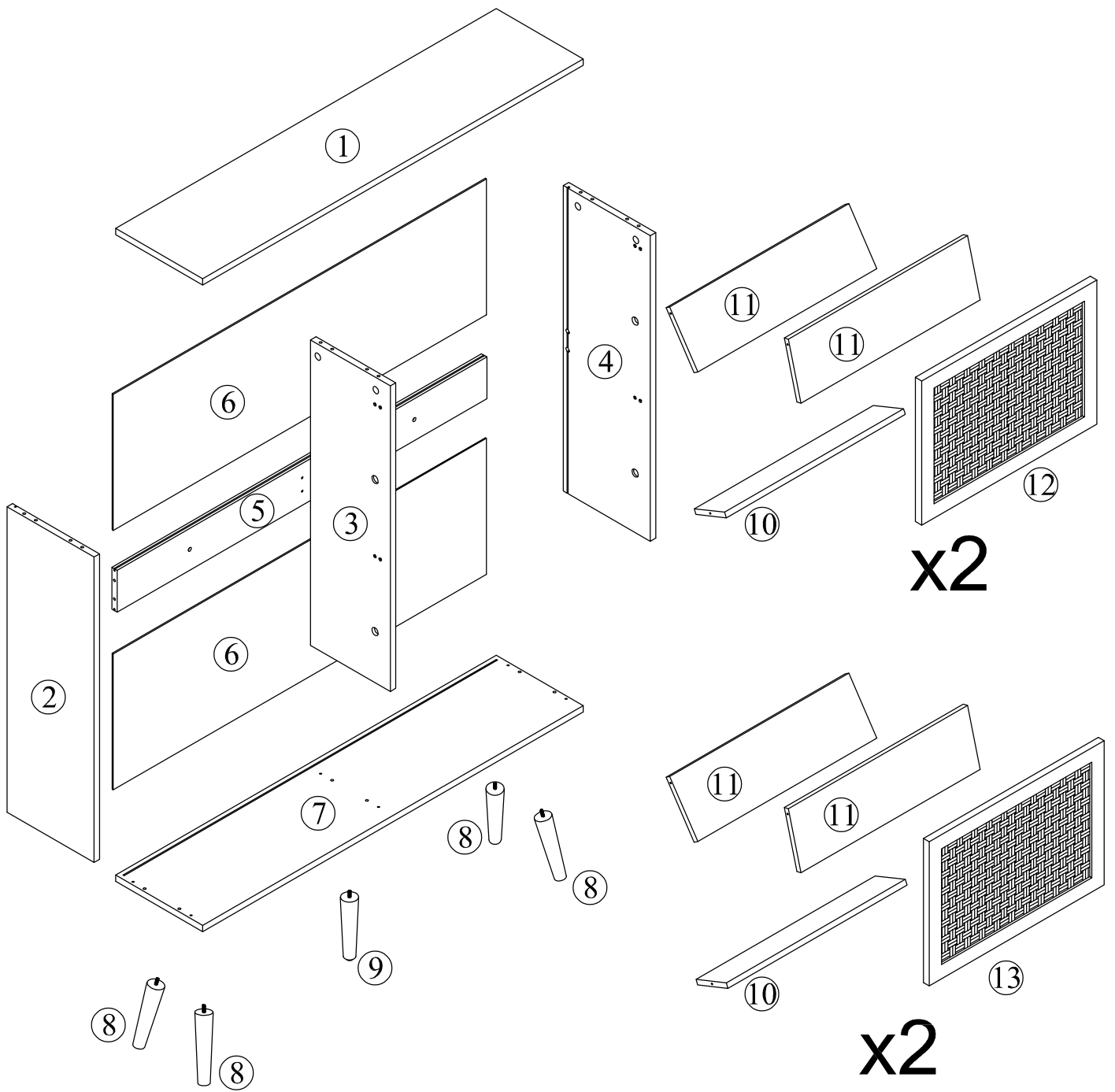
2 PERSONS

# Included Accessories

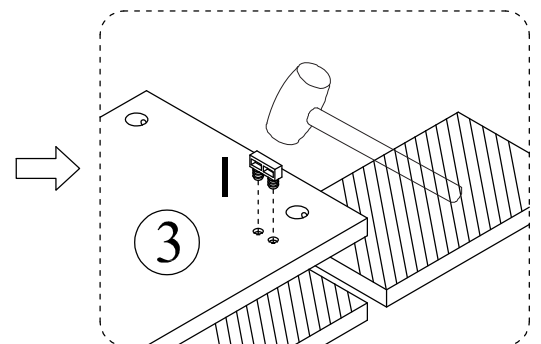
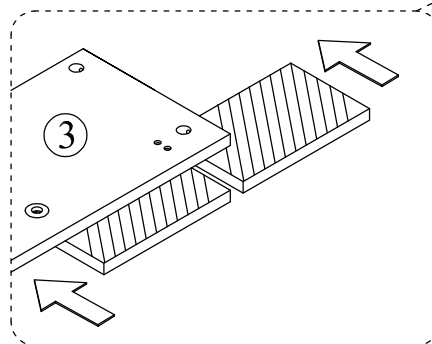
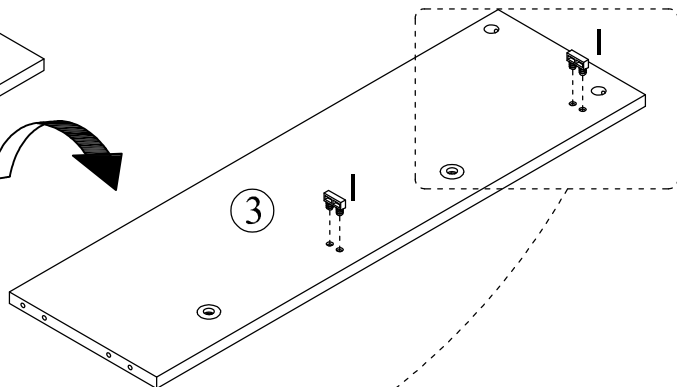
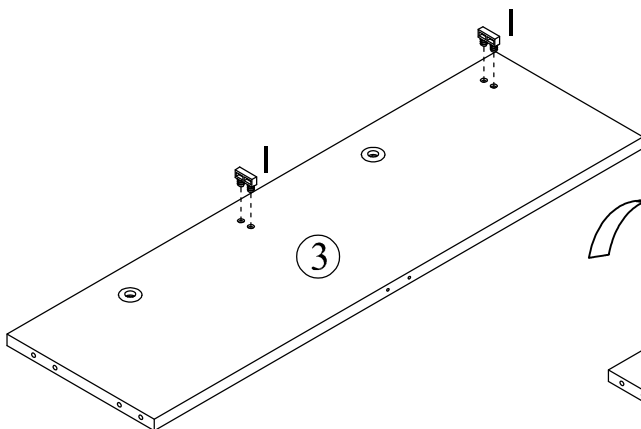
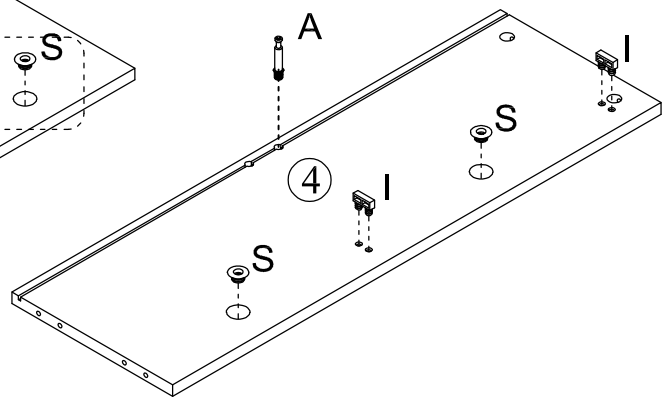
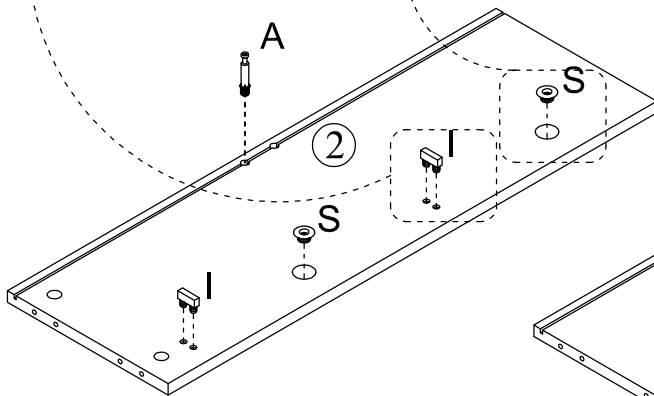
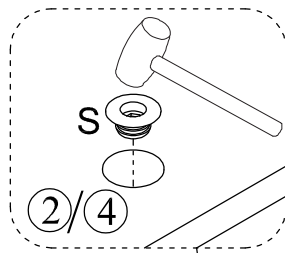
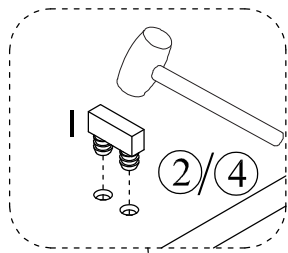
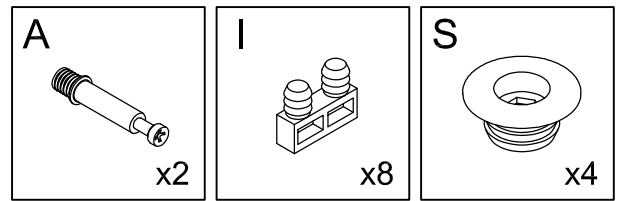
---

Code	Description	Qty
1	Cabinet Top	1
2	Left Side Panel	1
3	Division Panel	1
4	Right Side Panel	1
5	Back Stretcher	1
6	Back Panel	2
7	Bottom Panel	1
8	Feet	4
9	Middle Feet	1
10	Small Partition Board	4
11	Large Partition Board	8
12	Right Front Panel	2
13	Left Front Panel	2

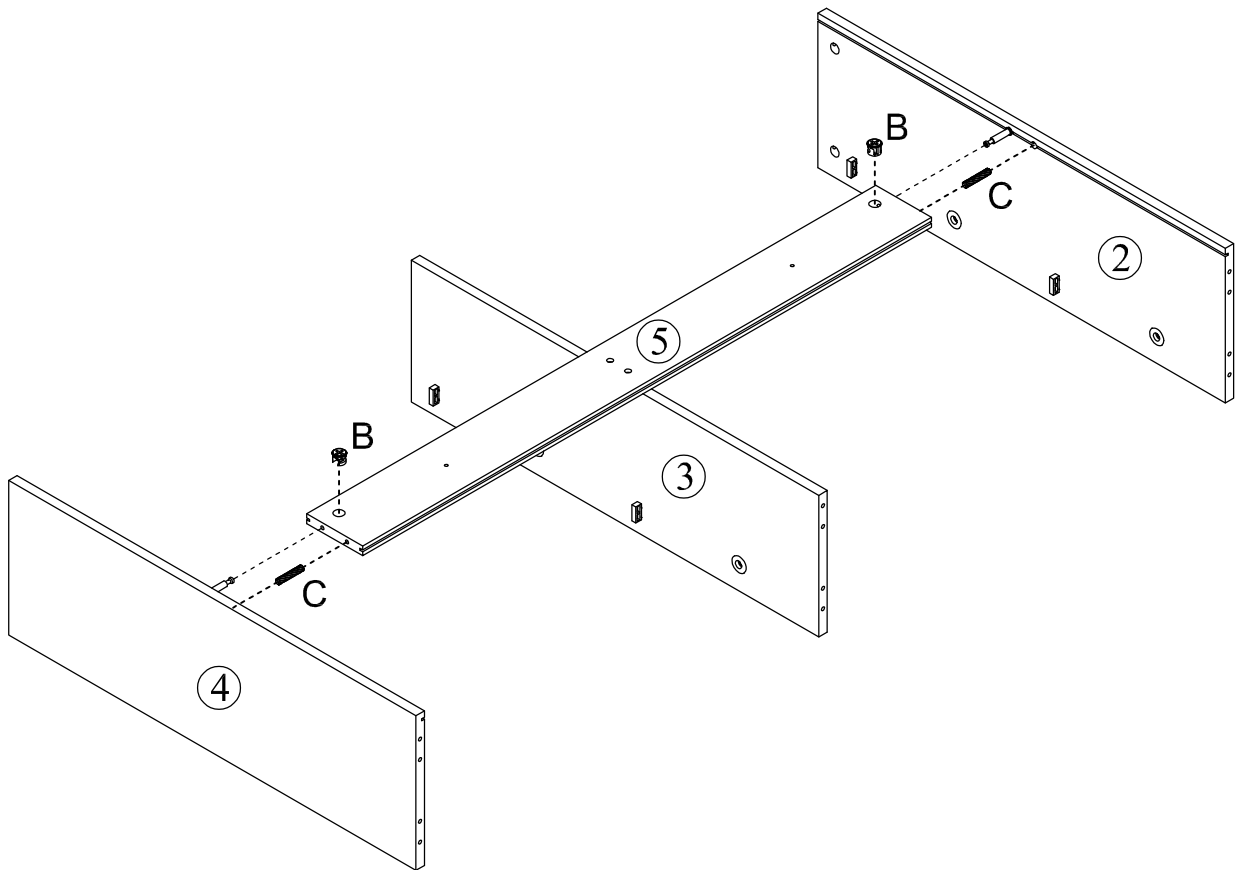
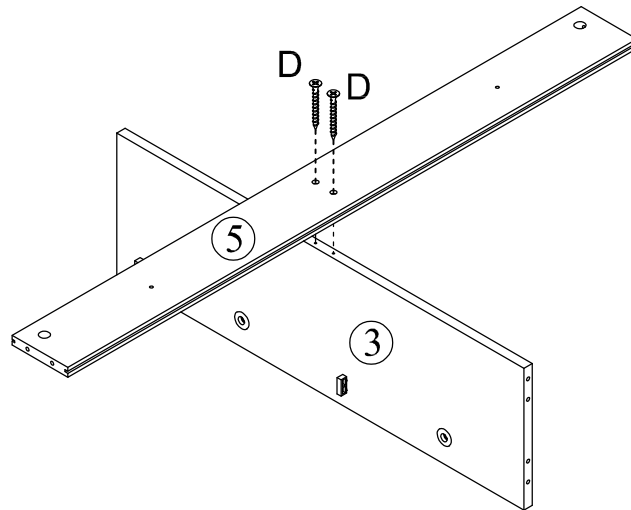
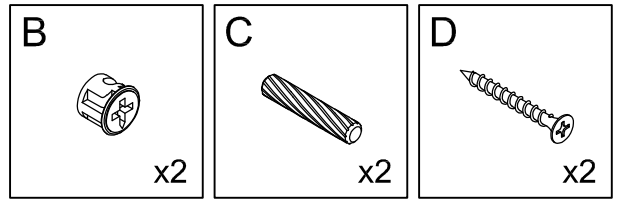
---



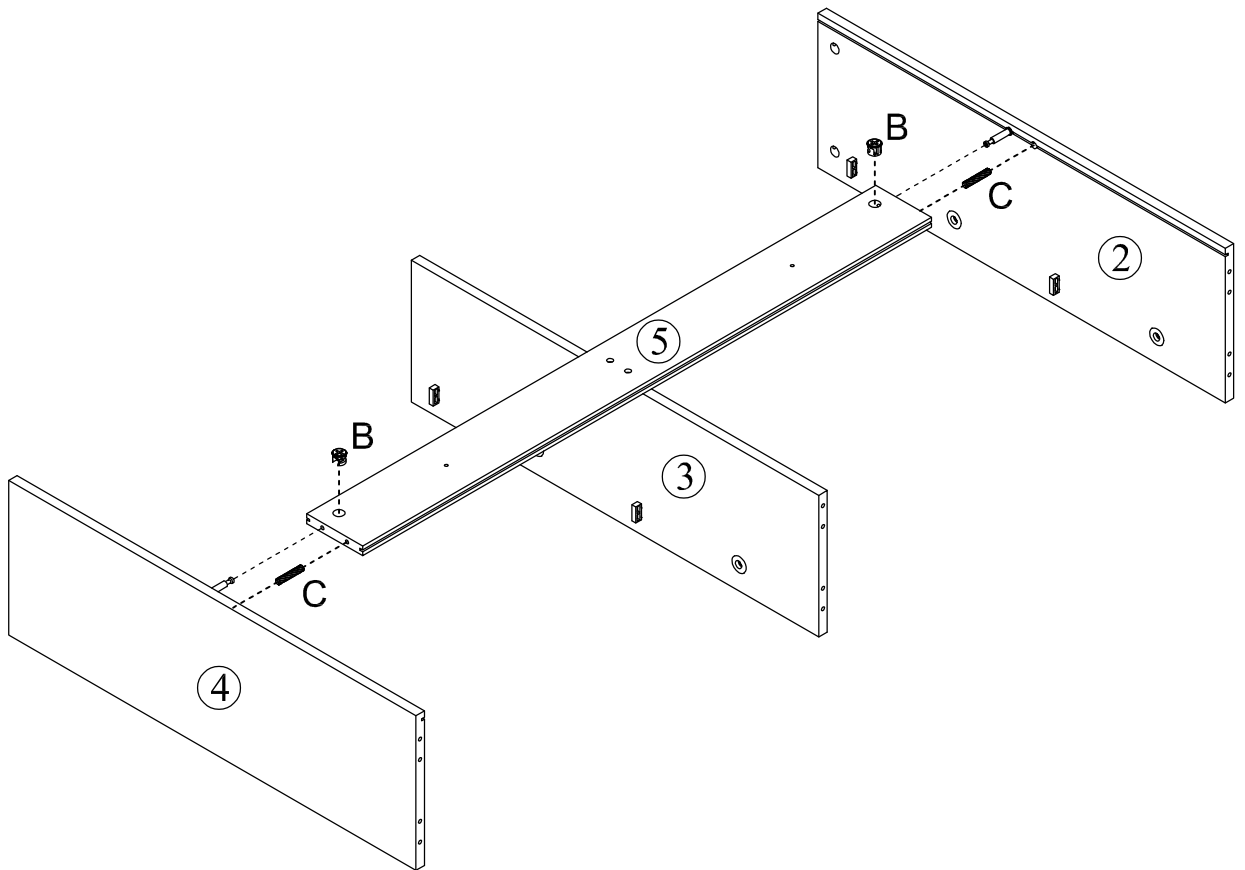
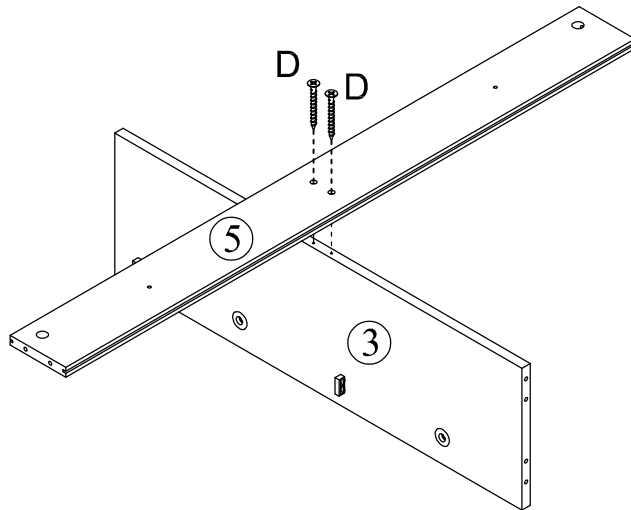
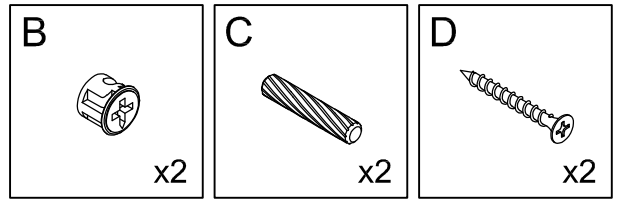
# STEP 1



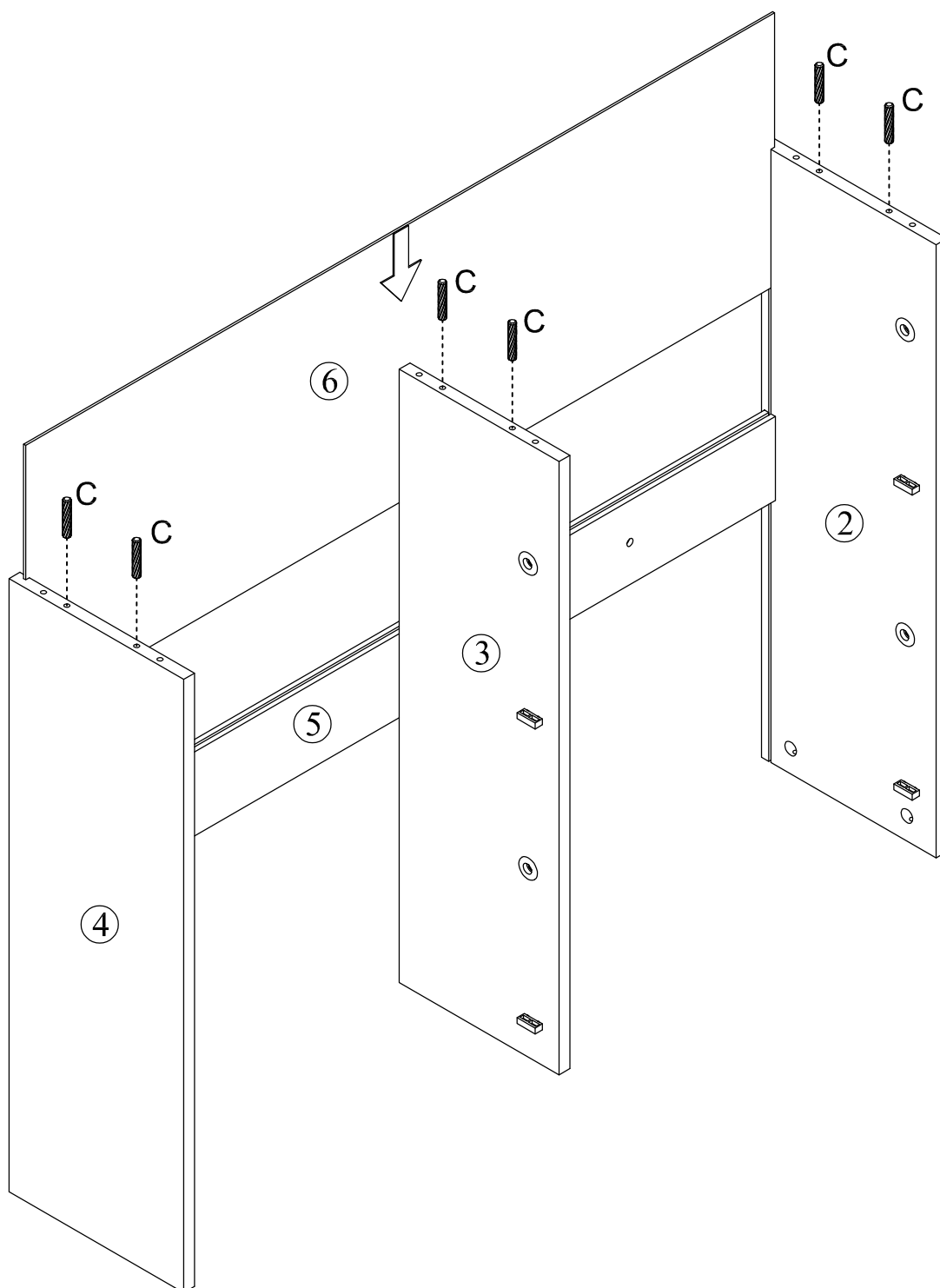
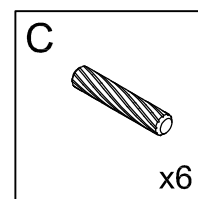
# STEP 2



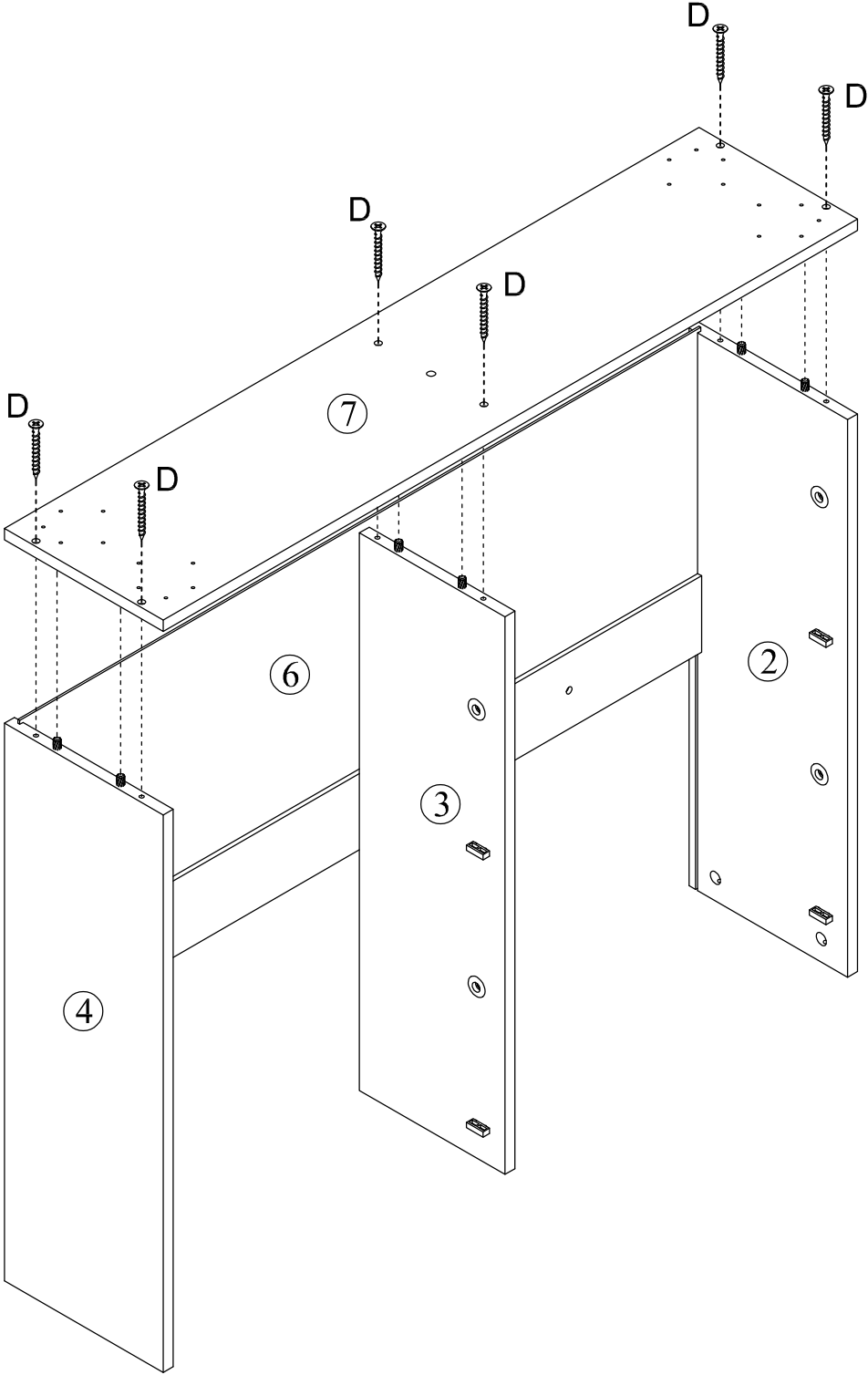
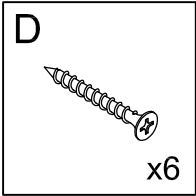
# STEP 2



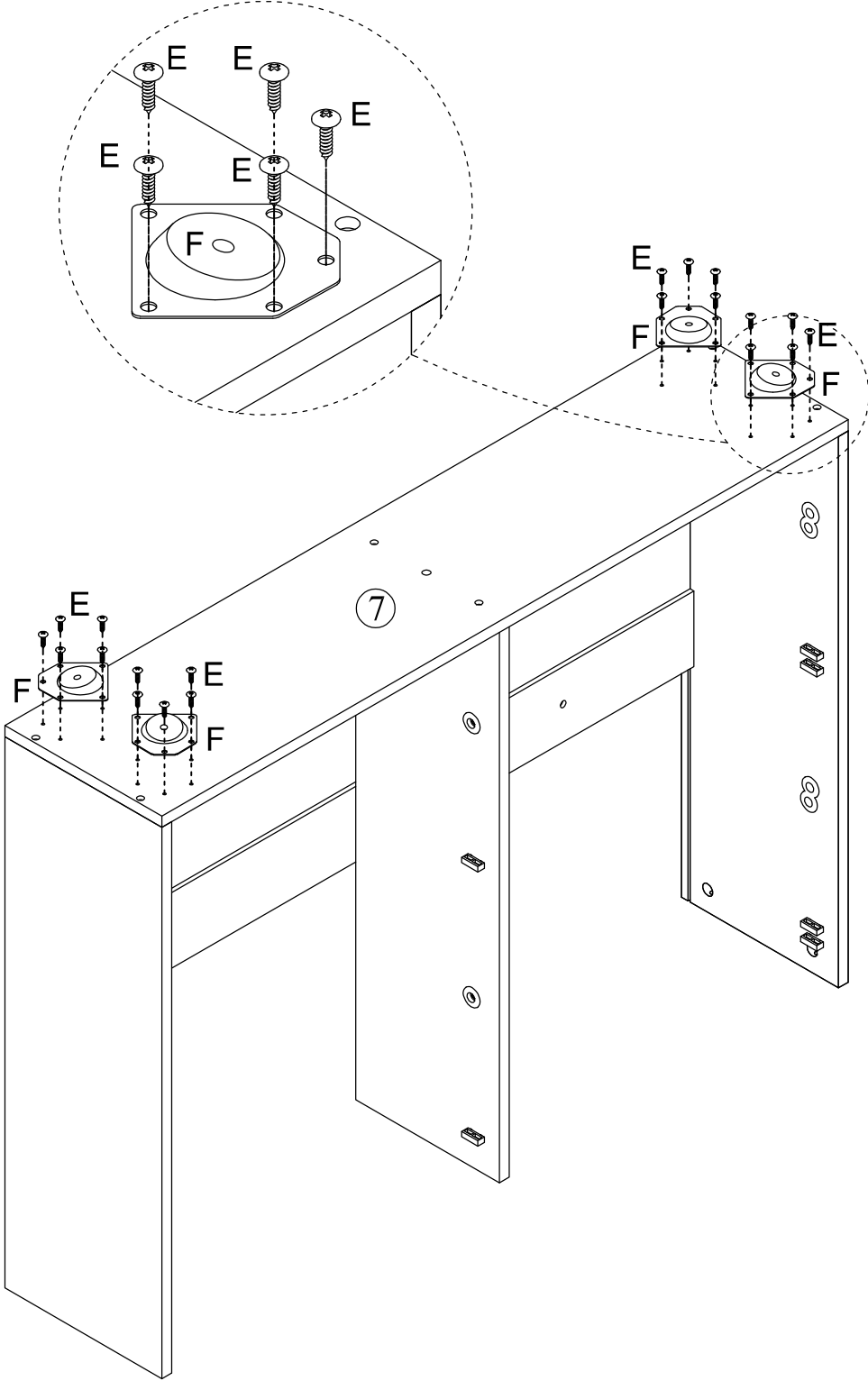
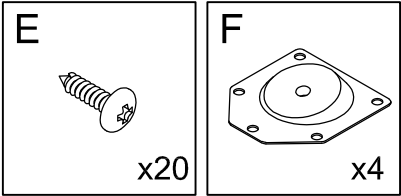
# STEP 3



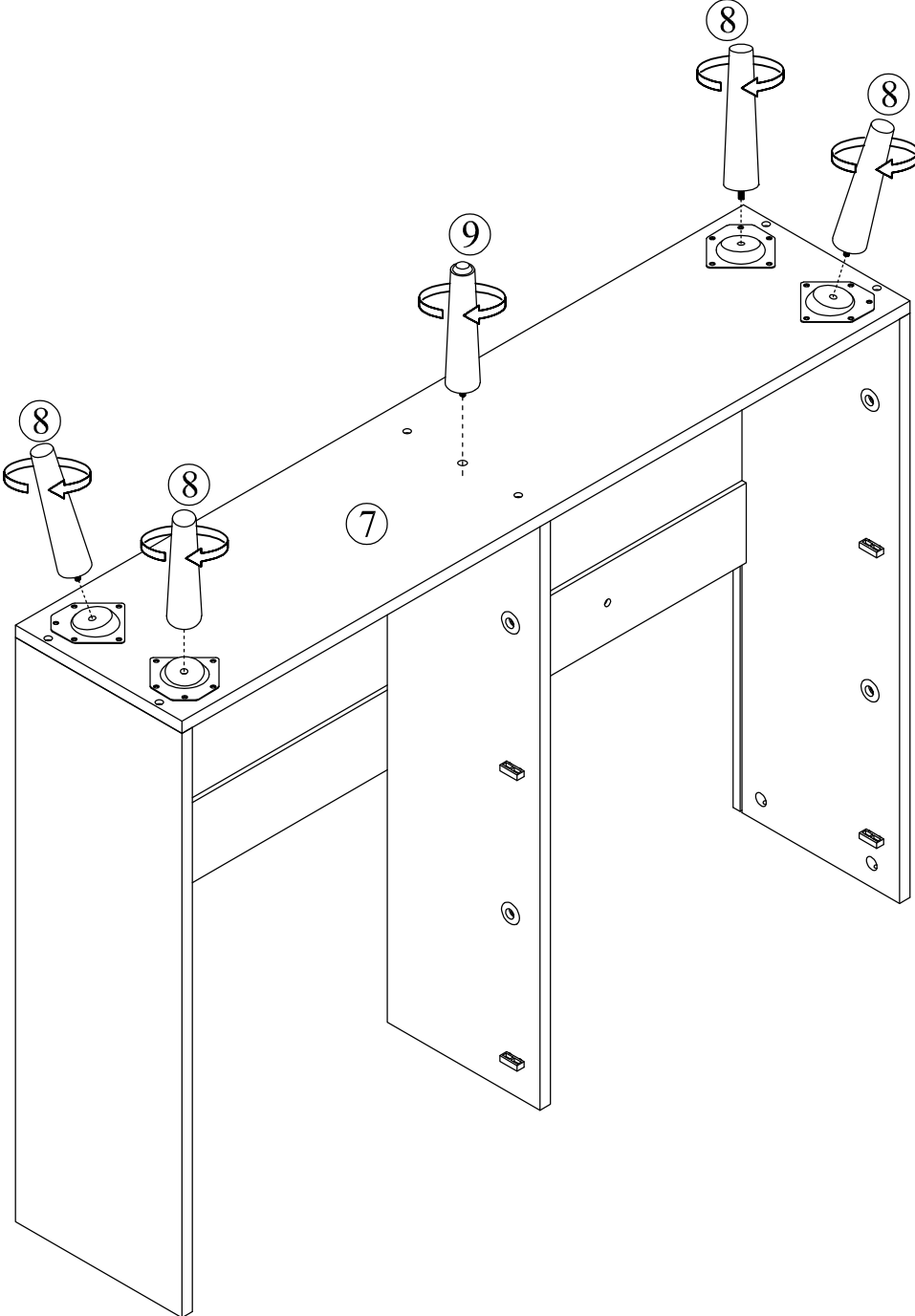
# STEP 4



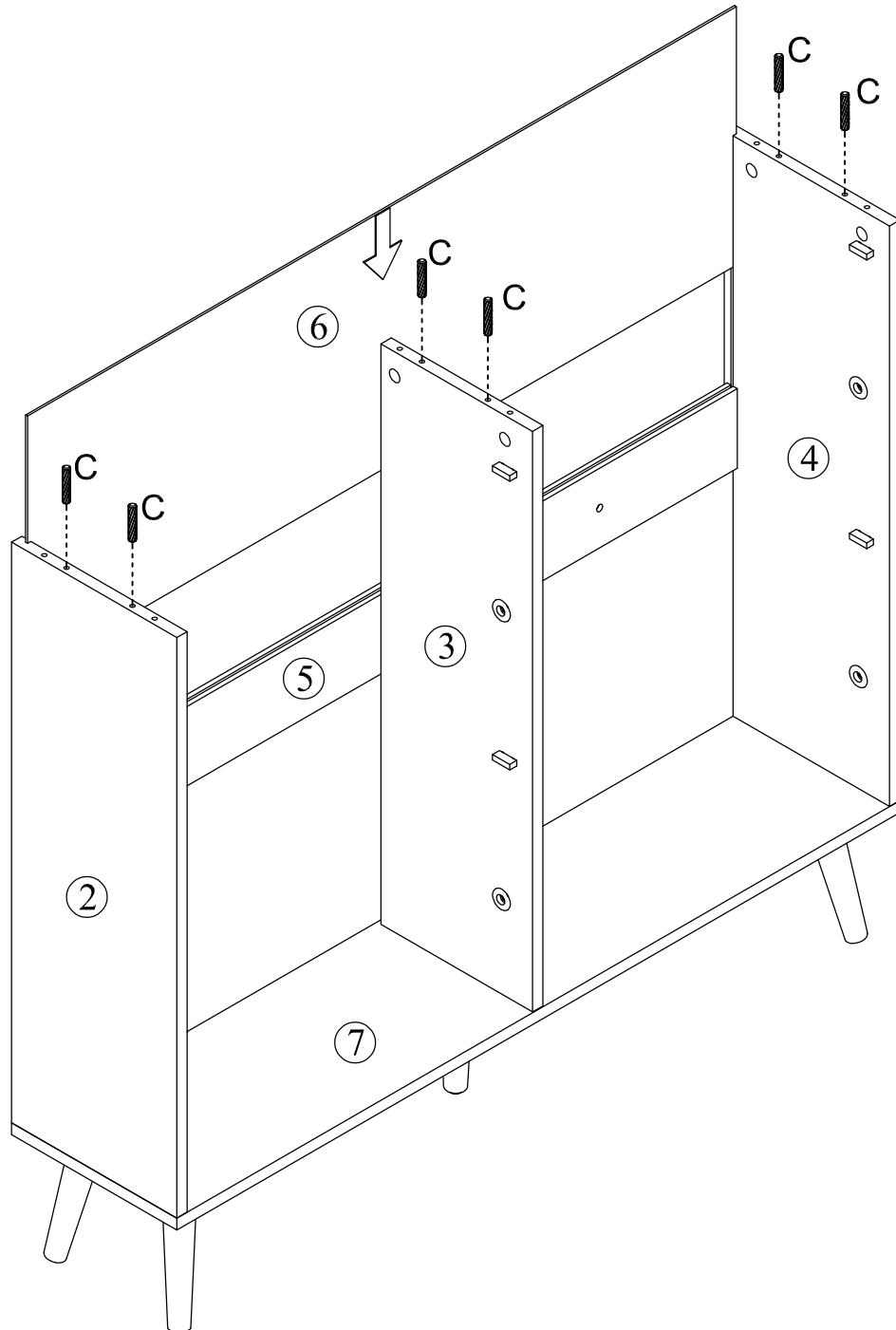
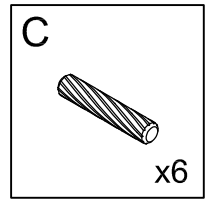
# STEP 5



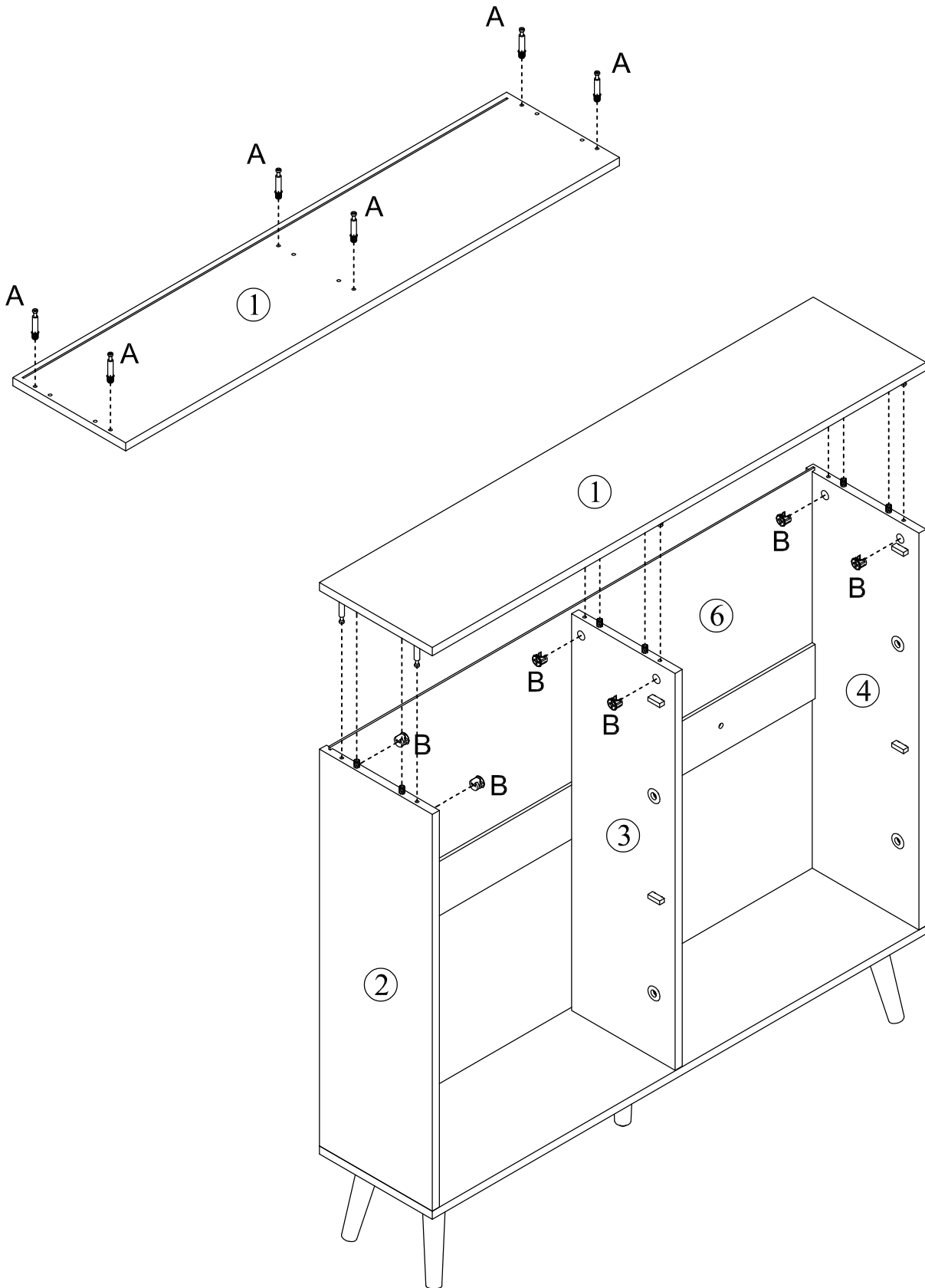
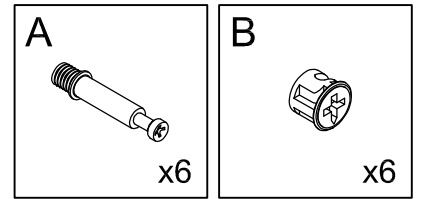
# STEP 6



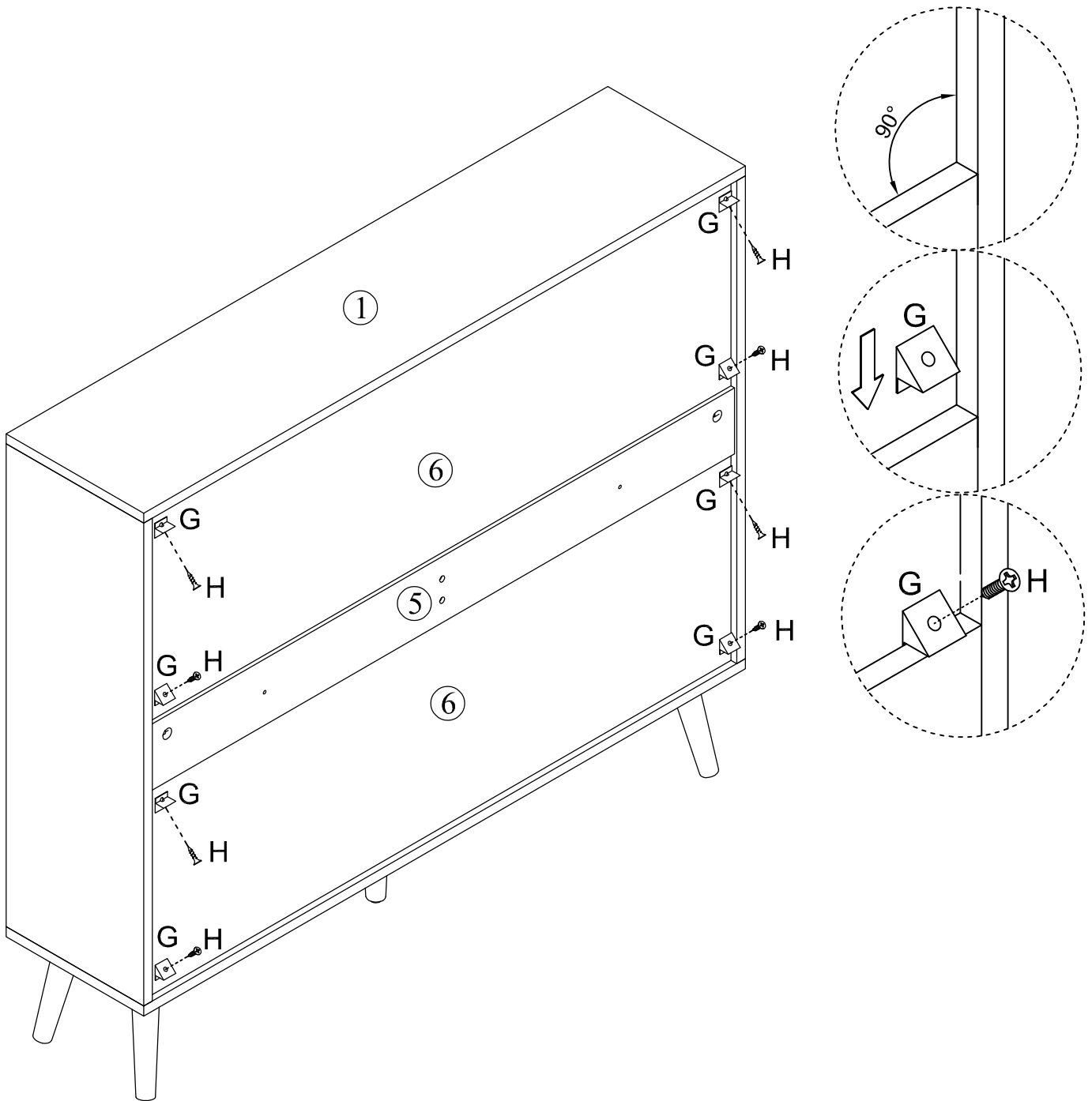
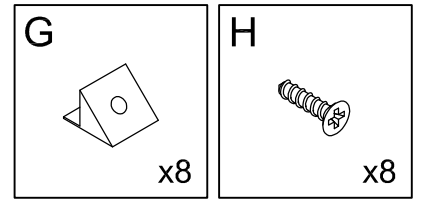
# STEP 7



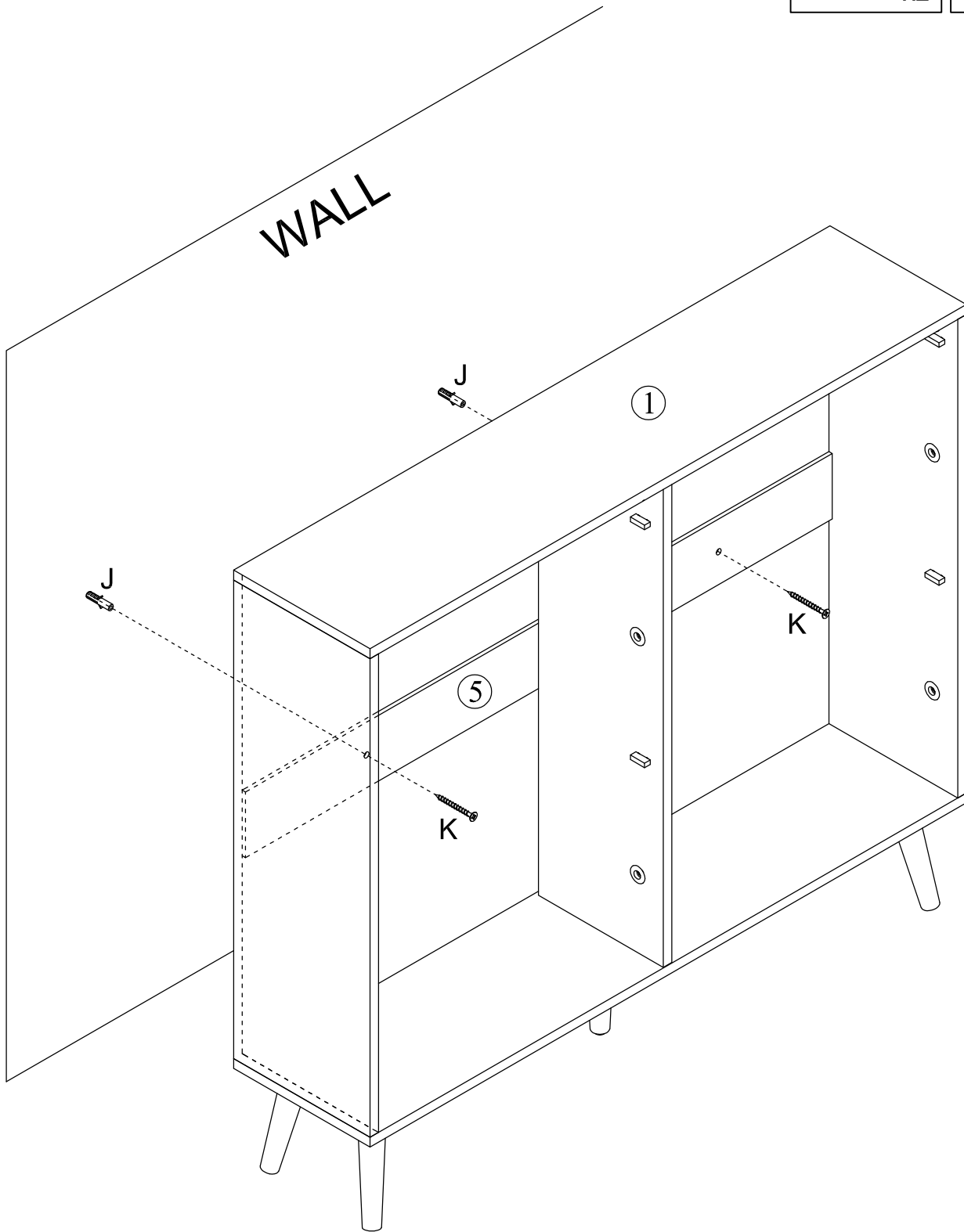
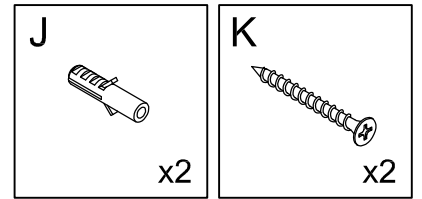
# STEP 8



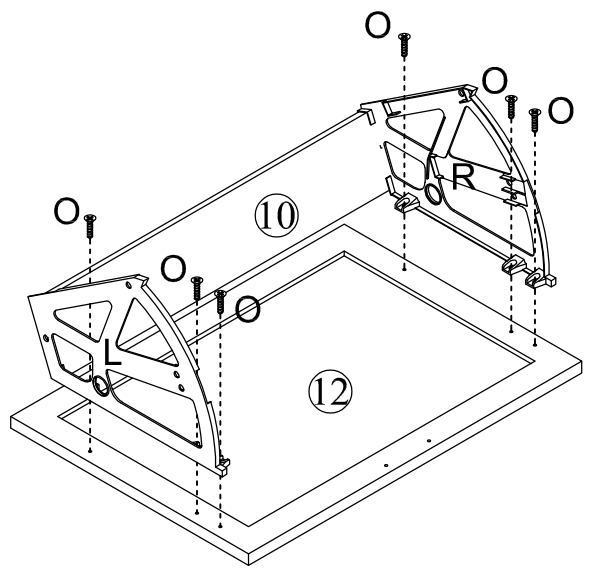
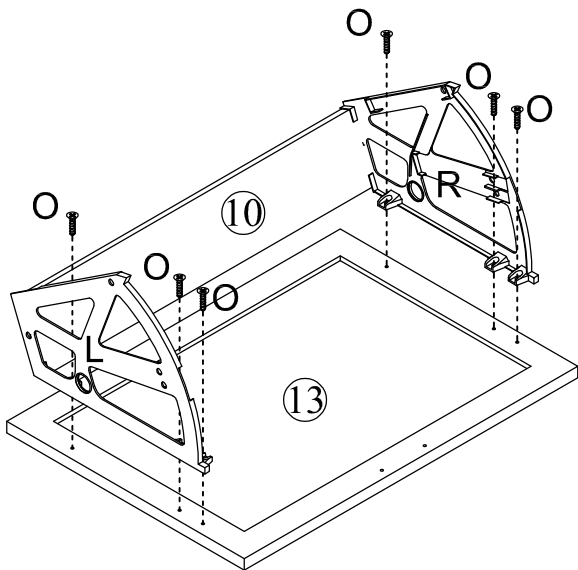
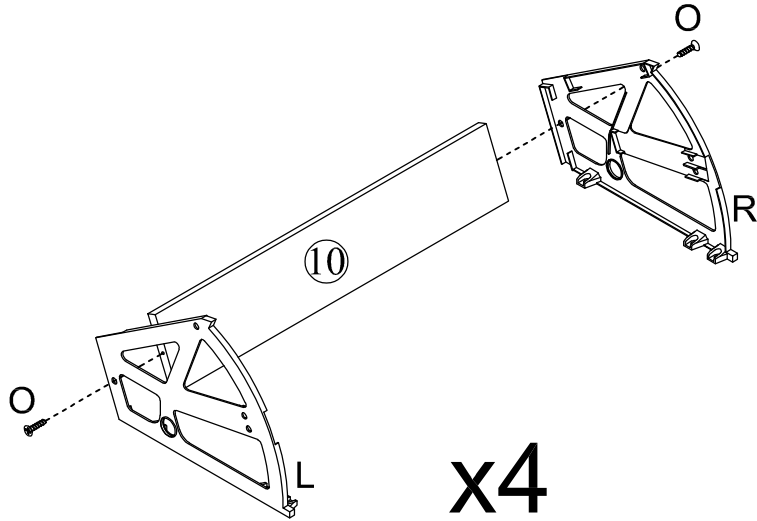
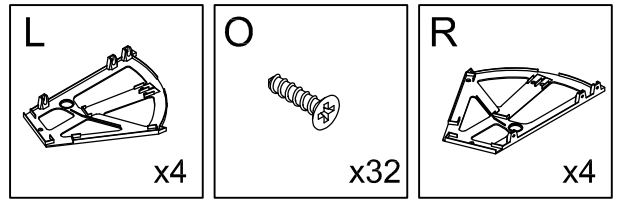
# STEP 9



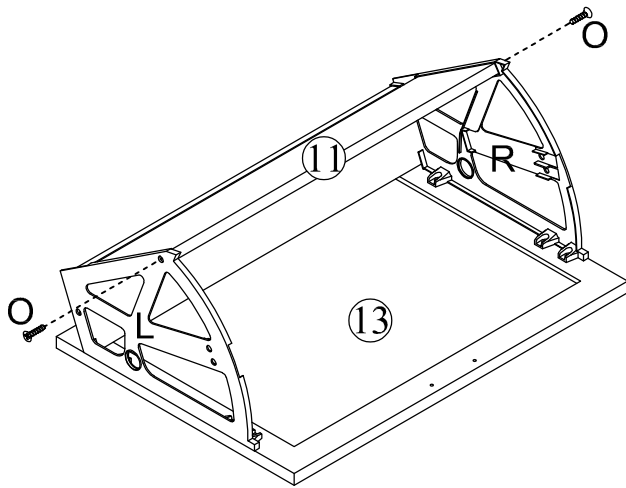
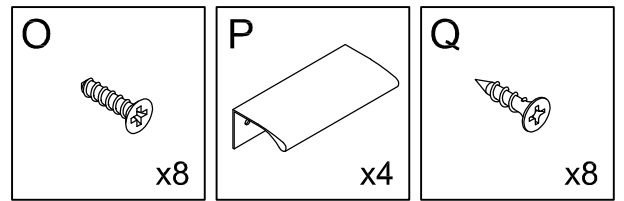
# STEP 10



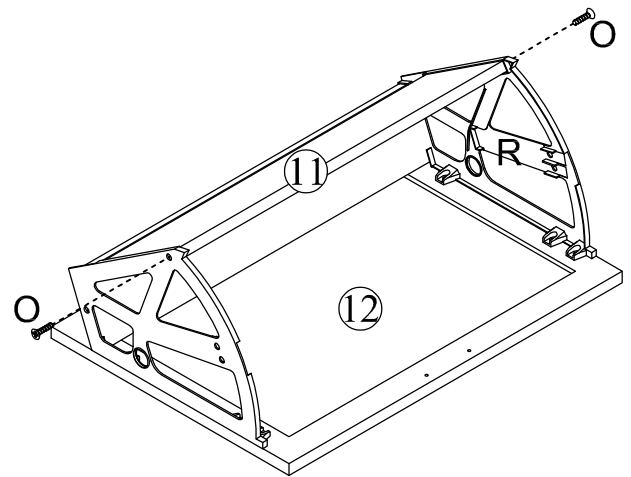
# STEP 11



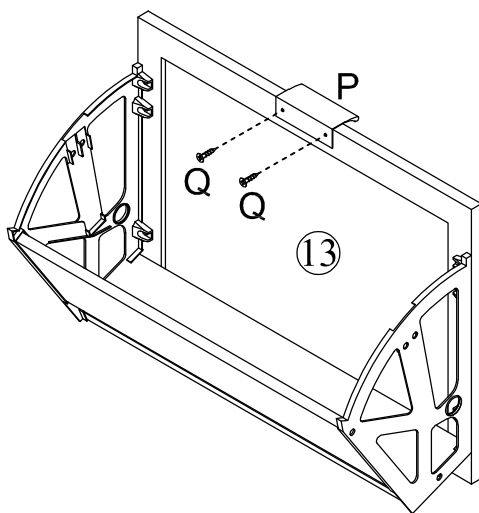
# STEP 12



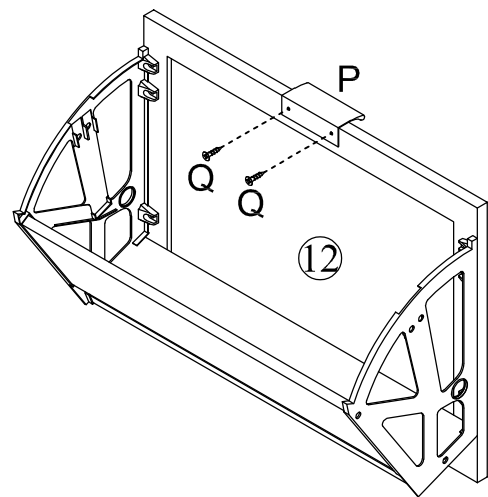
x2



x2



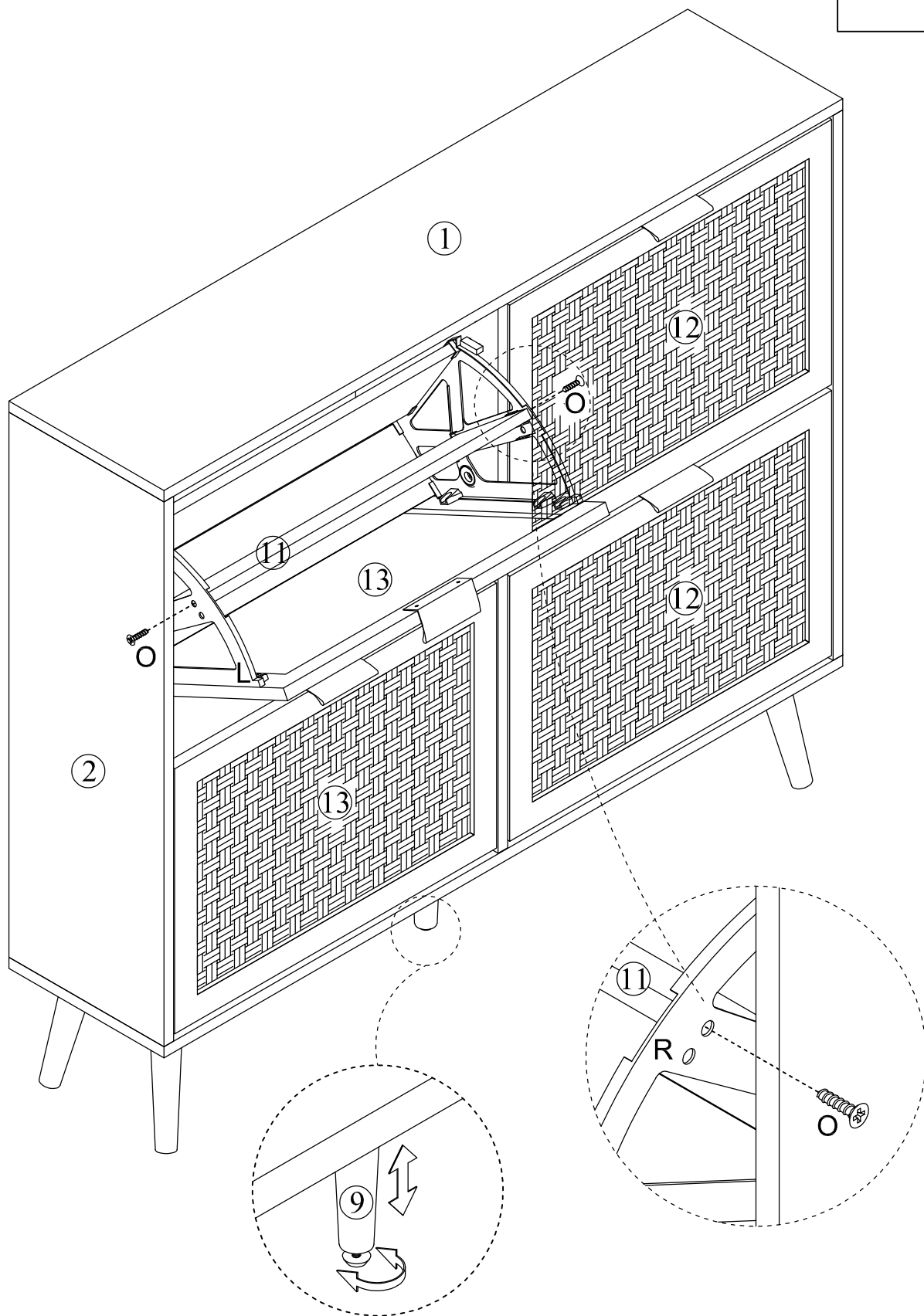
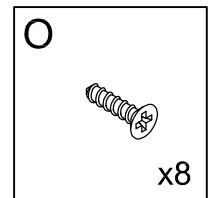
x2



x2



# STEP 14



# Proper Use

- DO NOT** use for commercial purposes
- DO NOT** use as a step stool or stand on table
- DO NOT** put hot serving liquid directly on the table top
- DO NOT** leave spilled liquid on the table top
- DO NOT** use table if damaged
- DO NOT** exceed weight limit
- DO NOT** make temporary repairs
- DO NOT** use outdoor