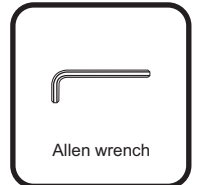
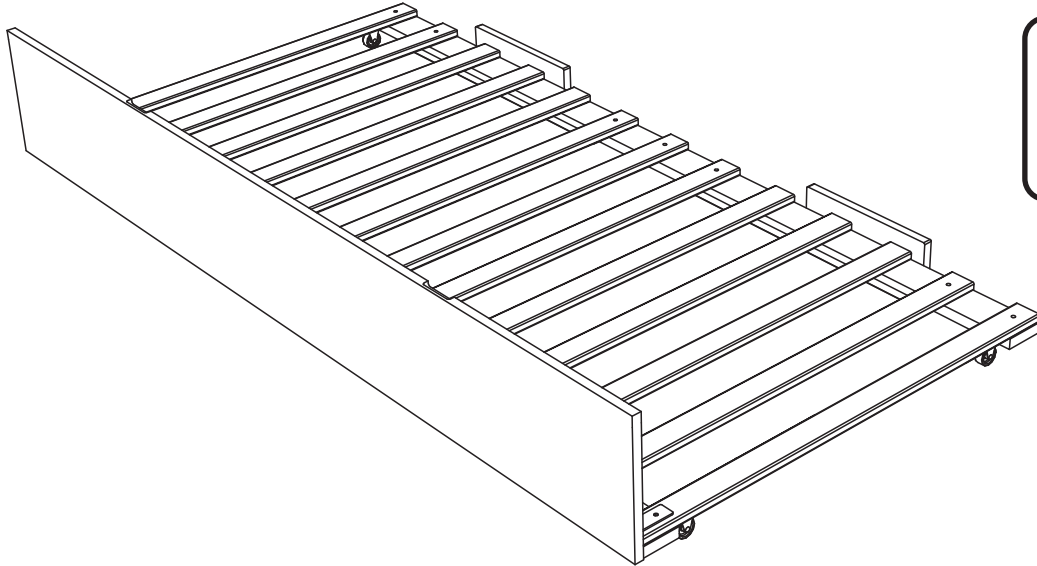


ASSEMBLY INSTRUCTIONS

Before assembling your Trundle bed, please read through these instructions carefully. Familiarize yourself with the different parts.



ATTENTION! If you receive a damaged or defective item, please contact Atlantic Furniture at service@atlanticfurniture.com or 1-800-955-3726

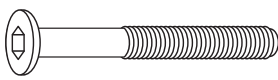


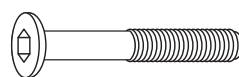
PO :

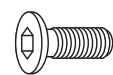


HARDWARE

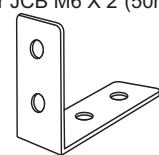
NOTE: WE INCLUDE SPARE HARDWARE IN CASE DAMAGE OCCURS DURING ASSEMBLY.

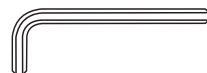
A  JCB M6 X 2 3/8" (60mm) - 4 pcs
Spare - 1 pc

B  JCB M6 X 1 3/4" (45mm) - 17 pcs
Spare - 2 pcs

C  JCB M6 X 5/8" (15mm) - 6 pcs
Spare - 2 pcs
Fix L bracket to front panel

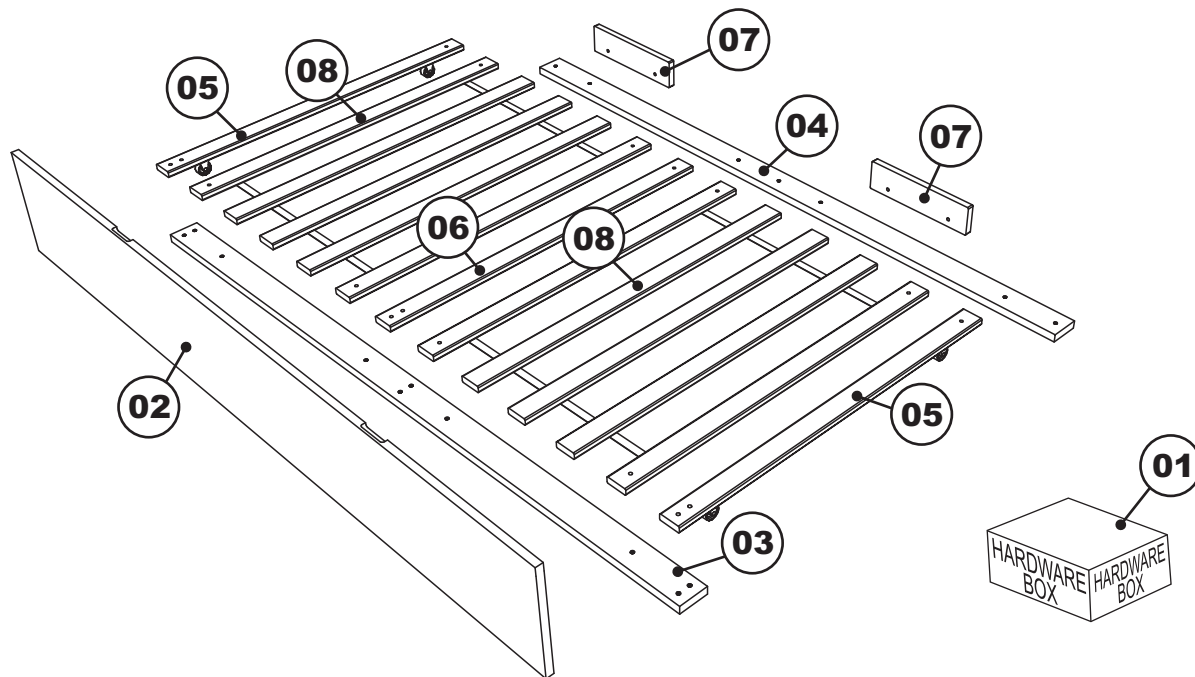
D  Barrel nut - 4 pcs
Spare - 1 pc
For JCB M6 X 2"(50mm)

E  L Bracket - 3 pcs

F  Allen wrench - 1 pc
Spare - 1 pc

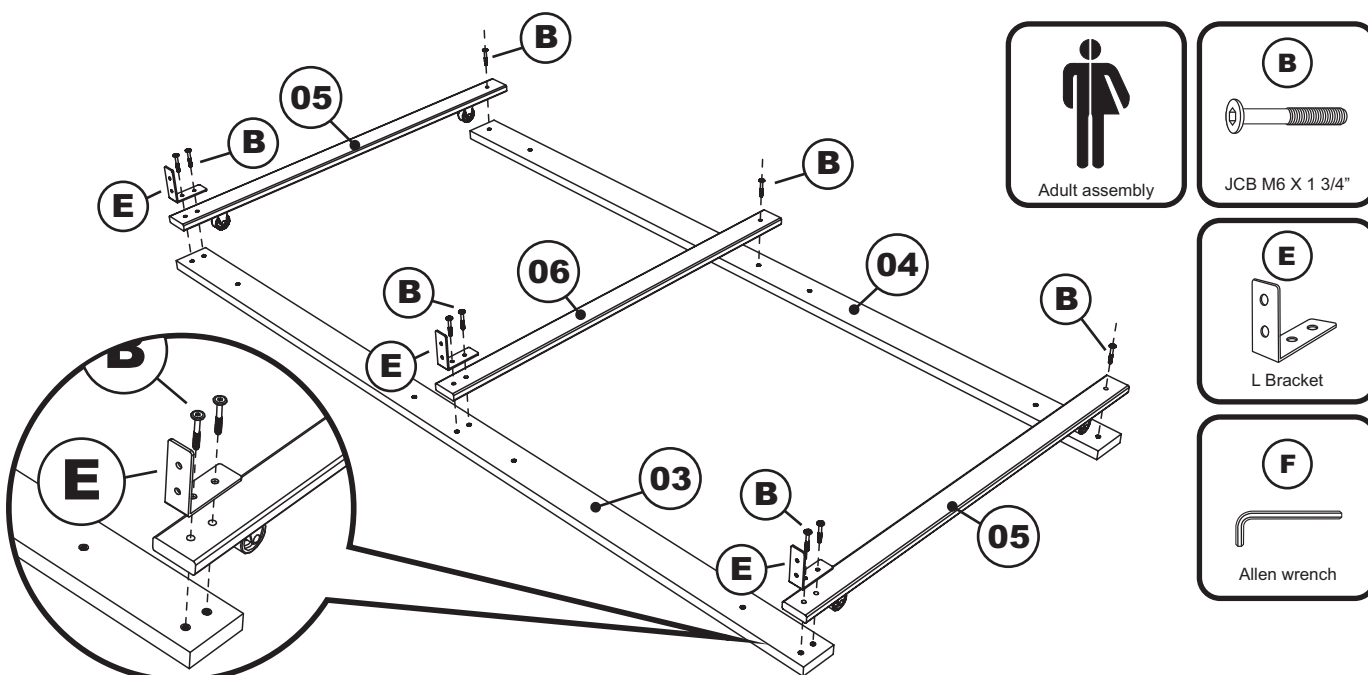
PARTS LIST

01	HARDWARE	1 BOX	05	SIDE CROSS RAIL	2 PCS
02	FRONT PANEL	1 PC	06	CENTER CROSS RAIL	1 PC
03	FRONT RAIL	1 PC	07	REAR BLOCK	2 PCS
04	BACK RAIL	1 PC	08	SLAT KIT	2 SET



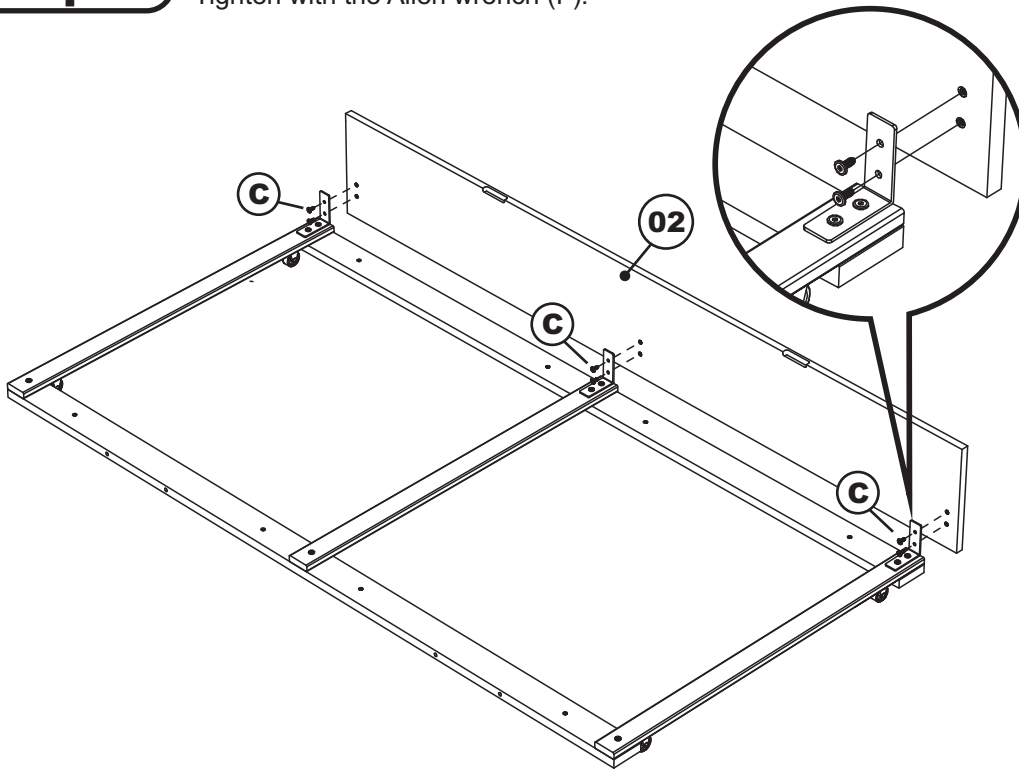
Step 1

Attach the side cross rails (05) and center cross rail (06) to the front and back rail (03)(04), using L bracket (E), JCB M6 X 1 3/4"(B). Tighten with the Allen wrench (F).



Step 2

Attach the front panel (02) to the front rail as shown, using JCB M6 X 5/8" (C). Tighten with the Allen wrench (F).



Adult assembly

(C)



JCB M6 X 5/8"

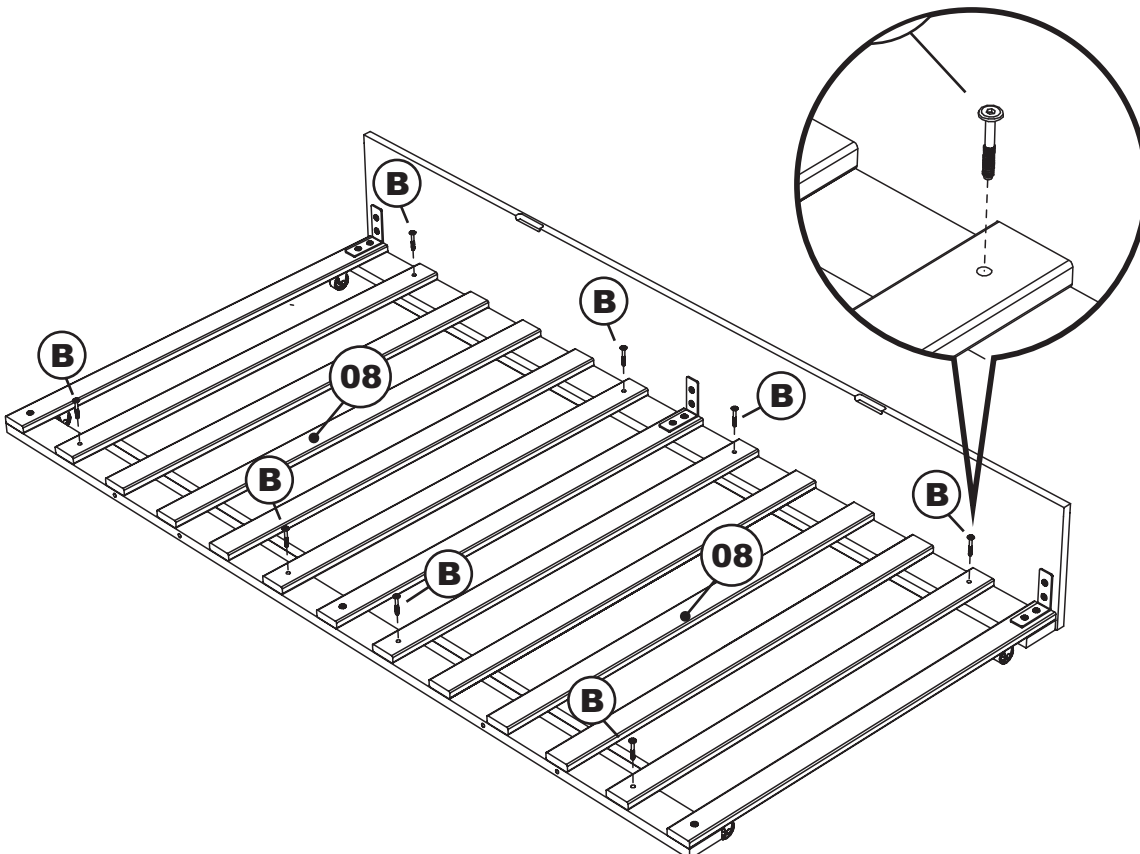
(F)



Allen wrench

Step 3

Lay the slat kit (08) onto the rail assembly as shown, using JCB M6 X 1 3/4" (B). Tighten with the Allen wrench (F).



Adult assembly

(B)



JCB M6 X 1 3/4"

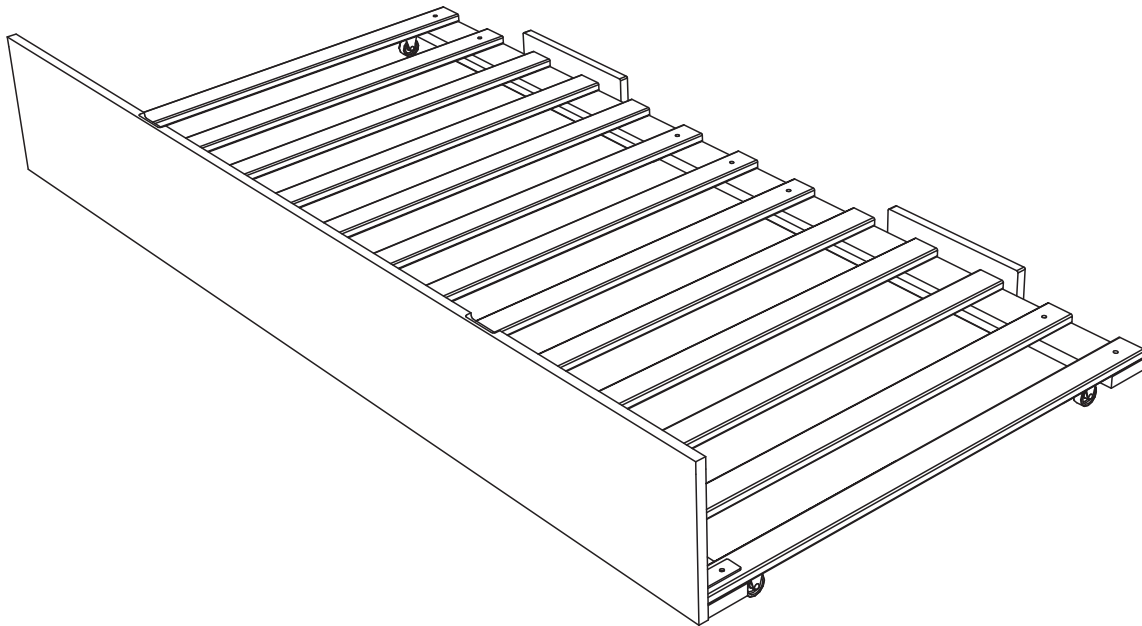
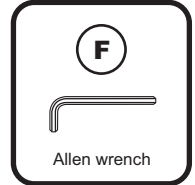
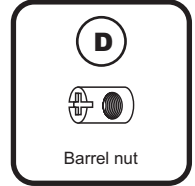
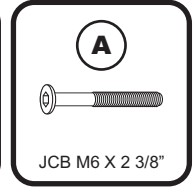
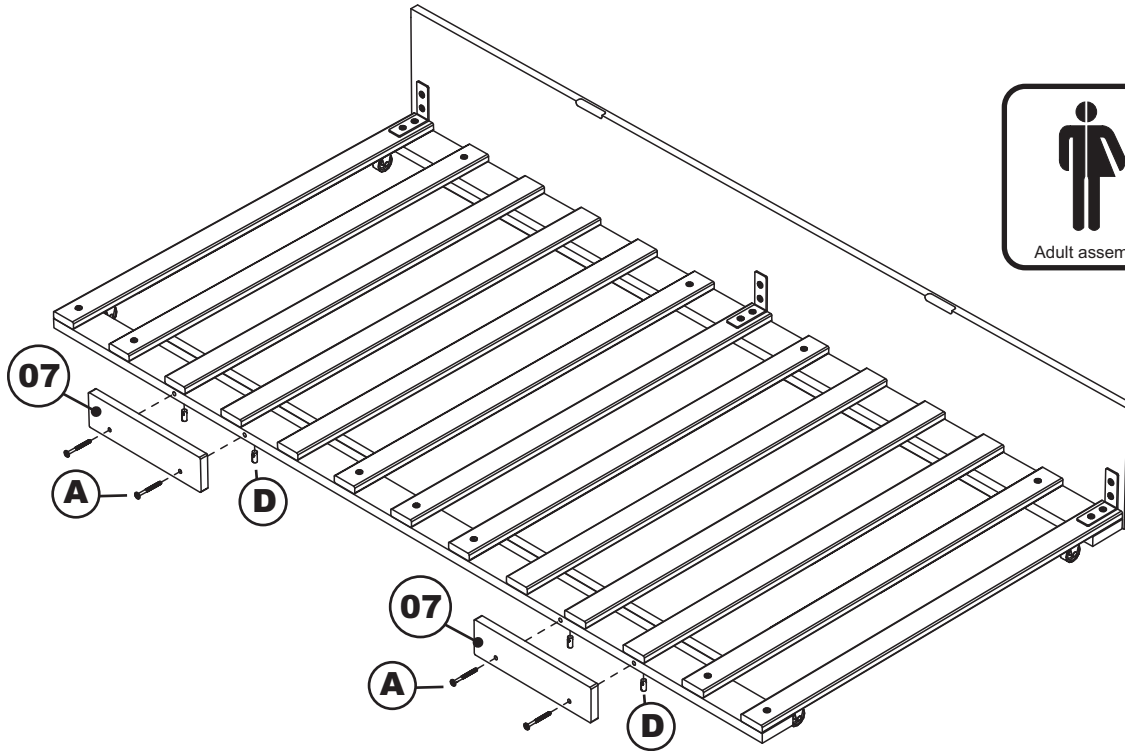
(F)



Allen wrench

Step 4

Attach the rear block (07) to the back rail as shown. Using JCB M6 X 2 3/8" (A) barrel nut (D), tighten with the Allen wrench (F)



Congratulations!

Your Trundle bed is now ready for use.
We recommend that you periodically check that all screws are tight
and all parts are secure to ensure lasting safety.