

ASSEMBLY INSTRUCTIONS

Thank you for purchasing this quality product. Be sure to check all packing material carefully for small Hardware which may have come loose inside the carton during shipment. Identify and count all hardware and compare with the hardware list below

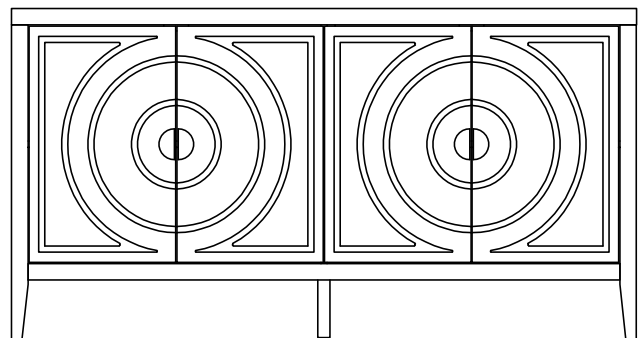
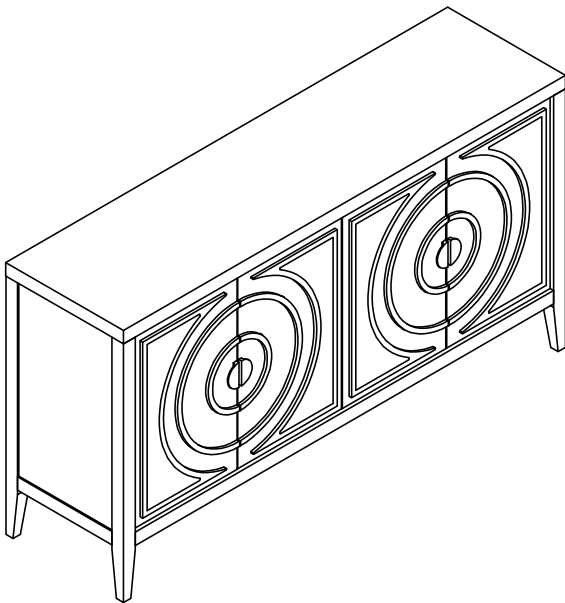
ASSEMBLY INSTRUCTION :

1. Remove hardware from box and sort by size.
2. Please check to see that all hardware and parts are present prior start of assembly.
3. Please follow attached instruction in the same sequence as numbered to assure fast and easy.



WARNING !

1. Don't attempt to repair or modify parts that are broken or defective. Please contact the store immediately.
2. This product is for home use only and not intended for commercial establishments.
3. Two persons are required for assembly.
4. Approximate assembly time: 1/2 hours
5. Component parts and fittings contained in the box.
Please sort out all parts before you begin to assemble the item.
This is to make sure you always use the correct part
6. It is **STRONGLY RECOMMENDED** that you **ANCHOR** this product.
Toppling furniture can cause serious injuries and death.
This product has not been fitted with an anchor strap.
To prevent your furniture from tipping forward it is strongly recommended that you securely attach this product to a wall or other solid surface, using the anchor straps provided and appropriate fixings.



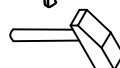
TOOLS NEEDED: Phillips Screwdriver



Wall Drill

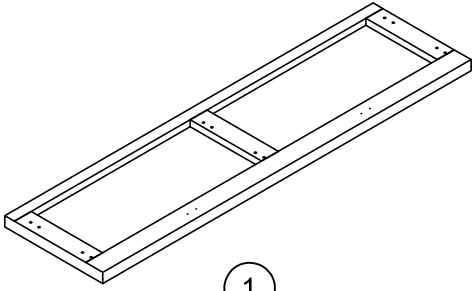


Hammer

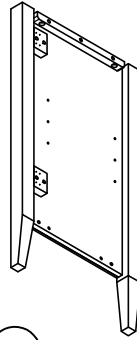


ASSEMBLY INSTRUCTIONS

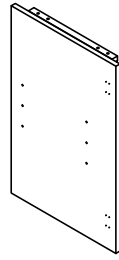
PART LIST



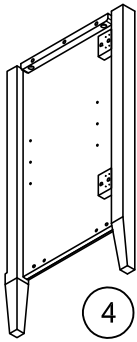
1
x1
Top panel



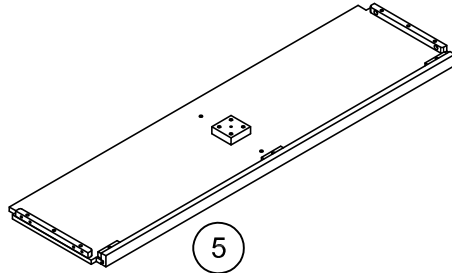
2
x1
Left side panel



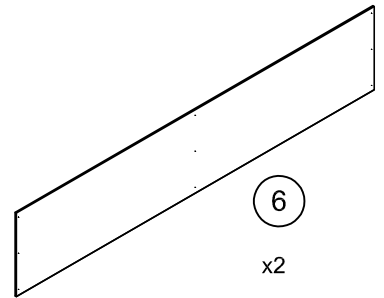
3
x1
Middle panel



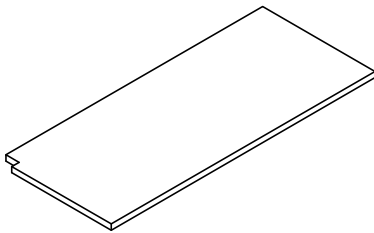
4
x1
Right side panel



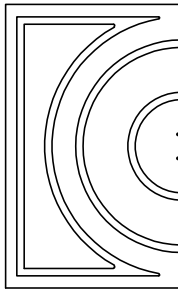
5
x1
bottom panel



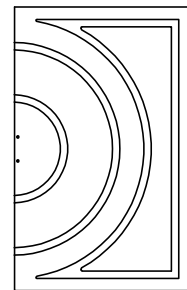
6
x2
Back panel



7 LR
x2
Shelf panel



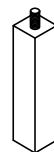
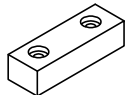
8 L
x2
Left door panel



8 R
x2
Right door panel



9
x2
BLOCKING DOOR



10
x1
bottom panel

ASSEMBLY INSTRUCTIONS

HARDWARE LIST



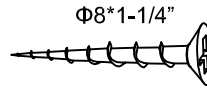
(A)
x4
Hook



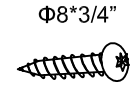
(B)
x4
Anchor



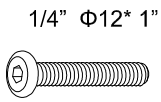
(C)
x2
Plastic tie



(D)
x4
Screws



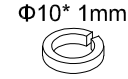
(E)
x4
Screws



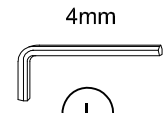
(F)
x10
Bolts



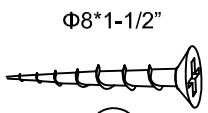
(G)
x10
Flat Washer



(H)
x10
Spring Washer



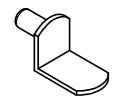
(I)
x1
Allen Key



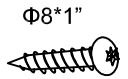
(J)
x2
Screws



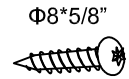
(K)
x12
Dowels



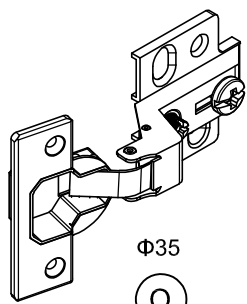
(L)
x8
Shelf supports



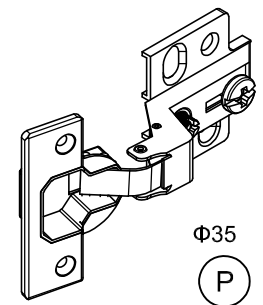
(M)
x4
Screws



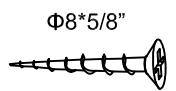
(N)
x18
Screws



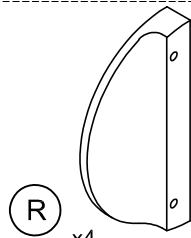
(O)
x4
Large curved hinge
(big curvy)



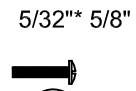
(P)
x4
Curved Hinges
(small curve)



(Q)
x48
Screws



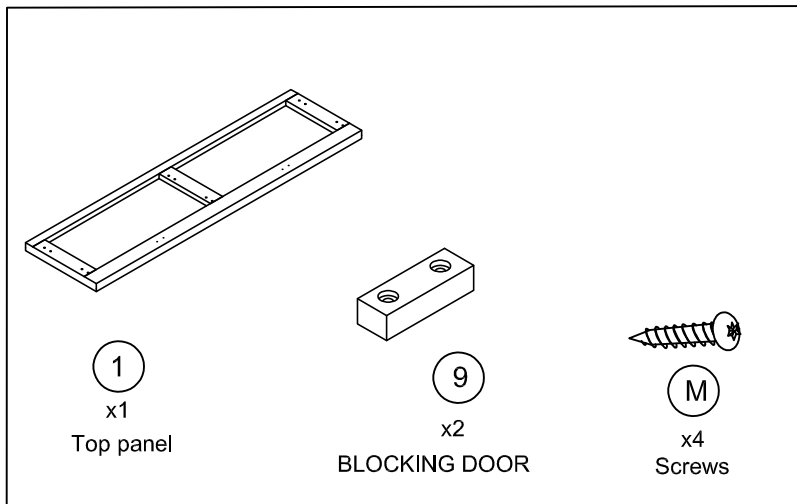
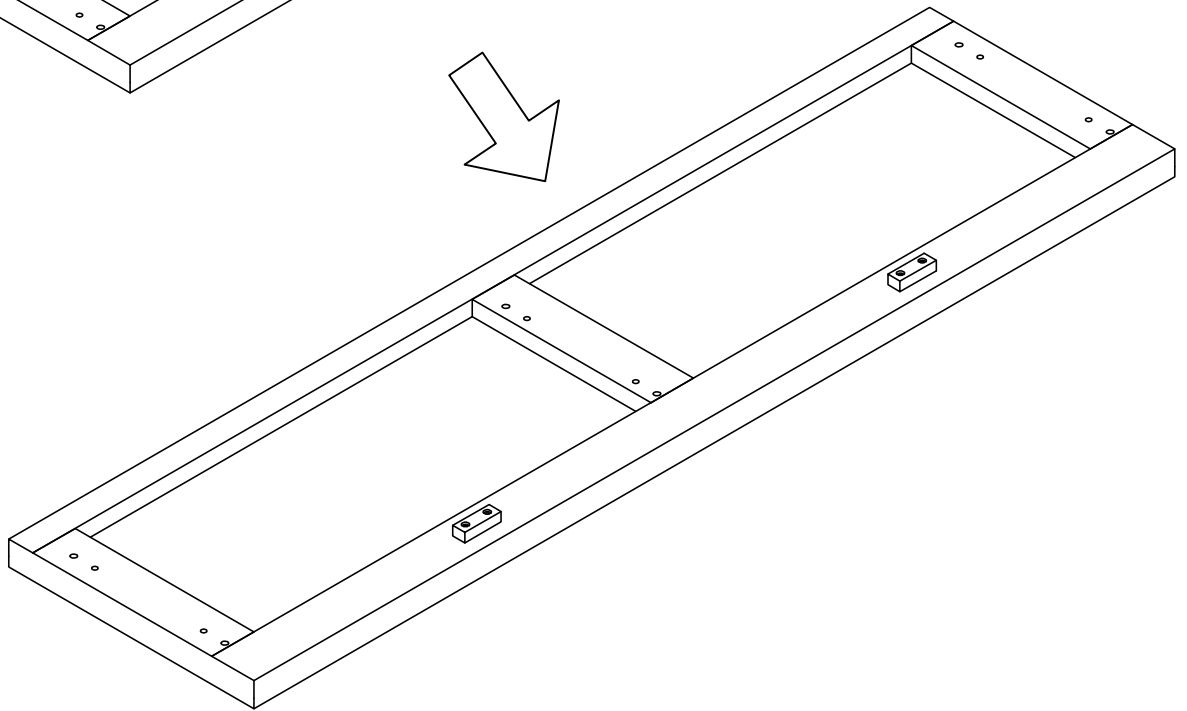
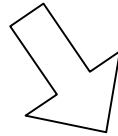
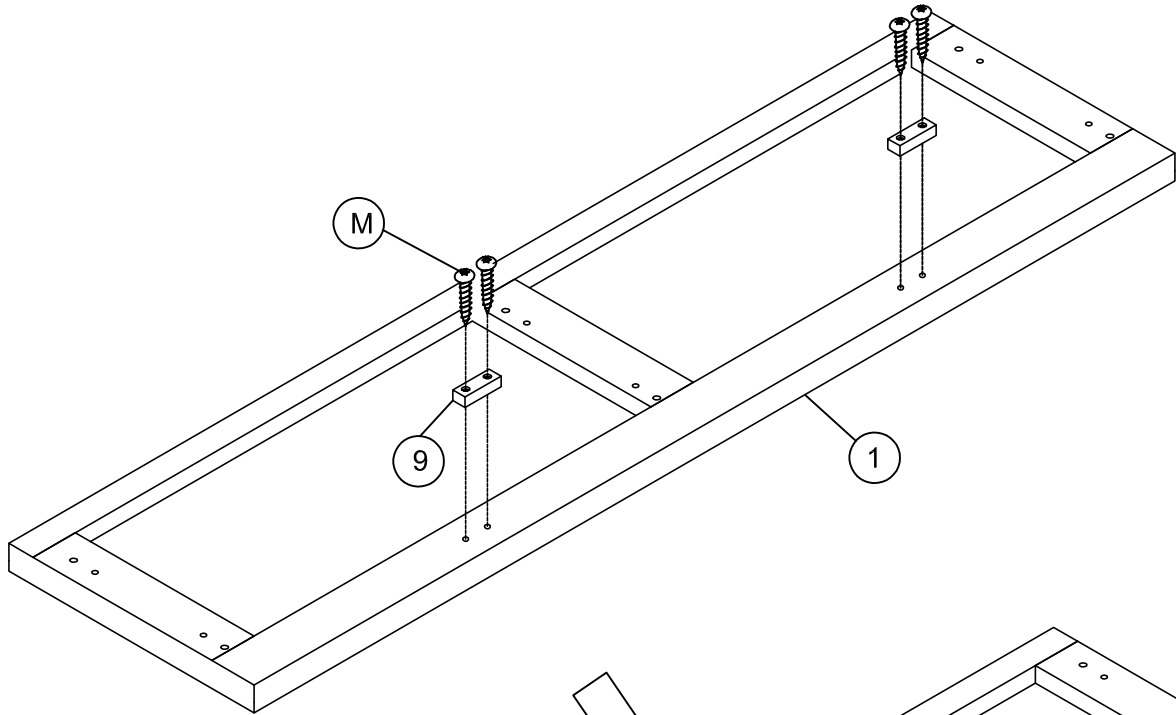
(R)
x4
Handles



(S)
x8
handle bolts

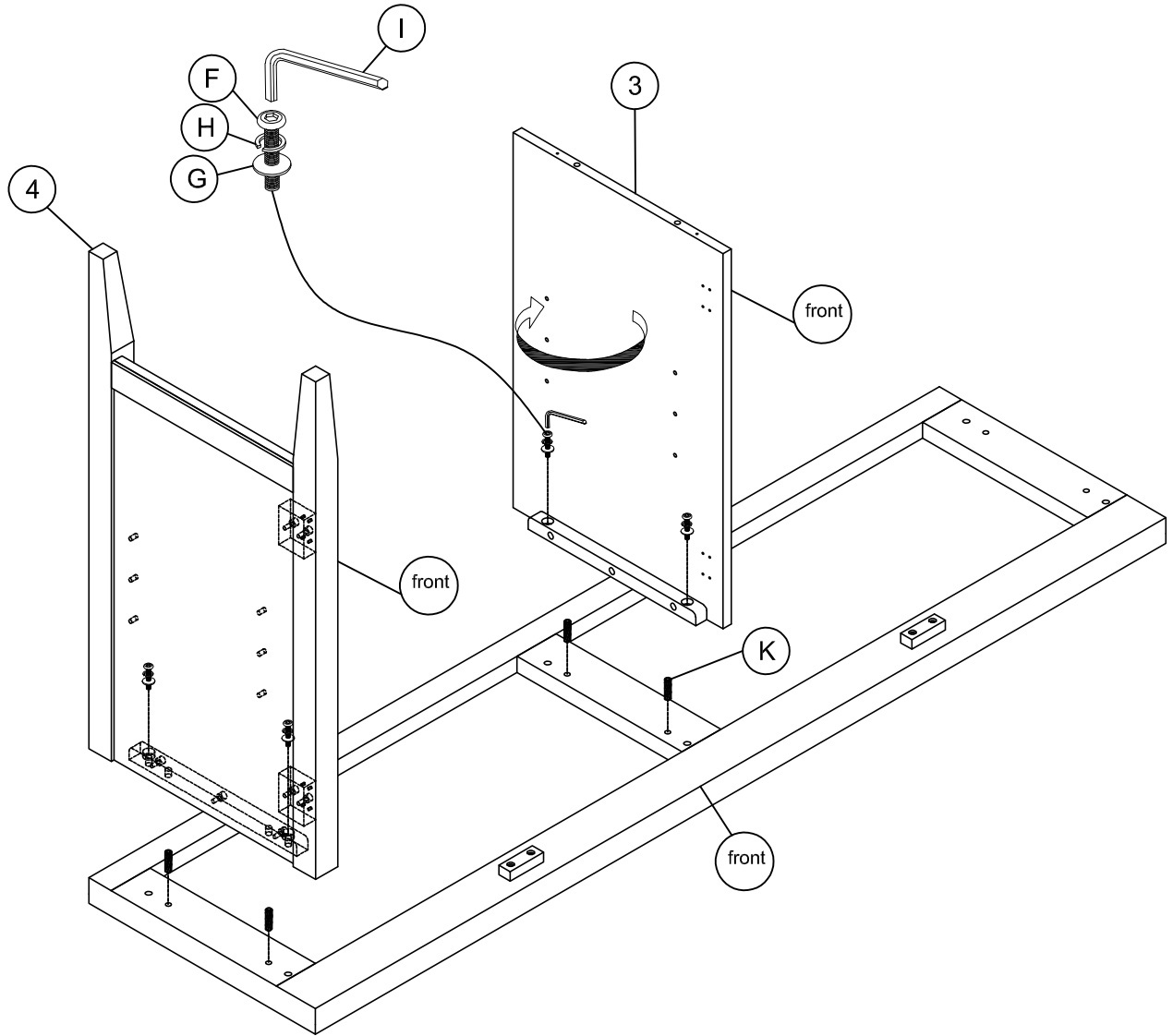
ASSEMBLY INSTRUCTIONS

STEP 1



ASSEMBLY INSTRUCTIONS

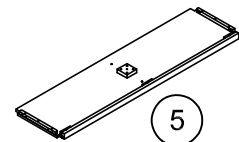
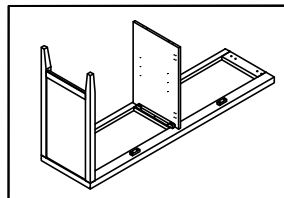
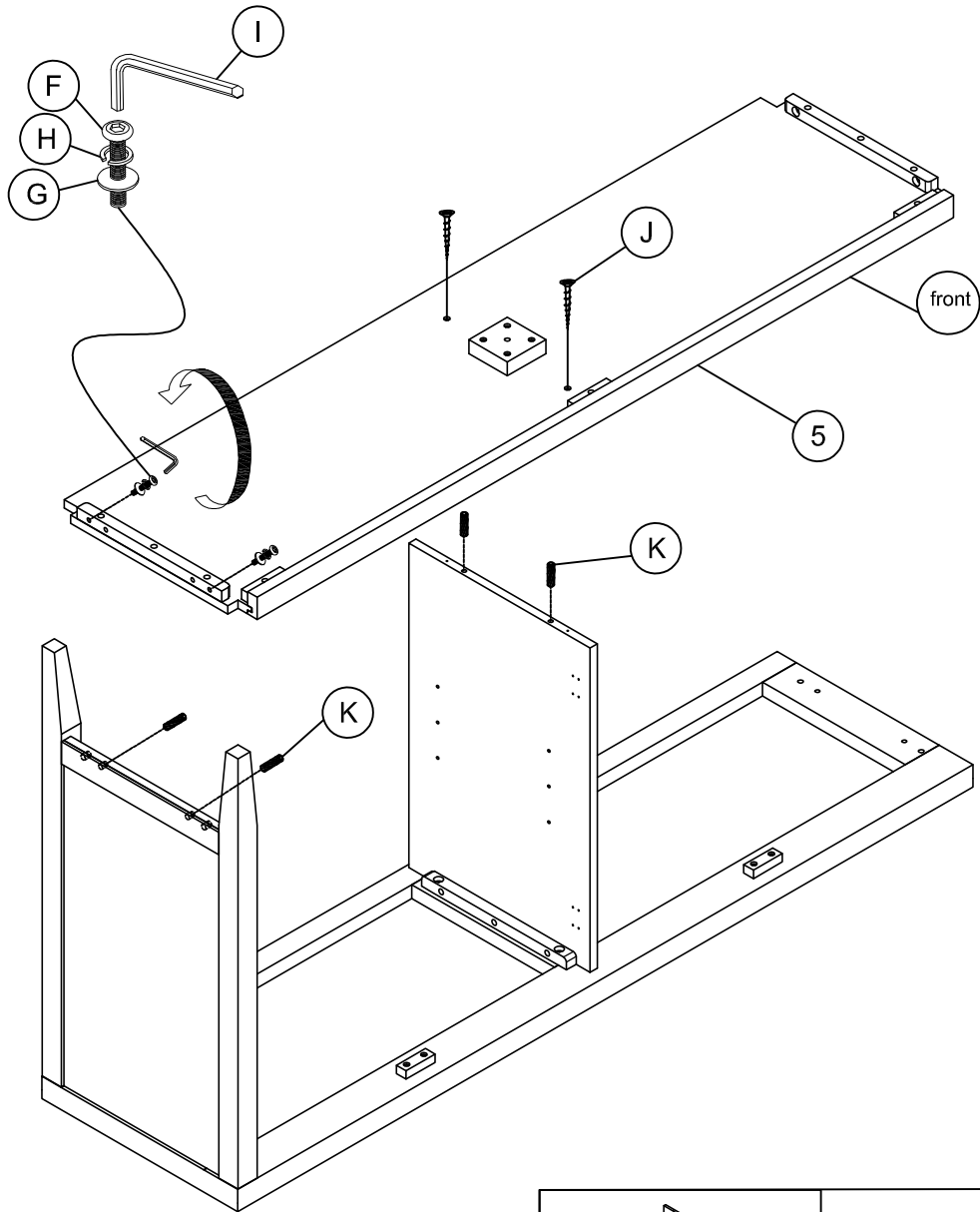
STEP 2



			<p>4 x1 Right side panel</p>	<p>3 x1 Middle panel</p>
<p>F x4 Bolts</p>	<p>G x4 Flat Washer</p>	<p>H x4 Spring Washer</p>	<p>I x1 Allen Key</p>	<p>K x4 Dowels</p>

ASSEMBLY INSTRUCTIONS

STEP 3



x1
bottom panel



(F)

x2
Bolts



(G)

x2
Flat Washer



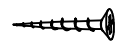
(H)

x2
Spring Washer



(I)

x1
Allen Key



(J)

x2
Screws

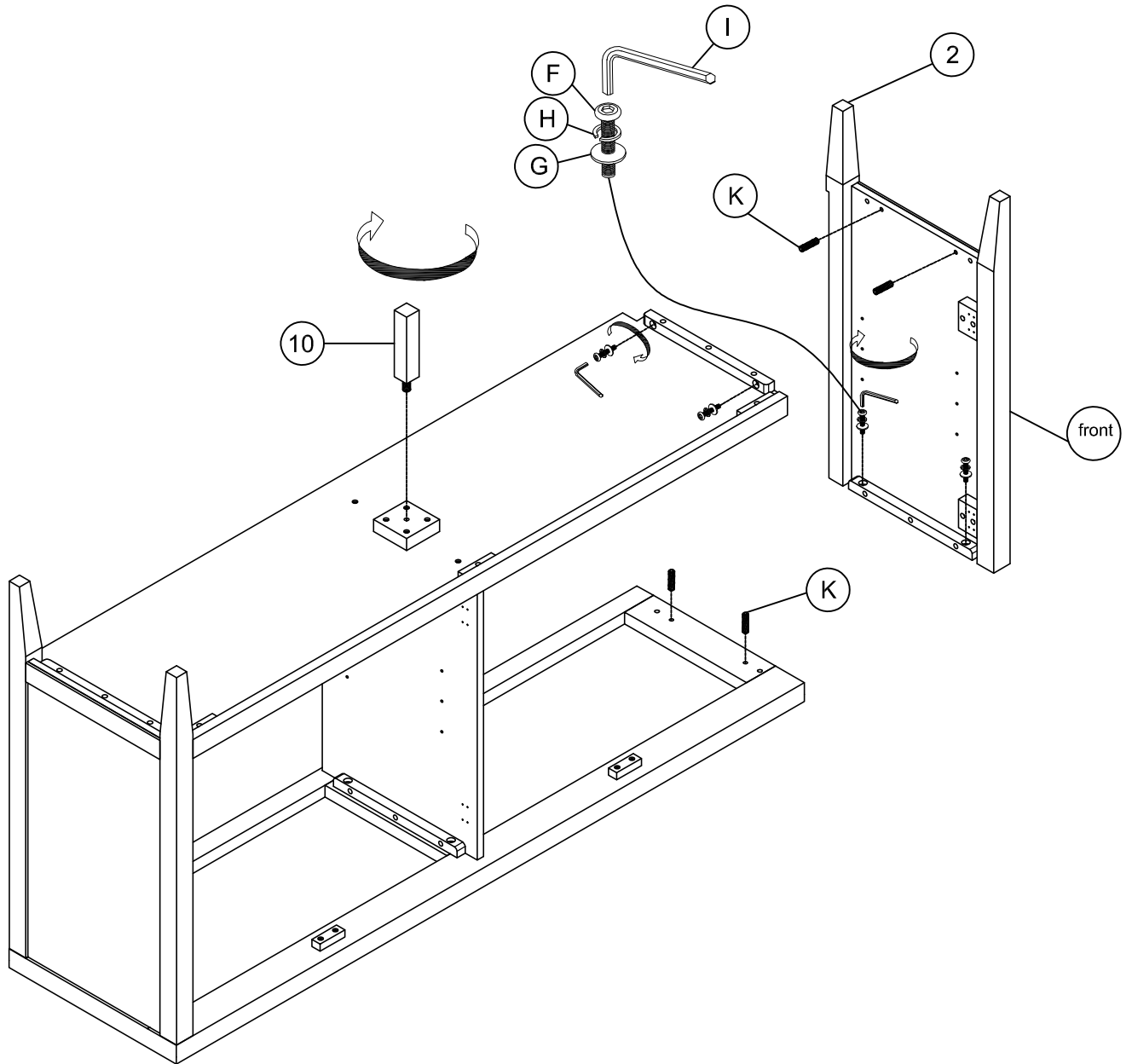


(K)

x4
Dowels

ASSEMBLY INSTRUCTIONS

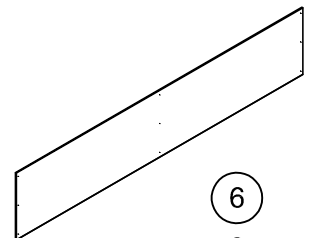
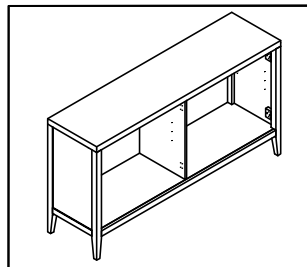
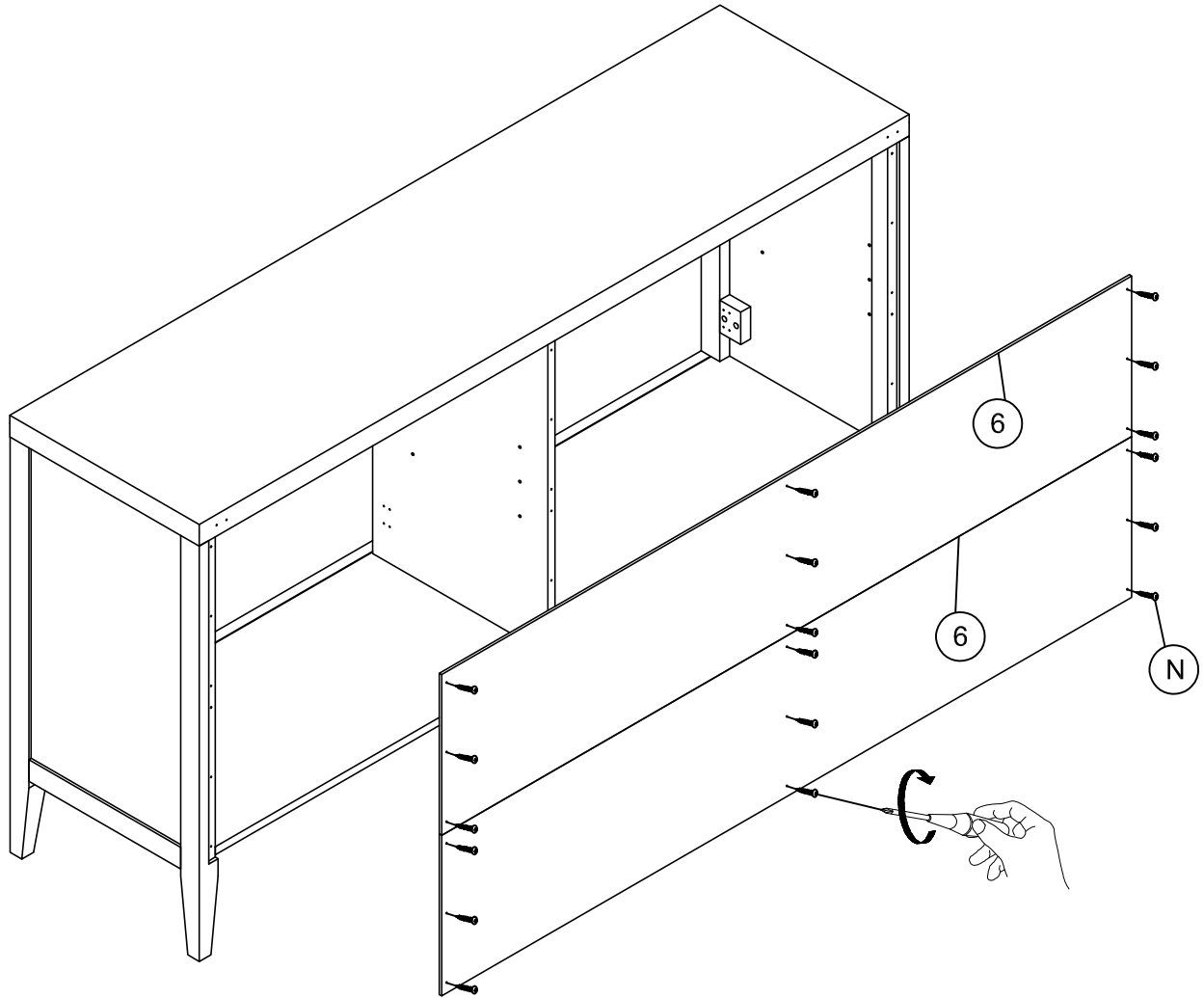
STEP 4



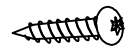
		<p>2 x1 Left side panel</p>	<p>10 x1 bottom panel</p>
<p>F x4 Bolts</p>	<p>G x4 Flat Washer</p>	<p>H x4 Spring Washer</p>	<p>I x1 Allen Key</p>
		<p>K x4 Dowels</p>	

ASSEMBLY INSTRUCTIONS

STEP 5



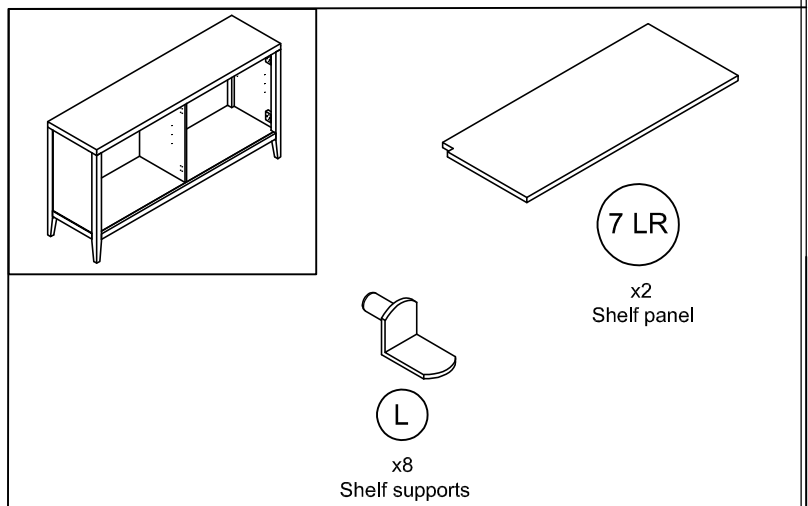
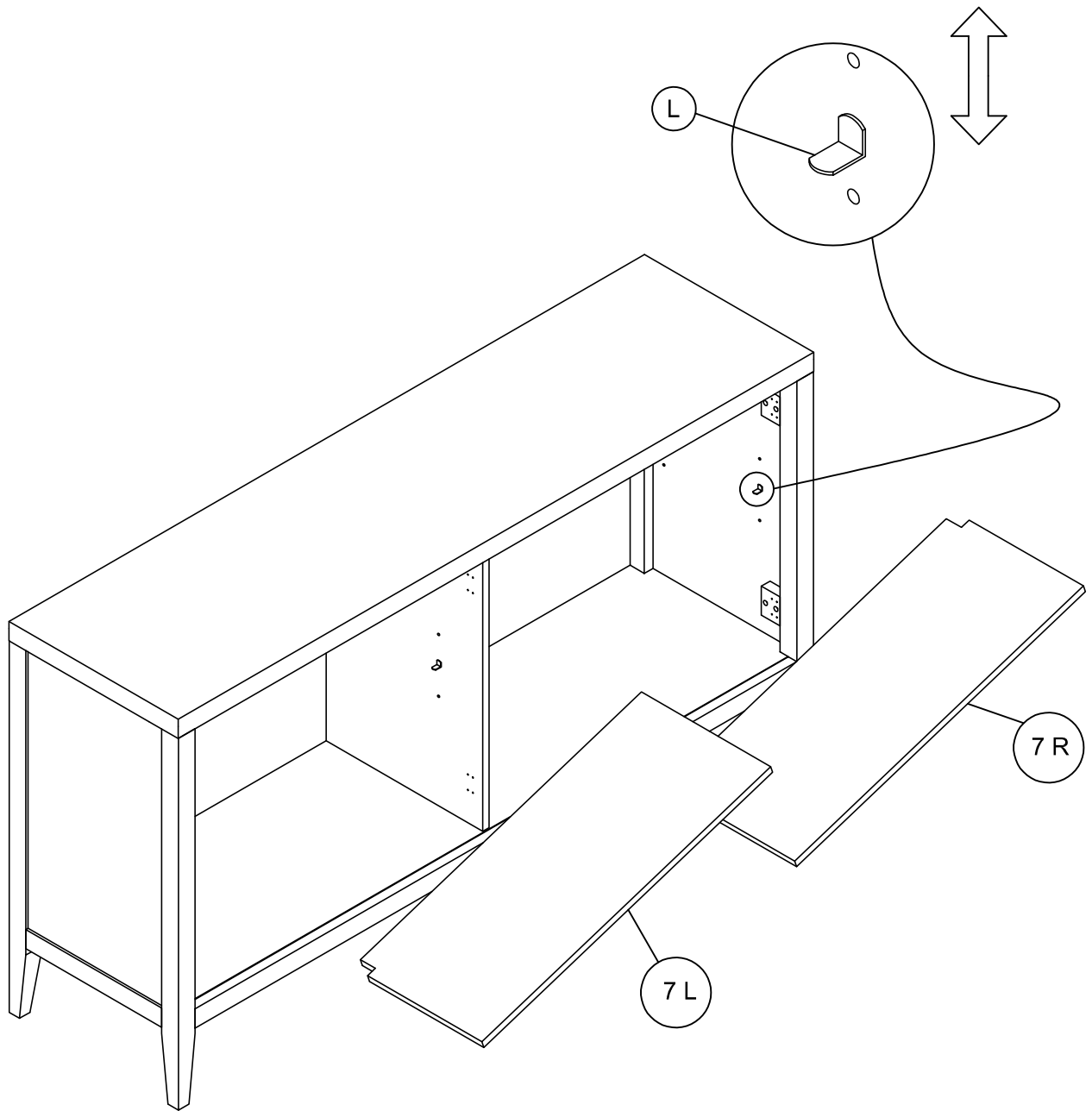
6
x2
Back panel



N
x18
Screws

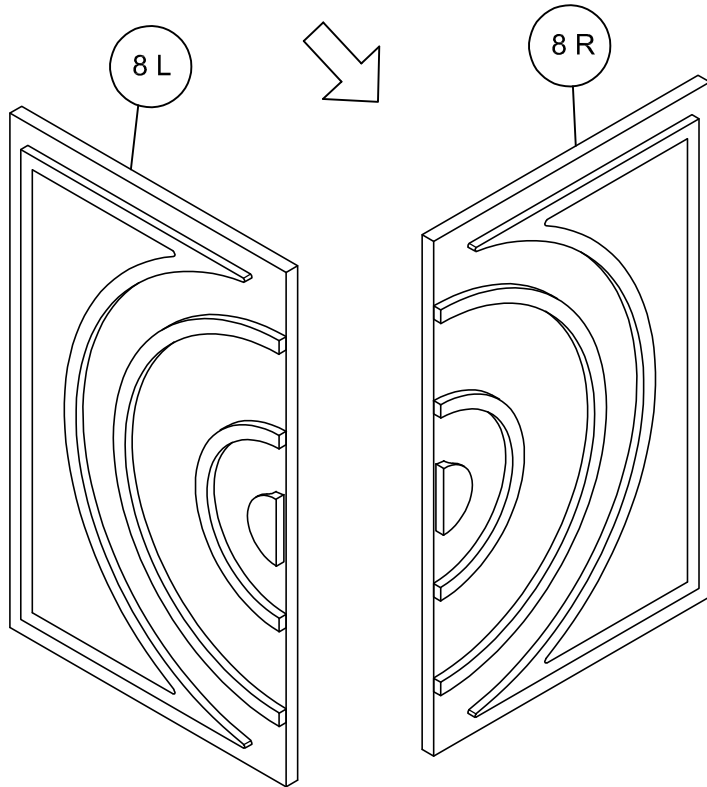
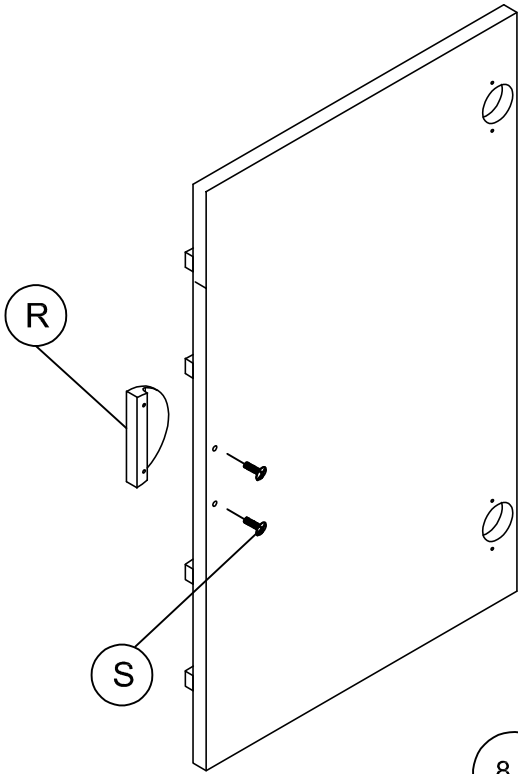
ASSEMBLY INSTRUCTIONS





STEP 6



ASSEMBLY INSTRUCTIONS

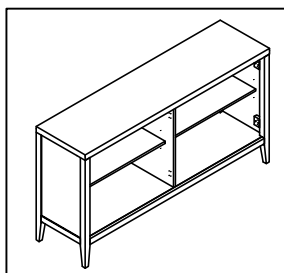
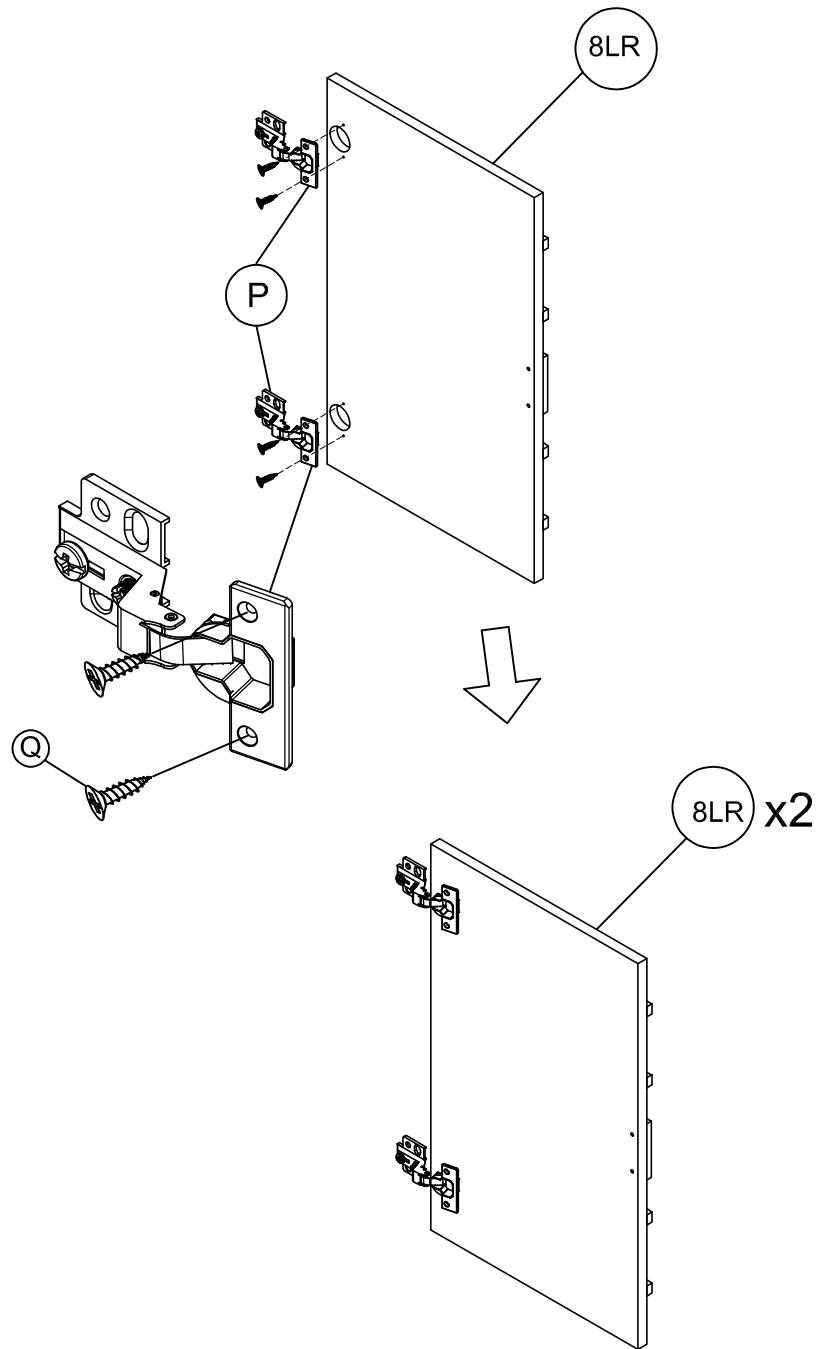
STEP 7



			
8 L	8 R	R	S
x2	x2	x4	x8
Left door panel	Right door panel	Handles	handle bolts

ASSEMBLY INSTRUCTIONS

STEP 8



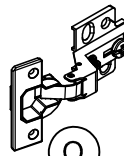
8 L

x2
Left door panel



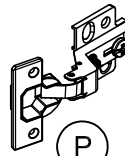
8 R

x2
Right door panel



O

x4
Large curved hinge
(big curvy)



P

x4
Curved Hinges
(small curve)

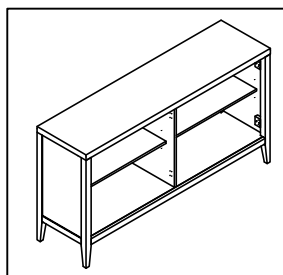
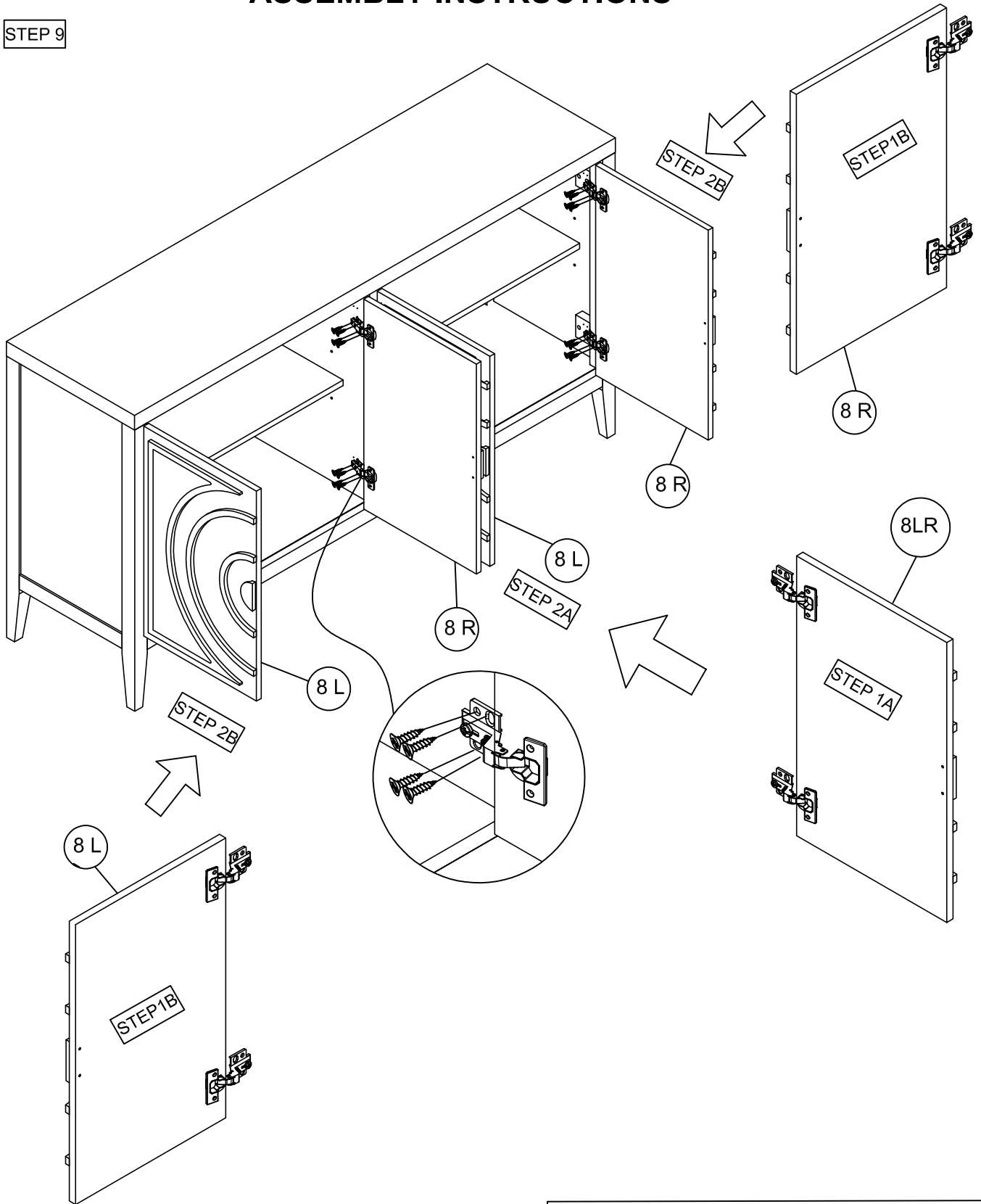


Q

x16
Screws

ASSEMBLY INSTRUCTIONS

STEP 9



8 L

x2
Left door panel



8 R

x2
Right door panel

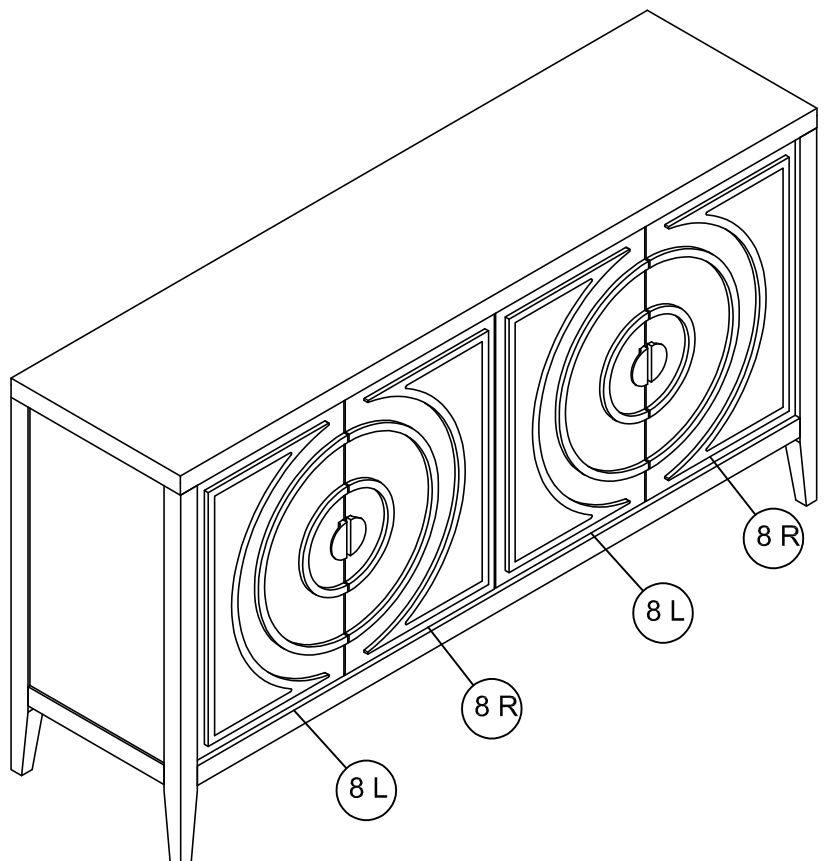
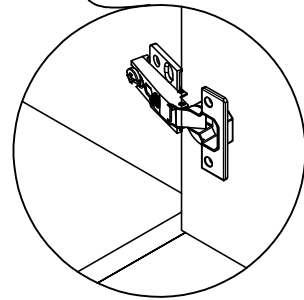
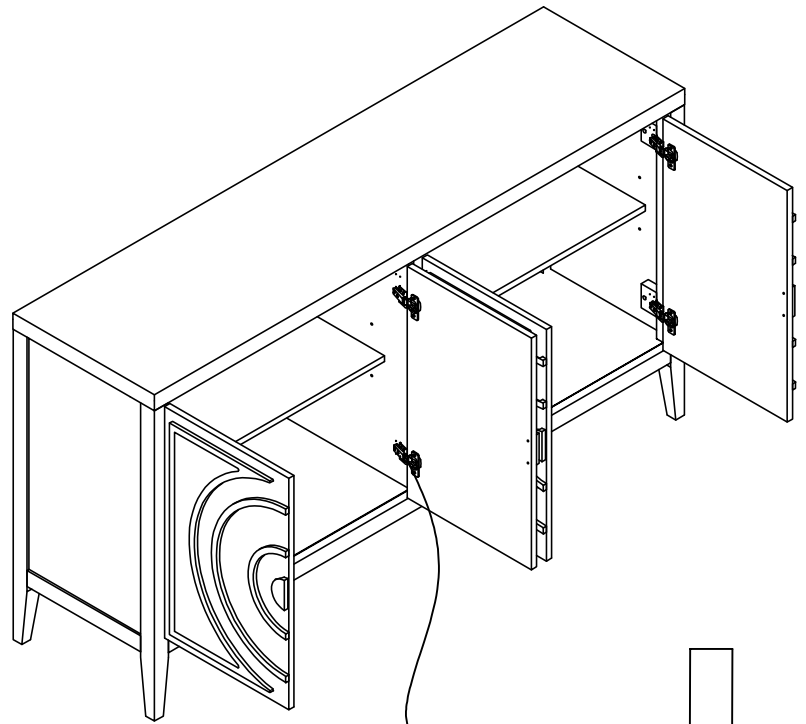
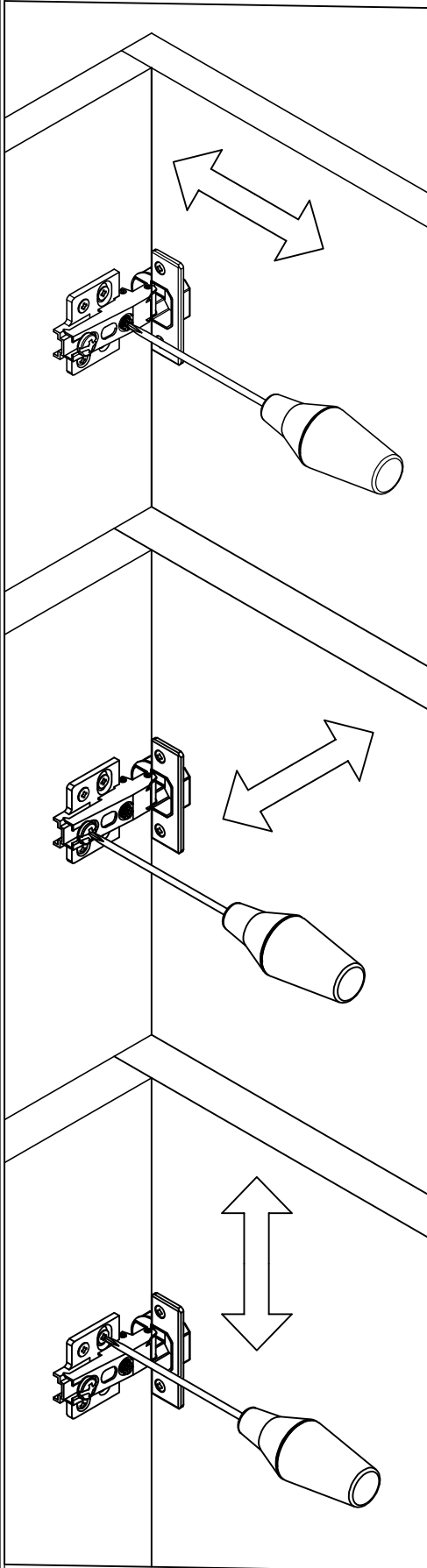


Q

x32
Screws

ASSEMBLY INSTRUCTIONS

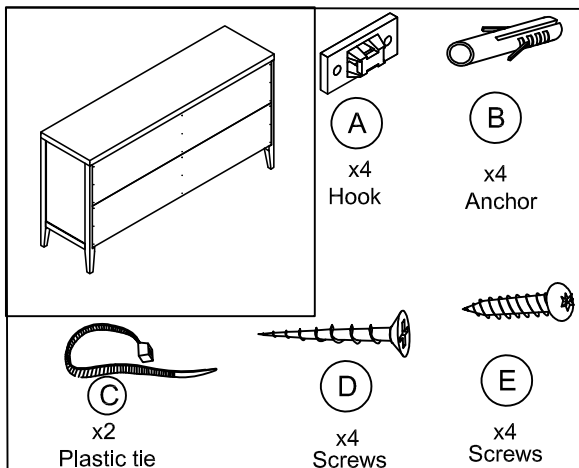
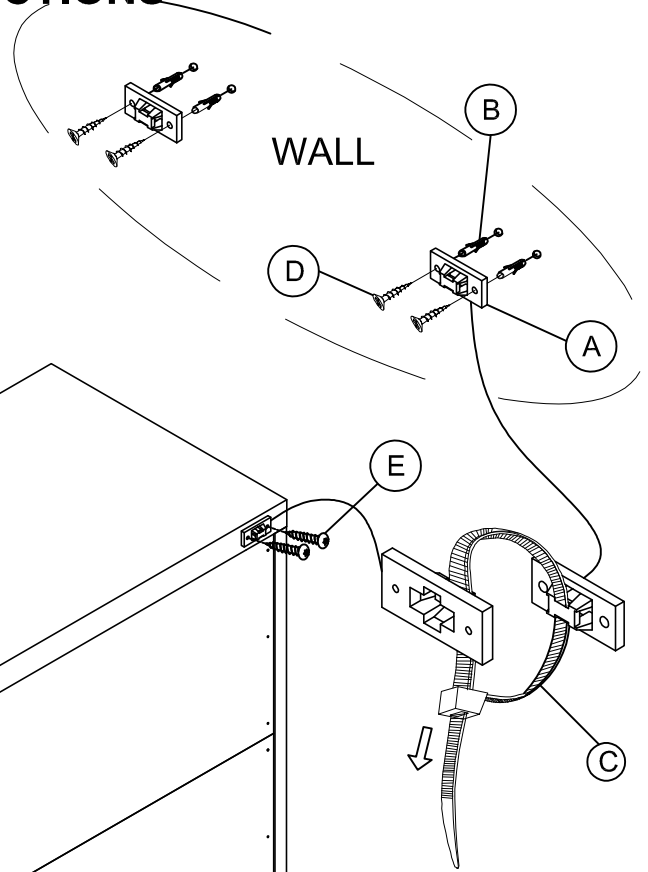
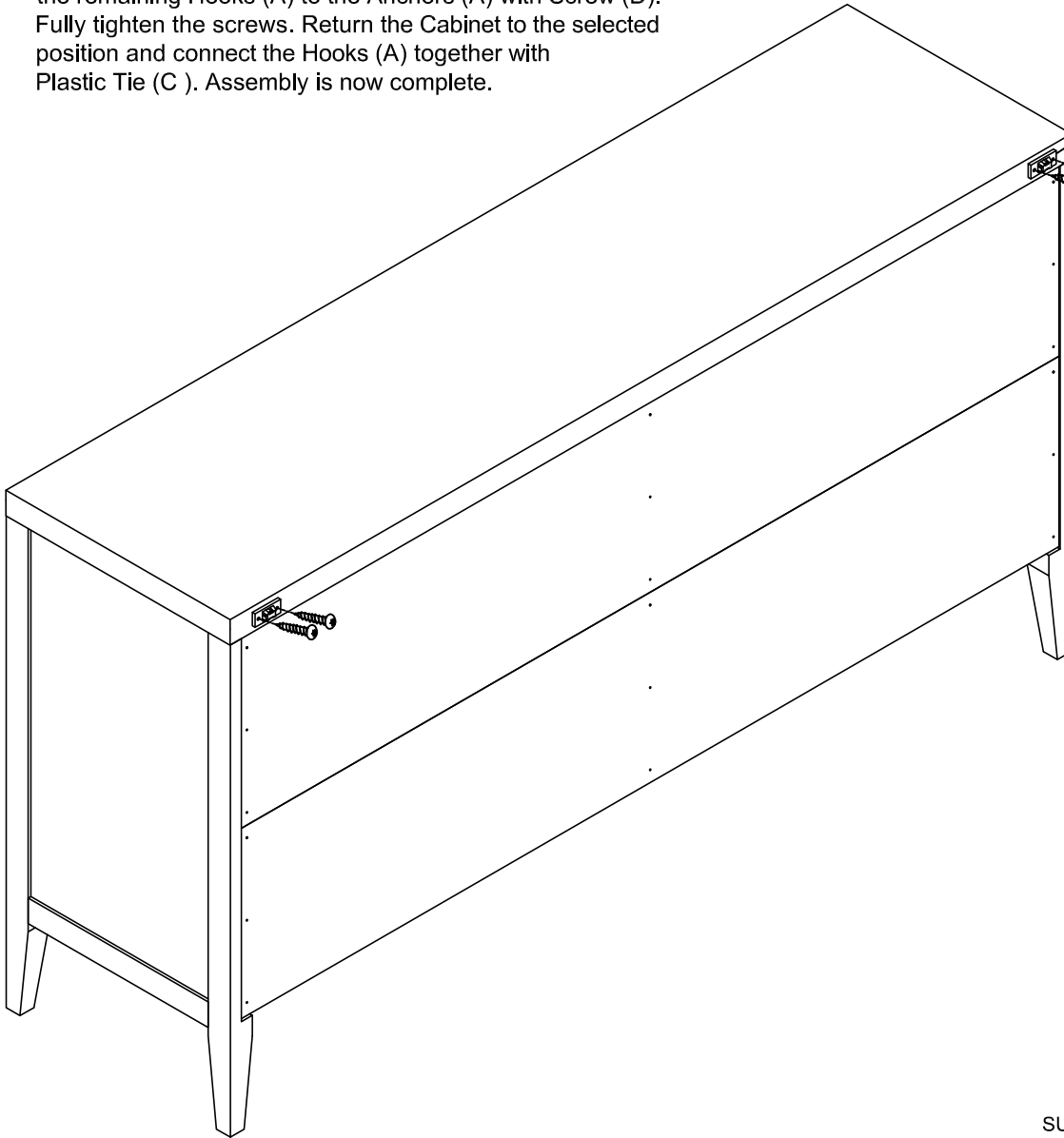
STEP 10



ASSEMBLY INSTRUCTIONS

STEP 11

Place the Cabinet in the desired location against the wall. Mark the position of the attached Hooks on the wall and remove the Cabinet. Using one of the remaining Hooks (A) as a template, Place the Hook (A) under the marks on the wall and mark the two hole positions. Drill the holes for the Anchors (B) and insert the Anchors (B) into the wall. Attach the remaining Hooks (A) to the Anchors (A) with Screw (D). Fully tighten the screws. Return the Cabinet to the selected position and connect the Hooks (A) together with Plastic Tie (C). Assembly is now complete.



SUPPORTING TOOLS

