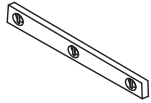


SHOWER BASE INSTALLATION INSTRUCTION

INSTALLATION STEPS&ILLUSTRATION

Installation tools



Level

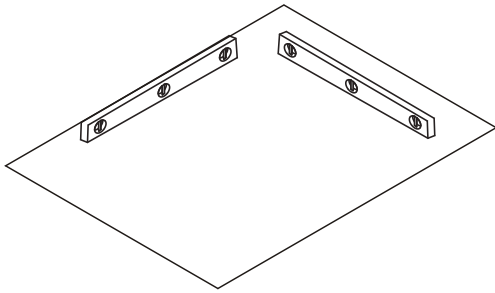


Square

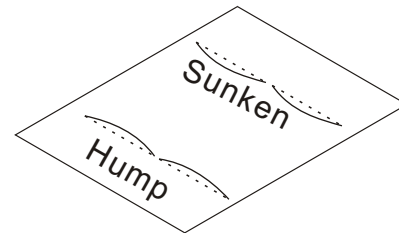


Towel

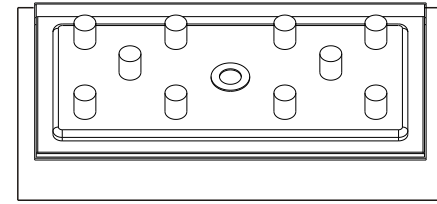
Installation steps



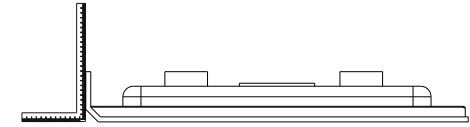
1. Please check the floor is level or not before installation as the above picture.



2. Please fill up the floor and make it flat if necessary. Because the shower base foos are not height-adjustable



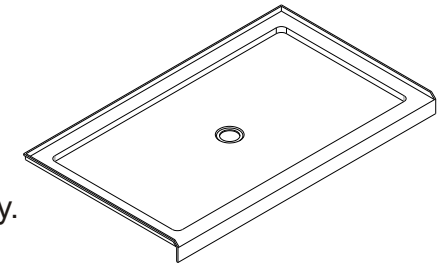
3. Please place the shower base upside down on the mat to avoid damaging



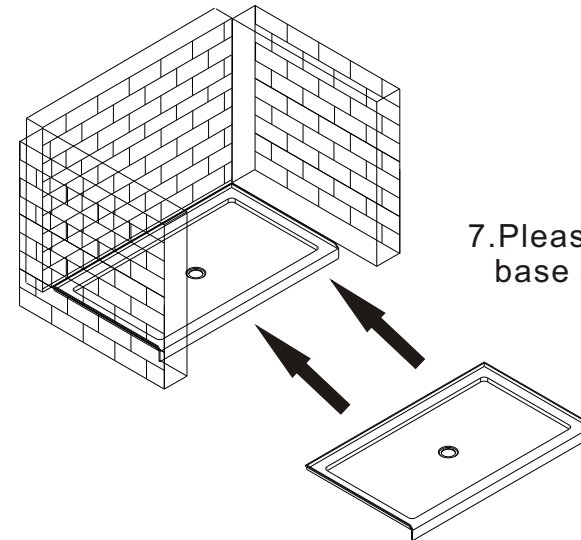
4. Please check the skirt is vertical or not.



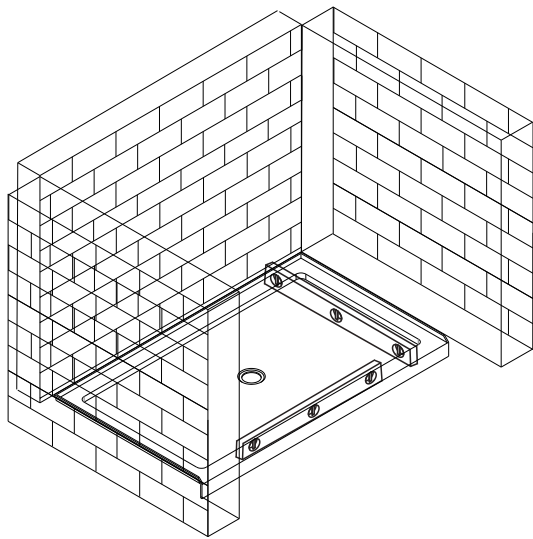
5. Please check the foos are level or not, since they may be loosen during long-distance delivery.



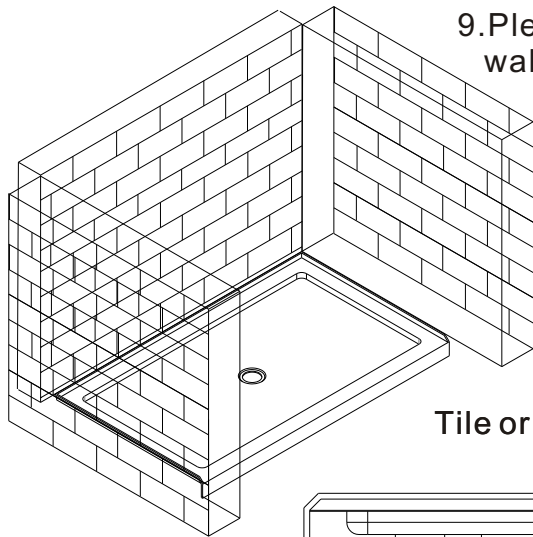
6. Please clean the shower base by towel



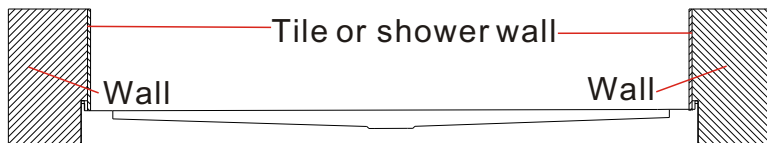
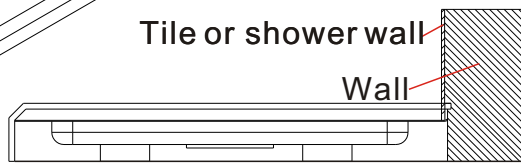
7. Please put the shower base as the picture.



8. Please check the shower base is level or not after placement



9. Please set the tiles or shower wall to cover the tiling flange.



Maintenance

1. Please avoid touching the hard or sharp things for shower base surface. If some scratches or abrasion, grind with #1200 & #1500 waterproof abrasive paper, then polish with toothpaste and soft cloth.
2. Please use the soft wet cloth or sponge with neutral detergent when cleaning the shower base, never use corrosive detergent such as strong acetic or soda etc for cleaning to avoid damaging the shower base surface.
3. The drainer cover shall not touch the hard or sharp things as scratch, never sweep them with rough cloth.