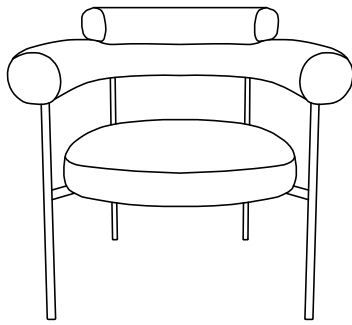


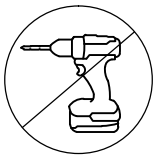
ASSEMBLY INSTRUCTIONS

meridian.
furniture

SKU/ITEM#:870/871/879 DINING CHAIR



+ Do Not Use PowerTools



+ Suggested Adults



NOTE: For questions about parts or assembly please email support@meridianfurnitureusa.com or call us at 718-758-4455.

- 1 Read instructions cover to cover.
- 2 Save all packaging until assembly is completed.

1 IMPORTANT SAFETY INFORMATION

Do not assemble the product if any of the following parts arrived damaged:

- Part ①** Chair back
- Part ②** Cushion
- Part ③** Upper leg frame
- Part ④** Lower leg frame

Do not assemble if any of the following Hardware parts are missing:

- Part A** Bolt 1/4"*1"
- Part B** Bolt 1/4"*1-1/2"
- Part C** Flat washer 1/4"
- Part D** Spring washer 1/4"
- Part E** Allen wrench 1/4"

2 IMPORTANT ASSEMBLY INFORMATION

Assembly Step If loosening persists, Please make sure to tighten all the bolts periodically, or use a thread locker adhesive.

+ Parts Included

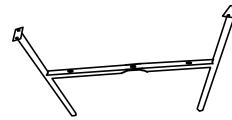
- ① Chair back
1PC



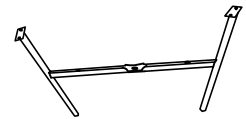
- ② Cushion
1PC



- ③ Upper leg frame
1PC



- ④ Lower leg frame
1PC



+ Hardware Included

- A Bolt 1/4"*1"
8PCS



- B Bolt 1/4"*1-1/2"
5PCS



- C Flat washer 1/4"
13PCS



- D Spring washer 1/4"
13PCS



- E Allen wrench 1/4"
1PC

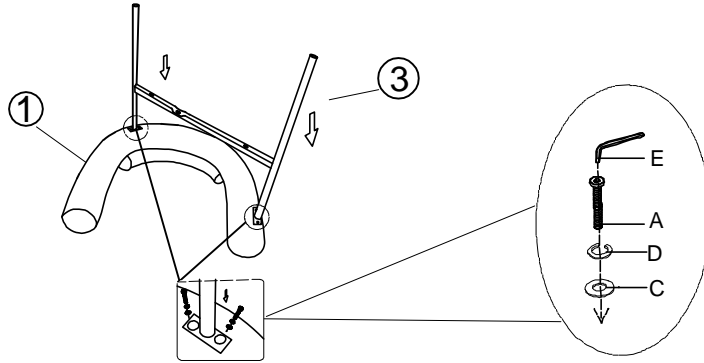


ASSEMBLY INSTRUCTIONS

meridian.
furniture

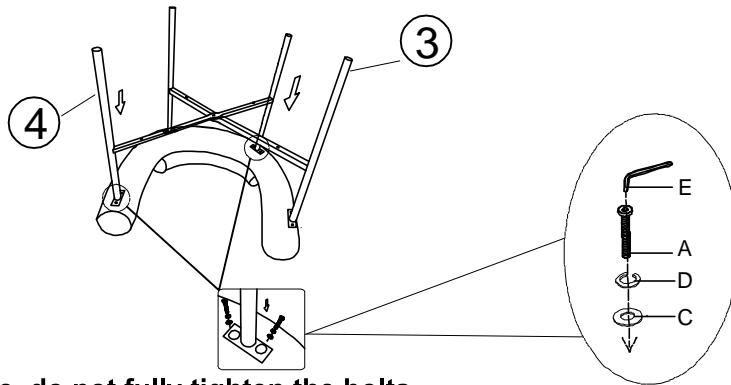
SKU/ITEM#:870/871/879 DINING CHAIR

1



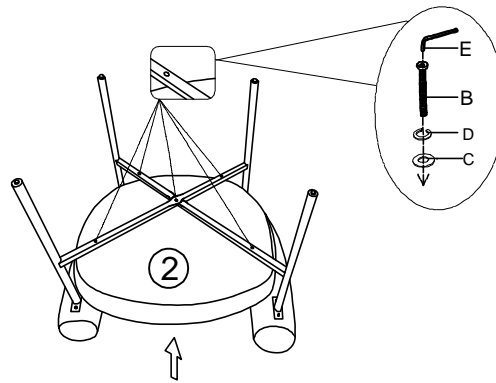
Note: At this stage, do not fully tighten the bolts.

2

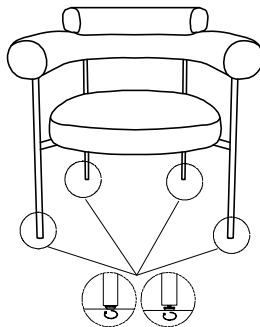


Note: At this stage, do not fully tighten the bolts.

3



4



Adjust Pre-installed Levelers height to achieve balance

NOTE: For questions about parts or assembly please email support@meridianfurnitureusa.com or call us at 718-758-4455.

www.MeridianFurnitureUSA.com | support@meridianfurnitureusa.com