

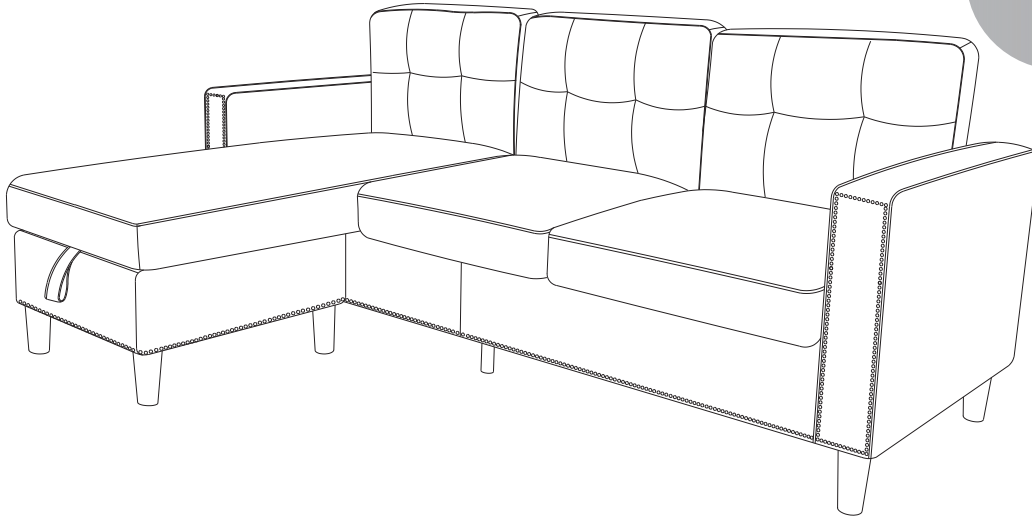
ASSEMBLY INSTRUCTIONS

DEAR CUSTOMER,

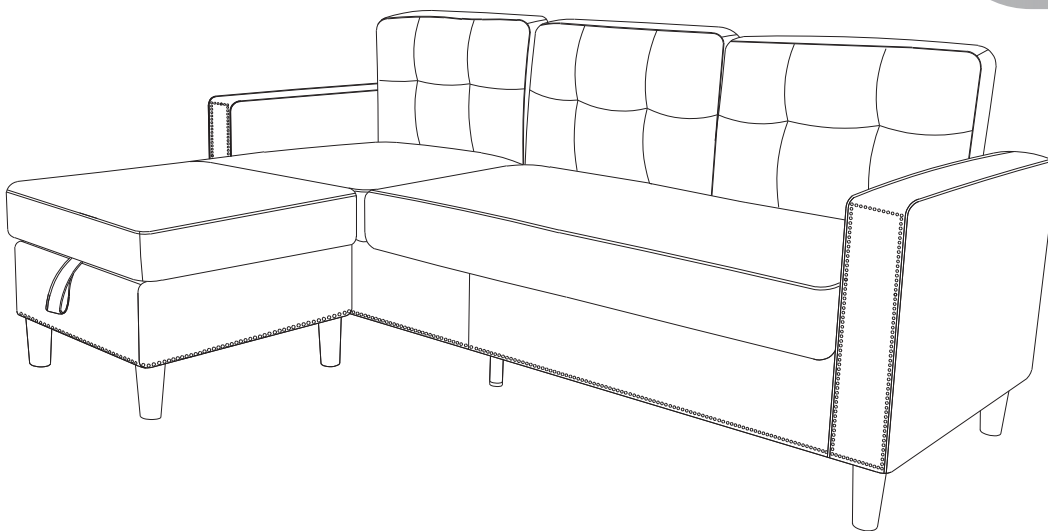
Caution:

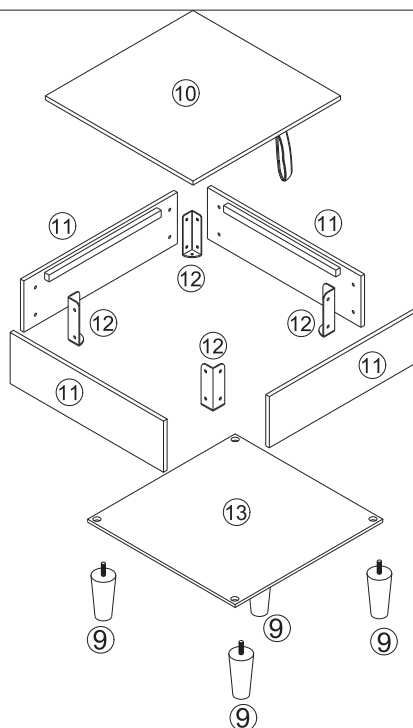
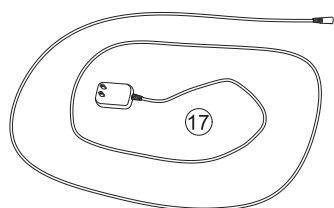
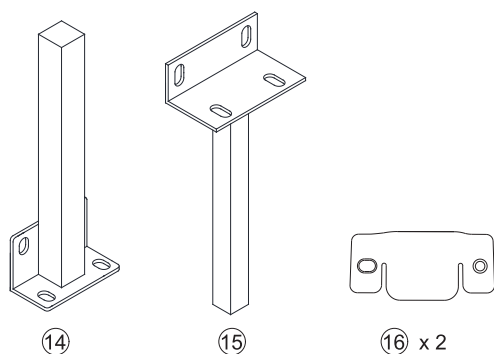
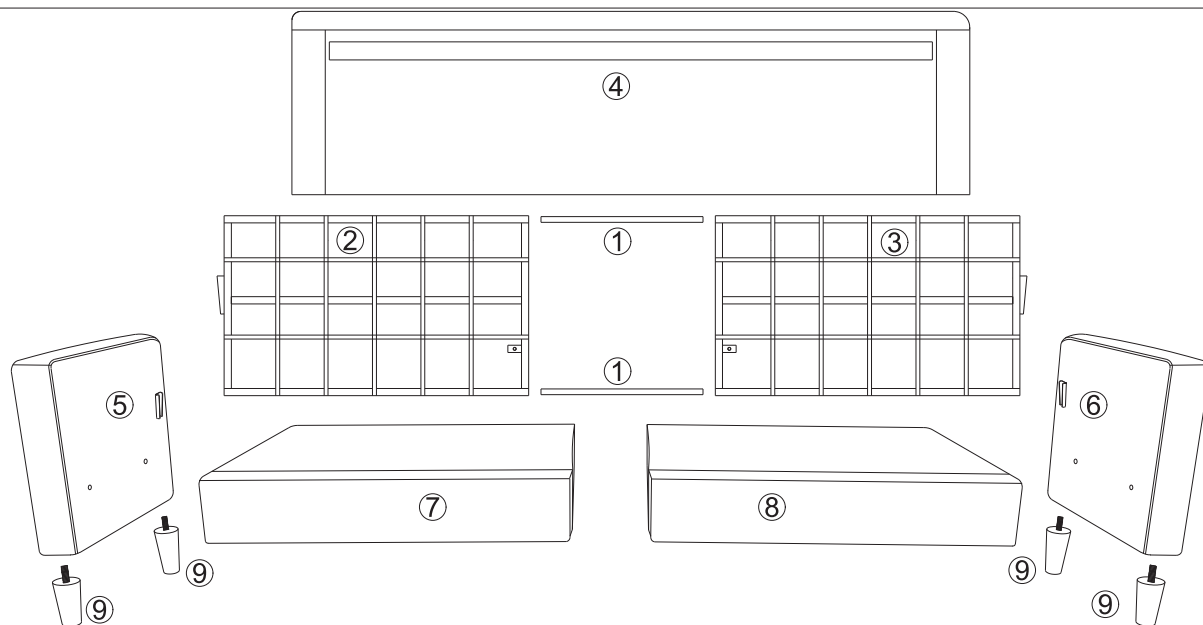
1. Please read all instructions before assembly and check the carton for any parts that may have come loose during shipment. It is recommended to use two or more persons during the assembly process.
2. Please do not discard any packaging before you have checked all the parts and fittings are included. If for any reason this product needs to be returned it must be returned packed in its original packaging.
3. Assemble this product on a flat and clean surface to avoid scratching.

Style 1














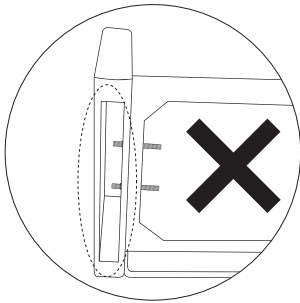
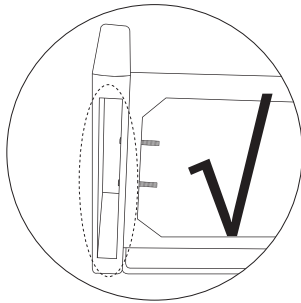
Style 2






HARDWARE LIST:

A		M6*20mm	22PCS
B		M6*30mm	4PCS
C		M8*60mm	1PCS
D		M8*70mm	4PCS
E		M8	5PCS
F		φ 18mm	2PCS
G		φ 30mm	4PCS
H		φ 50mm	8PCS
I			8PCS
J			1PCS
K			1PCS



Be careful not to twist it over

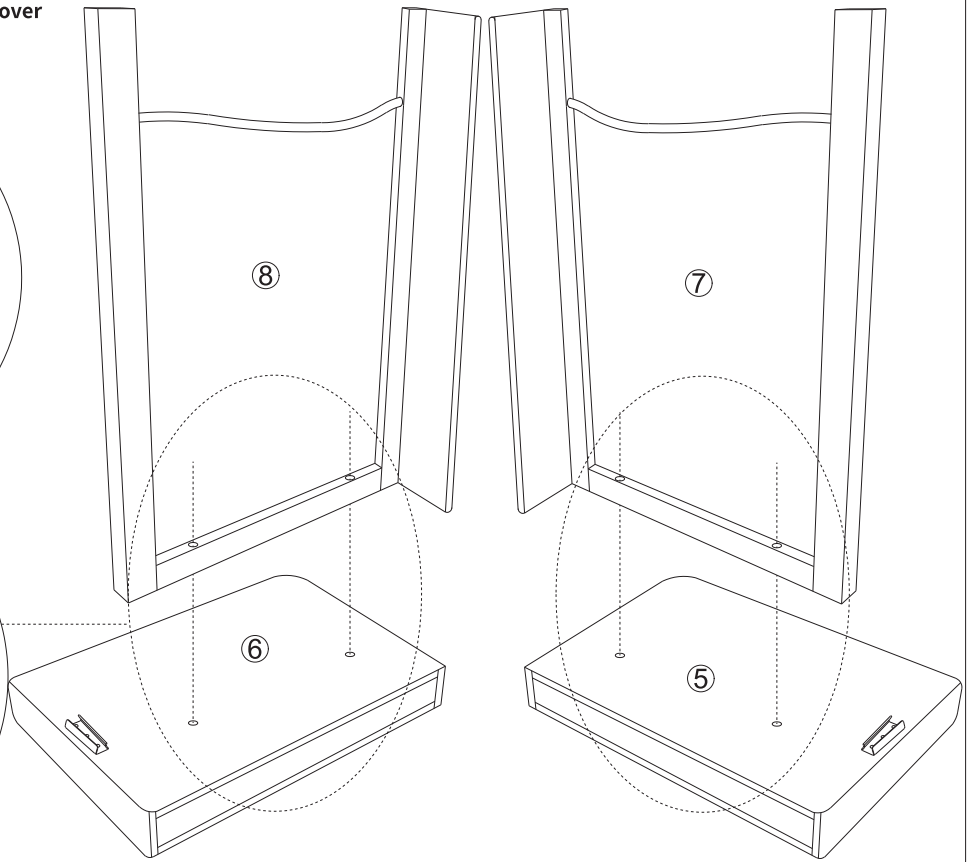
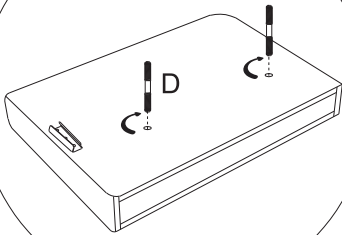
D  x 4

E  x 4
M8

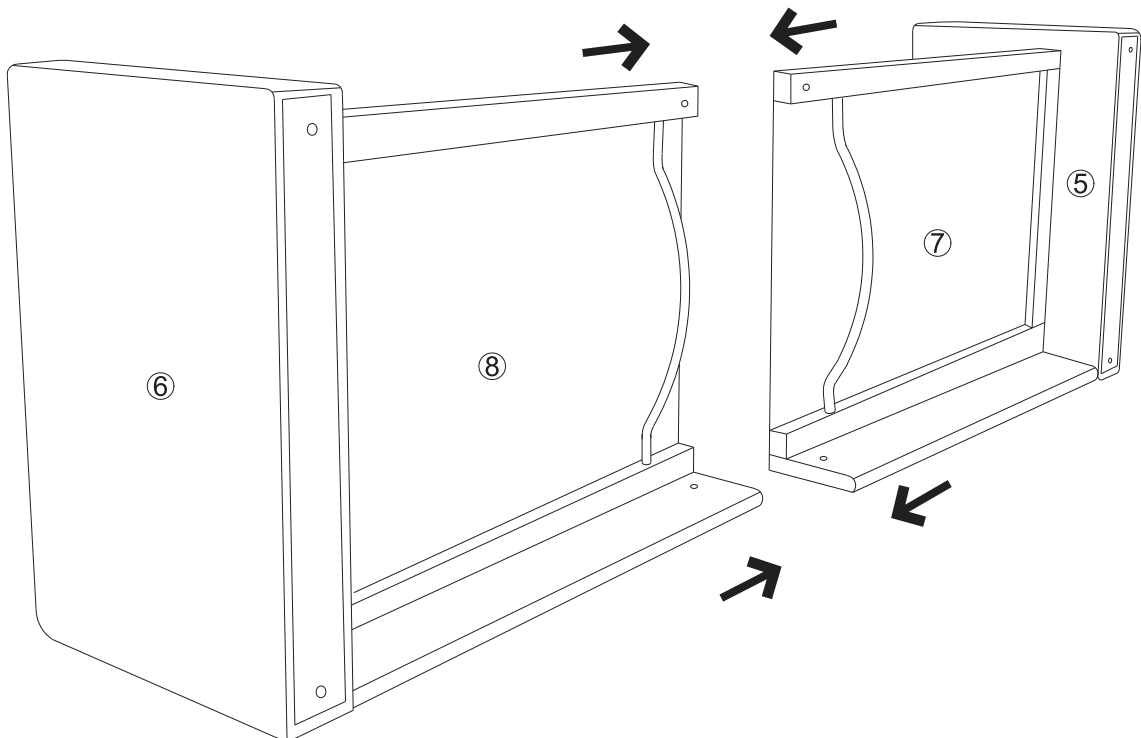
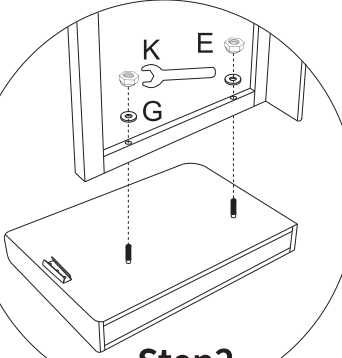
G  x 4

K  x 1






Step1

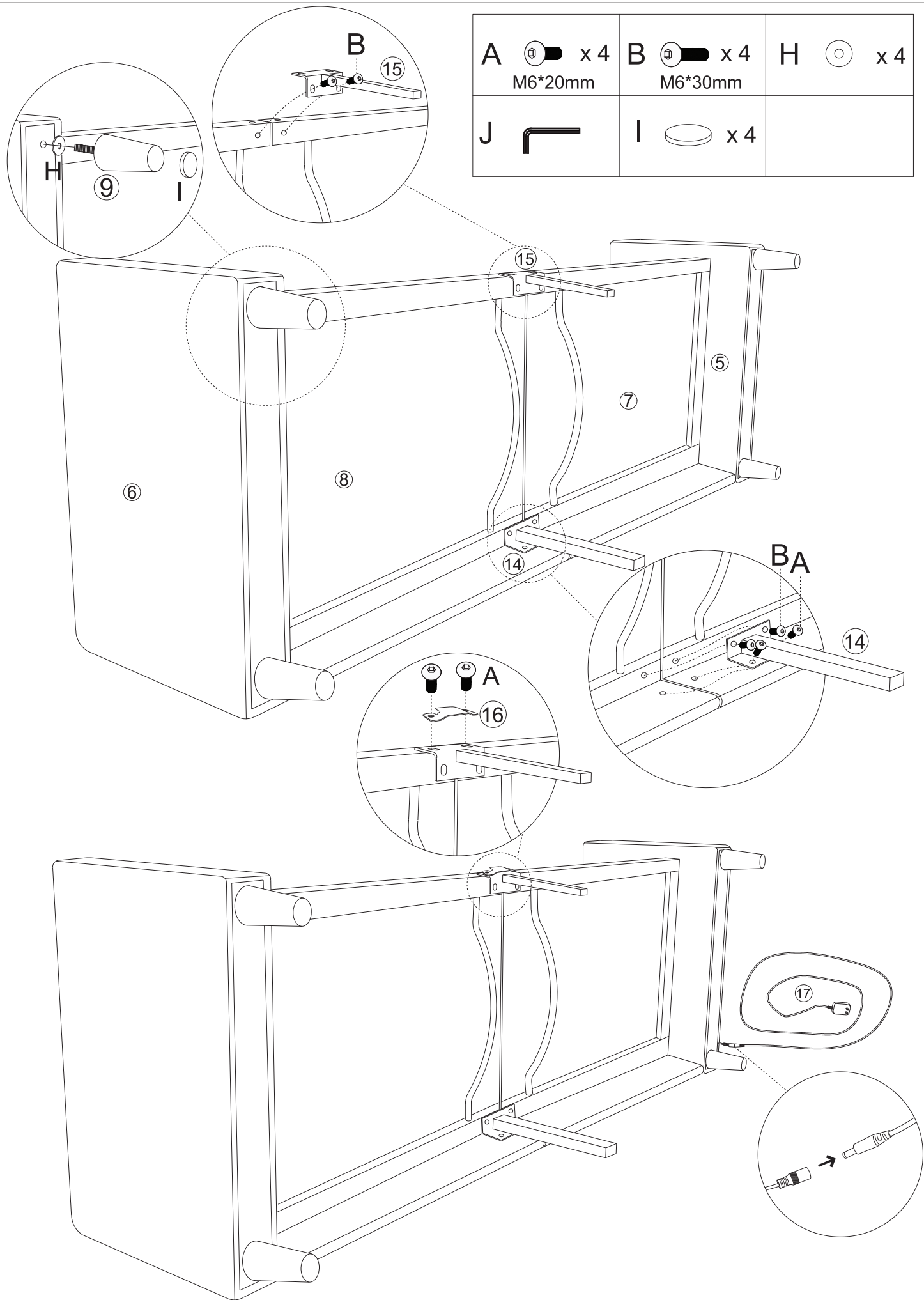





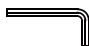
Step2

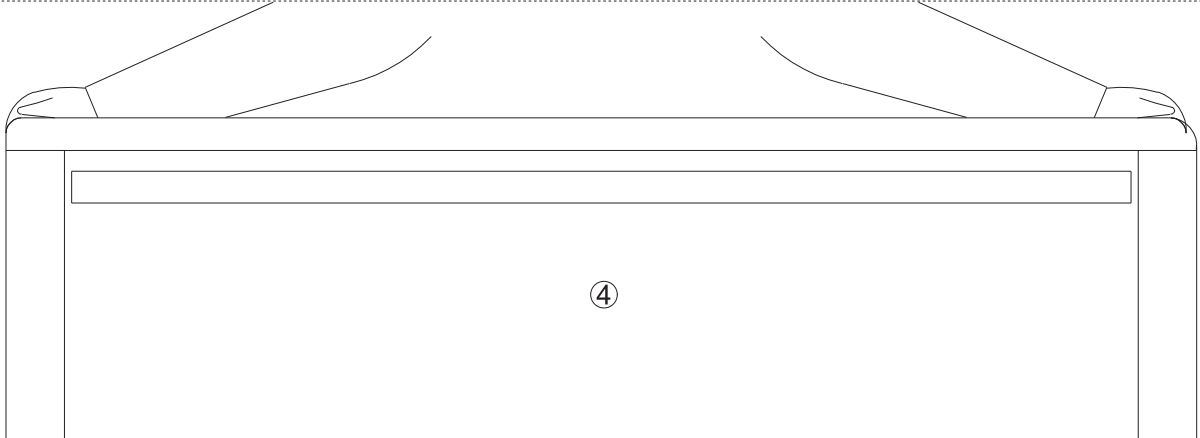
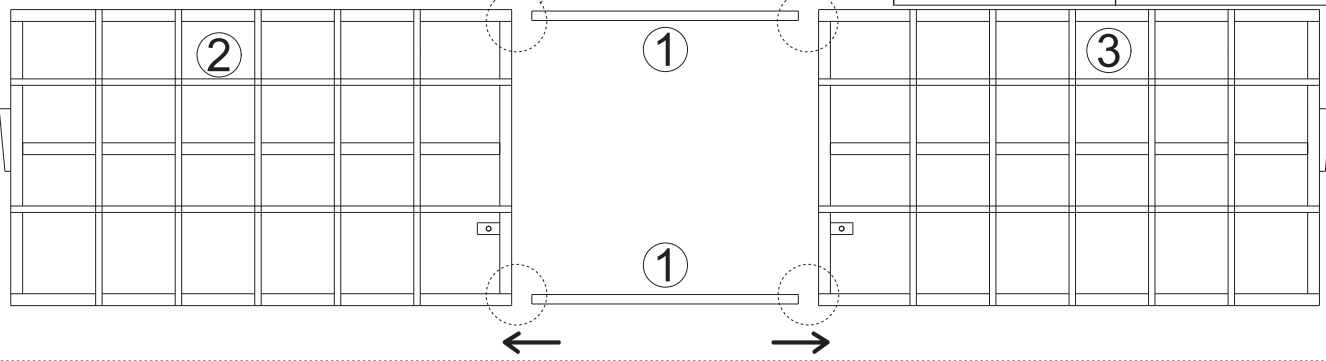
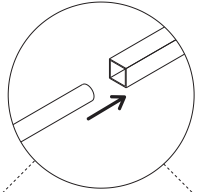


3

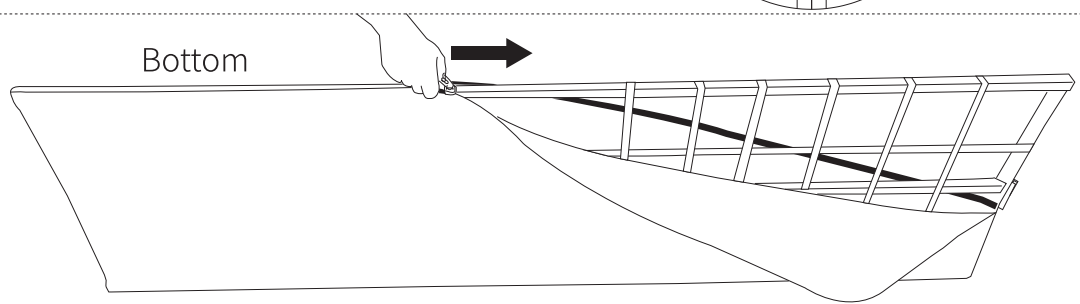
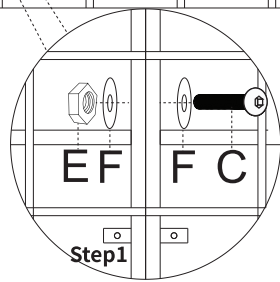
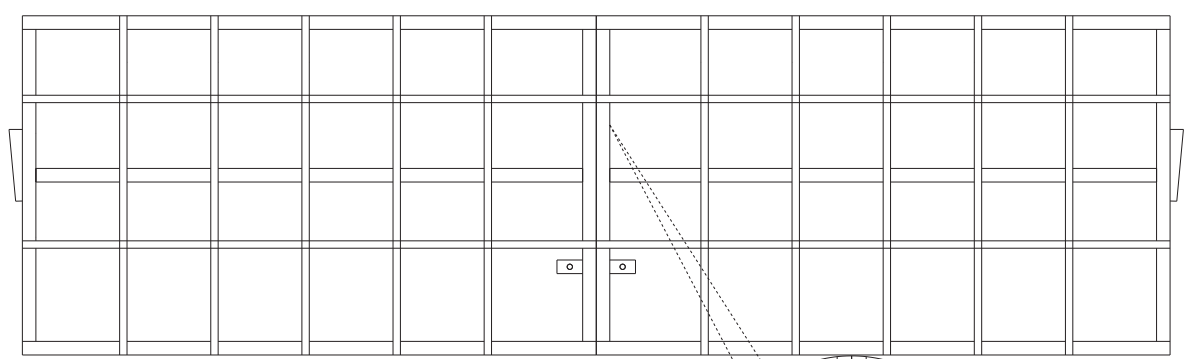
A	 x 4 M6*20mm	B	 x 4 M6*30mm	H	 x 4
J		I	 x 4		





C  x 1 M8*60mm	E  x 1 M8
F  x 2	J  x 1

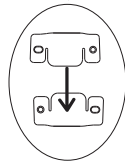
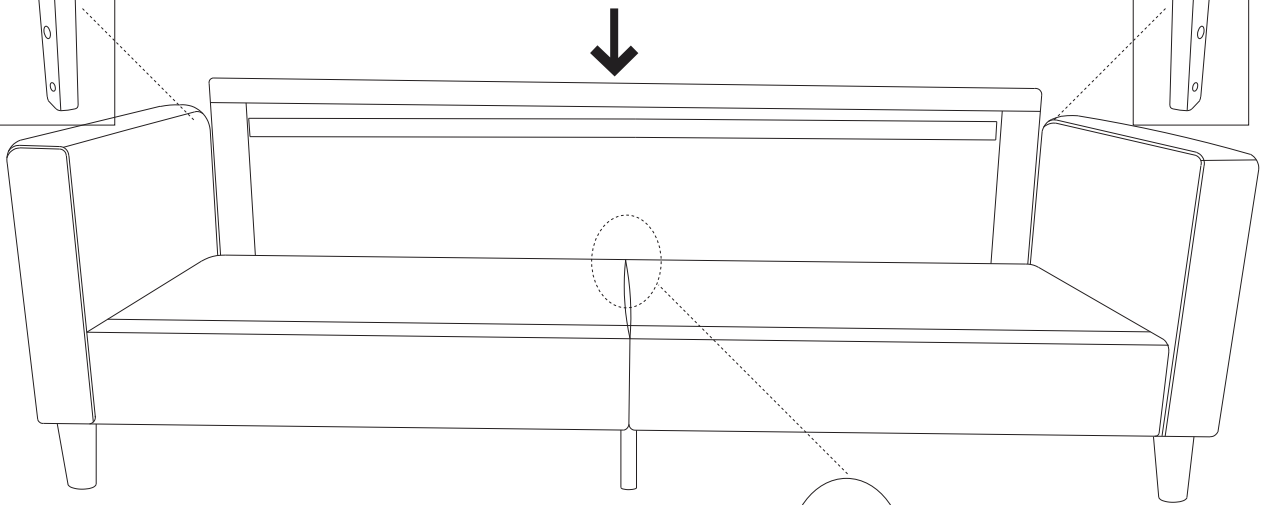
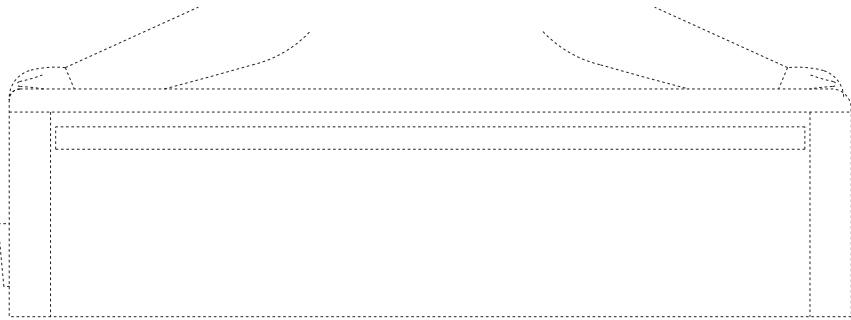
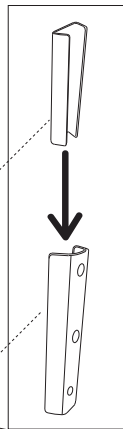
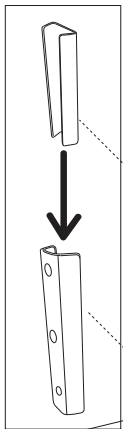
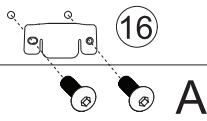
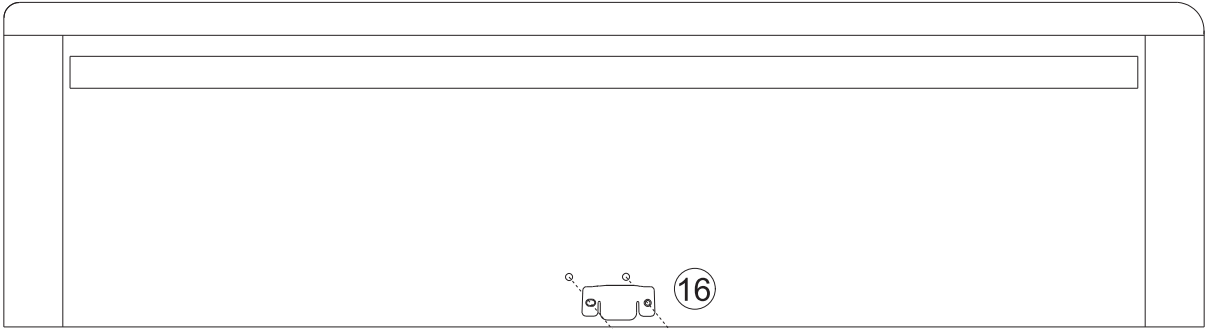






Step2



The black part should be on this side of the arch

A  x 2 M6*20mm	J 
--	---



A  x 16 M6*20mm	H  x 4	J 
I  x 4		

