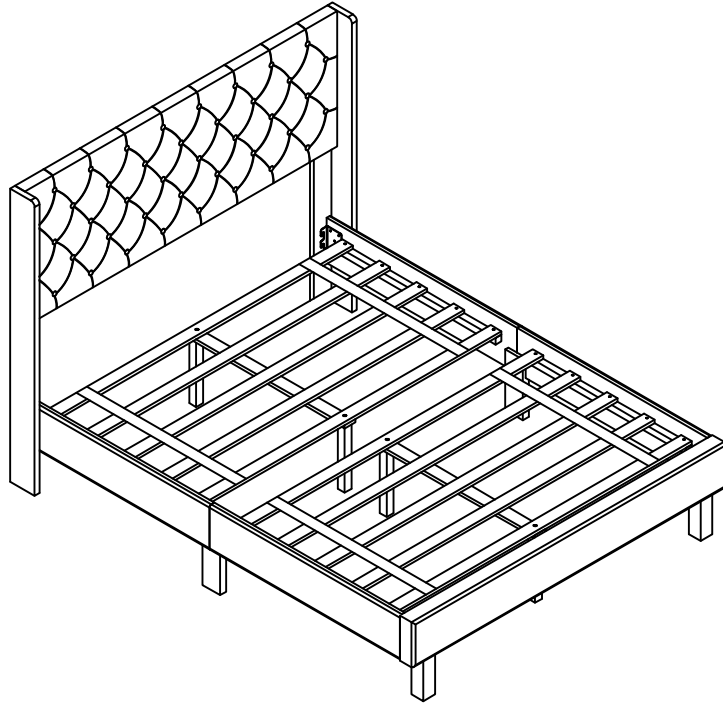


MODEL : SH 1003 LIZZE QUEEN BED



Read these instructions carefully.

Refer to "HARDWARE" and "PART" list for assembly guidance.




















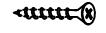
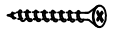



Check to ensure all "PARTS" and "HARDWARE" quantities, as noted as enclosed prior to commencement of assembly.

Place all furniture parts on a clean and flat soft surface to prevent any scratches possible.

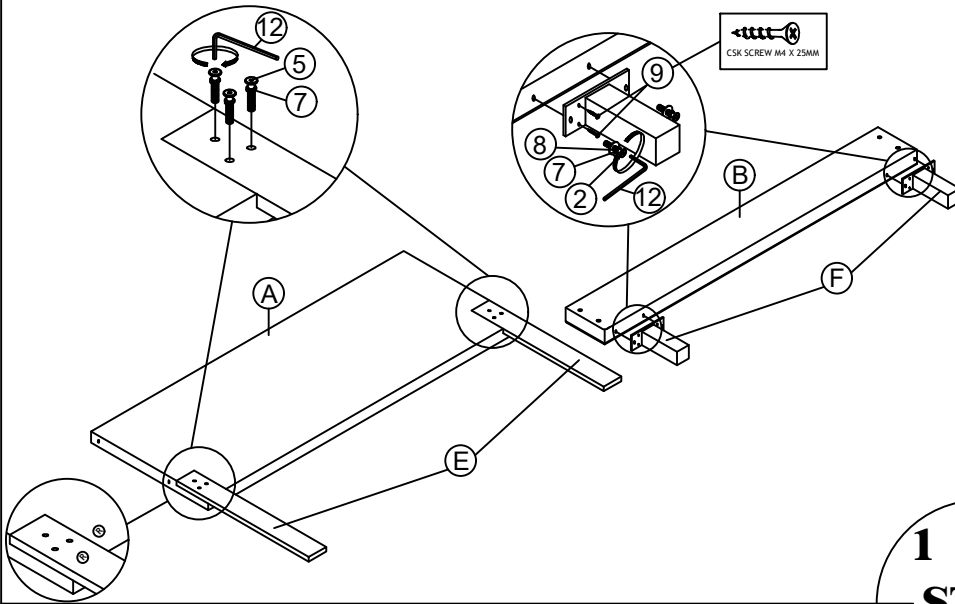
Follow the "LINE DRAWINGS" to assemble product.

CAUTION : 1. DO NOT FULLY TIGHTEN BOLTS/NUTS UNTIL PRODUCT FULLY ASSEMBLED.
2. DO NOT OVER TIGHTEN BOLTS/NUTS AS THIS CAN CAUSE DAMAGED TO TREADS.
3. KEEP ALL HARDWARE OUT OF REACH OF CHILDREN.

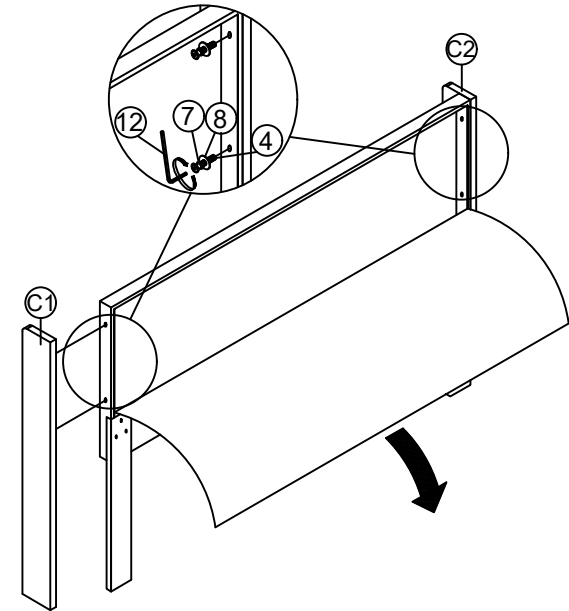
NOTE : THE QUANTITY OF BOTH "PARTS" AND "HARDWARE" RELATE TO 1 UNIT BED ONLY.

ITEM	PART LISTS	DESCRIPTION	QTY
A	HEADBOARD		1
B	FOOTBOARD		1
C1/ C2	HEADBOARD WINGS		2
D1/ D2	SIDE RAIL		4
E	HEADBOARD LEG		2
F	FOOTBOARD LEG		2
G	SIDE RAIL SUPPORT WOOD		4
H	SIDE RAIL LEG		2
I	SLAT		10
J	CENTER RAIL		2
K	CENTER LEG		4
ITEM	HARDWARE LISTS	DESCRIPTION	QTY
1	JCBB M8 X 20MM		8
2	JCBC M6 X 20MM		4
3	JCBC M6 X 30MM		20
4	JCBC M6 X 40MM		4
5	JCBC M6 X 50MM		6
6	JCBC M6 X 60MM		4
7	SPRING WASHER		14
8	FLAT WASHER		16
9	CSK SCREW M4 X 25MM		4
10	CSK SCREW M4 X 32MM		20
11	ADJUSTER M6 X 29MM		4
12	ALLEN KEY M4		1
13	ALLEN KEY M5		1

Fix the headboard (A) and footboard (B) with legs as shown.

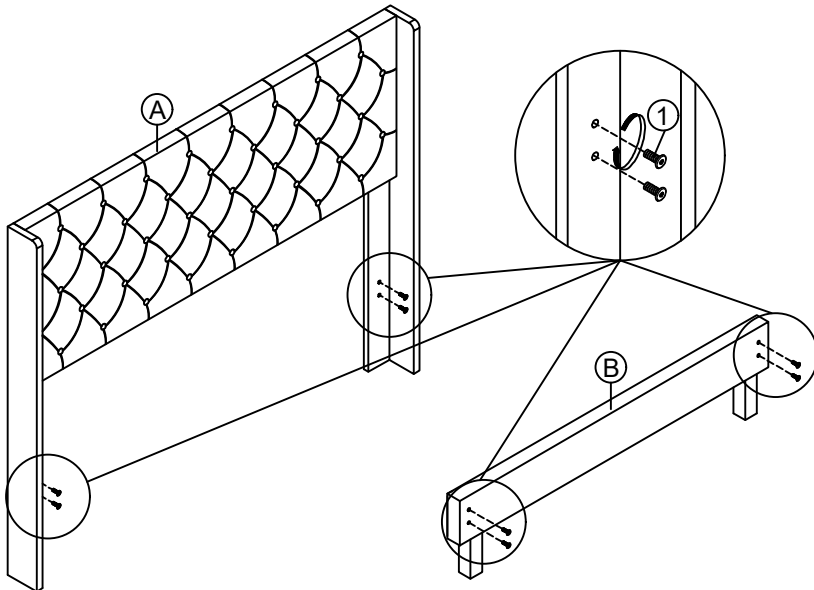


Attach headboard wings (C1 & C2) to headboard (A)

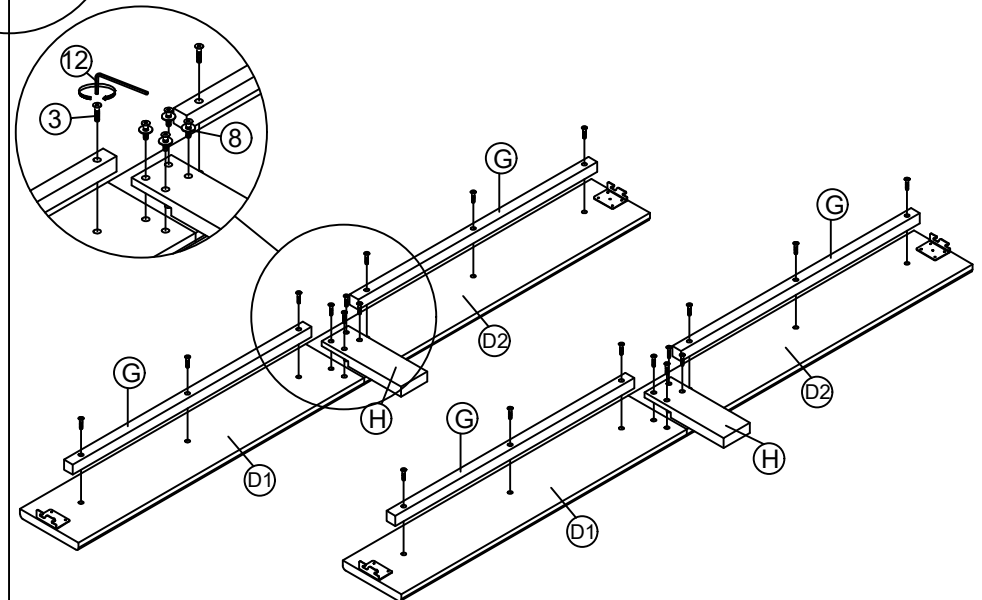


1 **2**
STEP
3 **4**

Loosely fit JCBB M8 x 20MM (1) into headboard (A) and footboard (B).

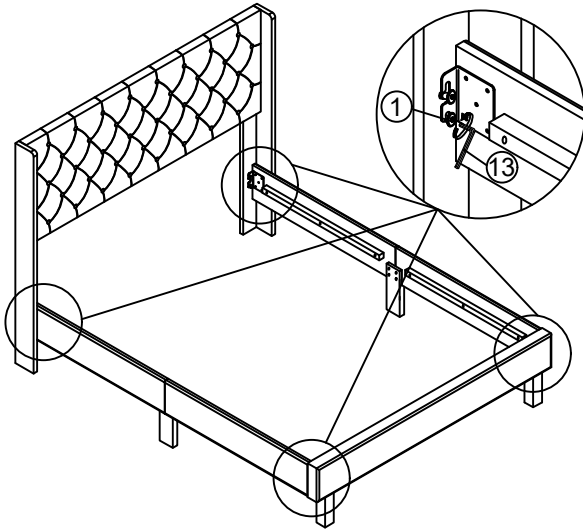


Attach side rail support wood (G) and side rail leg (H) to side rail (D1 & D2)

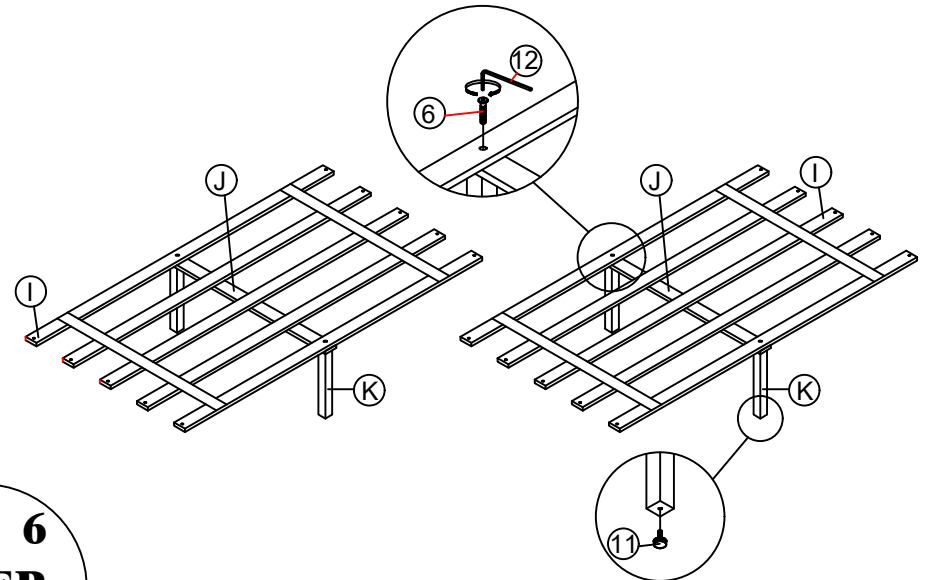


Attach side rail (D1 & D2) to headboard (A) and footboard (B) by pushing the bracket down fit it.

Tighten all JCBB M8 x 20mm (1) using allen key (13)



Tighten the JCBC M6 x 60mm (6) through the slat (I) and center rail (J) using allen key M4 (12). Adjust adjuster (11) for leveling and stability.



5 6
STEP
7

Use csk screw M4 x 32mm (10) provided and fix slat base to side rails (D1 & D2).

