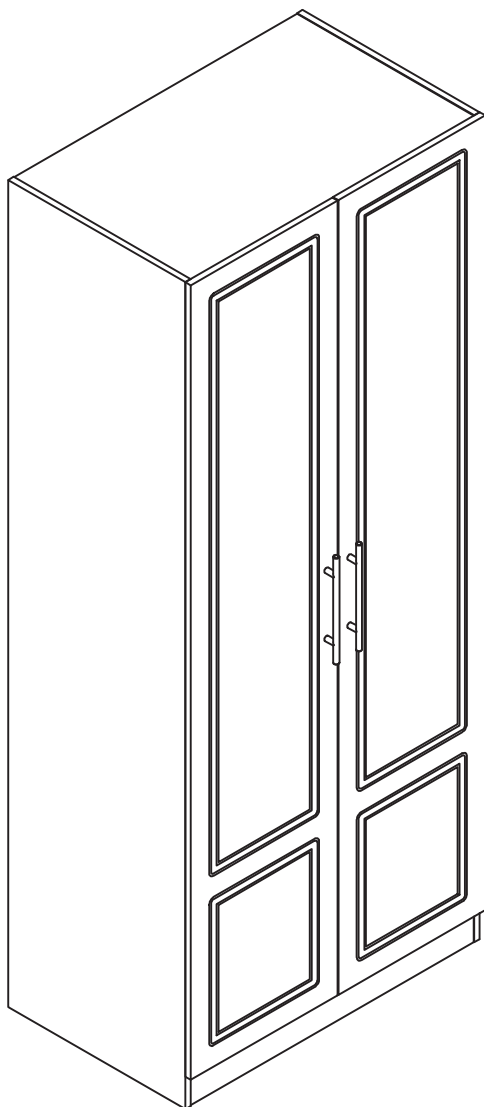


Wardrobe Installation Manual



Please read this manual carefully before any operation and keep it properly for future use.

⚠ WARNING

Keep all parts out of the children's reach.

NOTE

You need to have a crosshead screwdriver.



crosshead screwdriver

Place all the panels on a clean and smooth surface, such as a rug or carpet, to prevent them from being scratched.
 Make sure that all parts in your product package, including panels and accessories, match up with those listed in the Panels & Accessories list.
 Don't tighten screws or bolts until all the pieces are fitted.
 It is recommended to have 2 persons to complete the assembly.

Furniture Assembly Manual



120MIN
APPROXIMATE
ASSEMBLY TIME



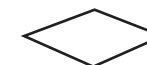
2 PERSON ASSEMBLY

Number of
packages



X1

**REQUIRED
ASSEMBLY SPACE**
FLOOR AREA 2MX3M

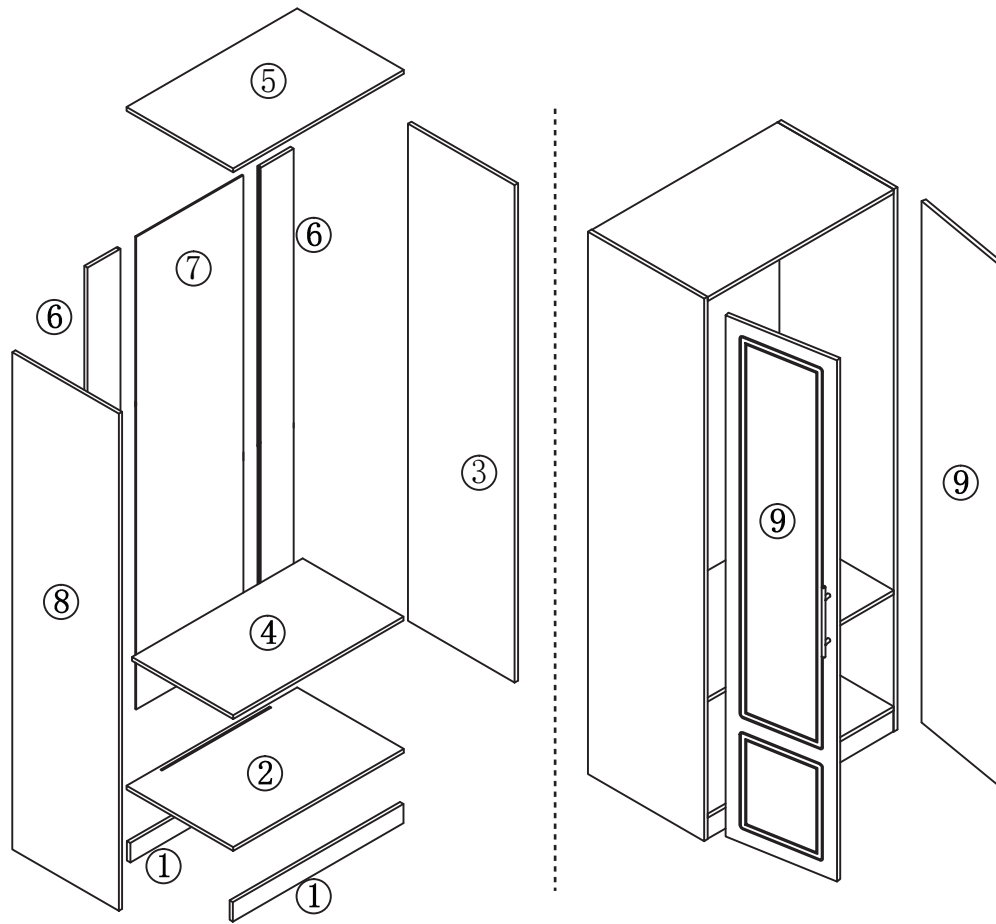


NOTE:

Each board is labeled with a serial number
 Please line up each board by serial number before you
 begin installation.

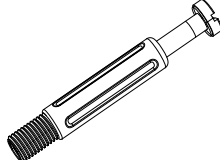
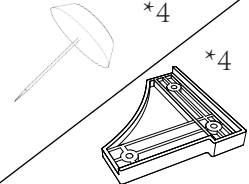
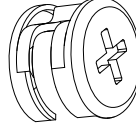
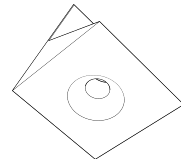

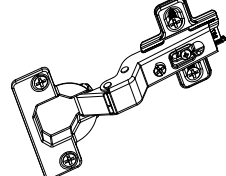
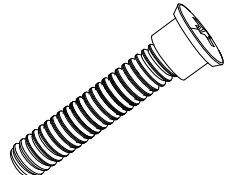
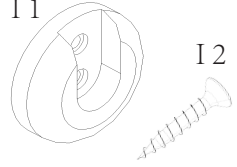
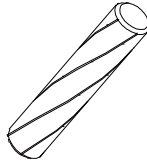
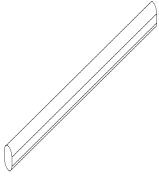
Panel& PanelNumber

Please place the panel on the carpet to prevent scratching



Accessories List

Installation Guide

NO.	Reference image	QTY	NO.	Reference image	QTY
A		*37	F	 *4	*4
B		*37	G		*6
C	 $\varnothing 3.5 \times 14$	*68	H		*8
D		*2	I	 I1 I2	I1*2 I2*4
E		*6	J		*1

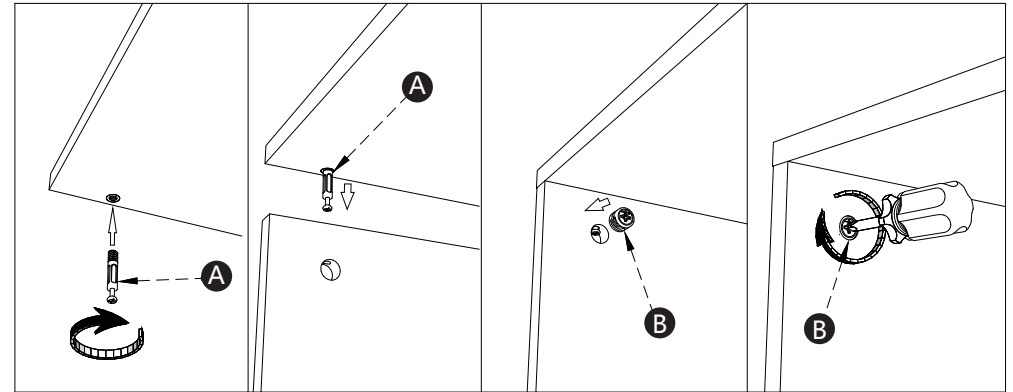
Parts List

The panel is divided into ab side, without holes for A side, with holes for B side(Except for panel ⑤)

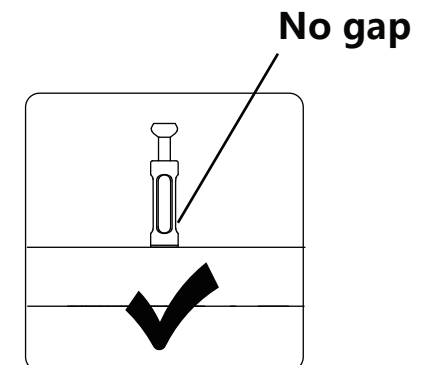
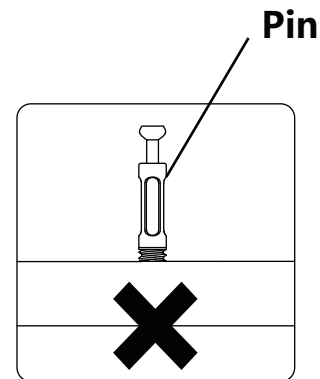
NO.	Reference image	QTY	NO.	Reference image	QTY
①		*2	⑥		*2
②		*1	⑦		*1
③		*1	⑧		*1
④		*1	⑨		*2
⑤		*1	⑩		*2 *4

Installation of Cams and Pins

You need to screw **A** into the panel first, then insert it into the corresponding panel, then put **B** into the corresponding hole to lock it

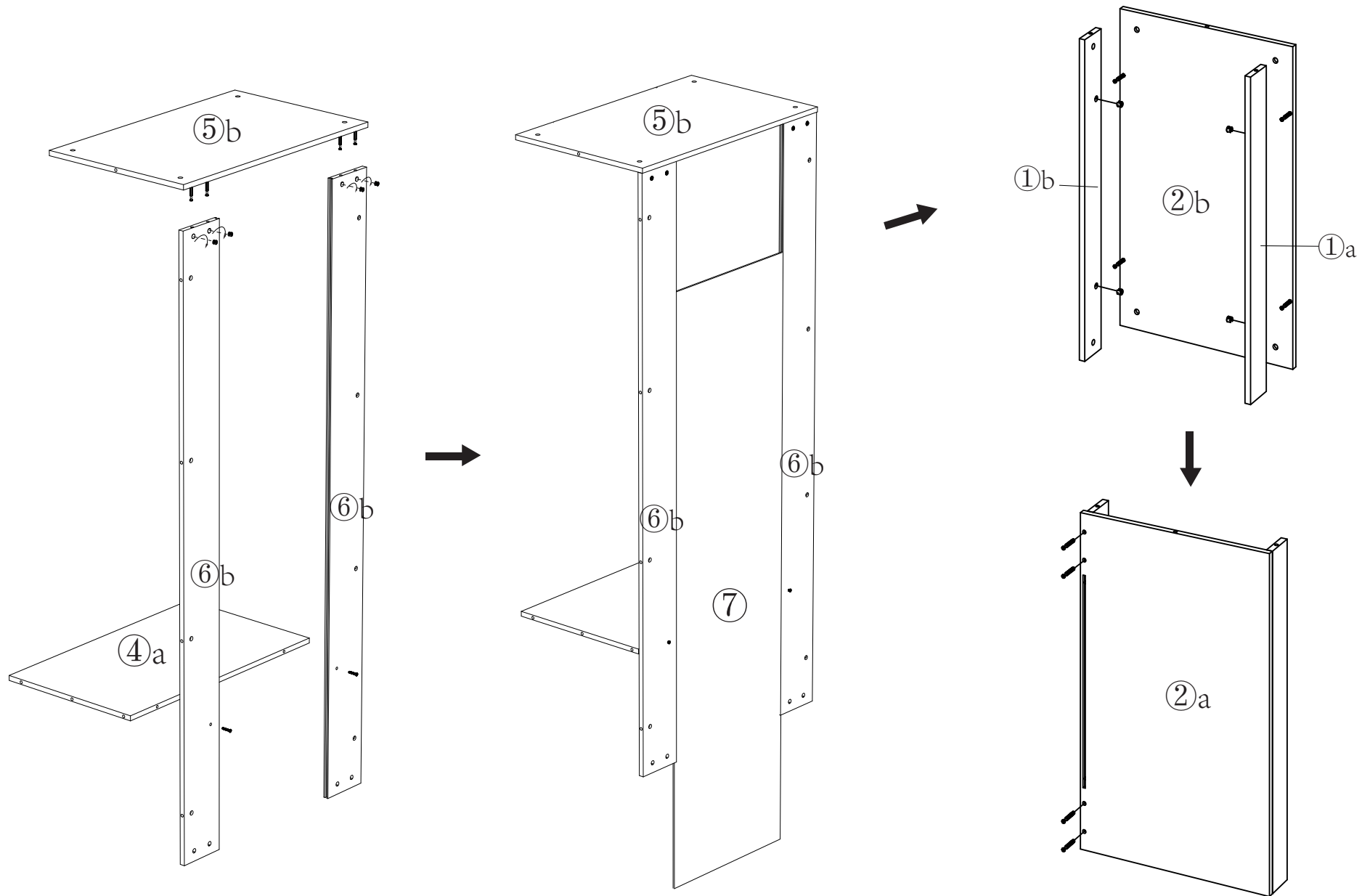


Read each step carefully before starting. It is very important that each step of instruction is performed in the correct order. If these steps are not followed in sequence, assembly difficulties will occur.



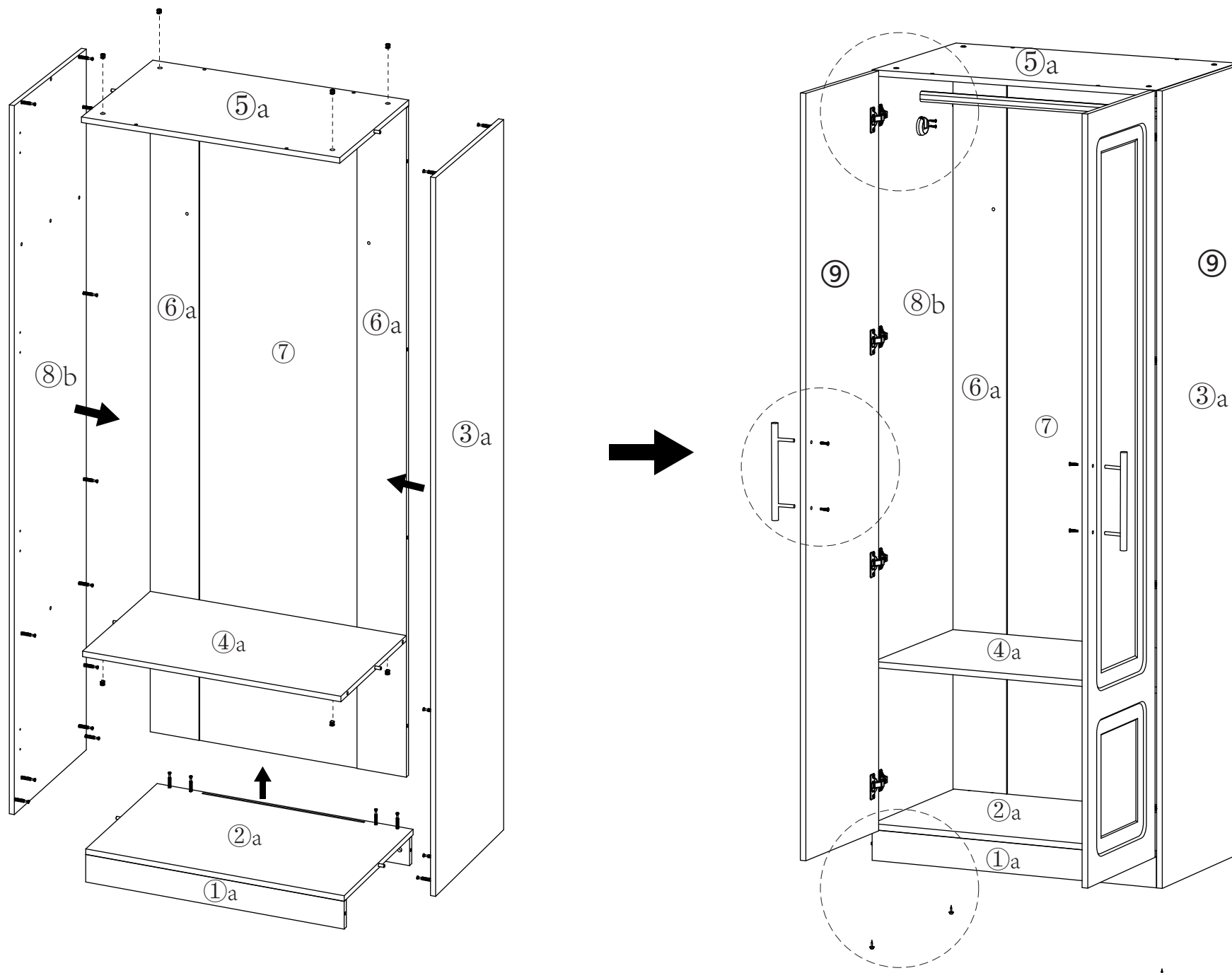
Note:

Pages 3 to 4 are the easiest installation instructions,
please start reading from page 5 for detailed instructions.



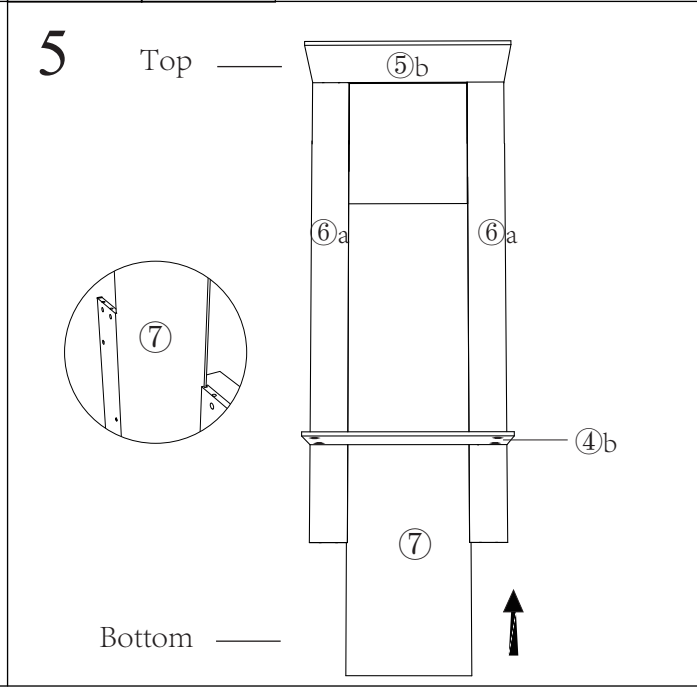
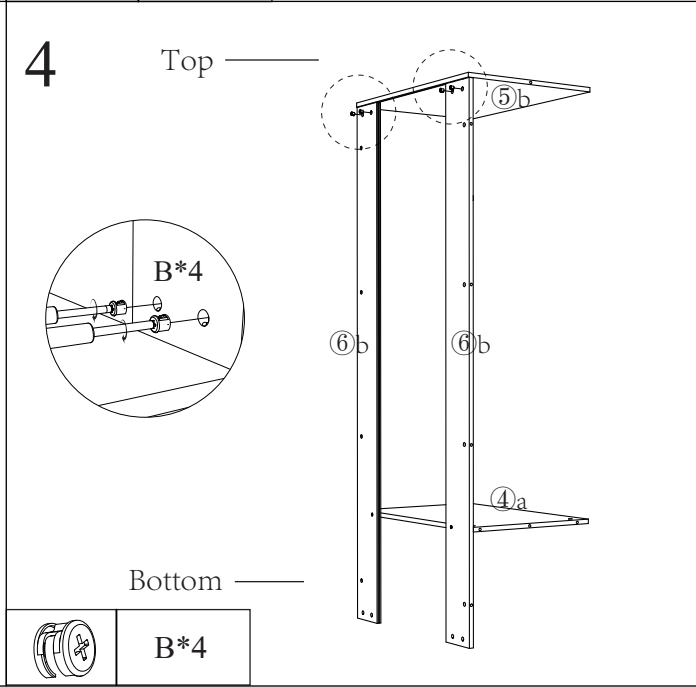
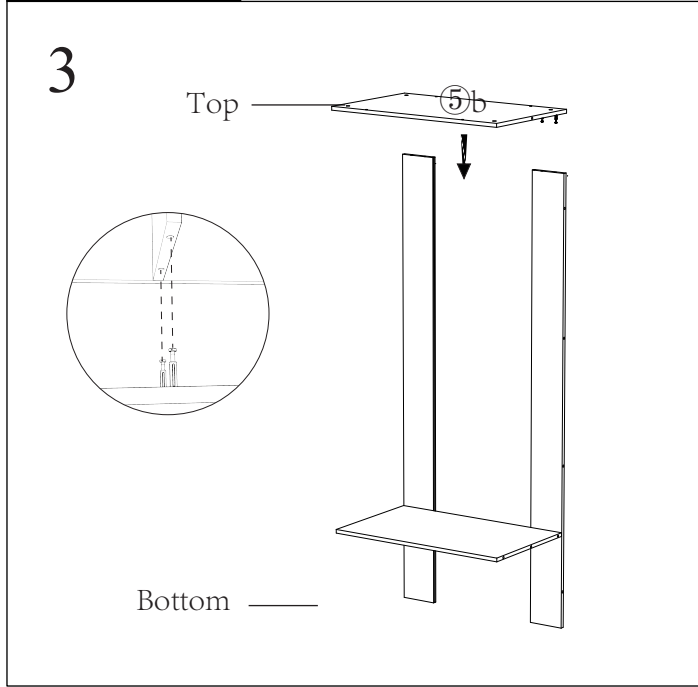
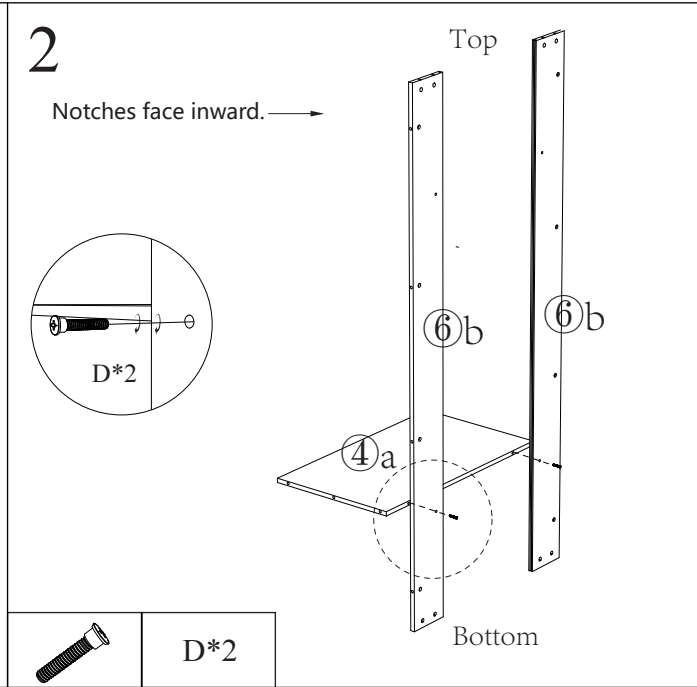
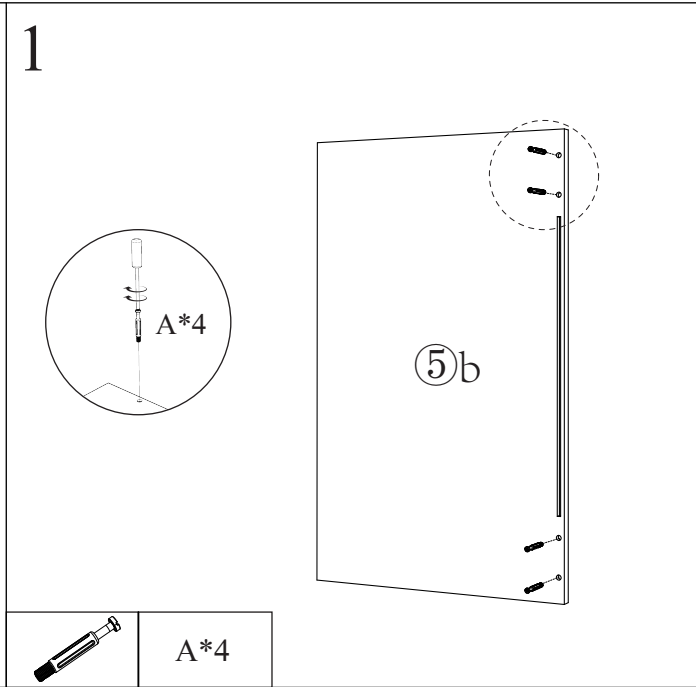
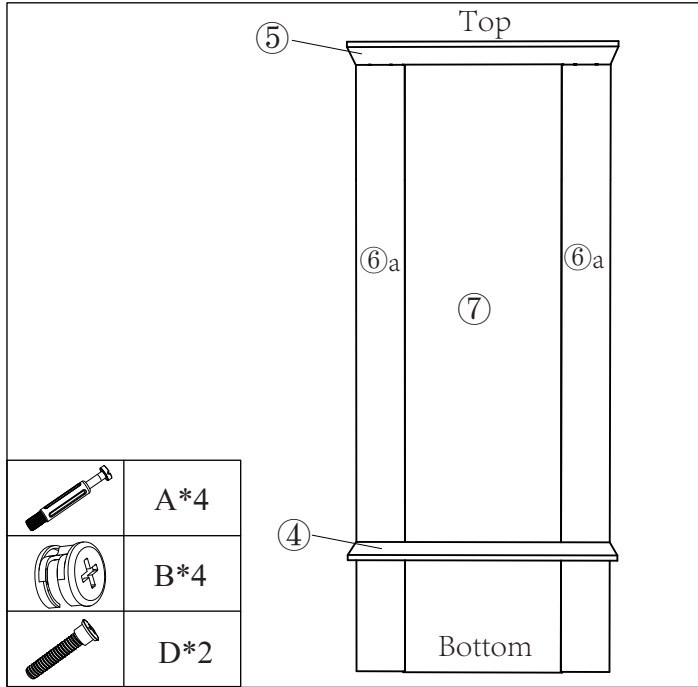
Details of the steps on this page are on pages 5 through 6

After the plate is inserted into the corresponding hole, take care to lock it with B

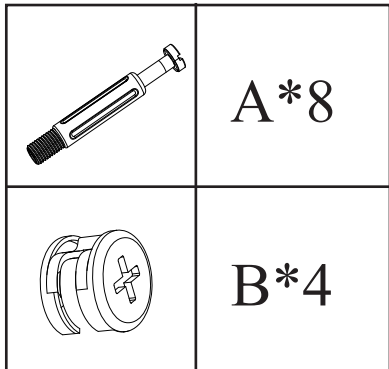
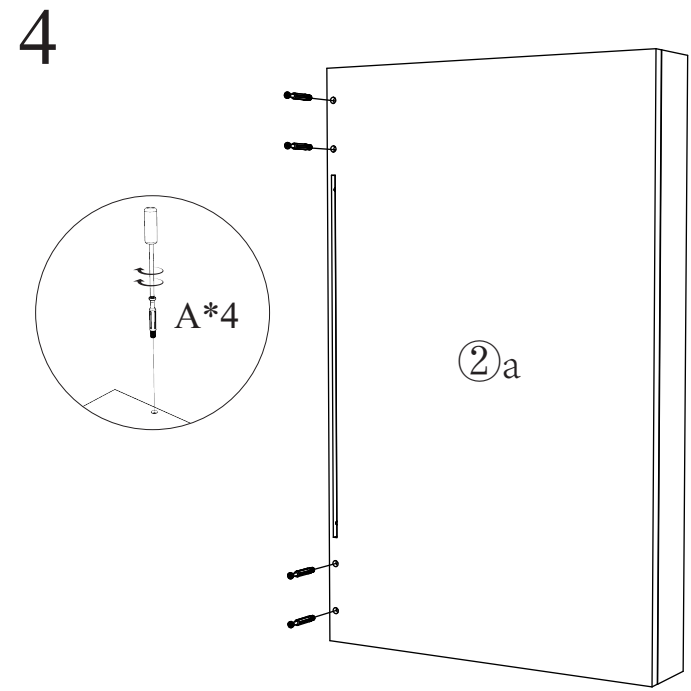
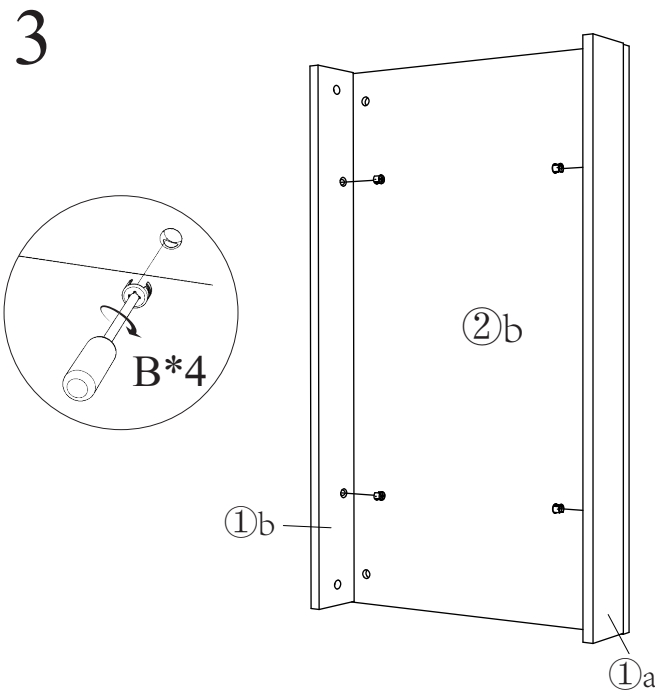
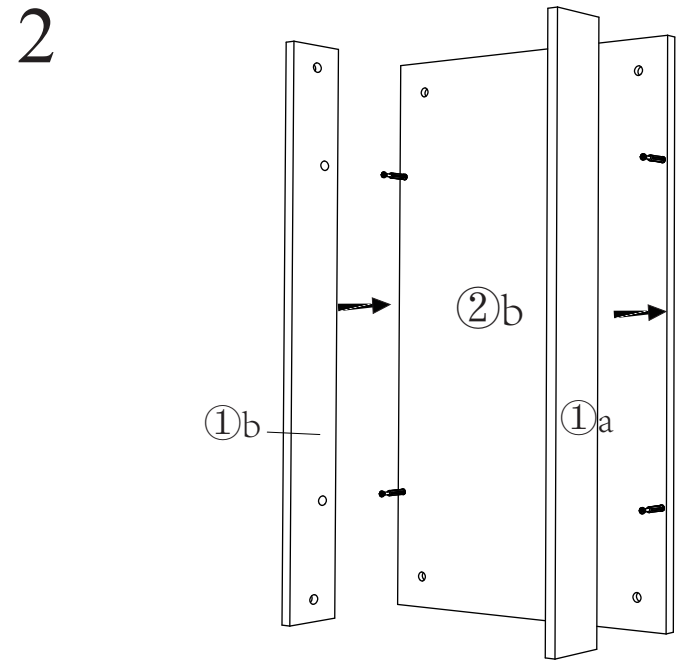
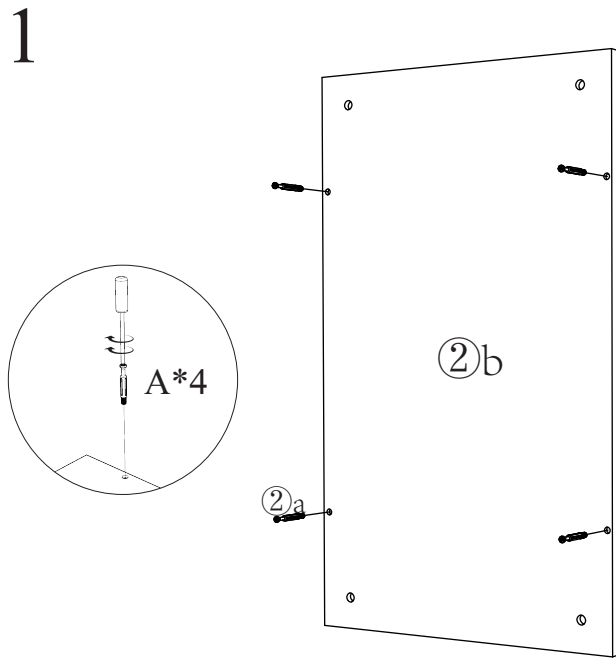


Details of the steps on this page are on pages 7 through 11

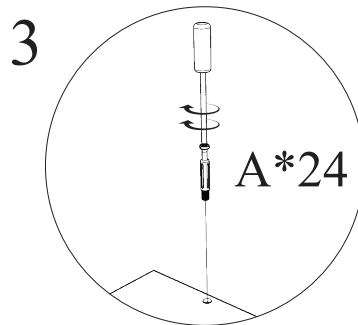
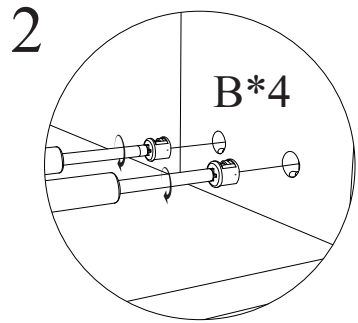
STEP 1

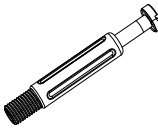
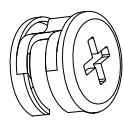


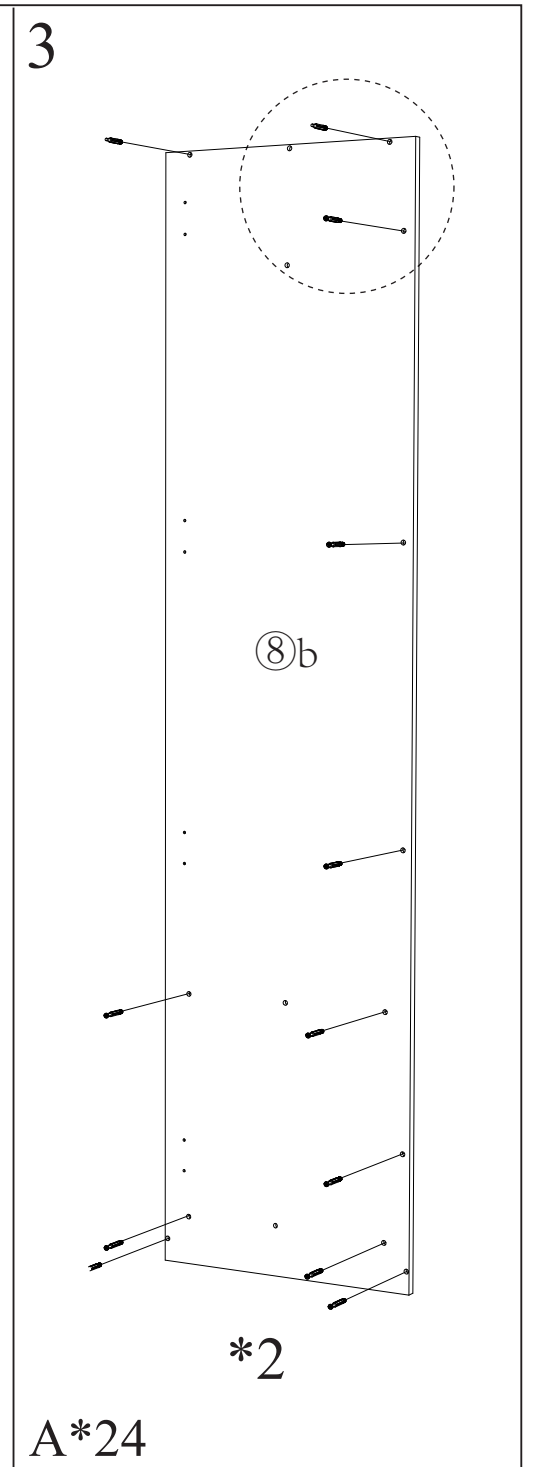
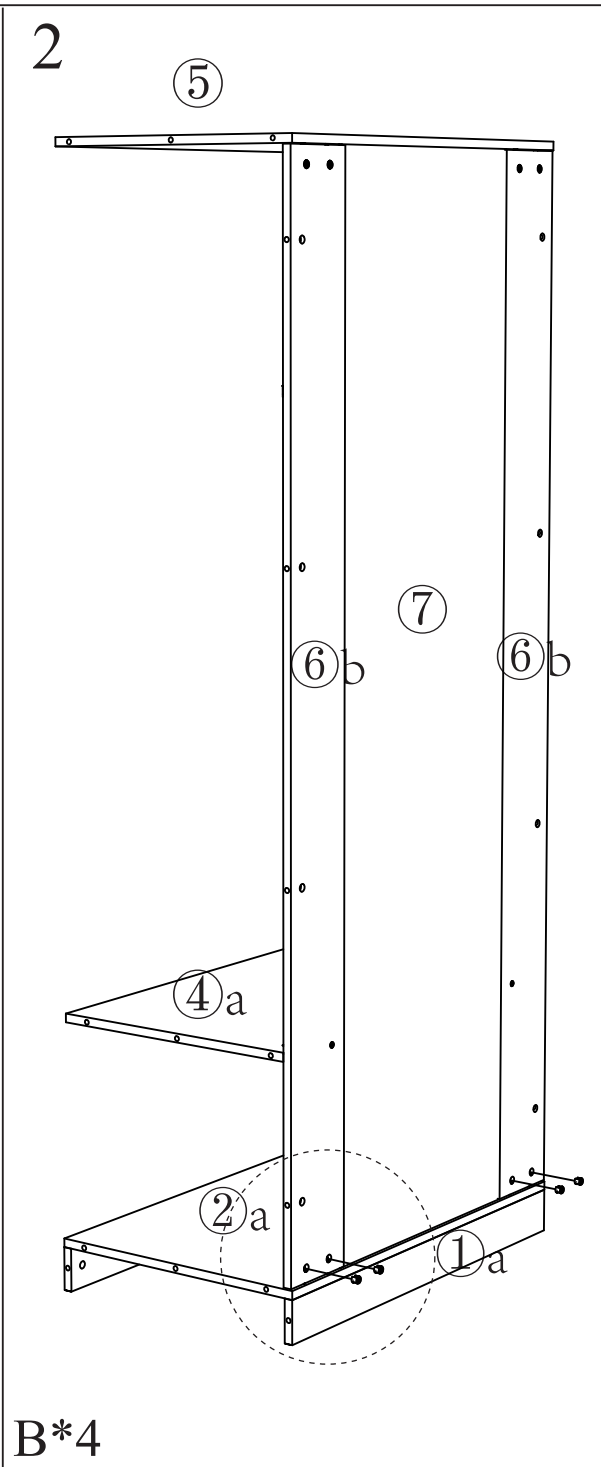
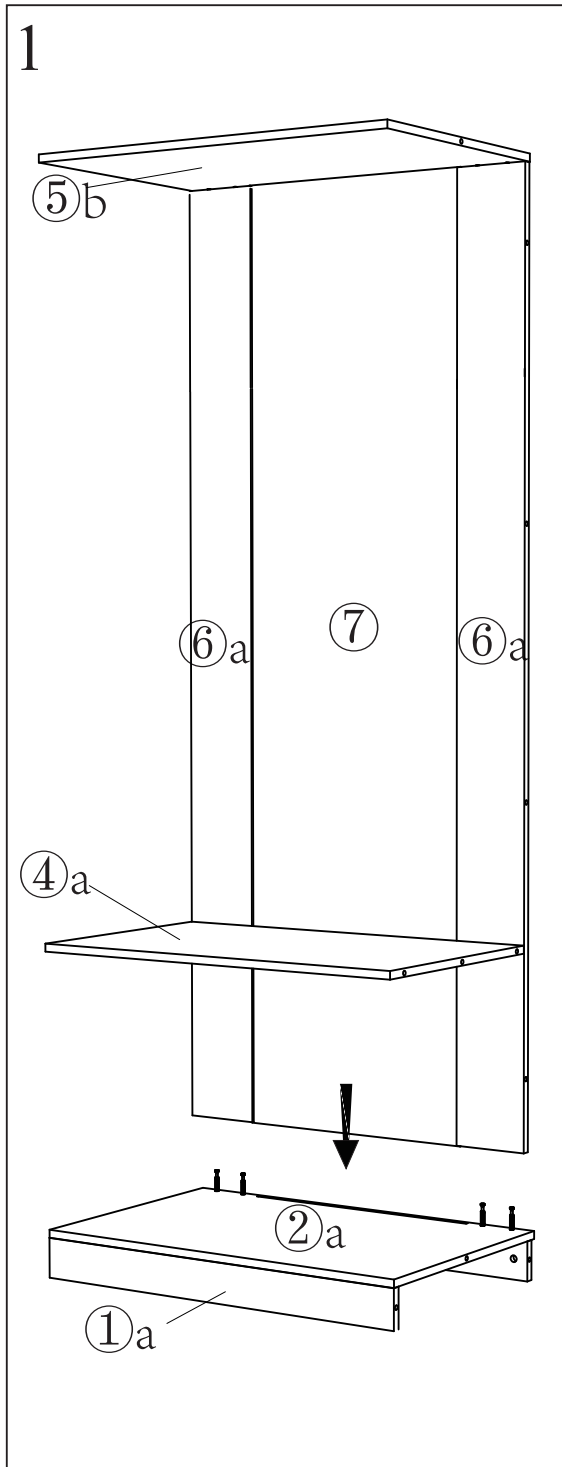
STEP 2



STEP 3



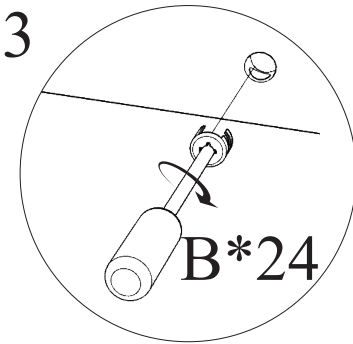
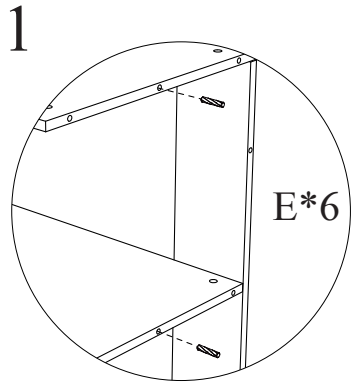
	A*24
	B*4



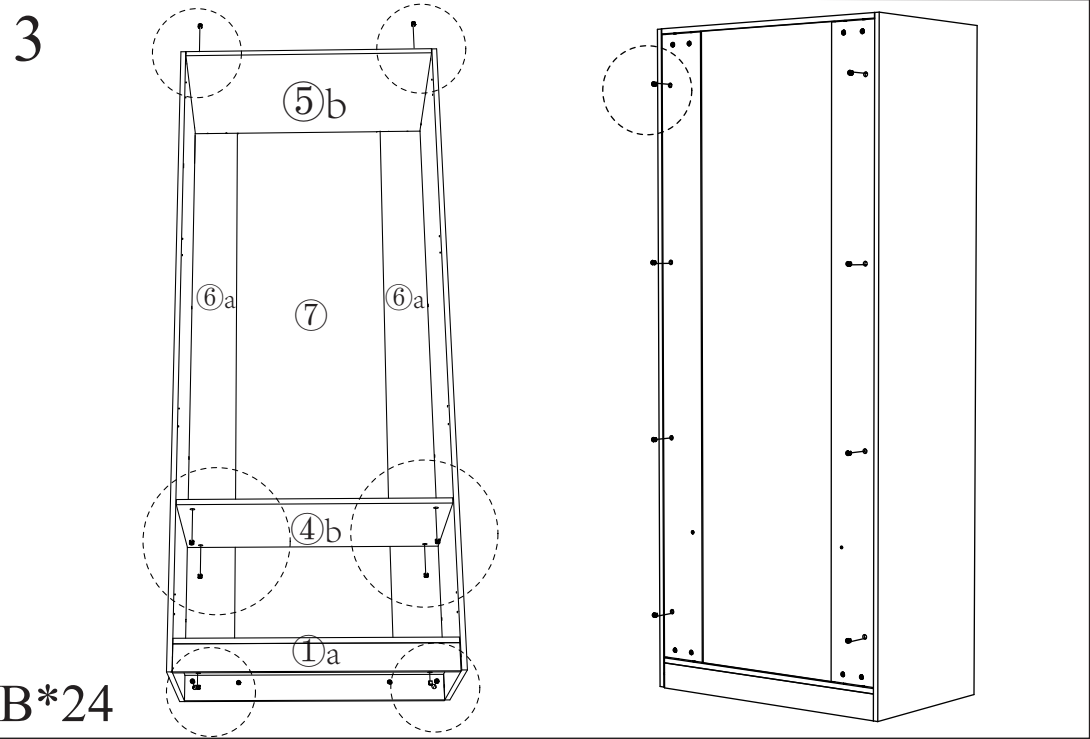
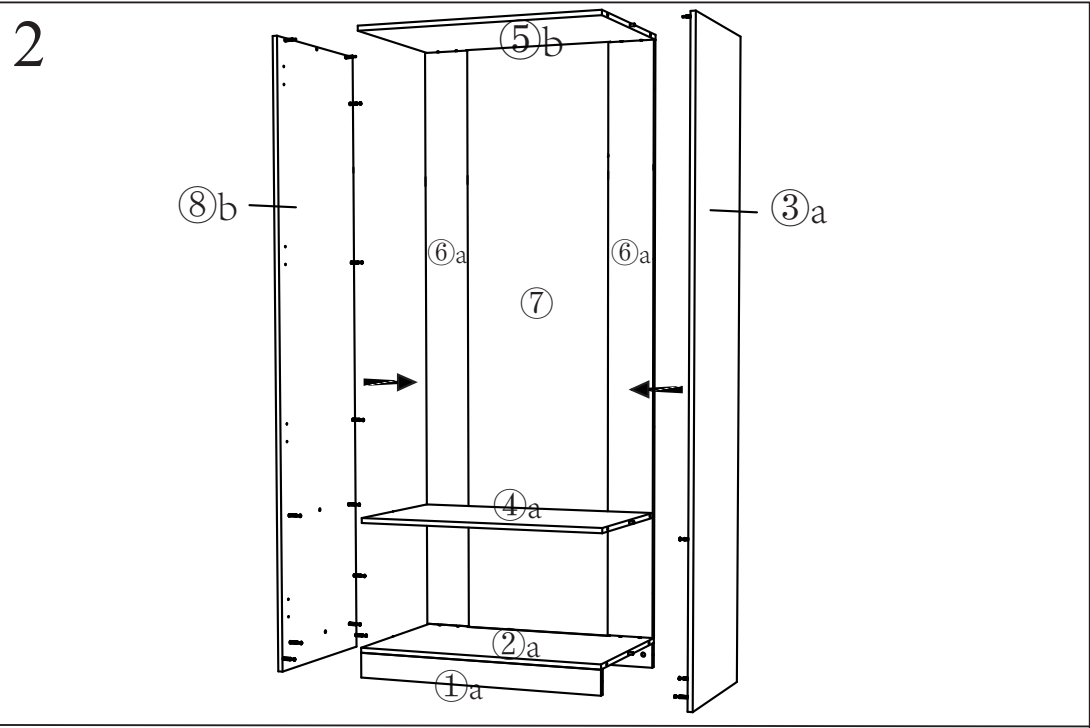
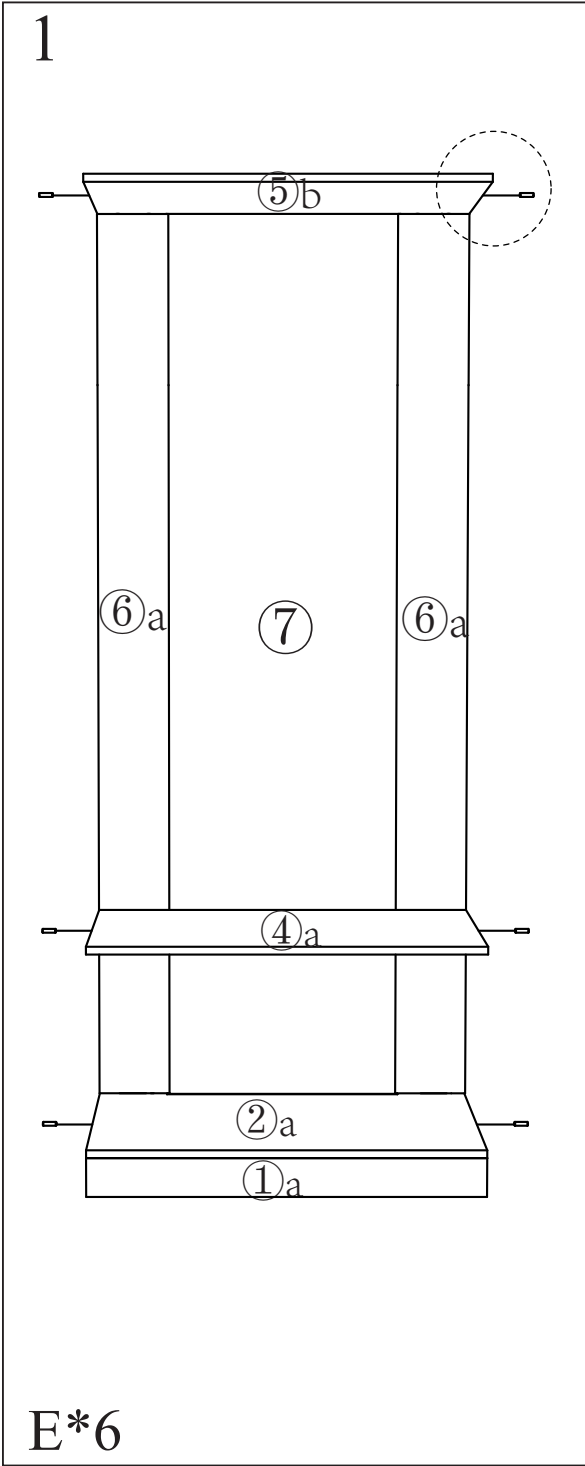
B*4

A*24

STEP4



	B*24
	E*6

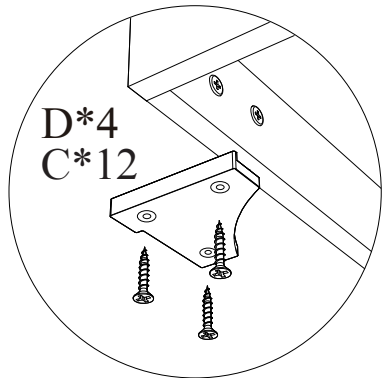
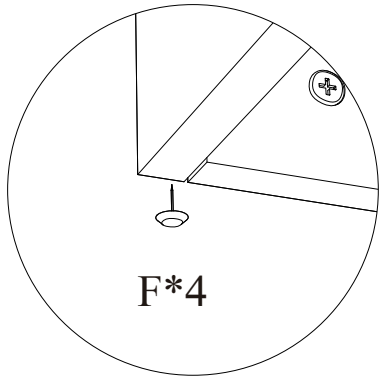



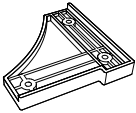

STEP 5

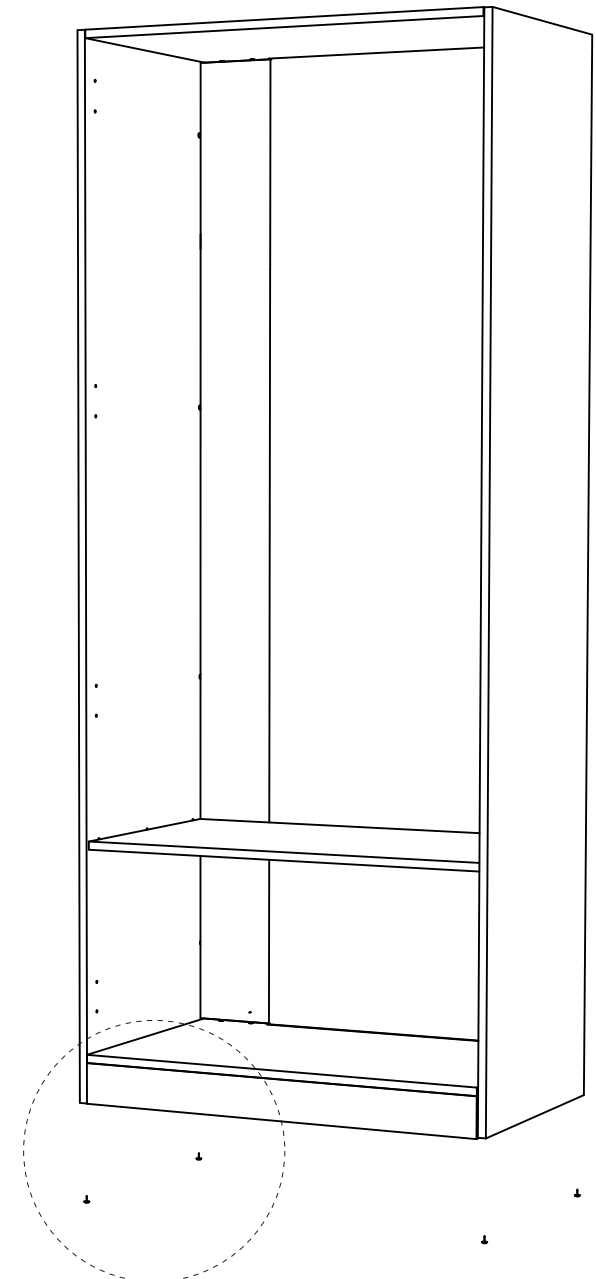
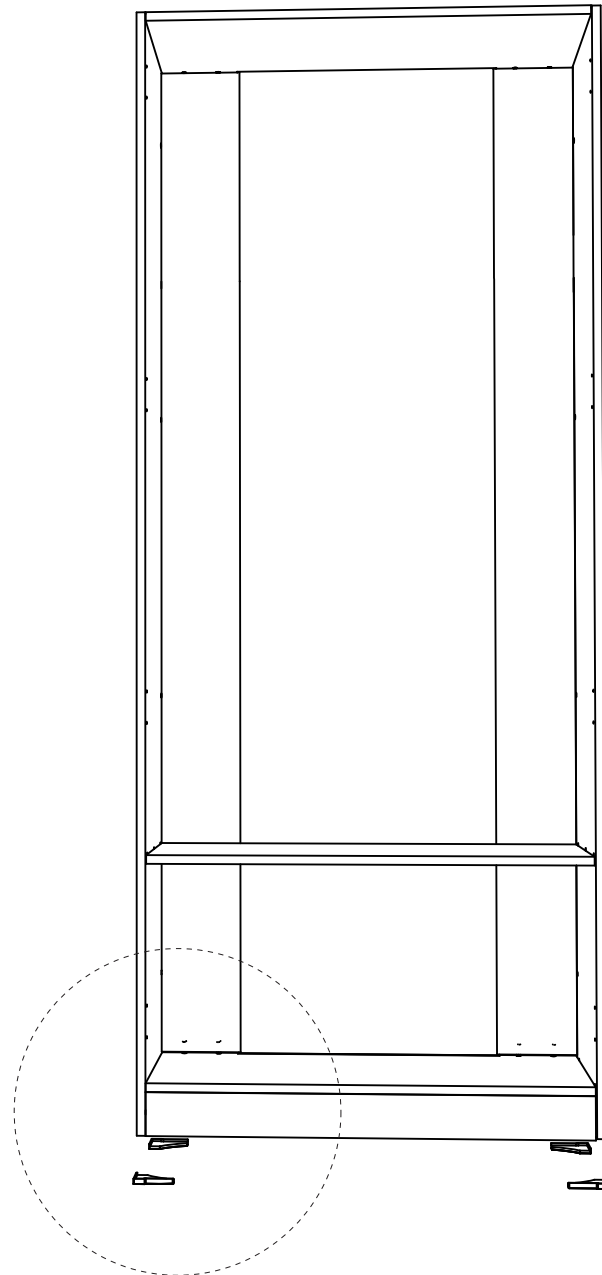
Option 1

Option 2

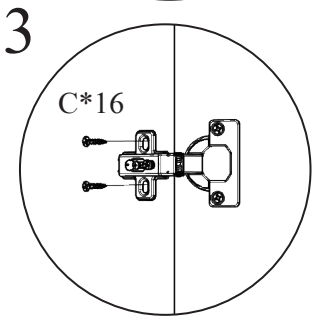
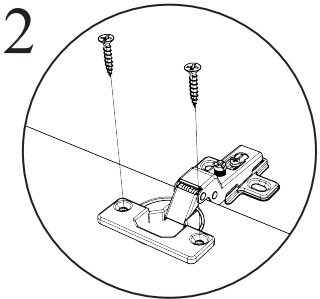
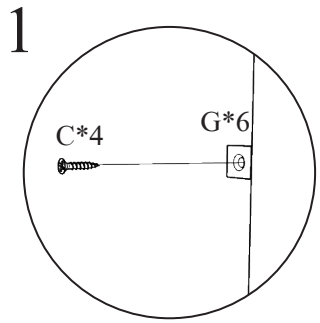
(Choose 1 of 2)


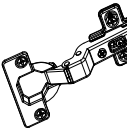



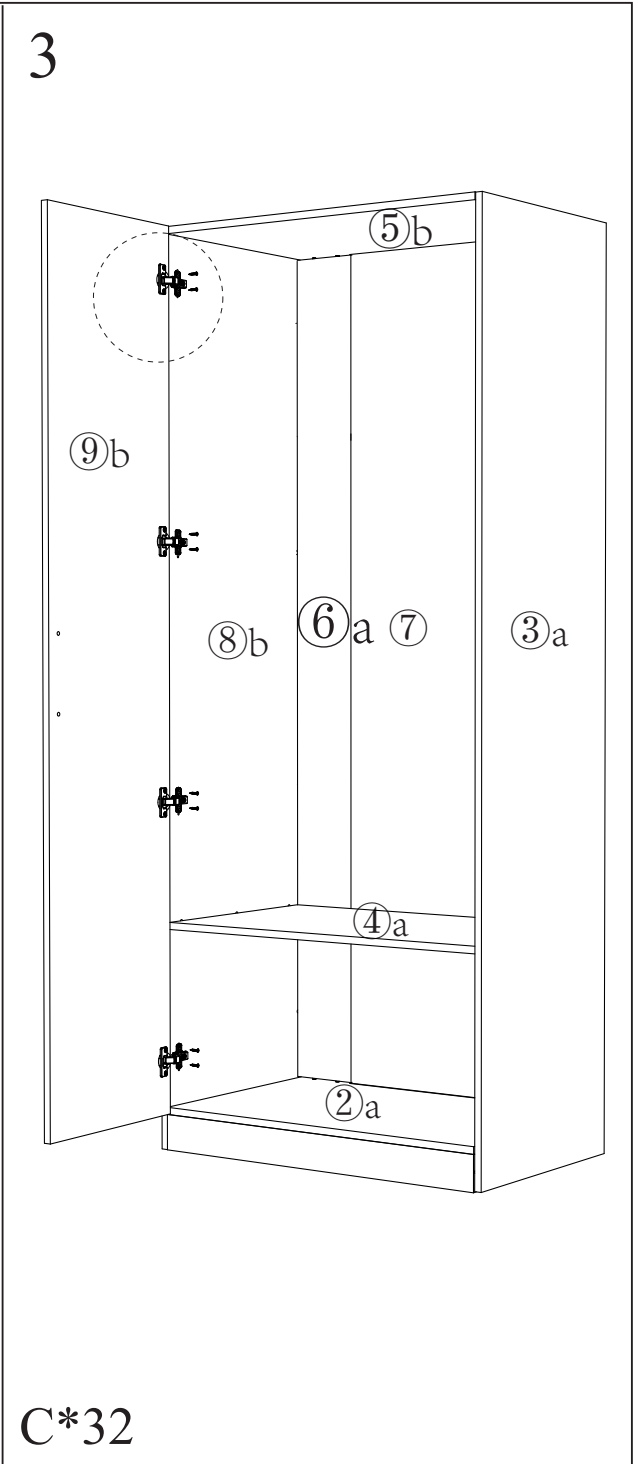
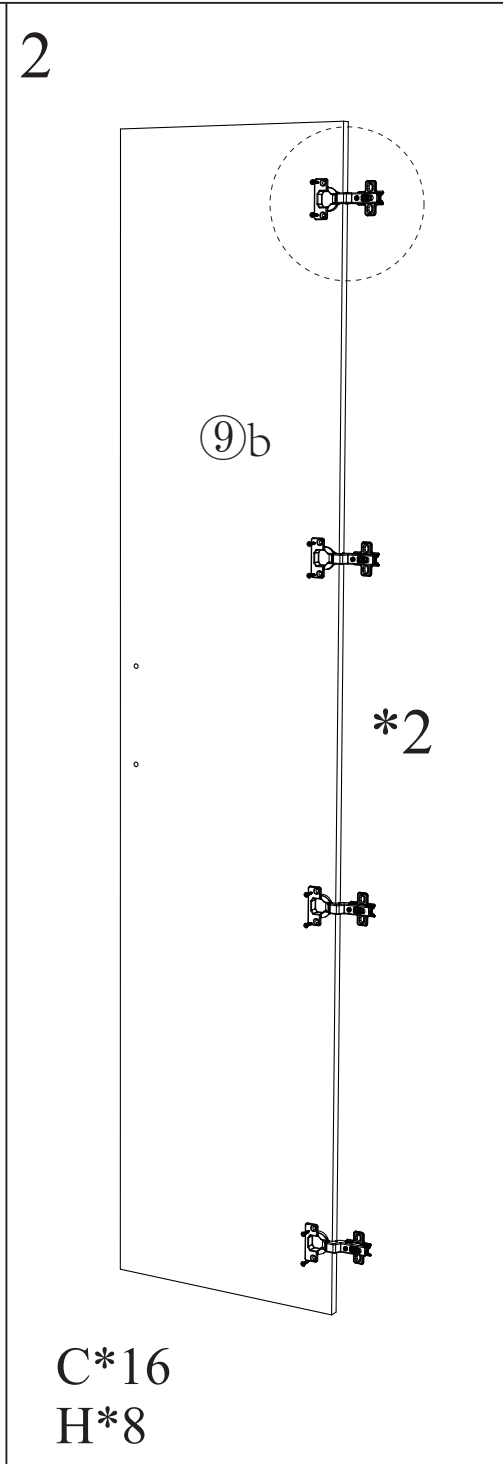
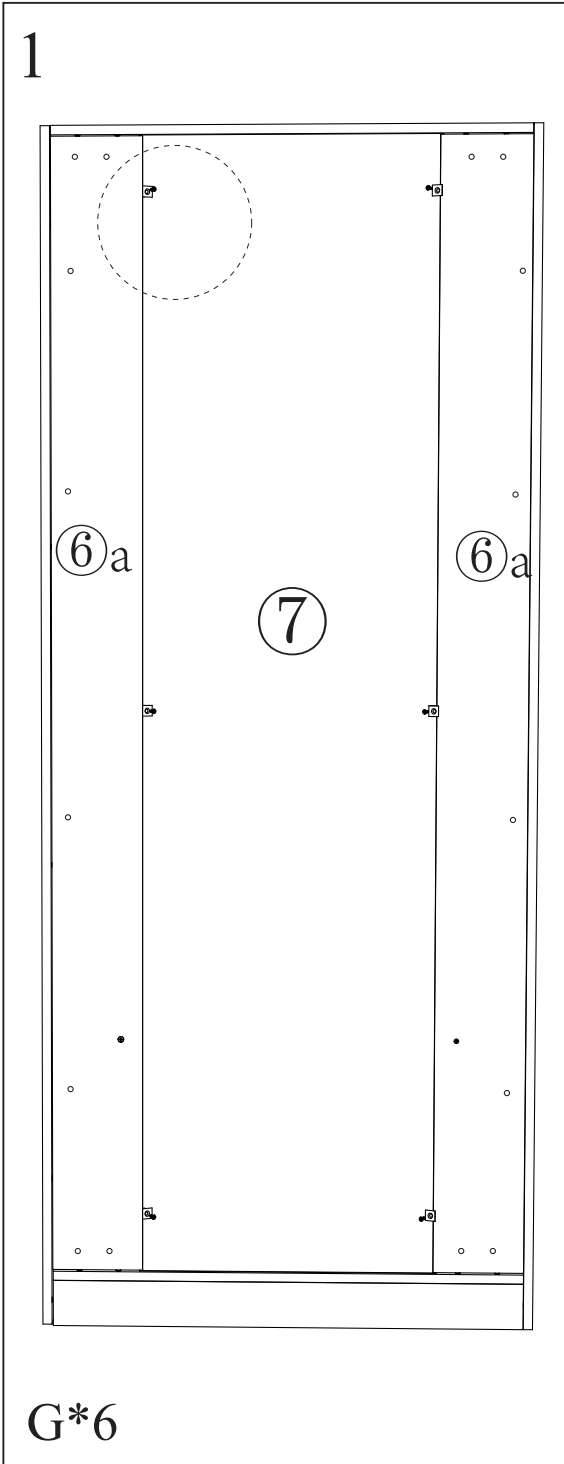
Option 1	
	F*4
Option 2	
	F*4
	C*12



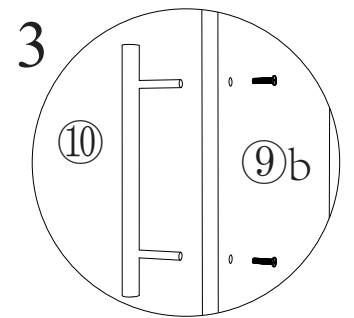
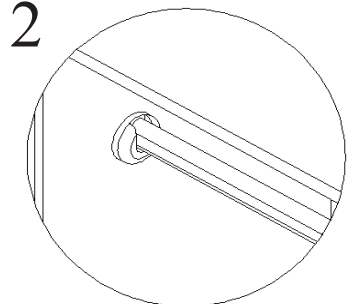
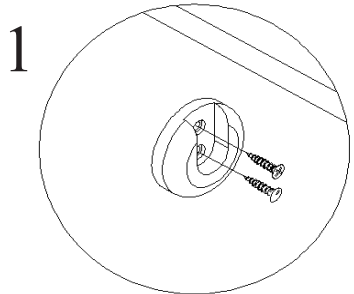
STEP 6


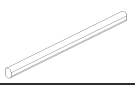




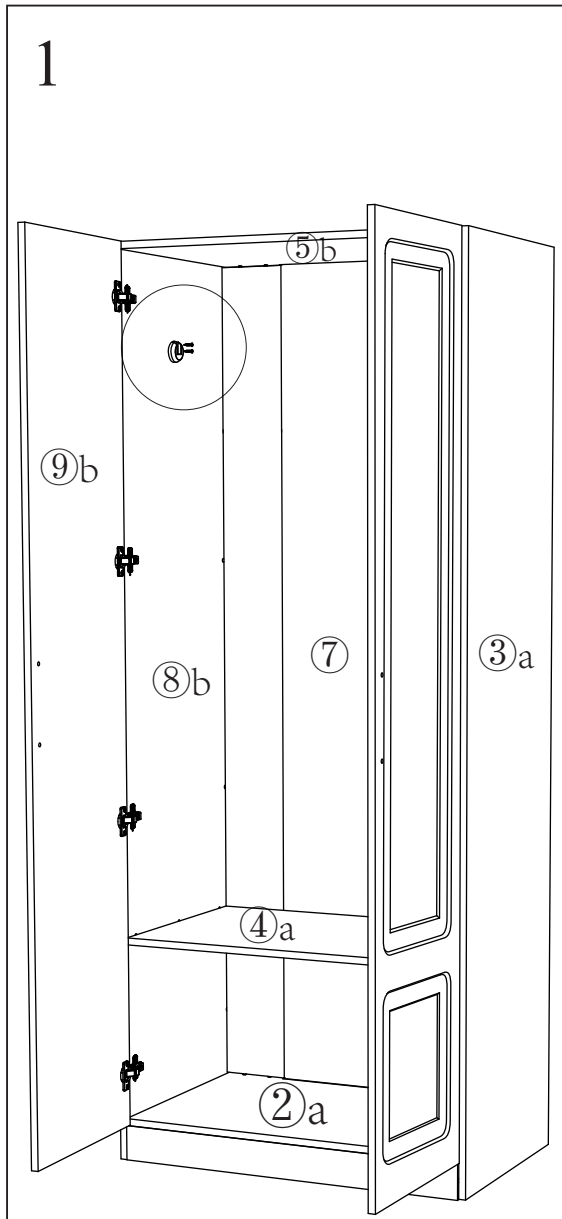
	G*6
	H*8
	C*48



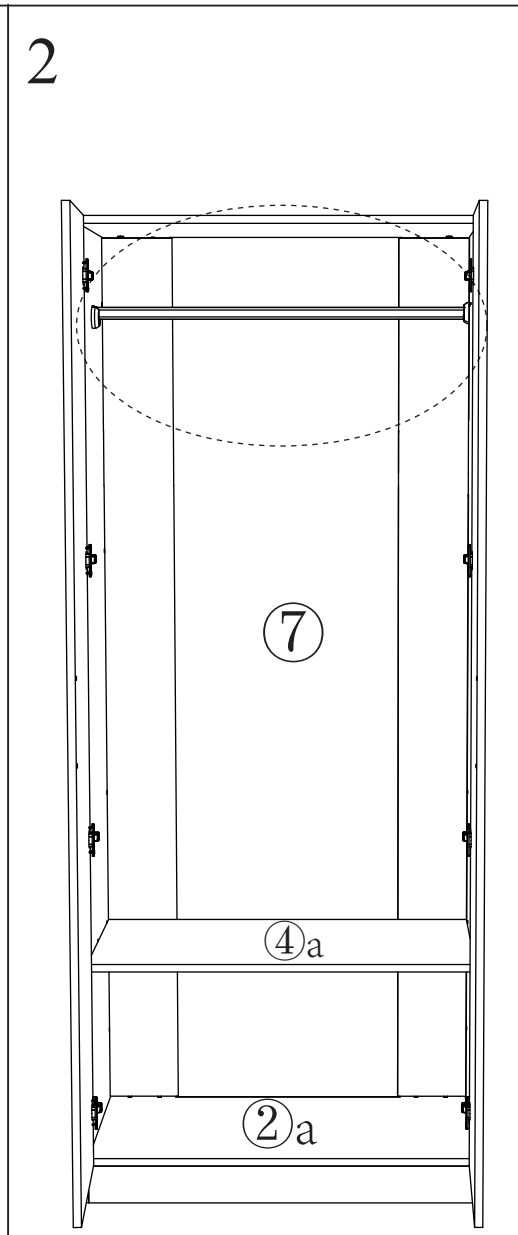
STEP 7



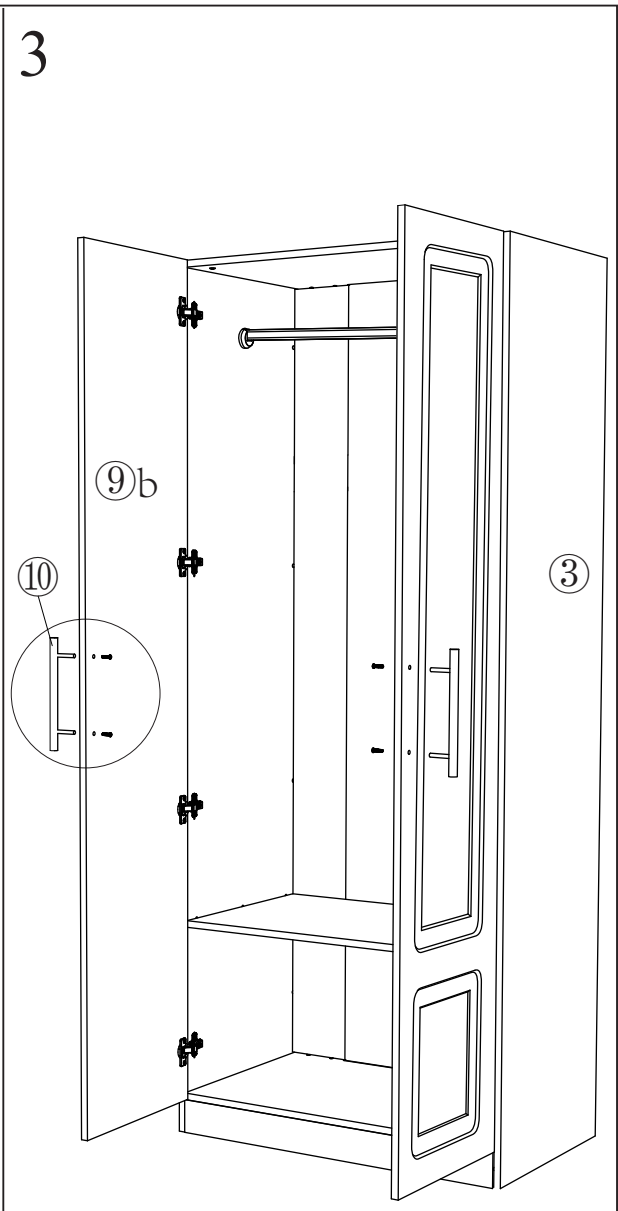
 $\varnothing 4 \times 20$	⑩*4
	J*1
	I 1*2
 $\varnothing 3.5 \times 18$	I 2*4



I 1*2
I 2*4



J*1



⑩*4