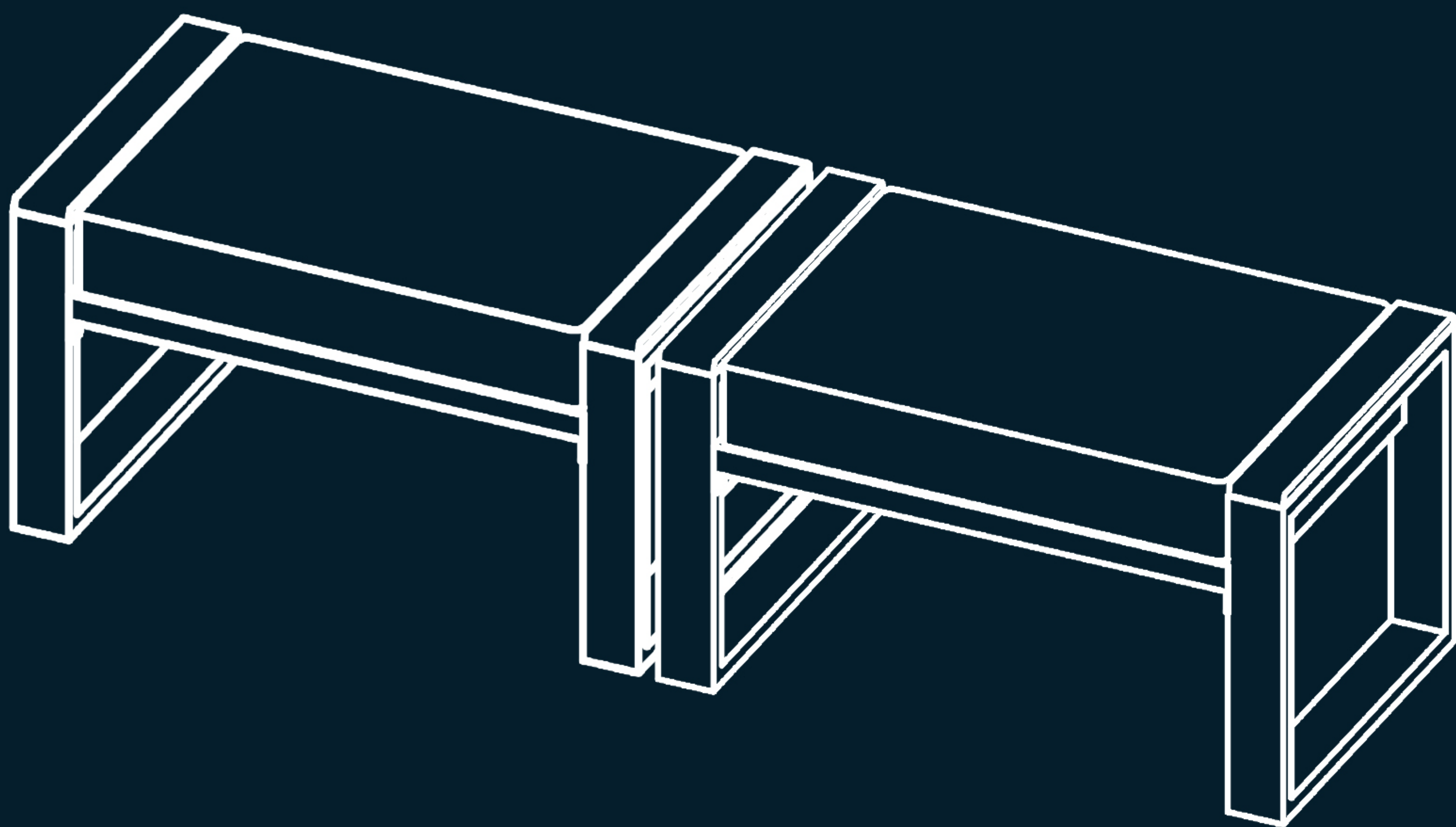


# INSTRUCTION MANUAL



Ottoman





## **READ & SAVE BELOW INSTRUCTIONS BEFORE ASSEMBLY**

- Please separate and identify all parts, making sure that you have all of the parts listed.
- To avoid any scratch during assembly, please assemble on a soft mat or similar.
- Please assemble step by step and follow the instructions.
- Washers must be used.
- Do not completely fasten each screw and nut until all the screws are properly fixed.

## **WARRANTY**

- Thank you for purchasing our outdoor furniture, We are pleased to offer a one-year warranty on the quality of the product. This warranty covers any manufacturing defects or malfunctions that may occur within the first year of ownership.
- Exclusions: The warranty does not cover damages resulting from misuse , negligence, accidents, normal wear and tear, unauthorized repairs or modifications, improper assembly, or failure to adhere to the care and maintenance guidelines provided.

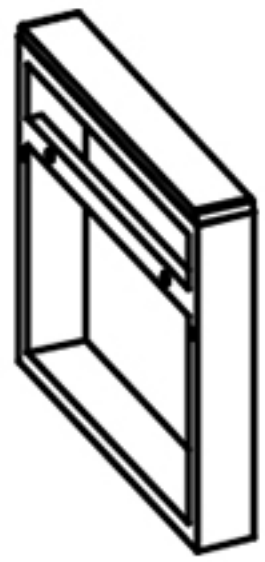
## **MAINTENANCE AND CARE**

- Protect it from extreme weather by moving it to a covered area or using furniture covers.
- Avoid dragging heavy objects on the furniture to prevent damage.
- Regularly inspect for wear or damage and address any issues promptly.
- Check and tighten hardware connections periodically.
- Keep packaging until assembly is complete to avoid losing small parts.
- Use a damp cloth with warm soapy water or a suitable cleaning product to clean the furniture.
- Ensure proper drying after cleaning to prevent mold growth.

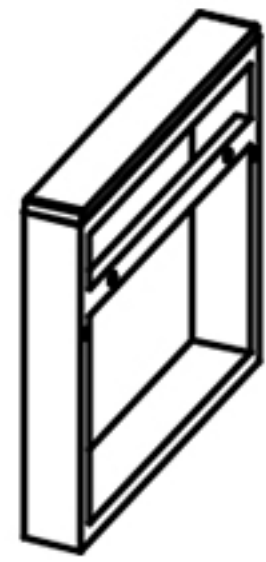
# PARTS

- Carefully unpack all components and verify that all necessary parts are included in the package before assembling. Assemble the furniture in the order specified to ensure proper alignment and installation.
- If any difficulty occurs during assembly, please contact our customer support.

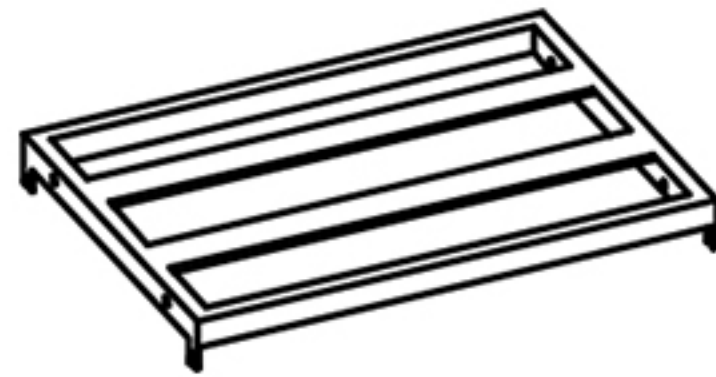
## PARTS



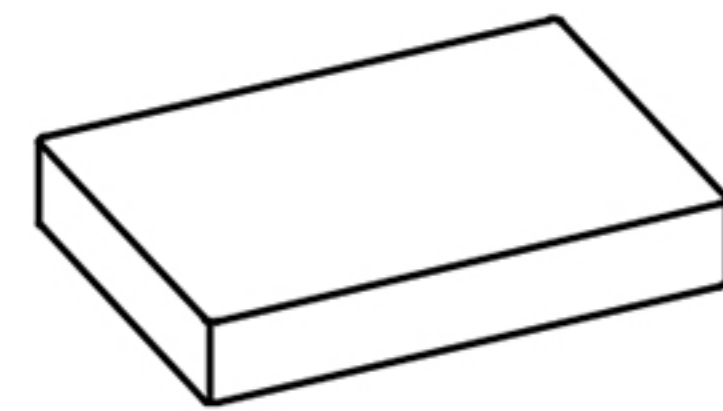
Left Leg  
Lx2



Right Leg  
Ox2



Base  
Mx2

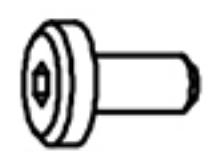


Seat Cushion  
Nx2

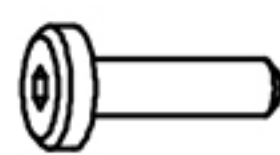
## HARDWARE



Height Adjustment  
Screw  
Qx8



Bolt M6\*15MM  
Rx8



Bolt M6\*32MM  
Sx8

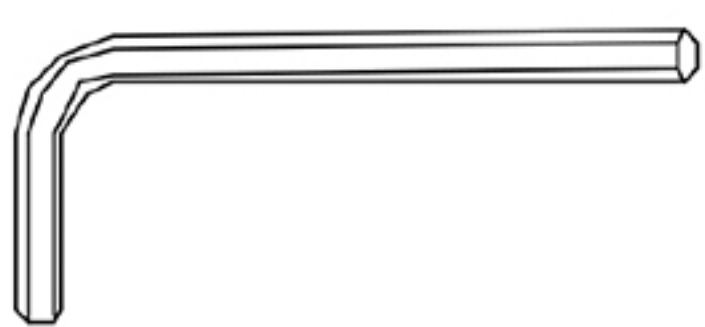


Washer  
Ux16



Cap  
Vx16

## TOOL



Allen Wrench



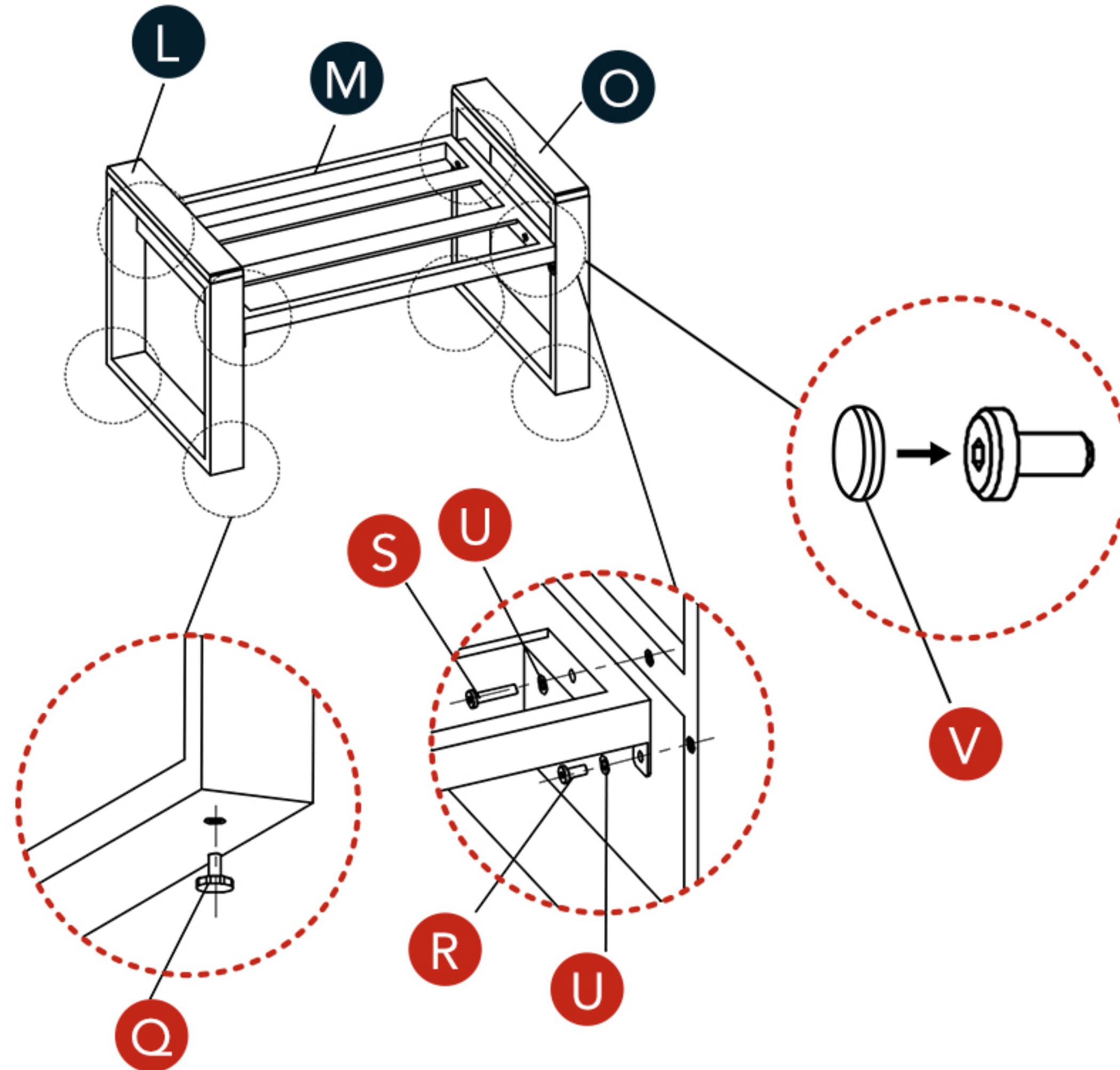
1 PERSON  
ASSEMBLY



UP TO 15 MIN.  
ASSEMBLY

# ASSEMBLY

Note: Do not fully tighten screws, tighten the screws only after all components are installed.



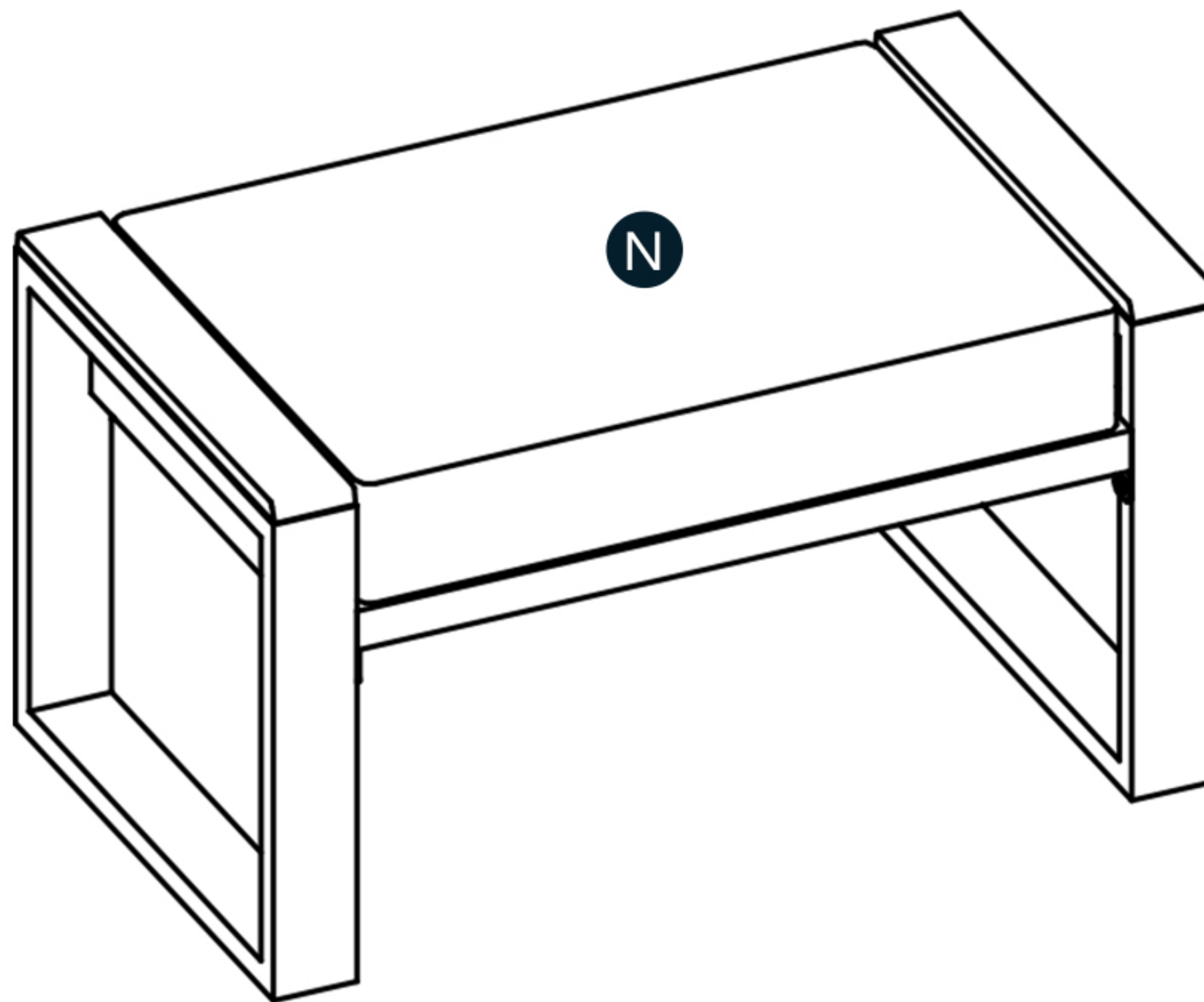
1

-Attach the Seat Plate to the Left/Right Seat Leg using Bolt M6\*32MM[S] & Bolt M6\*15MM[R] & Washer[U].

-Install the Height Adjustment Screw[Q].

-Attach the Cap[V].

U x8	V x8	Q x4	R x4
S x4	M x1	L x1	O x1



2

Put the Seat Cushion[N]

N x1
------