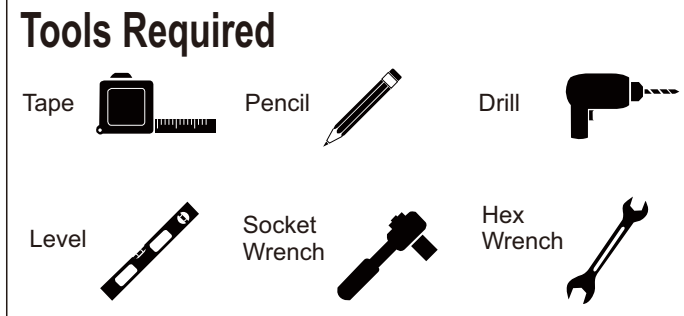
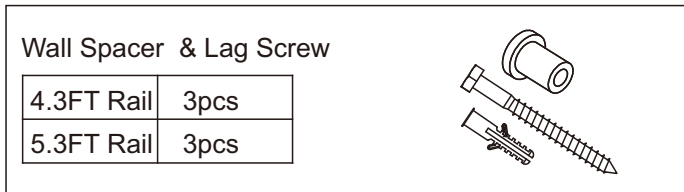
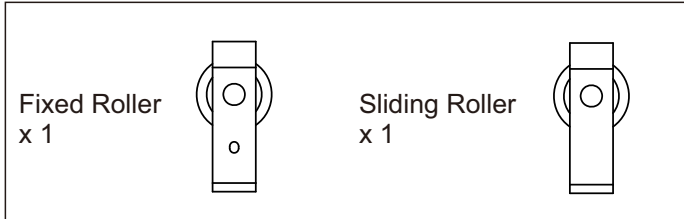
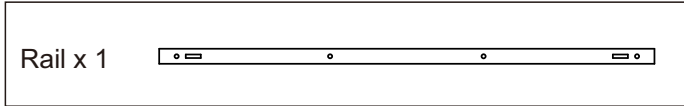


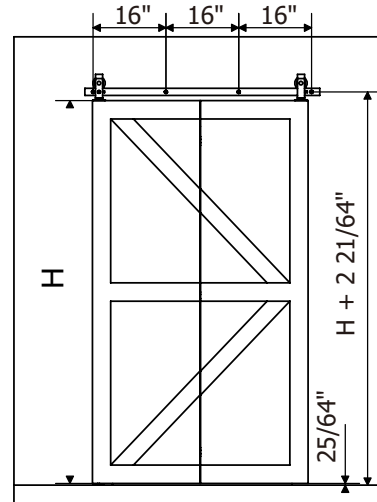
# Installation Manual

Model:BF-20Z

## Product Content

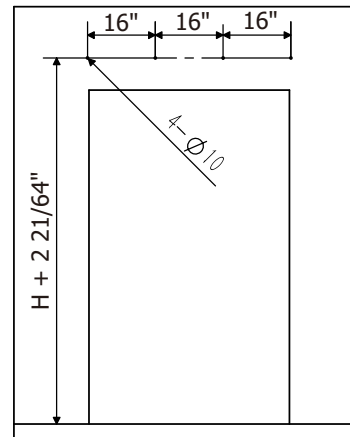


## Measurement

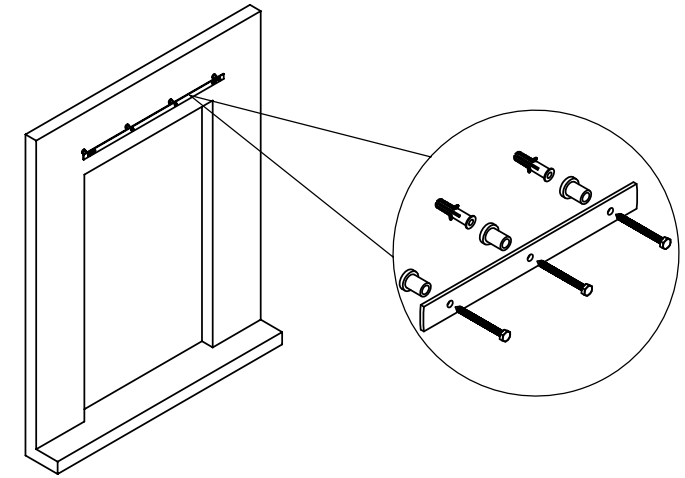


## Installation Steps

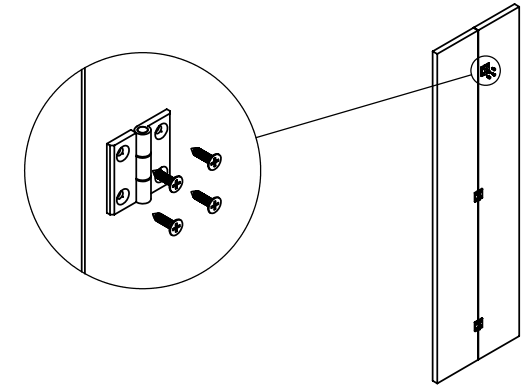
- 1.The hole c to c distance on the rail is 16"(406mm).
- 2.The gap between door and floor is 25/64"(10mm).
- 3.The position of the hole center from floor is door height  $H+(2\ 21/64")$ .



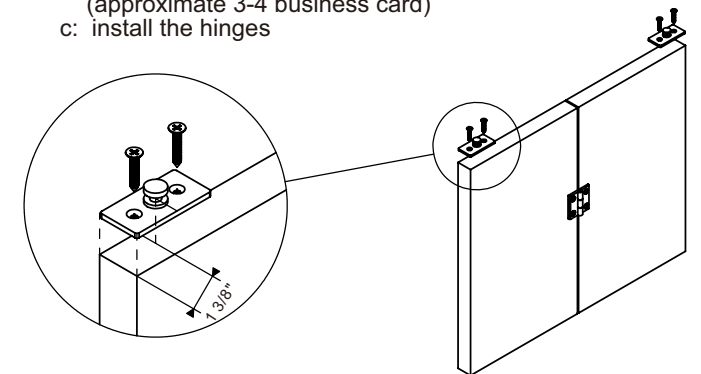
- 4.Draw a horizontal line which is  $(H+2\ 21/64")$  above the floor (H stands for door height).
- 5.Mark all the center points of the holes.
- 6.Drill the holes on the wall using 12mm drill bit. If it is a wooden wall,use 6mm drill bit.



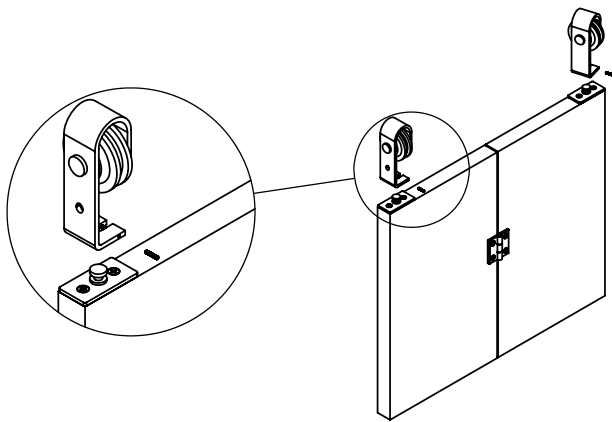
7.Install the rail onto the wall.



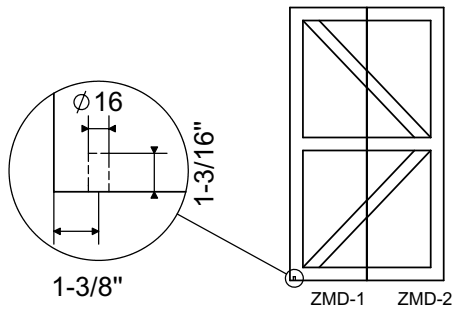
- a: Lay the doors to be jointed together face down on a flat surface.
- b: Butt the doors together with a 1/32" gap in between (approximate 3-4 business card)
- c: install the hinges



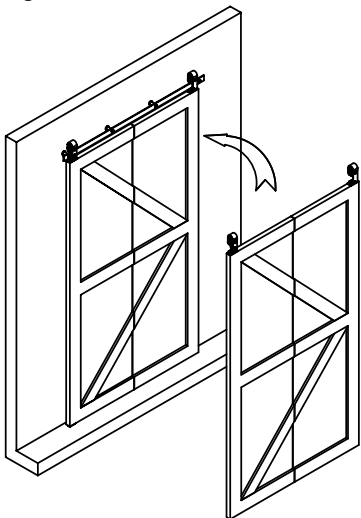
9.Install the roller shaft onto the door according to the measurement above.



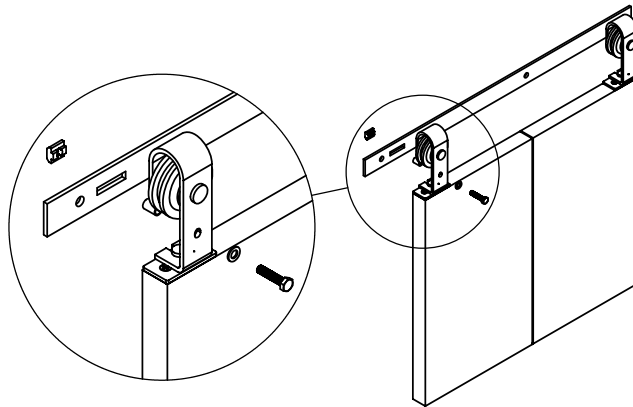
10. Fix the roller with the shaft. Pay attention that the roller with a hole should be installed on the two sides. The roller without hole should be installed on the middle.



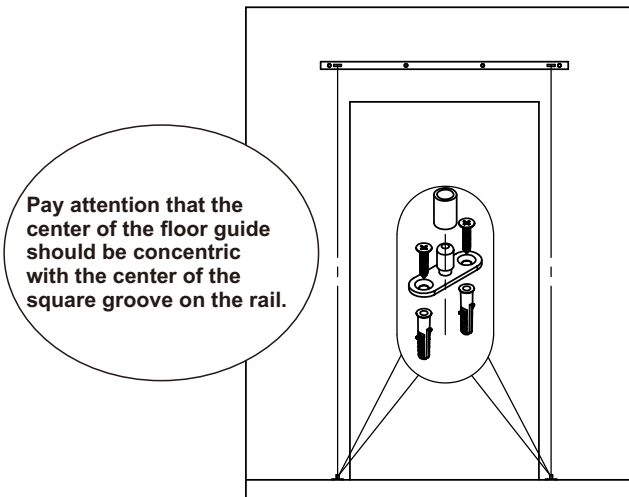
11. a: Pay attention that the sleeve needs to align with the center of the roller shaft used with the fixed roller.  
 b: Drill a hole under the door to fit for the floor guide according to the measurement above.



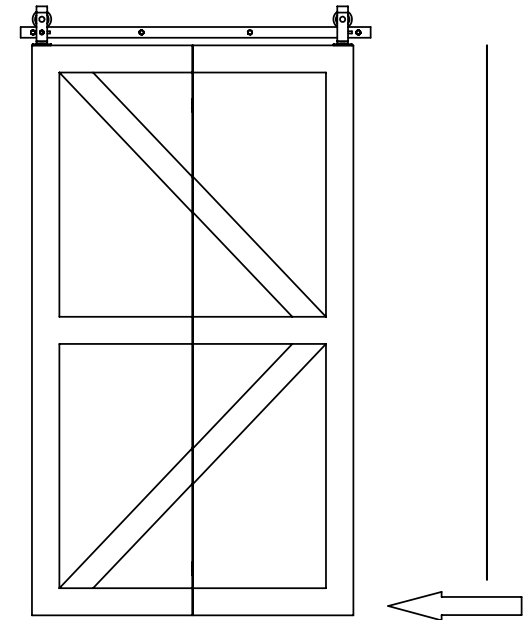
12. Hang the doors onto the rail.



13. Fix the side rollers in the square groove with the screws.



14. Install the floor guide.



15. Glue the adhesive tapes onto the side of the door.