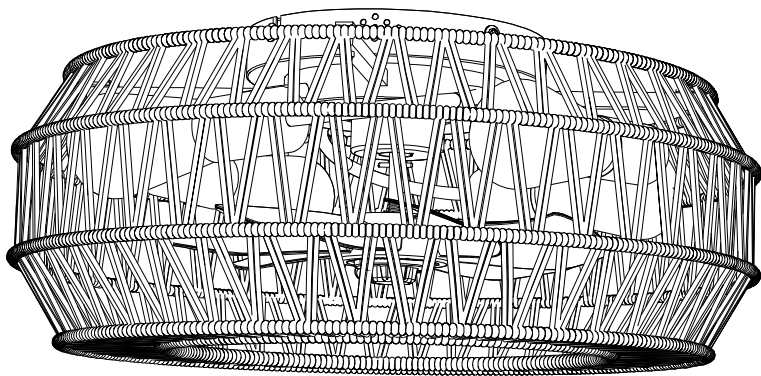


Manual Book

Ceiling Fan With Lights

Model No.: CFL-6933-01



Safety Rules

1. Be sure the power to the wires you are working on is disconnected, either the fuse is removed or the circuit breaker is turned off. Turning the power off using the light switch is not sufficient to prevent electrical shock.
2. A qualified licensed electrician is required for the installation.
3. The outlet box and support structure must be securely mounted and capable of reliably supporting a minimum of 70 pounds. Use only UL (cUL for Canadian Installation) listed mounting boxes marked "FOR FAN SUPPORT".
4. The fan must be mounted with a minimum of 7 feet clearance from the trailing edge of the blades to the floor.
5. Do not operate reversing switch while fan blades are in motion (if applicable). Fan must be turned off and blades stopped before reversing blade direction.
6. Do not place any objects in the path of the blades.
7. To avoid personal injury or damage to the fan and other items, be cautious when working around or cleaning the fan.
8. Do not use water or detergents when cleaning the fan or fan blades. A dry dust cloth or lightly dampened soft cloth will be suitable for the cleaning.
9. After marking electrical connections, spliced conductors should be turned upward and pushed carefully up into outlet box. The wires should be spread apart with the grounded conductor on one side of the outlet box.
10. Electrical diagrams are reference only, different fan light may have different light shade and bulbs.
11. Use only our replacement parts. This equipment has been tested and found to comply with the limits for a class B digital device, pursuant to part 15 of the FCC Rules. These limits are to provide reasonable protection against harmful interference in a residential installation. This equipment generates, uses and can radiate radio frequency energy and if not installed and used in accordance with the instructions may cause harmful interference to radio communications.

Warning:

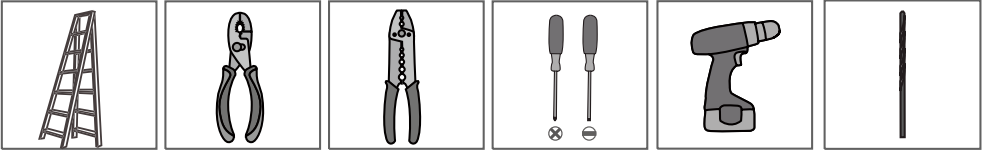
To reduce the risk of personal injury, use only the two steel screws and washers provided with the outlet box for mounting to the outlet box. Most outlet boxes commonly used for the support of lighting fixtures are not acceptable for fan support and need to be replaced, consult a qualified electrician if in doubt.

To reduce the risk of fire, electric shock or person injury, mount fan to outlet box marked "acceptable for fan support".

To reduce the risk of personal injury, do not bend the blade brackets (also referred to as flanges) during assembly or after installation. Do not insert objects in the path of the blades.

Installation Preparation

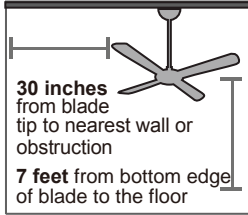
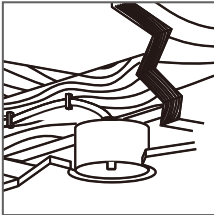
Tools You Need



- Ladder
- Pliers
- Wire Strippers
- Screwdrivers
- Power Drill (optional)
- Drill Bit (optional)

If mounting to a support structure, you will also need the optional tools.

What to Expect with Your Installation



- Must be able to secure the fan to building structure or fan-rated outlet box
- Assess location
- Check the box to see the weight of the fan
- Not applicable for angled ceiling

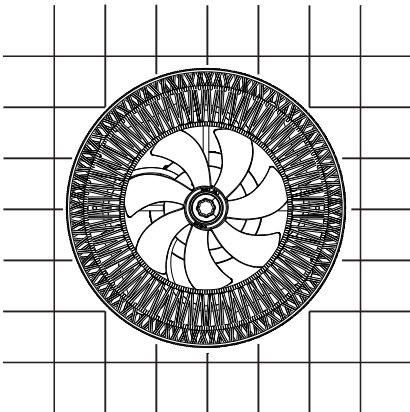
Switch Selection

Note: Using a dimmer switch to control the fan may damage the fan. To reduce the risk of fire or electrical shock, do not use a dimmer switch to control the fan. **The recommended switches are as follows:**

<p>Recommended:</p>	<p>Single Pole Switch (Not Included)</p>			
<p>Not Recommended:</p>	<p>Dimmer Switch</p>	<p>Timer Switch</p>	<p>Fan Speed Control Switch</p>	<p>Motion Sensor Switch</p>

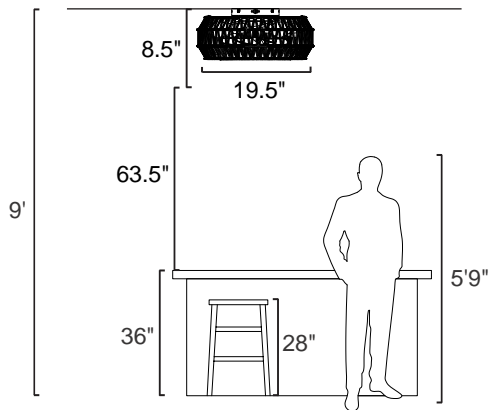
Installation Recommended

Room Size:



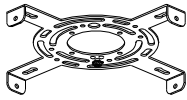
UP TO 8 ft × 10 ft

Room Height:

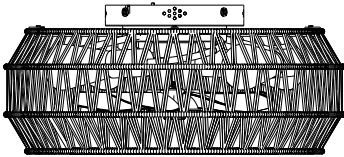


Recommended ceiling height: 7 to 10 ft.


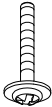
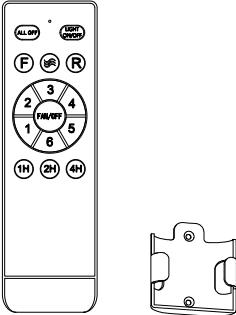






Packing List



A Mounting Bracket x1



B Fan Body x1

<p>AA 3x</p>  <p>Wire Nut</p>	<p>BB 2x</p>  <p>Outlet Box Screw</p>	 <p>Remote Control and Holder</p>	
<p>CC 4x</p>  <p>Plastic Anchor</p>	<p>DD 4x</p>  <p>Wood Screw</p>		
<p>EE 1x</p>  <p>"S" Hook</p>	<p>FF 1x</p>  <p>Gloves</p>	 <p>Anchor x2</p>	 <p>Screw x2</p>

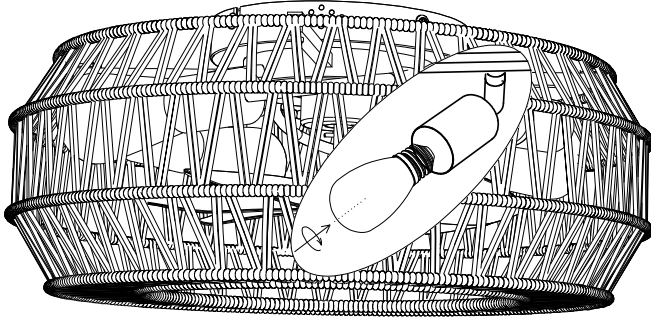
NOTE:

The listed quantity is for installation, extra hardware may be included.

Installation Instructions

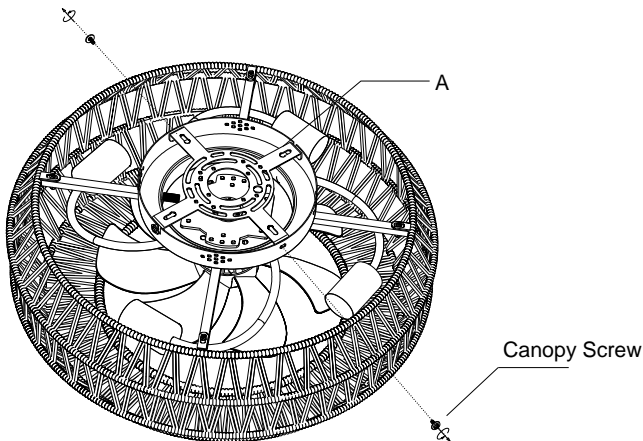
1. Install Light Bulbs

Install light bulbs. (E26x4pcs, max 60W each, not included)



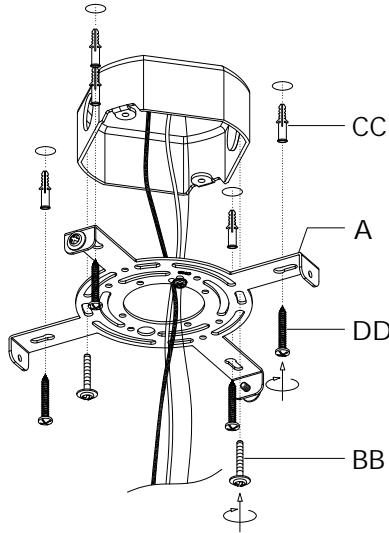
2. Install the Mounting Bracket

Step 1: Loosen and remove the canopy screws from the round holes, and loosen the canopy screws in the 'L' holes but do not remove them, and then remove the mounting bracket (A) from the canopy.



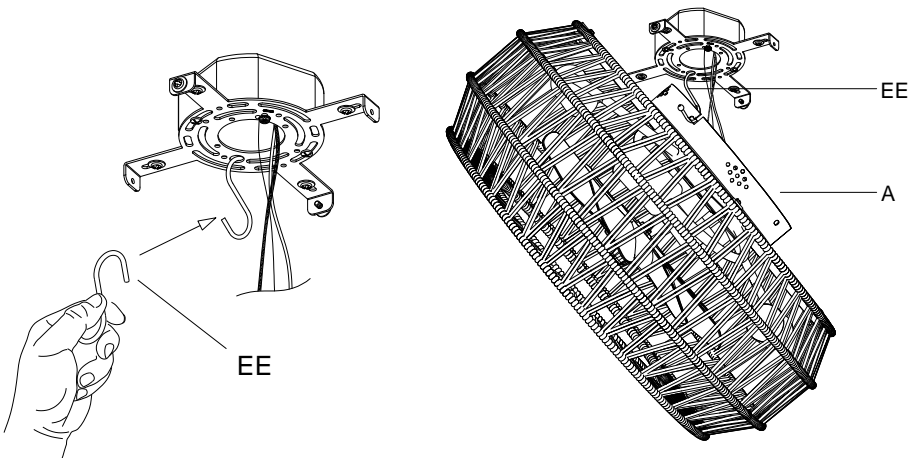
Step 2: Mark and drill screw holes in the ceiling, then insert the plastic anchors (CC).

Step 3: Fix the mounting bracket (A) to the outlet box using outlet box screws (BB) , and then tighten it with wood screws (DD).



3. Hang the Fan

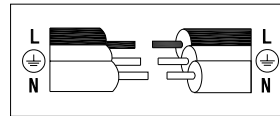
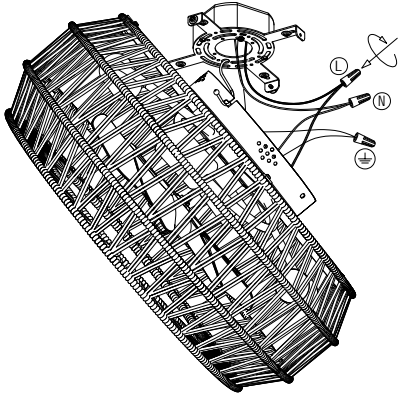
Hang the fan onto the mounting bracket (A) with "S" hook (EE) provided.



4. Connect the Wires

Step 1: Connect the wires from the fan to the house supply wires with wire nuts (AA), ground wire (green, green/yellow, or bare copper) to ground wire, neutral wire (white) to neutral wire, and hot wire (black) to hot wire.

Step 2: Wrap the connection with electrical tape.

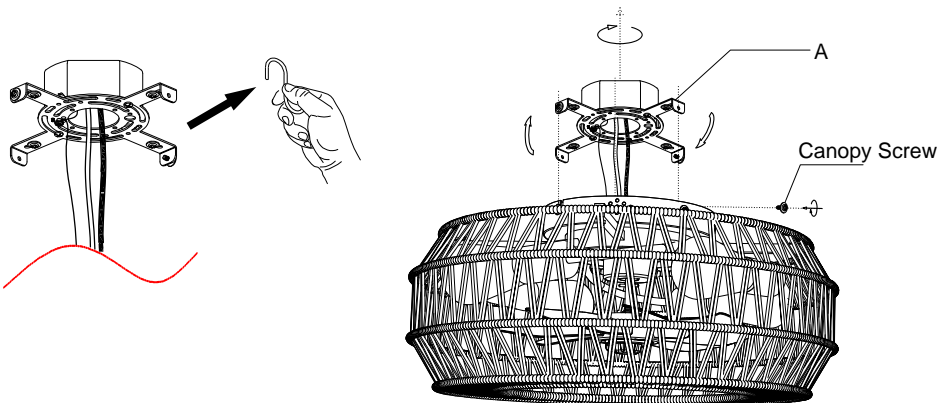


5. Attach the Canopy

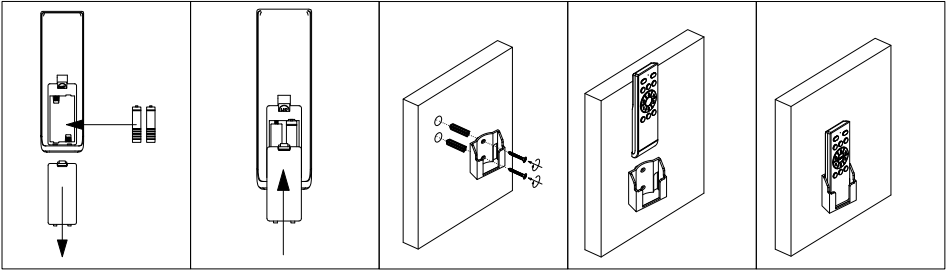
Step 1: Take away the "S" hook (EE).

Step 2: Align the "L" slots from the canopy to the canopy screws on the mounting bracket (A), rotate the canopy to lock it onto the mounting bracket.

Step 3: Tighten the canopy screws



6. Install the Remote Holder



Step 1: Insert 2 batteries before using: AAA 1.5V battery x 2pcs (not included).

Step 2: Mark and drill screw holes in the wall, then insert the remote holder anchors.

Step 3: Use remote holder screws to fix the remote holder onto the wall.

Remote Control Instructions

		Turn off the fan and lights.
		Turn on/off the lights.
		Natural wind, fan speed will change automatically.
		"F" refers the fan rotates forward.
		"R" refers the fan rotates in reverse.
		1/2/3/4/5/6 for fan speeds.
		Turn off the fan.
		1H/2H/4H for timing the fan.
		REMOTE SIGNAL PAIRING: If the remote control loses signal with the fan, turn off the power from wall switch, then turn it on, immediately press and hold this button for around 3 seconds, after the fixture beeps or flashes, it's done.
	<p>NOTE: Please insert 2 batteries before using. AAA 1.5V battery x 2pcs (not included).</p>	

Trouble Shooting

1. Fan doesn't work

- Make sure the fixture is connected to an ON/OFF wall switch, not a dimmer switch.
- Check the remote control battery (not included in this package).
- Check the circuit breaker to ensure the power is on.
- Turn off power from the circuit breaker, then loosen the canopy and check all the connections according to the wiring diagram.

2. Lights Do Not Light Up / Flicker / Noisy Operation

- Make sure the fixture is connected to an ON/OFF wall switch, not a dimmer switch.
- Check your power and switch to make sure it's powered on.

3. Noisy Operation

- Re-tighten all screws on the bracket, and fan blades (do not over tighten).
- Check to see if any of the blades are cracked. If so, replace all of the blades.

4. Remote does not work

- Make sure the battery is installed correctly.
- Pair the remote control again. (See "Remote Control Instructions")
- Install 2 new batteries.

Clean And Care

To clean, wipe the fixture with a soft cloth. Spraying from chemical cleaners can discolor the finish of the fixture. Do not use scouring pads, powders, steel wool, or abrasive paper to clean this fixture.

Ordering Parts

Keep this manual for future reference, and in case replacement parts are needed. Available parts can be ordered from the place of purchase. Use exact wording from diagrams when ordering parts.