

Fabric Dresser



Assembly Instruction

- 1、 Check out our Youtube channel [for step-by-step installation video.](#)
- 2、 Please organize all pieces so that you can follow the instruction for smooth assembly.
- 3、 During the assembly, it is suggested that you make sure all the screws in the right position before finally tightening them.
- 4、 Note to self, don't be so excited and slow down and read the instructions step by step.
- 5、 Clear up enough space for the installation and remove any obstacles in the way.
- 6、 The product could be assembled by one person, but would recommend two.

1-Year Warranty

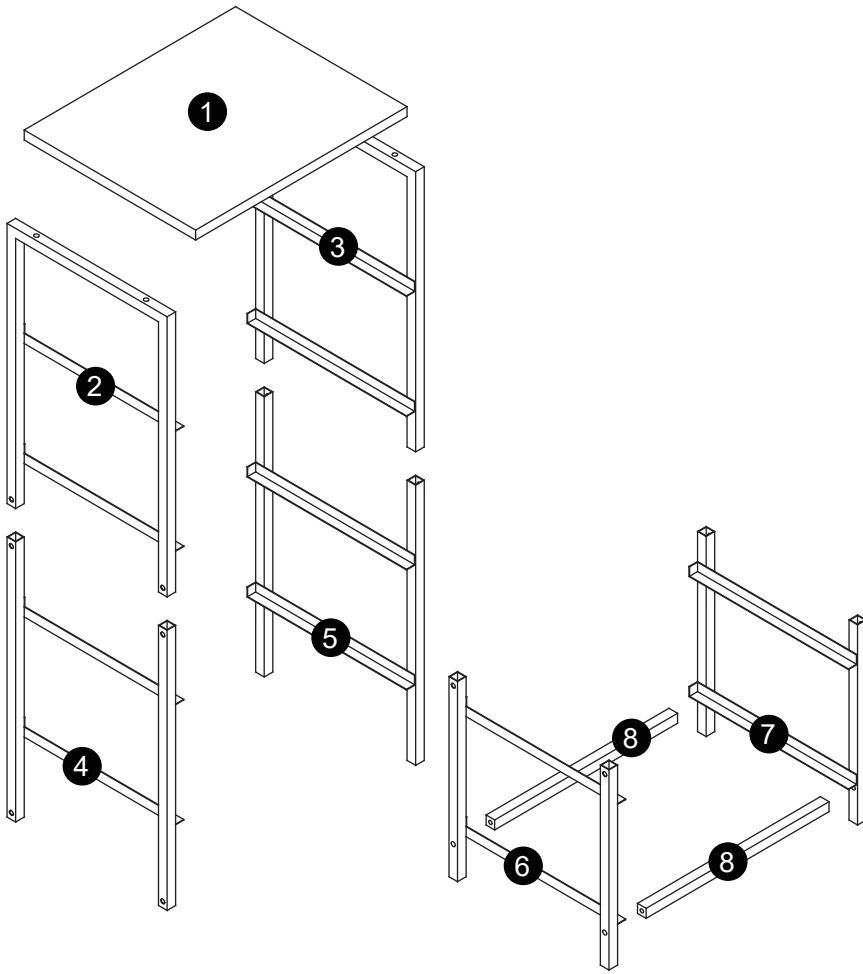
We offer 1-year warranty starting from the purchase date during normal use.

More Efficient Response

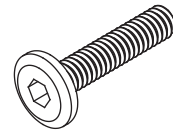
To make us understand the exact problem and solve the problem more effectively, it would be better if you can send us the order ID and attach the pictures or videos illustrating the problems

TURN THE PAGE FOR ASSEMBLY MANUAL →

ASSEMBLY INSTRUCTION



Ax8



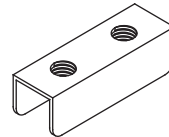
M6x25mm

Bx16

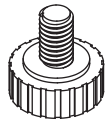


M6x10mm

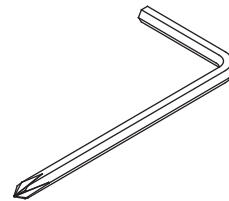
Cx8



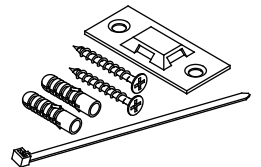
Dx4



Ex1



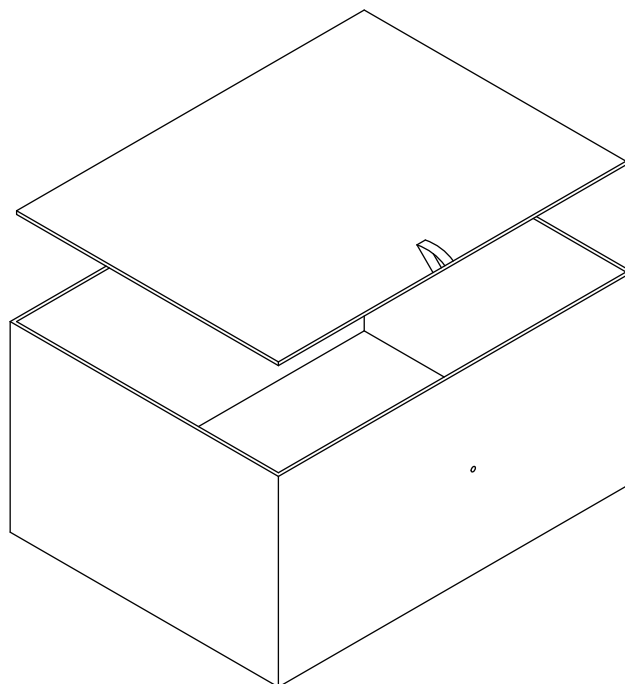
Fx1



Drawer

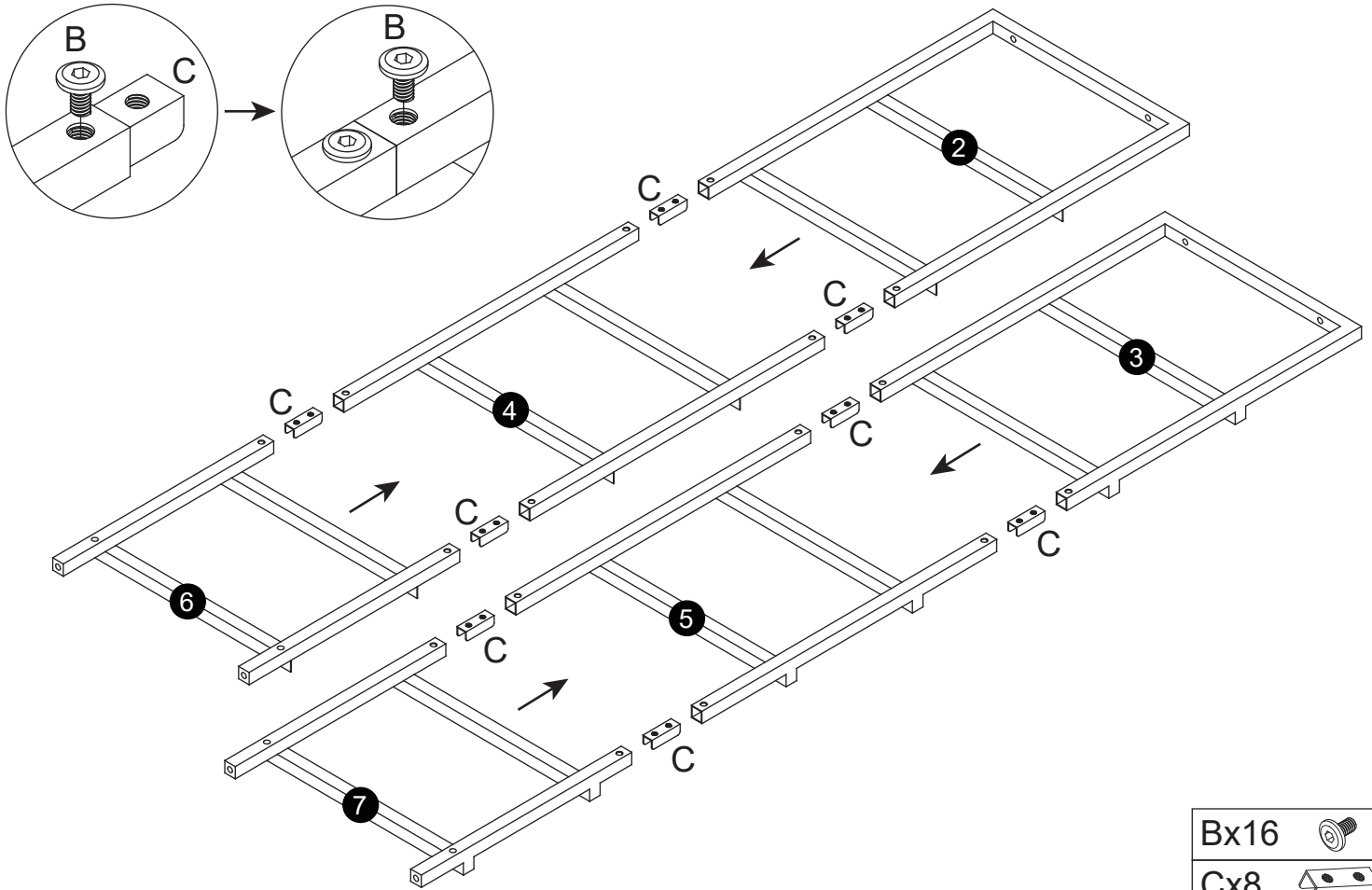
Quantity

6

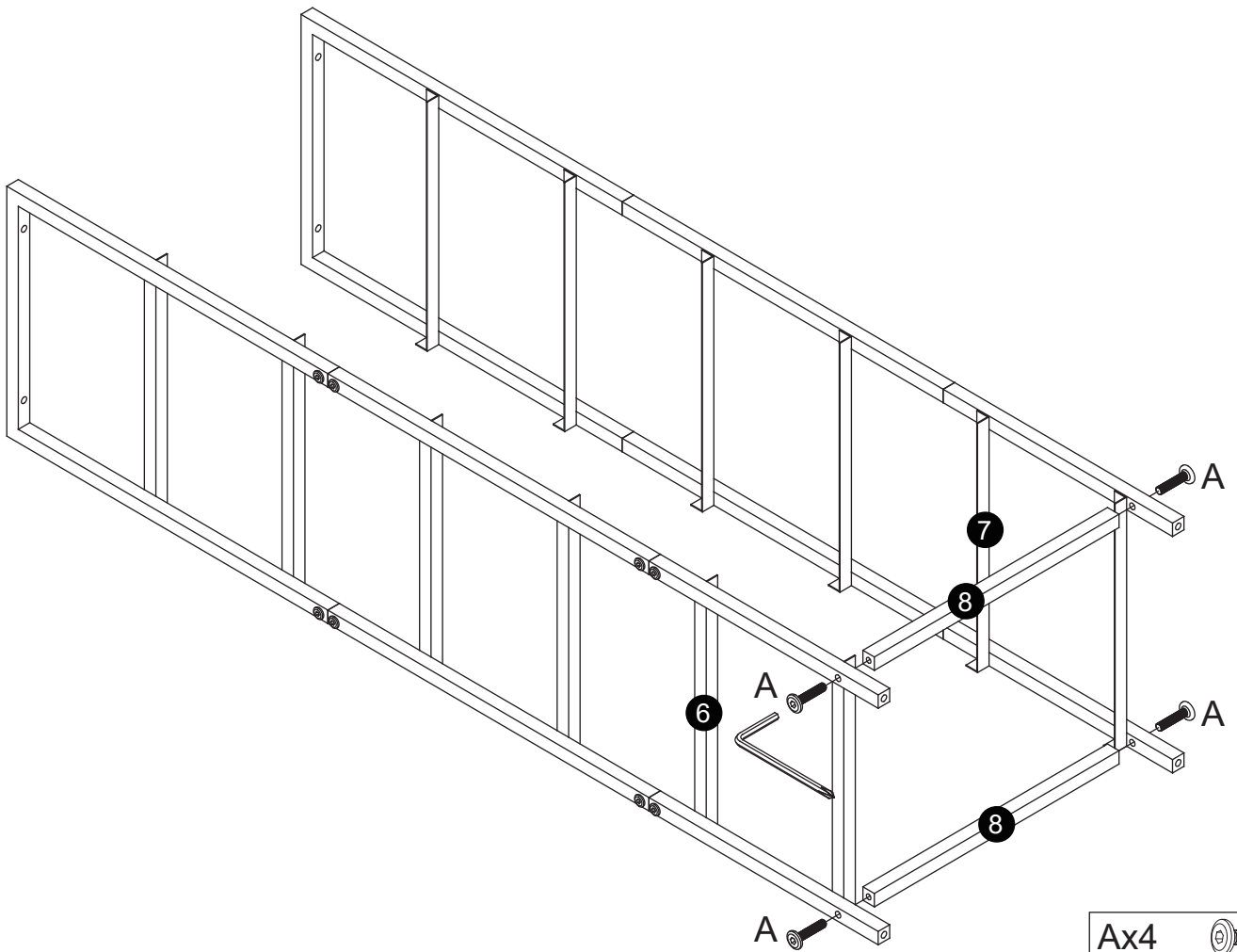


ASSEMBLY INSTRUCTION

STEP 1

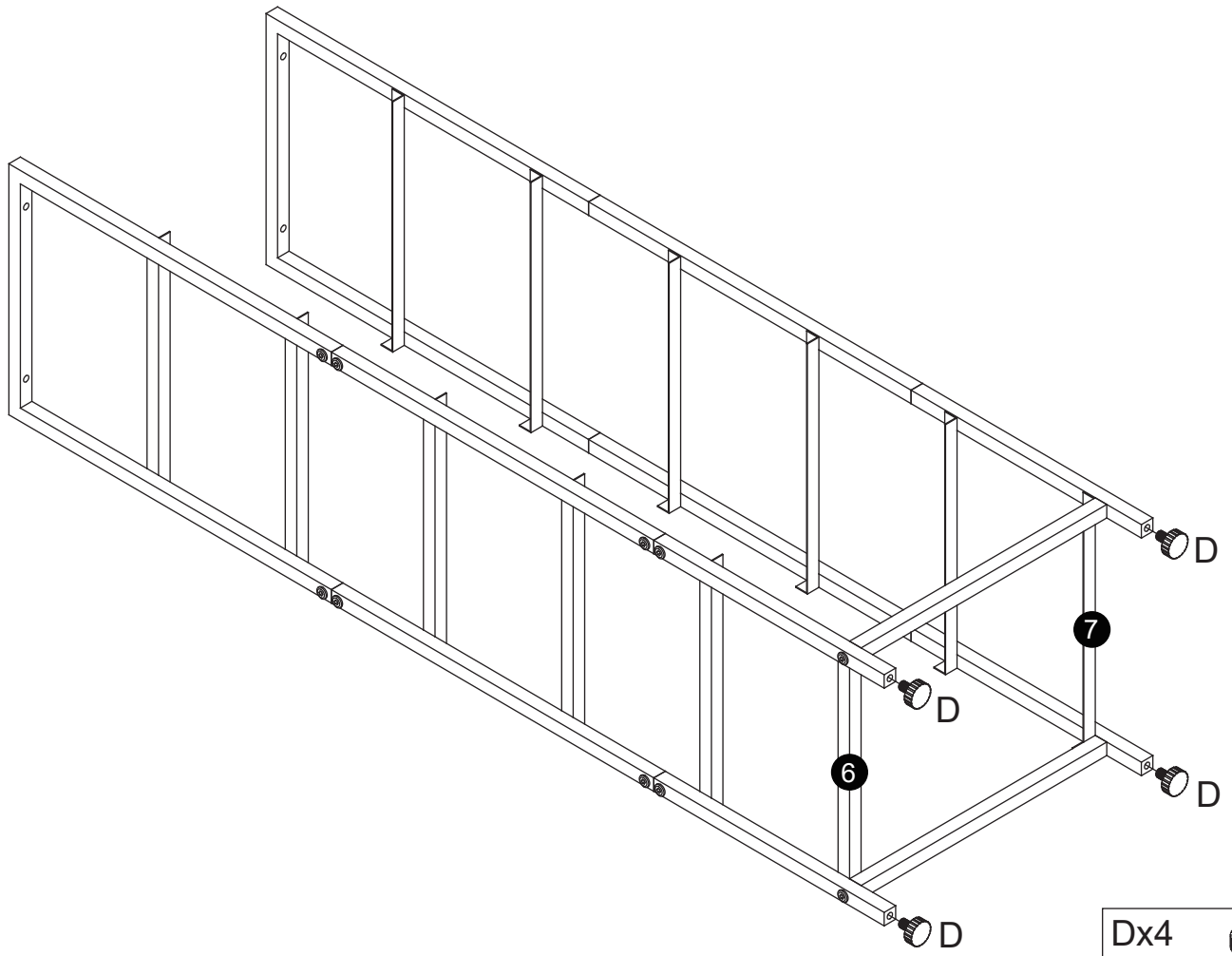


STEP 2



ASSEMBLY INSTRUCTION

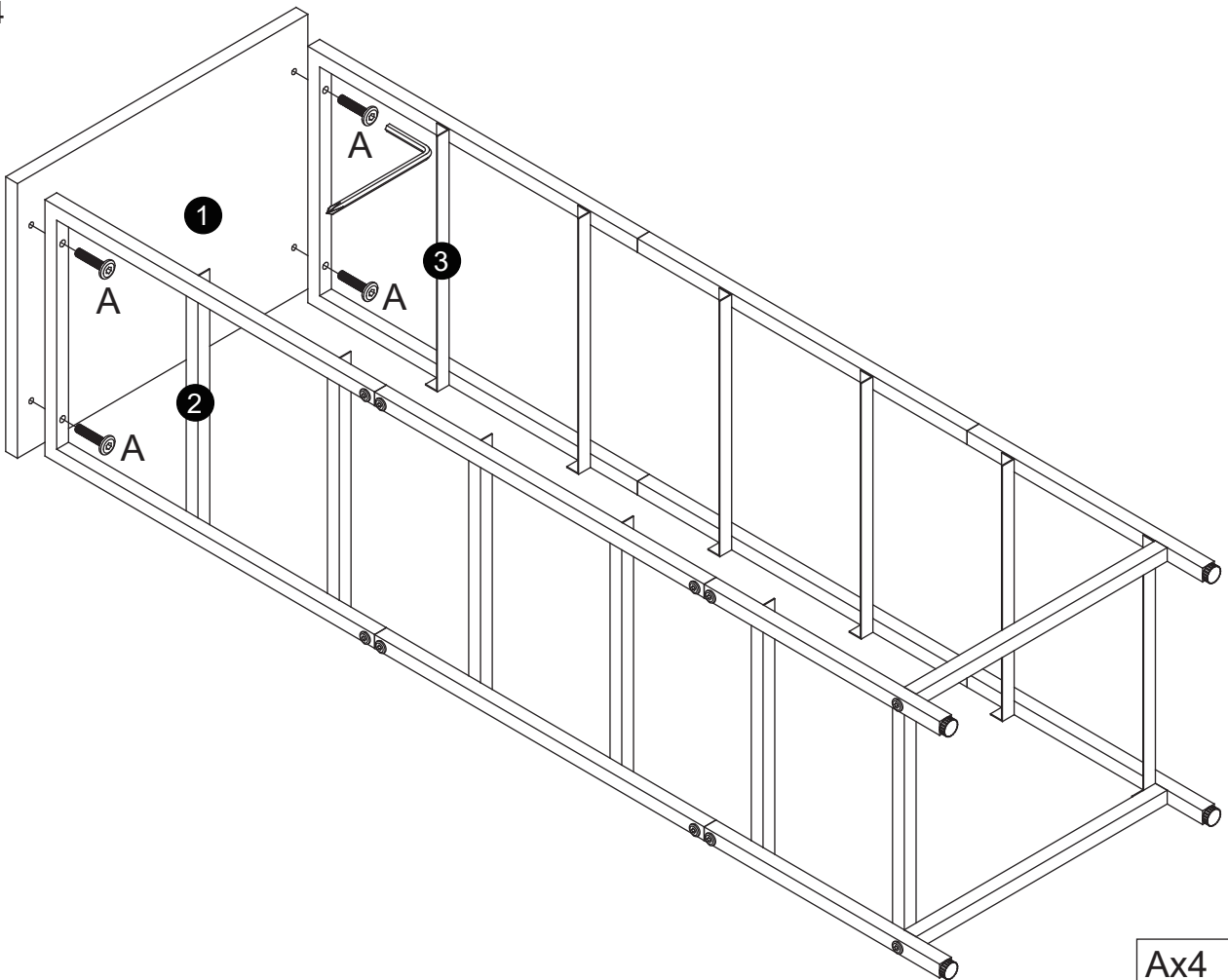
STEP 3



Dx4



STEP 4



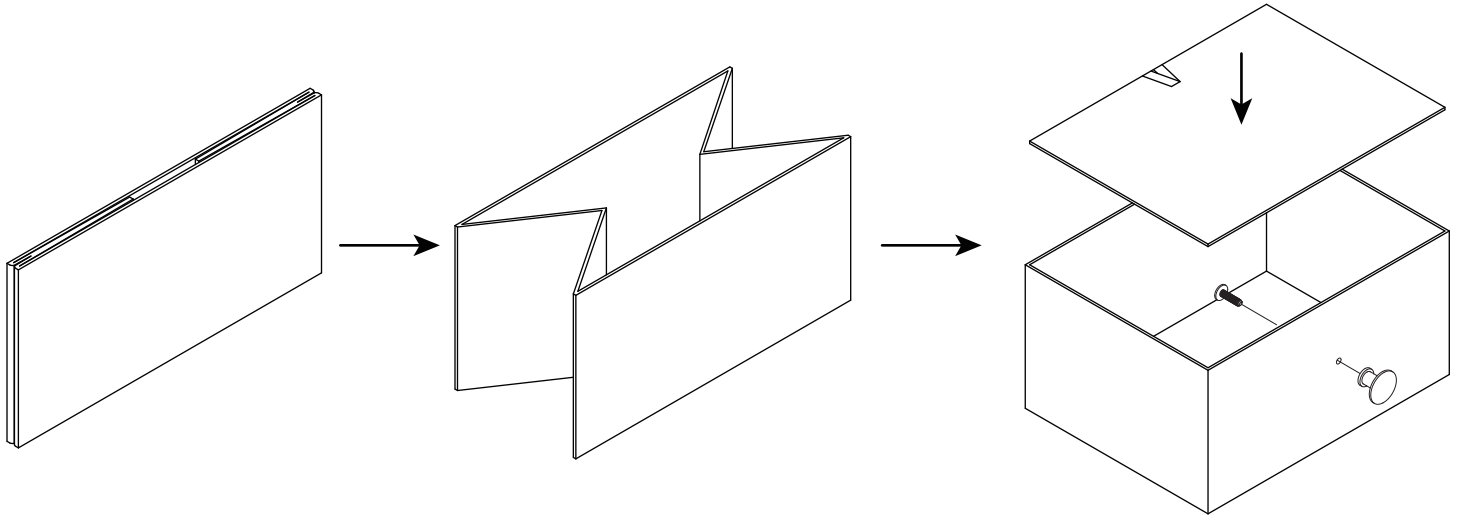
Ax4



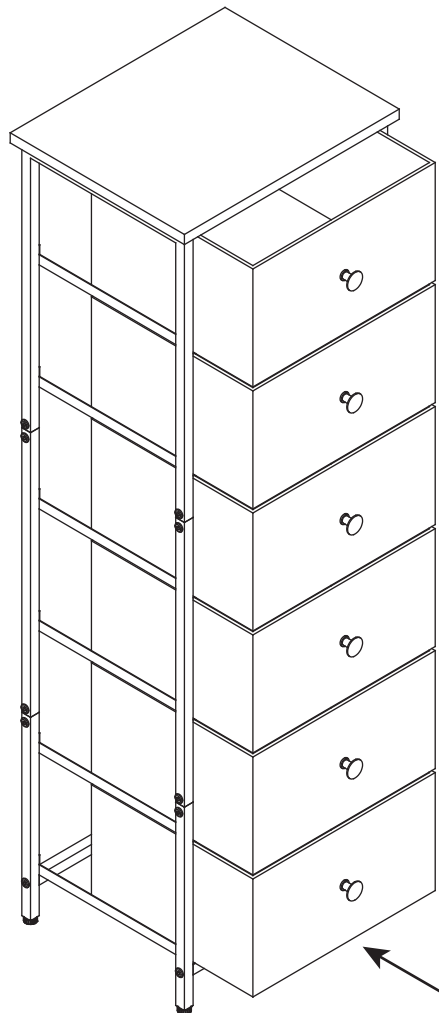
ASSEMBLY INSTRUCTION

STEP 5 There are 6 drawers that need to be installed.

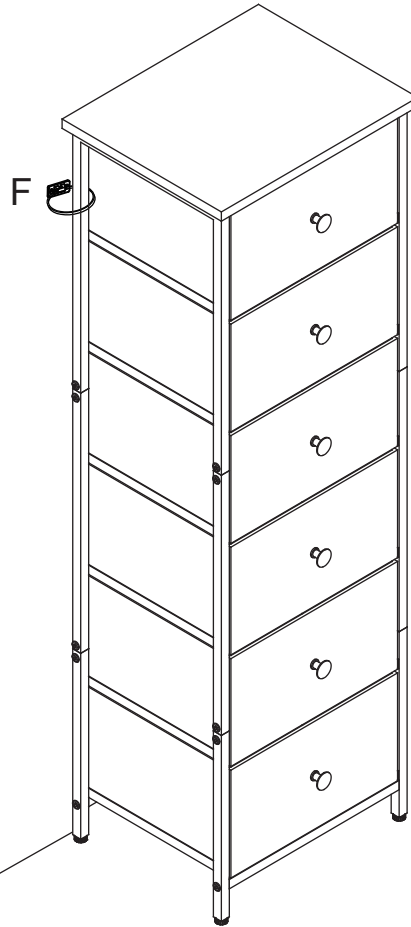
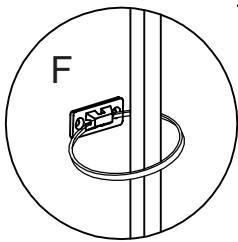
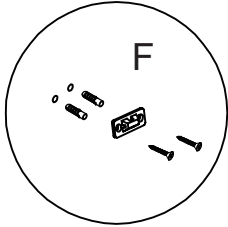
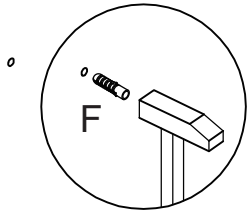
1. Unfold the fabric drawer.
2. Install the compatible base plate.
3. Screw on the handle.



STEP 6



STEP 7



Fx1 

STEP 8

