

ASSEMBLY INSTRUCTIONS



Fine Furniture for every stage of life

(B1&B2)
Queen Bed

ASSEMBLY INSTRUCTIONS

ASSEMBLY TIPS:

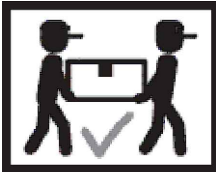
1. Remove hardware from box and sort by size.
2. Please check to see that all hardware and parts are present prior to start of assembly.
3. Please follow attached instructions in the same sequence as numbered to assure fast & easy assembly.



WARNING!

HARDWARE IDENTIFICATION

1. Don't attempt to repair or modify parts that are broken or defective. Please contact the store immediately.
2. This product is for home use only and not intended for commercial establishments



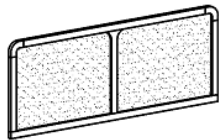
ASSEMBLY TIME

20 MINUTES

PART IDENTIFICATION

B1 (BOX 1)

A HEADBOARD PANEL



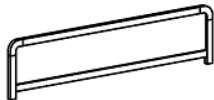
1PC

D BED SLAT



4PCS

B FOOTBOARD



1PC

E BED SLAT SUPPORT WITH LEVELER



4PCS

C HEADBOARD LEG



2PCS

B2 (BOX 2)

F BED RAIL



2PCS

NOTE:

Phillips head screw driver is required in the assembly process; however, manufacturer does not provided this item.

ASSEMBLY INSTRUCTIONS

ASSEMBLY TIPS:

1. Remove hardware from box and sort by size.
2. Please check to see that all hardware and parts are present prior to start of assembly.
3. Please follow attached instructions in the same sequence as numbered to assure fast & easy assembly.














WARNING!

HARDWARE IDENTIFICATION

1. Don't attempt to repair or modify parts that are broken or defective. Please contact the store immediately.
2. This product is for home use only and not intended for commercial establishments

HARDWARE IDENTIFICATION

Z-B1 (BOX 1) - HARDWARE PACK IS LOCATED IN (B1)

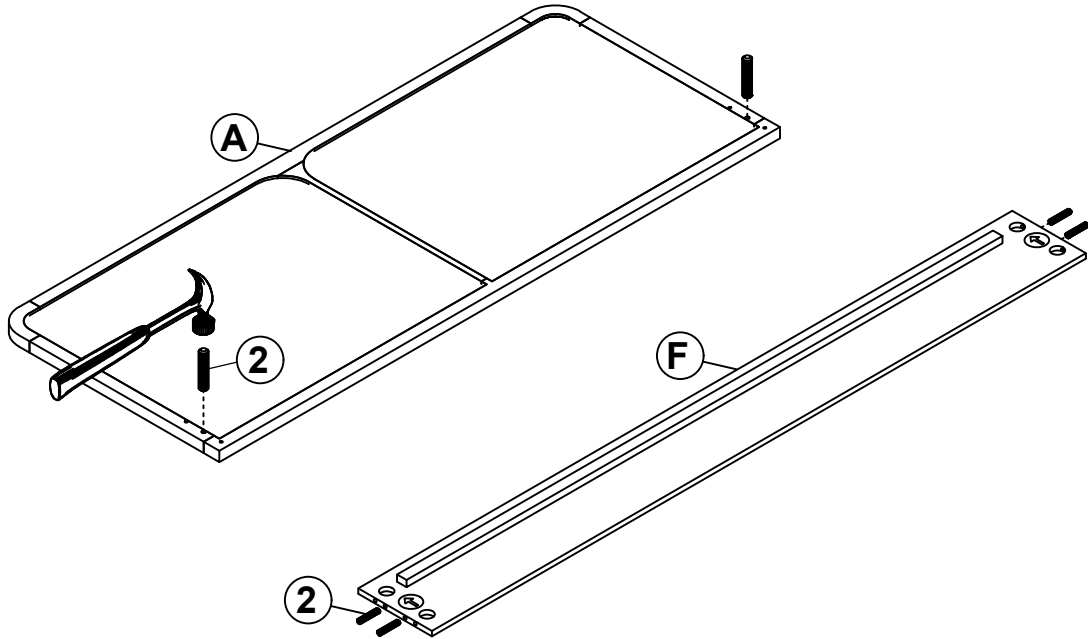
1	BOLT (M6 x 50mm - BLK)		4PCS	7	FLAT HEAD SCREW (M4 x 25mm)		8PCS
2	WOOD DOWEL (M10Ø x 40mm)		10PCS	8	SMALL ALLEN WRENCH (M4 x 100mm - BLK)		1PC
3	THREADED BOLT (M6 x 60mm)		8PCS	9	FLAT WASHER (1/4" x 19 Ø)		4PCS
4	HEX NUT (M6)		8PCS	10	LOCK WASHER (1/4" x 12 Ø)		4PCS
5	HALF ROUND NUT (Ø7.5mm)		8PCS	11	WRENCH (M6 x 10mm)		1PC
6	U-SQUARE WASHER		8PCS				

NOTE:

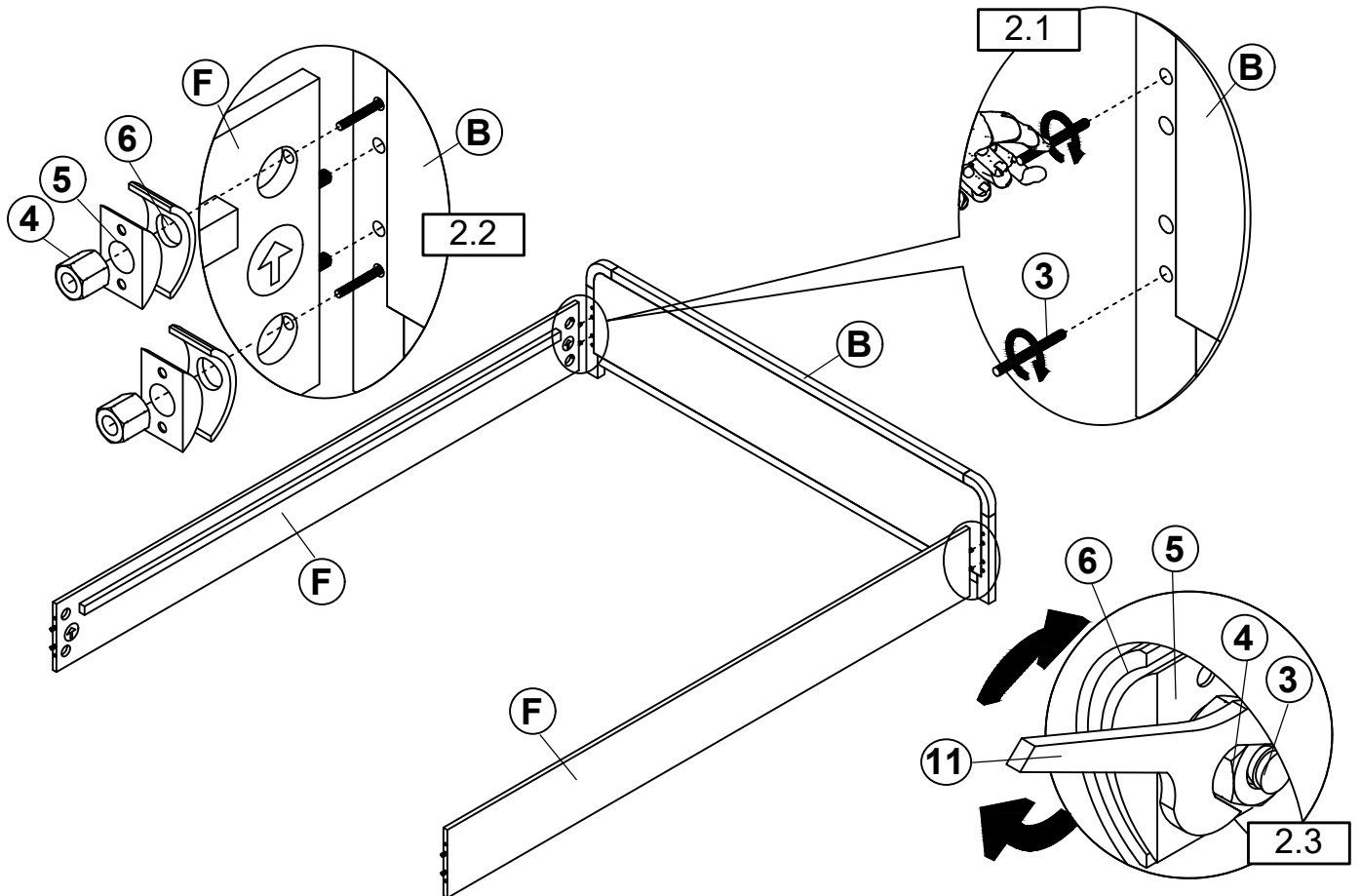
Phillips head screw driver is required in the assembly process; however, manufacturer does not provided this item.

ASSEMBLY INSTRUCTIONS

STEP 1

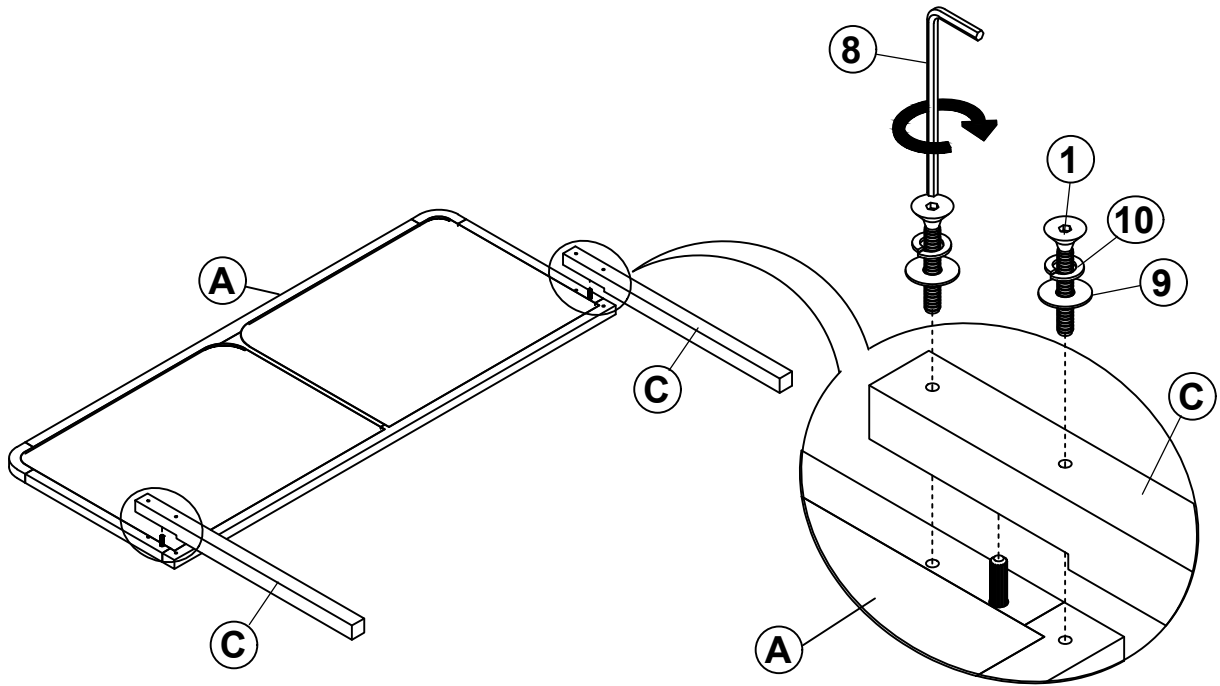


STEP 2

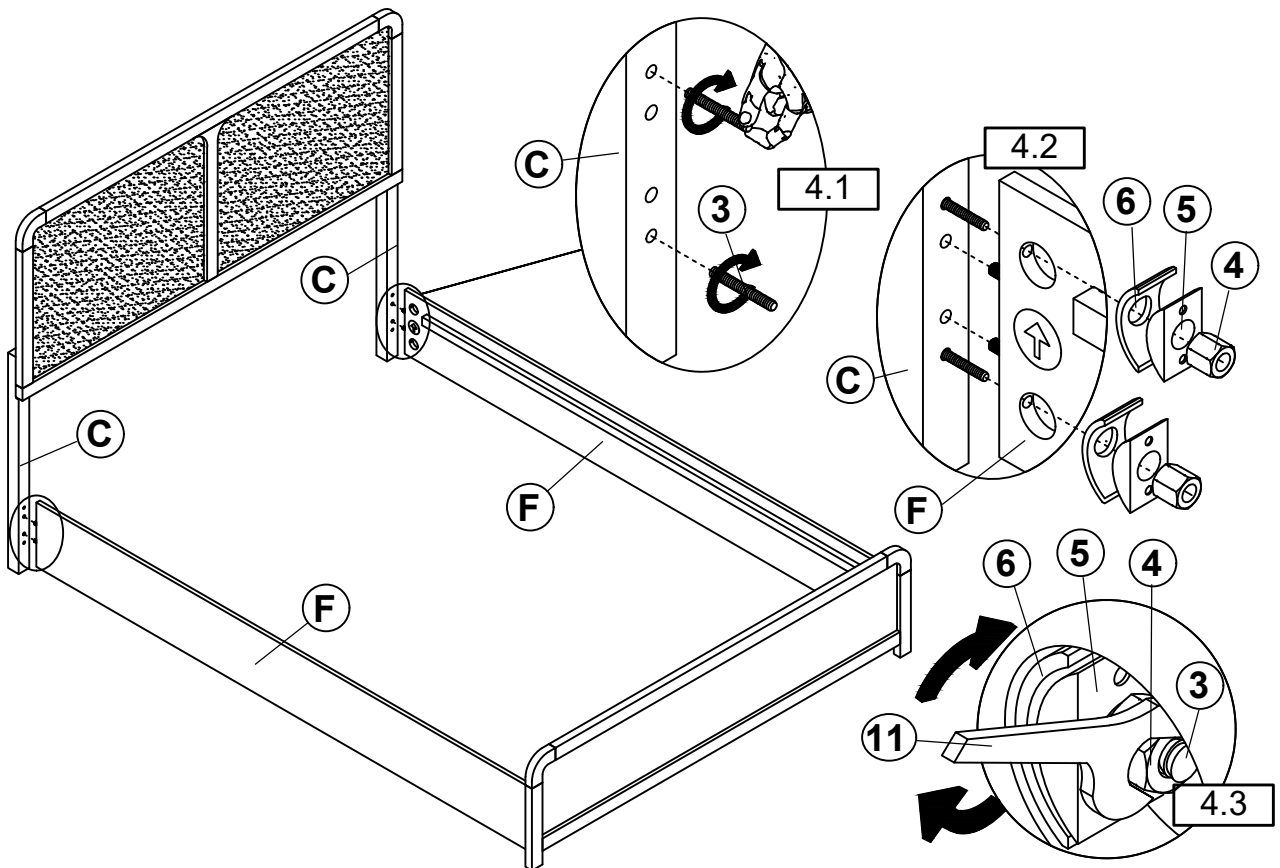


ASSEMBLY INSTRUCTIONS

STEP 3

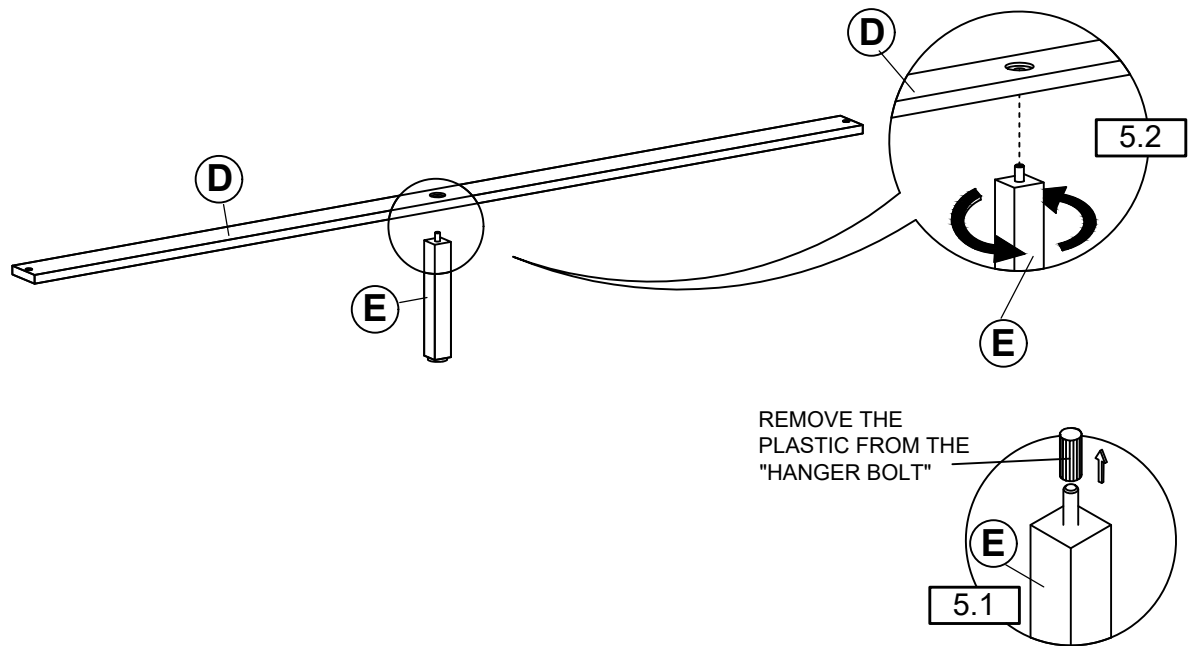


STEP 4

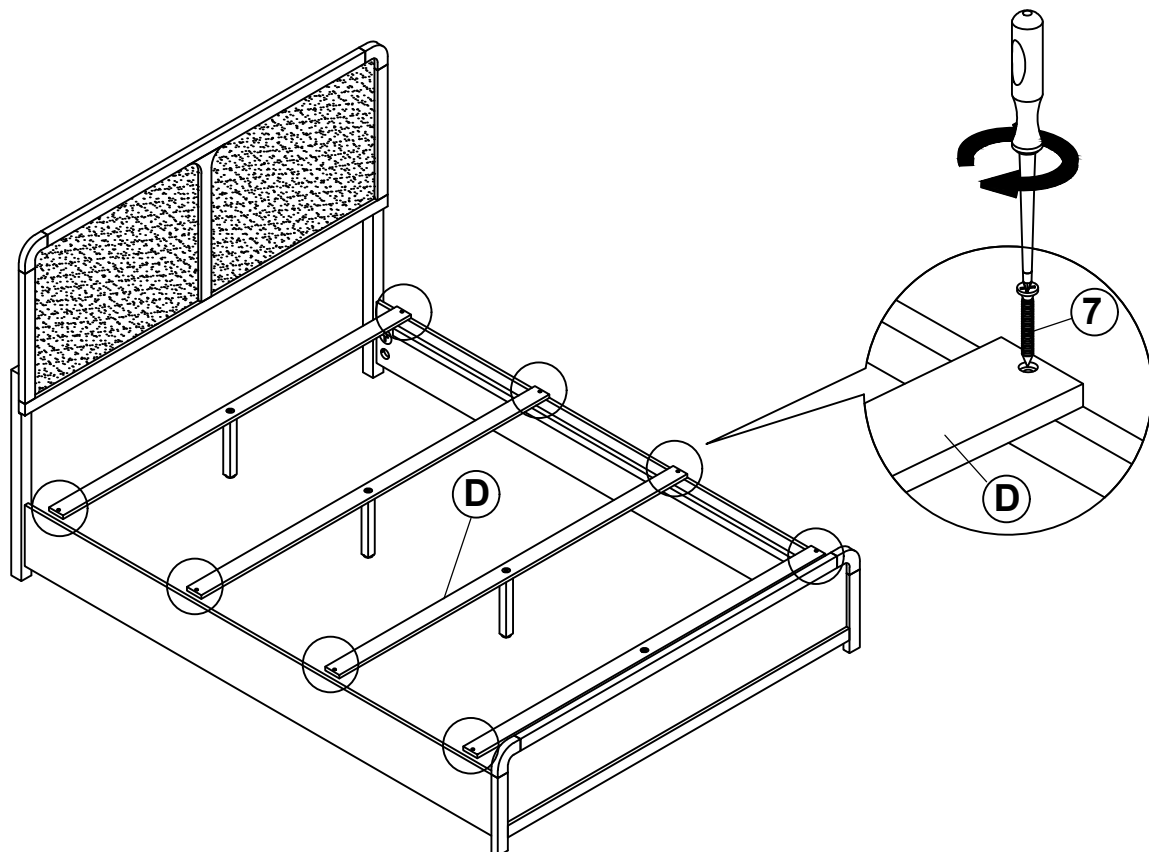


ASSEMBLY INSTRUCTIONS

STEP 5



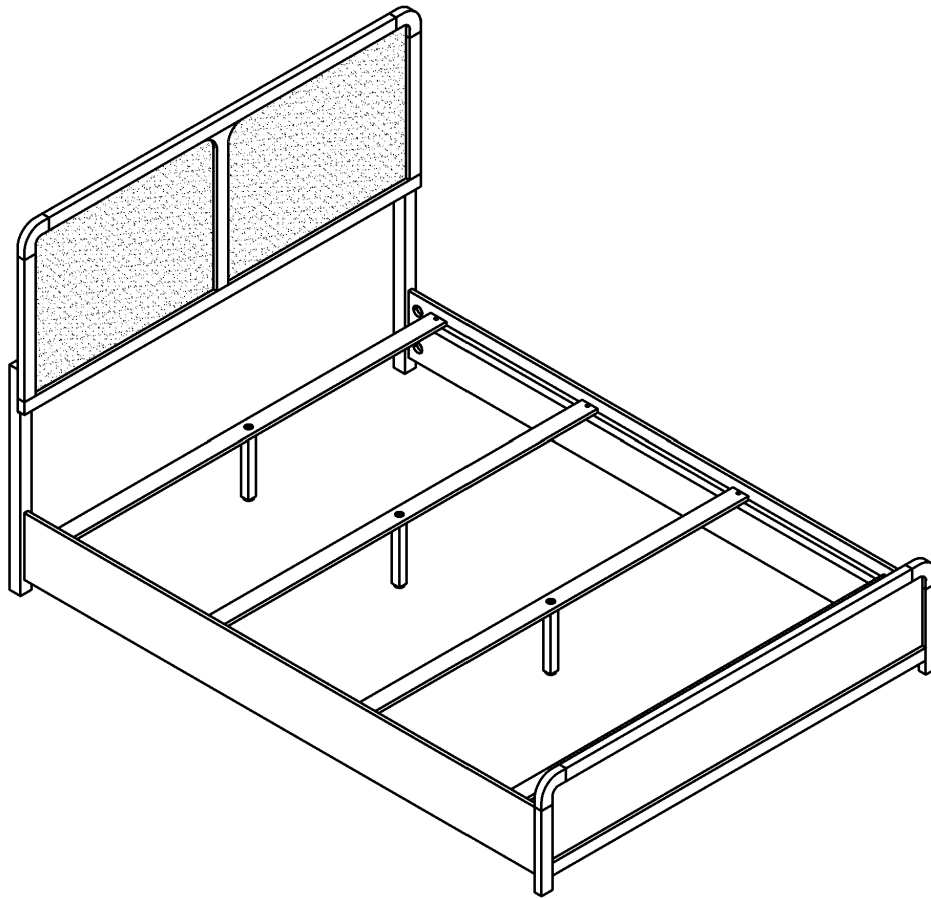
STEP 6



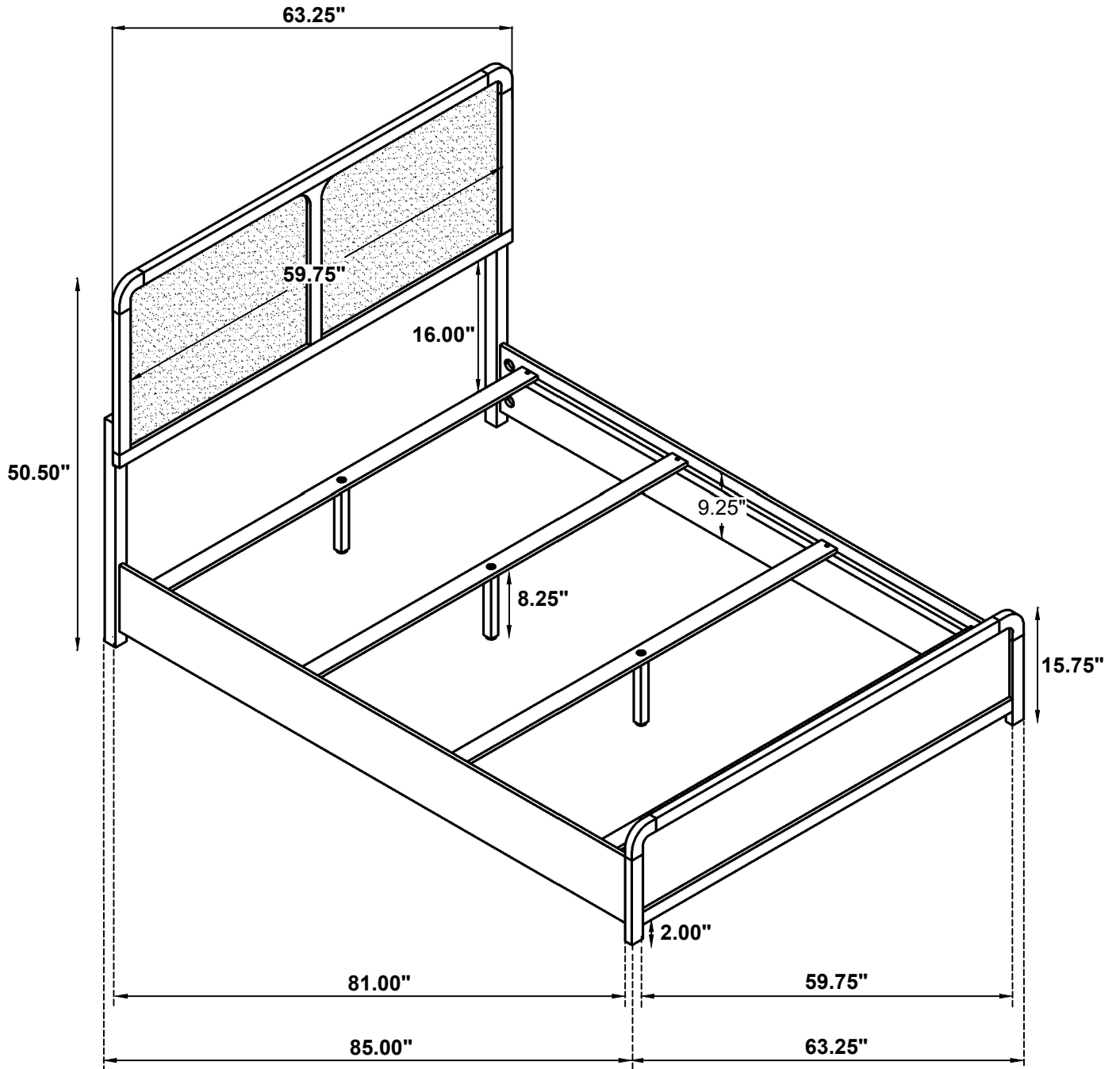
ASSEMBLY INSTRUCTIONS

STEP 7

COMPLETE



Inner size: 60.75"W X 82.00"D



Note : Dimension tolerance $\pm 5\%$

ASSEMBLY INSTRUCTIONS



Fine Furniture for every stage of life

Nightstand

ASSEMBLY INSTRUCTIONS

ASSEMBLY TIPS:

1. Remove hardware from box and sort by size.
2. Please check to see that all hardware and parts are present prior to start of assembly.
3. Please follow attached instructions in the same sequence as numbered to assure fast & easy assembly.



WARNING!

1. Don't attempt to repair or modify parts that are broken or defective. Please contact the store immediately.
2. This product is for home use only and not intended for commercial establishments.



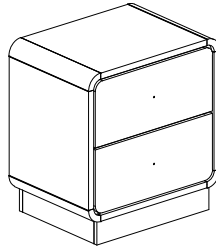
ASSEMBLY TIME

10 MINUTES

PARTS IDENTIFICATION

A

NIGHTSTAND



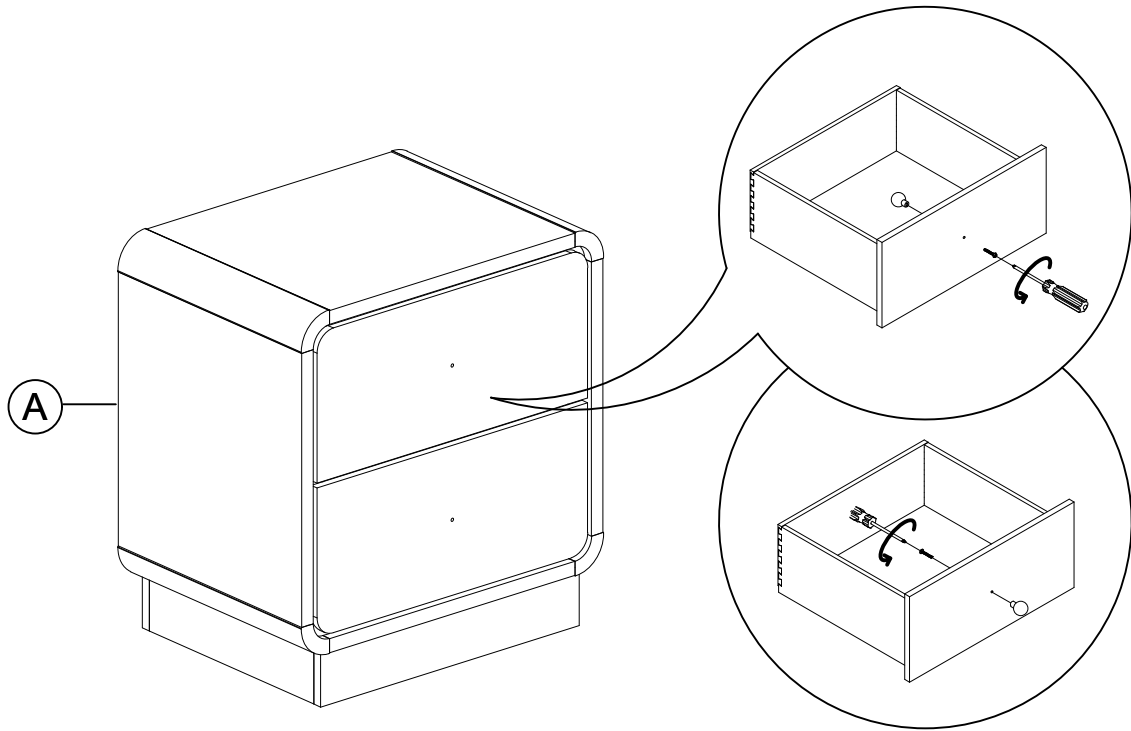
1PC

NOTE:

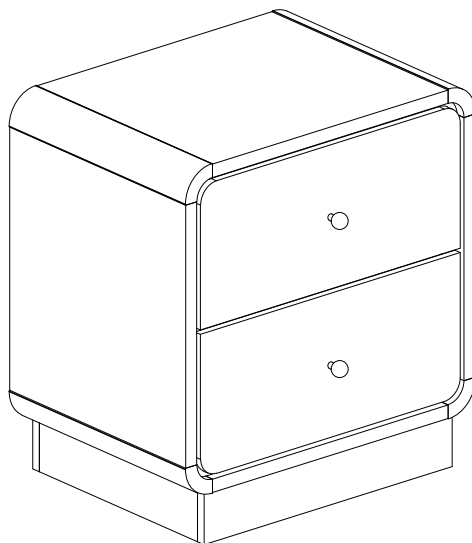
Phillips head screw driver is required in the assembly process; however, manufacturer does not provided this item.

ASSEMBLY INSTRUCTIONS

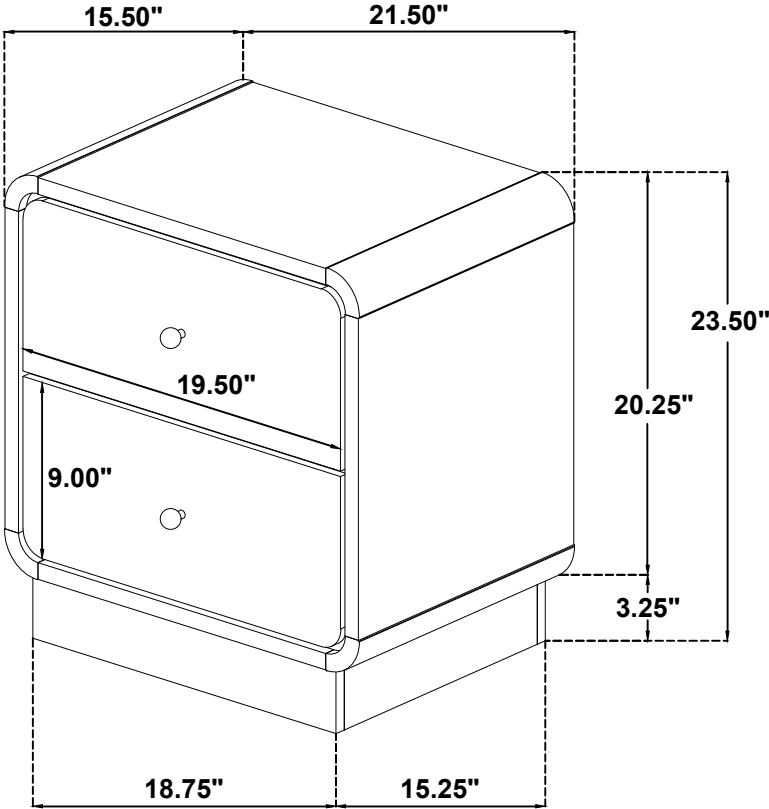
STEP 1



STEP 2 COMPLETE



Inner Size of Drawer : 15.75"W X 12.25"D X 5.00"H X 0.50"T



Note : Dimension tolerance $\pm 5\%$

ASSEMBLY INSTRUCTIONS



Fine Furniture for every stage of life

Dresser

ASSEMBLY INSTRUCTIONS

ASSEMBLY TIPS:

1. Remove hardware from box and sort by size.
2. Please check to see that all hardware and parts are present prior to start of assembly.
3. Please follow attached instructions in the same sequence as numbered to assure fast & easy assembly.



WARNING!

1. Don't attempt to repair or modify parts that are broken or defective. Please contact the store immediately.
2. This product is for home use only and not intended for commercial establishments.



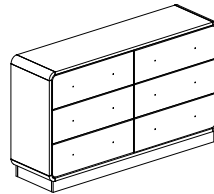
ASSEMBLY TIME

10 MINUTES

PARTS IDENTIFICATION

A

DRESSER



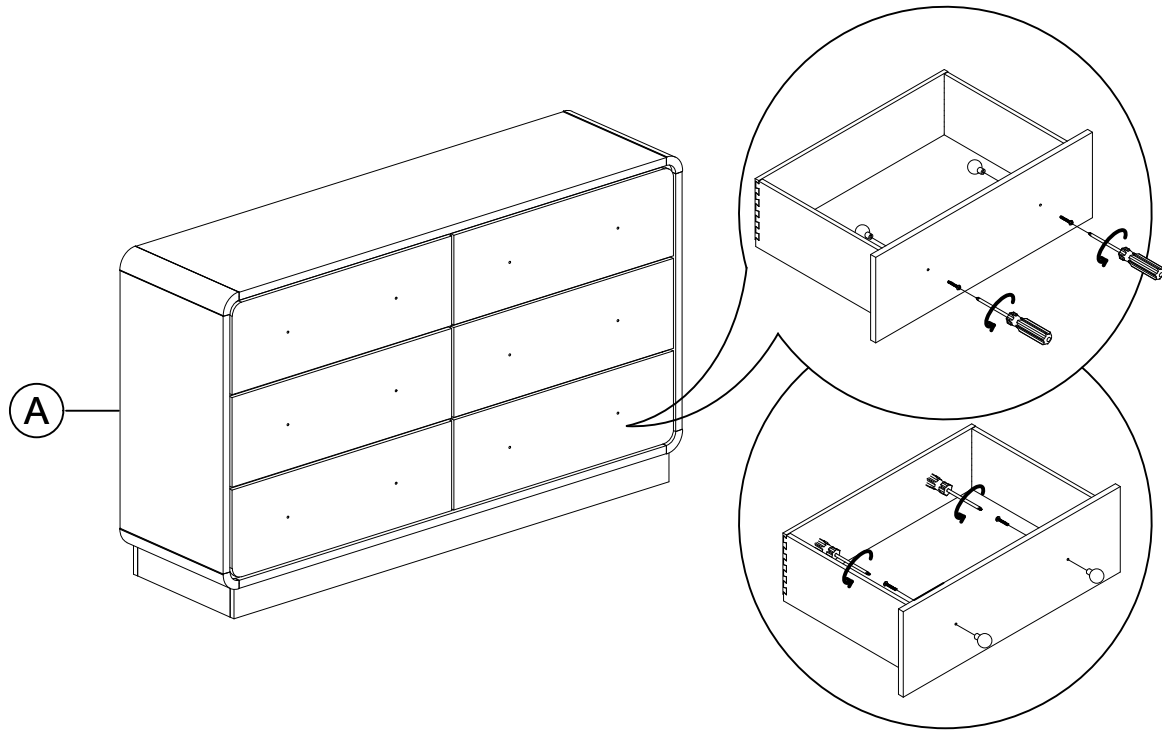
1PC

NOTE:

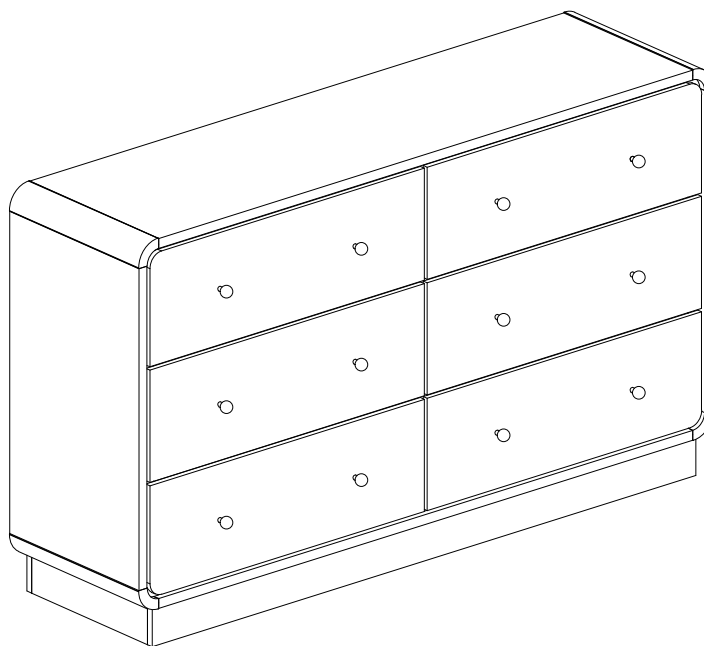
Phillips head screw driver is required in the assembly process; however, manufacturer does not provided this item.

ASSEMBLY INSTRUCTIONS

STEP 1



STEP 2 COMPLETE



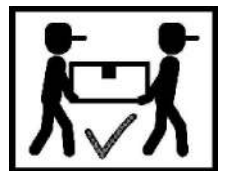
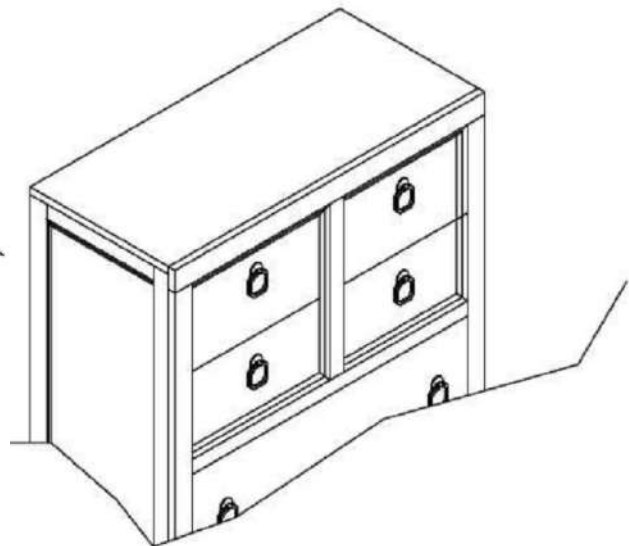
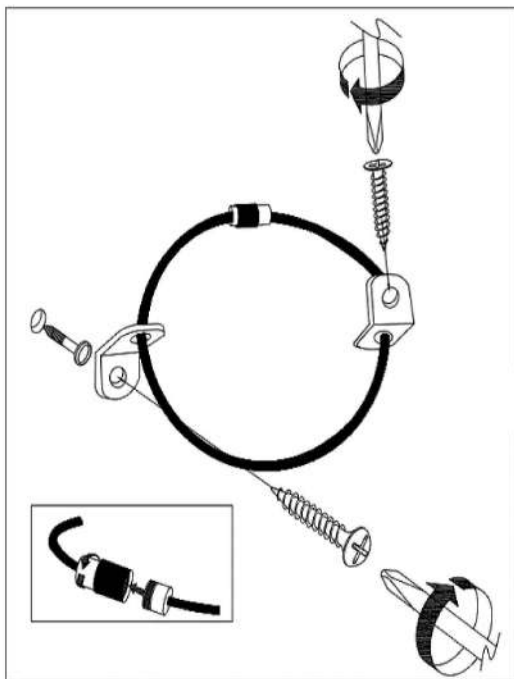
ANTI-TIPPING INSTALLMENT INSTRUCTIONS

FURNITURE TIPPING RESTRAINT

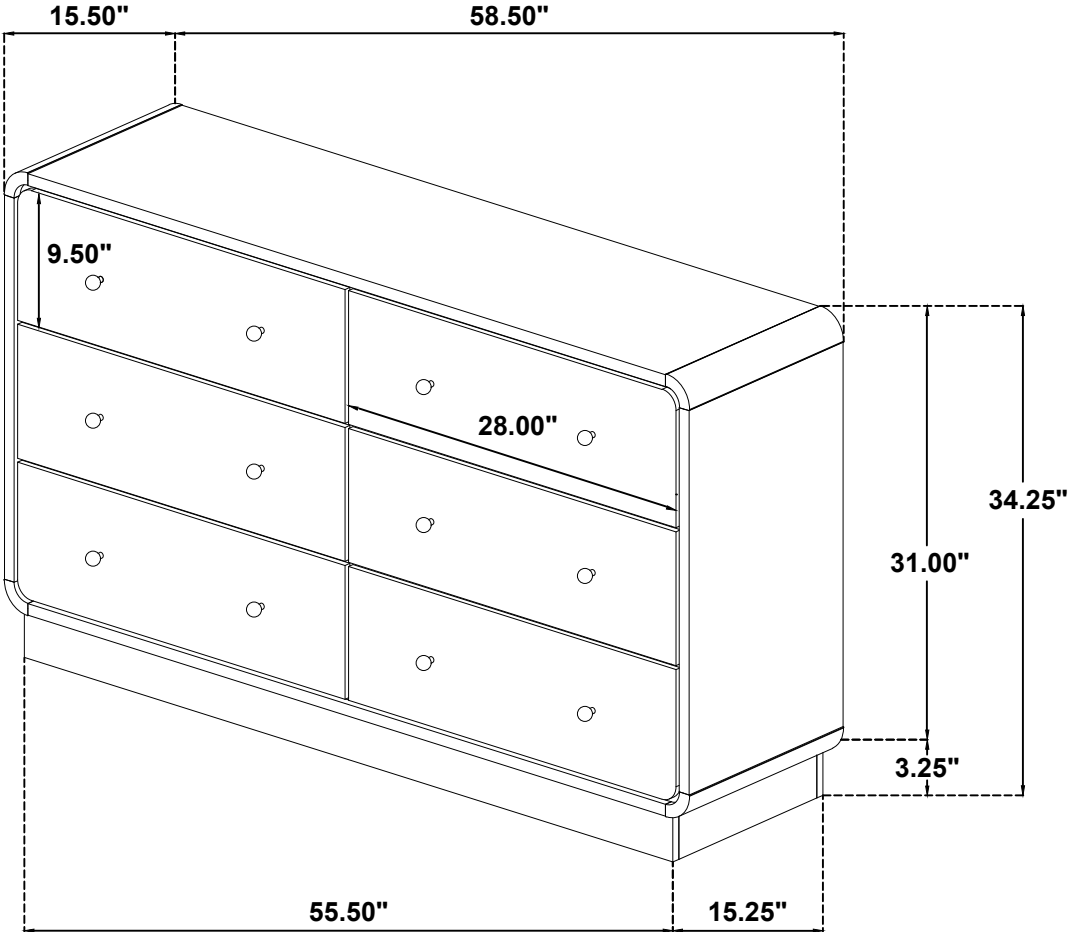
WARNING

Injury may result from tipping furniture.
This restraint may protect against tipping furniture.
Do not allow children to climb on furniture.
This restraint is not a substitute for proper adult supervision.
Failure to detach this restraint before moving the furniture may result in injury and damage.

1. Attach one of the mounting brackets securely to the back edge of the unit, using the short screw.
2. Determine where the unit is to be placed, and mark the location on the wall for the other mounting bracket. The bracket on the wall needs to be approximately 2" below the bracket mounted to the edge of the unit.
3. Drill a hole in the wall. Insert the plastic wall anchor into the hole and if necessary, use a small block of wood and hammer to tap it in so that it's flush with the wall.
4. Attach the bracket over the plastic wall anchor using the long screw.
5. Place the unit against the wall, both brackets need to be facing each other.
6. Lace an end of the restraint strap through the hole in each bracket. Bring both ends together and rotate the thumb nut onto the threaded end until tight.
7. Ensure that the restraint strap is securely laced and locked.



Inner Size of Drawer : 24.75"W X 12.25"D X 5.00"H X 0.50"T



Note : Dimension tolerance $\pm 5\%$

ASSEMBLY INSTRUCTIONS



Fine Furniture for every stage of life

Mirror

ASSEMBLY INSTRUCTIONS

ASSEMBLY TIPS:

1. Remove hardware from box and sort by size.
2. Please check to see that all hardware and parts are present prior to start of assembly.
3. Please follow attached instructions in the same sequence as numbered to assure fast & easy assembly.



WARNING!

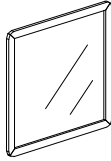

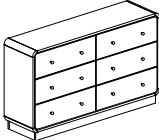
1. Don't attempt to repair or modify parts that are broken or defective. Please contact the store immediately.
2. This product is for home use only and not intended for commercial establishments.







ASSEMBLY TIME

10 MINUTES

PARTS IDENTIFICATION

A	MIRROR		1PC
B	MIRROR SUPPORT (PACKED WITH MIRROR)		2PCS
C	DRESSER		1PC

HARDWARE IDENTIFICATION

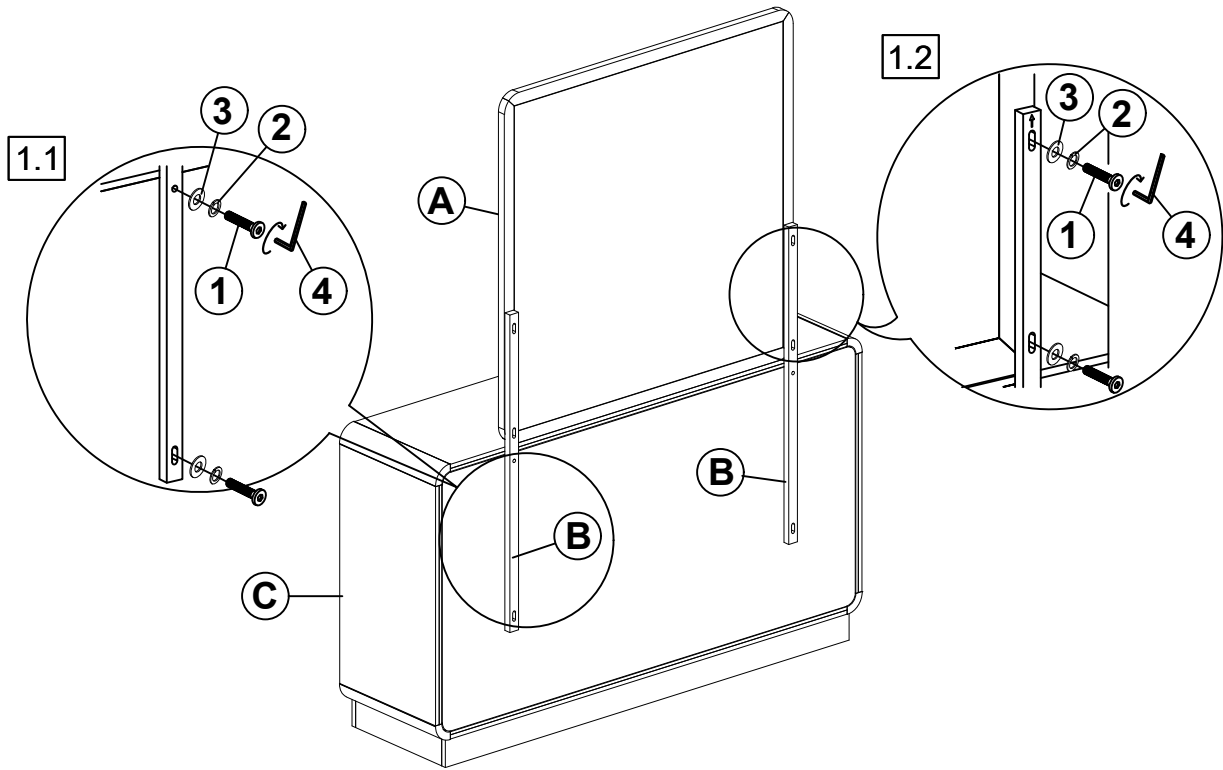
1	BOLT (M6 x 40mm - RBW)		8PCS
2	LOCK WASHER (1/4" x 13ø - RBW)		8PCS
3	FLAT WASHER (1/4" x 19ø - RBW)		8PCS
4	ALLEN WRENCH (M4 x 110mm - BLK)		1PC

NOTE:

Phillips head screw driver is required in the assembly process; however, manufacturer does not provided this item.

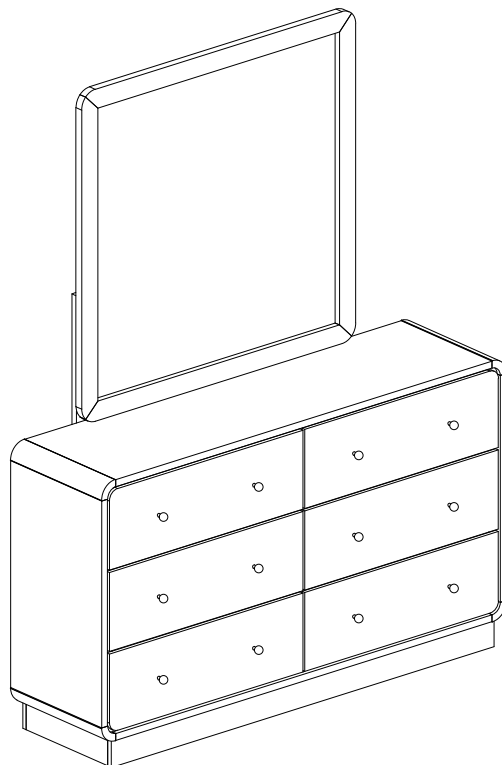
ASSEMBLY INSTRUCTIONS

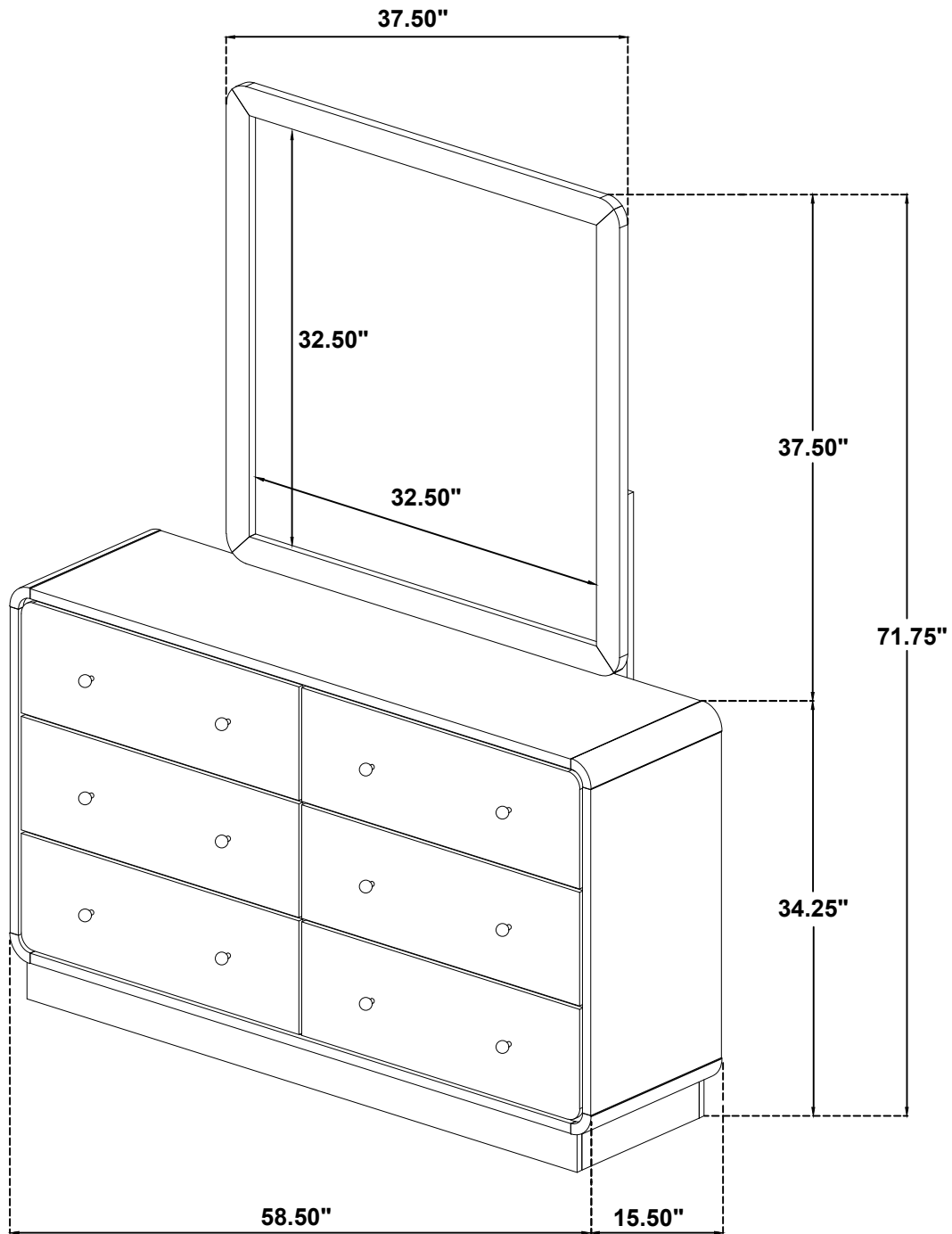
STEP 1



* BACK VIEW

STEP 2 COMPLETE





Note : Dimension tolerance $\pm 5\%$