

# ATTENTION



- ADULT ASSEMBLY ONLY.
- KEEP SMALL ACCESSORIES OUT OF THE REACH OF CHILDREN UNTIL ASSEMBLY IS COMPLETE.
- TIGHTEN EVERY SCREW TO KEEP THE BOOKSHELF STABLE.
- ENSURE THAT THE BOOKSHELF IS PLACED STABLE BEFORE USE.
- DO NOT CLIMB OR HANG FROM THE BOOKSHELF.
- REGULARLY INSPECT AND TIGHTEN ANY LOOSE SCREWS.

# PARTS LIST



PLEASE ENSURE THAT THE BOOKSHELF IS INTACT AND UNDAMAGED BEFORE ASSEMBLY. IF THERE ARE ANY ISSUES, PLEASE CONTACT US PROMPTLY

**A** × 1      **B** × 1

**C** × 1      **D** × 1      **E** × 1

**F** × 1      **G** × 1

**H** × 1      **I** × 1      **K** × 4      **L** × 2

**J** × 1

NON-SLIP MAT × 10

3.5 \* 25 SCREWS × 64      SCREWDRIVER × 1      GLOVES × 1      SANDPAPER × 1

# ASSEMBLY INSTRUCTIONS

**01** A + B

**02** + C

**03** + D

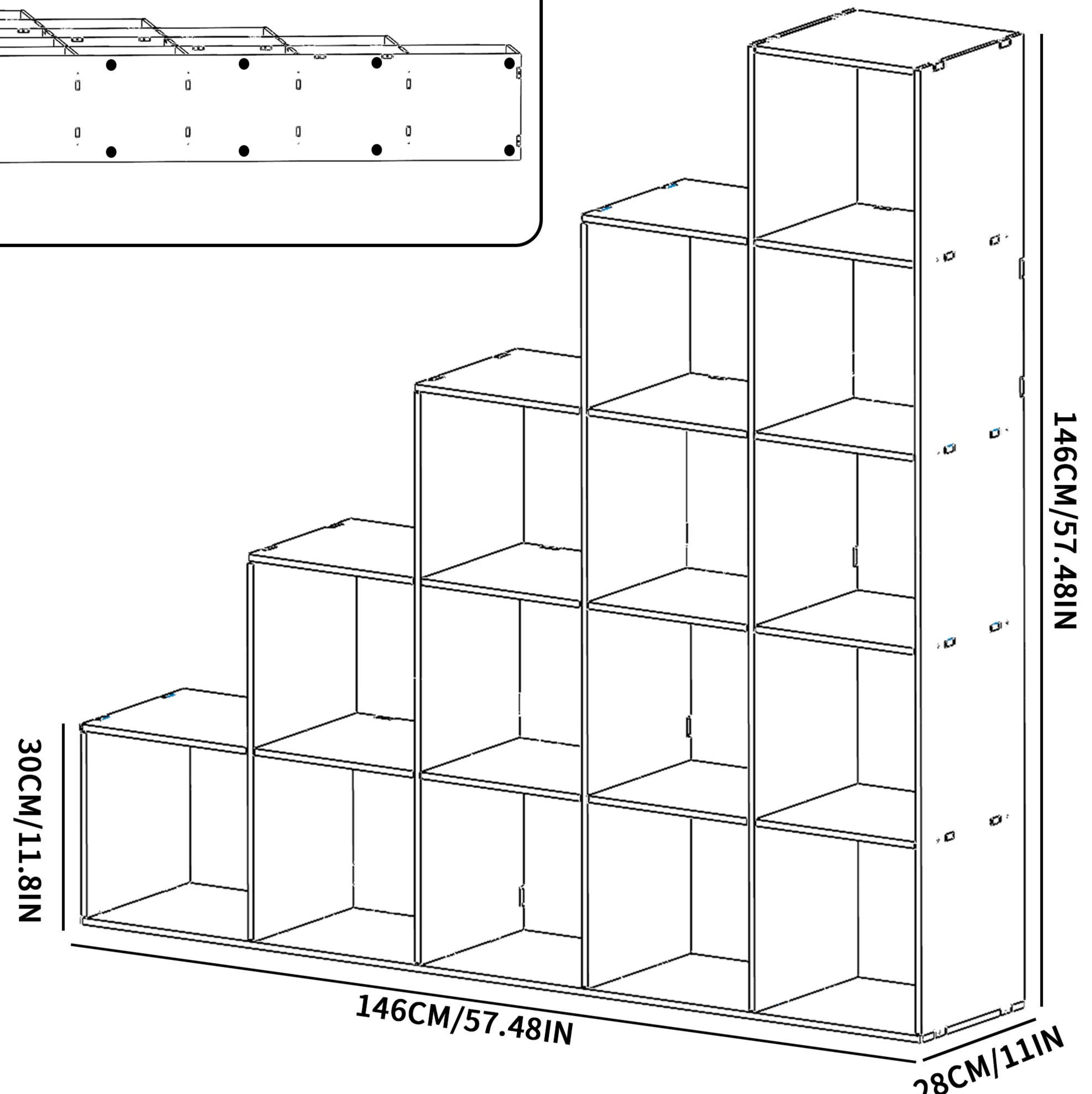
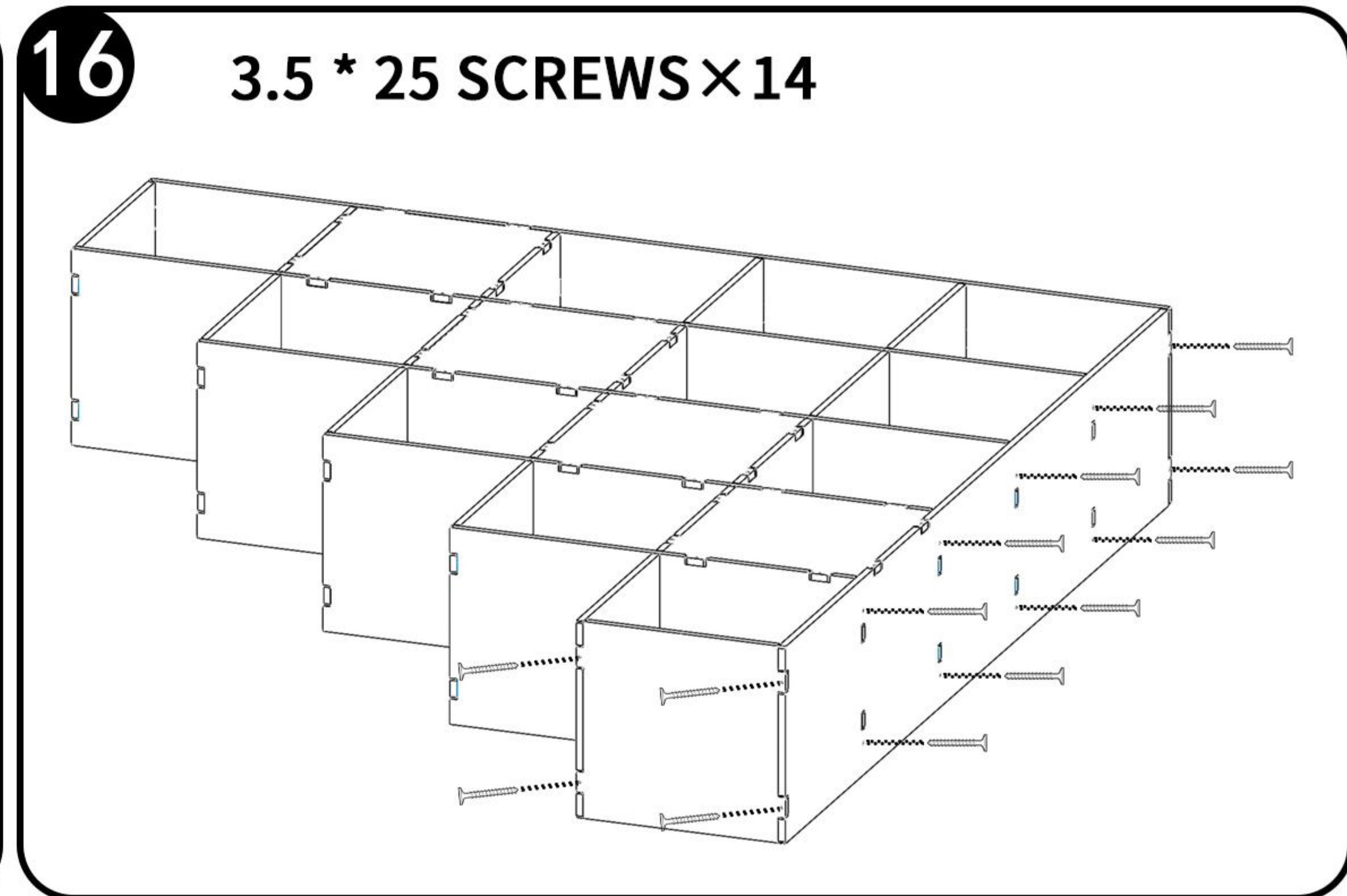
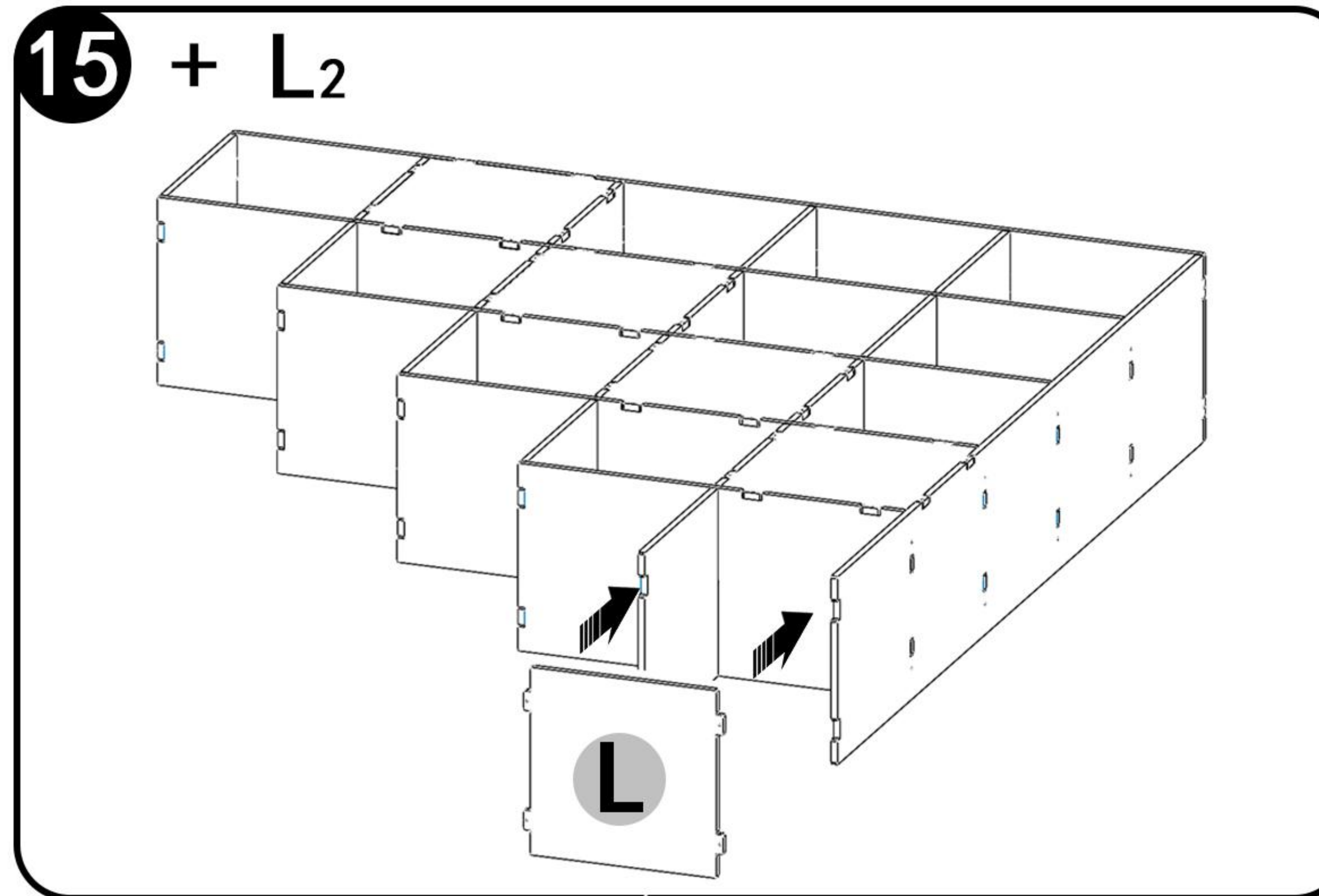
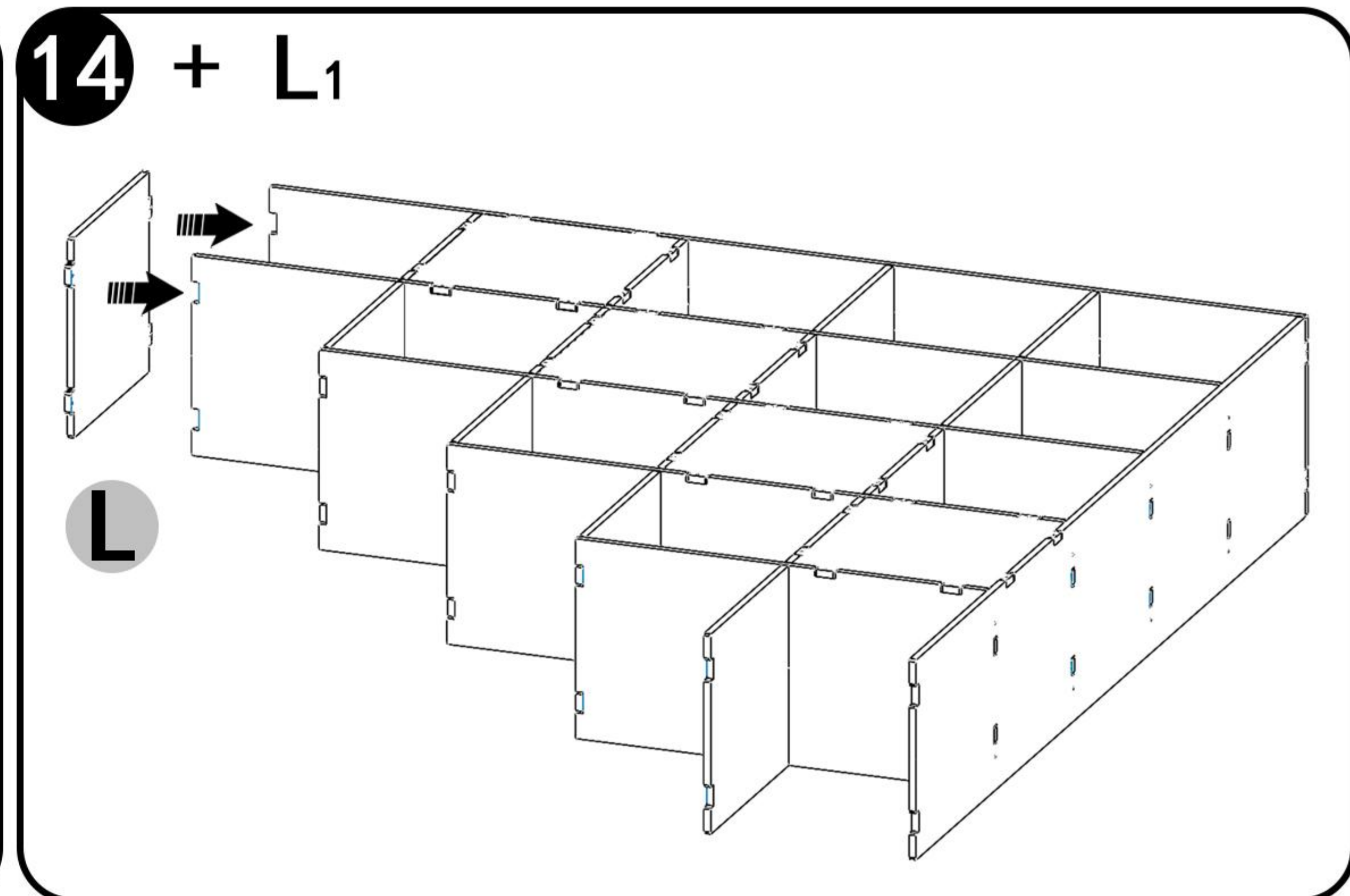
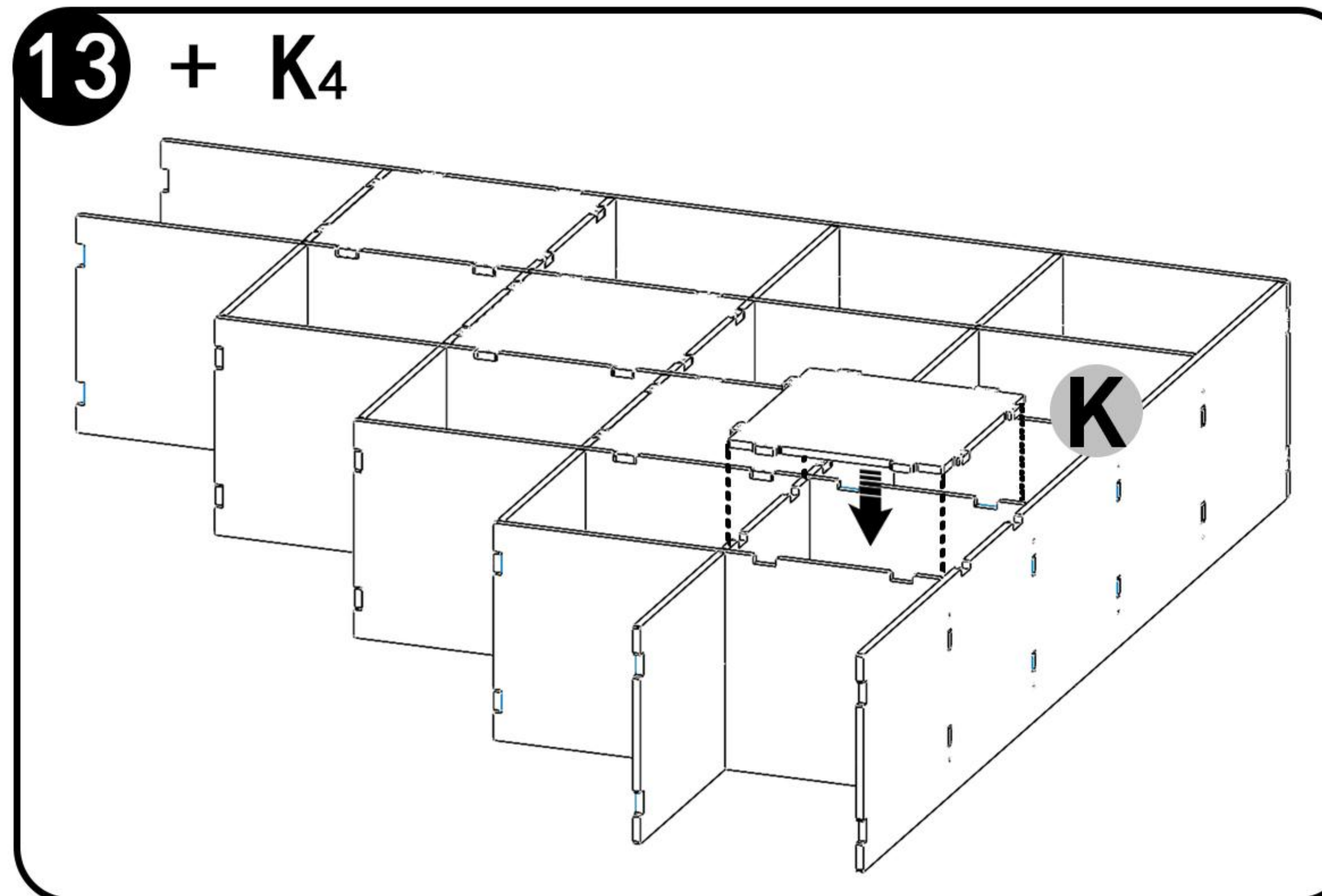
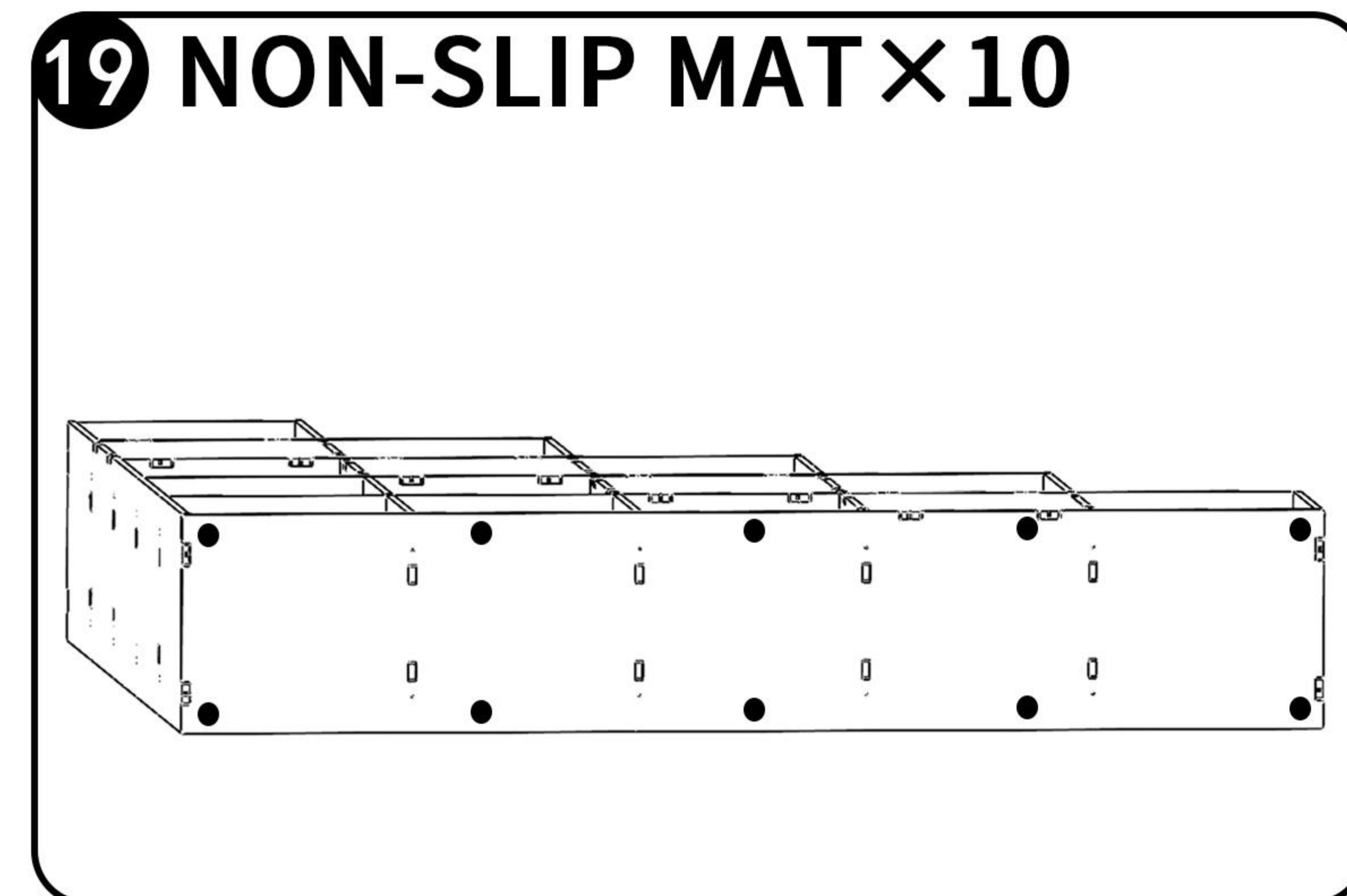
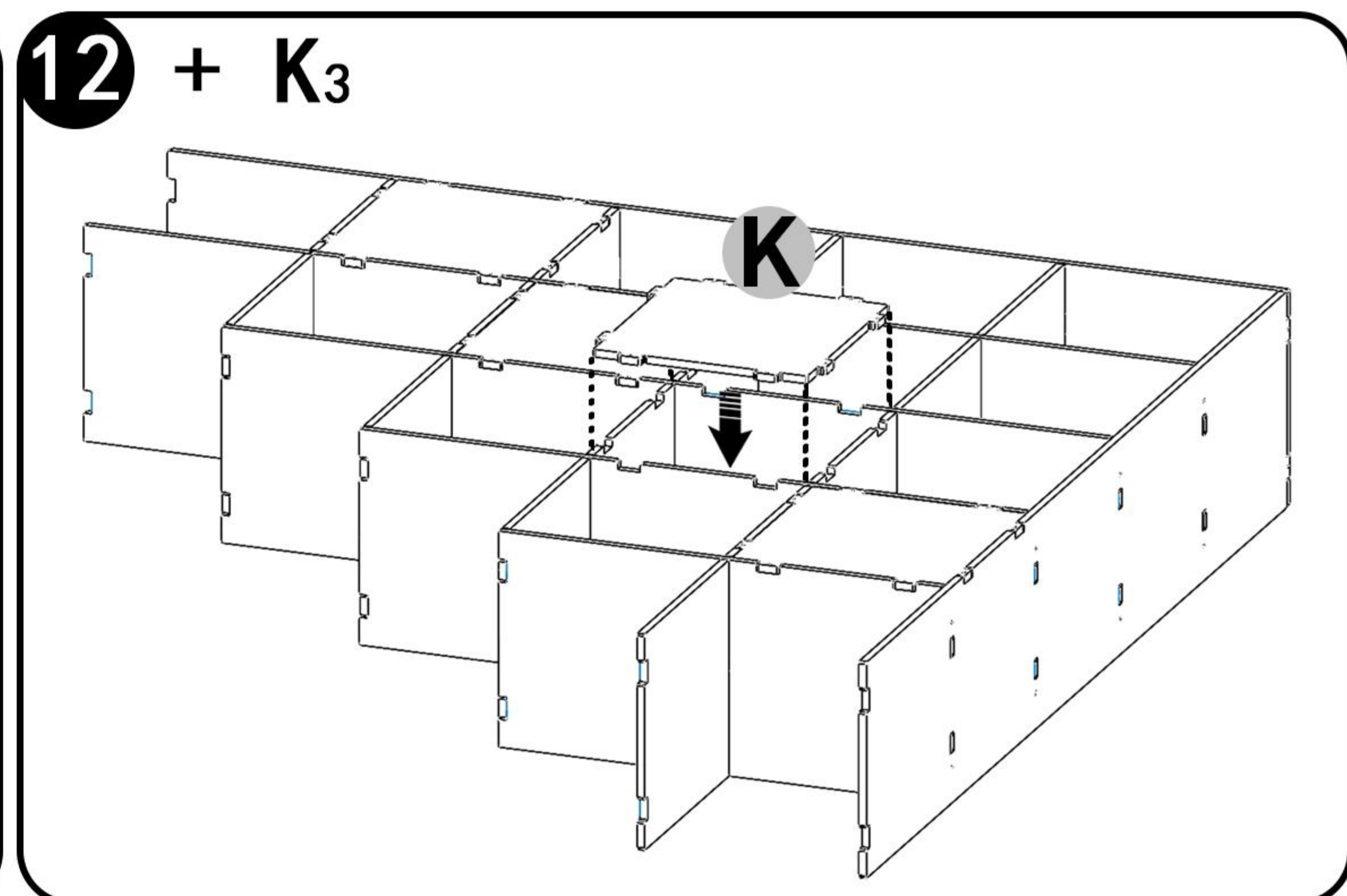
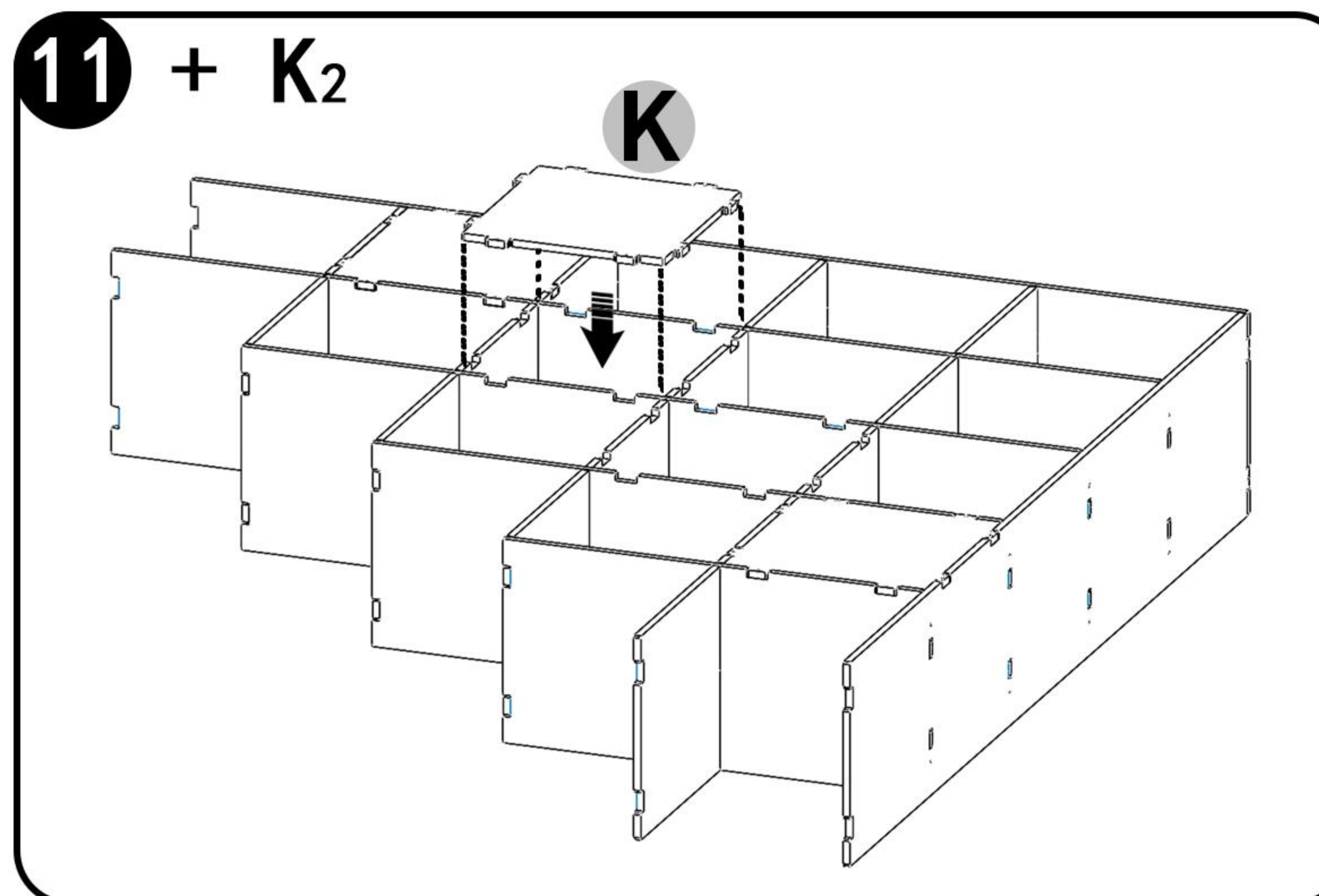
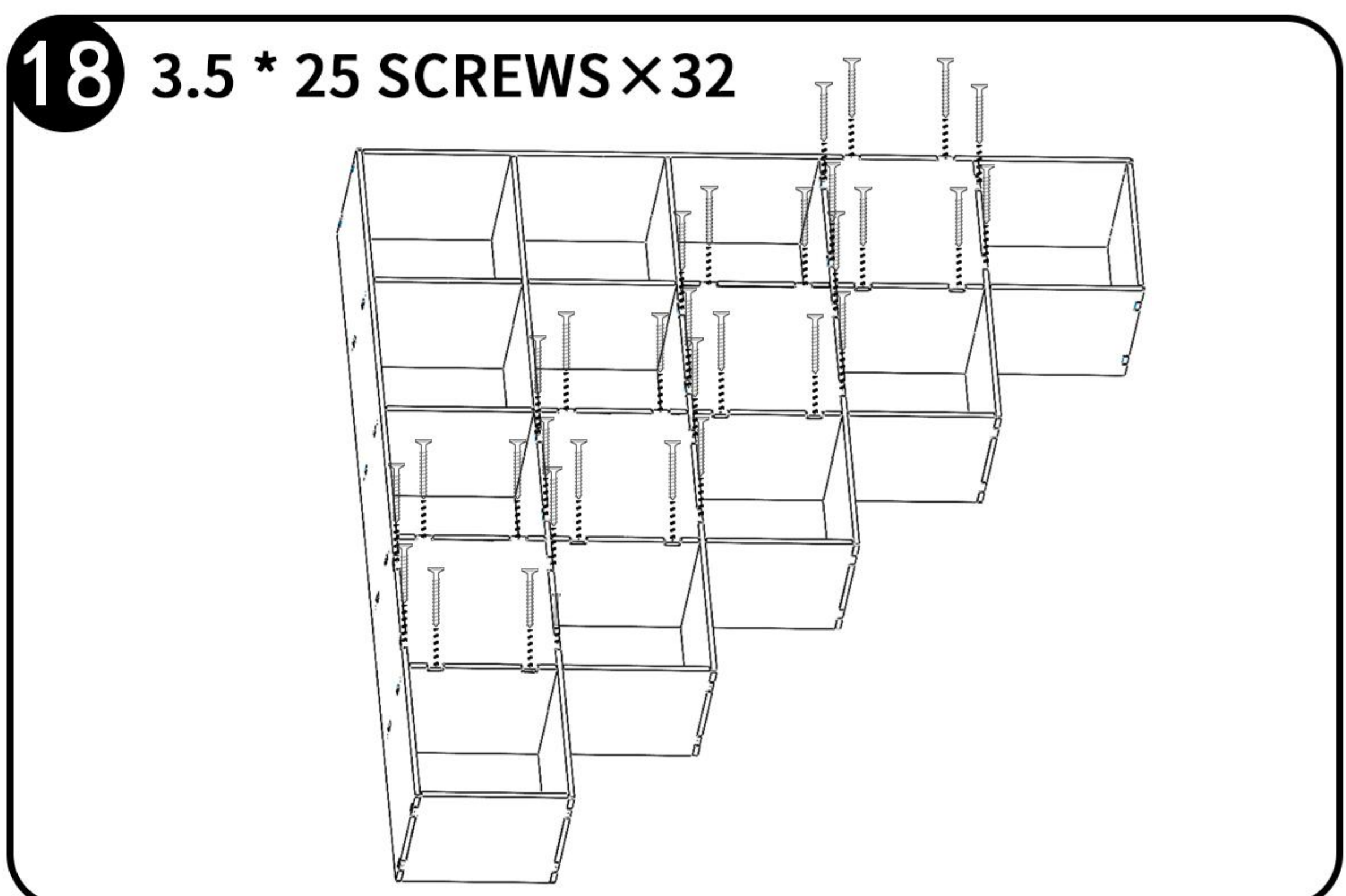
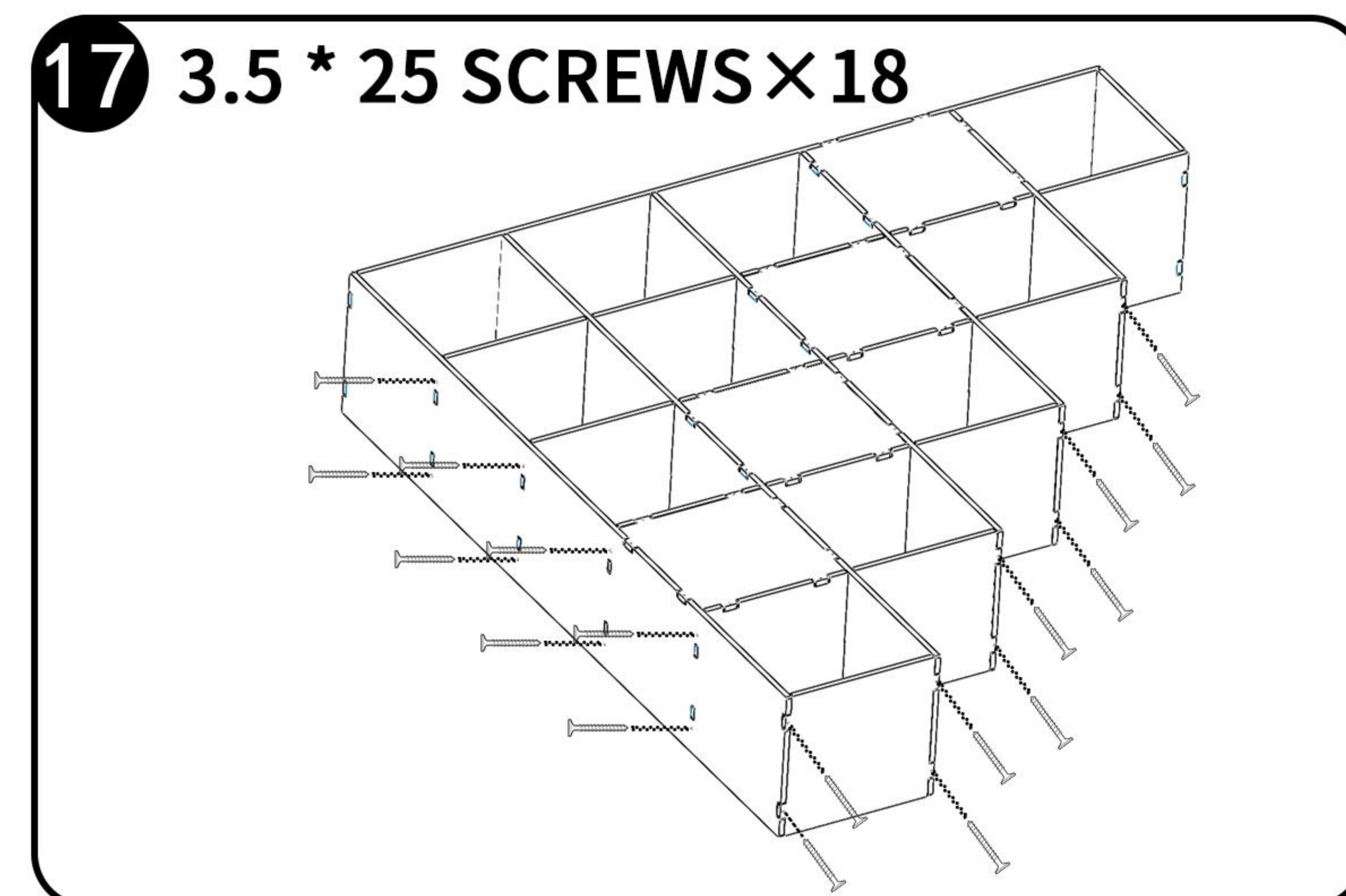
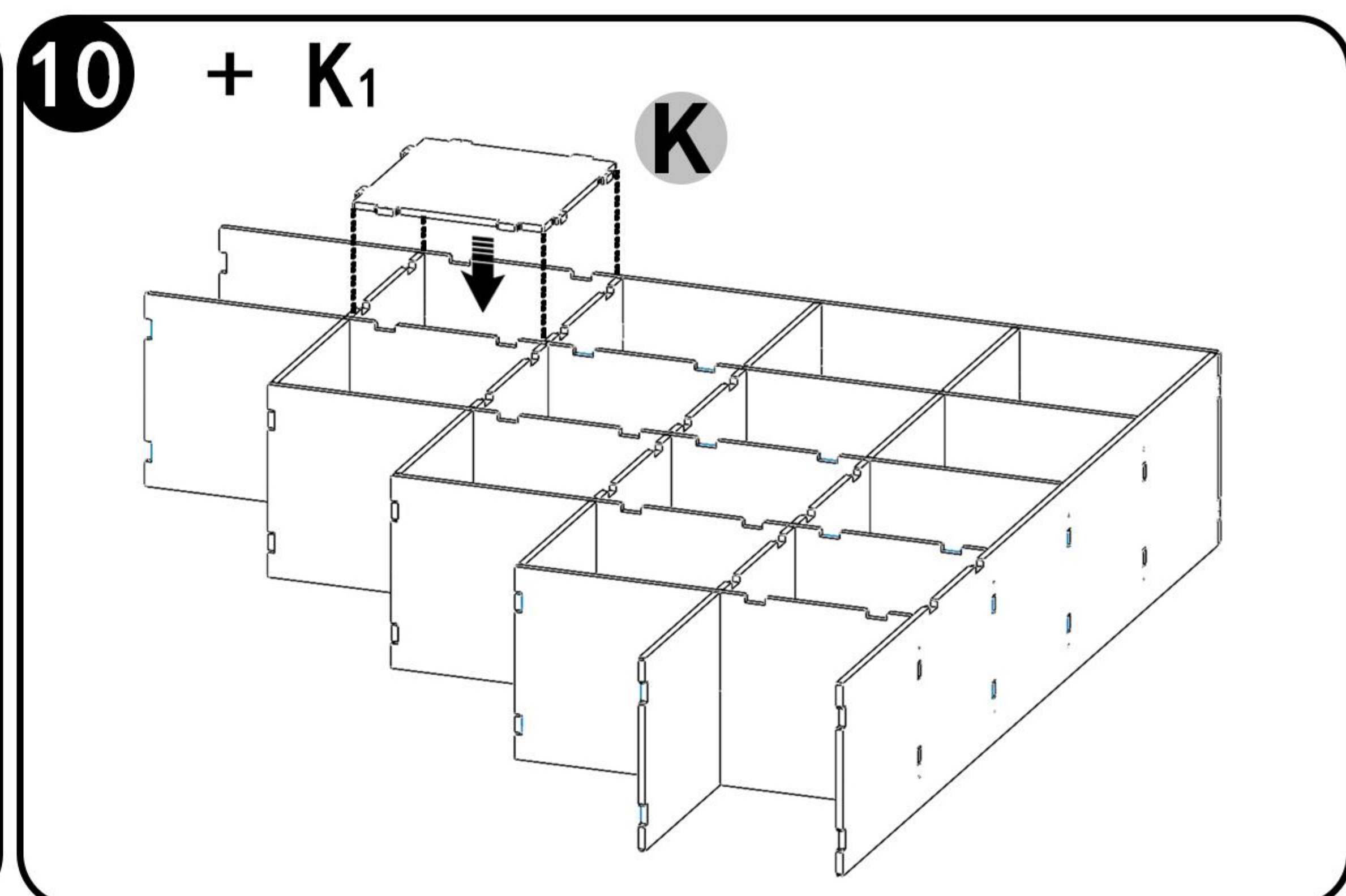
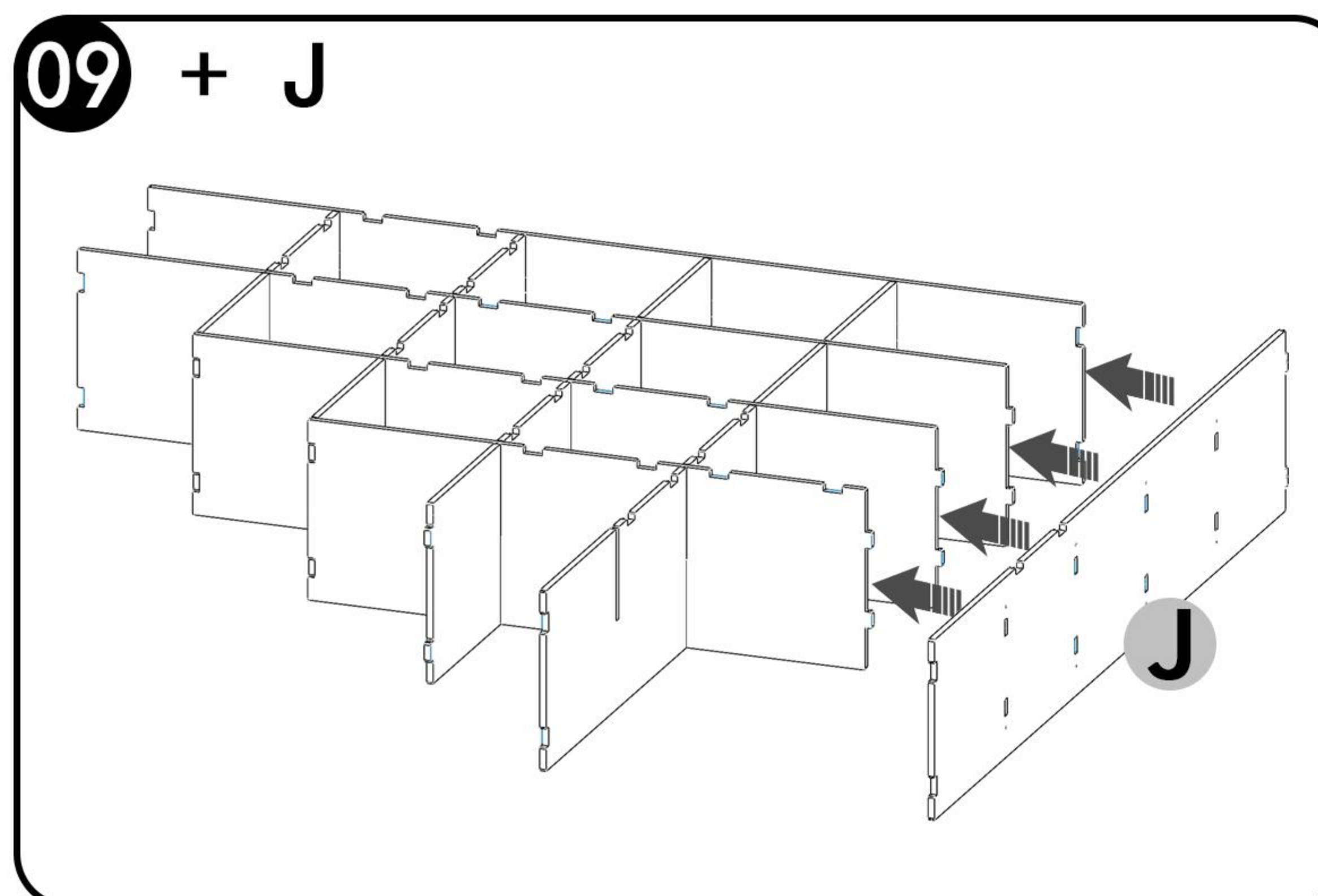
**04** + E

**05** + F

**06** + G

**07** + H

**08** + I



UNIT: CM/IN  
(THE ERROR OF MANUAL MEASUREMENT IS ABOUT 0.5 CM)