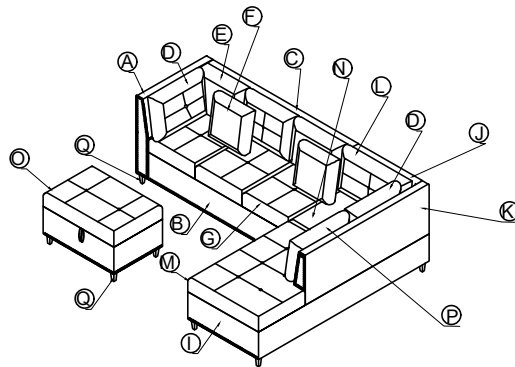


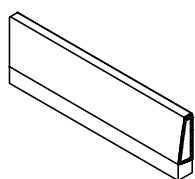
ASSEMBLY INSTRUCTION

U380

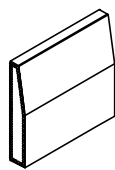


PARTS LIST

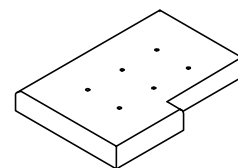
BOX 1:



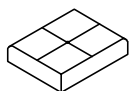
(K): 1 PC



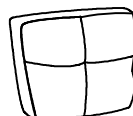
(J): 1 PC



(M): 1 PC



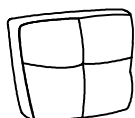
(N): 1 PC



(L): 1 PC



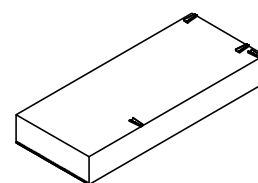
(P): 1 PC



(D): 1 PC



(E): 2 PCS



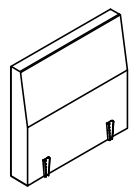
(I): 1 PC



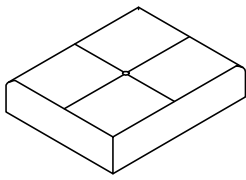
(Q): 4 PCS

*Carefully unpack parts/hardware from the box and storage of seat body, place on a clean flat surface.
 *Attention: After remove the pillow from the boxes, please pat on the pillow, swipe gently on the fabric by using hand to reduce the wrinkle.

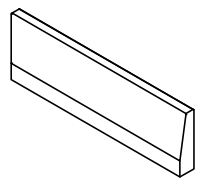
BOX 2:



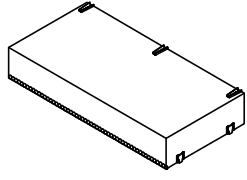
(A): 1 PC



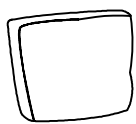
(G): 3 PCS



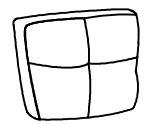
(C): 1 PC



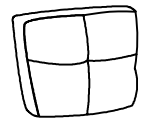
(B): 1 PC



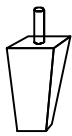
(F): 2 PCS



(D): 1 PCS

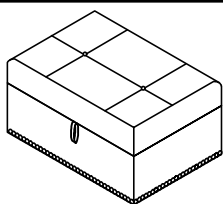


(E): 1 PC

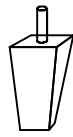


(Q): 4 PCS

BOX 3:



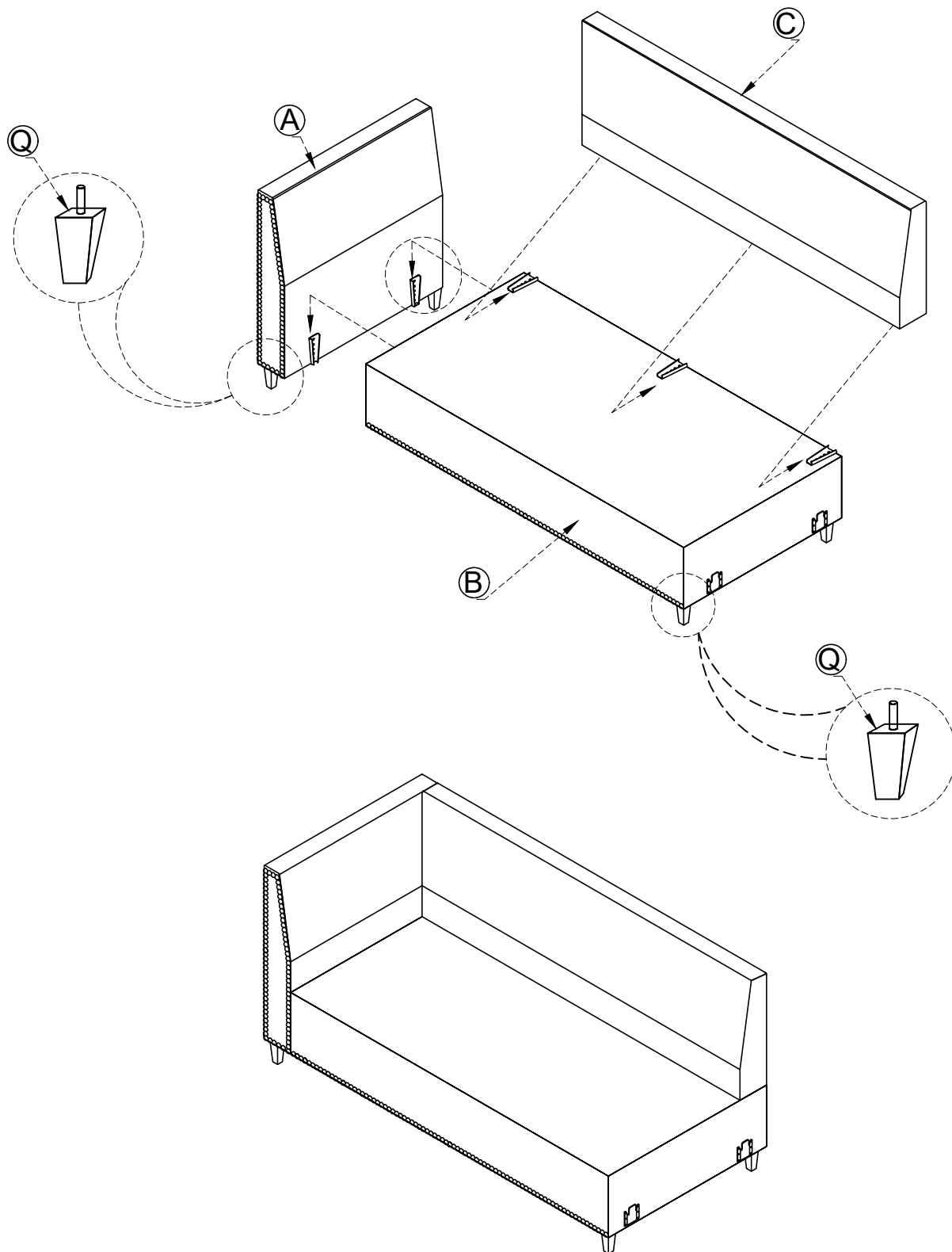
(O): 1 PC



(Q): 4 PCS

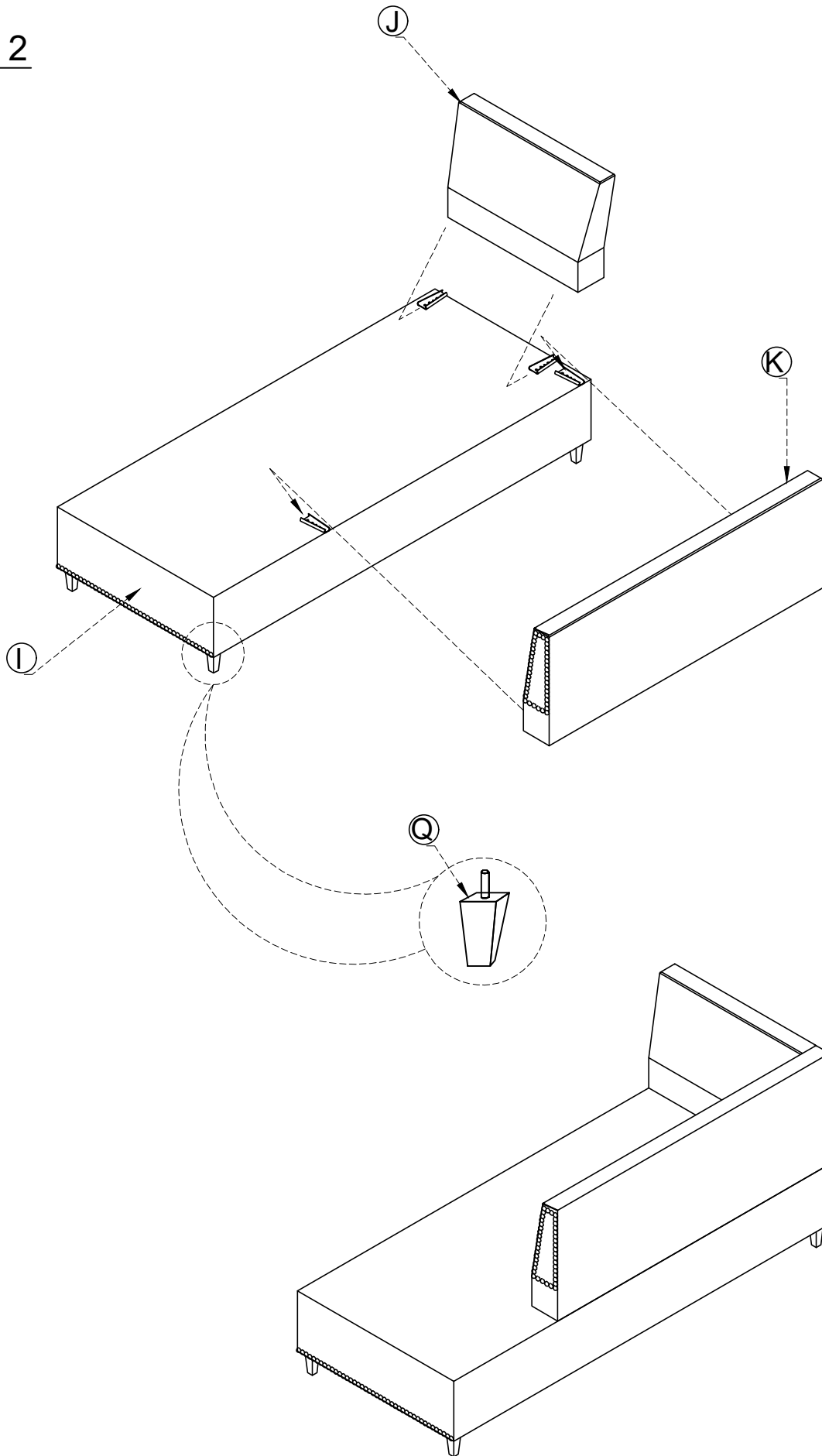
**Carefully unpack parts/hardware from the box and storage of seat body, place on a clean flat surface.
Attention: After remove the pillow from the boxes, please pat on the pillow, swipe gently on the fabric by using hand to reduce the wrinkle.

STEP 1



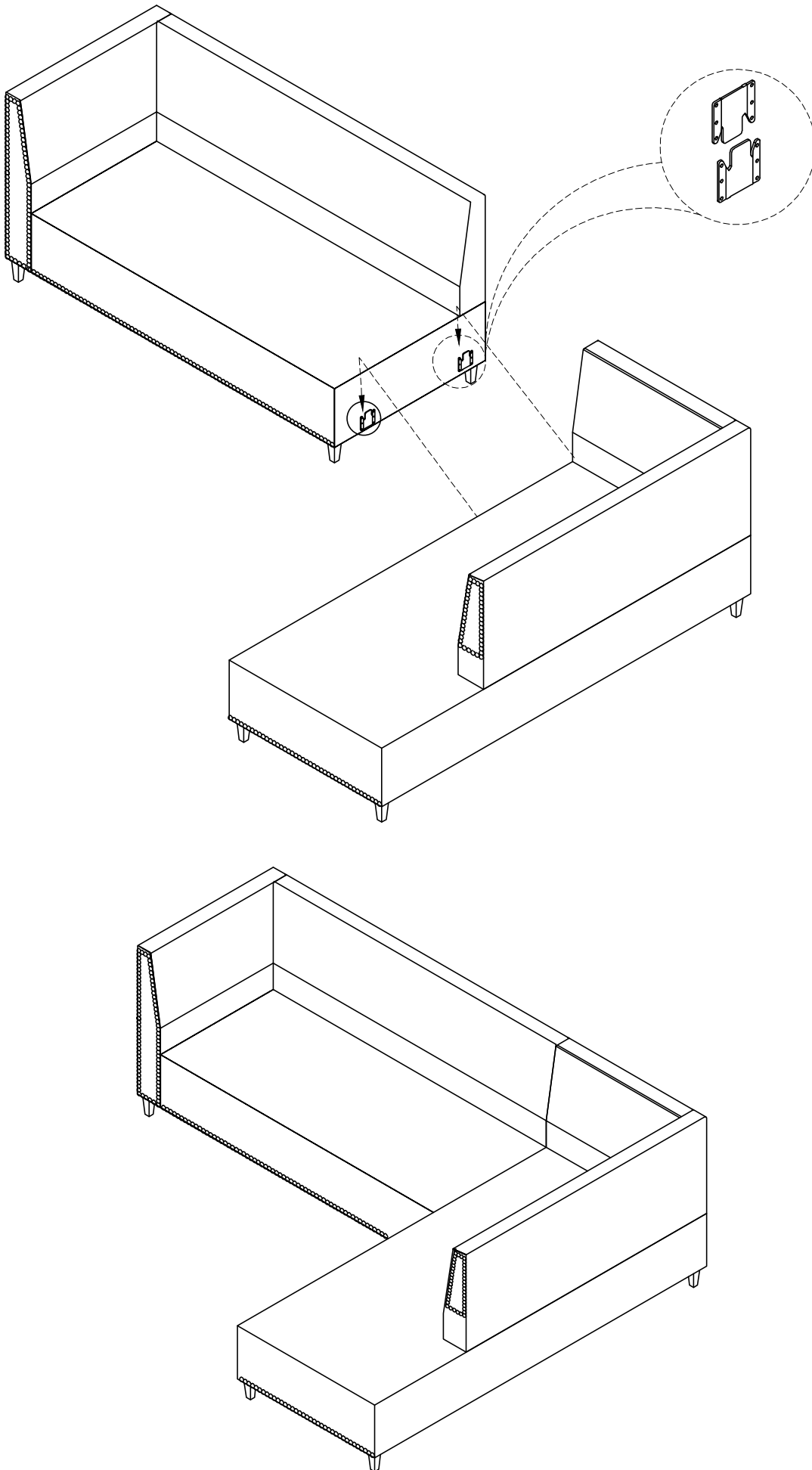
**Carefully unpack parts/hardware from the box and storage of seat body, place on a clean flat surface.
Attention: After remove the pillow from the boxes, please pat on the pillow, swipe gently on the fabric by using hand to reduce the wrinkle.

STEP 2



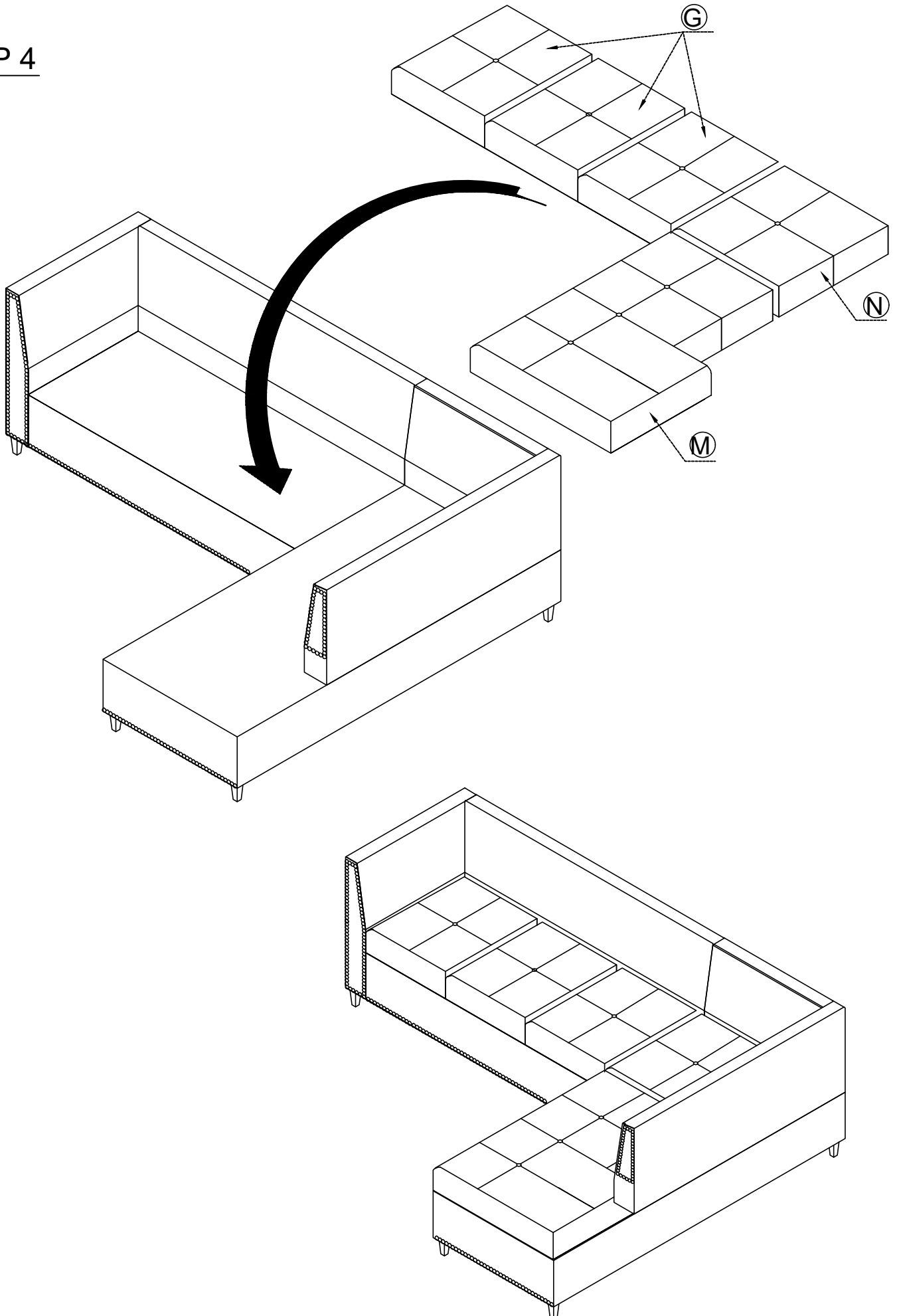
**Carefully unpack parts/hardware from the box and storage of seat body, place on a clean flat surface.
Attention: After remove the pillow from the boxes, please pat on the pillow, swipe gently on the fabric by using hand to reduce the wrinkle.

STEP 3



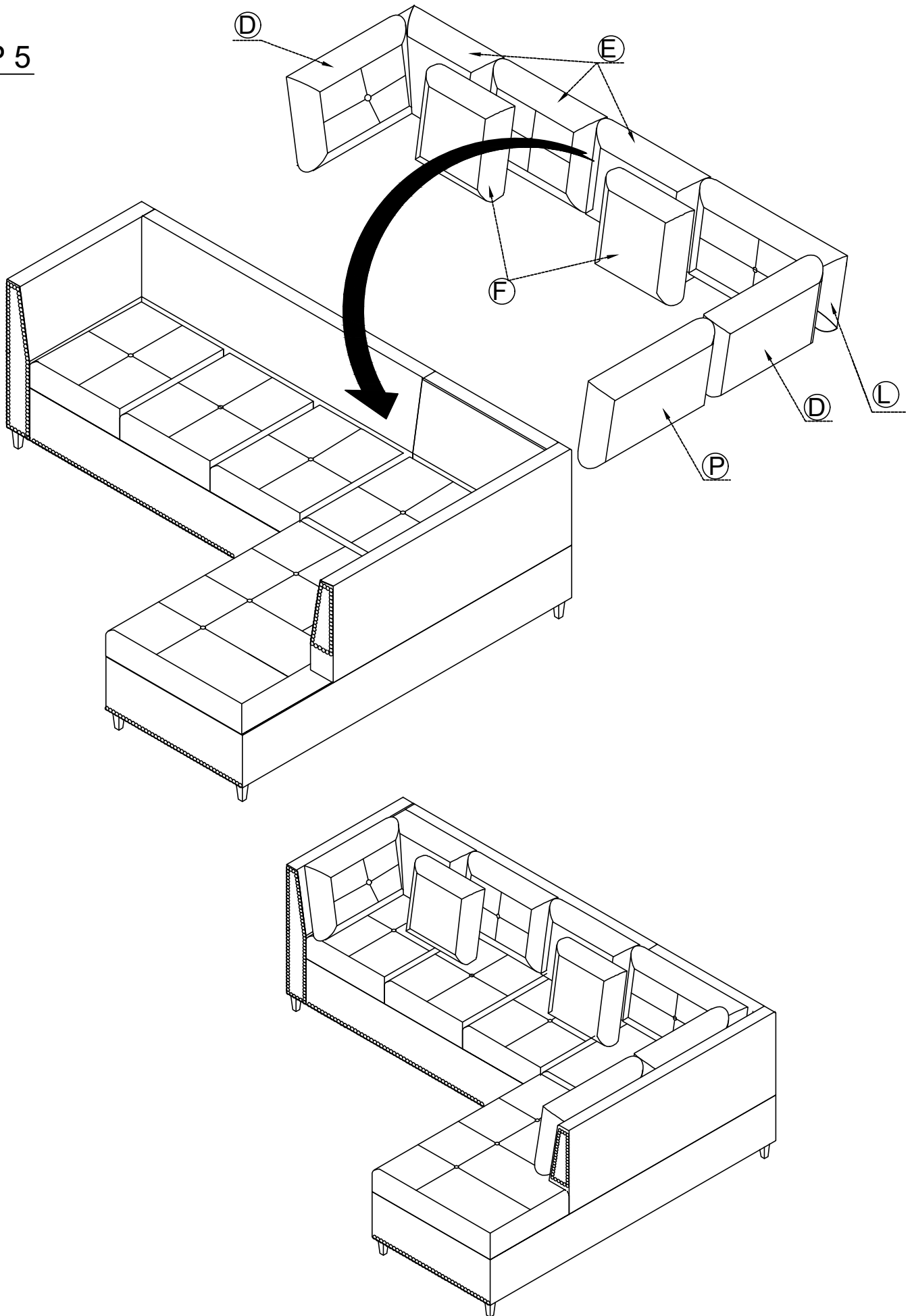
**Carefully unpack parts/hardware from the box and storage of seat body, place on a clean flat surface.
Attention: After remove the pillow from the boxes, please pat on the pillow, swipe gently on the fabric by using hand to reduce the wrinkle.

STEP 4



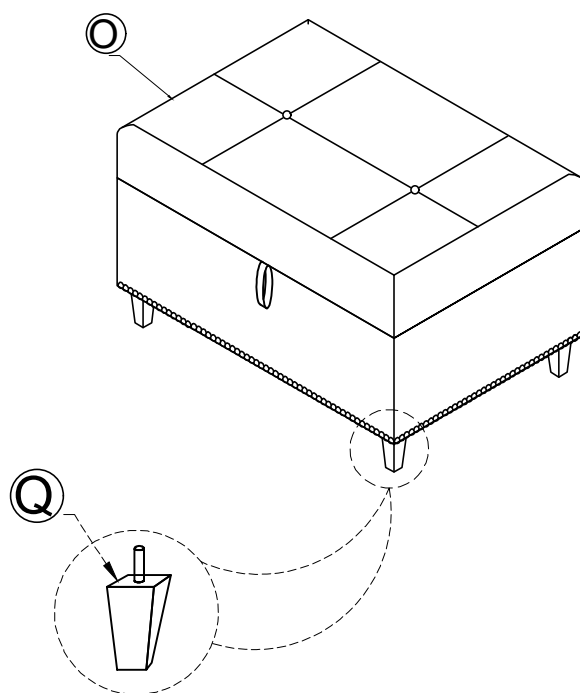
**Carefully unpack parts/hardware from the box and storage of seat body, place on a clean flat surface.
Attention: After remove the pillow from the boxes, please pat on the pillow, swipe gently on the fabric by using hand to reduce the wrinkle.

STEP 5

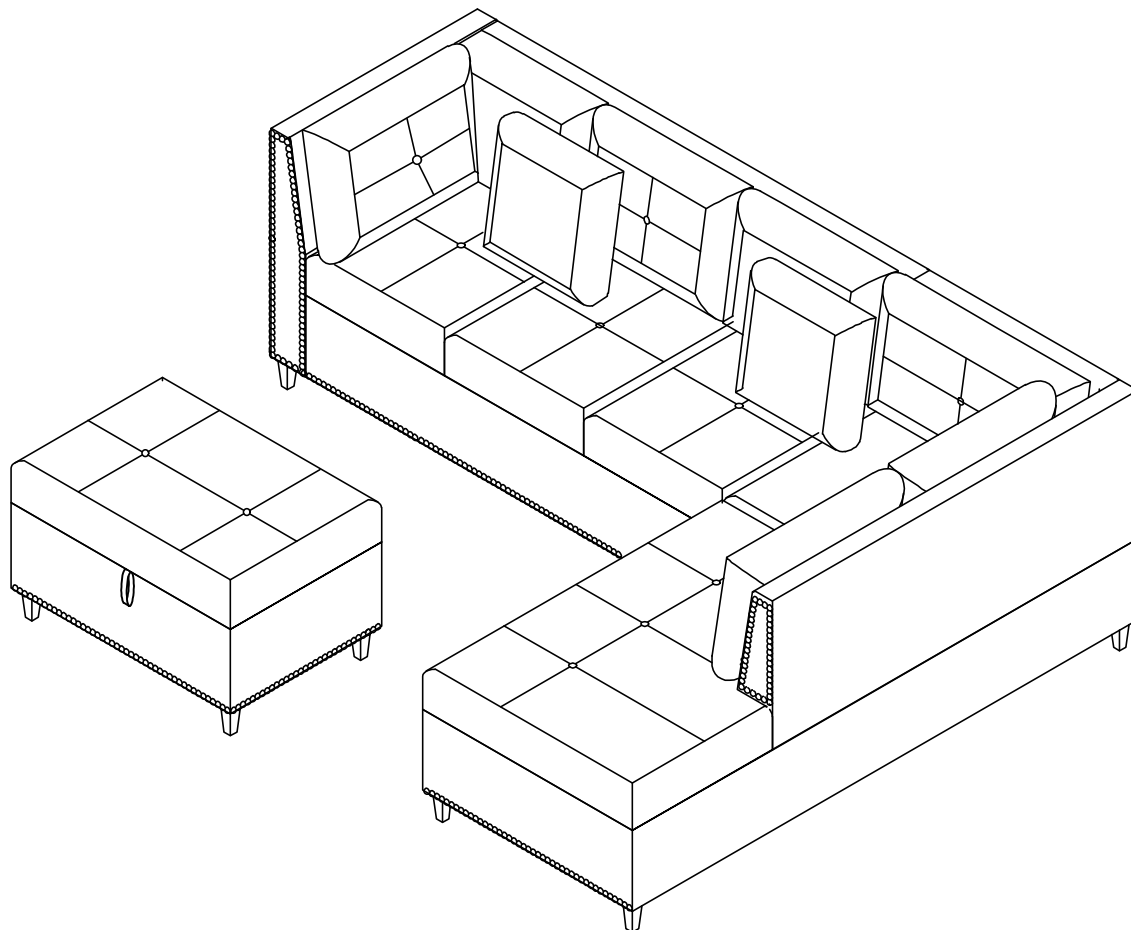


**Carefully unpack parts/hardware from the box and storage of seat body, place on a clean flat surface.
Attention: After remove the pillow from the boxes, please pat on the pillow, swipe gently on the fabric by using hand to reduce the wrinkle.

STEP 6



COMPLETE



**Carefully unpack parts/hardware from the box and storage of seat body, place on a clean flat surface.
Attention: After remove the pillow from the boxes, please pat on the pillow, swipe gently on the fabric by using hand to reduce the wrinkle.