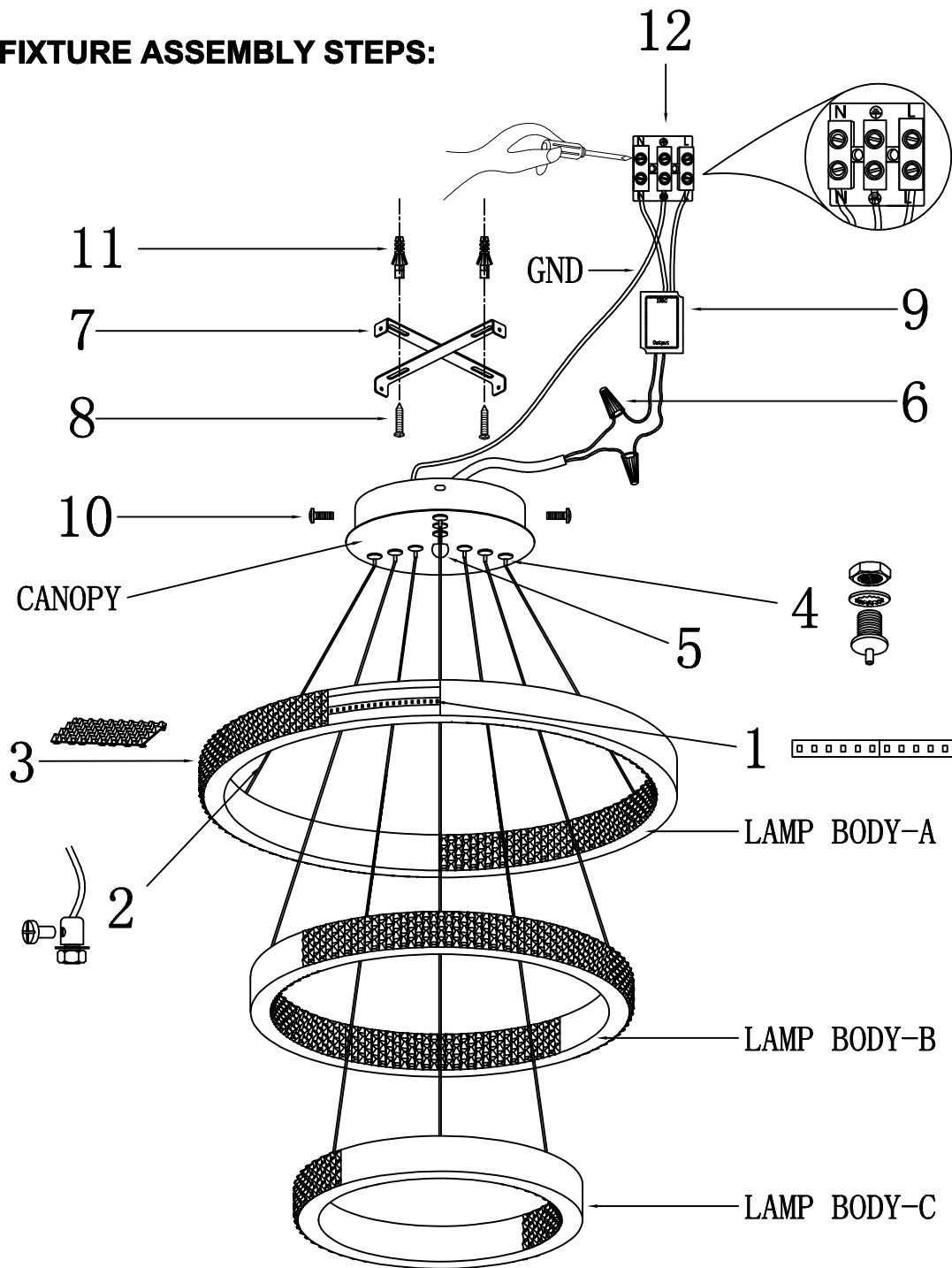


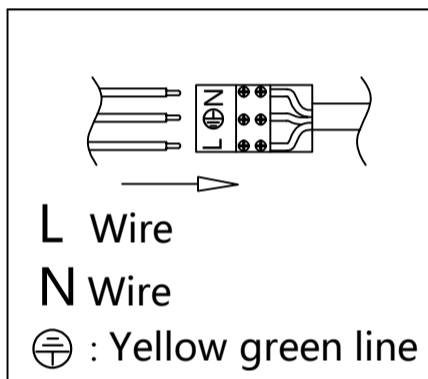
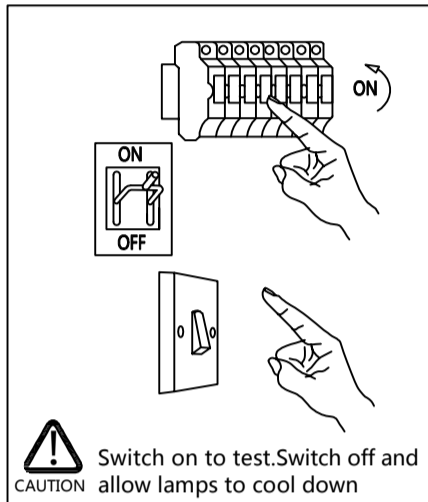
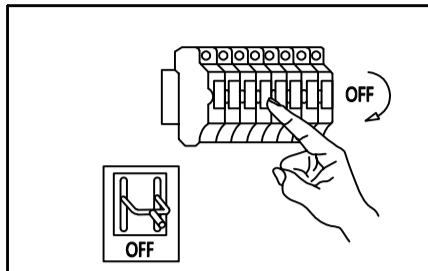
### FIXTURE ASSEMBLY STEPS:



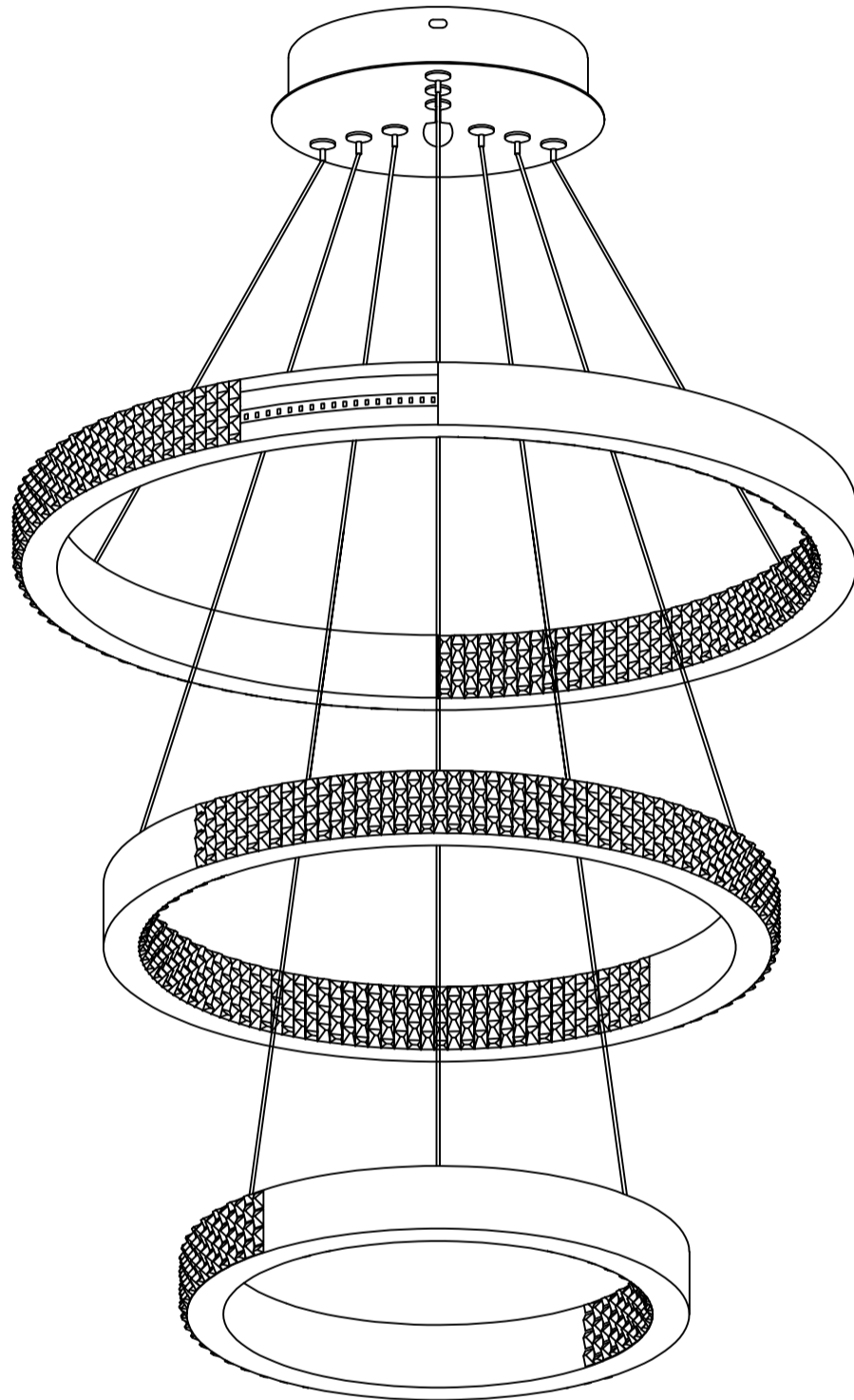
DESCRIPTION	PICTURE	CODE	QTY
LED LIGHT SOURCE		1	1 SET
WIRE		2	9 PCS
ACRYLIC		3	1 SET
RETRACTOR		4	9 SET
TRIM		5	1 SET
P3 WIRING CAP		6	2 PCS
GECKO AND WOOD SCREW		8/11	4 SET
LED DRIVE		9	1 SET
MOUNTING PLATE		7/10	1 SET
LINE BANK		12	1 PCS
CANOPY		CANOPY/GND	1 SET
LAMP BODY		LAMP BODY-A LAMP BODY-B LAMP BODY-C	1 SET

**WARNING** – if any Special Control Devices are used with this Fixture, Follow the instructions Carefully to assure full compliance With N. E. C. requirements. if there are any questions, contact a Qualified Electrical Contractor.  
**CAUTION** – All glass is fragile, use care when handling Glass component (s) and or Lamp(s).

**CANOPY MOUNTING & WIRE CONNECTION ASSEMBLY STEPS:**



**FIXTURE ASSEMBLY STEPS:**



1. AC220~240V,50Hz.The Max lamps power is 60W led light source.
2. Avoid to scratch the surface of lighting and the wires when install it.
3. Connect the live wire with the L wire (L) ,Connect the netural wire to the N wire(N) ,Yellow-green wire to grounding wire ( ⊕ ) (L-L,N-N, ⊕-⊕)
4. Don't install it to the ceiling before it's completely dry, the surrounding around must be ventilated and dry.
5. Keep away from the acid, basicity objects and gases, clean with soft cloth, water washing is not allowed.
6. Be careful when you install glass lamp shade.
7. The lighting must be installed by professional electrician and used indoor only.
8. Please keep attention to cut off the power supply when installing, cleaning, and replacing bulb.