

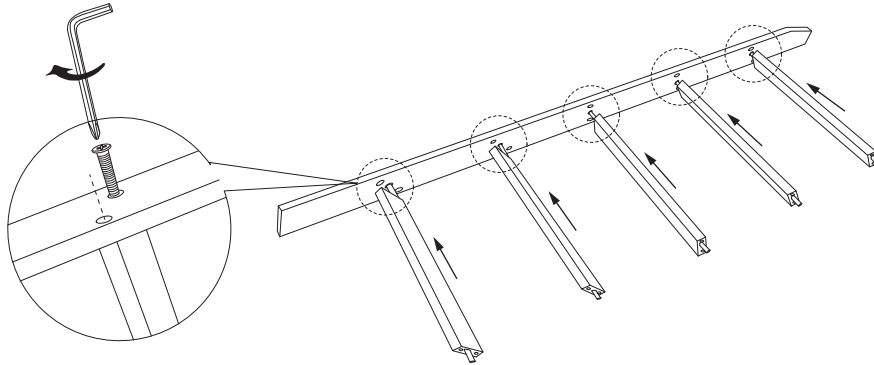
# BLANKET LADDER

## Assembly Instruction

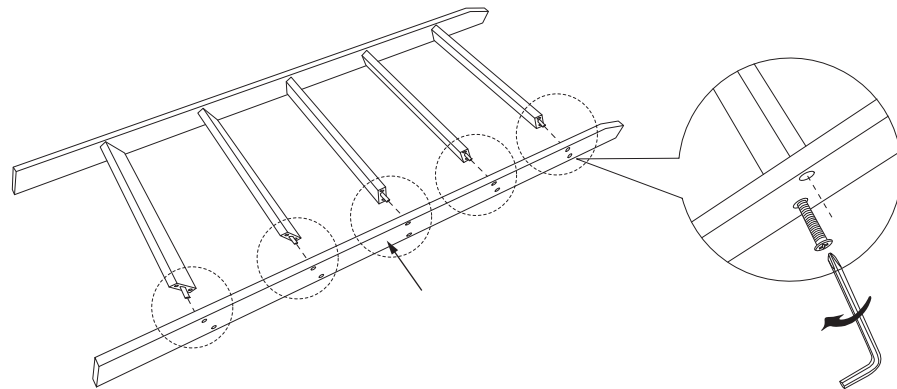


PARTS LIST			PARTS LIST		
NO.	DESCRIPTION	QTY	NO.	DESCRIPTION	QTY
A	leg	2	C	bolt	20
B	shelf	5	D	allen key	1

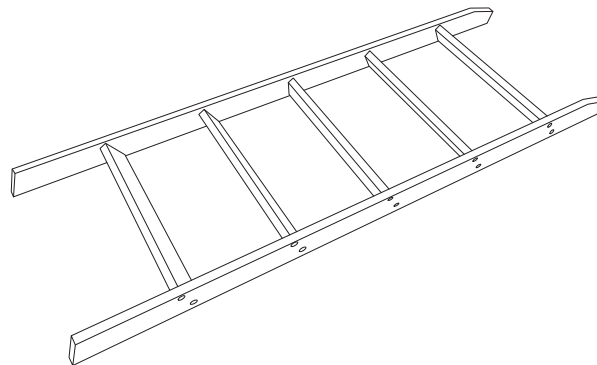
**STEP1:** PLACE SIDE RAIL ON THE GROUND. INSERT RUNG DOWELS INTO SIDE RAIL WHILE ALIGNING SCREW HOLES. RUNGS ARE DESIGNED TO BE POSITIONED AT A 45 DEGREE ANGLE.



**STEP2:** INSERT SCREWS AND TIGHTEN USING SCREWDRIVER OR DRILL. IF THE PRE-DRILLED HOLES ON THE RUNG AND RAIL DO NOT LINEUP, SWAP THE RUNG, AND PLACE IT IN A DIFFERENT LOCATION ALONG THE LADDER RAIL.



**STEP3:** INSERT RUNG DOWELS INTO SECOND SIDE RAIL. NOTE SOME RUNGS MAY NEED TO BE GENTLY MOVED TO FIT DOWEL INTO SIDE RAIL HOLE. INSERT SCREWS USING SCREWDRIVER OR DRILL.



Note: Rung dowels only assist with assembly. If a rung dowel breaks, it will not affect integrity or performance of the ladder so long as screws are inserted and tightened.

Warning: Blanket Ladder is to be used for decorative purposes only. Do not stand on or climb the Blanket Ladder. Missing parts, Questions or Suggestions? Email us.