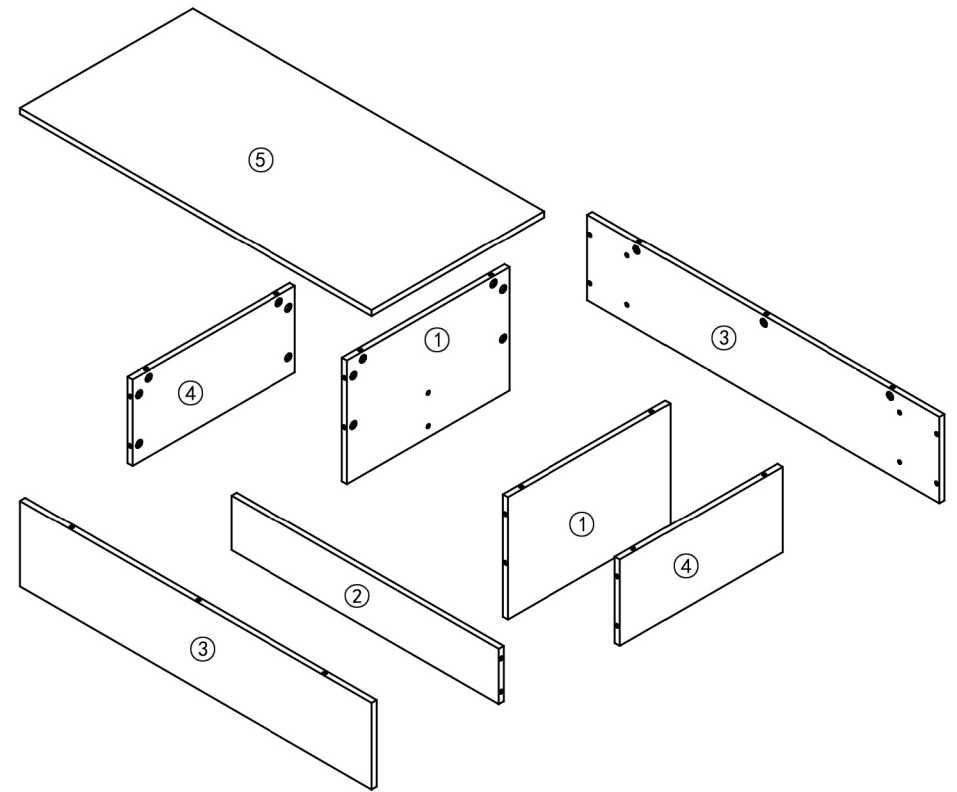
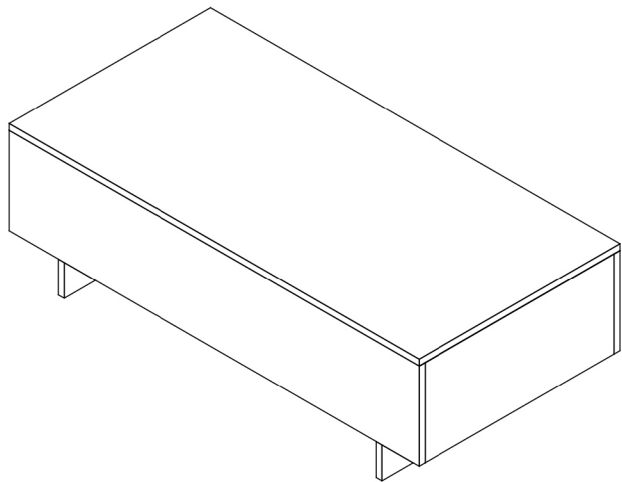


ASSEMBLY INSTRUCTION

- Please follow the instructions to assemble the items correctly.
- Please ensure the safety of the glass when assembling.
- Do not make the screws too loose or too tight.
- As shown in the figure, Insert the screw into the hole.
The arrow in the picture, Then rotate 90° or 180° clockwise.
- The accessory bag contains some small accessories, which should be kept away from children.
- The remaining parts are spare parts.
- Warm reminder white backboard please install the white side inward



A



34PCS

B

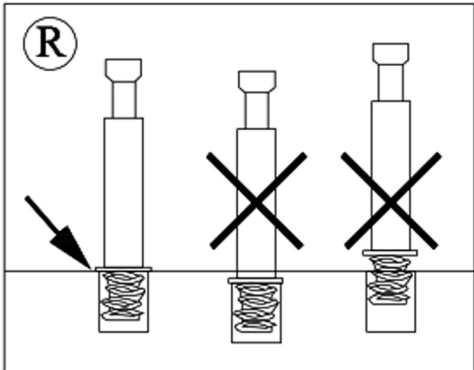
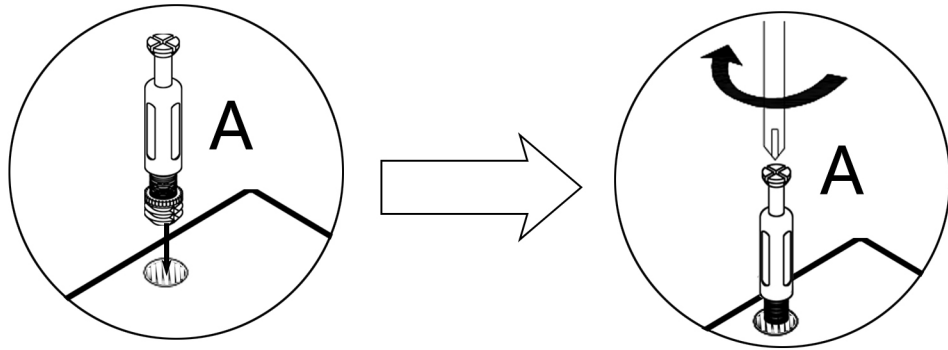


34PCS



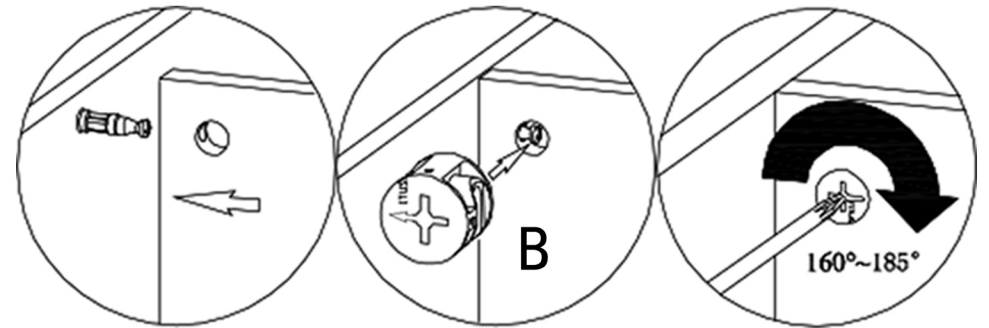
Hardware installation demonstration

- Please make sure "A" hardware tightened and can't be pulled out

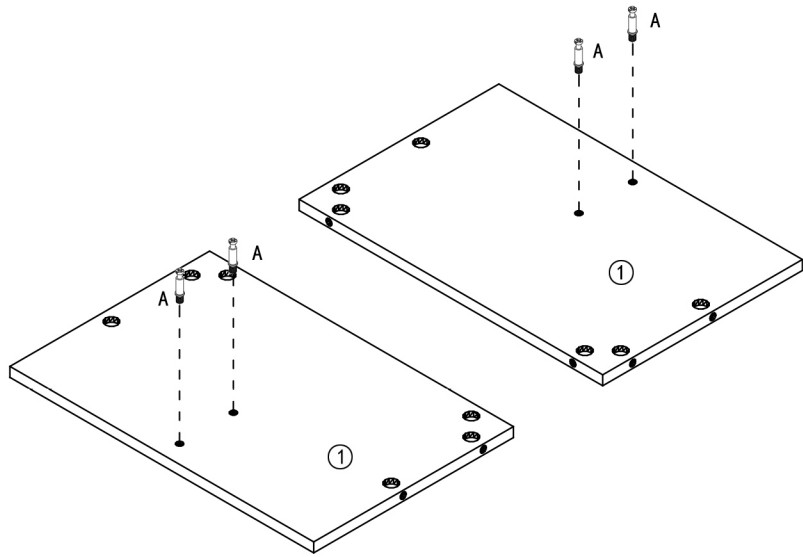


Hardware installation demonstration

- When inserting cam ensure arrowhead on cam points toward to the hole on the panel edge

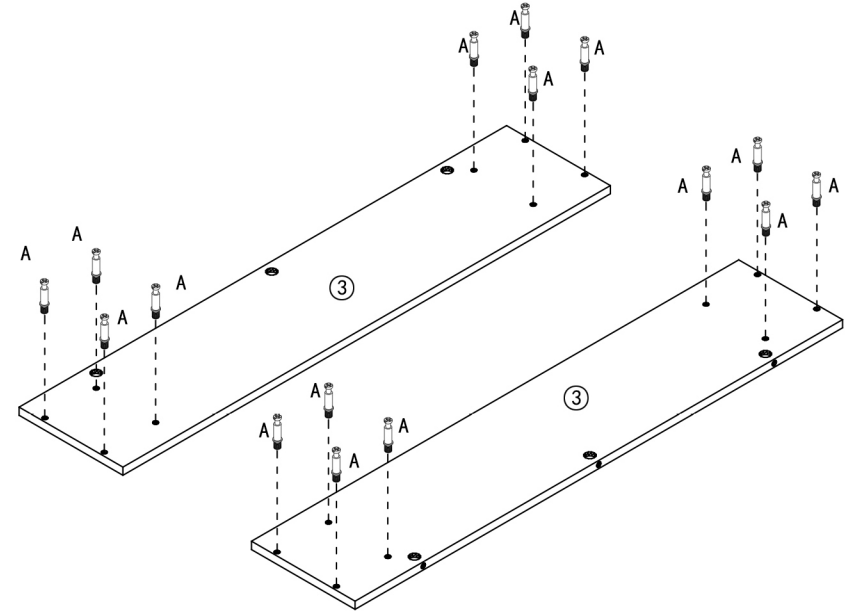


STEP 1



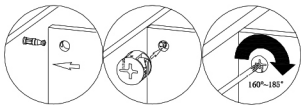
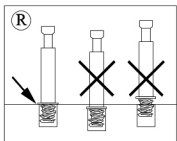
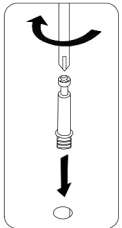
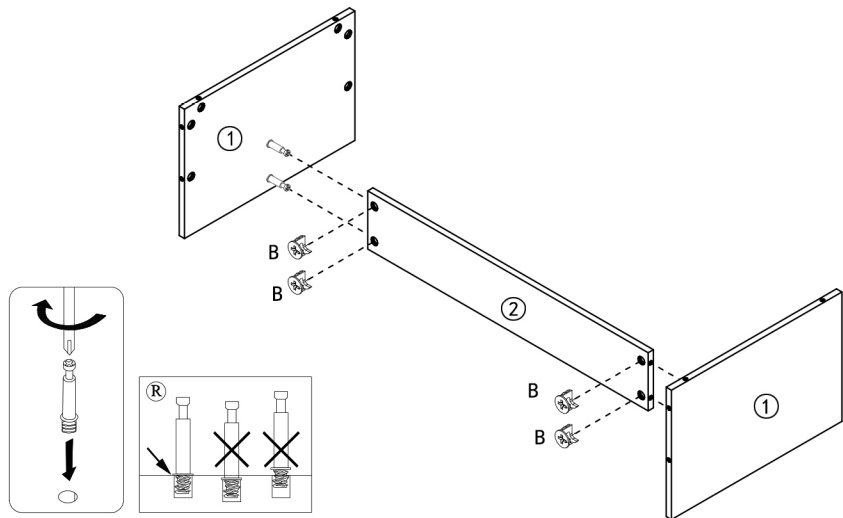
 A*4

STEP 3



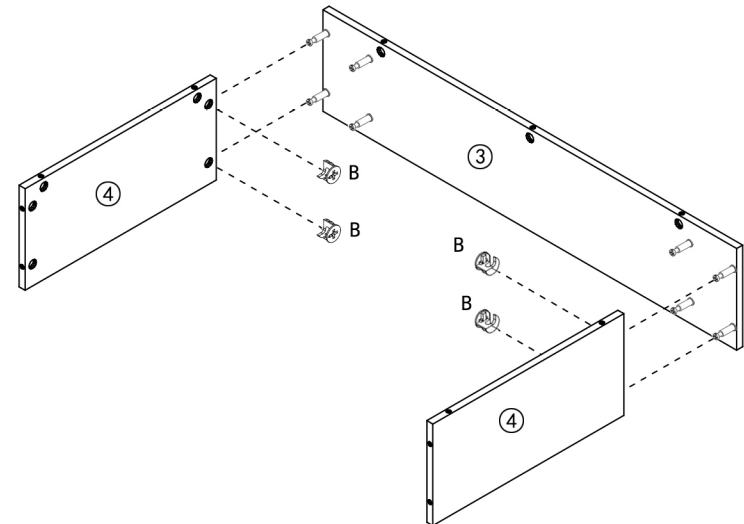
 A*16


STEP 2



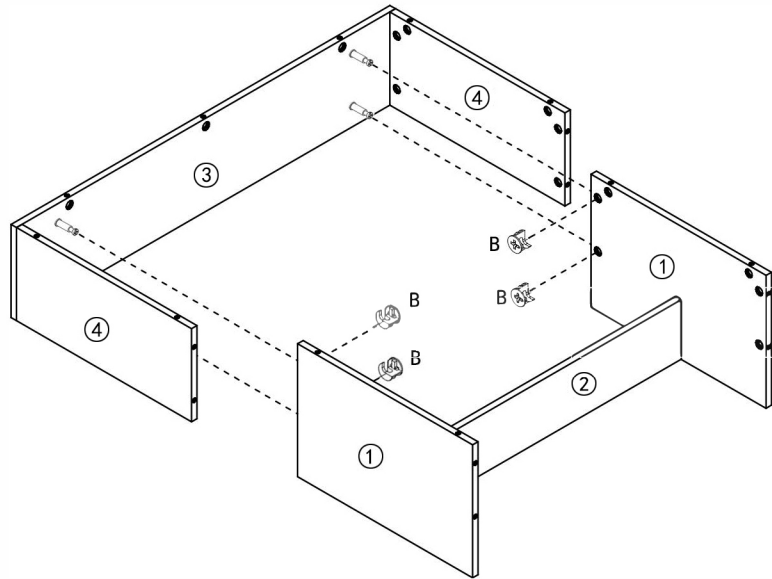
 B*4

STEP 4

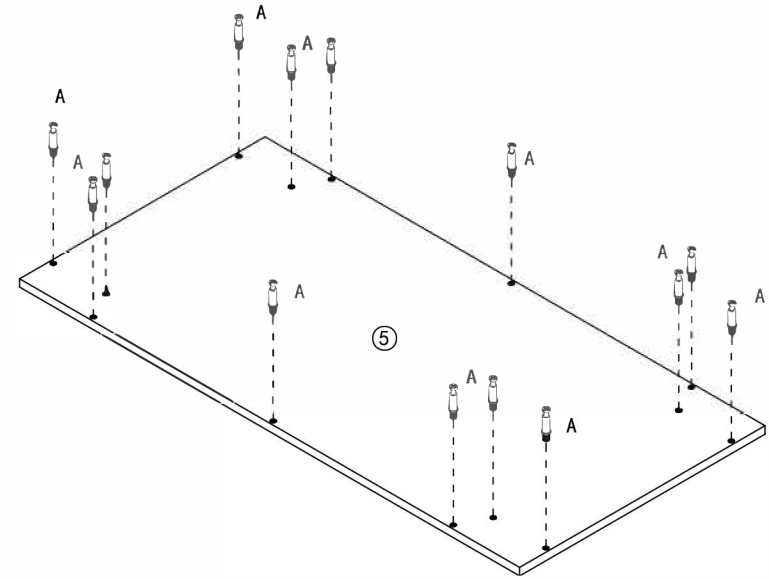


 B*4

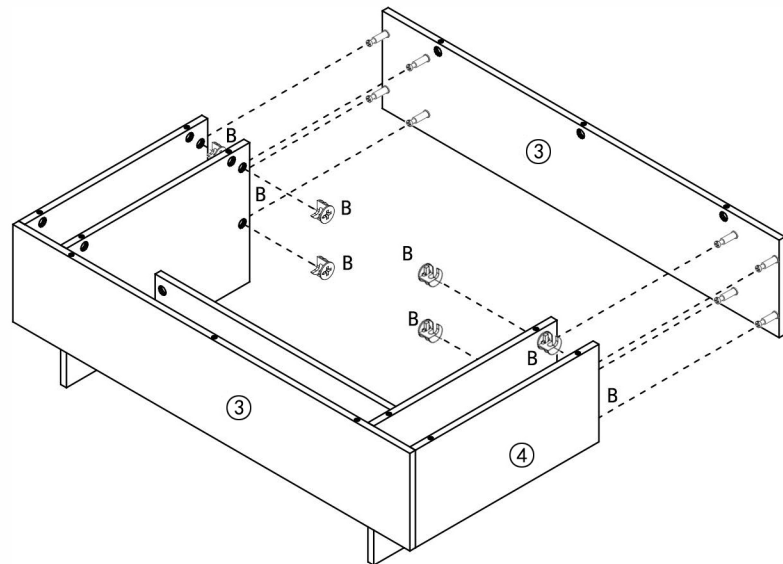
STEP 5



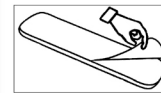
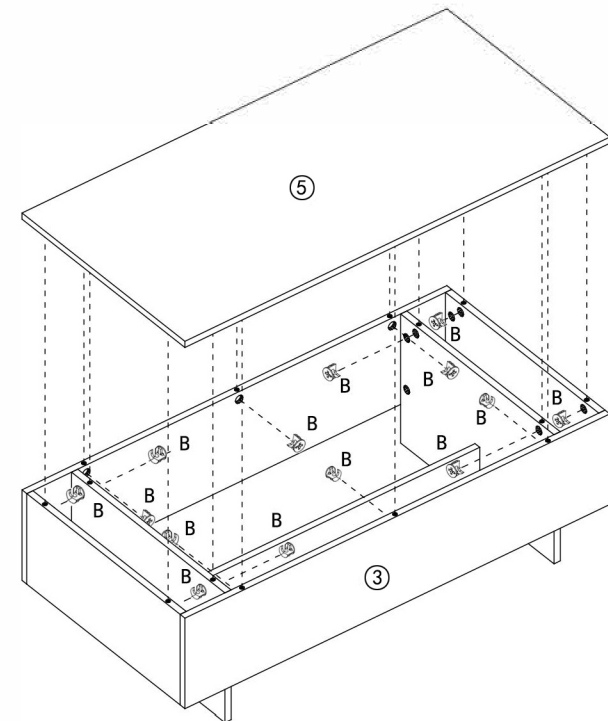
STEP 7



STEP 6



STEP 8



For the high gloss panel,
please peel off the plastic
film after assembling

