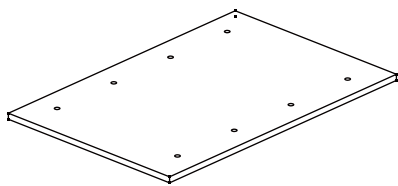


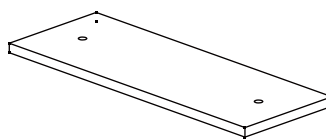
IMPORTANT, RETAIN FOR FUTURE REFERENCE: READ CAREFULLY

ASSEMBLY & INSTRUCTION MANUAL

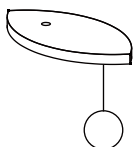
A1x1



B1x4



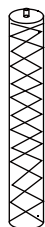
C1x1



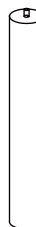
P1x1



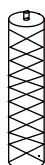
P2x1



P3x1



P4x2



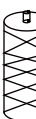
P5x1



P6x1



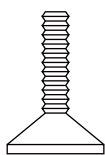
P7x1



P8x1



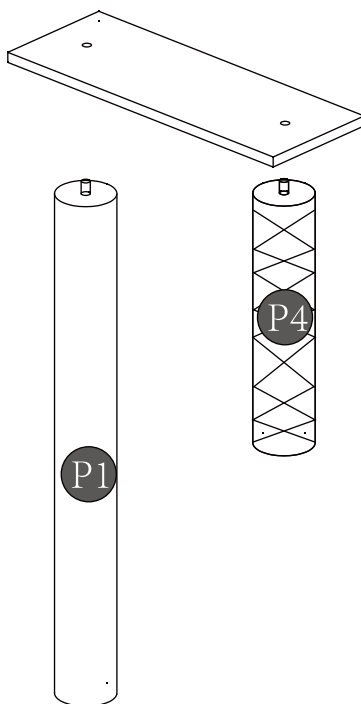
W1 x 8
M8*35



W2 x 1
M8*70



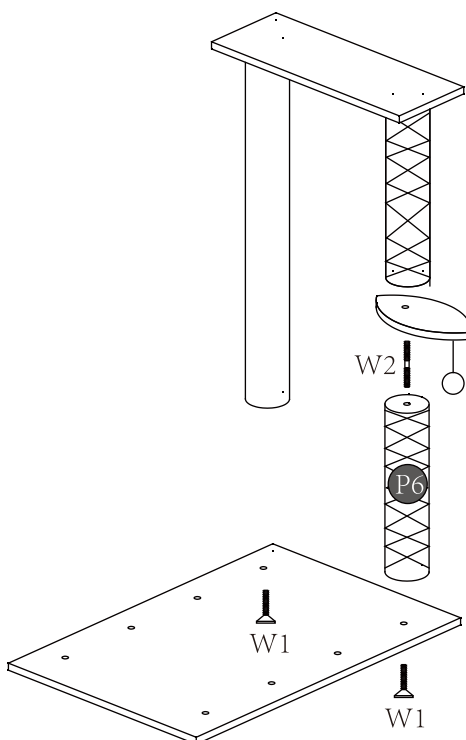
W3 x 1



W1 x 2

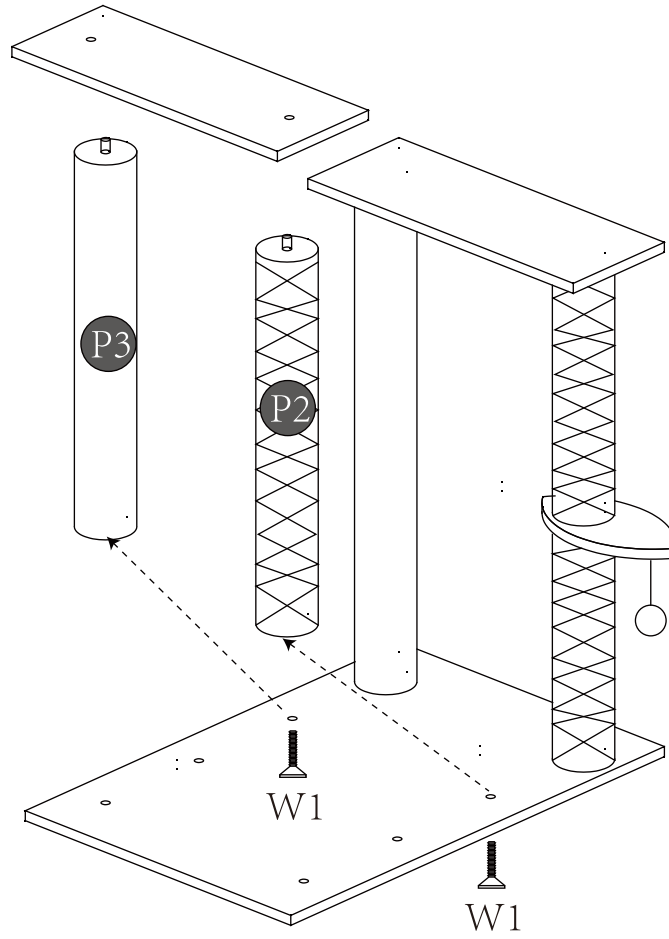


M8*35mm



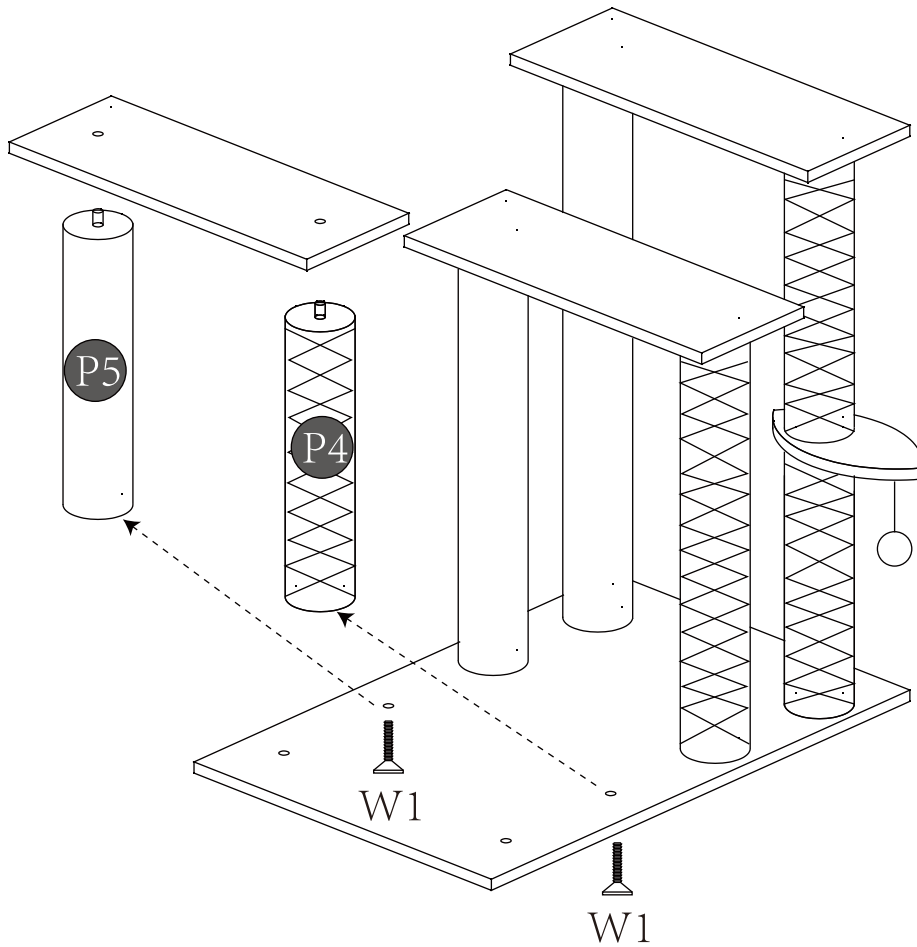
W1x2

M8*35mm



W1x2

M8*35mm



W1x2



M8*35mm

