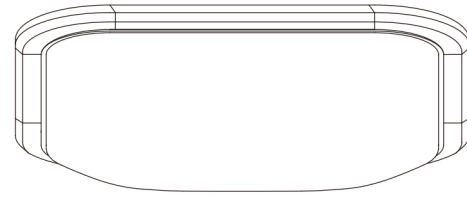


Before operating the lamp, please read this manual thoroughly and retain it for future reference.



## LED CEILING LAMP(ON/OFF) Operating Instructions

Item No.: 6249  
LED 24W 1600lm  
220-240V~ 50/60Hz



### WARNING

- 1) To avoid drop, electrical shock, must to mount the lamp with this operating instructions
- 2) To avoid drop, electrical shock, broken etc, do not change any parts of lamp personally

### NOTES ON USE

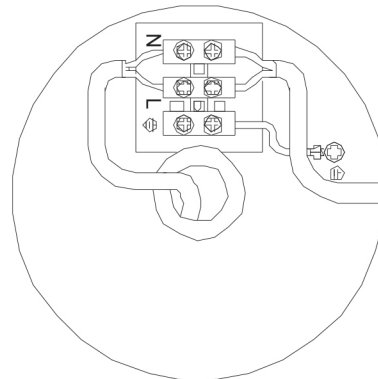
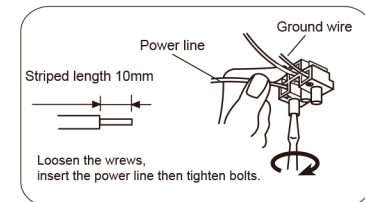
- 1) Rated voltage  $220V \pm 10\%$ , frequency 50Hz, do not exceed this voltage
- 2) Do not install at bathroom, outdoor or any moist place.
- 3) This is non-prevent water lamp, if install irrelevantly, will cause electrical shock, not light
- 4) To avoid fire, do not put the high temperature object or materials under lamp long time
- 5) To avoid fire, do not use lamp with exceed voltage long time
- 6) To avoid failure, do not connect with other dimmer or switch with dimmable function
- 7) Please shut the power supply if there are any anomaly, and contact the qualified personnel
- 8) To ensure safety, must connect ground wire when connecting power supply

Suitable wire type:

Solid wire:  $\phi 1.3 - \phi 1.78\text{mm}$

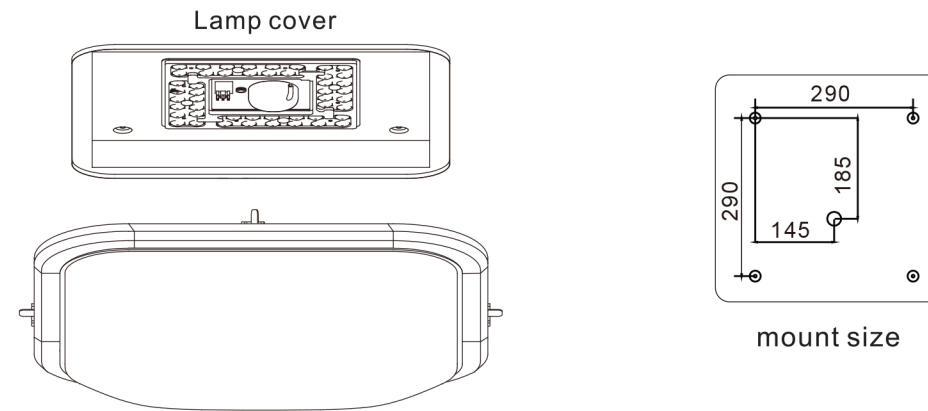
Twisted wire:  $1.0\text{mm}^2 - 4\text{mm}^2$

Skin 10mm, refer following drawing

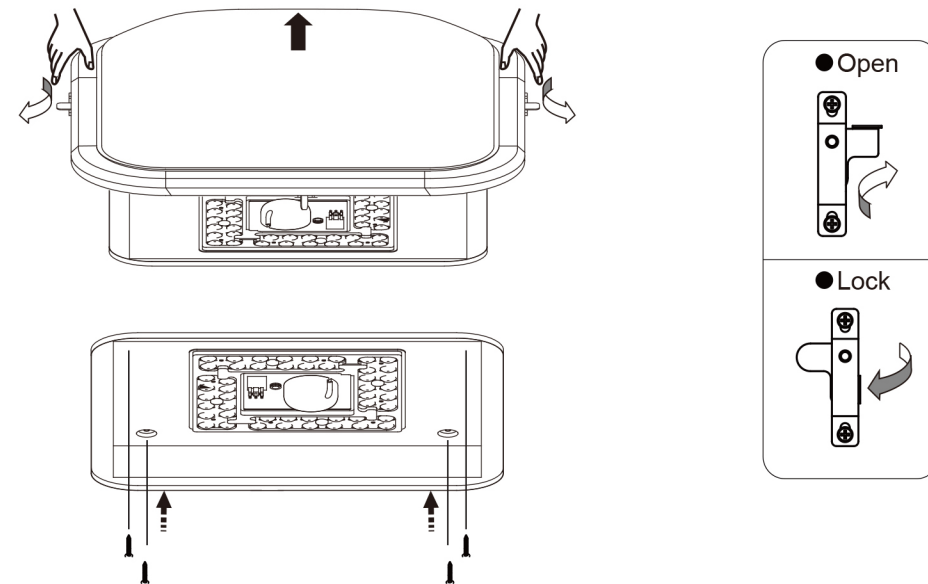


## Mounting Manual Parts name and mount methods

1. Preparing: take out the screw bag, open the lamp cover, measure the mount size, refer following drawing



2. Mounting lamp body: Dig holes on ceiling, insert the plastic screw in hole, take out lamp cover, hold up the lamp body and match the lamp body's mount holes with the ceiling holes, then tight the screw, refer following drawing



3. Connect the power supply wire: take out the lamp test line, then connect the electricity wire on the terminal block
4. Mount lamp cover: match the lamp cover's 3 feet with lamp body holes, turn the lamp cover deasil until it firmly, refer following drawing

