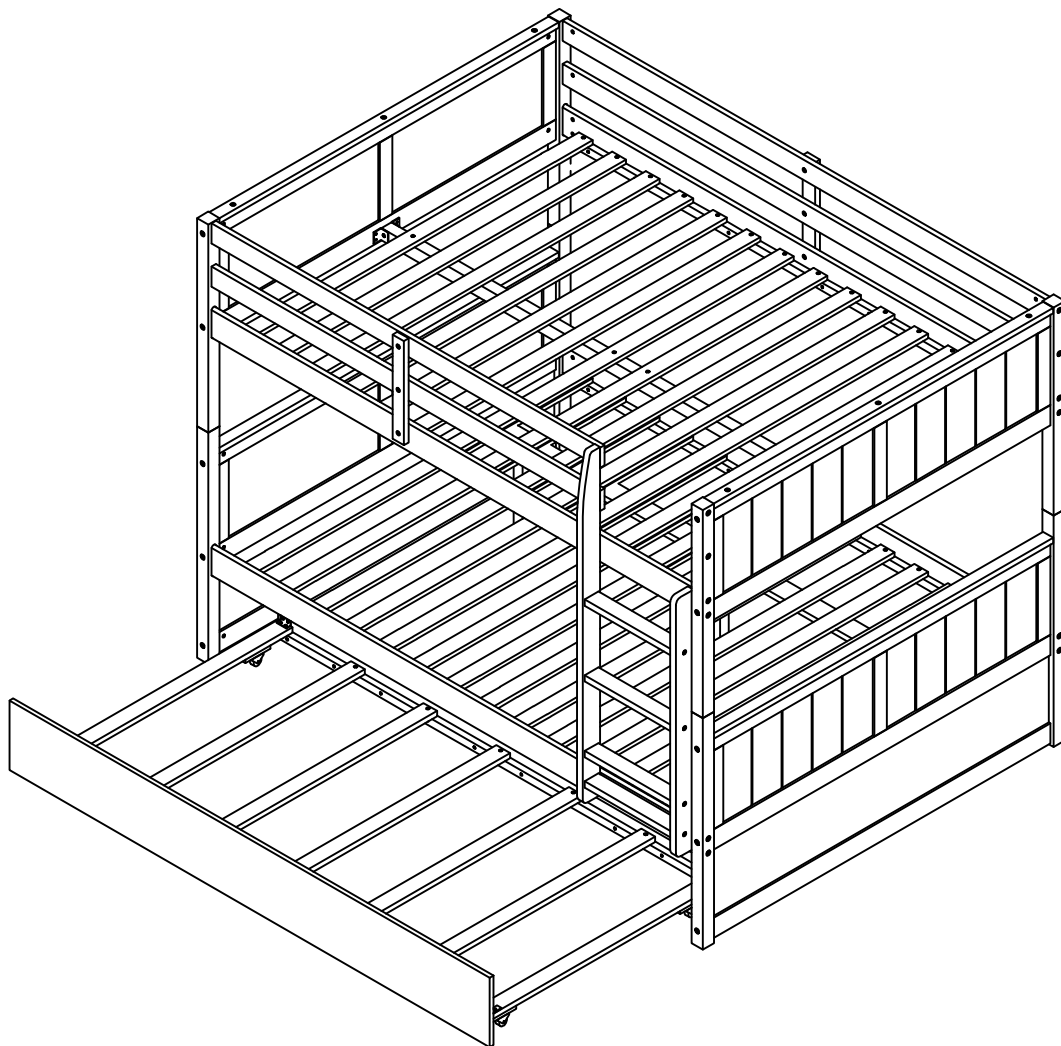


ASSEMBLY INSTRUCTIONS

FULL BUNKBED WITH TRUNDLE





SAFETY WARNING



1. This bed is designed for use only mattress (es) meeting the following specifications on the upper bunk, and lower bunk:

Upper bunk (Bunk bed and tribed included)

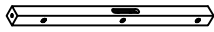
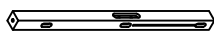




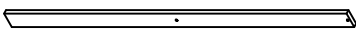
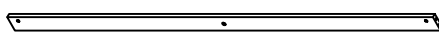
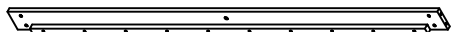
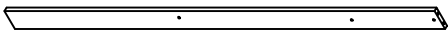




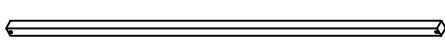
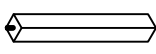

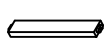


Bed type	Length	Width	Thickness
Full Standard	74"-75"	54"	6" max


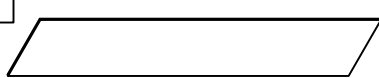
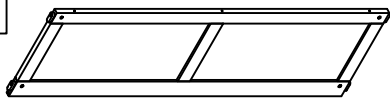


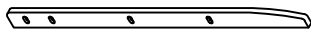
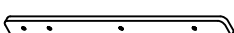
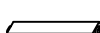
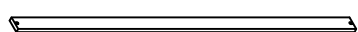
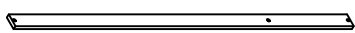
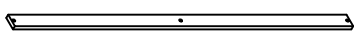
Lower bunk


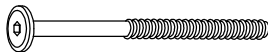
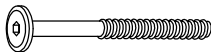
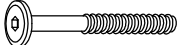




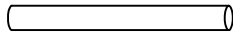
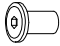
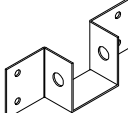

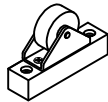
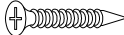



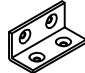
Bed type	Length	Width	Thickness
Full Standard	74"-75"	54"	8"

2. Replacement parts, including additional guardrails, maybe obtained from any of our dealers.
3. Follow the information on the warnings appearing on the upper bunk bed end structure and on the carton. Do not remove warning label from bed.
4. Always use the recommended size mattresses or mattress supports, or both, to help prevent the likelihood of entrapment or falls.
5. Surface of mattress must be at least 5" (127mm) below the upper edge of guardrails.
6. Do not allow children under 6 years of age to use the upper bunk.
7. Periodically check and ensure that the guardrail, ladder, and other components are in their proper position, free from damage, and that all connectors are tight.
8. Do not allow horseplay on or under the bed and prohibit jumping on the bed.
9. Always use the ladder for entering and leaving the upper bunk.
10. Do not use substitute part. Contact the manufacture or dealer for replacement part.
11. Use of a night light may provide added safety precaution for a child using the upper bunk.
12. Always use guardrails on both long sides of the upper bunk. If the bunk bed will be placed next to the wall, the guardrail that runs the full length of the bed should be placed against the wall to prevent entrapment between the bed and wall.
13. The use of water or sleep flotation mattresses is prohibited.
14. STRANGULATION HAZARD - Never attach or hang items to any part of the bunk bed that are not designed for use with the bed; for example, but not limited to, hook, belts and jump ropes.
15. Keep these instruction for future reference.
16. Prohibit more than one person on upper bunk
17. We recommend assembling your bunk bed on the shipping carton to protect your floor or carpet.
18. Be certain all staples are out of the box before beginning assembly on the shipping carton.

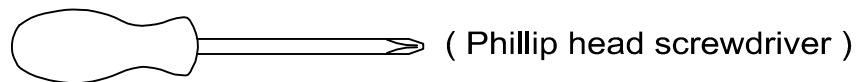
Part List

<p>A</p>  <p>Lower leg Left Front /Right Back - 2pcs</p>	<p>B</p>  <p>Lower leg Left Back/Right Front - 2pcs</p>	<p>F</p>  <p>Cap for upper HB&FB - 2pcs</p>
<p>G</p>  <p>Upper leg Left Front /Right Back-2pcs</p>	<p>G1</p>  <p>Upper leg Left Back/Right Front - 2pcs</p>	<p>I</p>  <p>Vertical guard rail - 2pcs</p>
<p>J</p>  <p>Upper Guard rail (front) - 2pcs</p>	<p>K</p>  <p>Upper Guard rail (back) - 2pcs</p>	<p>L</p>  <p>Upper side rail (back)- 1pc</p>
<p>L1</p>  <p>Upper side rail (front)- 1pc</p>	<p>L2</p>  <p>Lower side rail (back)- 1pc</p>	<p>L3</p>  <p>Lower side rail (front)- 1pc</p>
<p>M</p>  <p>Front panel side rail of trundle - 1pc</p>	<p>N</p>  <p>Back panel side rail of trundle - 1pc</p>	<p>O</p>  <p>Slat support - 1pc</p>
<p>P</p>  <p>Leg support - 3pcs</p>	<p>W</p>  <p>Lower support slat - 1pc</p>	<p>S</p>  <p>Step ladder - 1pc</p>
<p>V</p>  <p>Trundle Slats - 5pcs</p>	<p>V1</p>  <p>Trundle Slats - 2pcs</p>	

<p>C</p>  <p>Horizontal bar - 2pcs</p>	<p>D</p>  <p>Lower Side panel - 2pcs</p>	<p>E</p>  <p>Lower HB&FB - (2pcs)</p>
<p>F</p>  <p>Cap for lower HB&FB - 2pcs</p>	<p>H</p>  <p>Upper HB&FB - (2pcs)</p>	<p>Q</p>  <p>Left side ladder - 1pc</p>
<p>R</p>  <p>Right side ladder - 1pc</p>	<p>S</p>  <p>Step ladder - 3pcs</p>	<p>T</p>  <p>Slats - 20pcs</p>
<p>U1</p>  <p>Lower slats - 4pcs</p>	<p>U</p>  <p>Upper slats - 4pcs</p>	

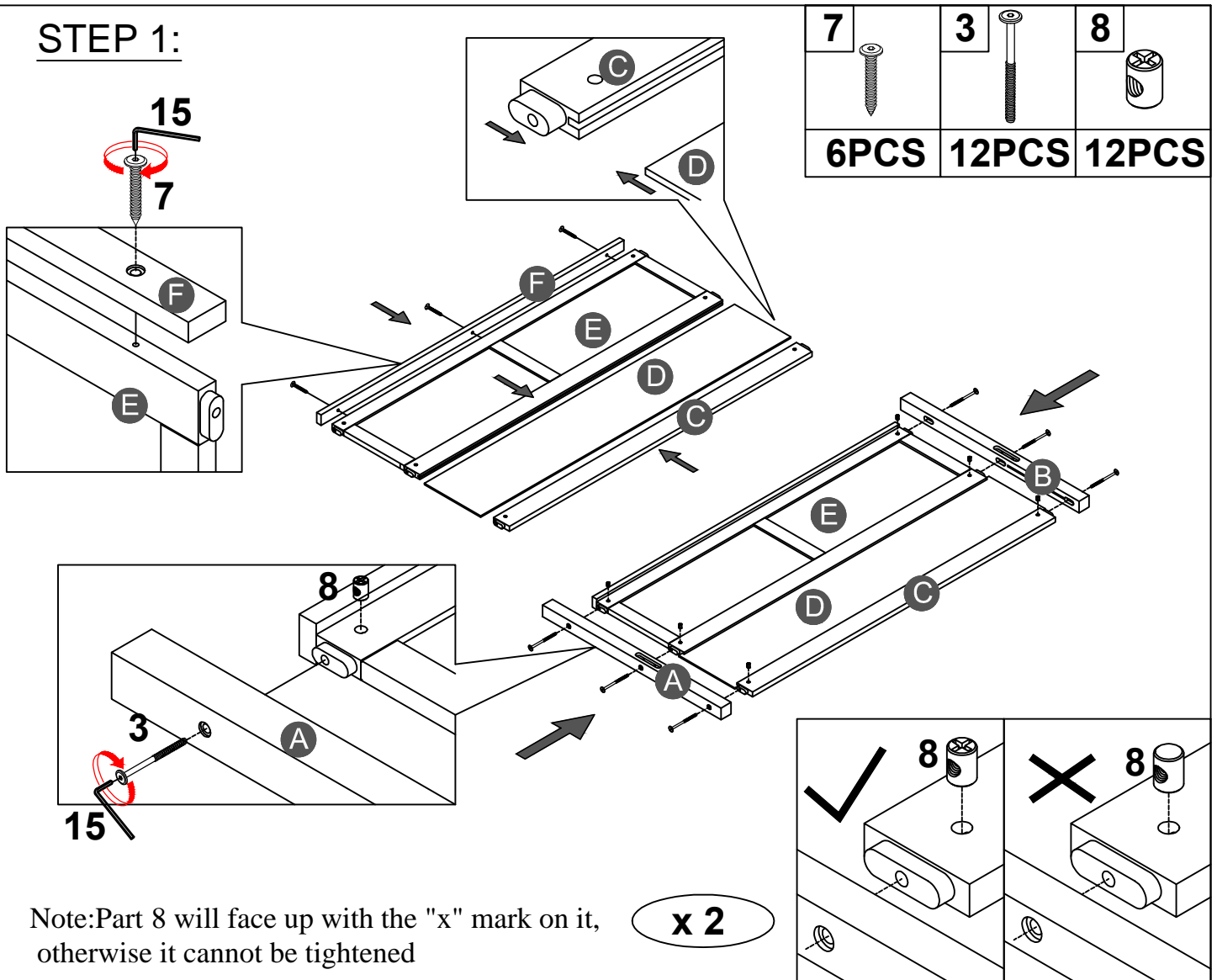
1	 Ø10*40mm Wood dowel (6pcs)	2	 (Ø15)1/4"*100mm Hex-Head bolts (22pcs)	3	 (Ø15)1/4"*80mm Hex-Head bolts (20pcs)
4	 (Ø12)1/4"*60mm Hex-Head bolts (8pcs)	5	 (Ø12)1/4"*40mm Hex-Head bolts (8pcs)	6	 (Ø12)1/4"*30mm Hex-Head bolts (6pcs)
7	 (Ø12)1/4"*40mm Hex-Head bolts (12pcs)	8	 1/4"*15 (9.5mm) Horizontal-Hole bolts(50pcs)	9	 Ø9*90mm Connecting bar (4pcs)
10	 (Ø13)1/4" x 9/16" Hex Cap (2pcs)	11	 116*40*27mm Hooks (2pcs)	12	 Ø3.5*15mm Wood screws (8pcs)
13	 100*63*20mm Wheels (4pcs)	14	 Ø4*30mm Wood screws (86pcs)	15	 (1/4")4.5*58mm Allen key (2pcs)
16	 95*95*18*3mm Metal bracket (2pcs)	17	 Ø3.5*15mm Wood screws (16pcs)	18	 40*18*18*2mm Metal bracket (2pcs)

ASSEMBLY TOOLS REQUIRED (NOT INCLUDED)

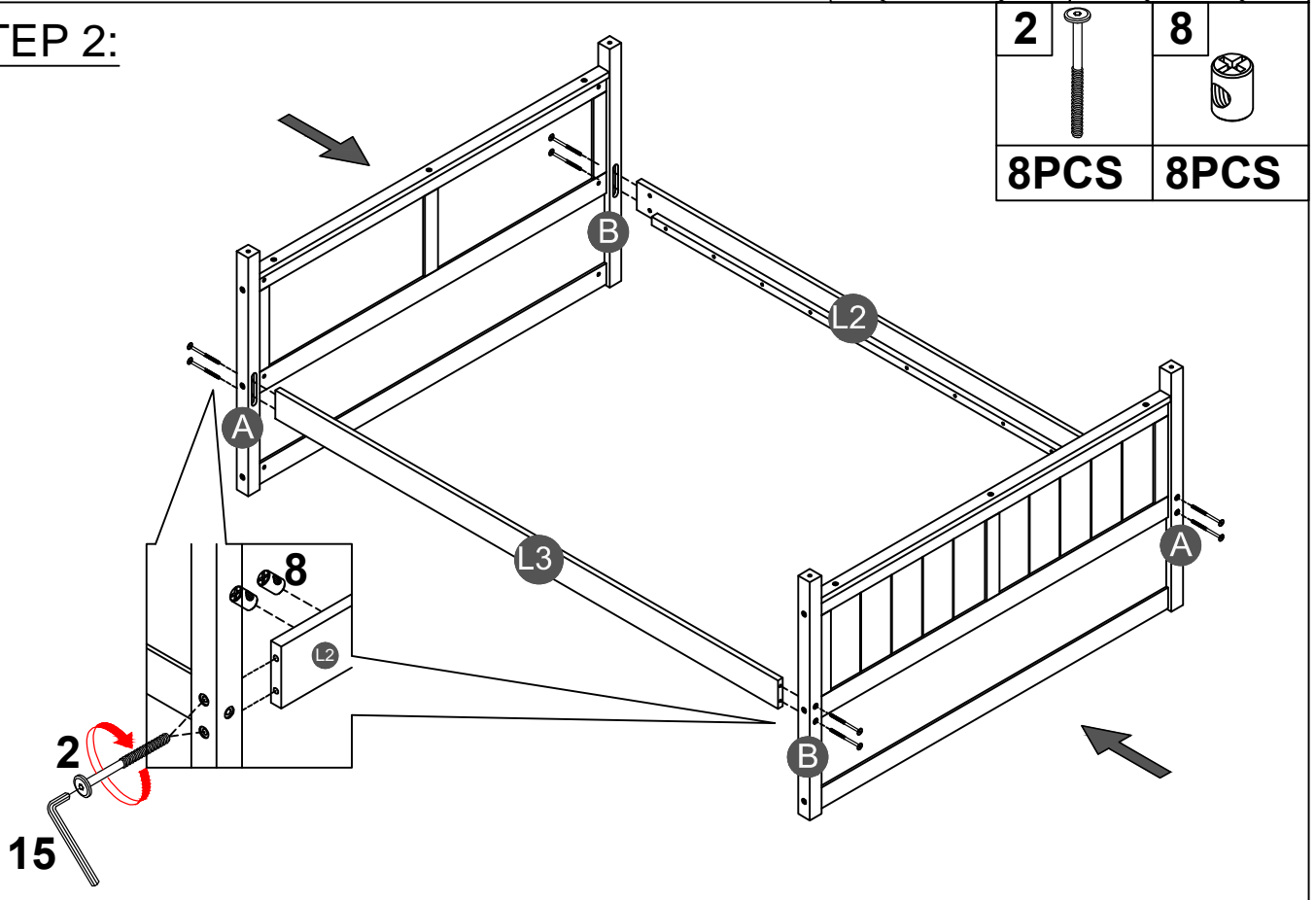


DO NOT USE POWER TOOLS TO ASSEMBLE THIS PRODUCT !

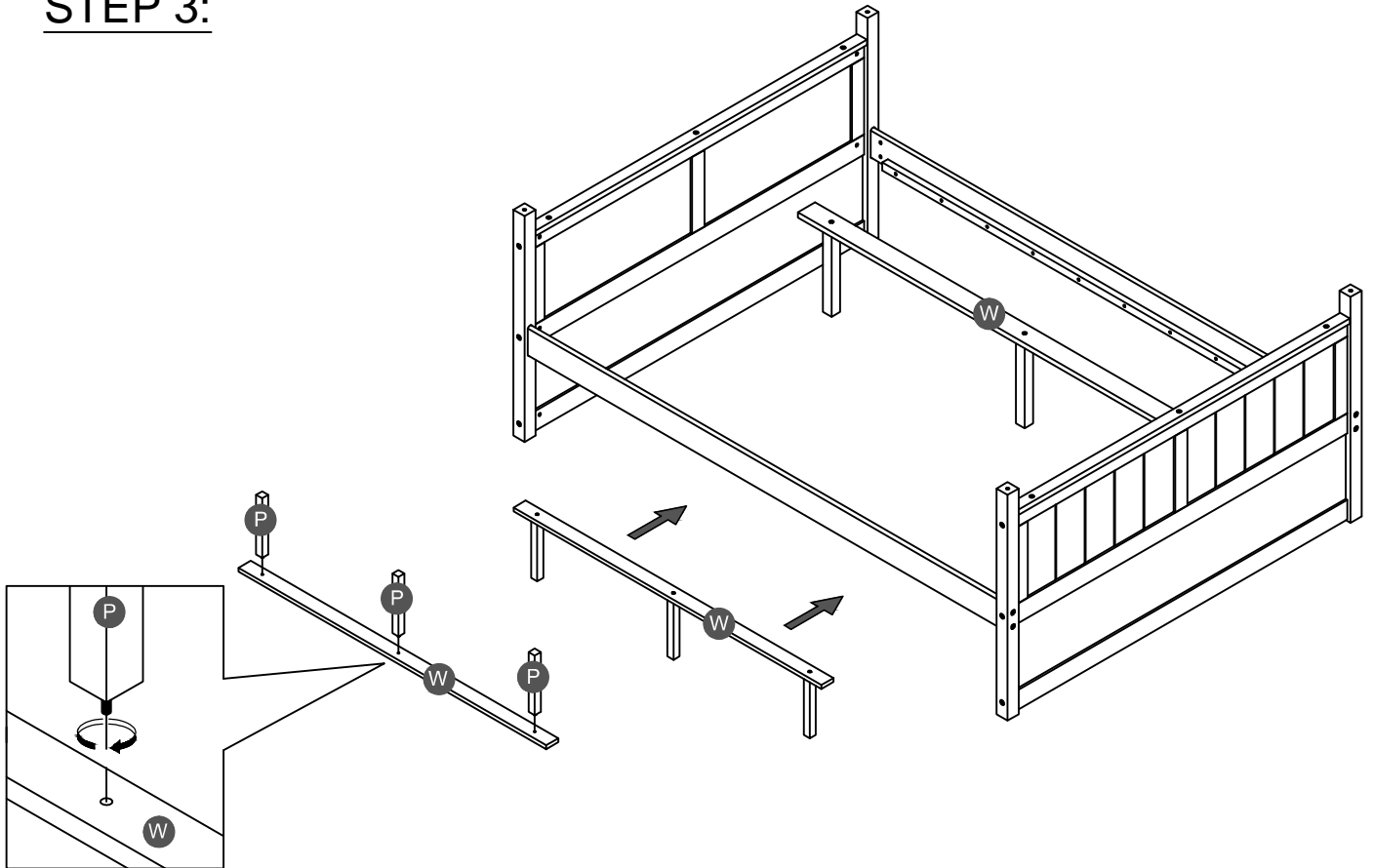
STEP 1:



STEP 2:

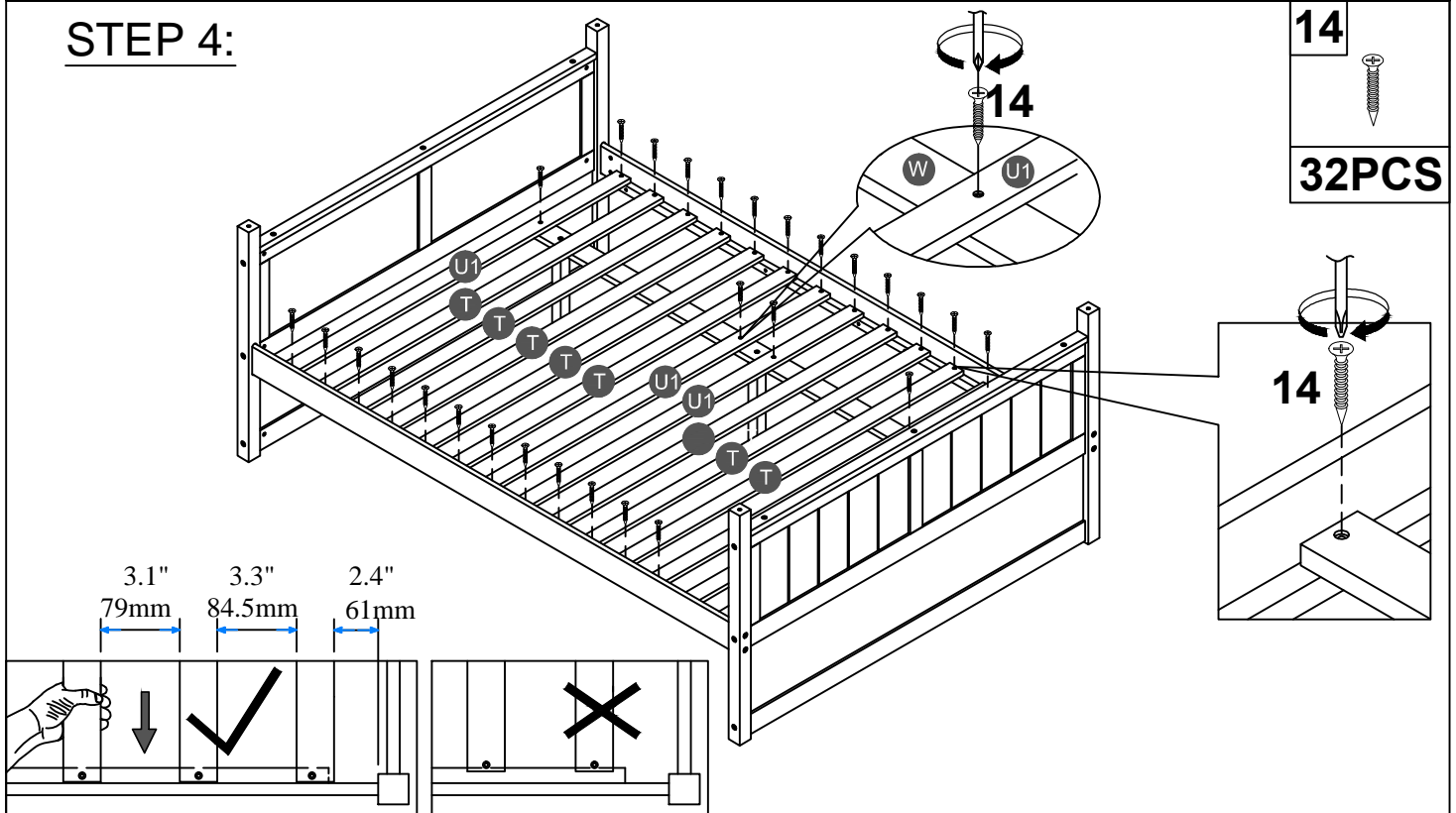


STEP 3:



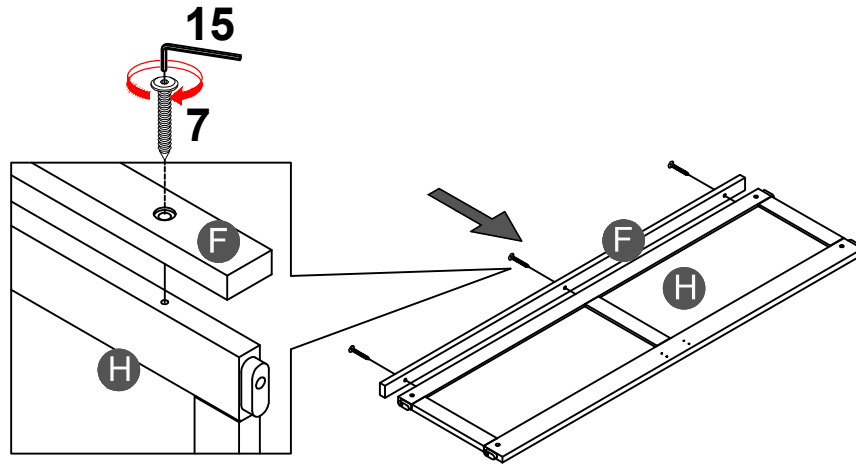
Assembling leg support (P) with lower support slat (W) later rotate, Move support slat inside Full bunkbed.

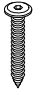
STEP 4:



Note: Do not lock the screws of the bed slats to the outermost edge of the bed slats, you need to leave a certain space at the edges, otherwise it will cause the board to break. Do not lock the bed slats on the edge of the wood, please hold firmly before screwing, hold it in place with one hand, then lock the screw.

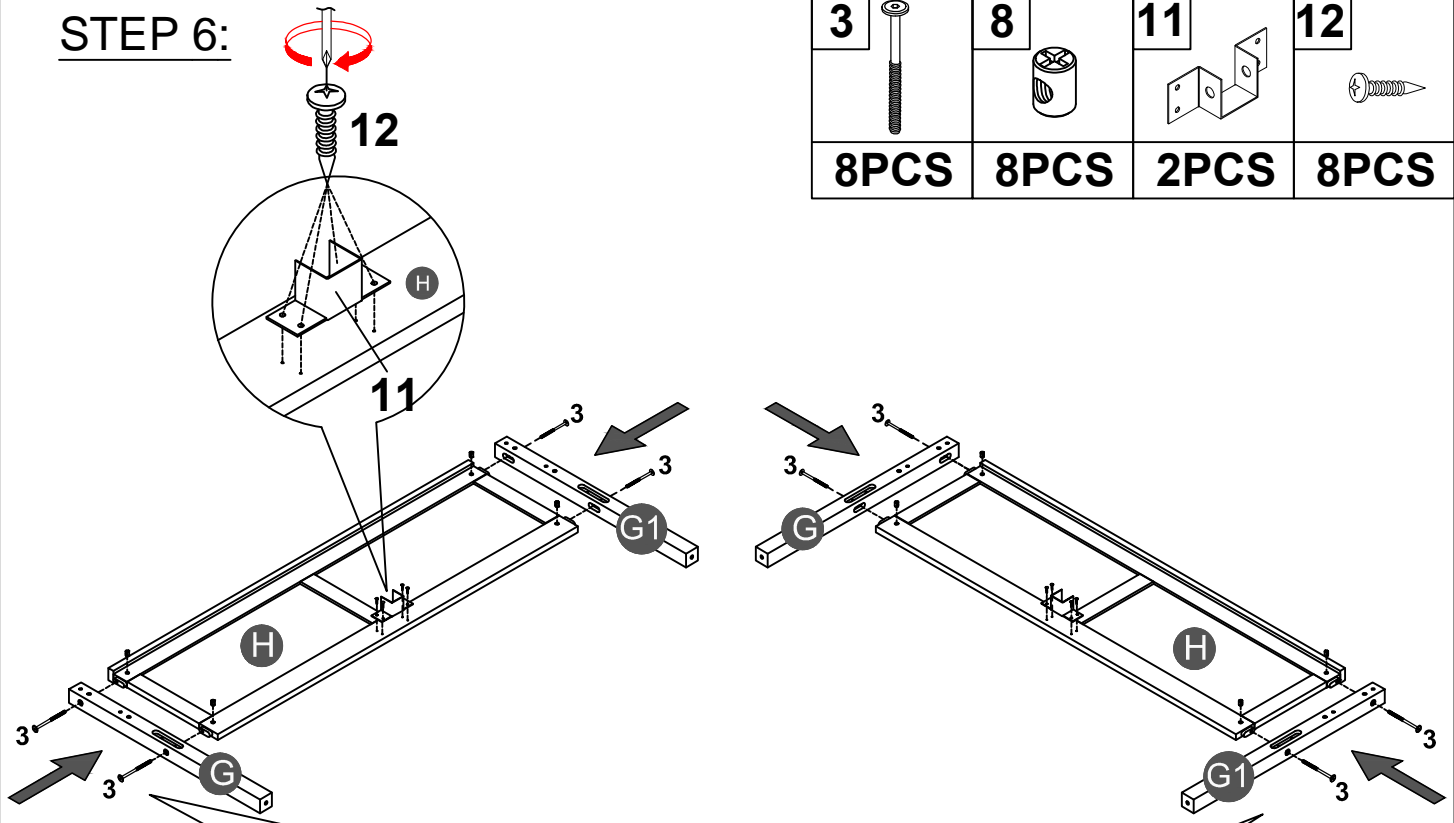
STEP 5:



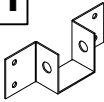



7	
6PCS	

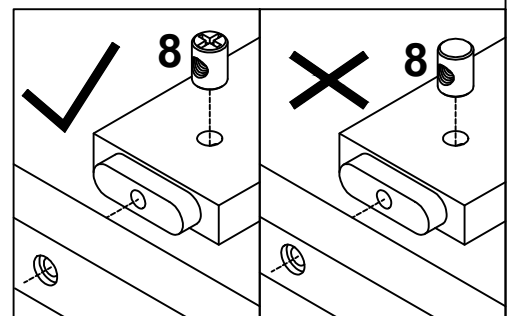
x 2

STEP 6:

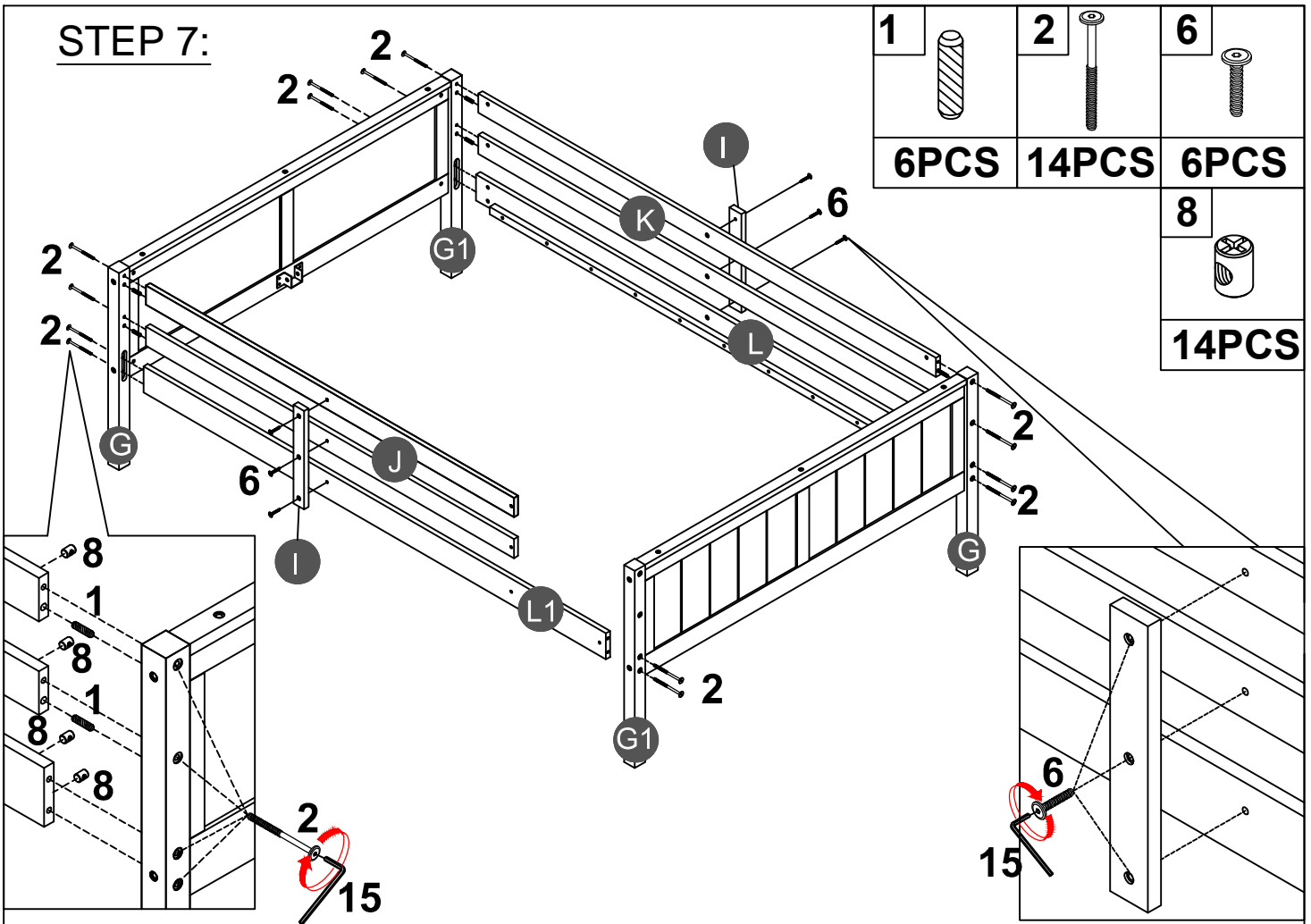


3		8		11		12	
8PCS		8PCS		2PCS		8PCS	

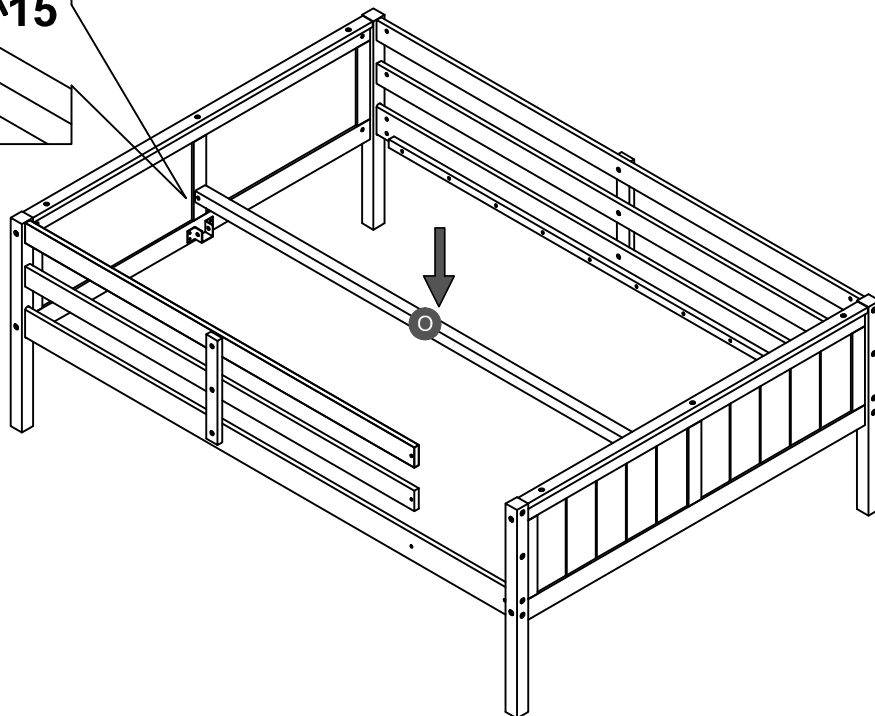
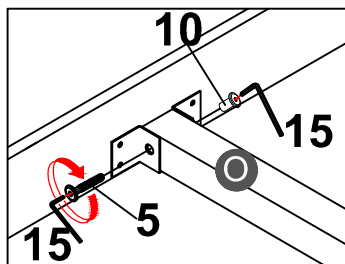
Note: Part 8 will face up with the "x" mark on it, otherwise it cannot be tightened


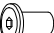


STEP 7:



STEP 8:



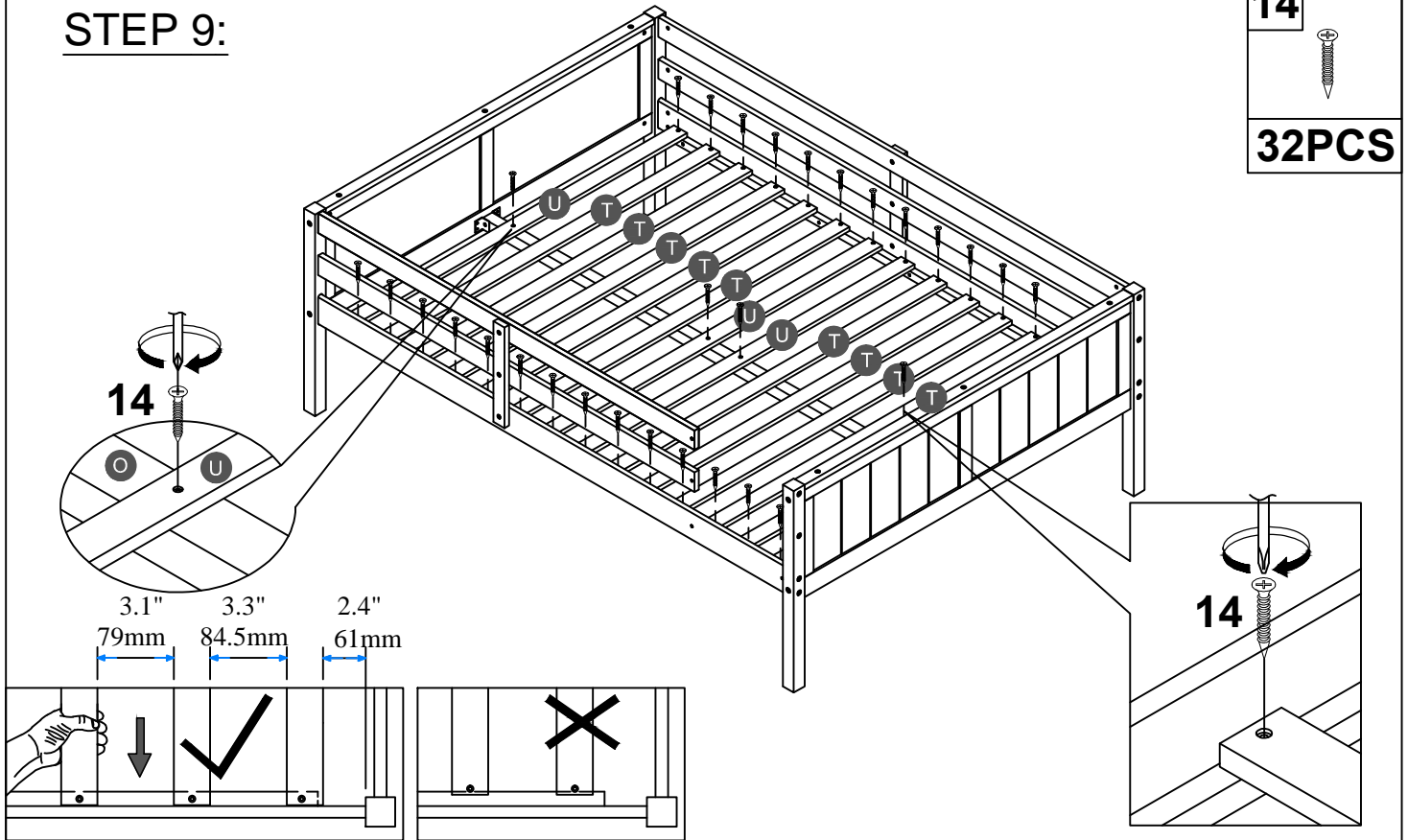
5		10	
2PCS		2PCS	

STEP 9:

14



32PCS



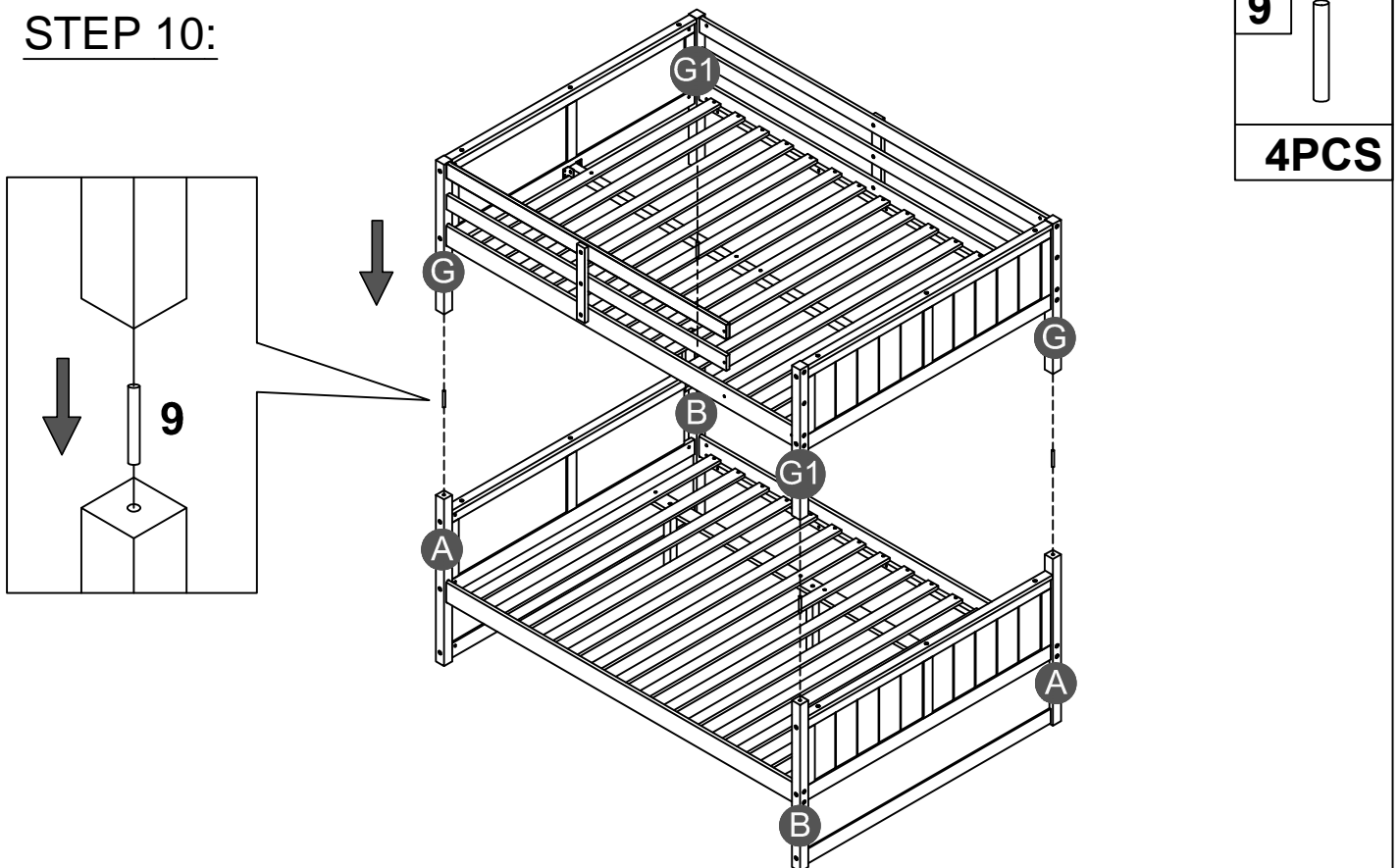
Note: Do not lock the screws of the bed slats to the outermost edge of the bed slats, you need to leave a certain space at the edges, otherwise it will cause the board to break. Do not lock the bed slats on the edge of the wood, please hold firmly before screwing, hold it in place with one hand, then lock the screw.

STEP 10:

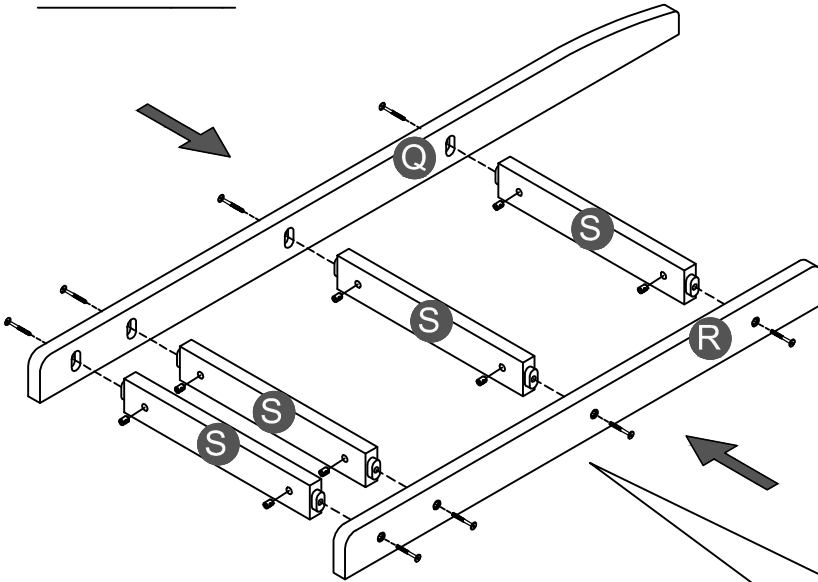
9





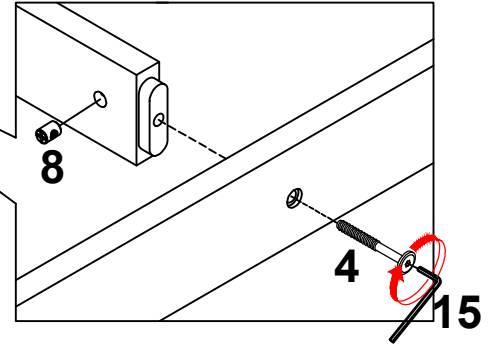
4PCS



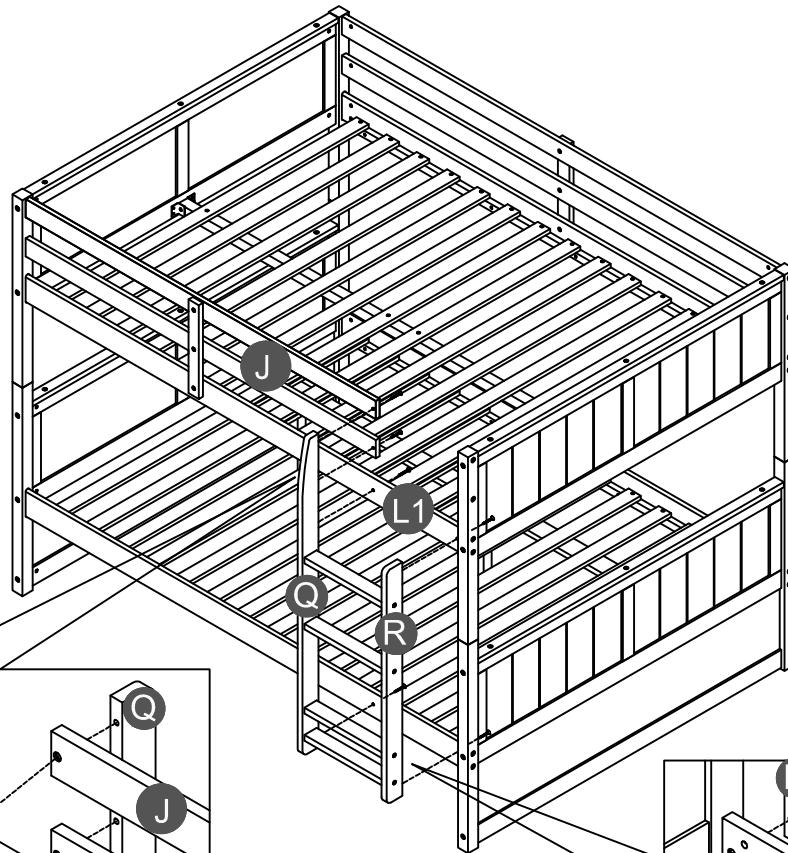
STEP 11:




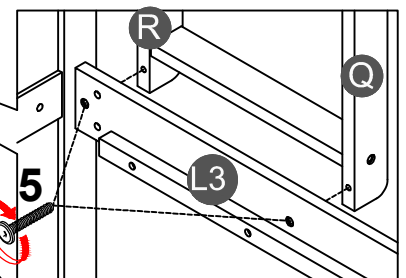
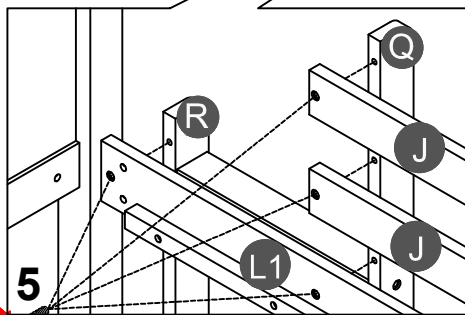
4		8	
8PCS		8PCS	



STEP 12:



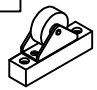

5	
6PCS	

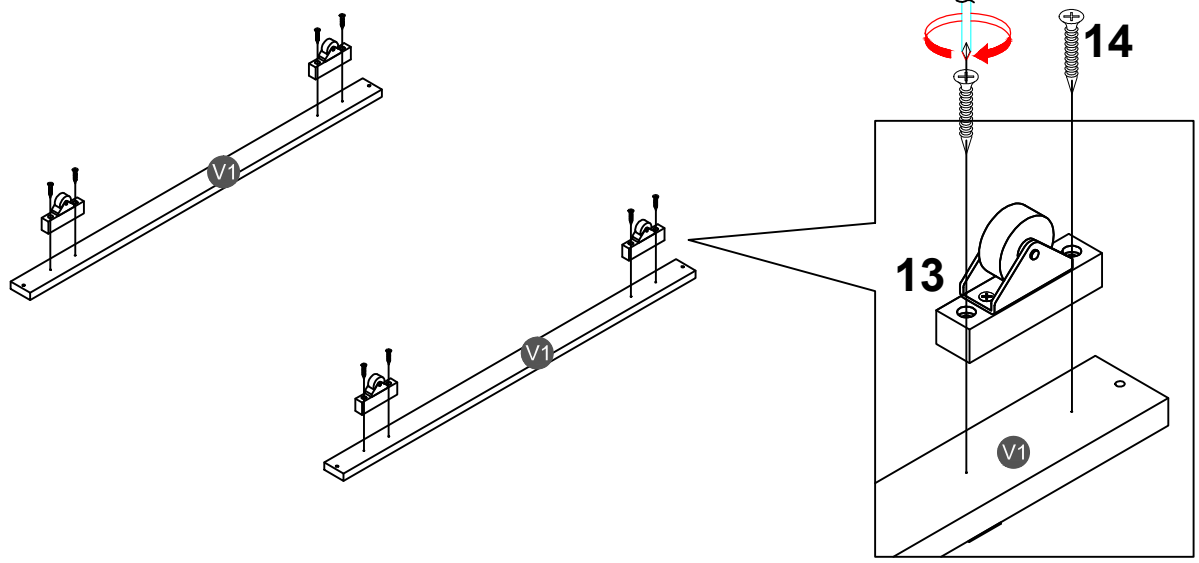


15


15

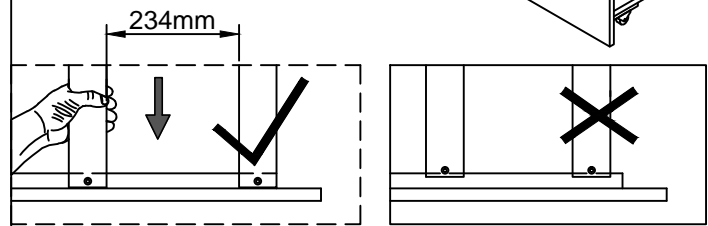
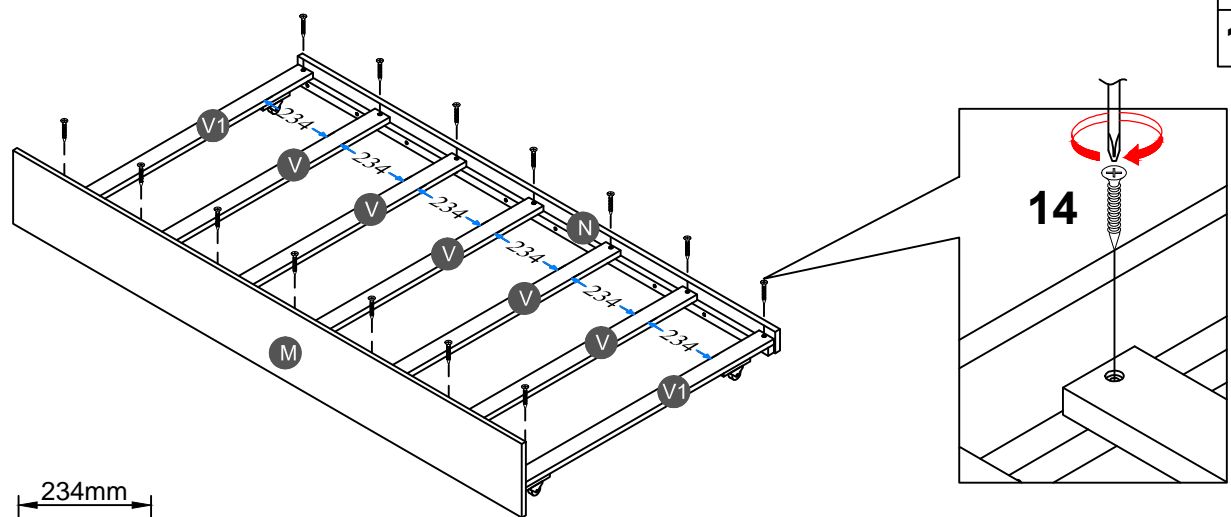
STEP 13:

13	14
	
4PCS	8PCS



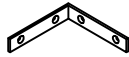
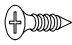
STEP 14:

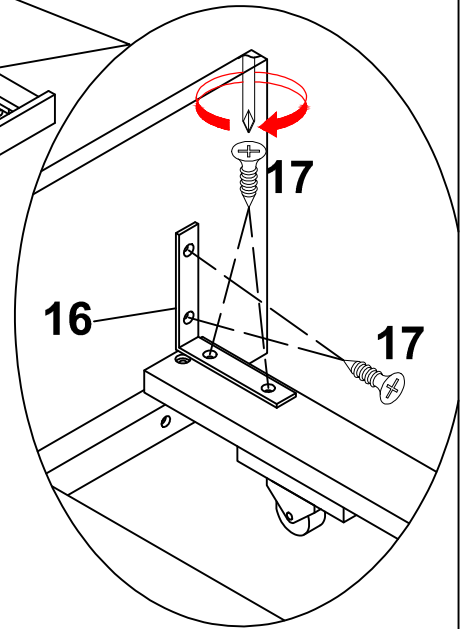
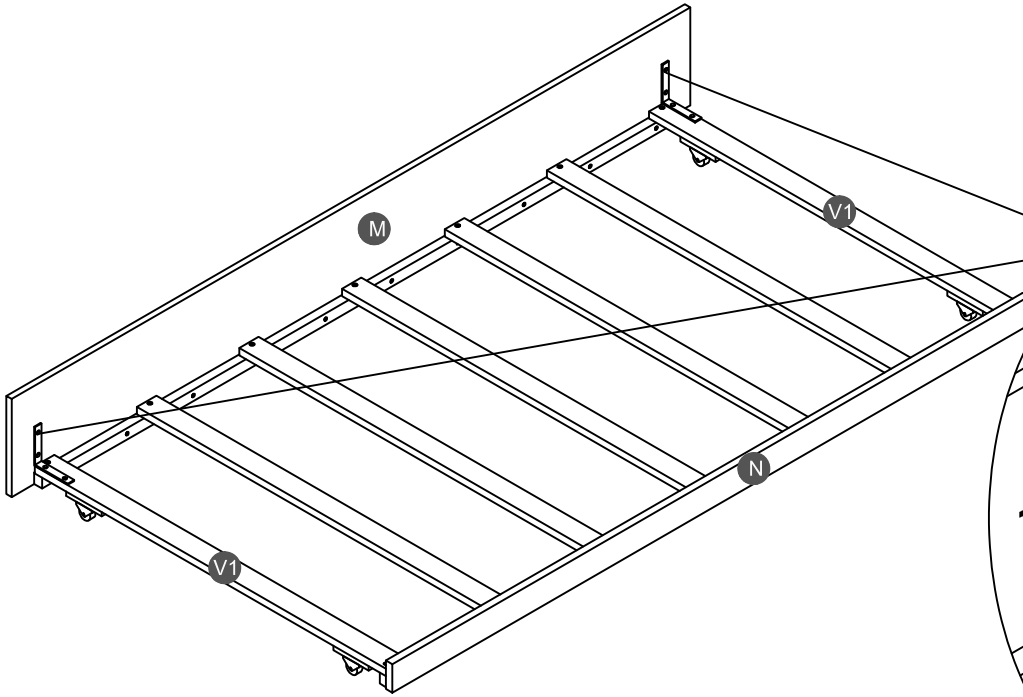
14

14PCS



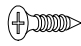
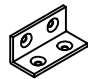
Note: Do not lock the screws of the bed slats to the outermost edge of the bed slats, you need to leave a certain space at the edges, otherwise it will cause the board to break.
 Do not lock the bed slats on the edge of the wood, please hold firmly before screwing, hold it in place with one hand, then lock the screw.

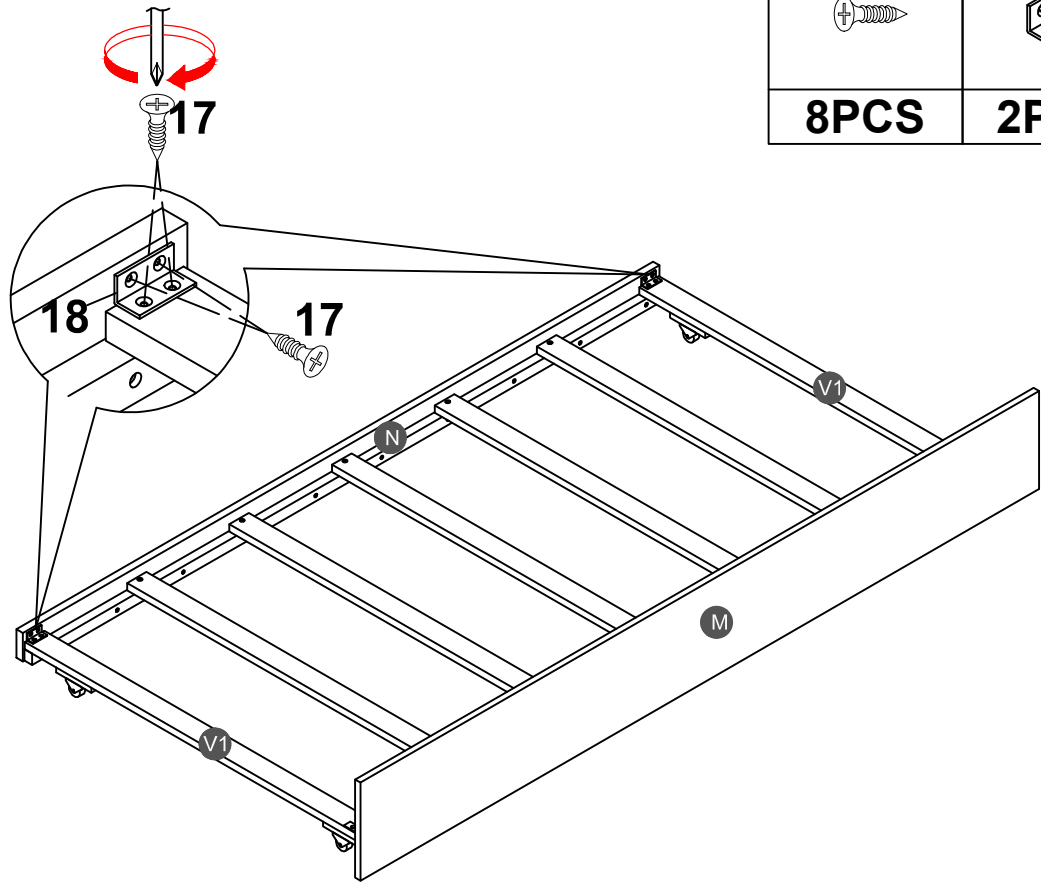
STEP 15:

16	17
	
2PCS	8PCS

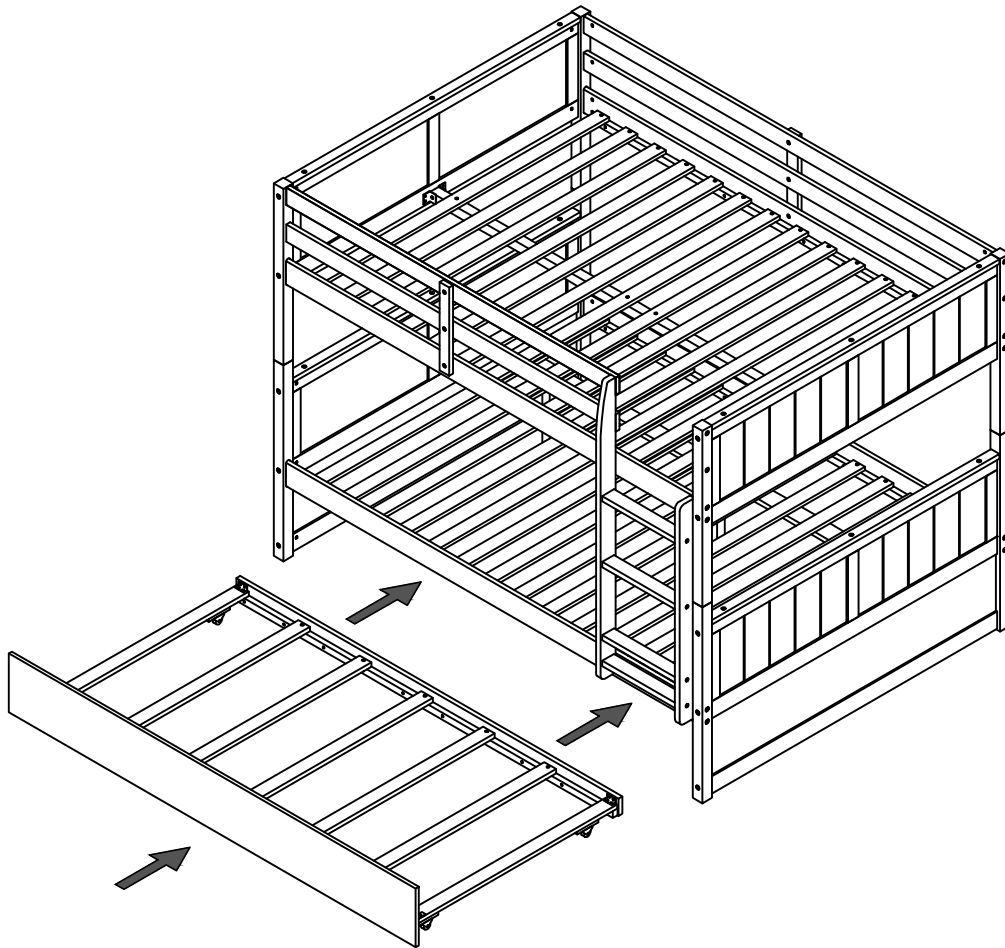


STEP 16:

17	18
	
8PCS	2PCS



STEP 17:



Push Trundle under the bottom of Bunkbed.

