

RVF5334

BATHTUB FAUCET

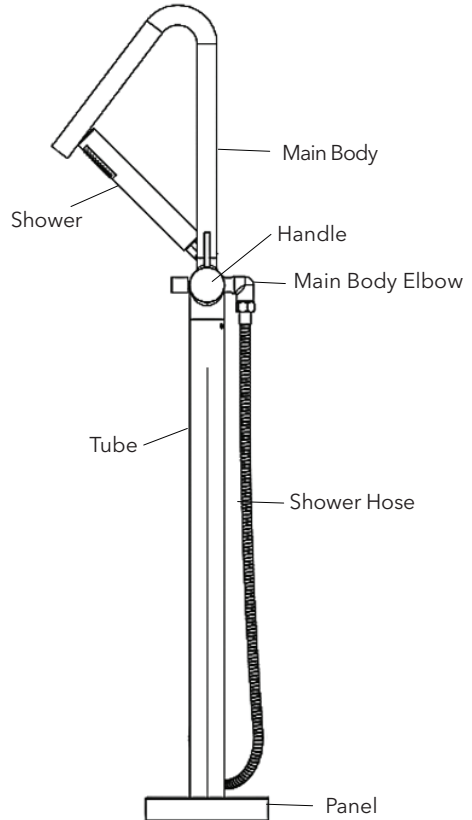
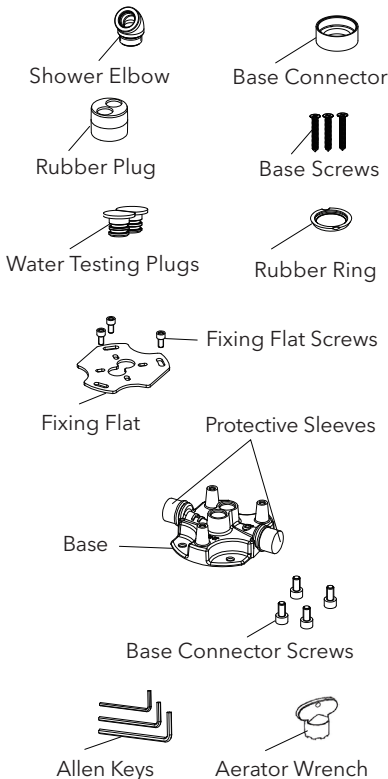
RUVATI[®]
SPECIFICATION SHEET

FEATURES

- Ceramic cartridge
- Solid brass construction
- Pull-out spray head with multi-function feature
- Floor-mounted installation



IN THE BOX



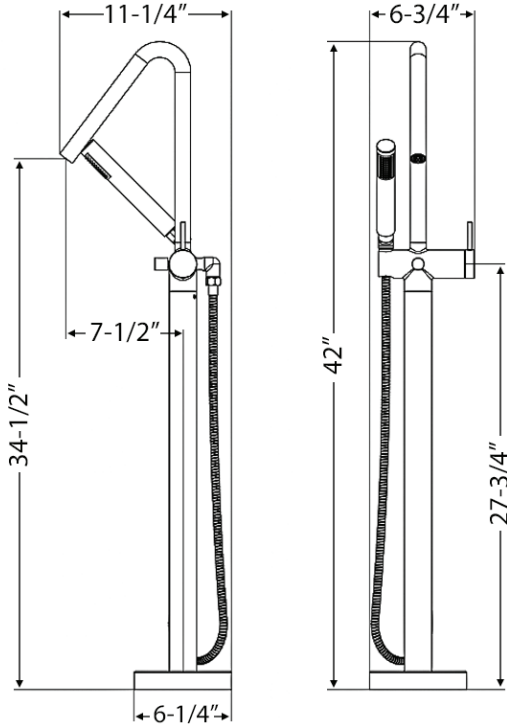
RUVATI USA
WWW.RUVATI.COM

COLOR OPTIONS

- Brushed Nickel (BN)

DIMENSIONS

- Overall Height: 42"
- Spout Height: 34-1/2"
- Spout Reach: 7-1/2"



C



ADA
Americans with
Disabilities Act

CODES / STANDARDS

CUPC CERTIFIED BY IAPMO
ASME A112.18.1/CSA B125.1
NSF/ANSI/CAN 61 & 372

ADA COMPLIANT
CALIFORNIA ENERGY COMMISSION
(CEC) AND CALGREEN, EPA WATERSENSE



SCAN TO REGISTER OR VISIT
WWW.RUVATI.COM/REGISTER

RUVATI USA

WWW.RUVATI.COM

PHONE: 1.855.478.8284
EMAIL: SUPPORT@RUVATI.COM