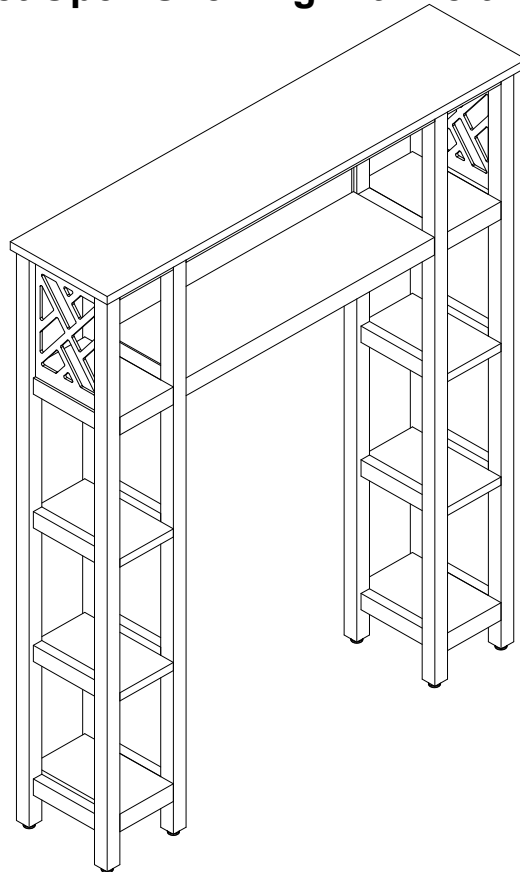


# ASSEMBLY INSTRUCTIONS


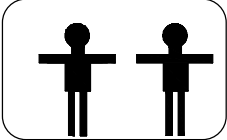

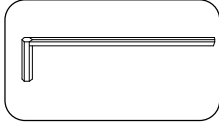
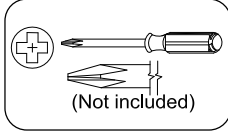
## Over Toilet Open Shelving with Left/Right Shelving



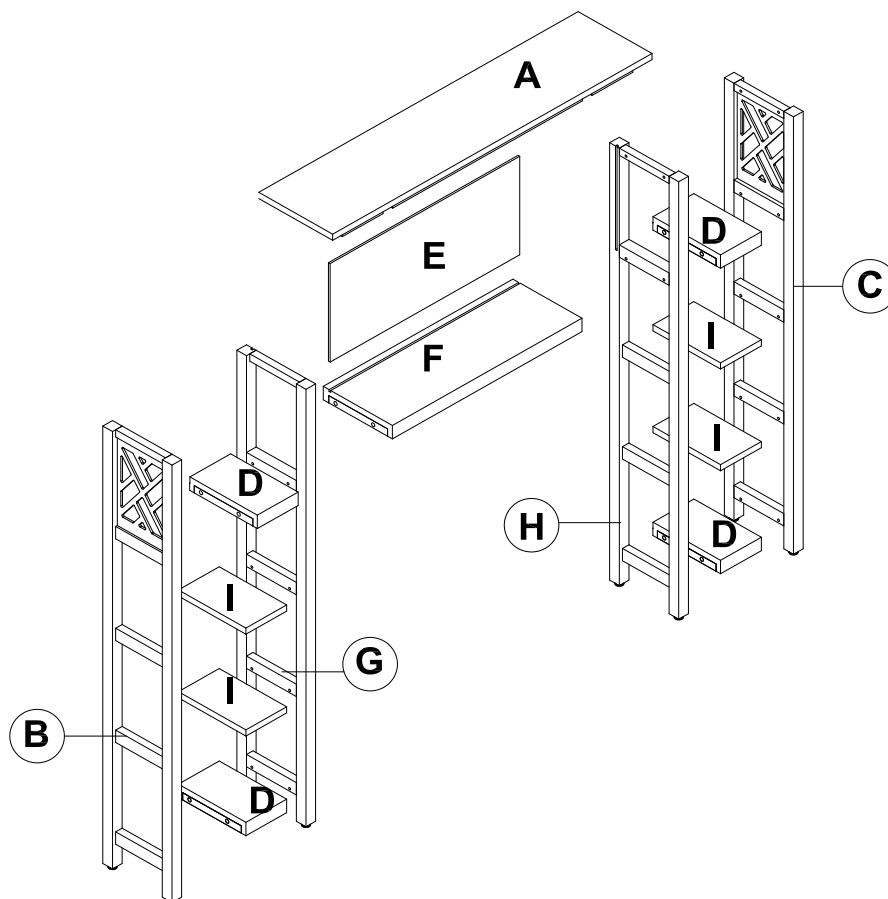
### REPLACEMENT PARTS

Please do not contact the company purchased from as we can help you faster.

Order replacement parts and hardware

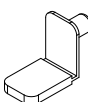
|  |   |  |
|--|---|--|
|  <p><b>. Use of power tool to assemble this product will invalidate any claim and damage this product making it unsafe!!!</b><br/><b>. Please assemble on a clean soft surface to avoid damage.</b></p> |  <p>+</p>  <p><b>50 minutes</b></p> | <h3><u>Tool Included</u></h3> <br> <p>(Not included)</p> |
|--|---|--|

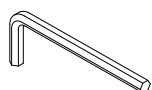
# Part List- Over Toilet Open Shelving with Left/Right Shelving

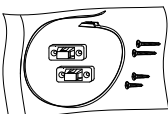


**Identifying the hardware**-Identify the hardware using the illustrations below.

**J**  **28**  
**M6X30mm**


**K**  **16**

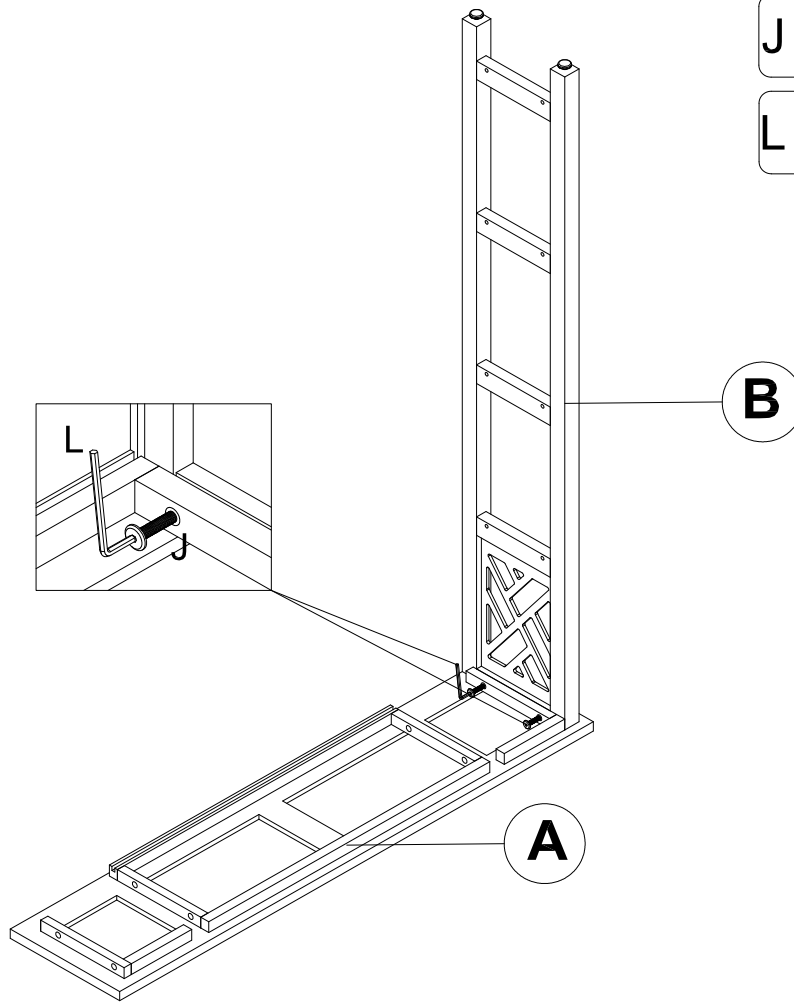
**L**  **01**

**M**  **01**  
**Anti-Tip Bag**

# STEP 1


J  02  
M6X30mm

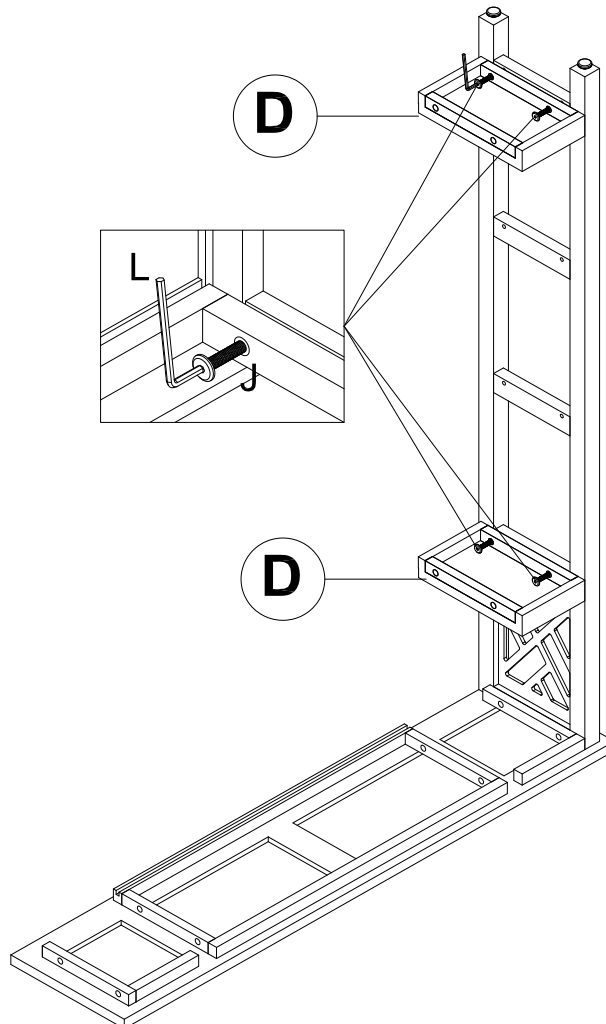
L  01



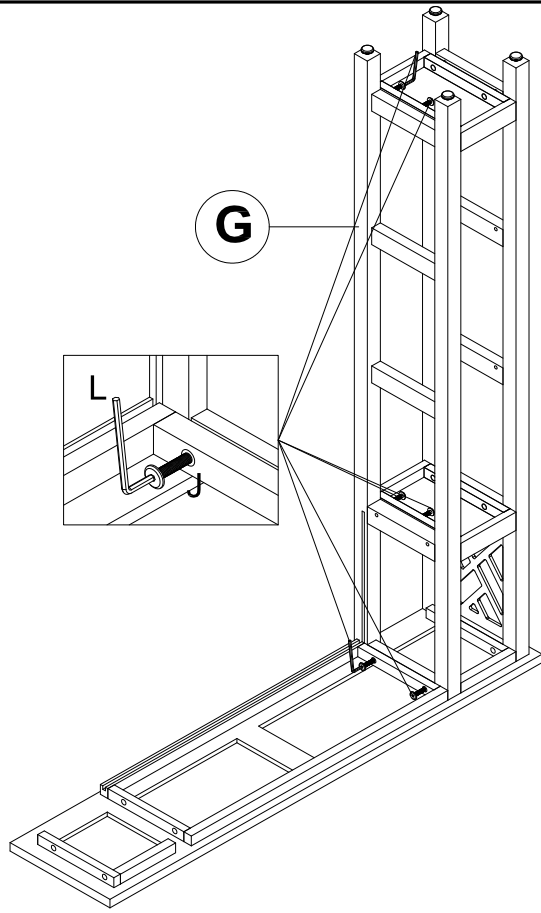
# STEP 2

J  04  
M6X30mm


L  01



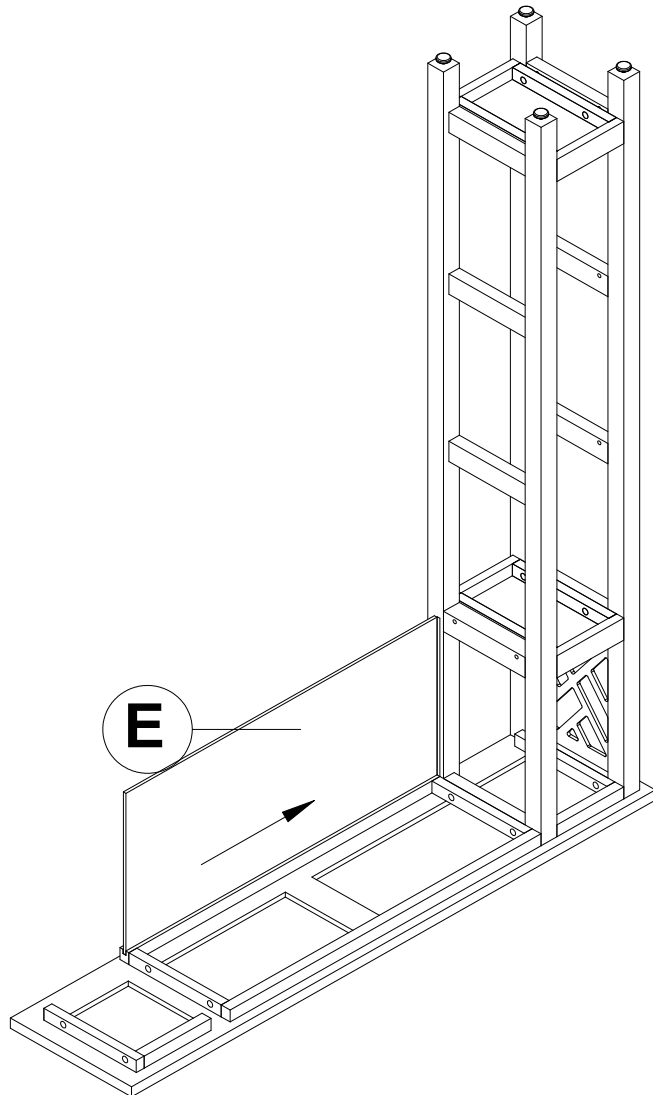
### STEP 3





J  06  
M6X30mm

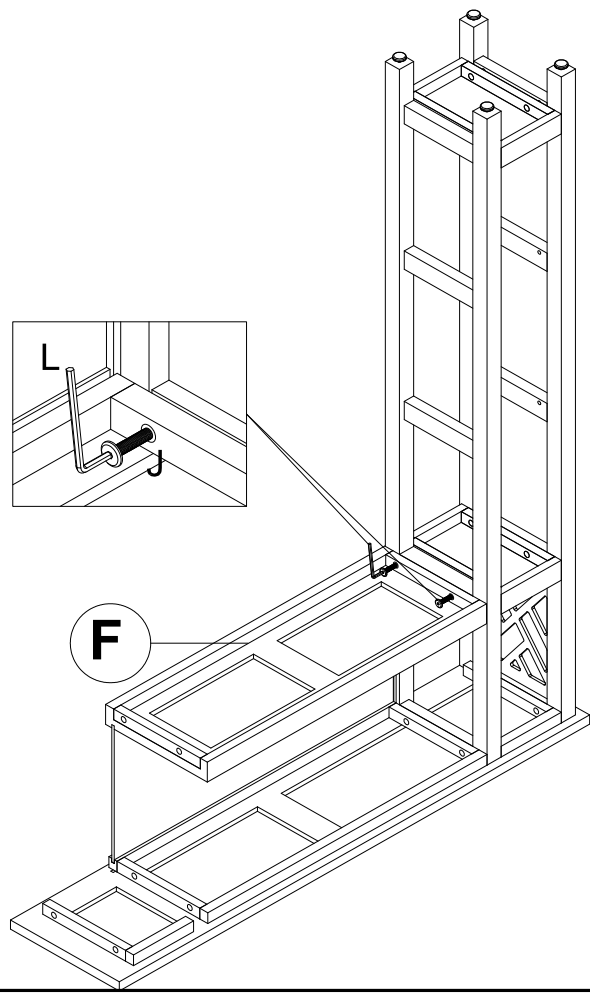
L  01

### STEP 4





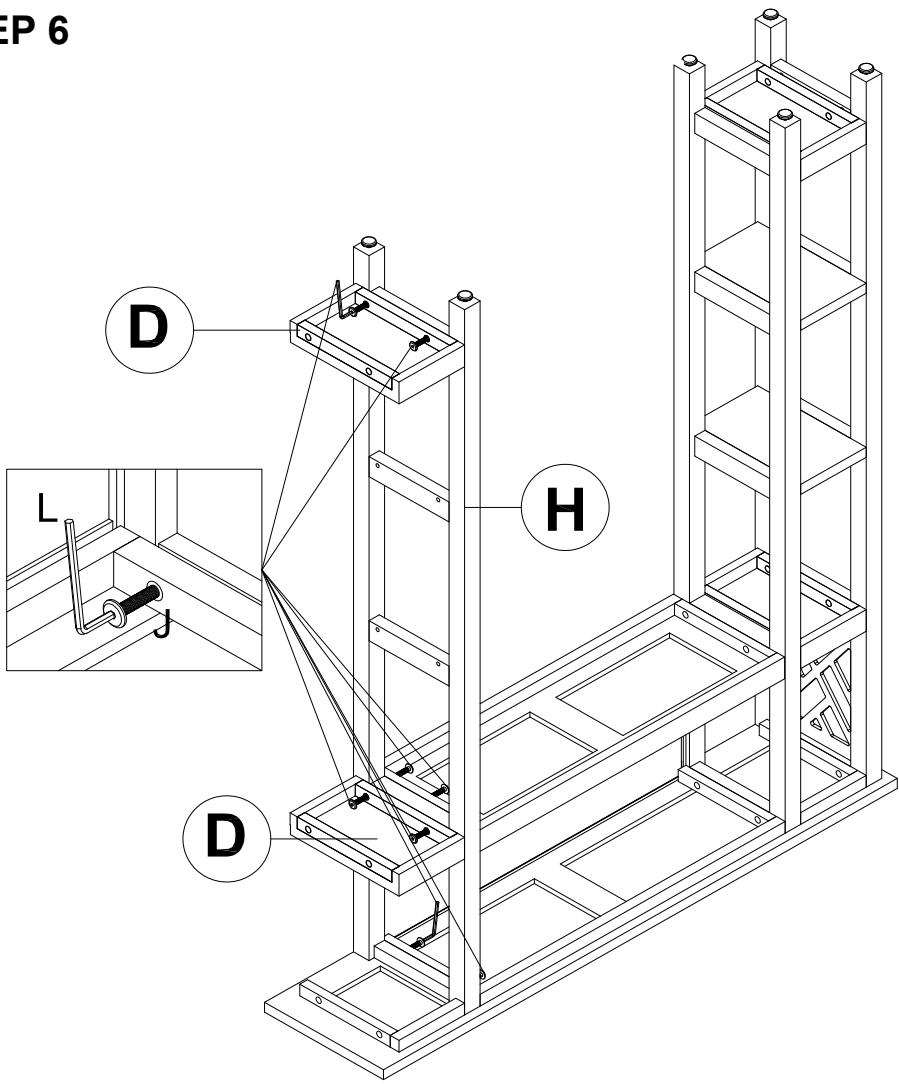
# STEP 5

- J  02  
M6X30mm
- L  01




# STEP 6

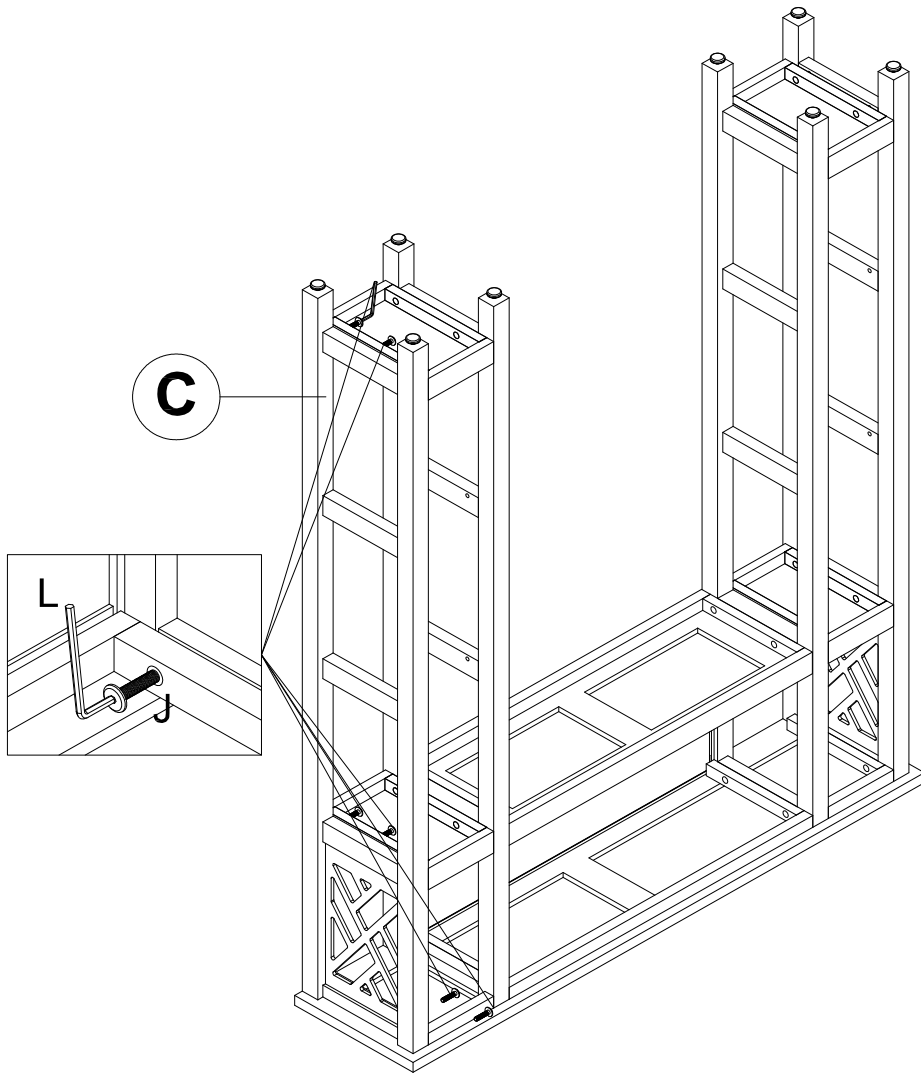
- J  08  
M6X30mm
- L  01



# STEP 7

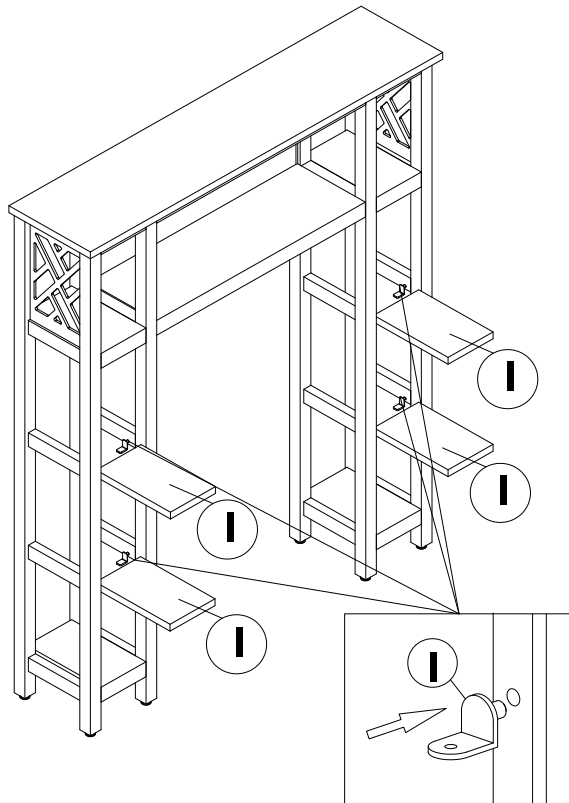
J  06  
M6X30mm

L  01







# STEP 8

K  16



## "M" Anti-Tip Bag

|          |   |           |          |  |           |
|----------|---|-----------|----------|--|-----------|
| <b>A</b> | <br>4x14 Screw | <b>02</b> | <b>C</b> | <br>Plastic wall bracket | <b>02</b> |
| <b>B</b> | <br>4x35 Screw | <b>02</b> | <b>D</b> | <br>Nylon strap 140mm    | <b>01</b> |

### Secure to Stud behind Wallboard

