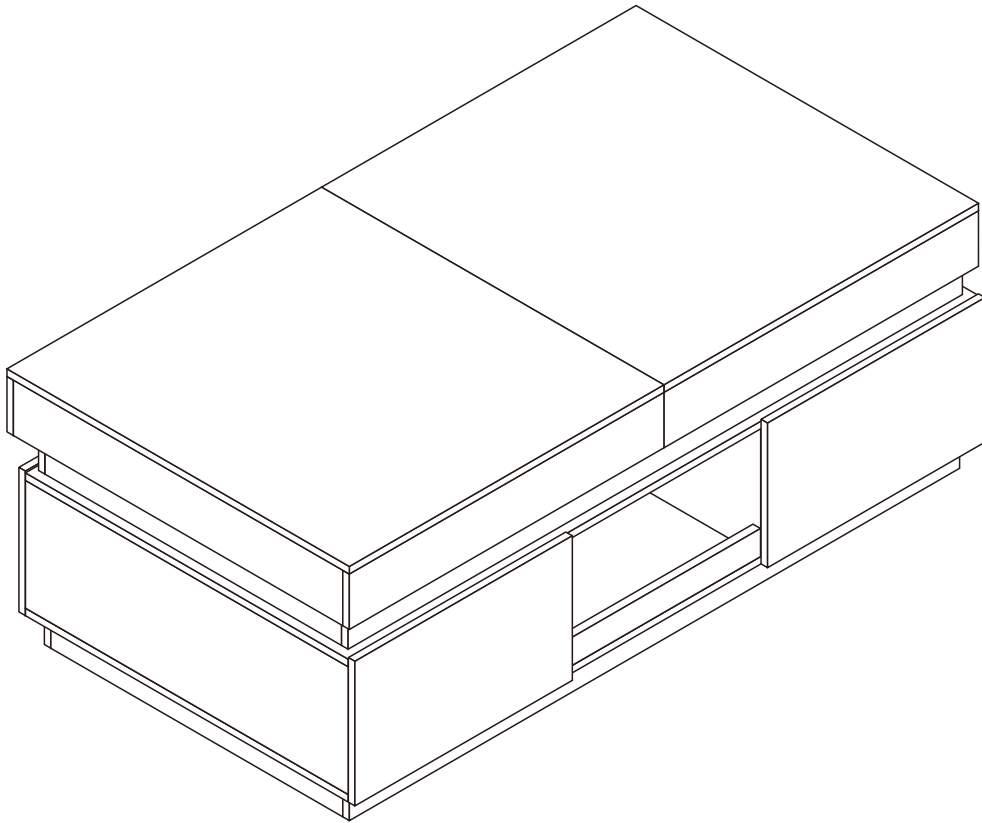


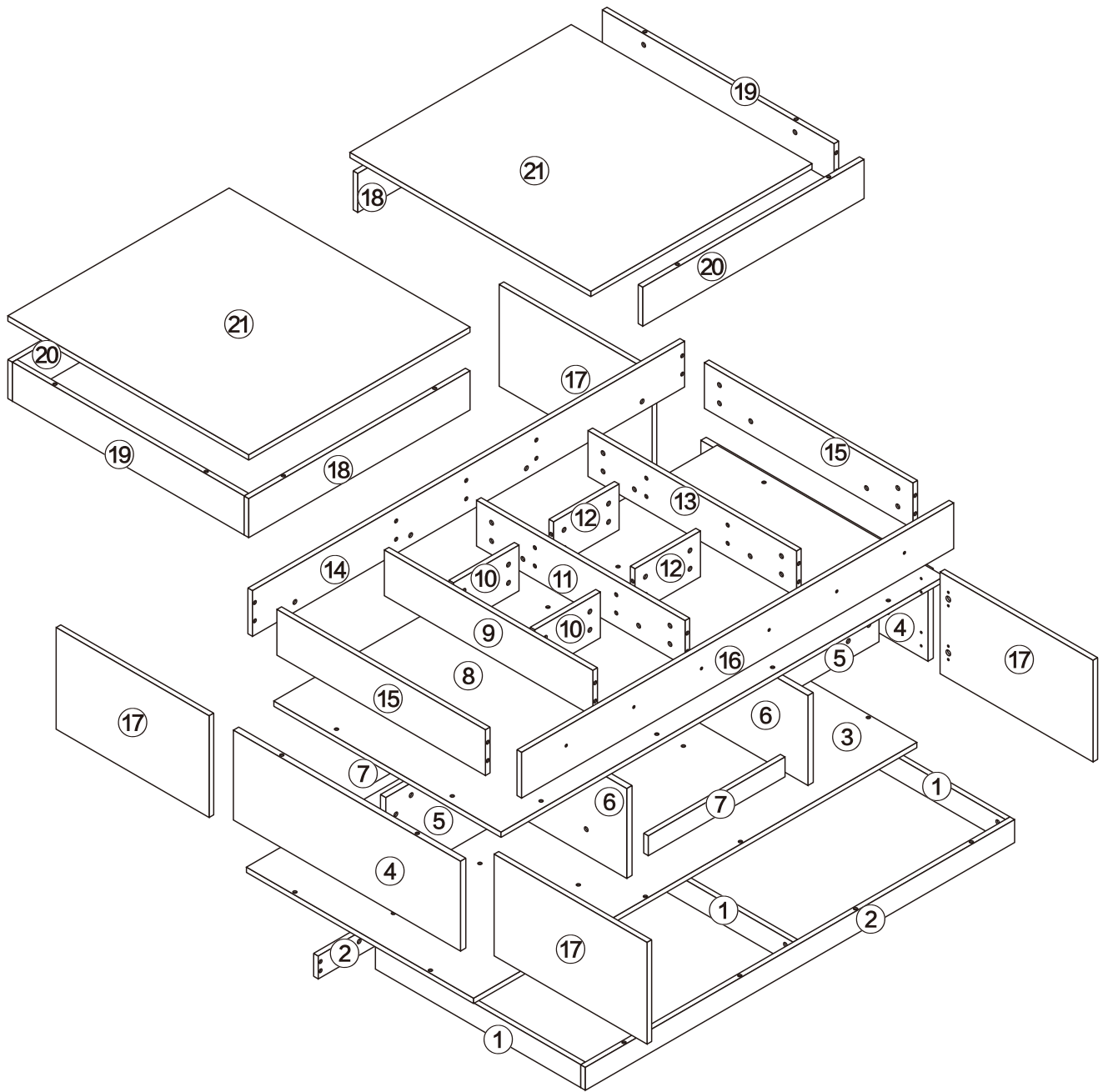
# Coffee Table



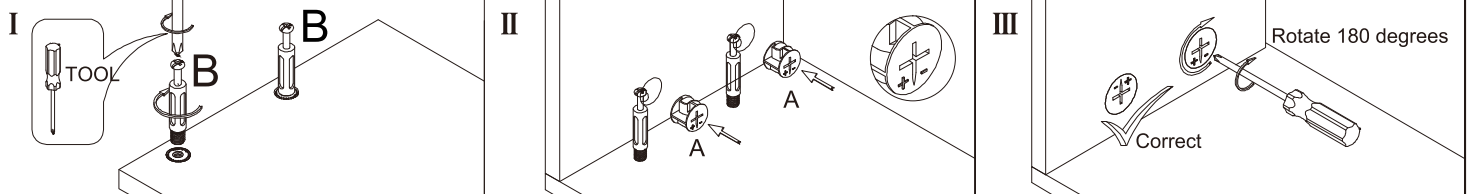
L1300\*W700\*H360

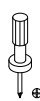




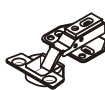


## Installation Instructions

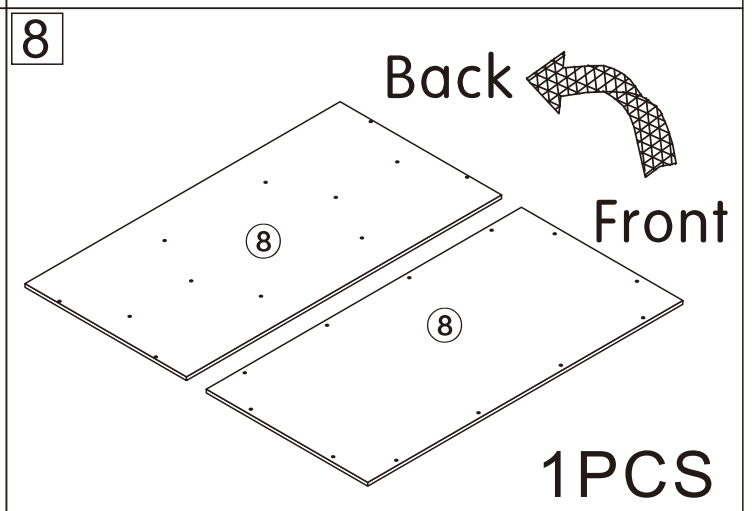
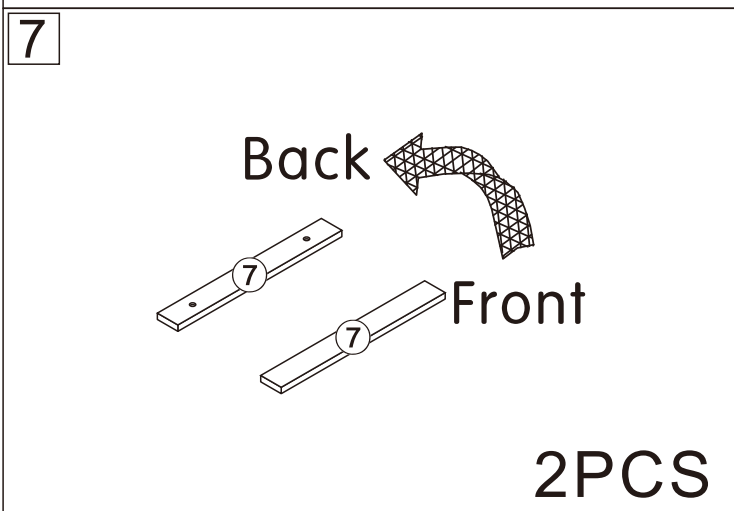
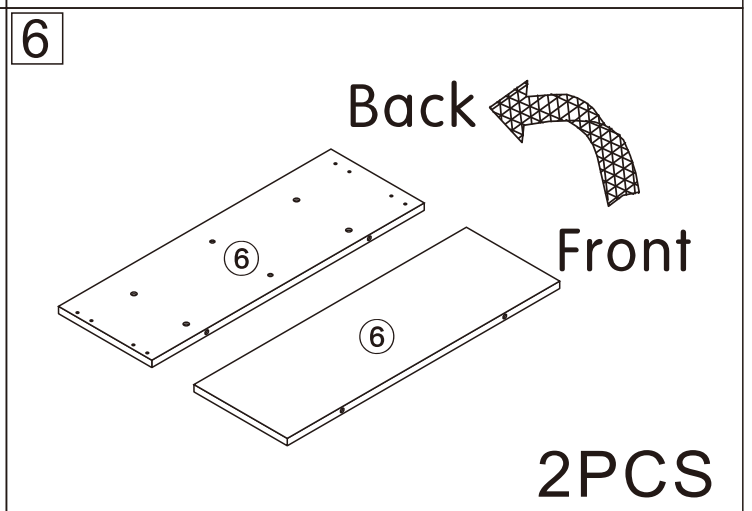
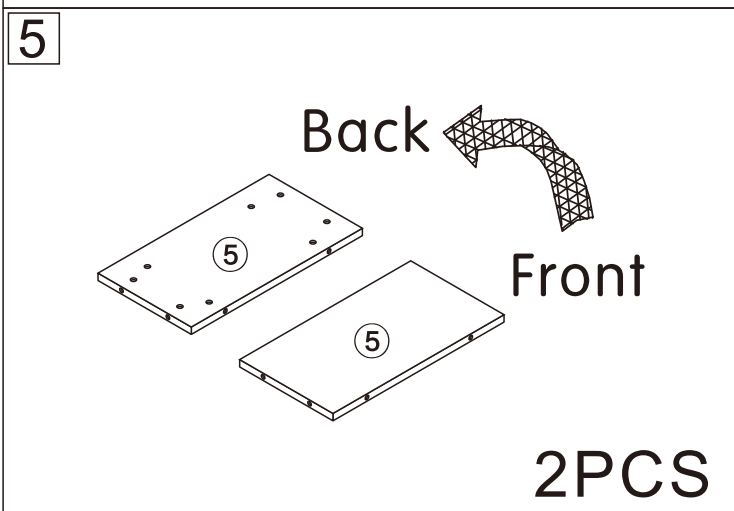
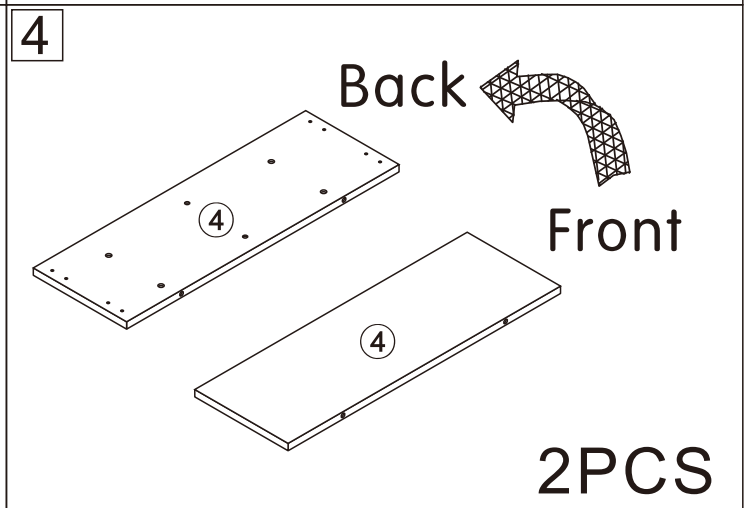
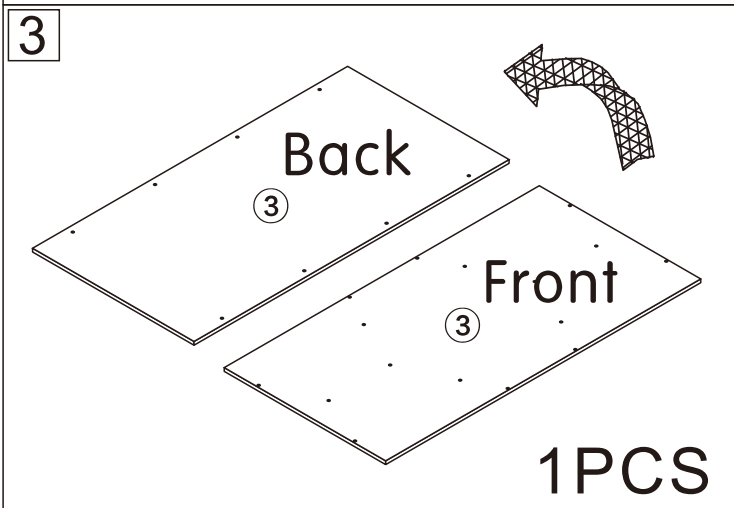
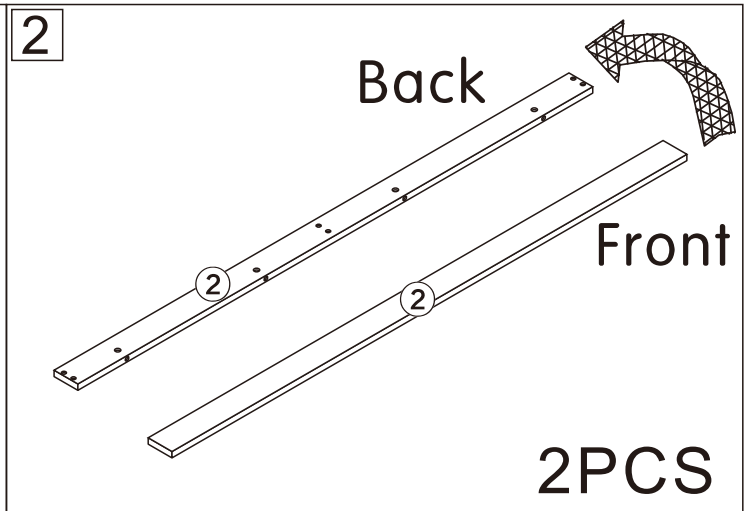
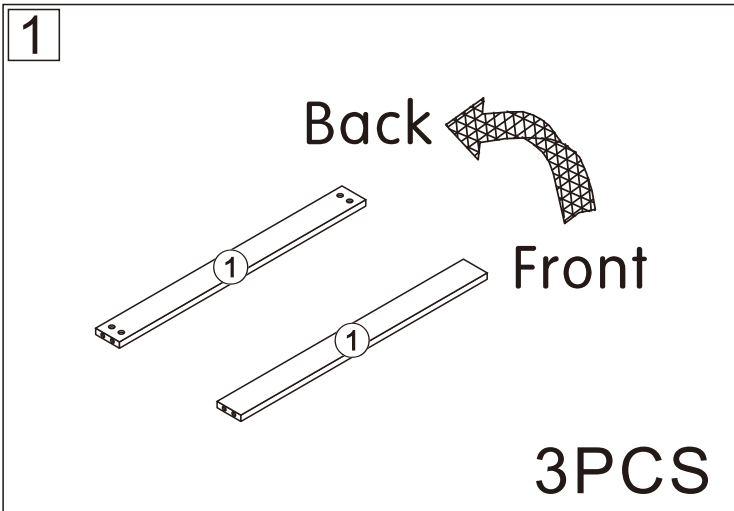
Notes: Don't tighten screws completely at first, just in case parts were assembled wrongly and need disassemble. Tighten screws at last when all parts are put together.

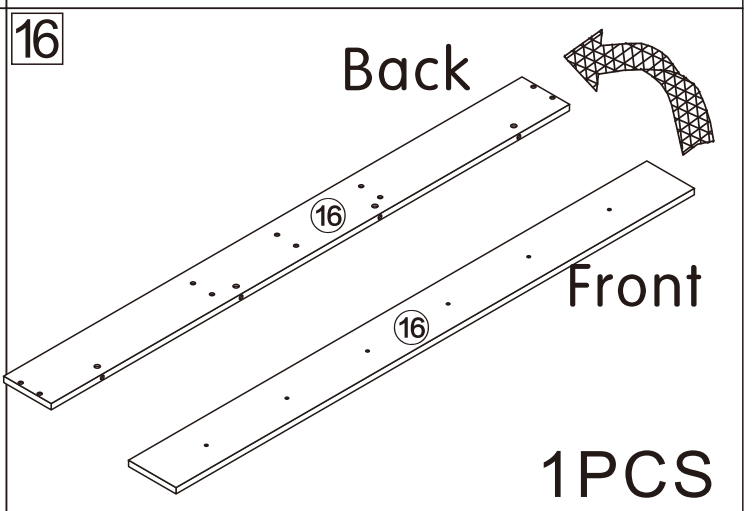
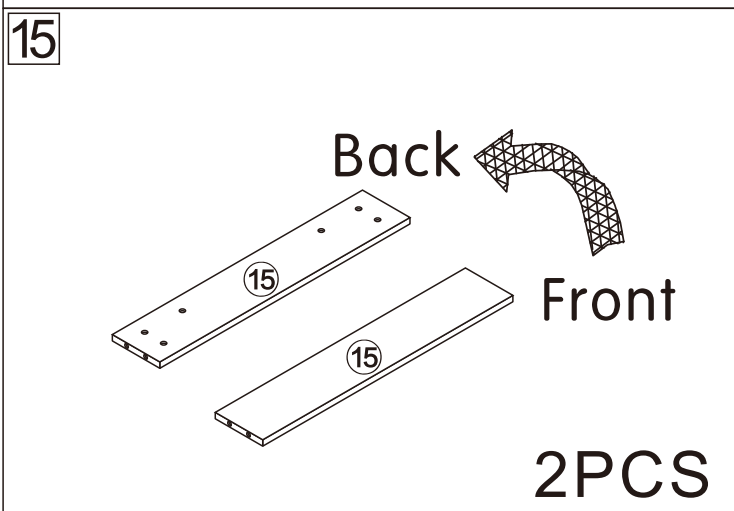
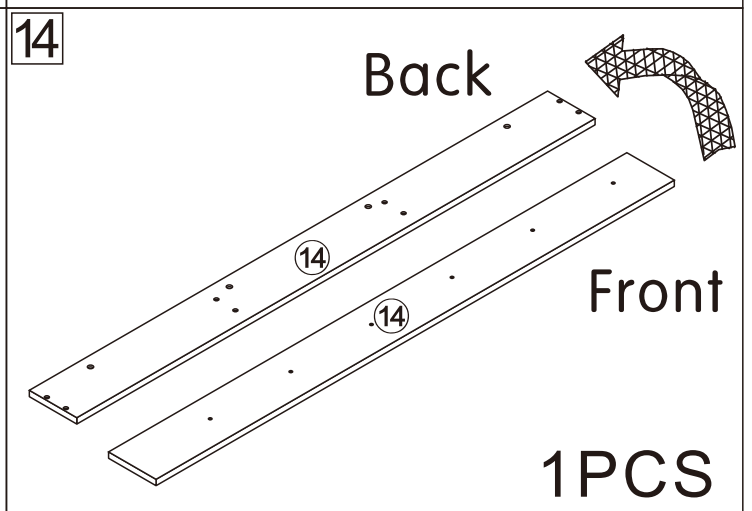
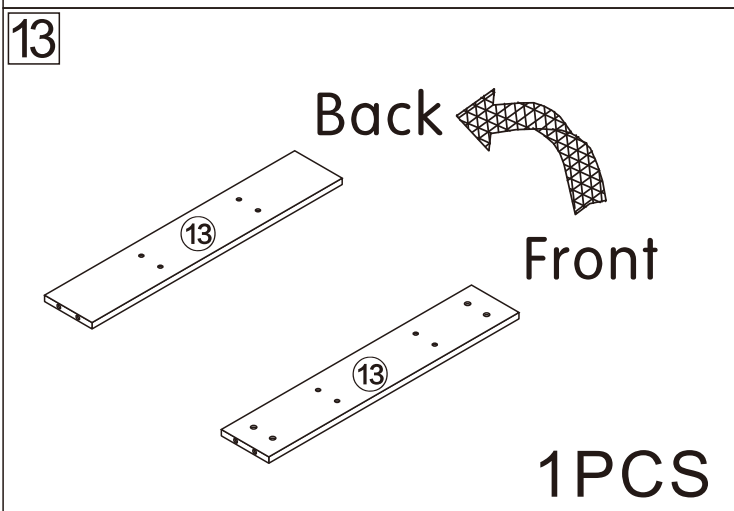
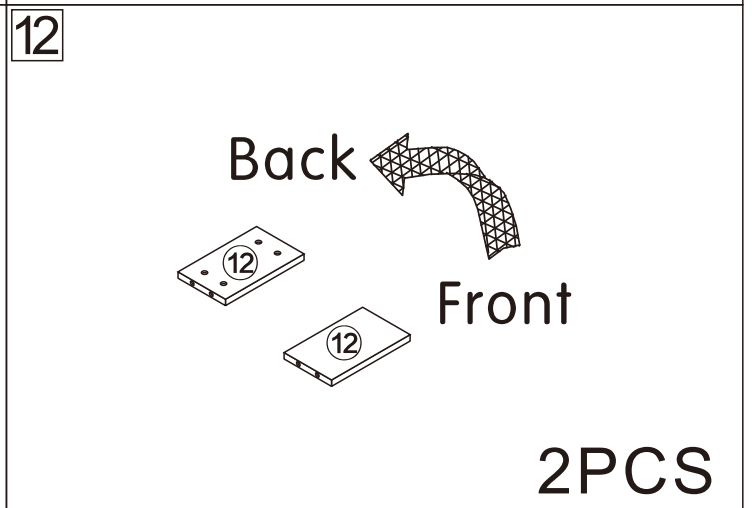
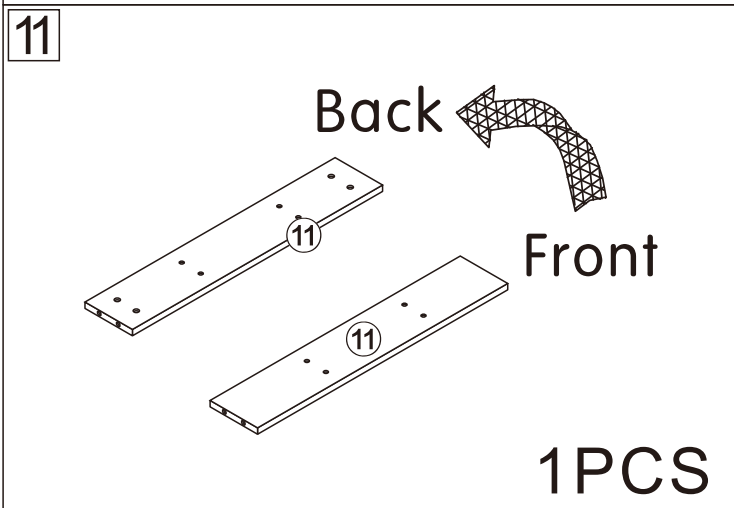
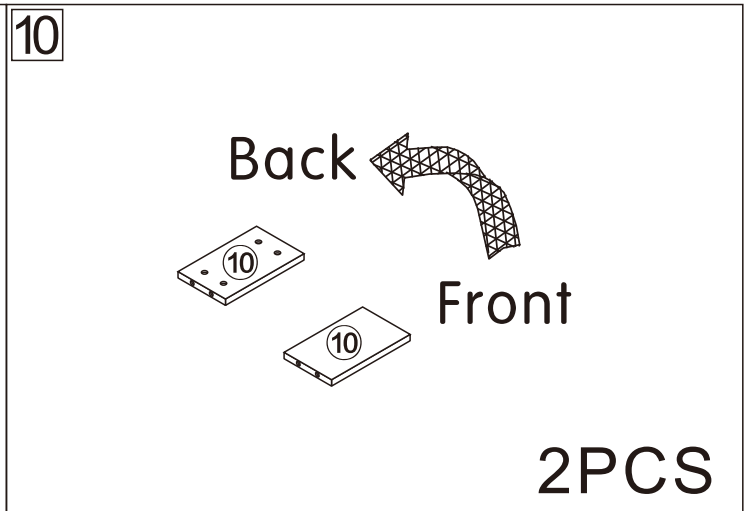
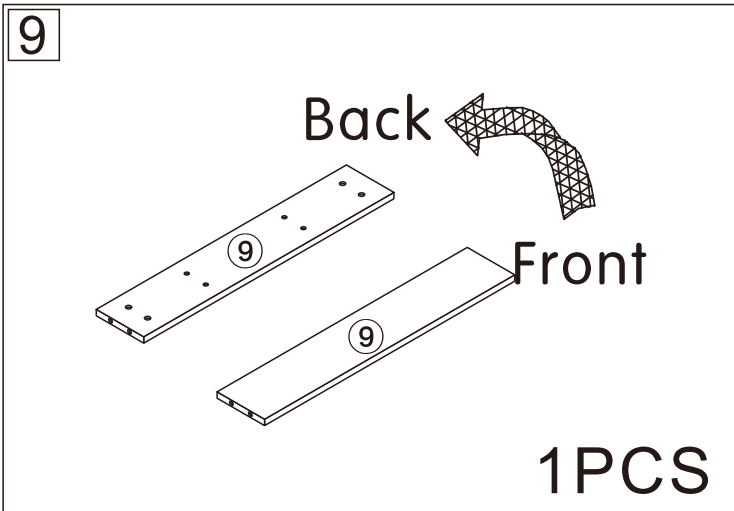


Disassembly and installation of accessories

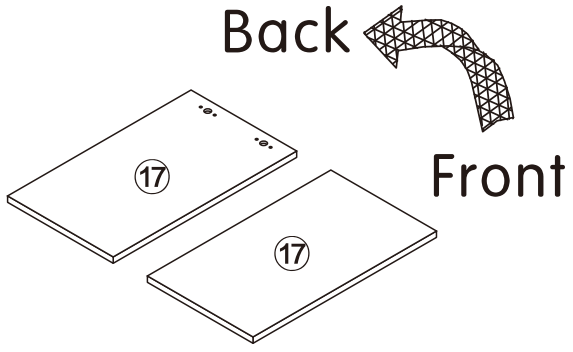


<b>A</b> 128PCS	<b>B</b> 128PCS	<b>C</b> 40PCS	<b>D</b> 4PCS	<b>E</b> 8PCS	<b>F</b> 14PCS	<b>G</b> 32PCS	 Tools Recommended
							
15*10mm	6*28mm	3.5*14mm	Three-section Rail		φ 15mm	4*12mm	



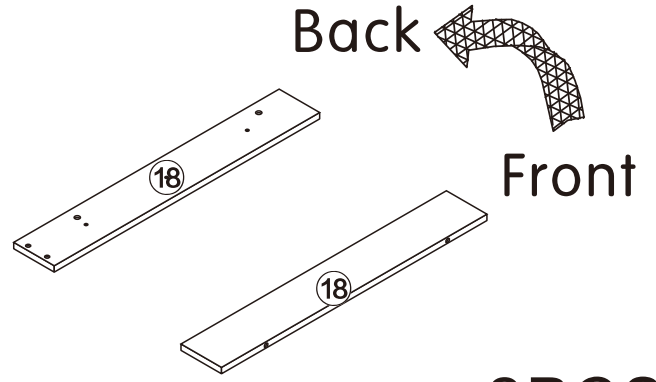


17



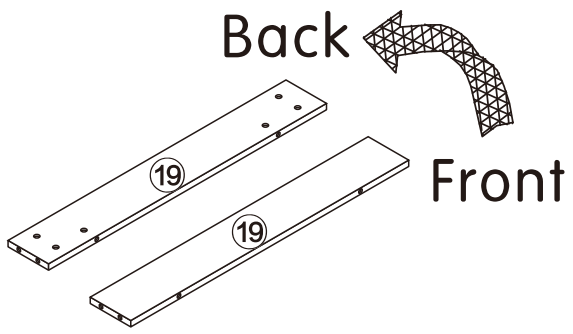
4PCS

18



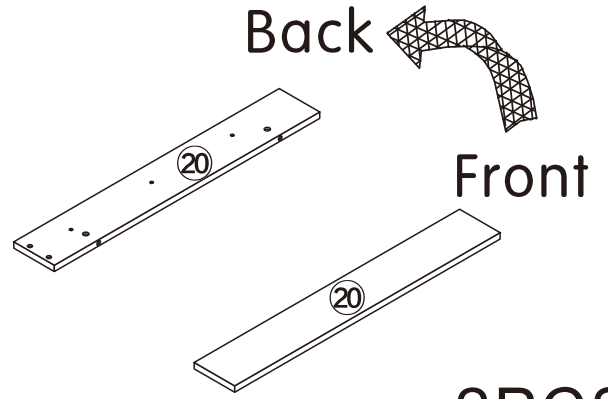
2PCS

19



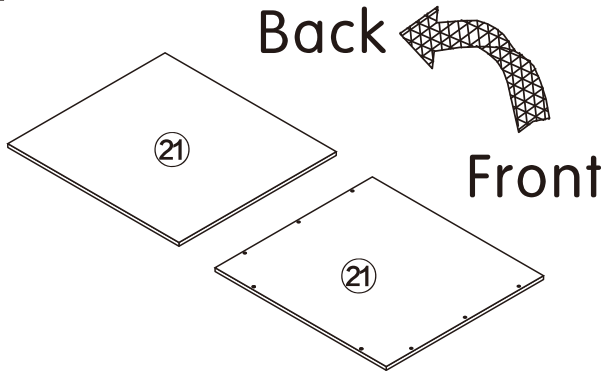
2PCS

20



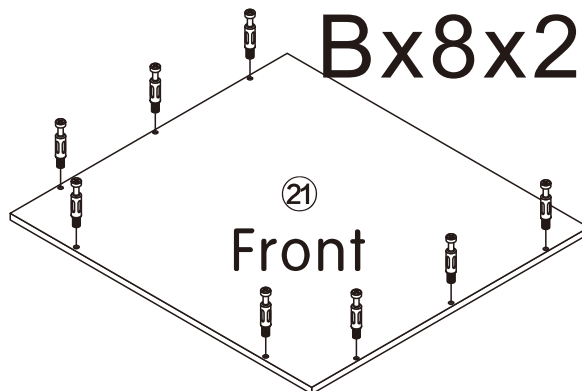
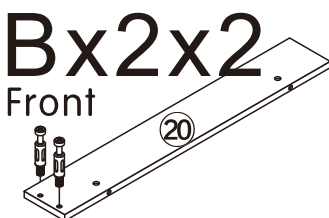
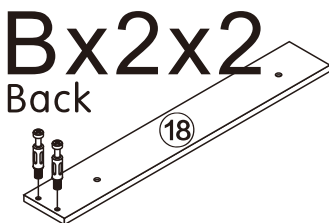
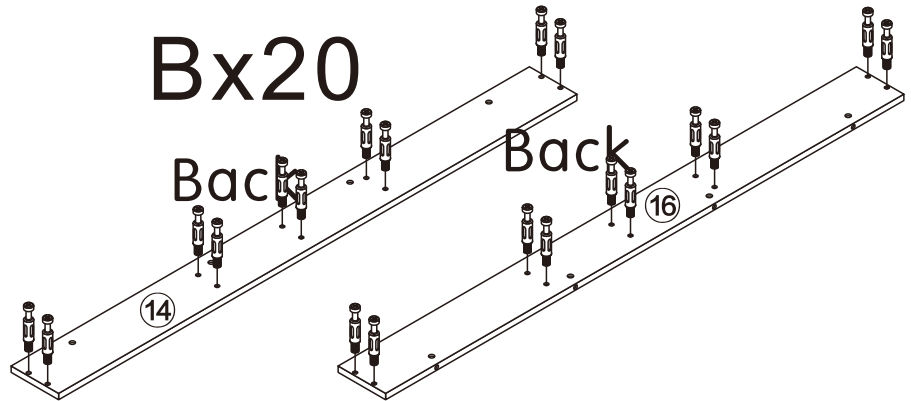
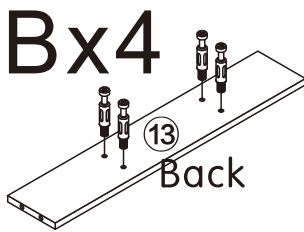
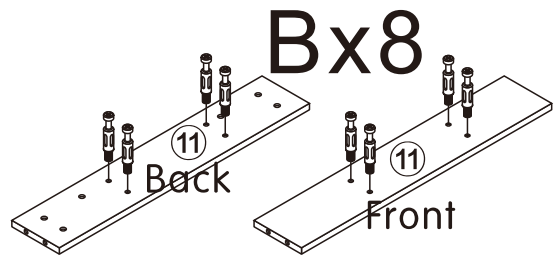
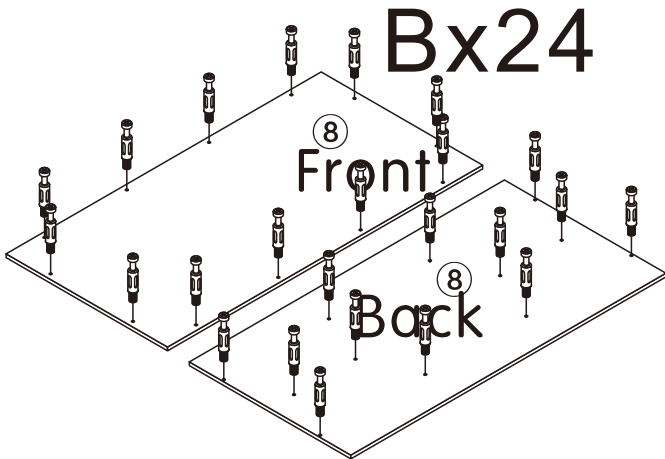
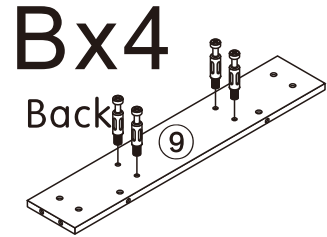
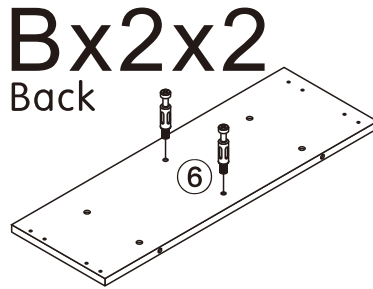
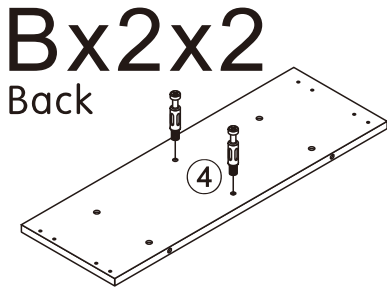
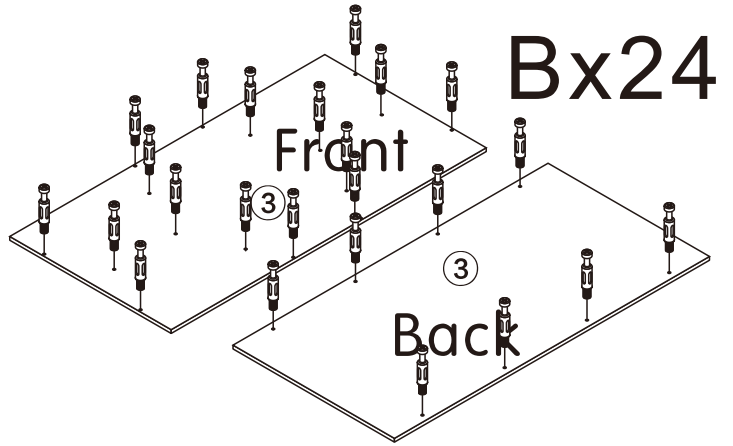
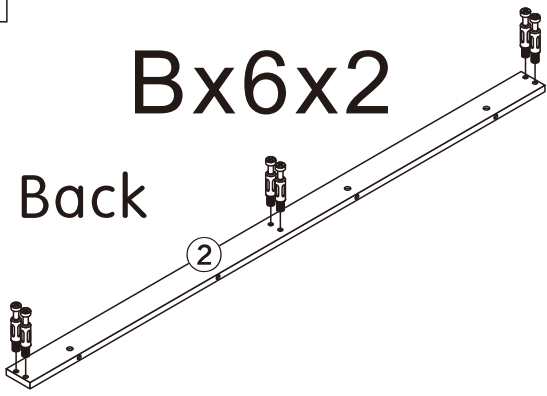
2PCS


21



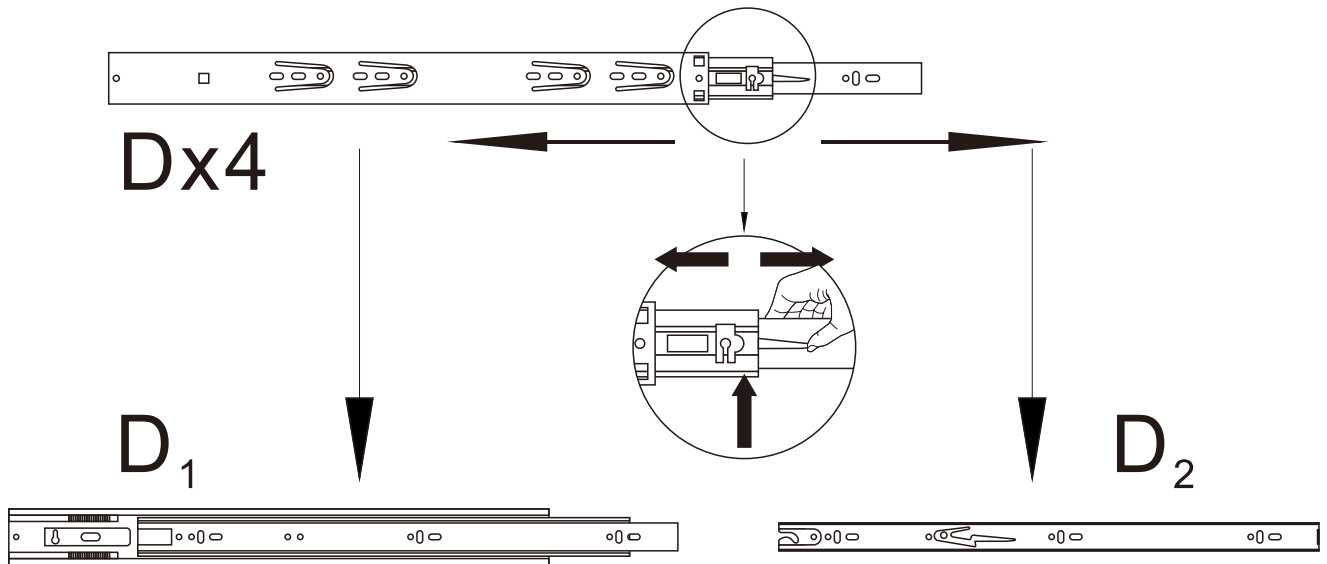
2PCS

1



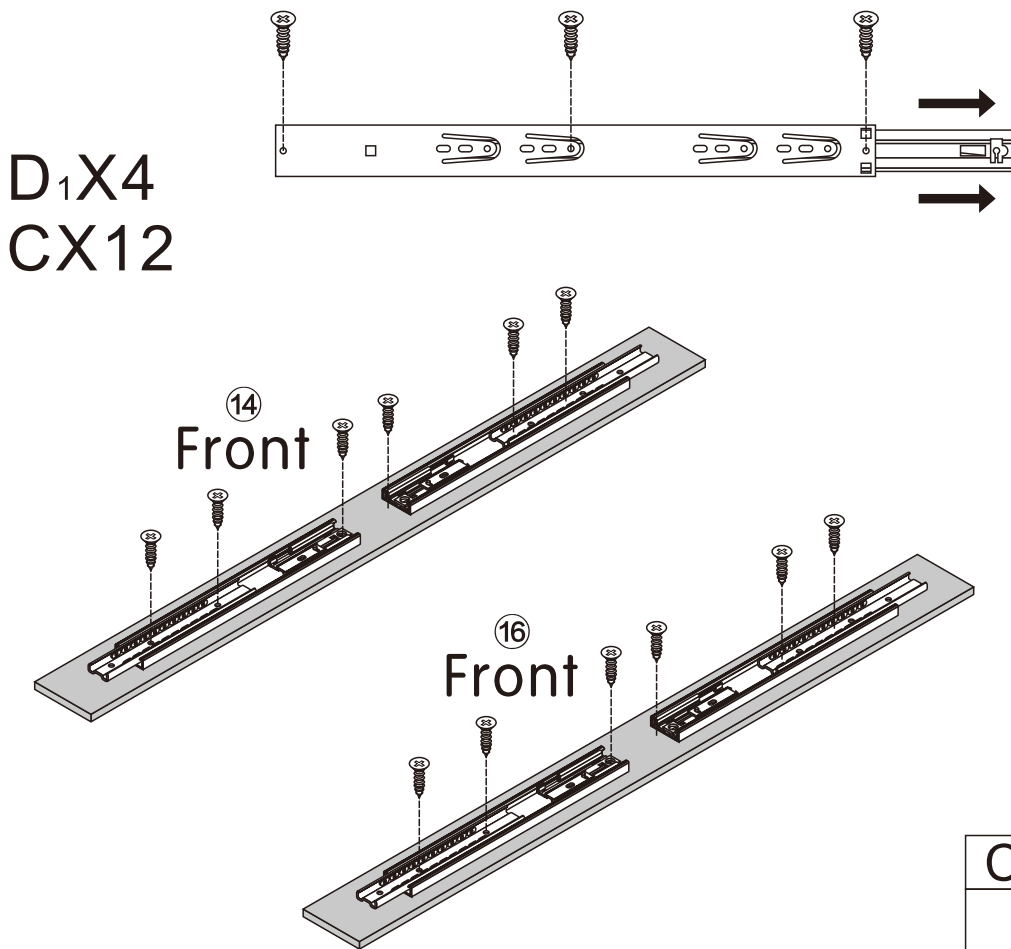
<b>B</b>	128PCS
	
6*28mm	

2



D	4PCS
Three-section Rail	

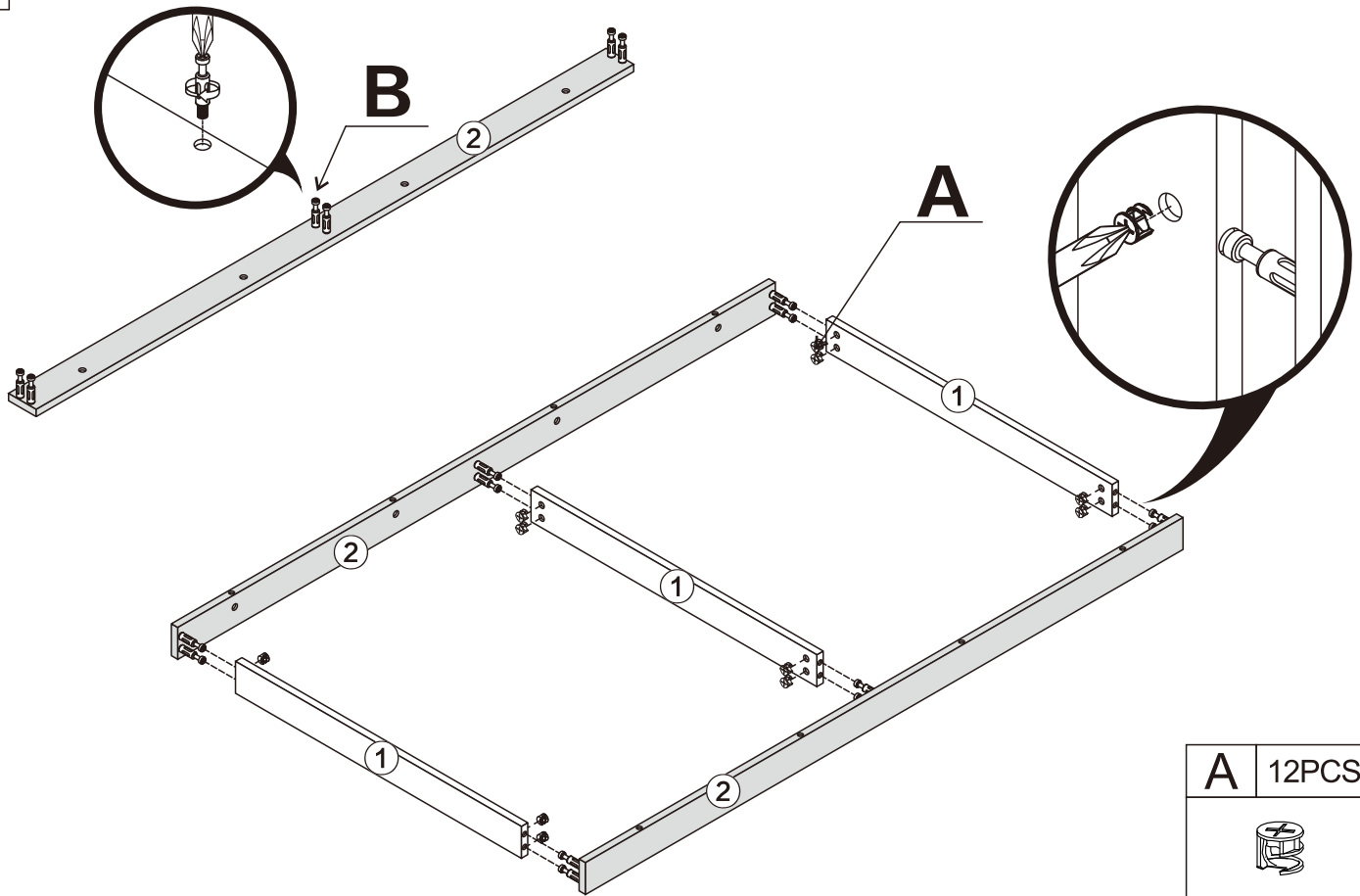
3




C	12PCS
3.5*14mm	

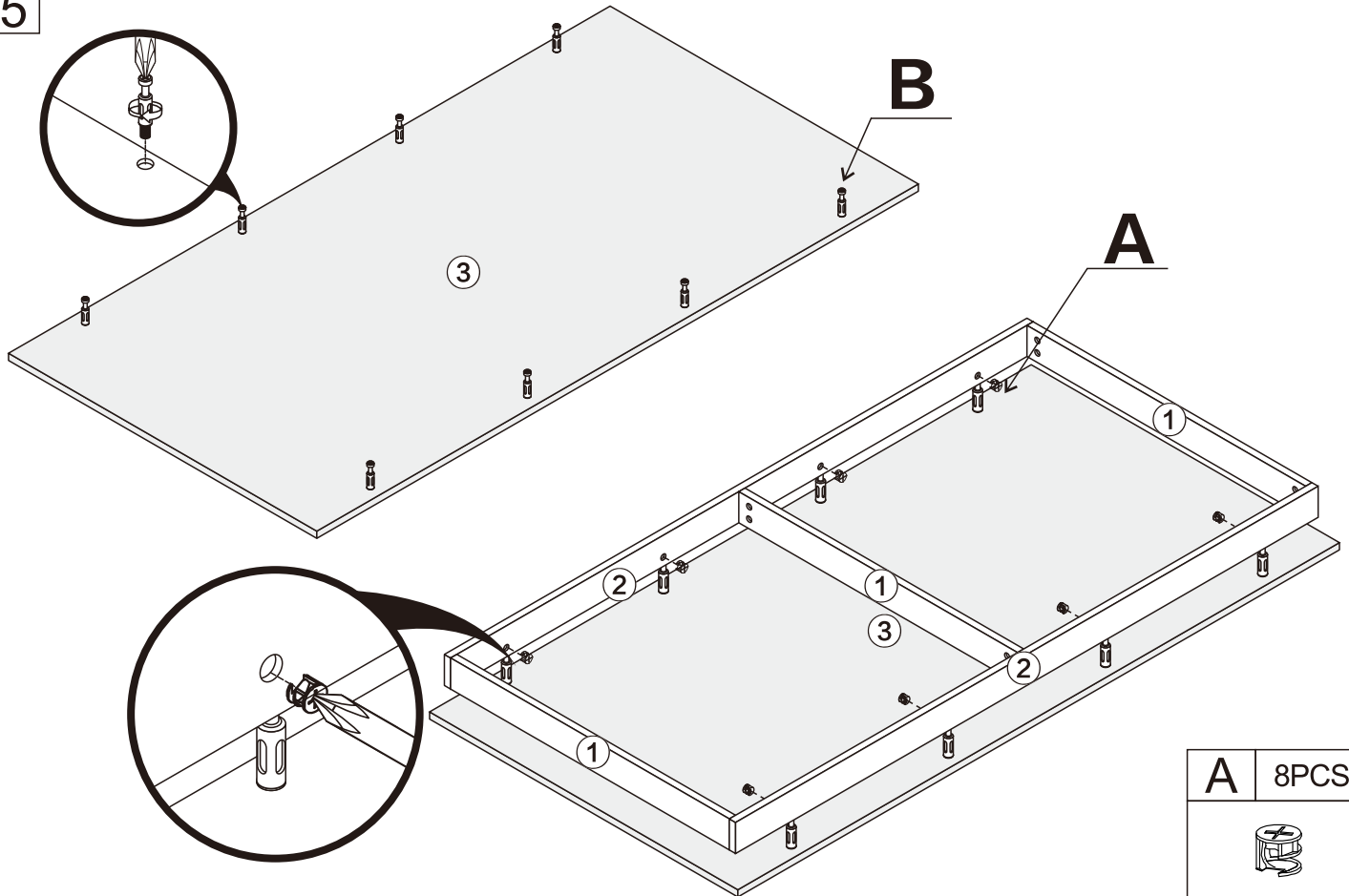
D <sub>1</sub>	4PCS
Three-section Rail	


4



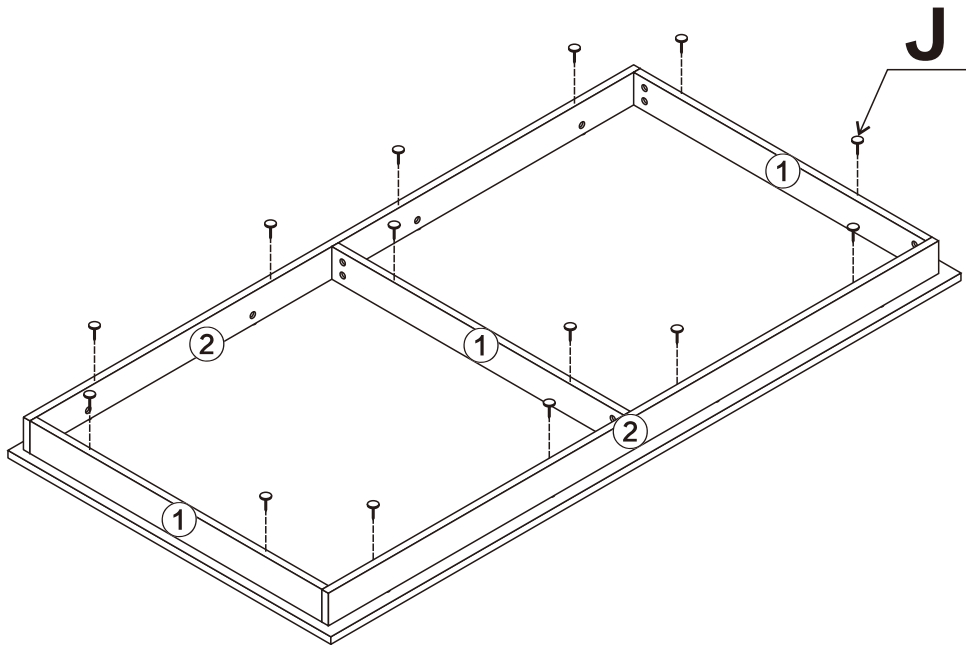
A	12PCS
	
15*10mm	


5



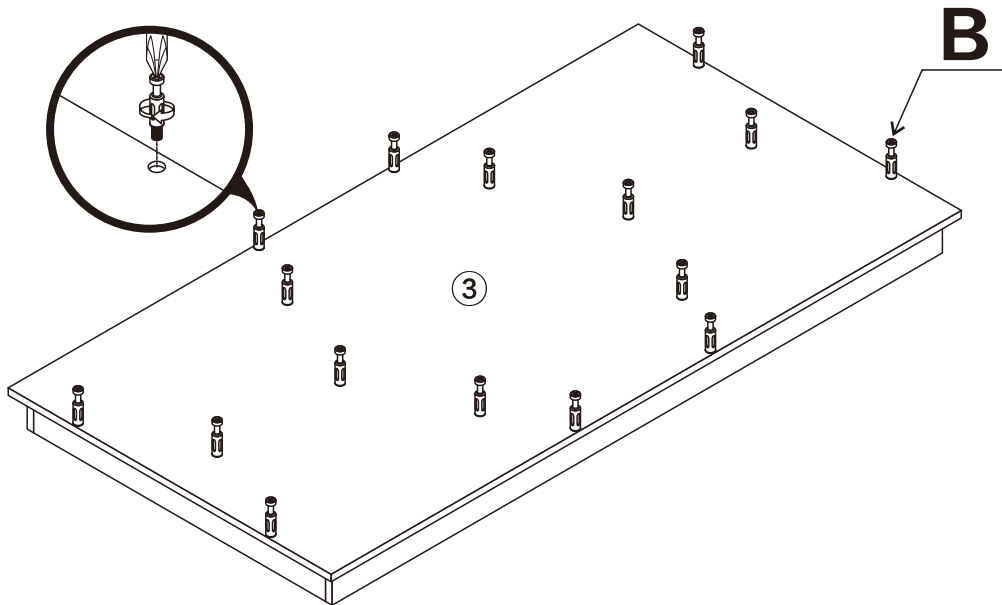
A	8PCS
	
15*10mm	

6

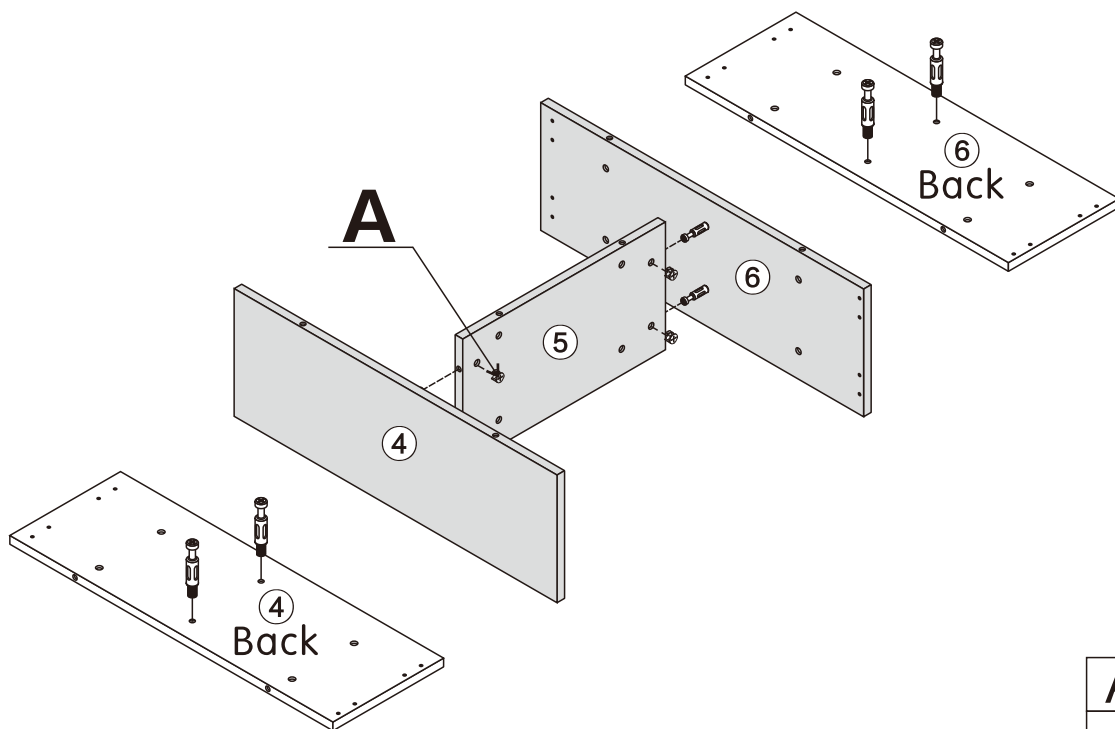



<b>F</b>	14PCS
	
φ 15mm	

7

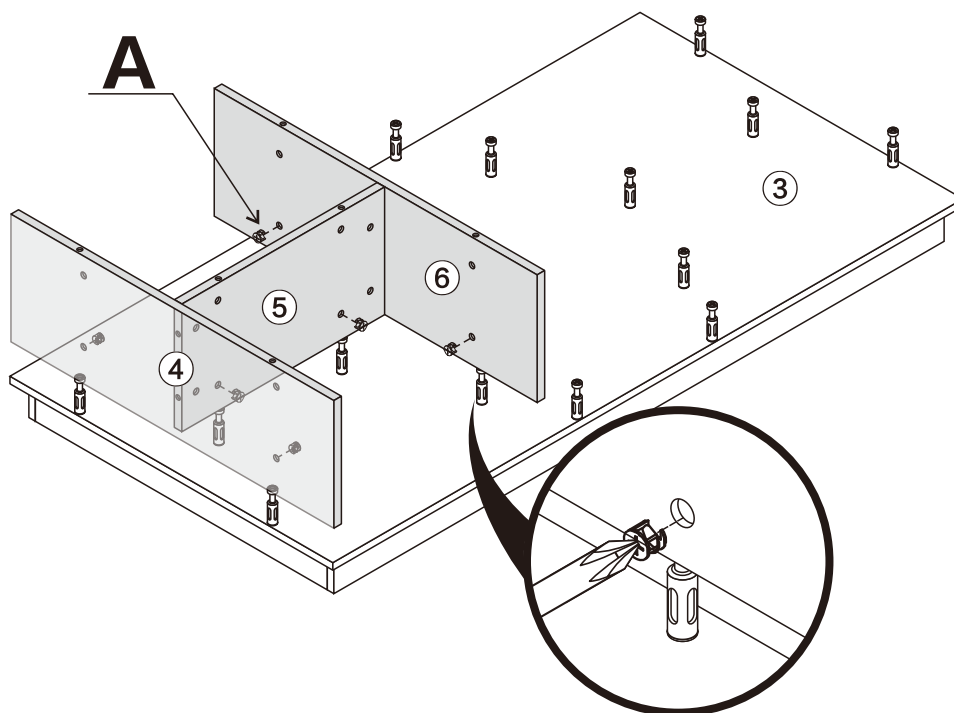



8



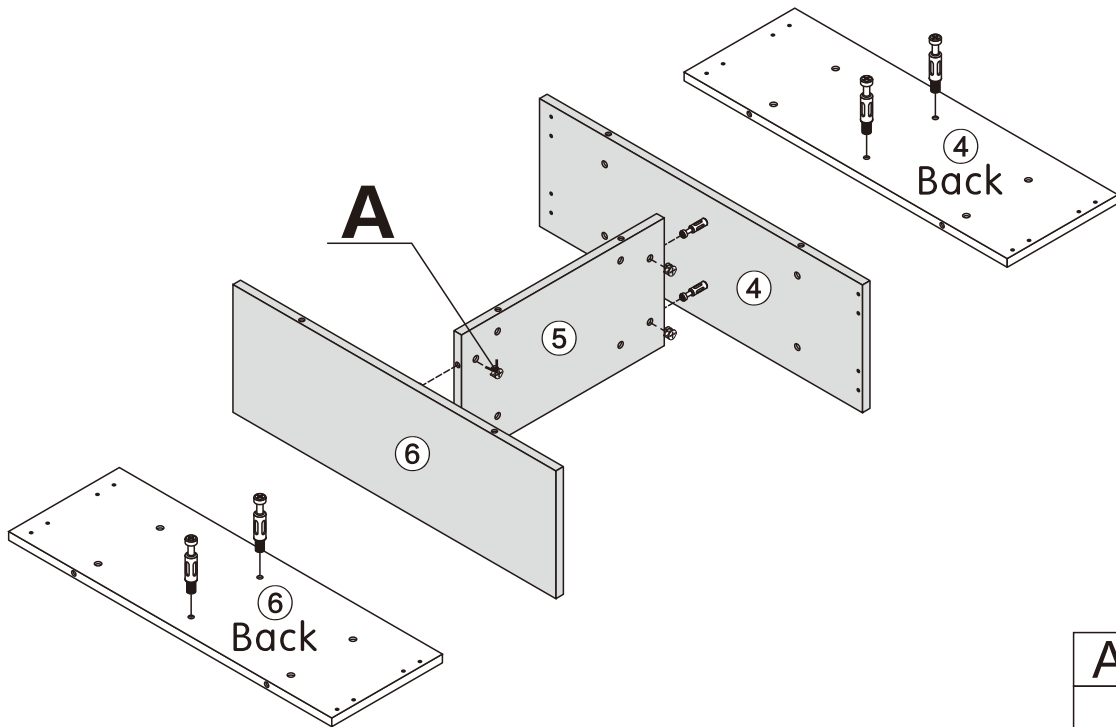
A	4PCS
	
15*10mm	


9



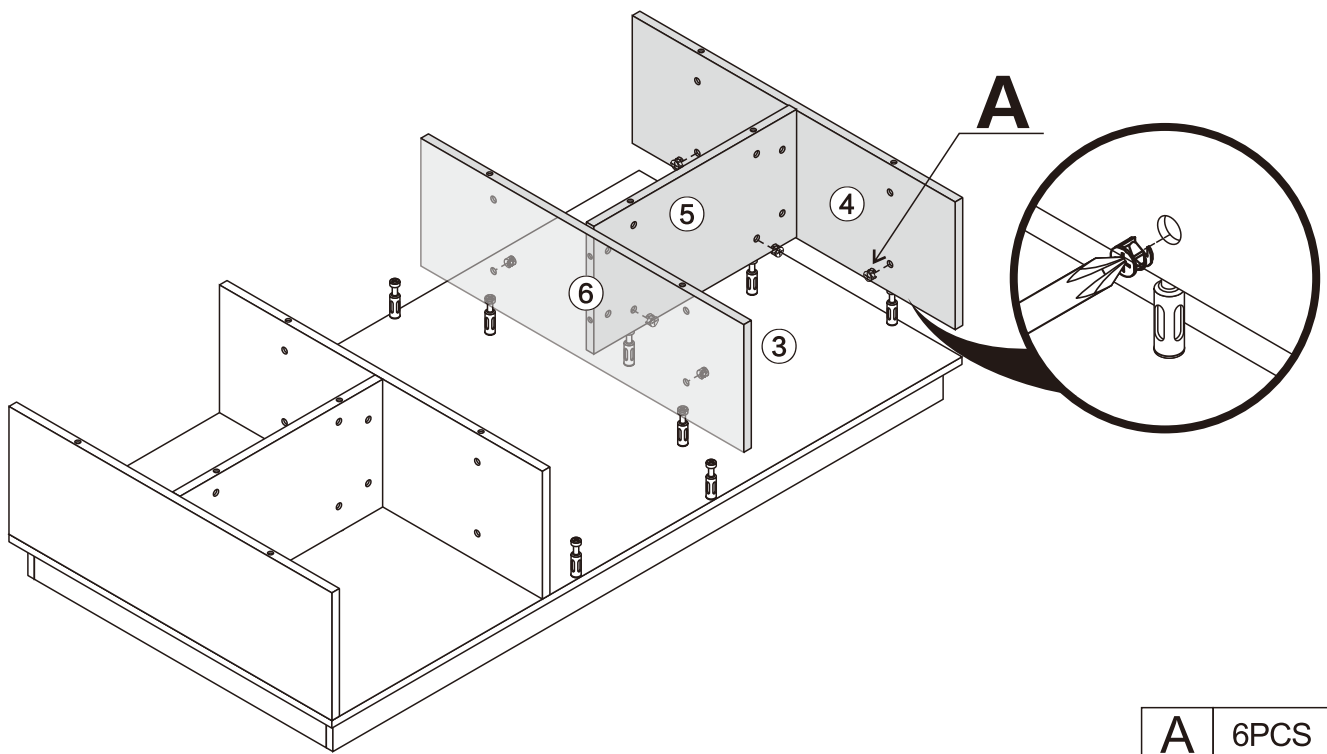
A	6PCS
	
15*10mm	


10



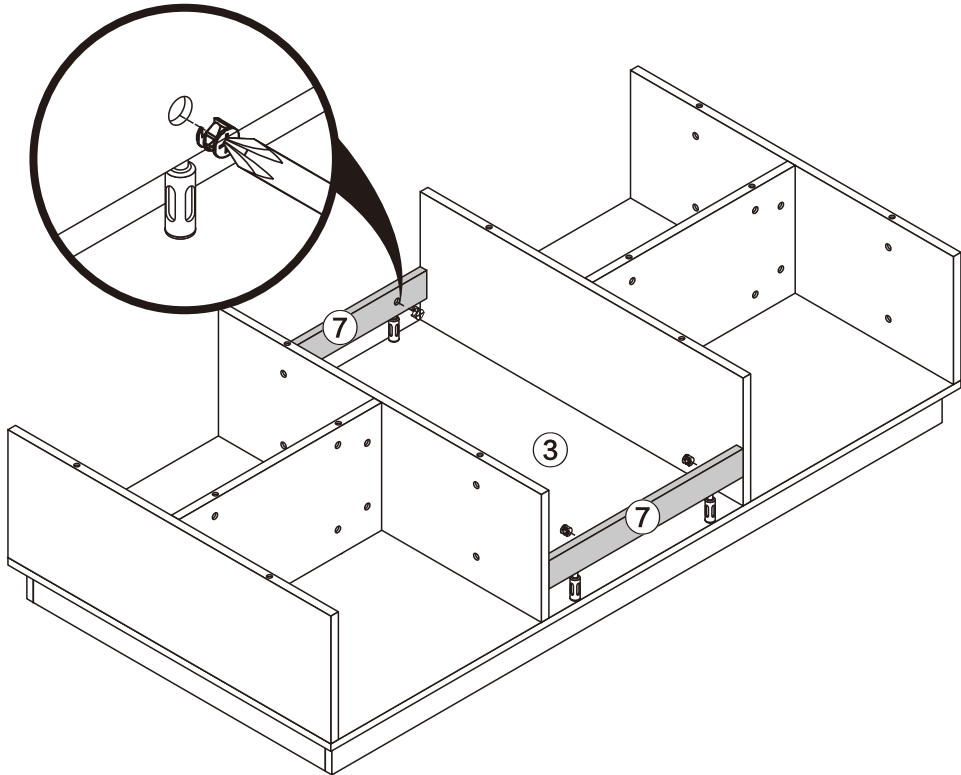
A	4PCS
	
15*10mm	


11



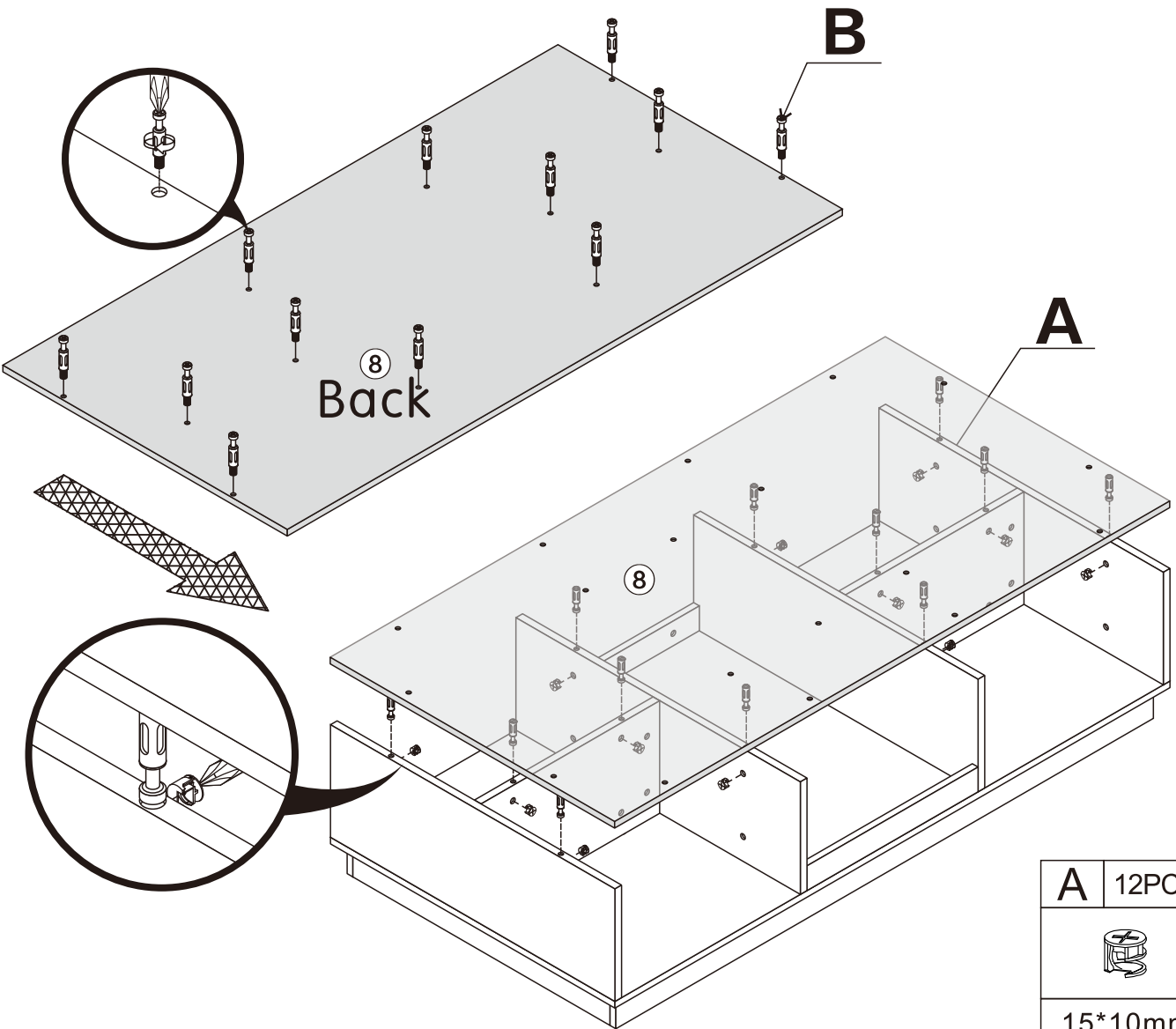
A	6PCS
	
15*10mm	


12



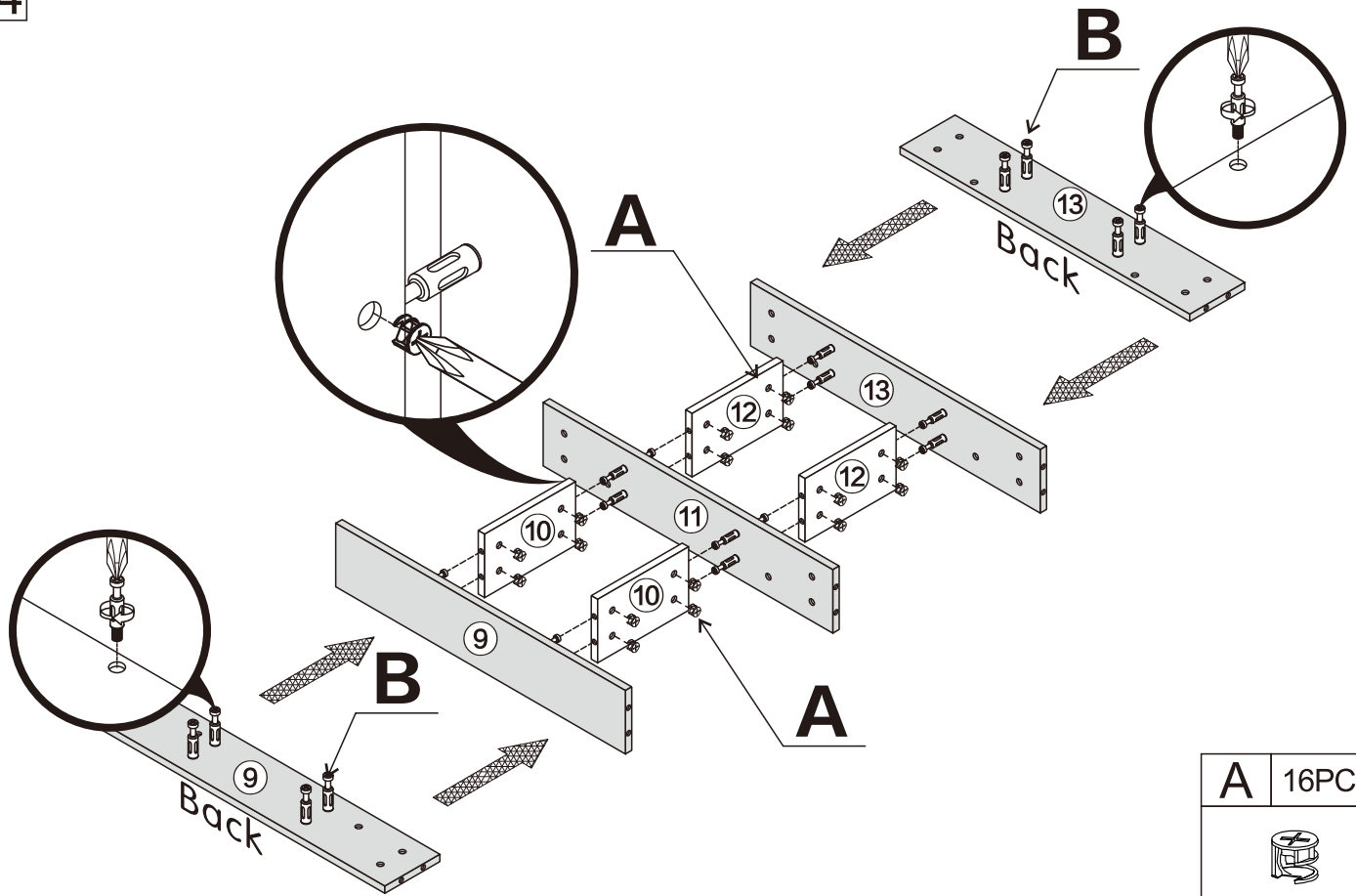
A	4PCS
	
15*10mm	

13



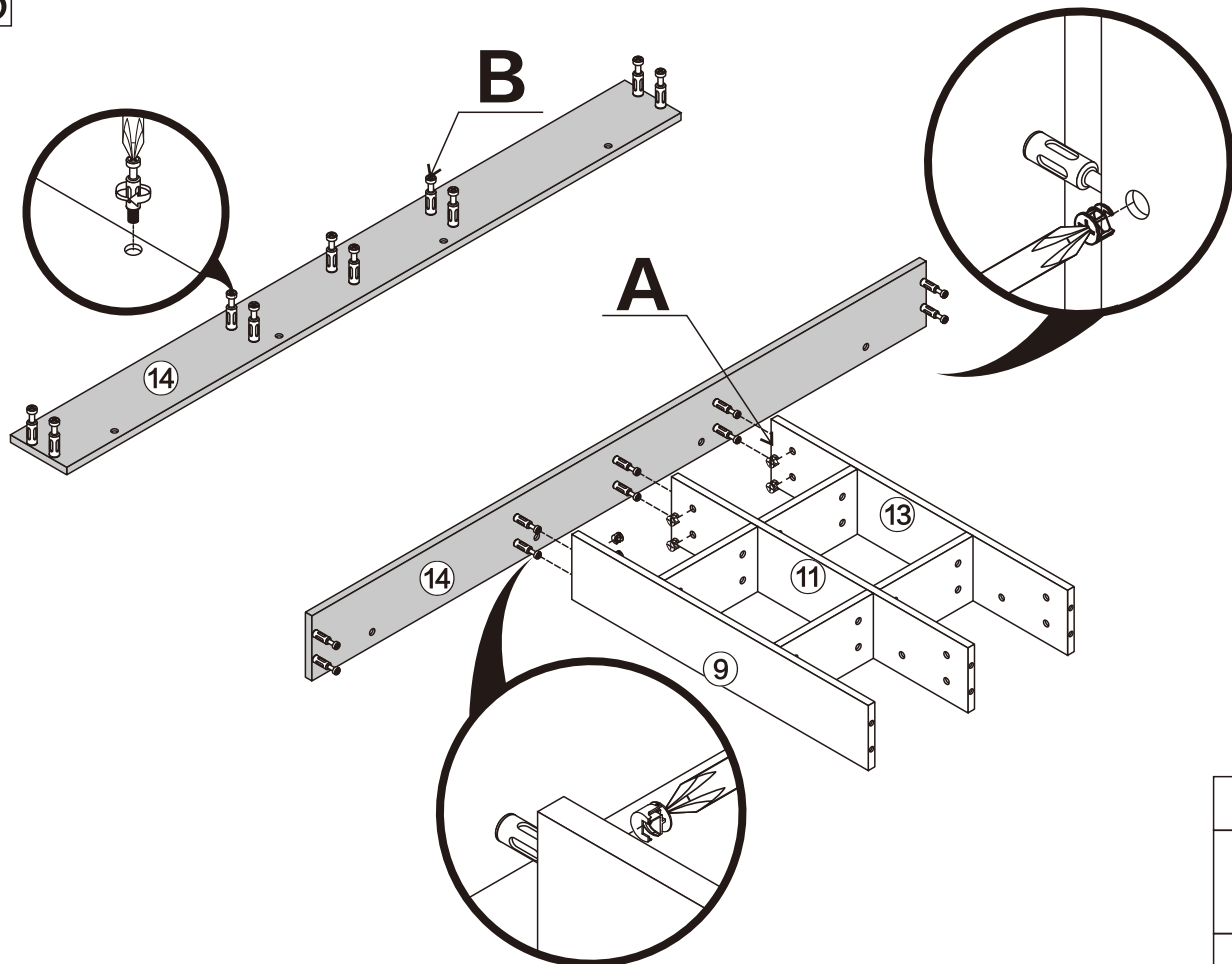
A	12PCS
	
15*10mm	

14



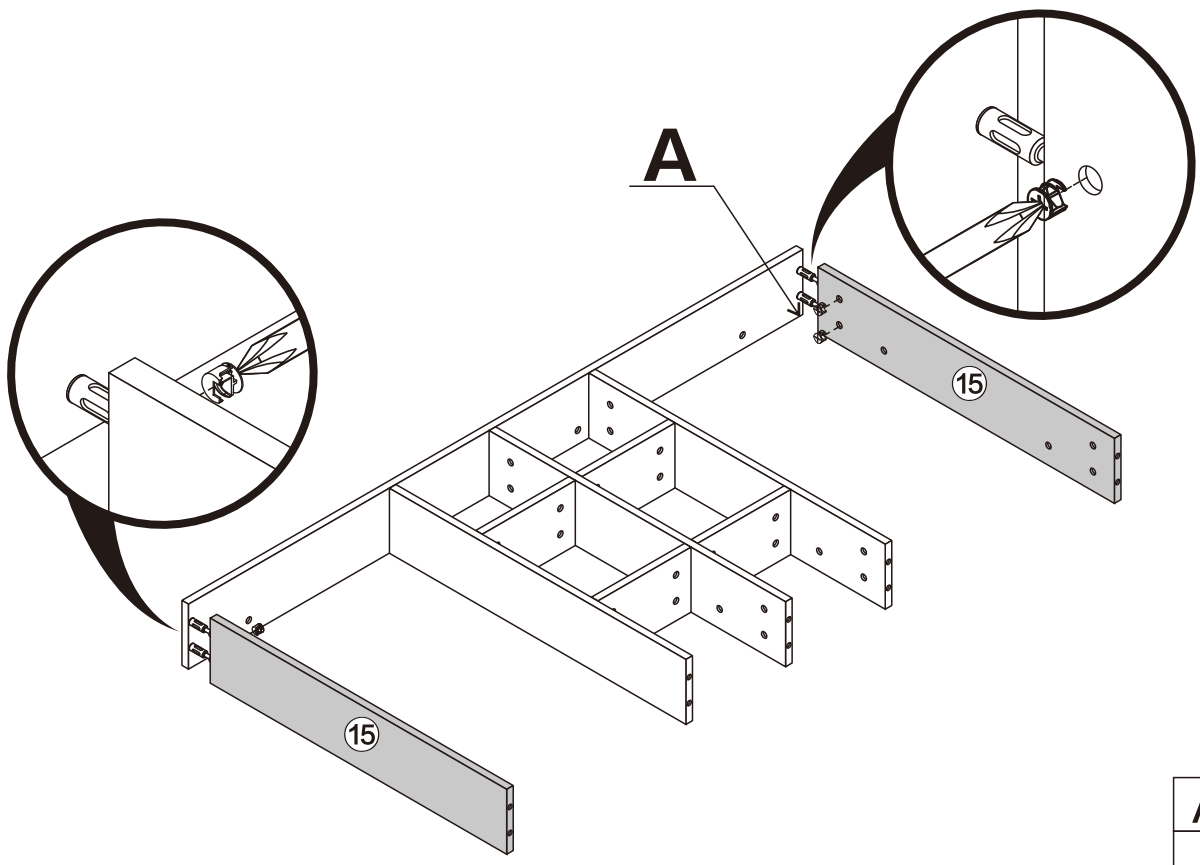
A	16PCS
15*10mm	


15



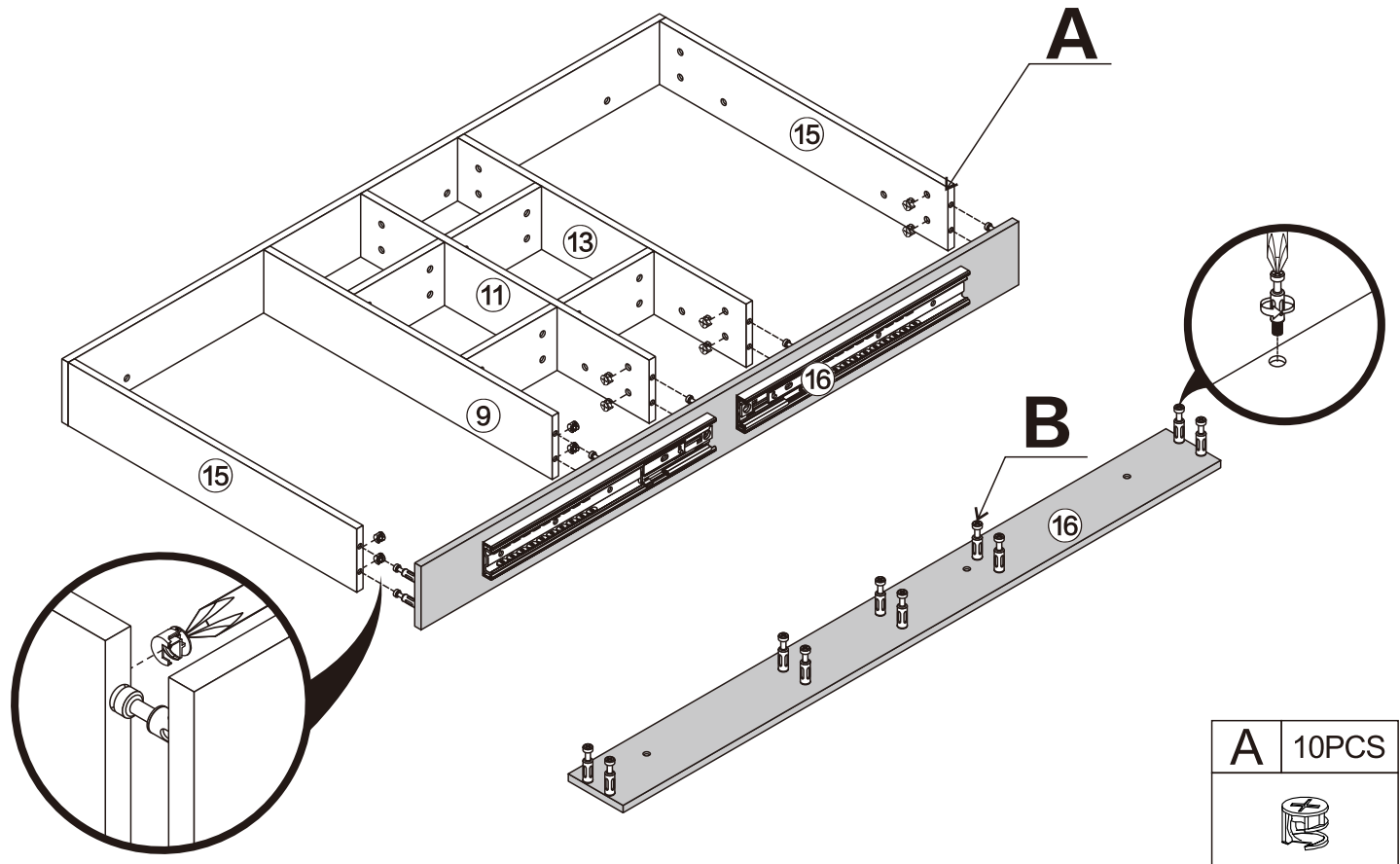
A	6PCS
15*10mm	


16



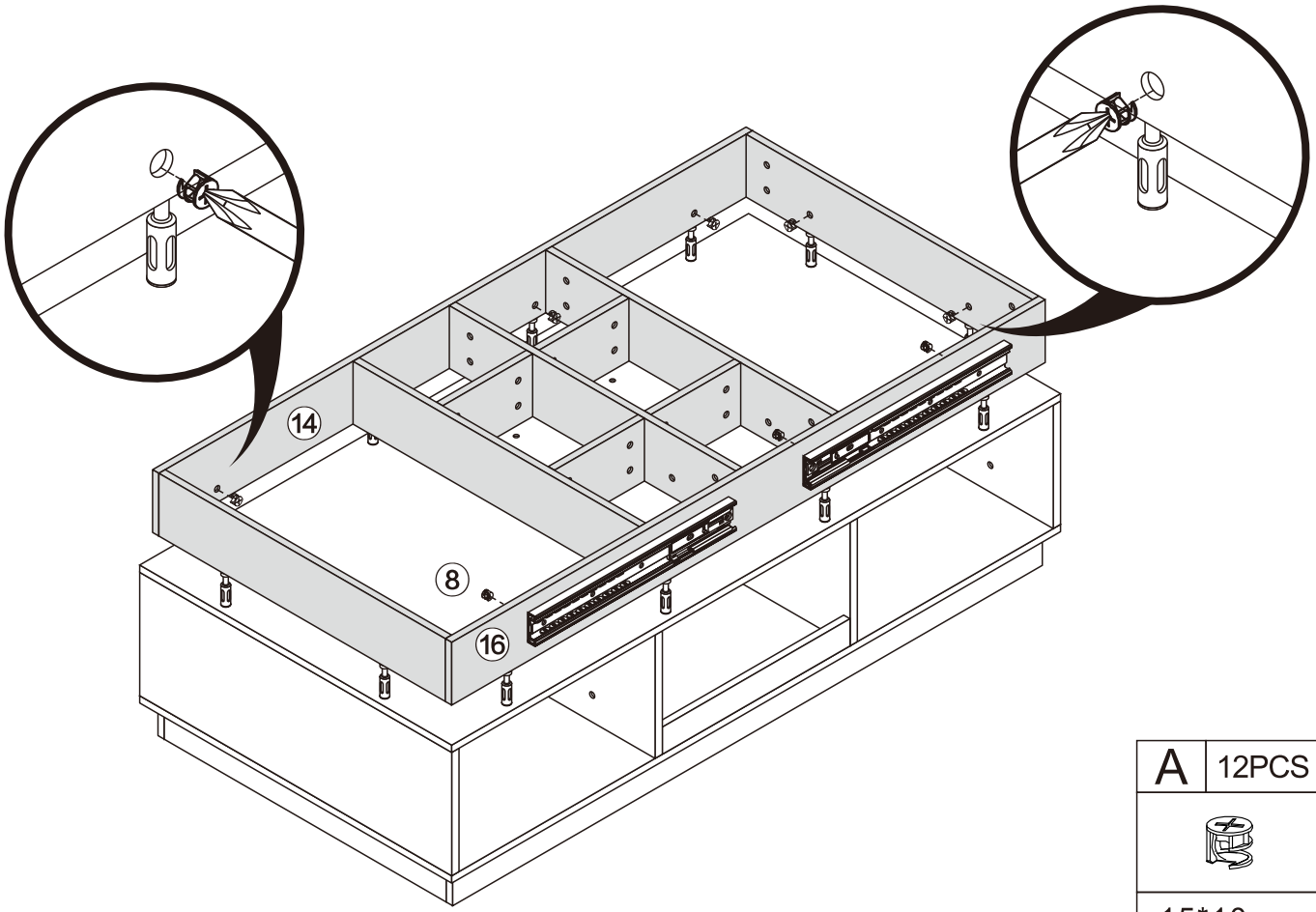
A	4PCS
	
15*10mm	


17



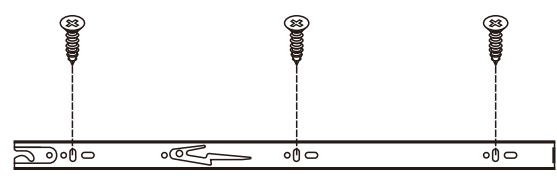
A	10PCS
	
15*10mm	

18

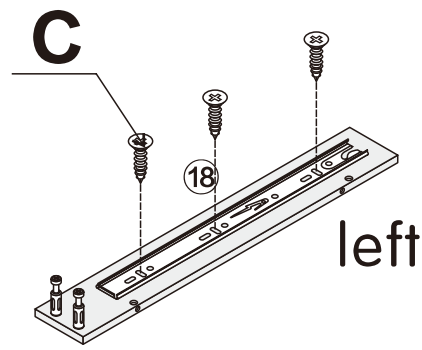
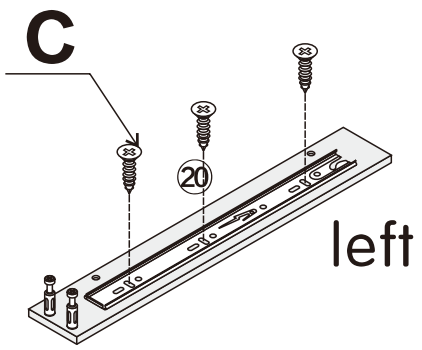
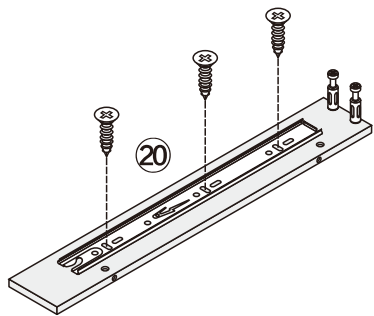
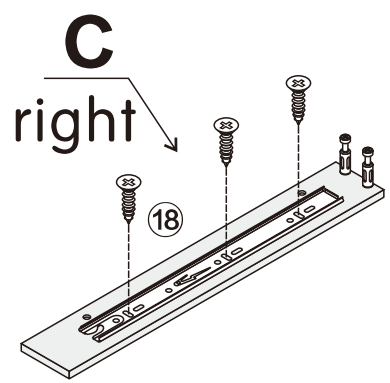



A	12PCS
	
15*10mm	


19



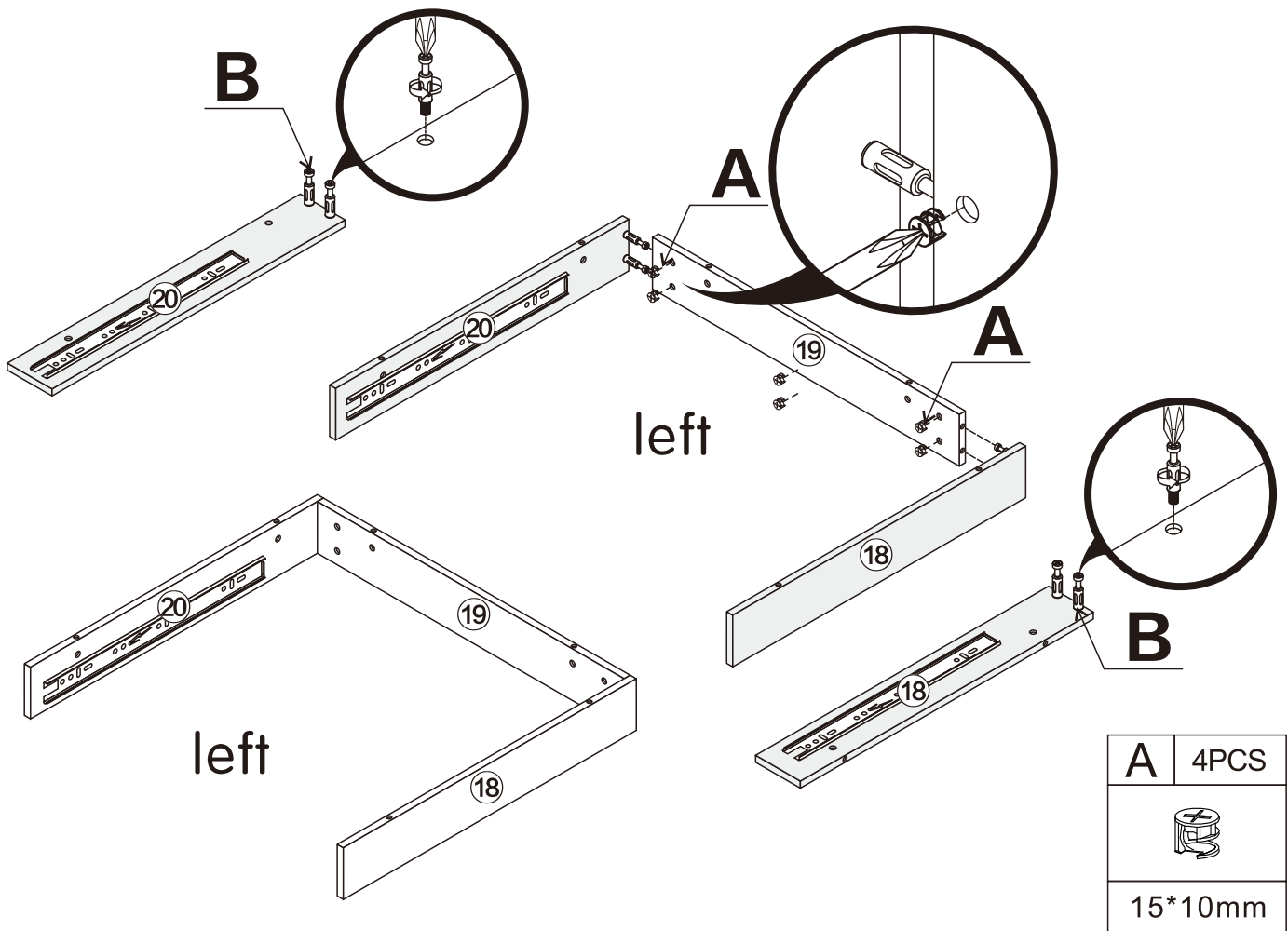
$D_2 \times 4$   
 $C \times 12$



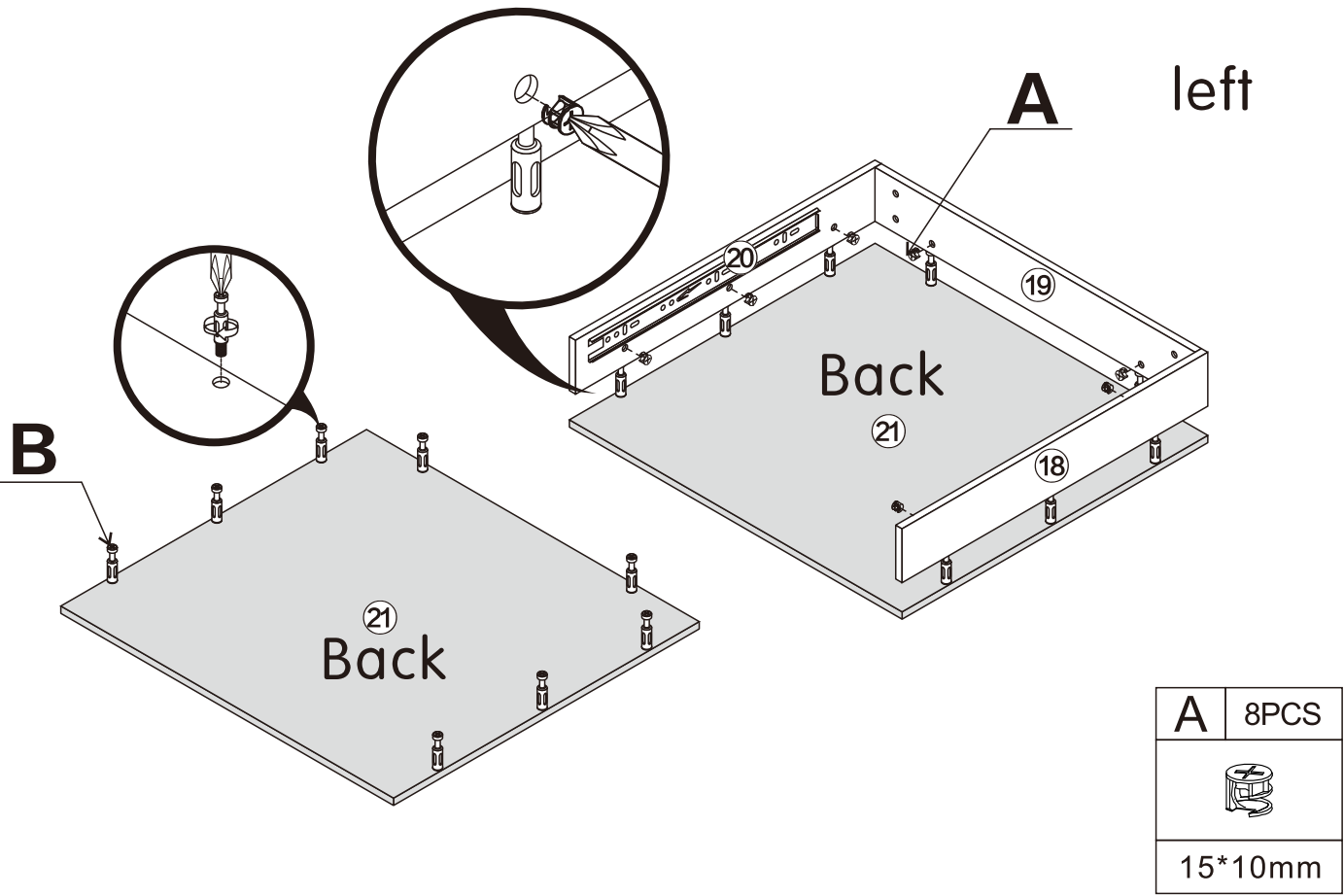
C	12PCS
	
3.5*14mm	

$D_2$	4PCS
	
Three-section Rail	

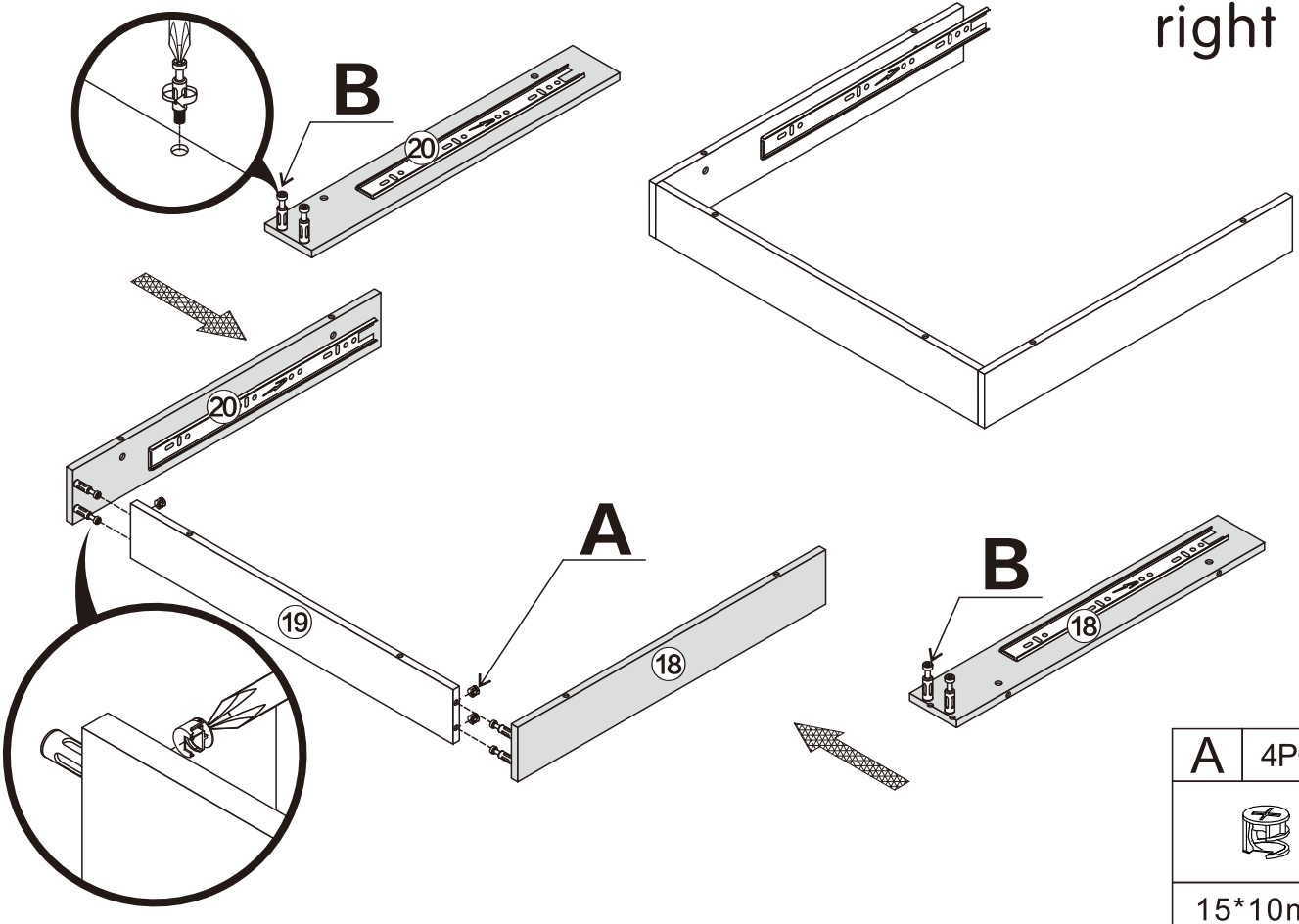
20



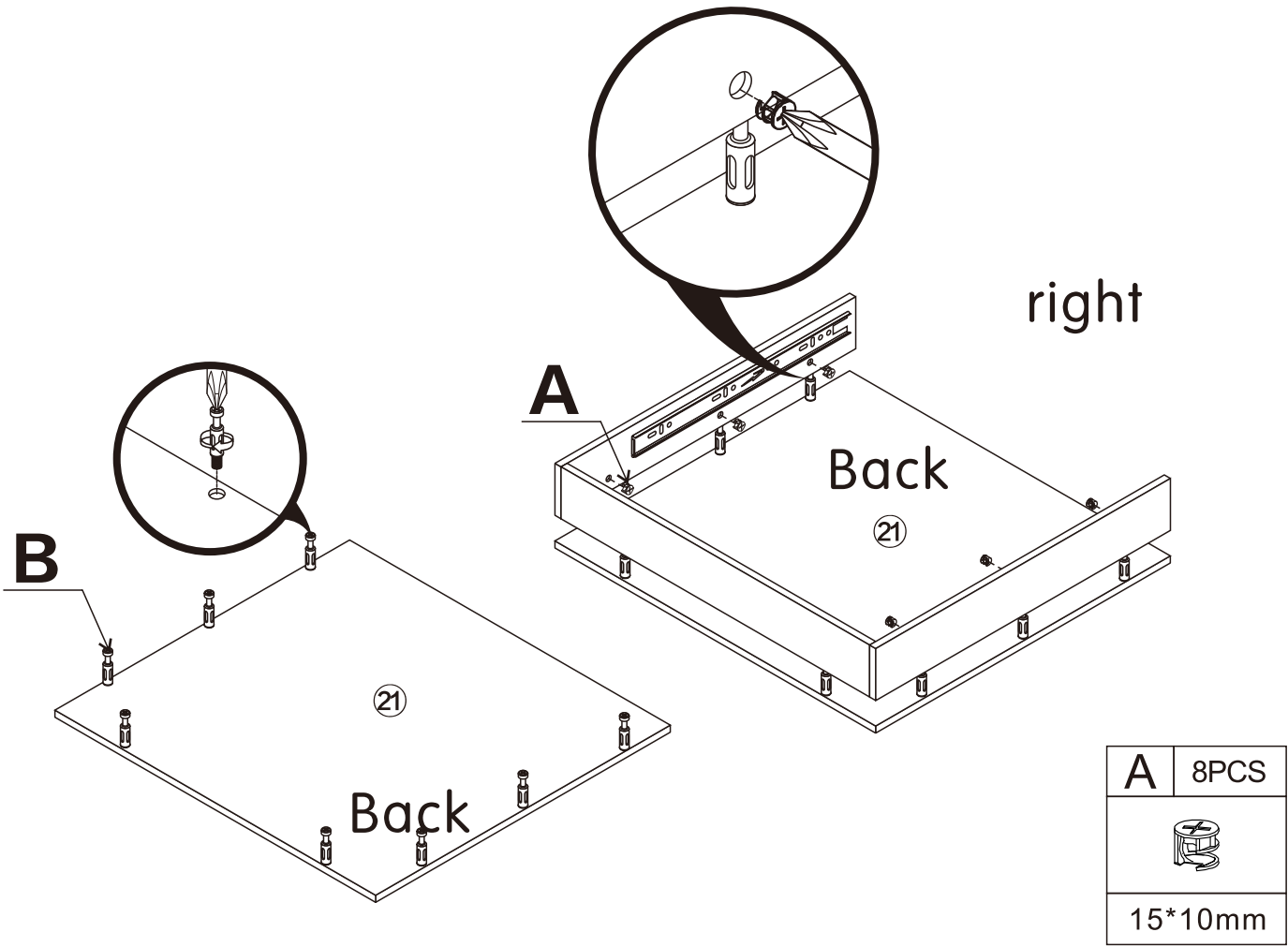
21

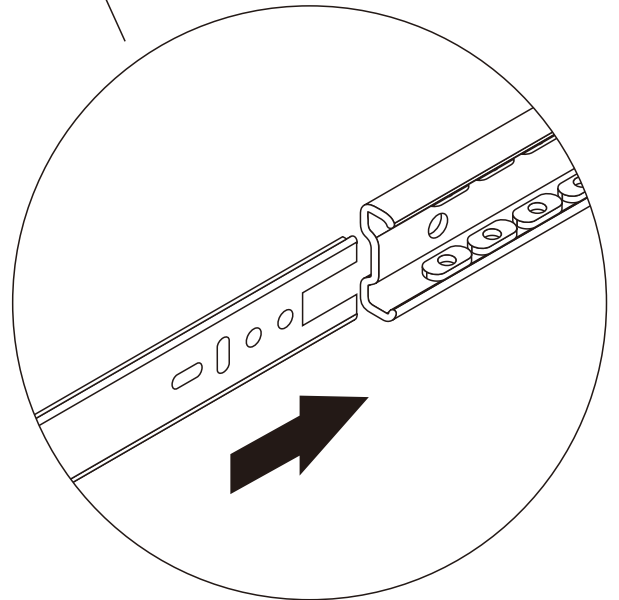
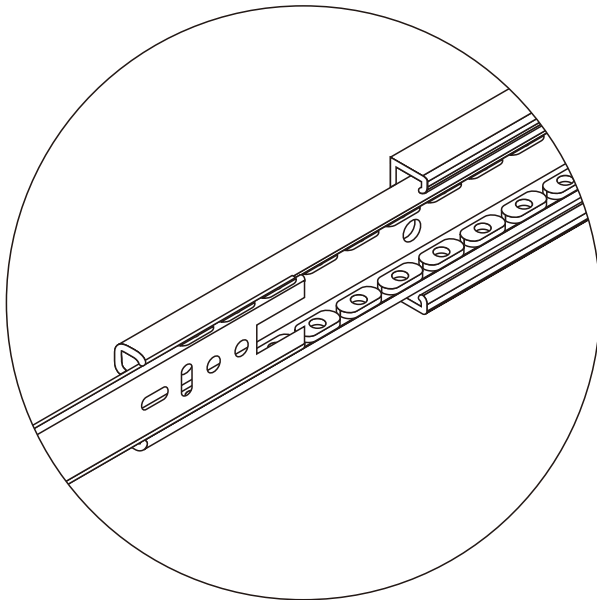
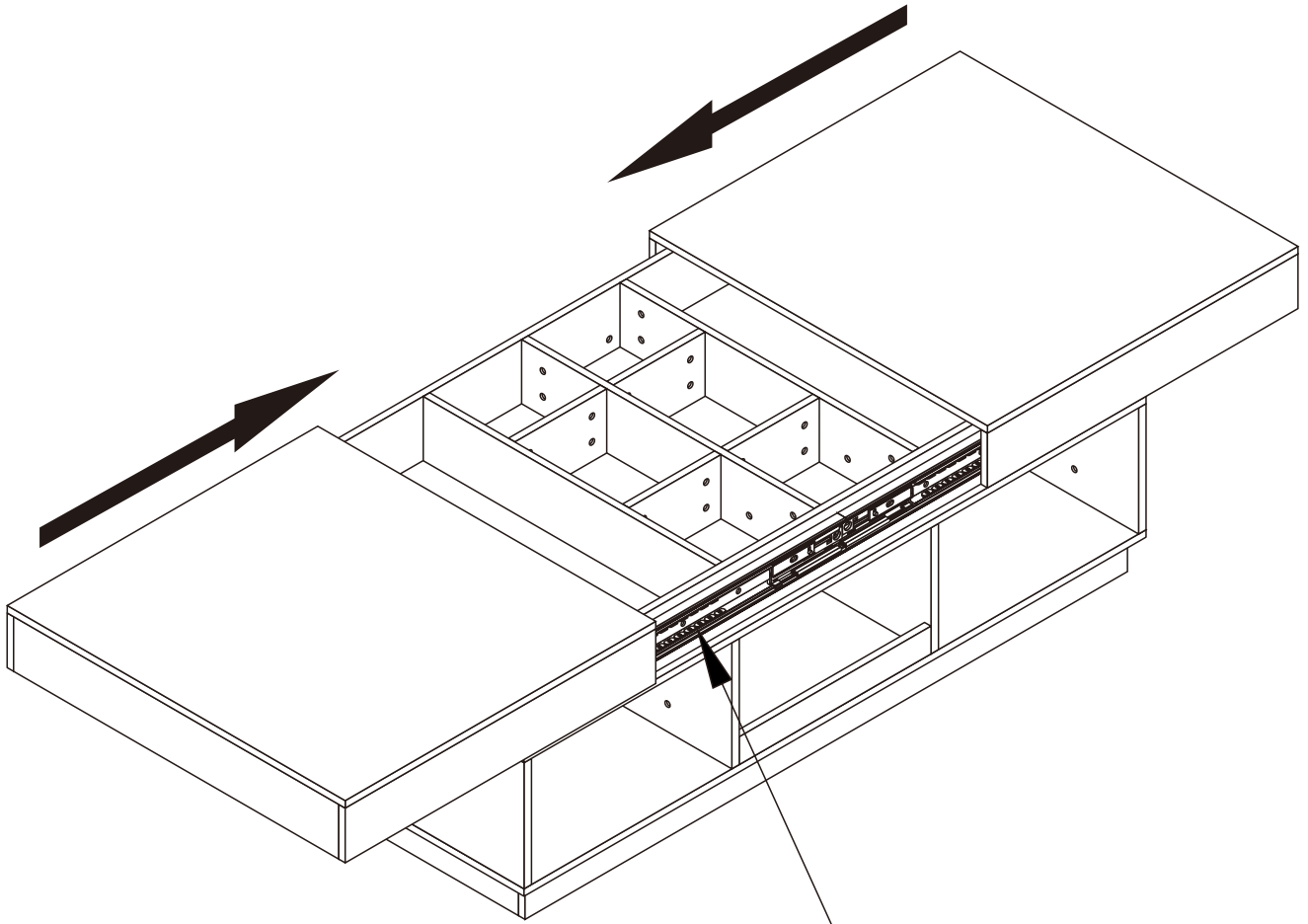


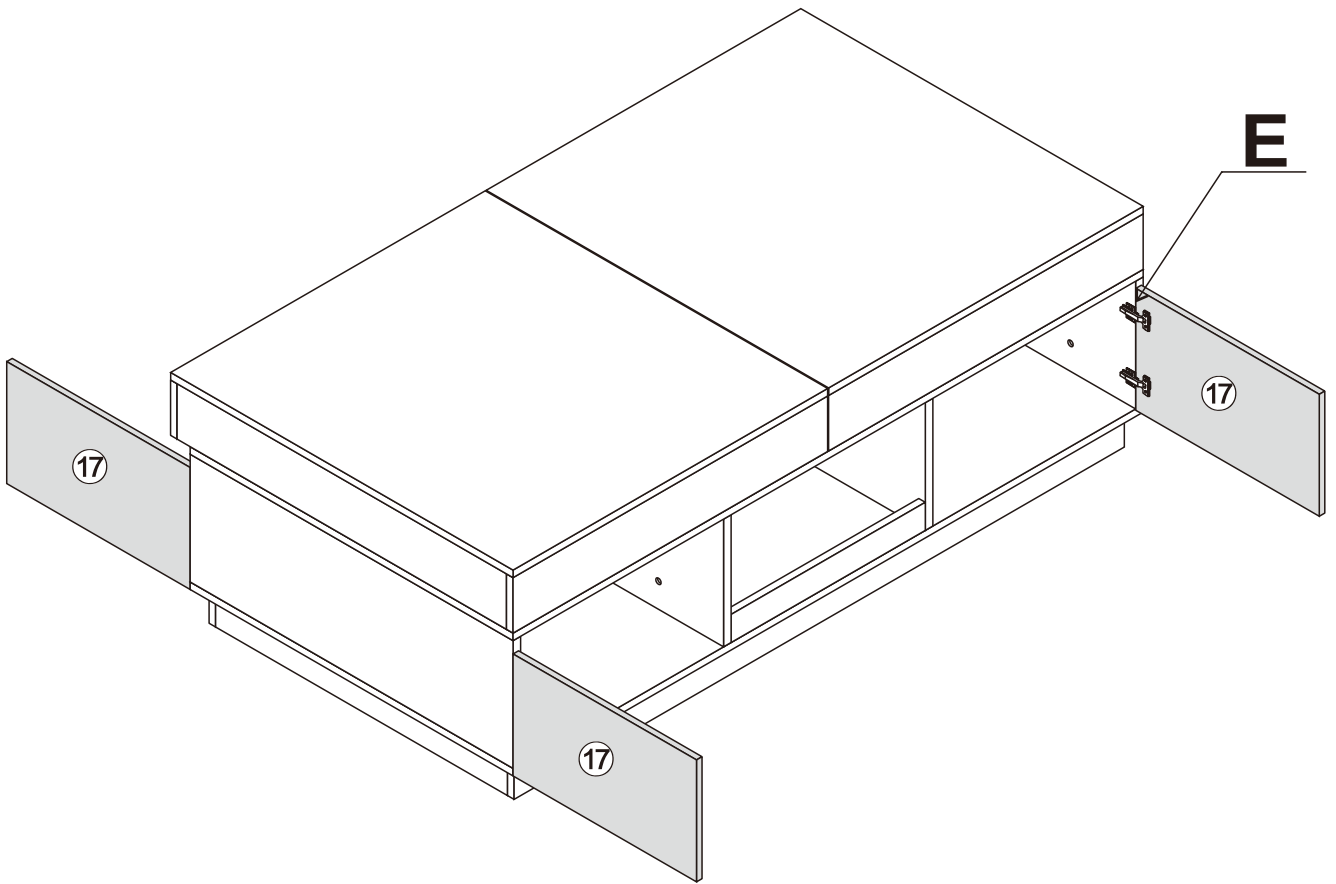
22




23









# OK!

<b>C</b>	16PCS
	
3.5*14mm	

<b>E</b>	8PCS
	

<b>G</b>	32PCS
	
4*12mm	

