

#### PRODUCT SPECIFICATIONS

Bubbler Kit Vandal-Resistant. Overall dimensions are 1-1/2" x 1-1/2" x 2-1/2". Made of Chrome-plated Brass.

<b>Material:</b>	Chrome-plated Brass
<b>Finish:</b>	Chrome (CR)
<b>Dimensions:</b>	1-1/2" x 1-1/2" x 2-1/2"
<b>Shipping Weight:</b>	5 lbs.

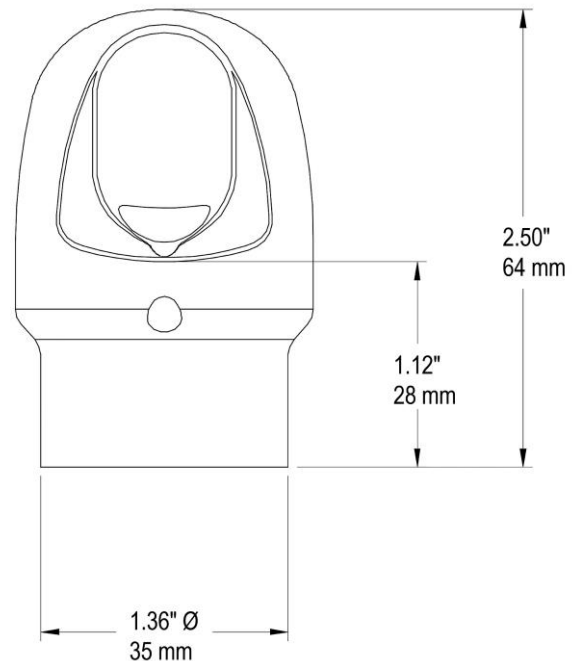
- Vandal-resistant.
- One-piece construction bubbler for use with our water coolers, bottle filling stations and drinking fountains.
- Chrome-plated.
- Able to be keyed into position to prevent rotation.
- Complements styling of the cooler.



**Included with Product:** Bubbler,  
Nipple,  
Gasket & Tubing

AMERICAN PRIDE. A LIFETIME TRADITION.  
Like your family, the Elkay family has values and traditions that endure. For almost a century, Elkay has been a family-owned and operated company, providing thousands of jobs that support our families and communities.

[Installation Instructions \(PDF\)](#)



PART: \_\_\_\_\_ QTY: \_\_\_\_\_

PROJECT: \_\_\_\_\_

CONTACT: \_\_\_\_\_

DATE: \_\_\_\_\_

NOTES: \_\_\_\_\_

APPROVAL: \_\_\_\_\_

*In keeping with our policy of continuing product improvement, Elkay reserves the right to change product specifications without notice. Please visit [elkay.com](http://elkay.com) for the most current version of Elkay product specification sheets. This specification describes an Elkay product with design, quality, and functional benefits to the user. When making a comparison of other producers' offerings, be certain these features are not overlooked.*